

**BELLA**

**6 QT. PROGRAMMABLE  
SLOW COOKER  
MIJOTEUSE  
PROGRAMMABLE DE 5,7 L  
OLLA DE COCCIÓN LENTA  
PROGRAMABLE DE  
6 CUARTOS**



Instruction Manual  
Recipe Guide

Manuel d'instructions  
Guide de recettes

Manual de instrucciones  
Guía de recetas

Register your product and get support at:  
Pour vous inscrire et obtenir l'aide de votre produit:  
Para registrar y obtener asistencia de su producto ir:

[www.bellahousewares.com](http://www.bellahousewares.com)

Download from [www.Somanuals.com](http://www.Somanuals.com). All Manuals Search And Download.



## Table of Contents

Important Safeguards.....	2
Additional Important Safeguards.....	3
Notes on the Plug.....	3
Notes on the Cord.....	3
Plasticizer Warning.....	3
Electric Power.....	3
Getting to Know Your 6 Quart Programmable Slow Cooker.....	4
Introduction to Programmable Slow Cooking.....	5
Before Using for the First Time.....	5
Stoneware Pot Care.....	5
Operating Instructions.....	6
Hints for Slow Cooking.....	6-7
User Maintenance Instructions.....	7
Cleaning Instructions.....	7
Storing Instructions.....	7
6 Qt. Slow Cooker Cooking Chart.....	8
Recipes.....	9
Warranty.....	10

## Table des matières

Consignes de sécurité importantes.....	11
Autres consignes de sécurité importantes.....	12
Remarques sur le fiche.....	12
Remarques sur la cordon.....	12
Avertissement de migration de plastifiants.....	12
Alimentation électrique.....	12
Caractéristiques de la mijoteuse programmable.....	13
Introduction à la cuisson lente programmable.....	14
Avant la première utilisation.....	14
Entretien de la cuve en grès.....	14
Mode d'emploi.....	15
Conseils pour la cuisson lente.....	16
Réparation.....	16
Directives de nettoyage.....	16-17
Rangement.....	17
Tableau de cuisson lente – Mijoteuse de 5,7 L.....	17
Recettes.....	18
Garantie.....	19

## Índice

Medidas de seguridad importantes.....	20
Otras medidas de seguridad importantes.....	21
Notas sobre el enchufe.....	21
Notas sobre el cable.....	21
Advertencia sobre los plastificantes.....	21
Corriente eléctrica.....	21
Introducción a la olla de cocción lenta programable de 6 cuartos.....	22
Introducción a la cocción lenta programable.....	23
Antes de utilizar por primera vez.....	23
Cuidado de la cacerola de cerámica de gres.....	23
Instrucciones de funcionamiento.....	24
Consejos para la cocción lenta.....	25
Instrucciones de mantenimiento para el usuario.....	25
Instrucciones de limpieza.....	25-26
Instrucciones de almacenamiento.....	26
Tabla de cocción de la olla de cocción lenta de 6 cuartos.....	26
Recetas.....	27
Garantía.....	28

# IMPORTANT SAFEGUARDS

When using electrical appliances, basic safety precautions should always be followed, including the following:

1. **READ ALL INSTRUCTIONS.**
2. Do not touch hot surfaces. Use handles or knobs.
3. To protect against electrical shock, do not immerse cord, plugs or appliance in water or other liquid.
4. This appliance is not intended for use by persons (including children) with reduced physical, sensory or mental capabilities, or lack of experience and knowledge, unless they have been given supervision or instruction concerning use of the appliance by a person responsible for their safety.
5. Close supervision is necessary when any appliance is used by or near children.
6. Unplug from outlet when not in use and before cleaning. Allow to cool before putting on or taking off parts.
7. Do not operate any appliance with a damaged cord or plug or after the appliance malfunctions or has been damaged in any manner. Bring it to a qualified technician for examination, repair or electrical or mechanical adjustment.
8. The use of accessory attachments not recommended by the appliance manufacturer may cause injuries.
9. Do not use outdoors.
10. Do not let cord hang over edge of table or counter, or touch hot surfaces.
11. Do not place on or near a hot gas or electric burner, or in a heated oven.
12. Extreme caution must be used when moving an appliance containing hot oil or other hot liquids.  
**CAUTION:** To protect against damage or electric shock, do not cook in the base unit. Cook only in the stoneware pot provided.
13. To disconnect, press the STOP button, then remove plug from wall outlet.
14. Do not use appliance for other than intended use.
15. Avoid sudden temperature changes, such as adding refrigerated foods into a heated stoneware pot.
16. Do not use stoneware pot or glass lid if chipped, cracked, or severely scratched.

**FOR HOUSEHOLD USE ONLY**  
**SAVE THESE INSTRUCTIONS**

# ADDITIONAL IMPORTANT SAFEGUARDS

**CAUTION, HOT SURFACES:** This appliance generates heat and escaping steam during use. Proper precautions must be taken to prevent the risk of burns, fires or other injury to persons or damage to property.

1. A person who has not read and understood all operating and safety instructions is not qualified to operate this appliance. All users of this appliance must read and understand this instruction manual before operating or cleaning this appliance.
2. If this appliance falls or accidentally becomes immersed in water, unplug it from the wall outlet immediately.  
**Do not reach into the water!**
3. When using this appliance, provide adequate air space above and on all sides for air circulation. Do not operate this appliance while it is touching or near curtains, wall coverings, clothing, dish towels or other flammable materials.
4. Do not leave this appliance unattended during use.
5. If this appliance begins to malfunction during use, immediately unplug the cord. Do not use or attempt to repair a malfunctioning appliance!
6. The cord to this appliance should be plugged into a 120V AC electrical wall outlet.
7. Do not use this appliance in an unstable position.
8. Never use the stoneware pot on a gas or electric cook top or on an open flame, or in a heated oven.
9. Lift off lid carefully to avoid scalding, and allow water to drip into stoneware pot.

## Notes on the Plug

This appliance has a polarized plug (one blade is wider than the other). To reduce the risk of electric shock, this plug will fit in a polarized outlet only one way. If the plug does not fit fully into the outlet, reverse the plug. If it still does not fit, contact a qualified electrician. Do not modify the plug in any way.

## Notes on the Cord

The provided short power-supply cord (or detachable power-supply cord) should be used to reduce the risk resulting from becoming entangled in or tripping over a longer cord. Do not use an extension cord with this product.

## Plasticizer Warning

**CAUTION:** To prevent Plasticizers from migrating from the finish of the counter top or table top or other furniture, place NON-PLASTIC coasters or place mats between the appliance and the finish of the counter top or table top. Failure to do so may cause the finish to darken; permanent blemishes may occur or stains can appear.

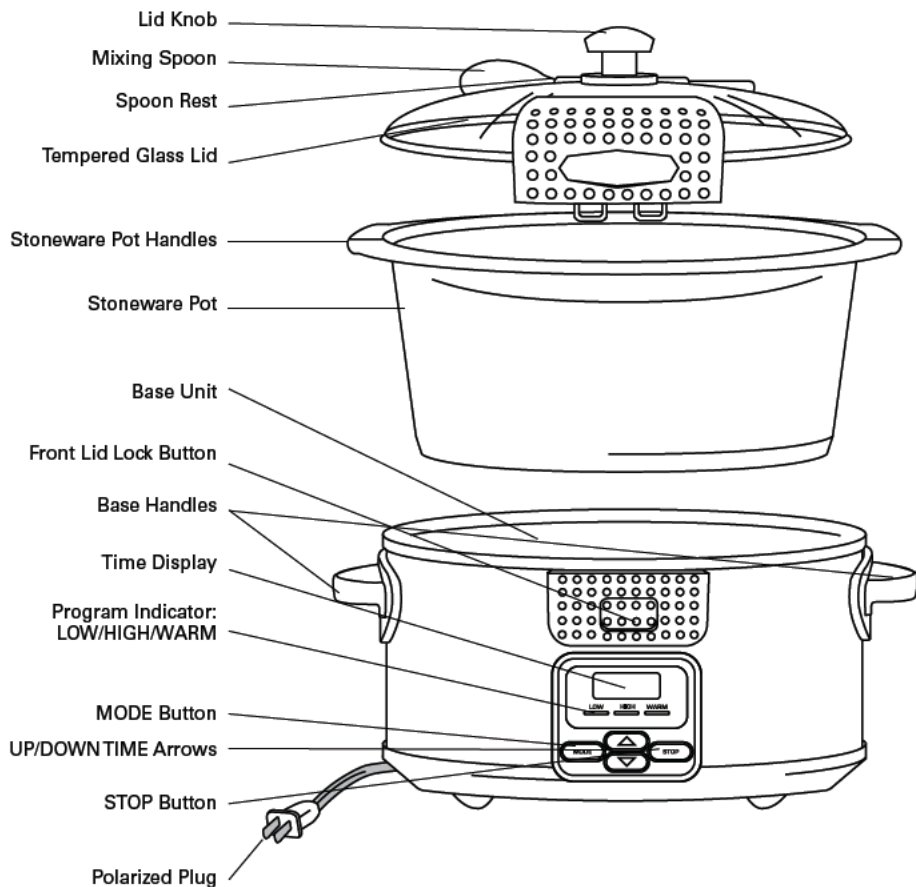
## Electric Power

If the electrical circuit is overloaded with other appliances, your appliance may not operate properly. It should be operated on a separate electrical circuit from other appliances.

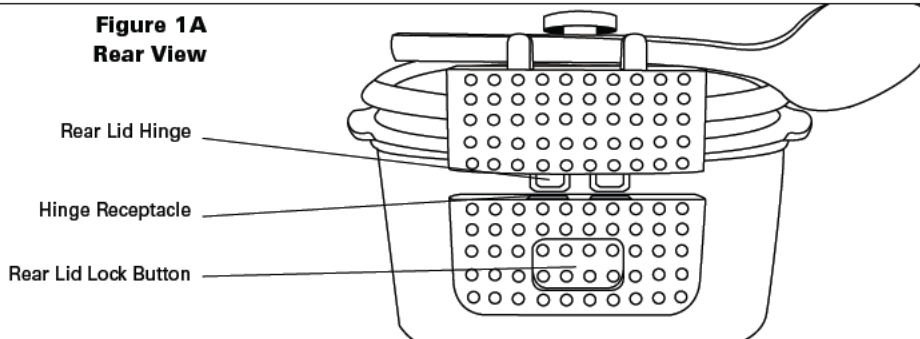
# Getting To Know Your 6 Quart Programmable Slow Cooker

Product may vary slightly from illustration

**Figure 1**



**Figure 1A  
Rear View**



## Introduction to Programmable Slow Cooking

At last! A Slow Cooker pretty enough to cook and serve in...with a convenient place to keep the mixing/serving spoon! This Programmable Slow Cooker can operate at LOW all day or night, up to 20 hours... with an easy-to-read digital count-down timer to turn the appliance OFF automatically. No more over-cooked slow cooked meals! The front and back locked lid seals tight for spill-proof travel.

**NOTE:** When slow cooking on HIGH setting, it is very much like a covered pot on the stove top. Foods will cook on HIGH in about half the time required for LOW cooking. Additional liquid may be required as foods do boil on HIGH.

### Before Using for the First Time

1. Carefully unpack your Programmable Slow Cooker. Remove all packaging and materials from the stoneware pot, lid, and mixing spoon.
2. It is necessary to operate the Programmable Slow Cooker once before placing food in the stoneware pot.
3. **Open the locking lid.** Press front lid lock button, then use the lid handle to open the Slow Cooker lid.
4. Pour 4 cups of water into the stoneware pot.
5. Close the glass lid. An audible click can be heard as the lid locks into position.
6. Plug into a 120V AC outlet. The screen will begin to flash until the unit is programmed.
7. Press the MODE selector button until the HIGH program indicator illuminates on the screen. Press the TIME program **+** button until "0:30" appears on the time display. The Slow Cooker will begin to heat in 2 seconds.  
**NOTE:** You may notice a slight odor; this is normal and should quickly disappear.
8. When the cooking time expires (00:00), the warm setting will flash for 5 seconds and then will activate the keep warm mode for 4 hours.  
**NOTE:** Press the STOP button at any time to turn the Programmable Slow Cooker OFF.
9. Unplug the Slow Cooker and allow the unit to cool.
10. Press front lid lock button, then use the lid handle to open the hinged Slow Cooker lid. Wearing oven mitts, grasp the pot handles carefully to lift and remove the stoneware pot from the base unit; empty the water from the stoneware pot.
11. Wash the stoneware pot and mixing spoon in mild dish washing soap. Use a lightly soaped sponge to clean the glass lid. Rinse and dry all parts thoroughly. Replace stoneware pot inside the base unit. Set mixing spoon onto the spoon rest behind the lid.

### Stoneware Pot Care

Like any ceramic, the stoneware pot may crack or break if not properly handled.

**To prevent damage, handle with care!**

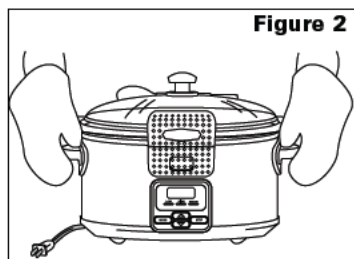
**WARNING:** Failure to follow these instructions can cause breakage resulting in injury or property damage.

- ALWAYS USE POTHOLDERS OR OVEN MITTS WHEN HANDLING HOT STONEWARE.
- DO NOT place hot stoneware pots on counter top. Use a protective trivet.
- DO NOT place stoneware pot on any range top burner, under a broiler, microwave browning element, in a heated oven or in a toaster oven.
- DO NOT strike utensils against rim of stoneware pot to dislodge food.
- DO NOT use stoneware pot to pop corn, caramelize sugar, or make candy.
- DO NOT use abrasive cleaners, scouring pads, or any object that will scratch the cookware or accessories.
- DO NOT use or repair any pot or lid that is chipped, cracked, or broken.
- DO NOT use stoneware pot for reheating foods or for general food storage.
- Always place foods into the stoneware pot at room temperature; then place pot into the base unit before turning unit ON.
- NEVER heat the stoneware pot when it is empty.

## Operating Instructions

**NOTE:** When serving from the Programmable Slow Cooker, always place a trivet or protective padding under the pot before placing it on a table or counter top.

1. Prepare recipe ingredients according to instructions.
2. Press front lid lock button, then use the lid handle to open the Slow Cooker lid.
3. Place food into the stoneware pot. **DO NOT FILL THE POT TO THE TOP WITH FOOD.** For best results, the Slow Cooker should be at least half-filled. When cooking soups or stews, allow a 2 inch space between the food and the top of the cooking pot, so ingredients can come to a simmer.  
**NOTE:** When cooking a meat and vegetable combination, place the vegetables in the bottom of the stoneware pot first. Then add the meat and other ingredients.  
**NOTE:** When cooking on HIGH, check cooking progress, as some soups may come to boil. Remember that frequent lifting of the lid during cooking delays the cook time.  
**WARNING:** The stoneware pot **CANNOT** stand the shock of sudden temperature changes. If the pot is hot, **DO NOT** add cold food. Before cooking frozen food, add some warm liquid.
4. Plug into a 120V AC outlet. The screen will begin flashing until the unit is programmed.
5. Following recipe instructions press the MODE button until the desired HIGH or LOW program indicator illuminates on the screen.  
**NOTE:** Use the WARM function to reheat or keep cooked food warm.
6. Press the TIME program UP button and "0:30" (30 minutes) will appear on the TIME display. Continue to press the + or - button until the target cook TIME is displayed. The Programmable Slow Cooker can be programmed in half hour (30 minute) increments from "0:30" (30 minutes) to "20:00" (20 hours). After 2 seconds, the Slow Cooker will begin to heat.  
**NOTE:** Press the + or - buttons to adjust target cook TIME at any time while the Slow Cooker is cooking.  
**NOTE:** If the LOW or HIGH MODE is selected without entering a cook time the Programmable Slow Cooker will heat by default for a time of "08:00" (8 hours) in LOW setting and "04:00" (4 hours) in HIGH.  
**NOTE:** Press the STOP button at any time to turn the Programmable Slow Cooker OFF.
7. The TIME on the display will begin to count down in minutes until "0:00" minutes is shown.; cook time is complete. When the cooking time expires (00:00), the warm setting will flash for 5 seconds and then will automatically activate the keep warm mode for 4 hours.  
**NOTE:** Press the STOP button at any time to turn the Programmable Slow Cooker OFF
8. Press front lid lock button, then use the lid handle to open the hinged Slow Cooker lid.
9. Allow a few seconds for all steam to escape. Inspect and test food for doneness and adjust seasonings if needed.
10. To manually select the warm setting, press the MODE button until WARM is illuminated. The Programmable Slow Cooker will WARM by default for "04:00" (4 hours).  
**NOTE:** Press the STOP button at any time to turn the Programmable Slow Cooker OFF.
11. Place the mixing spoon in the spoon rest and serve directly from the stoneware pot, if desired.  
**CAUTION:** The base unit will get very warm during cooking. This is where the heating elements are located. When moving the Programmable Slow Cooker, grasp the unit by the base unit handles; use potholders or oven mitts. (See Figure 2.) **Even when turned OFF and unplugged, the Programmable Slow Cooker base unit remains hot for some time after using; set aside and allow unit to cool before cleaning or storing.**
12. Unplug from electrical outlet. Allow to cool completely before cleaning, see Cleaning Instructions.



## Hints for Slow Cooking

- Less tender, cheaper cuts of meat are better candidates for slow cooking than more expensive varieties.
- Meats will not brown during the cooking process. Browning fatty meats will reduce the amount of fat and help to preserve color while adding richer flavor. Heat a small amount of oil in a skillet and brown meats prior to putting into the stoneware pot.
- Whole herbs and spices flavor better in slow cooking than crushed or ground.
- When cooking in a Slow Cooker, remember that liquids do not boil away like they do in conventional cooking. Reduce the amount of liquid in any recipe that is not designed for a Slow Cooker. The exceptions to this rule would be rice and soups. Remember, liquids can always be added at a later time if necessary. If a recipe results in too much liquid at the end of the cooking time, remove the cover and re-program the Slow Cooker to continue to cook HIGH for 1 hour (1:00). Check every 15 minutes until the amount of liquid is reduced. Press the STOP button when the desired consistency is achieved.
- Most recipes that call for uncooked meat and vegetables require about 6-8 hours on LOW temperature.



- The higher the fat content, the less liquid needed. If cooking meat with a high fat content, use thick onion slices under it so that the meat will not sit and cook in the fat. If necessary, use a slice of bread, a spoon, or a straining spoon to skim off excess fat from top of foods before serving.
- Foods cut into uniform pieces will cook faster and more evenly than foods left whole, such as roast or poultry.
- Always use a meat thermometer to determine if meats have been cooked to proper temperature.
- Root vegetables such as carrots, potatoes, turnips and beets require longer cooking time than many meats. Place them on the bottom of the Slow Cooker and cover with liquid. Check to see they are fork-tender when meat temperature is reached. Remove meat and continue cooking vegetables if necessary.
- Add fresh dairy products (milk, sour cream or yogurt) prior to serving. Evaporated milk or condensed creamed soups may be added at the start of cooking.
- Rice, noodles and pasta are not recommended for long cooking periods. Cook them separately and then add to the Slow Cooker during the last 30 minutes.

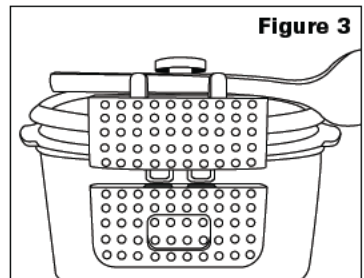
### User Maintenance Instructions

This appliance requires little maintenance. It contains no user serviceable parts. Do not try to repair it yourself. Any servicing requiring disassembly other than cleaning, must be performed by a qualified appliance repair technician.

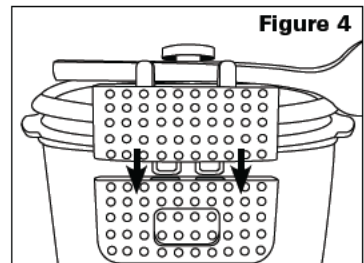
### Cleaning Instructions

**CAUTION: NEVER IMMERSE BASE UNIT OR CORD IN WATER OR OTHER LIQUID.**

1. Always unplug and allow to cool completely before cleaning.
2. Remove the locking lid. Press both the front and rear lid lock buttons. Lift the lid up and off the base unit.
3. The stoneware pot, tempered glass lid and mixing spoon may be cleaned in the dishwasher. To avoid damage, position the stoneware pot and glass lid in dishwasher rack so that it will not hit other items during cleaning. To clean by hand, wash the stoneware pot and glass lid in warm, soapy water.
4. Avoid sudden, extreme temperature changes. For example, do not place a hot stoneware pot into cold water or onto a wet surface.
5. Avoid hitting the stoneware pot and glass lid against the faucet or other hard surfaces. **CAUTION:** Do not use stoneware pot or glass lid if chipped, cracked, or severely scratched.
6. If food sticks to the stoneware pot, fill with warm soapy water and allow to soak before cleaning. A paste of baking soda may be used with a plastic scouring pad.
7. To remove water spots or mineral deposits, wipe pot with distilled white vinegar. For difficult stains, pour a small amount into the stoneware pot and allow to soak. Rinse and dry thoroughly.
8. Wipe interior and exterior of the base unit with a soft, slightly damp cloth or sponge. Never use abrasive cleansers or scouring pads to clean the base unit, as they may damage the surfaces.
9. **Replace the locking lid.** Insert both rear lid lock posts into the hinge receptacle in the back of the base unit. (See Figure 4.)



**Figure 3**



**Figure 4**

### Storing Instructions

1. Be sure all parts are clean and dry before storing.
2. Store Programmable Slow Cooker with stoneware pot inside base unit, and the tempered glass lid locked. Store assembled unit in its box or in a clean, dry place.
3. Never store Programmable Slow Cooker while it is hot or wet.
4. Never wrap cord tightly around the appliance; keep it loosely coiled.

## 6 Qt. Slow Cooker Cooking Chart

**NOTE:** This chart is intended as a general guide. Please check temperatures with a meat thermometer and follow USDA food safety guidelines listed below.

Food	Weight LBS	Weight KGS	LOW/Timer	HIGH/Timer
Beef Roast	3 lbs	1.3 kg	3:00 - 4:00	1:30
Beef Brisket	4-5 lbs	1.8-2.2 kg	8:00	6:00
Turkey Breast	5-6 lbs	2.3-2.7 kg	6:00 - 7:00	3:00 - 4:00
Whole Chicken	4-6 lbs	1.8-2.7 kg	6:00	4:00
Chicken Pieces, bone-in	3-4 lbs	1.3-1.8 kg	4:00 - 5:00	1:30
Fully Cooked Ham	6.5 lbs	3 kg	4:00 - 5:00	3:00
Pork Tenderloin	2-3 lbs	1-1.3 kg	2:00 - 3:00	1:30 - 2:00
Pork Roast	4-5 lbs	1.8-2.2 kg	4:00 - 5:00	2:00 - 2:30
Pork Chops	2-3 lbs	1-1.3 kg	5:00	2:00 - 3:00

## USDA Cooking Guidelines

**PLEASE NOTE:** The USDA recommends that meats such as beef and lamb, etc. should be cooked to an internal temperature of 145°F/63°C. Pork should be cooked to an internal temperature of 160°F/71°C and poultry products should be cooked to an internal temperature of 170°F/77°C - 180°F/82°C to be sure any harmful bacteria has been killed. When reheating meat/poultry products, they should also be cooked to an internal temperature of 165°F/74°C.

# Recipes

## Chipotle Maple Low & Slow Pulled Pork

**Cook:** 10:00 – 12:00 LOW, or 7:00 – 9:00 HIGH

**Serves** 6 - 10

- 1 (4 - 5 lb.) pork shoulder
- 10 cloves garlic
- 1 cup apple cider
- Salt and freshly ground pepper
- 6 – 10 crusty rolls, for serving (and dunking)

### **Chipotle Maple Sauce:**

- 1 cup maple syrup
- 6 chipotle peppers, seeded
- 1/4 cup ketchup
- 10 – 12 dried figs, chopped
- 4 apples, seeded and chopped
- 1/4 cup water
- 2 tablespoons salt

1. **Using a small, sharp knife, cut deep slits into all sides of the pork shoulder and bury 1 garlic clove in each slit.**
2. **In a large skillet, pan sear the pork shoulder on all sides in smoking oil over medium-high heat until a rich, brown exterior is achieved. Remove browned pork and set aside.**
3. **Deglaze the skillet with apple cider, making sure all flavorful brown bits are incorporated into the juice. Add cider and all Chipotle Maple Sauce ingredients to the stoneware pot. Mix until well combined.**
4. **Add the pork shoulder back to the stoneware pot. Close the lid.**
5. **Program the Slow Cooker for LOW; depending on the amount of food in the stoneware pot, set the TIME between 10:00 – 12:00 hours or cook on HIGH between 7:00 – 9:00 hours.**
6. **Pork is done when the meat falls apart. Strain liquid and degrease. Using 2 forks, pull pork into tasty strands of meat. Stuff rolls with pork and douse with sauce. Serve with sweet potato chips and baked beans.**

## BBQ Spare Ribs

For fabulous, rich, tasty BBQ pork spare ribs, the Programmable Slow Cooker is your best friend. Whether you finish these under the broiler or over a hot charcoal grill, these meaty ribs are good to the bone!

**Cook:** 5:00 – 6:00 HIGH

**Serves** 6 - 8

- 1-1/2 - 2 full slabs (4 – 5 lbs.) pork spare ribs, brisket removed
- Dry Rub
- 1 cup chili powder
- 2 tablespoons garlic powder
- 1 tablespoon onion powder
- 2 teaspoons cumin
- 4 tablespoons seasoned salt
- BBQ sauce, your choice

1. **Combine all dry rub ingredients in a small bowl. Mix well.**
2. **Remove sliver skin from the backside of the slabs, if desired. Cut into half slabs to fit the stoneware liner.**
3. **Rub ribs well with the dry rub. Reserve leftover rub. Wrap ribs in plastic and refrigerate 4 to 6 hours.**
4. **Program the Slow Cooker for HIGH; set the TIME between 5:00 – 6:00 hours. Add the ribs, close the lid, and allow to cook in the dry stoneware liner, until fork tender.**  
**IMPORTANT: Do not overcook, unless you want the meat to fall off the bones.**
5. **Remove ribs from stoneware liner to foil-lined baking sheet. Dust with remaining rub. Brush BBQ sauce generously onto both sides of the ribs and finish browning under the broiler or on a charcoal grill for 10 to 20 minutes per side.**



## Limited TWO-YEAR Warranty

SENSIO Inc. hereby warrants that for a period of **TWO YEARS** from the date of purchase, this product will be free from mechanical defects in material and workmanship, and for 90 days in respect to non-mechanical parts. At its sole discretion, SENSIO Inc. will either repair or replace the product found to be defective, or issue a refund on the product during the warranty period.

The warranty is only valid for the original retail purchaser from the date of initial retail purchase and is not transferable. Keep the original sales receipt, as proof of purchase is required to obtain warranty validation. Retail stores selling this product do not have the right to alter, modify, or in any way revise the terms and conditions of the warranty.

### **EXCLUSIONS:**

The warranty does not cover normal wear of parts or damage resulting from any of the following: negligent use of the product, use of improper voltage or current, improper routine maintenance, use contrary to the operating instructions, disassembly, repair, or alteration by anyone other than qualified SENSIO Inc. personnel. Also, the warranty does not cover Acts of God such as fire, floods, hurricanes, or tornadoes.

SENSIO Inc. shall not be liable for any incidental or consequential damages caused by the breach of any express or implied warranty. Apart from the extent prohibited by applicable law, any implied warranty of merchantability or fitness for a particular purpose is limited in time to the duration of the warranty. Some states, provinces or jurisdictions do not allow the exclusion or limitation of incidental or consequential damages, or limitations on how long an implied warranty lasts, and therefore, the above exclusions or limitations may not apply to you. The warranty covers specific legal rights which may vary by state, province and/or jurisdiction.

### **HOW TO OBTAIN WARRANTY SERVICE:**

You must contact Customer Service at our toll-free number: 1-866-832-4843. A Customer Service Representative will attempt to resolve warranty issues over the phone. If the Customer Service Representative is unable to resolve the problem, you will be provided with a case number and asked to return the product to SENSIO Inc. Attach a tag to the product that includes: your name, address, daytime contact telephone number, case number, and description of the problem. Also, include a copy of the original sales receipt. Carefully package the tagged product with the sales receipt, and send it (with shipping and insurance prepaid) to SENSIO Inc.'s address. SENSIO Inc. shall bear no responsibility or liability for the returned product while in transit to SENSIO Inc.'s Customer Service Center.

# CONSIGNES DE SÉCURITÉ IMPORTANTES

Respecter les consignes de sécurité de base au moment d'utiliser des appareils électriques, y compris les suivantes

1. **LIRE TOUTES LES DIRECTIVES.**
2. Ne pas toucher les surfaces chaudes. Ne se servir que des poignées ou des boutons de l'appareil.
3. Pour éviter les décharges électriques, ne pas immerger le cordon, la prise ou l'appareil dans de l'eau ou dans d'autres liquides.
4. Cet appareil n'est pas destiné à être utilisé par des personnes (y compris les enfants) dont les capacités physiques, sensorielles ou mentales sont limitées ou qui ne possèdent ni l'expérience ni les compétences nécessaires pour utiliser l'appareil, à moins qu'elles soient supervisées ou qu'elles aient reçu des directives d'utilisation adéquates de l'appareil par la personne responsable de leur sécurité.
5. Une supervision attentive est de rigueur lorsque l'appareil est utilisé par un enfant ou près de lui.
6. Débrancher l'appareil de la prise murale lorsqu'il n'est pas utilisé et avant de le nettoyer. Laisser refroidir l'appareil avant de poser ou d'enlever des pièces.
7. Éviter d'utiliser l'appareil si son cordon d'alimentation ou sa fiche électrique sont endommagés, ou si l'appareil est défectueux ou endommagé de quelque façon que ce soit. Confier plutôt son examen, sa réparation ou son réglage électrique ou mécanique à un technicien qualifié.
8. L'utilisation d'accessoires non recommandés par le fabricant de l'appareil peut causer des blessures.
9. Ne pas utiliser à l'extérieur.
10. Ne pas laisser le cordon pendre d'un bord de table ou d'un comptoir, ni entrer en contact avec une surface chaude.
11. Ne pas poser l'appareil sur un élément de cuisinière électrique ou à gaz, ni à proximité, ni dans un four chaud.
12. Être très prudent pendant le déplacement d'un appareil contenant de l'eau, de l'huile ou d'autres liquides chauds.  
**ATTENTION** : Pour prévenir les dommages et les décharges électriques, n'effectuer aucune cuisson directement dans l'unité de base. Ne cuire les aliments que dans la cuve en grès fournie.
13. Pour débrancher l'appareil, appuyer sur le bouton STOP, puis débrancher la fiche électrique de la prise de courant.
14. Ne pas utiliser l'appareil à une fin autre que celle pour laquelle il a été conçu.
15. Éviter les changements brusques de température, comme lors de l'ajout d'aliments réfrigérés dans la cuve de grès chauffée.
16. Ne pas utiliser la cuve de grès si le couvercle de verre est ébréché, fissuré ou sévèrement égratigné.

## POUR USAGE DOMESTIQUE SEULEMENT

## CONSERVER CES CONSIGNES

# AUTRES CONSIGNES DE SÉCURITÉ IMPORTANTES

**MISE EN GARDE! SURFACES CHAUDES :** Cet appareil dégage de la chaleur et de la vapeur pendant son utilisation. Prendre les précautions nécessaires pour prévenir les risques de brûlures, d'incendie, de blessures et de dommages matériels.

1. Une personne n'ayant pas lu et compris toutes les instructions en matière de fonctionnement et de sécurité n'est pas apte à faire fonctionner cet appareil. Tous les utilisateurs de cet appareil doivent lire et comprendre le mode d'emploi avant d'utiliser ou de nettoyer l'appareil.
2. Débrancher immédiatement l'appareil s'il tombe ou s'il est immergé accidentellement dans de l'eau ou dans un autre liquide.  
**Ne pas plonger la main dans l'eau!**
3. Pendant l'utilisation, veiller à ce qu'il y ait un dégagement suffisant au-dessus et autour de l'appareil pour assurer la circulation de l'air. Ne pas utiliser l'appareil s'il touche ou joute des rideaux, un revêtement mural, des vêtements, un linge à vaisselle ou toute autre matière inflammable.
4. Ne pas laisser l'appareil sans surveillance pendant son fonctionnement.
5. Si l'appareil se met à fonctionner anormalement, débrancher immédiatement le cordon. Ne pas utiliser ni tenter de réparer l'appareil défectueux.
6. Le cordon de l'appareil doit être branché dans une prise c.a. de 120 V.
7. Ne jamais utiliser l'appareil dans une position instable.
8. Ne jamais utiliser la cuve de grès directement sur une plaque de cuisson au gaz ou électrique ou sur une flamme nue, ni dans un four chaud.
9. Retirer prudemment le couvercle afin d'éviter les brûlures causées par la vapeur et laisser l'eau s'égoutter dans la cuve en grès.

## Remarques sur la fiche

Cet appareil est doté d'une fiche polarisée (une broche est plus large que l'autre). Pour réduire le risque de décharge électrique, la fiche s'insère d'une seule manière dans une prise polarisée. Si la fiche ne s'insère pas complètement dans la prise, la tourner pour l'insérer de l'autre côté. S'il est toujours impossible de l'insérer complètement dans la prise, communiquer avec un électricien qualifié.

Ne jamais modifier la fiche de quelque façon que ce soit.

## Remarques sur le cordon

Utiliser le cordon d'alimentation court (ou cordon d'alimentation amovible) fourni avec l'appareil afin de réduire le risque d'emmêlement ou de trébuchement que présente un cordon long. Ne pas utiliser de rallonge avec l'appareil.

## Avertissement de migration de plastifiants

**MISE EN GARDE :** Pour éviter la migration de plastifiants vers le fini de comptoirs, de tables ou de tout autre meuble, placer des sous-plats ou des napperons faits de matière NON PLASTIQUE entre l'appareil et le dessus du comptoir ou de la table. Si cette consigne n'est pas respectée, le fini de la surface pourrait noircir et des ternissures permanentes ou des taches indélébiles pourraient se former.

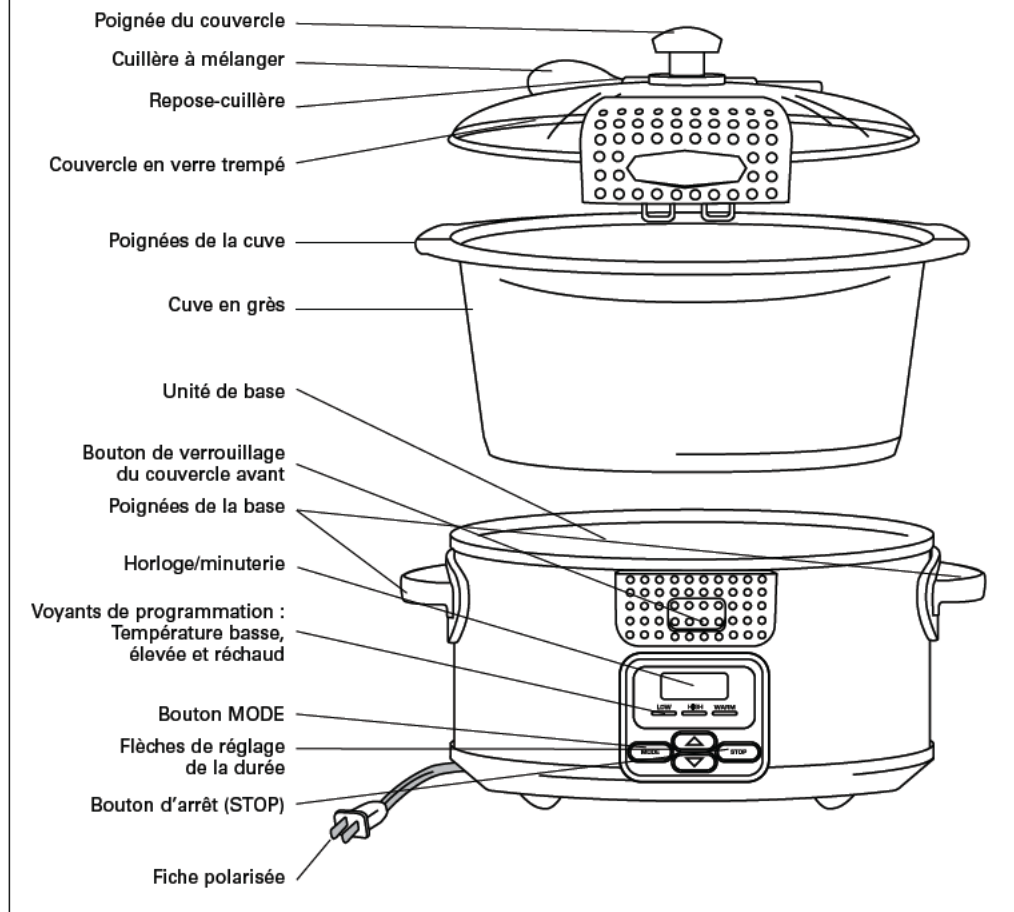
## Alimentation électrique

Si le circuit électrique est surchargé parce qu'il doit également alimenter d'autres appareils, cet appareil pourrait ne pas fonctionner correctement. Il doit être alimenté par un circuit électrique distinct de tout autre appareil.

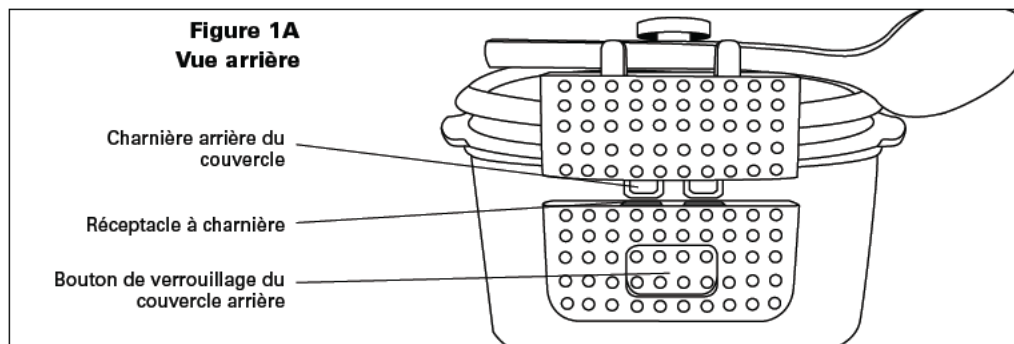
## Caractéristiques de la mijoteuse programmable

L'appareil peut différer légèrement de l'illustration.

**Figure 1**



**Figure 1A**  
**Vue arrière**



## Introduction à la cuisson lente programmable

Enfin, une mijoteuse assez attrayante pour cuisiner et effectuer le service... et qui comporte un espace pratique pour déposer la cuillère à mélanger ou de service! Cette mijoteuse programmable peut être utilisée à basse température toute la journée ou toute la nuit, jusqu'à concurrence de 20 heures... sans compter que sa minuterie numérique éteindra l'appareil automatiquement. Fini les repas mijotés trop cuits! Le couvercle se verrouille de façon étanche à l'avant et à l'arrière afin d'assurer des déplacements sans éclaboussures.

**REMARQUE :** Lorsque la mijoteuse est utilisée à température élevée, elle se comporte de façon très semblable à une casserole couverte sur la cuisinière. Les aliments cuiront à température élevée en environ la moitié du temps nécessaire pour la cuisson lente. Du liquide devra peut-être être ajouté en cours de cuisson, puisque les aliments bouillent à température élevée.

### Avant la première utilisation

1. Déballez la mijoteuse programmable avec soin. Retirez tous les éléments et matériaux d'emballage de la cuve en grès, du couvercle et de la cuillère à mélanger.
2. La mijoteuse programmable doit être utilisée une fois avant de faire cuire des aliments dans la cuve en grès.
3. **Ouvrir le couvercle verrouillable.** Appuyez sur le bouton de verrouillage du couvercle à l'avant, puis ouvrez le couvercle de la mijoteuse en tirant sur la poignée.
4. Verser 4 tasses d'eau dans la cuve en grès.
5. Fermer le couvercle de verre. Un clic sonore se fera entendre au moment où la plaque supérieure se verrouillera en place.
6. Brancher le cordon dans une prise électrique c.a. de 120V. L'écran commence à clignoter tant que l'appareil est programmé.
7. Appuyez sur le bouton de sélection de la température de cuisson (LOW, HIGH, WARM) jusqu'à ce que le voyant correspondant à la température élevée (H) s'allume. Appuyez sur le bouton **+** de la minuterie (TIME) jusqu'à ce que l'afficheur indique « 0:30 ». La mijoteuse commence à chauffer en deux secondes.  
**REMARQUE :** Une faible odeur peut se dégager de la mijoteuse. Ce phénomène est tout à fait normal et l'odeur devrait se dissiper rapidement.
8. Lorsque le temps de cuisson expire (00:00), le cadre chaleureux clignote pendant 5 secondes puis va activer le mode de maintien au réchaud (WARM) pendant 4 heures.  
**REMARQUE:** Appuyez sur le bouton d'alimentation (STOP) à tout moment de tourner la mijoteuse programmable OFF.
9. Débranchez la mijoteuse et laissez refroidir l'appareil.
10. Appuyez sur le bouton de verrouillage du couvercle avant, puis ouvrez le couvercle à charnière de la mijoteuse en tirant sur sa poignée. Après avoir enfilé des gants de cuisine, empoignez prudemment les poignées de la cuve de grès pour la soulever et la retirer de l'unité de base; vider l'eau de cuisson.
11. Laver la cuve de grès et la cuillère à mélanger avec un détergent à vaisselle doux. Utiliser une éponge légèrement savonneuse pour nettoyer le couvercle en verre. Rincer et sécher soigneusement toutes les pièces. Réinsérer la cuve de grès dans l'unité de base. Déposer la cuillère à mélanger sur le repose-cuillère situé à l'arrière du couvercle.

### Entretien de la cuve en grès

Comme tout article de céramique, la cuve en grès peut fissurer ou casser si elle n'est pas manipulée correctement. **Manipuler avec soin pour éviter les dommages!**

**AVERTISSEMENT :** Le non-respect de ces consignes peut entraîner des bris pouvant provoquer des blessures ou des dommages à la propriété.

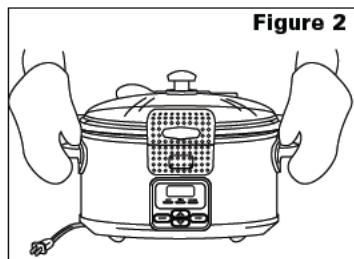
- TOUJOURS UTILISER DES POIGNÉES EN TISSU OU DES GANTS DE CUISINE POUR MANIPULER DES ACCESSOIRES EN GRÈS CHAUDS.
- NE PAS placer la cuve en grès chaude directement sur un comptoir. Utiliser un sous-plat.
- NE PAS déposer la cuve en grès sur un brûleur de cuisinière, sous le gril, sous un élément à brunir de four à micro-ondes, dans un four chaud ou dans un four grille-pain.
- NE PAS frapper le rebord de la cuve en grès avec des ustensiles pour déloger des aliments.
- NE PAS utiliser la cuve en grès pour préparer du maïs soufflé, caraméliser du sucre ou confectionner des bonbons.
- NE PAS utiliser de nettoyeurs, de tampons à recurer ou d'objets abrasifs qui égratigneront les récipients de cuisson ou les accessoires.
- NE PAS utiliser ni réparer une cuve ou un couvercle ébréché, fissuré ou brisé.  
NE PAS utiliser la cuve en grès pour réchauffer ou ranger des aliments.
- Toujours placer les aliments à la température de la pièce dans la cuve en grès; déposer ensuite la cuve dans l'unité de base avant de mettre la mijoteuse en marche.
- NE JAMAIS faire chauffer la cuve en grès à vide.



## Mode d'emploi

**REMARQUE :** Lorsque le service est effectué directement à partir de la mijoteuse programmable, toujours déposer un sous-plat ou une protection isolante sous la cuve avant de la déposer sur une table ou un comptoir.

1. Préparer les ingrédients de la recette selon les directives.
2. Appuyer sur le bouton de verrouillage du couvercle avant, puis ouvrir le couvercle de la mijoteuse en tirant sur la poignée.
3. Déposer les ingrédients dans la cuve en grès. **NE PAS REMPLIR LA MIJOTEUSE D'ALIMENTS JUSQU'AU REBORD.** Pour obtenir des résultats optimaux, la mijoteuse doit être au moins à moitié remplie. Pour la préparation de soupes ou de ragoûts, prévoir un dégagement de 6 cm (2 po) entre le contenu et le rebord du récipient de cuisson, de sorte que les ingrédients puissent mijoter.  
**REMARQUE :** Pour la préparation d'un plat combinant viande et légumes, déposer les légumes en premier dans la cuve en grès. Ajouter ensuite la viande et les autres ingrédients.  
**REMARQUE :** Pendant toute cuisson à température élevée, vérifier le degré de cuisson, puisque certaines soupes pourraient bouillir. Ne pas oublier que le soulèvement fréquent du couvercle pendant la cuisson peut prolonger la durée nécessaire.  
**AVERTISSEMENT :** La cuve en grès N'EST PAS à l'épreuve des changements brusques de température. Si la cuve est chaude, NE PAS y ajouter d'aliments froids. Avant de préparer des aliments congelés, ajouter un liquide tiède.
4. Brancher le cordon dans une prise électrique c.a. de 120V. Les 3 voyants de programmation clignoteront jusqu'à ce que l'appareil ait été programmé.
5. En suivant les directives de préparation de la recette, appuyer sur le bouton MODE jusqu'à ce que le voyant de programmation à température élevée (HIGH) ou basse (LOW) s'allume.  
**REMARQUE :** Choisir le mode réchaud (WARM) pour réchauffer ou maintenir la température des aliments.
6. Appuyer sur la flèche vers le haut de la programmation de la minuterie (TIME) et une durée de 30 minutes (0:30) apparaîtra sur l'afficheur. Continuer d'appuyer sur les boutons + et – jusqu'à ce que le temps de cuisson nécessaire s'affiche. La mijoteuse peut être programmée par tranches de 30 minutes, jusqu'à concurrence de 20 heures (20:00). Après 2 secondes, la mijoteuse commencera à chauffer.  
**REMARQUE :** Appuyer sur les boutons + et – pour modifier en tout temps la durée de cuisson pendant que l'appareil est en marche.  
**REMARQUE :** Si le MODE de cuisson à température basse ou élevée est actionné sans qu'une durée de cuisson soit précisée, la mijoteuse programmable cuira, par défaut, les aliments pendant 8 heures (08:00) à basse température et pendant 4 heures (04:00) à température élevée.  
**REMARQUE :** Appuyer à tout moment sur le bouton d'alimentation (STOP) pour éteindre la mijoteuse programmable.
7. L'heure sur l'écran commence à compter rebours en minutes jusqu'à ce que "0:00" minutes sont indiqués. Temps de cuisson est terminée. Lorsque le temps de cuisson expire (00:00), le cadre chaleureux clignote pendant 5 secondes, puis active automatiquement le mode de maintien au réchaud pendant 4 heures.  
**REMARQUE :** Appuyez sur le bouton d'alimentation (STOP) à tout moment de tourner la mijoteuse programmable OFF.
8. Appuyer sur le bouton de verrouillage du couvercle avant, puis ouvrir le couvercle à charnière de la mijoteuse en tirant sur sa poignée.
9. Laisser toute la vapeur se dissiper pendant quelques secondes. Inspecter et goûter le plat afin de vérifier la cuisson, puis ajouter des assaisonnements au besoin.
10. Pour sélectionner manuellement le réglage réchaud (WARM), appuyez sur le bouton MODE jusqu'à ce que réchaud (WARM) est allumé. La mijoteuse programmable se réchauffera par défaut pour "4:00" (4 heures).  
**REMARQUE :** Appuyez sur le bouton d'alimentation (STOP) à tout moment de tourner la mijoteuse programmable OFF.
11. Placer la cuillère à mélanger dans le repose-cuillère et servir directement à partir de la cuve en grès, au besoin.  
**ATTENTION :** L'unité de base deviendra très chaude pendant la cuisson. C'est dans celle-ci que les éléments chauffants sont intégrés. Pour déplacer la mijoteuse programmable, empoigner l'appareil par les poignées de l'unité de base; utiliser des poignées en tissu ou des gants de cuisine. (Voir figure 2). **Même lorsque la mijoteuse programmable est éteinte et débranchée, l'unité de base demeure chaude pendant un bon moment après son utilisation; mettre l'unité de côté et la laisser refroidir avant de la nettoyer ou de la ranger.**
12. Débrancher l'appareil de la prise électrique. Laisser refroidir complètement avant de nettoyer. Voir Directives de nettoyage.



## Conseils pour la cuisson lente

- Les morceaux de viande moins tendres et à prix moindre sont de meilleurs choix pour la cuisson lente que les pièces plus chères.
- Les viandes ne bruniront pas pendant la cuisson. Le brunissement des viandes grasses réduira la quantité de gras et contribuera à préserver la couleur tout en prêtant une saveur plus riche. Faire chauffer une petite quantité d'huile dans un poêlon et faire brunir les viandes avant de les déposer dans la cuve en grès.
- Les herbes et épices entières aromatisent mieux pendant la cuisson lente que leurs équivalents écrasés et moulus.
- Pour la cuisson à la mijoteuse, n'oubliez pas que les liquides ne se condensent pas par ébullition comme c'est le cas pendant la cuisson conventionnelle. Réduisez la quantité de liquide dans toute recette qui n'a pas été expressément élaborée pour la cuisson à la mijoteuse. Des exceptions à cette règle s'appliquent dans le cas du riz et des soupes. N'oubliez pas que du liquide peut toujours être ajouté à un moment ultérieur au besoin. Si un excédent de liquide subsiste à la fin de la cuisson, retirer le couvercle et reprogrammer la mijoteuse afin que la cuisson se poursuive à température élevée (HIGH) pendant 1 heure (1:00). Vérifier toutes les 15 minutes jusqu'à la réduction du liquide. Appuyer sur le bouton d'alimentation (POWER) une fois la consistance désirée atteinte.
- La plupart des recettes composées de viande crue et de légumes nécessitent une cuisson de 6 à 8 heures à basse température (LOW).
- Plus la teneur en gras sera élevée, plus la quantité de liquide nécessaire sera réduite. Lors de la cuisson de viande à haute teneur en gras, insérer d'épaisses tranches d'oignon sous celle-ci afin qu'elle ne mijote pas directement dans le gras. Au besoin, utiliser une cuillère ou une cuillère à trous pour dégraisser le dessus du plat préparé avant de servir.
- Les aliments découpés en morceaux uniformes cuiront plus rapidement et de façon plus homogène que les aliments entiers tels que les rôtis et la volaille.
- Toujours utiliser un thermomètre à viande pour établir si les viandes ont atteint la température de cuisson appropriée.
- Les légumes racines comme les carottes, les pommes de terre, les navets et les betteraves nécessitent une cuisson plus longue que bien des viandes. Les déposer en premier dans la mijoteuse et les couvrir de liquide. Vérifier leur tendreté lorsque la température de cuisson de la viande est atteinte. Retirer la viande, puis poursuivre la cuisson des légumes au besoin.
- Incorporer les produits laitiers frais (lait, crème sûre ou yogourt) avant de servir. Le lait concentré ou les soupes en crème condensées peuvent être ajoutés au début de la cuisson.
- Une longue période de cuisson n'est pas recommandée pour le riz, les nouilles et les pâtes. Les cuire séparément, puis les incorporer dans la mijoteuse pendant les 30 dernières minutes de la cuisson.

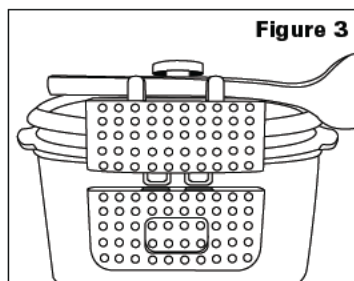
## Réparation

L'appareil exige peu d'entretien. Il ne contient aucune pièce pouvant être réparée ou remplacée par l'utilisateur. Ne pas tenter de réparer soi-même l'appareil. Toute opération d'entretien qui exige le démontage de l'appareil, autre que le nettoyage, doit être exécutée par un technicien en réparation d'appareils ménagers qualifié.

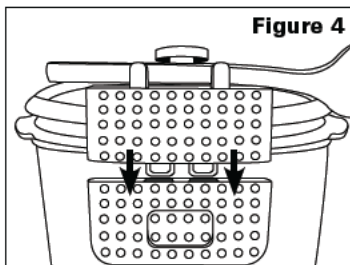
## Directives de nettoyage

**MISE EN GARDE : NE JAMAIS IMMERGER L'UNITÉ DE BASE OU LE CORDON DANS DE L'EAU OU DANS D'AUTRES LIQUIDES.**

1. Toujours débrancher l'appareil et le laisser refroidir complètement avant de le nettoyer.
  2. Retirer le couvercle verrouillable. Appuyer en même temps sur les boutons de déverrouillage du couvercle avant et arrière. Soulever le couvercle vers le haut et l'extraire de l'unité de base.
  3. La cuve en grès, le couvercle en verre trempé et la cuillère à mélanger peuvent être trempés au lave-vaisselle. Pour éviter les dommages, déposer la cuve en grès et le couvercle en verre dans le panier du lave-vaisselle de manière à éviter le contact avec les autres objets pendant le cycle de nettoyage. Pour le nettoyage à la main, laver la cuve en grès et le couvercle en verre à l'eau savonneuse tiède.
  4. Éviter tout changement de température soudain ou extrême. Par exemple, ne pas déposer la cuve en grès chaude dans l'eau froide ou sur une surface mouillée.
  5. Éviter de heurter la cuve en grès et le couvercle en verre sur le robinet ou d'autres surfaces dures.
- MISE EN GARDE : Ne pas utiliser la cuve en grès ou le couvercle en verre si ceux-ci sont ébréchés, fissurés, ou très égratignés.**



- Si des aliments collent à la cuve en grès, la remplir d'eau tiède savonneuse et laisser tremper avant de laver. Une pâte faite de bicarbonate de soude peut être utilisée avec un tampon à récurer en plastique antirayures.
- Pour éliminer les taches d'eau ou les dépôts minéraux, essuyer la cuve en grès avec du vinaigre blanc distillé. Pour les taches tenaces, verser une petite quantité dans la cuve en grès et laisser tremper. Rincer et sécher soigneusement.
- Nettoyer l'intérieur et l'extérieur de l'unité de base avec une éponge ou un chiffon doux légèrement humide. Ne jamais utiliser de nettoyeurs ou de tampons à récurer abrasifs pour nettoyer l'unité de base, puisque ceux-ci peuvent endommager les surfaces.
- Remettre le couvercle verrouillable en place. Insérer les deux tiges de verrous de couvercle arrière dans les orifices de la charnière à l'arrière de l'unité. (Voir figure 4).



### Rangement

- Avant de ranger l'appareil, s'assurer que toutes ses pièces sont propres et sèches.
- Ranger la mijoteuse programmable avec la cuve en grès à l'intérieur et le couvercle en verre trempé verrouillé. Ranger l'appareil assemblé dans sa boîte ou dans un endroit propre et sec.
- Ne jamais ranger la mijoteuse programmable lorsqu'elle est chaude ou mouillée.
- Toujours enrouler le cordon de façon lâche (non de façon serrée) autour de l'appareil.

### Table de cuisson lente – Mijoteuse de 5,7 L

NOTE: Ce tableau est conçu comme un guide général. Vérifiez la température avec un thermomètre à viande et suivez les consignes de sécurité des aliments USDA ci-dessous.

Aliment	Poids LBS	Poids KGS	Basse température (LOW)/Minuterie	Basse température (LOW)/Minuterie
Rôti de bœuf	3 lb	1,3 kg	3:00 - 4:00	1:30
Poitrine de bœuf	4-5 lb	1,8-2,2 kg	8:00	6:00
Poitrine de dinde	5-6 lb	2,3-2,7 kg	6:00 - 7:00	3:00 - 4:00
Poulet entier	4-6 lb	1,8-2,7 kg	6:00	4:00
Morceaux de poulet, avec os	3-4 lb	1,3-1,8 kg	4:00 - 5:00	1:30
Jambon précuit	6,5 lb	3 kg	4:00 - 5:00	3:00
Filet de porc	2-3 lb	1-1,3 kg	2:00 - 3:00	1:30 - 2:00
Rôti de porc	4-5 lb	1,8-2,2 kg	4:00 - 5:00	2:00 - 2:30
Côtelettes de porc	2-3 lb	1-1,3 kg	5:00	2:00 - 3:00

### Directives de l'USDA pour la cuisson

**REMARQUE IMPORTANTE :** Pour la cuisson des viandes comme le bœuf, l'agneau, etc., l'USDA recommande de les laisser atteindre une température de 145 °F/63 °C. La température interne du porc devrait atteindre 160 °F/71 °C, alors que celle de la volaille devrait s'élever à 170 °F/77 °C - 180 °F/82 °C afin que toute bactérie nocive ait été éliminée. Lorsque des produits de viande ou de volaille sont réchauffés, leur température interne devrait atteindre 165 °F/74 °C.

# Recettes

## Effiloché de porc mijoté au chipotle et à l'érable

Cuisson : 10:00 – 12:00 à basse température (LOW) ou 7:00 – 9:00 à température élevée (HIGH)

Portions : 6 à 10

- 1 épaule de porc (3 - 4 lb)
- 10 gousses d'ail
- 1 tasse de cidre de pommes
- Sel et poivre fraîchement moulu
- 6 à 10 rouleaux croustillants, pour le service (et la trempette)

### Sauce érable-chipotle:

- 1 tasse de sirop d'érable
- 6 chipotle chiles, tête de série
- Ketchup 1/4 tasse
- 10-12 figues séchées, hachées
- 4 blocs, épépinées et hachées
- 1/4 tasse d'eau
- 2 cuillères à soupe de sel

1. Au moyen d'un petit couteau bien affûté, tracer des fentes profondes dans toutes les parois de l'épaule de porc et enfoncer 1 gousse d'ail dans chaque fente.
2. Dans un grand poêlon, faire revenir l'épaule de porc de tous les côtés dans de l'huile fumante à feu moyen-élevé jusqu'à l'obtention d'un riche aspect bruni. Retirer le porc bruni et réserver.
3. Déglacer le poêlon avec le cidre de pommes, en veillant à ce que les saveurs résiduelles brunies soient incorporées dans la sauce. Ajouter le cidre et tous les ingrédients de la sauce au chipotle et à l'érable dans la cuve en grès. Bien combiner en remuant.
4. Déposer l'épaule de porc dans la cuve en grès. Fermer le couvercle.
5. Régler la mijoteuse à la cuisson à basse température (LOW); selon le volume d'aliments. Dans la cuve en grès, fixer le temps de cuisson de 10 à 12 heures (10:00 – 12:00) ou cuire à température élevée (HIGH) de 7 à 9 heures (7:00 – 9:00).
6. Le porc a atteint le degré de cuisson idéal lorsqu'il s'effiloche. Tamiser le liquide et dégraisser. À l'aide de 2 fourchettes, tirer sur la viande afin de créer des lanières savoureuses. Fourrer les rouleaux de porc et les arroser de sauce. Accompagner de croustilles de patates douces et de haricots au four.

## Côtes levées barbecue

Pour des côtes levées de porc fabuleuses, riches et savoureuses, la mijoteuse programmable deviendra votre meilleure amie. Que vous mettiez la touche finale à ces côtes levées sous le gril ou sur le barbecue, elles seront « bonnes à l'os » à coup sûr!

Cuisson : 5:00 – 6:00 à température élevée (HIGH)

Portions : 6 à 8

- 1 1/2 – 2 palettes complètes de côtes levées de porc (3 – 4 lb), poitrine retirée
- Marinade sèche
- 1 tasse de poudre de chili
- 2 c. à soupe de poudre d'ail
- 1 c. à soupe de poudre d'oignon
- 2 c. à thé de cumin
- 4 c. à soupe de sel assaisonné
- Sauce BBQ, au choix

1. Combiner tous les ingrédients de la marinade sèche dans un petit bol. Bien mélanger.
2. Retirer la chair du dos de la palette, si désiré.
3. Découper en demi-palettes permettant d'insérer la viande dans la cuve en grès. Bien frotter les côtes avec la marinade sèche. Réserver la marinade restante. Emballer les côtes dans une pellicule plastique et réfrigérer de 4 à 6 heures.
4. Régler la cuisson de la mijoteuse à température élevée (HIGH); fixer le temps de cuisson de 5 à 6 heures (5:00 – 6:00). Ajouter les côtes, fermer le couvercle et laisser cuire dans la cuve en grès, jusqu'à ce que la viande soit tendre et se sépare à la fourchette.  
**IMPORTANT : Ne pas trop cuire à moins de préférer que la viande tombe des os.**
5. Retirer les côtes de la cuve en grès et les déposer sur une plaque à pâtisserie recouverte de papier d'aluminium. Parsemer de la marinade restante. Étaler généreusement de la sauce BBQ au pinceau des deux côtés des côtes, puis terminer la cuisson sous le gril ou sur le barbecue de 10 à 20 minutes par côté.



## Garantie limitée de DEUX ANS

SENSIO Inc. assure par la présente que le produit est garanti contre tout défaut de matériel et de fabrication pendant une période de **DEUX ANS** à compter de la date d'achat et contre tout défaut des pièces autres que mécaniques pendant 90 jours. À son entière discrétion, SENSIO Inc. réparera ou remplacera un produit défectueux, ou accordera un remboursement pour ce produit, pendant la période de la garantie.

Cette garantie s'applique uniquement à l'acheteur initial du produit, à compter de la date initiale de l'achat, et est incessible. Pour que la garantie soit valide, l'acheteur doit conserver le reçu de caisse original. Les magasins de détail qui vendent ce produit n'ont pas le droit de l'altérer ou de le modifier, ni de modifier de quelque façon les modalités de la garantie.

### **EXCLUSIONS :**

La garantie ne couvre pas l'usure normale des pièces ou les dommages causés par une utilisation négligente du produit, le branchement sur un circuit de tension ou de courant inapproprié, un entretien de routine inadéquat, une utilisation contraire aux instructions de fonctionnement, de démontage et de réparation, ou par la modification du produit par une personne autre qu'un technicien qualifié de SENSIO Inc. De plus, la garantie ne couvre pas les cas de force majeure comme les incendies, les inondations, les ouragans et les tornades.

SENSIO Inc. ne pourra être tenue responsable de tout dommage indirect ou accessoire causé par la violation de toute garantie explicite ou implicite. Sauf dans la mesure où cela est interdit par la loi, toute garantie implicite concernant la valeur commerciale ou l'adéquation à la fin visée se limite à la durée de la garantie. Certains États et certaines provinces ou compétences administratives ne permettent pas l'exclusion ou la limitation des dommages indirects ou accessoires, ou les limitations quant à la durée des garanties implicites; par conséquent, les exclusions ou limitations mentionnées précédemment peuvent ne pas s'appliquer à vous. La garantie couvre les droits légaux spécifiques qui peuvent varier selon l'état, la province ou la compétence administrative.

### **COMMENT OBTENIR UN SERVICE SOUS GARANTIE :**

Communiquez avec le service à la clientèle en composant notre numéro sans frais : 1 866 832-4843. Un représentant du service à la clientèle tentera de résoudre par téléphone les questions relatives à la garantie. Si le représentant du service à la clientèle est incapable de résoudre le problème, il vous fournira un numéro de demande et vous informera que vous devez retourner le produit à SENSIO Inc. Apposez sur le produit une étiquette indiquant votre nom, votre adresse, votre numéro de téléphone (de jour), le numéro de demande ainsi qu'une description du problème. Incluez également une copie du reçu de caisse original. Emballez soigneusement le produit avec son reçu de caisse et faites-le parvenir (port et assurance payés) à l'adresse de SENSIO Inc. SENSIO Inc. n'assume aucune responsabilité quant au produit retourné pendant son transport jusqu'au centre de service à la clientèle de SENSIO Inc.

# MEDIDAS DE SEGURIDAD IMPORTANTES

**Cuando se utilizan aparatos eléctricos, se deben seguir precauciones de seguridad básicas, entre ellas:**

1. Lea todas las instrucciones.
2. No toque las superficies calientes. Utilice las asas o manijas.
3. Para protegerse contra una descarga eléctrica, no sumerja el cable, los enchufes ni el aparato en agua u otros líquidos.
4. Este dispositivo no está diseñado para que lo utilicen personas (incluidos niños) con capacidades físicas, sensoriales o mentales reducidas, o falta de experiencia y conocimiento, a menos que una persona responsable de su seguridad los supervise o instruya en el uso del aparato.
5. Es necesario supervisar atentamente a los niños si usan aparatos o están cerca de ellos.
6. Desenchufe el aparato del tomacorriente cuando no lo utilice y antes de limpiarlo. Espere a que se enfríe antes de colocarle o extraerle piezas.
7. No utilice ningún aparato si el cable o el enchufe están dañados, o si el aparato no funciona bien o se ha dañado de alguna forma. Llévelo a un técnico calificado para que la examine, repare o realice ajustes eléctricos o mecánicos.
8. El uso de accesorios que no estén recomendados por el fabricante del aparato puede provocar lesiones.
9. No lo utilice en exteriores.
10. No permita que el cable cuelgue por el borde de la mesa o mesada, ni que toque las superficies calientes.
11. No coloque el aparato encima ni cerca de un quemador eléctrico o de gas calientes, ni en un horno caliente.
12. Se debe tener sumo cuidado cuando se traslada un aparato con aceite u otros líquidos calientes.  
**PRECAUCIÓN:** Para evitar daños o descarga eléctrica, no cocine directamente en la unidad base. Cocine únicamente en la cacerola de cerámica de gres provista.
13. Para desenchufar, presione el botón STOP; luego, quite el enchufe del tomacorriente de pared.
14. No le dé al aparato otro uso que no sea el indicado.
15. Evite los cambios bruscos de temperatura, como ocurre al agregar comidas refrigeradas en una cacerola de cerámica de gres ya caliente.
16. No use la cacerola de cerámica de gres o la tapa de vidrio si tienen alguna marca, rajadura o si están muy rayadas.

**GUARDE ESTAS INSTRUCCIONES  
PARA USO DOMÉSTICO  
ÚNICAMENTE**

# OTRAS MEDIDAS DE SEGURIDAD IMPORTANTES

**PRECAUCIÓN CON LAS SUPERFICIES CALIENTES:** Este aparato genera calor y vapor de escape durante el uso. Se deben tomar las medidas necesarias para evitar riesgos de quemaduras, incendios u otras lesiones a personas o daño a la propiedad.

1. La persona que no haya leído y comprendido todas las instrucciones de funcionamiento y seguridad no está apta para usar este aparato. Todos los usuarios de este aparato deben leer y comprender este manual de instrucciones antes de manejar o limpiar la unidad.
2. Si el aparato se cae o accidentalmente se lo sumerge en agua, desenchúfelo inmediatamente del tomacorriente. **¡No lo saque del agua!**
3. Cuando utilice este aparato, deje suficiente ventilación por encima y alrededor de él para que el aire circule. No use el aparato si está cerca o en contacto con cortinas, revestimientos de pared, ropas, repasadores u otros materiales inflamables.
4. No deje este aparato sin vigilancia durante el uso.
5. Si este aparato comienza a funcionar mal durante el uso, desenchufe el cable inmediatamente. No utilice el aparato ni intente repararlo si funciona mal.
6. El cable del aparato se debe enchufar únicamente a un tomacorriente eléctrico de 120V de CA.
7. No use el aparato en posición inestable.
8. Nunca use la cacerola de cerámica de gres sobre una placa de cocina a gas o eléctrica, ni directamente sobre la llama, ni en un horno caliente.
9. Quite la tapa cuidadosamente para evitar escaldaduras y deje que el agua gotee dentro de la cacerola de cerámica de gres.

## Notas sobre el enchufe

Este aparato tiene un enchufe polarizado (una clavija es más ancha que la otra). Para reducir el riesgo de descarga eléctrica, este enchufe se debe colocar en un tomacorriente polarizado en una sola dirección. Si el enchufe no entra completamente en el tomacorriente, dé vuelta el enchufe. Si aun así no encaja, llame a un electricista calificado. No modifique el enchufe de ninguna manera.

## Notas sobre el cable

Se debe usar el cable de alimentación corto provisto (o cable de alimentación separable) para reducir el riesgo de enredarse o tropezarse si el cable fuera más largo. No utilice un cable de extensión con este producto.

## Advertencia sobre los plastificantes

**PRECAUCIÓN:** A fin de evitar que los plastificantes se adhieran al acabado de la mesada, la mesa u otro mueble, coloque un posafuentes o salvamanteles que NO SEA DE PLÁSTICO entre el aparato y la superficie de la mesada o mesa. Si no se hace esto, es posible que el acabado se oscurezca, se formen marcas permanentes o aparezcan manchas.

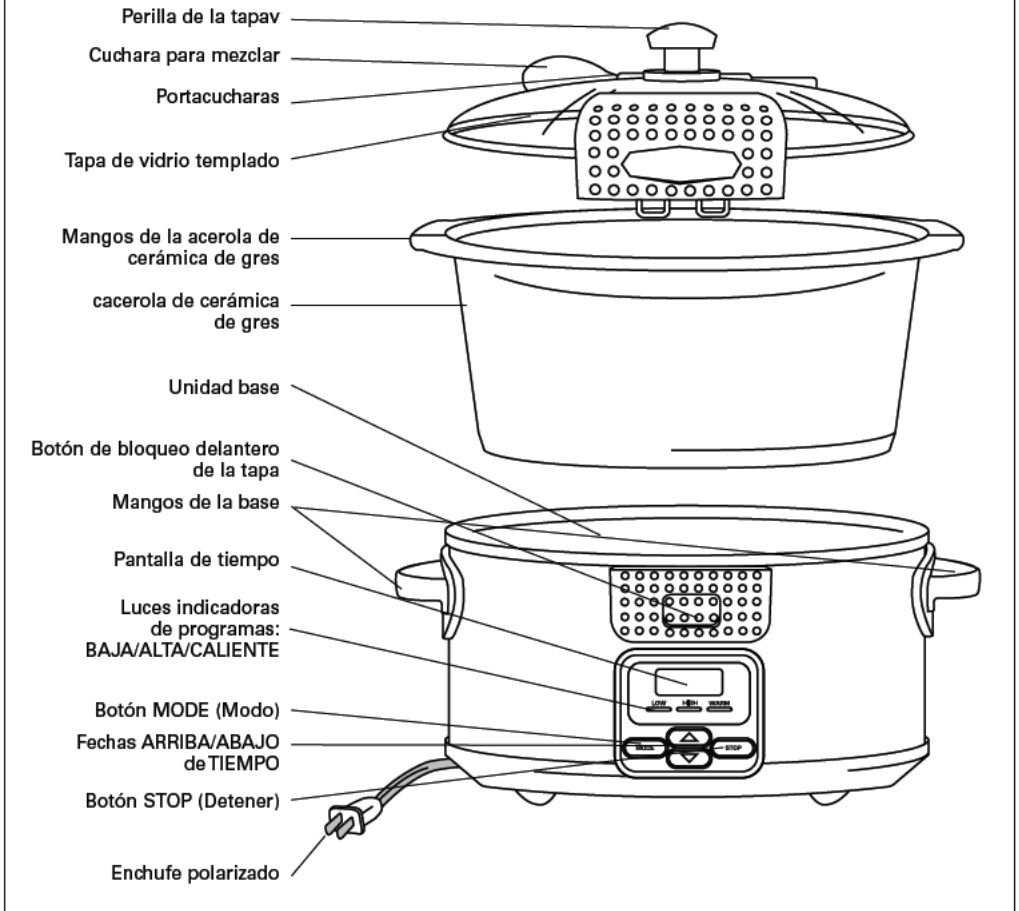
## Corriente eléctrica

Si se recarga el circuito eléctrico con otros aparatos, es posible que este aparato no funcione correctamente. Se debe utilizar en un circuito eléctrico separado de los otros aparatos.

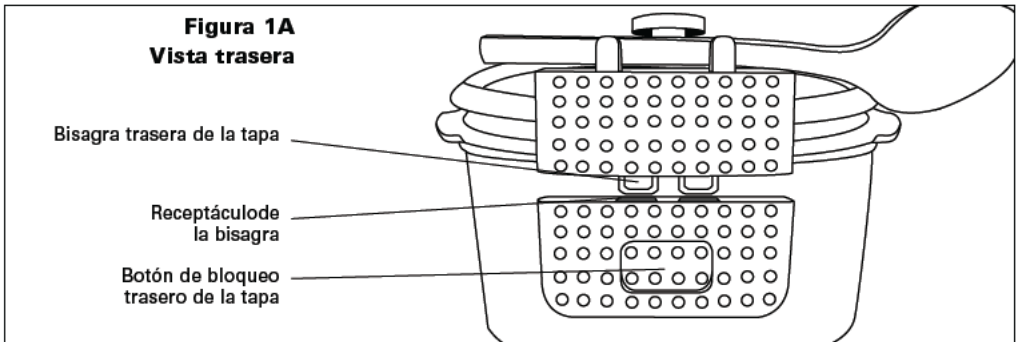
## Introducción a la olla de cocción lenta programable de 6 cuartos

El producto puede diferir levemente de las ilustraciones.

### Figura 1



### Figura 1A Vista trasera





## Introducción a la cocción lenta programable

¡Al fin! Una olla de cocción lenta lo suficientemente bella como para cocinar y servir...

¡con un lugar práctico para guardar la cuchara para mezclar/servir! Esta olla de cocción lenta programable puede funcionar a temperatura BAJA todo el día o toda la noche, hasta 20 horas... con un temporizador digital de cuenta regresiva fácil de leer que apaga el aparato automáticamente. ¡Basta de alimentos cocidos en exceso cuando se los cocina lentamente! La tapa con trabas delantera y trasera se cierra herméticamente y facilita un transporte sin derrames.

**NOTA:** Cocinar lentamente a temperatura ALTA es muy similar a cocinar en una olla con tapa sobre la estufa. A temperatura ALTA, los alimentos se cocinarán en la mitad del tiempo que se requiere para cocinarlos a temperatura BAJA. Es posible que se necesite líquido adicional, ya que los alimentos en temperatura ALTA hierven.

### Antes de utilizar por primera vez

1. Desempaque cuidadosamente la olla de cocción lenta programable. Quite todos los envoltorios y materiales de la cacerola de cerámica de gres, la tapa y la cuchara para mezclar.
2. Es necesario hacer funcionar la olla de cocción lenta programable una vez antes de colocar alimentos en la cacerola de cerámica de gres.
3. **Abra la tapa con traba.** Presione el botón de bloqueo delantero de la tapa; luego, use el mango de la tapa para abrir la tapa de la olla de cocción lenta.
4. Vierta 4 tazas de agua en la cacerola de cerámica de gres.
5. Cierre la tapa de vidrio. Oirá un clic cuando la tapa se trabe correctamente.
6. Enchufe el aparato a un tomacorriente de 120V de CA. La pantalla comienza a destellar hasta que se programa la unidad.
7. Presione el botón LOW (Bajo)/HIGH (Alto)/WARM (Tibio) hasta que la luz del indicador de control HIGH se encienda. Presione el indicador de control TIME (HORA) y el botón + hasta que "0:30" aparezca en la pantalla del tiempo. La olla de cocción lenta comenzará a calentarse en 2 segundos.  
**NOTA:** Usted notará un olor leve; el cual es normal y desaparecerá rápidamente.
8. Cuando termina el tiempo de cocción (00:00), el ambiente cálido parpadeará por 5 segundos y luego se activará el modo mantener caliente durante 4 horas.  
**NOTA:** Presione el botón STOP (detener) en cualquier momento para apagar la cocción lenta programable OFF.
9. Desconecte la olla de cocción lenta y déjela enfriar.
10. Presione el botón de bloqueo delantero de la tapa; luego, use el mango de la tapa para abrir la tapa con bisagra de la olla de cocción lenta. Con manoplas para horno, tome con cuidado los mangos de la cacerola para levantarla y retirarla de la unidad base; vacíe el agua que quedó en la cacerola de cerámica de gres.
11. Lave la cacerola de cerámica de gres y la cuchara para mezclar con un detergente suave. Use una esponja con un poco de jabón para limpiar la tapa de vidrio. Enjuague y seque todas las piezas minuciosamente. Vuelva a colocar la cacerola de cerámica de gres en la unidad base. Coloque la cuchara para mezclar en el portacucharas que está detrás de la tapa.

### Cuidado de la cacerola de cerámica de gres

Como cualquier artículo de cerámica, la cacerola de cerámica de gres se puede rajarse o romper si no se la manipula de modo adecuado. **Para evitar daños, ¡manipúlela con cuidado!**

**ADVERTENCIA:** Si no sigue estas instrucciones, puede provocar roturas que ocasionen lesiones o daños a la propiedad.

- SIEMPRE USE AGARRADERAS O MANOPLAS PARA HORNO CUANDO MANIPULE UNA CACEROLA DE CERÁMICA DE GRES CALIENTE.
- NO coloque la cacerola de cerámica caliente sobre la mesada. Use un reposaollas protector.
- NO coloque la cacerola de cerámica de gres sobre un quemador de cocina, debajo de la parrilla del horno, en el elemento para dorar de microondas, en un horno caliente o en un horno tostador.
- NO golpee los utensilios contra el borde de la cacerola de cerámica de gres para quitar el alimento.
- NO use la cacerola de cerámica de gres para hacer palomitas de maíz, caramelizar el azúcar o elaborar dulces.
- NO use limpiadores abrasivos, esponjas metálicas abrasivas ni ningún otro objeto que pueda rayar la olla o los accesorios.
- NO use ni repare ninguna cacerola o tapa que esté astillada, rajada o rota.
- NO use la cacerola de cerámica de gres para recalentar alimentos o para el almacenamiento general de alimentos.
- Siempre coloque alimentos en la cacerola de cerámica de gres a temperatura ambiente; luego, coloque la cacerola en la unidad base antes de encender la unidad. NUNCA caliente la cacerola de cerámica de gres si está vacía.

## Instrucciones de funcionamiento

**NOTA:** Cuando use la olla de cocción programable para servir, siempre coloque un reposaollas o una almohadilla protectora debajo de la cacerola antes de colocarla sobre una mesa o mesada.

1. Prepare los ingredientes según las indicaciones de la receta.
2. Presione el botón de bloqueo delantero de la tapa; luego, use el mango de la tapa para abrir la tapa de la olla de cocción lenta.
3. Coloque el alimento en la cacerola de cerámica de gres. **NO LLENE LA CACEROLA HASTA ARRIBA CON ALIMENTOS.** Para obtener mejores resultados, la olla de cocción lenta debe llenarse hasta la mitad. Al cocinar sopas o estofados, deje un espacio de 5 cm (2 pulgadas) entre el alimento y la parte superior de la olla, de modo que los ingredientes puedan alcanzar el punto de ebullición.

**NOTA:** Cuando cocine vegetales y carne, coloque primero los vegetales en el fondo de la cacerola de cerámica de gres. Luego, agregue la carne y demás ingredientes.

**NOTA:** Al cocinar a temperatura ALTA, compruebe el progreso de cocción, ya que las sopas pueden llegar a hervir. Recuerde que levantar la tapa muy seguido prolonga el tiempo de cocción.

**ADVERTENCIA:** La cacerola de cerámica de gres NO soporta cambios bruscos de temperatura. Si la cacerola está caliente, NO agregue alimentos fríos. Antes de cocinar alimentos congelados, agregue un poco de líquido tibio.

4. Enchufe el aparato a un tomacorriente de 120V de CA. Las luces indicadoras de los 3 programas parpadearán hasta que la unidad se haya programado.
5. Siga las instrucciones de la receta y presione el botón MODE hasta que la luz indicadora del programa ALTA o BAJA se ilumine.

**NOTA:** Use la función WARM (Caliente) para recalentar o mantener el alimento cocido caliente.

6. Presione el botón + del programa de TIEMPO y "0:30" (30 minutos) aparecerá en la pantalla de TIEMPO. A continuación, presione el botón + o - hasta que aparezca el modo de TIEMPO KEEP WARM (Mantener caliente) que se desea alcanzar. La olla de cocción lenta programable se puede programar en incrementos de media hora (30 minutos), de "0:30" (30 minutos) a "20:00" (20 horas). Luego de 2 segundos, la olla de cocción lenta comenzará a calentarse.

**NOTA:** Presione el botón + o - para regular el TIEMPO de cocción que se desee alcanzar en cualquier momento mientras la olla de cocción lenta está cocinando.

**NOTA:** Si selecciona el MODO BAJA o ALTA sin ingresar un tiempo de cocción la olla de cocción lenta programable calentará automáticamente durante un tiempo preprogramado de "08:00" (8 horas) a temperatura BAJA y "04:00" (4 horas) a temperatura ALTA.

**NOTA:** Presione el botón STOP en cualquier momento para apagar la olla de cocción lenta programable.

7. La hora en la pantalla comenzará la cuenta atrás en minutos hasta que aparezca "0:00" minutos. Tiempo de cocción se ha completado. Cuando termina el tiempo de cocción (00:00), el ambiente cálido parpadeará durante 5 segundos y luego se activará automáticamente el modo mantener caliente durante 4 horas.8. Presione el botón de bloqueo delantero de la tapa; luego, use el mango de la tapa para abrir la tapa con bisagra de la olla de cocción lenta.

**NOTA:** Presione el botón STOP (detener) en cualquier momento para apagar la cocción lenta programable OFF.

9. Espere unos segundos hasta que todo el vapor salga. Revise y pruebe el alimento para ver si está listo, y regule la cantidad de condimentos si es necesario.

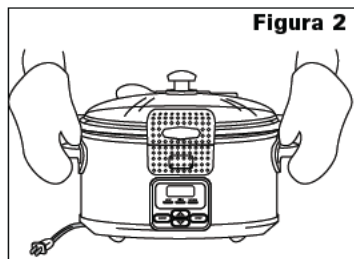
10. Para seleccionar manualmente el ajuste caliente, presione el botón MODE hasta que se encienda WARM (caliente). La cocción lenta programable se calentará por defecto para "4:00" (4 horas).

**NOTA:** Presione el botón STOP (detener) en cualquier momento para apagar la olla de cocción lenta programable.

11. Coloque la cuchara para mezclar en el portacucharas y sirva directamente de la cacerola de cerámica de gres, si lo desea.  
**PRECAUCIÓN:** La unidad base se calentará mucho durante la cocción. Aquí es donde están ubicados los elementos calefactores. Al trasladar la olla de cocción lenta programable, tómela de los mangos de la unidad base; use manoplas o agarraderas para horno. (Consulte la figura 2).

**Aún después de apagada y desenchufada, la unidad base de la olla de cocción lenta programable permanece caliente por unos instantes; déjala aparte y permita que la unidad se enfríe antes de limpiarla o guardarla.**

12. Desenchufe el aparato del tomacorriente eléctrico. Deje que se enfríe completamente antes de limpiarla; consulte las Instrucciones de limpieza.



**Figura 2**

## Consejos para la cocción lenta

- Los cortes de carne más tiernos y económicos son más aptos para la cocción lenta que las variedades más costosas.
- Las carnes no se doran durante el proceso de cocción. Dorar las carnes grasosas reducirá la cantidad de grasa y ayudará a conservar el color mientras que aportará un sabor más rico. Caliente una pequeña cantidad de aceite en una sartén y haga dorar la carne antes de colocarla en la cacerola de cerámica de gres.
- En la cocción lenta, las hierbas y especias enteras aromatan mejor que las trituradas o molidas.
- Cuando cocine en una olla de cocción lenta, recuerde que los líquidos no hierven de la misma manera que en la cocción convencional. Reduzca la cantidad de líquido de cualquier receta que no sea para hacer en una olla de cocción lenta. El arroz y las sopas son excepciones para esta regla. Recuerde: los líquidos siempre se pueden agregar más tarde si es necesario. Si, al finalizar su tiempo de cocción una receta deja mucho líquido, quite la cubierta y reprograma la olla de cocción lenta de modo que cocine a temperatura ALTA durante 1 hora (1:00). Compruebe la cocción cada 15 minutos hasta que la cantidad de líquido se reduzca. Presione el botón STOP (detener) cuando se alcance la consistencia deseada.
- La mayoría de las recetas que requieren carne y vegetales crudos necesitan entre 6 y 8 horas a temperatura BAJA.
- Cuando más alto sea el contenido de grasa, menos líquido se necesitará. Si cocina carne con alto contenido de grasa, coloque rodajas gruesas de cebolla debajo de la carne para que esta no se cocine directamente en la grasa. Si es necesario, use una rebanada de pan, una cuchara o un escurridor para quitar el exceso de grasa de la parte superior de los alimentos antes de servirlos.
- Los alimentos cortados en partes uniformes se cocinan más rápido y de manera más pareja que las piezas enteras, como carnes asadas o aves.
- Siempre use un termómetro para carnes para determinar si las carnes se cocinaron a la temperatura adecuada.
- Los tubérculos, como zanahorias, papas, nabos y remolachas, requieren mayor tiempo de cocción que muchas carnes. Colóquelos en la parte inferior de la olla de cocción lenta y cúbralos con líquido. Compruebe con un tenedor que la carne esté tierna al alcanzar la temperatura adecuada. Extraiga la carne y siga cocinando los vegetales si es necesario.
- Agregue los productos lácteos frescos (leche, crema agria o yogur) antes de servir. Al principio de la cocción, se puede agregar leche evaporada o sopas cremosas condensadas.
- No se recomienda cocinar arroz, fideos o pasta durante mucho tiempo. Cocínelos por separado y agréguelos luego en la olla de cocción lenta durante los últimos 30 minutos.

## Instrucciones de mantenimiento para el usuario

Este aparato requiere de poco mantenimiento. No contiene piezas que el usuario pueda reparar. No intente reparar la unidad usted mismo.

Cualquier servicio en el que se requiera desarmar la unidad, con la excepción de la limpieza, debe realizarlo un técnico calificado de reparación de aparatos eléctricos.

## Instrucciones de limpieza

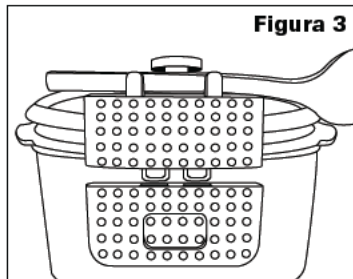
**PRECAUCIÓN:** NUNCA SUMERJA LA UNIDAD BASE O EL CABLE EN AGUA U OTRO LÍQUIDO.

1. Siempre desenchufe el aparato y deje que se enfríe antes de limpiarlo.
2. Quite la tapa con traba. Presione los botones de bloqueo delantero y trasero de la tapa. Levante la tapa y extráigala de la unidad base.
3. La cacerola de cerámica de gres, la tapa de vidrio templado y la cuchara para mezclar pueden lavarse en el lavavajillas. Para evitar daños, coloque la cacerola de cerámica de gres y la tapa de vidrio en el estante del lavavajillas, de modo que no golpee otros elementos durante la limpieza. Para limpiar la cacerola y la tapa de vidrio a mano, lávelas con agua tibia y jabón.
4. Evite los cambios bruscos de temperatura. Por ejemplo, no coloque la cacerola de cerámica de gres caliente en agua fría o sobre una superficie húmeda.

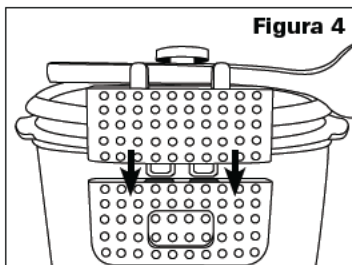
5. Tenga cuidado de no golpear la cacerola de cerámica de gres o la tapa de vidrio contra el grifo u otra superficie dura.

**PRECAUCIÓN:** No use la cacerola de cerámica de gres o la tapa de vidrio si tienen alguna marca, rajadura o si están muy rayadas.

6. Si quedan alimentos pegados en la cacerola, llénela con agua tibia y jabón, y déjela en remojo antes de limpiarla. Se puede usar una pasta de bicarbonato de sodio con una esponja abrasiva de plástico.



- Para eliminar las manchas de agua o los depósitos minerales, limpie la cacerola con vinagre blanco destilado. En el caso de las manchas difíciles, vierta una pequeña cantidad en la cacerola de cerámica de gres y deje esta última en remojo. Enjuáguela y séquela minuciosamente.
- Seque el interior y el exterior de la unidad base con un paño o una esponja suave, apenas húmedos. Nunca use limpiadores abrasivos ni esponjas abrasivas para limpiar la unidad base, ya que pueden dañar la superficie.
- Vuelva a colocar la tapa con traba.** Introduzca las barras de bloqueo traseras de la tapa en el receptáculo de la bisagra que está en la parte trasera de la unidad base. (Consulte la figura 4).



### Instrucciones de almacenamiento

- Asegúrese de que todas las partes estén limpias y secas antes de almacenarlas.
- Guarde la olla de cocción lenta programable con la cacerola de cerámica de gres dentro de la unidad base, y la tapa de vidrio templado trabada. Guarde la unidad armada en su caja o en un lugar limpio y seco.
- Nunca guarde la olla de cocción lenta programable si está caliente o húmeda.
- Nunca enrolle el cable alrededor del aparato; guárdelo ligeramente enrollado.

### Tabla de cocción de la olla de cocción lenta de 6 cuartos

**NOTA:** Esta tabla pretende servir de guía general. Compruebe la temperatura con un termómetro para carnes y siga las pautas de seguridad de los alimentos del USDA que figura a continuación.

Alimentos	Peso LBS	Peso KGS	BAJA/ Temporizador	ALTA/ Temporizador
Carne asada	3 lb	1.3 kg	3:00 - 4:00	1:30
Pecho de res	4-5 lb	1.8-2.2 kg	8:00	6:00
Pechuga de pavo	5-6 lb	2.3-2.7 kg	6:00 - 7:00	3:00 - 4:00
Pollo entero	4-6 lb	1.8-2.7 kg	6:00	4:00
Trozos de pollo, con hueso	3-4 lb	1.3-1.8 kg	4:00 - 5:00	1:30
Jamón totalmente cocido	6,5 lb	3 kg	4:00 - 5:00	3:00
Solomillo de cerdo	2-3 lb	1-1.3 kg	2:00 - 3:00	1:30 - 2:00
Carne de cerdo asada	4-5 lb	1.8-2.2 kg	4:00 - 5:00	2:00 - 2:30
Chuletas de cerdo	2-3 lb	1-1.3 kg	5:00	2:00 - 3:00

### Pautas de cocción del USDA

**TENGA EN CUENTA:** El USDA recomienda que las carnes tales como la carne de vaca, de cordero, etc., se cocinen hasta alcanzar una temperatura interna de 63 °C/145 °F. El cerdo se debe cocinar hasta alcanzar una temperatura interna de 71 °C/160 °F y las aves se deben cocinar hasta alcanzar una temperatura interna de 77 °C/170 °F a 82 °C/180 °F para asegurarse de matar toda bacteria perjudicial. Cuando se recalientan productos con carne de vaca o ave, también se deben cocinar hasta alcanzar una temperatura interna de 74 °C/165 °F.

# Recetas

## Pollo asiático dulce y picante cocido lentamente con arroz con cebolletas y naranja

Este arroz cítrico liviano y refrescante se acompaña bien con un pollo picante. Cubra el arroz con brotes de soja frescos y salsa. Sírvalo junto con guisantes o judías verdes salteados.

**Cocción:** 4:00 a 5:00 BAJA

**Rinde de 4 a 6 porciones**

- 1 pollo entero (1,4 kg a 1,8 kg/3 a 4 lb.) o los trozos de pollo con hueso que desee
- Sal kosher
- Pimienta, recién molida
- 3 zanahorias, ralladas
- 2 naranjas de ombligo, ralladas y exprimidas (guardar la ralladura para el arroz)
- 3 cucharaditas de Sambal Oelek (pasta de chile roja), a gusto
- 4 cucharaditas de almidón de maíz disueltas en
- 6 cucharadas soperas de agua fría

### **Salsa dulce y picante:**

- 1 taza de néctar de agave
- 1/2 taza de salsa de soja
- 1 taza de cebolla cortada en cubos
- 1/3 taza de ketchup
- 2 cucharadas soperas de puré de tomate
- 2 cucharadas soperas de aceite de sésamo
- 2 dientes de ajo, picados
- 2 cucharadas soperas de jengibre fresco, rallado

### **Arroz con cebolletas y naranja:**

- 4 a 5 tazas de arroz hervido
  - 1 naranja de ombligo, rallada y exprimida
  - 3 cebolletas, picadas
  - 1 cucharada soperas de sal kosher, o a gusto
1. En un bol mediano, combinar el néctar de agave, la salsa de soja, la cebolla, el ketchup, el puré de tomate, el aceite de sésamo, el ajo, el jengibre, las zanahorias, el jugo de naranja y la pasta de chile rojo. Mezclar bien.
  2. Quitar la piel y toda la grasa visible del pollo.  
NOTA: Quitar la piel del pollo y el exceso de grasa para evitar obtener una salsa grasosa.
  3. Condimentar el pollo ligeramente con sal y pimienta. Esparcir con una cuchara la salsa en la cavidad del pollo, y colocar la pechuga entera del pollo orientada hacia abajo en la cacerola de cerámica de gres. Verter la salsa restante sobre el pollo. Cerrar la tapa.
  4. Programar la olla de cocción lenta en BAJA; configurar el TIEMPO en 4:00 horas o hasta que el pollo se cocine completamente y quede tierno.
  5. Trasladar el pollo a un plato para servir a fin de mantenerlo caliente.
  6. Verter la salsa en una sartén pequeña. Disolver 4 cucharaditas de almidón de maíz en 6 cucharadas soperas de agua y verter en la salsa. Calentar al descubierto sobre la estufa hasta que el contenido se espese, alrededor de 15 minutos.
  7. A medida que la salsa se espesa, preparar el arroz con cebolletas y naranja. Agregar la ralladura de naranja de la salsa, y el jugo y la ralladura de 1 naranja adicional, las cebolletas y la sal al arroz hervido. Mezclar para combinar los elementos.
  8. Servir el pollo con el arroz con cebolletas y naranja. Esparcir la salsa en abundancia con una cuchara sobre la parte superior.



## Garantía limitada de DOS AÑOS

Mediante la presente, SENSIO Inc. garantiza que, durante el plazo de **DOS AÑOS** a partir de la fecha de compra, este producto no presentará defectos mecánicos en el material ni en la mano de obra, y durante 90 días, no los presentará en las piezas no mecánicas. A su entera discreción, SENSIO Inc. reparará o reemplazará el producto que resulte defectuoso, o emitirá un reembolso por el producto durante el plazo de garantía.

Esta garantía es válida únicamente para el comprador minorista original a partir de la fecha de compra minorista inicial y no es transferible. Conserve el recibo de compra original, ya que se exige una prueba de compra para obtener la validación de la garantía. Las tiendas minoristas no tienen derecho a alterar, modificar ni corregir de ninguna manera los términos y condiciones de la garantía.

### EXCLUSIONES:

La garantía no cubre el desgaste normal de las piezas ni el daño ocasionado por cualquiera de las siguientes causas: uso negligente del producto, uso de un voltaje o corriente incorrectos, mantenimiento de rutina inadecuado, uso contrario al de las instrucciones de funcionamiento, desarmado, reparación o alteración a cargo de personas que no sean miembros del personal calificado de SENSIO Inc. Asimismo, la garantía no cubre actos de la naturaleza, como incendios, inundaciones, huracanes o tornados.

SENSIO Inc. no asumirá responsabilidad por daños incidentales o resultantes ocasionados por la violación de cualquier garantía expresa o implícita. Salvo en la medida en que lo prohíban las leyes aplicables, cualquier garantía implícita de comerciabilidad o aptitud para un propósito particular se limita temporalmente a la duración de la garantía. Algunos estados, provincias o jurisdicciones no permiten la exclusión ni la limitación de daños incidentales o resultantes, o limitaciones sobre la duración de una garantía implícita y, por lo tanto, es posible que las exclusiones o limitaciones mencionadas no le correspondan. La garantía cubre derechos legales específicos que pueden variar de un estado, una provincia o una jurisdicción a otros.

### CÓMO OBTENER EL SERVICIO DE GARANTÍA:

Debe comunicarse con el Servicio de atención al cliente a nuestro número telefónico gratuito: 1-866-832-4843. Un representante del Servicio de atención al cliente intentará resolver los problemas referidos a la garantía por teléfono. Si este no puede resolver el problema, le proporcionarán un número de caso y le solicitarán que devuelva el producto a SENSIO Inc. Adhiera una etiqueta al producto que incluya: su nombre, dirección, número telefónico de contacto durante el día, número de caso y descripción del problema. Además, incluya una copia del recibo de compra original. Envuelva cuidadosamente el producto etiquetado con el recibo de compra, y envíelo (con el envío y el seguro prepagados) a la dirección de SENSIO Inc. SENSIO Inc. no asumirá obligación ni responsabilidad alguna por el producto devuelto que esté en el trayecto hacia el Centro de servicio al cliente de SENSIO Inc.





[bellahousewares.com](http://bellahousewares.com)



BellaLife



BellaLife



BellaLifestyle



BellaLifestyle

For customer service questions or comments

Pour le service à la clientèle, question ou commentaires

Dudas o comentarios contactar el departamento de servicio al cliente

1-866-832-4843

[www.sensioinc.com](http://www.sensioinc.com)

©2014 Sensio.

BELLA® is a registered trademark of Sensio Inc.,

BELLA® est un marque déposée de Sensio Inc.,

BELLA® es una marca registrada de Sensio, Inc.,

Montréal, Canada H3B 3X9

Download from [Www.Somanuals.com](http://Www.Somanuals.com). All Manuals Search And Download.



## Free Manuals Download Website

<http://myh66.com>

<http://usermanuals.us>

<http://www.somanuals.com>

<http://www.4manuals.cc>

<http://www.manual-lib.com>

<http://www.404manual.com>

<http://www.luxmanual.com>

<http://aubethermostatmanual.com>

Golf course search by state

<http://golfingnear.com>

Email search by domain

<http://emailbydomain.com>

Auto manuals search

<http://auto.somanuals.com>

TV manuals search

<http://tv.somanuals.com>