

BELKIN®

Line Interactive 600VA UPS

Quick Install Guide



F6U600au

Introduction

Each year, several natural and man-made occurrences put the power supplied to your electronics in your home or office in jeopardy. At risk are your hardware, software, and data because of these power problems.

This product is designed to provide clean power to all computer systems and peripherals with maximum protection. It integrates quality surge protection and battery backup capabilities to provide complete power protection for your computer, modem, hard drive, and other related equipment. This product will safeguard against power disturbances of all kinds; blackouts, surges, spikes and line noise contamination.

1 - Inspection

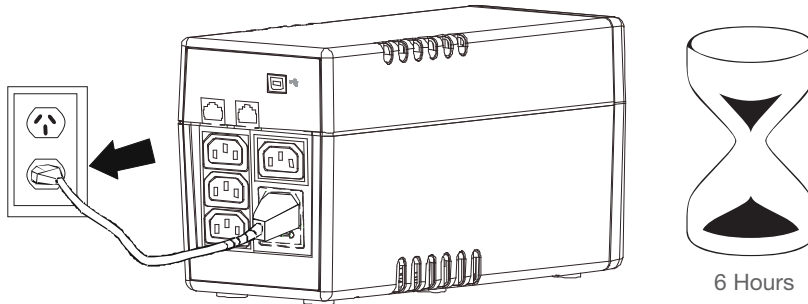
Remove the UPS from its package and inspect it for damage that may have occurred during shipping. If any damage is discovered, re-pack the unit and return it to the place of purchase.

2 - Placement

Install the UPS unit in any protected environment that provides adequate airflow around the unit, and is free from excessive dust, corrosive fumes and conductive contaminants. DO NOT operate your UPS in an environment where the ambient temperature exceeds 40°C.

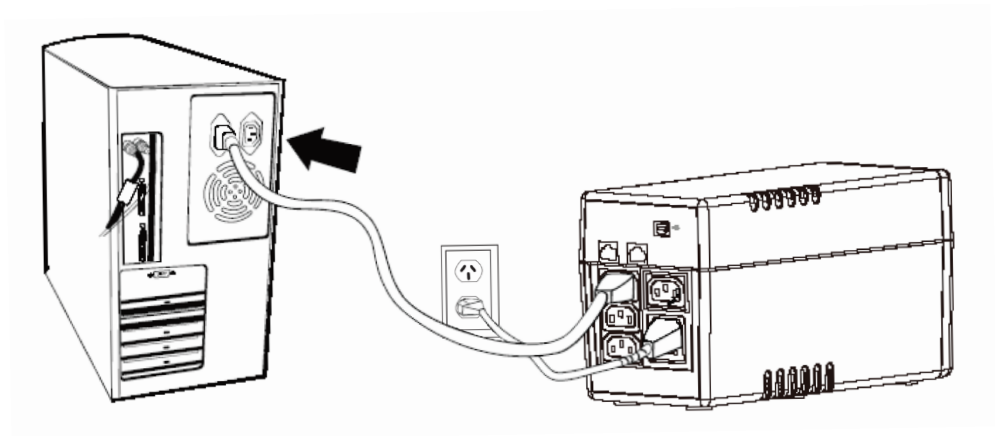
3 - Charging

This unit is shipped from the factory with its internal battery fully charged, however some charge may be lost during shipping and the battery should be recharged prior to use. Plug the unit into an appropriate power outlet and allow the UPS to charge fully by leaving it plugged in for at least 6 hours with no load (no electrical devices such as computers, monitors, etc) connected.



4 - Computer Connection

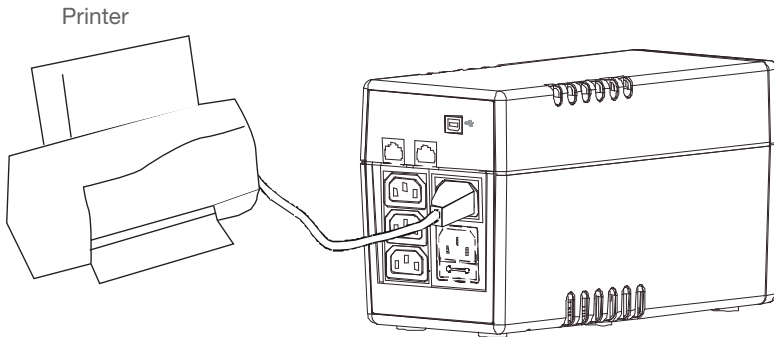
Connect your PC, monitor and modem/router into the outlets at the back of the UPS labelled "Battery Backup". Battery power is automatically provided in case of power failure.



5 - Peripheral Equipment Connection

Plug your peripheral equipment (printer, scanner or speakers) into the full-time surge protection outlet.

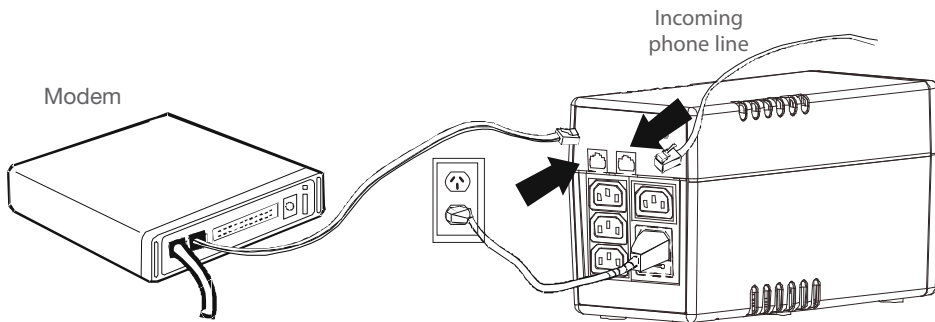
This receptacle does not provide any power during a power failure.



Note: DO NOT plug a laser printer, copier, space heater, vacuum or other large electrical device into the UPS. The power demands of these devices will overload and possibly damage the unit.

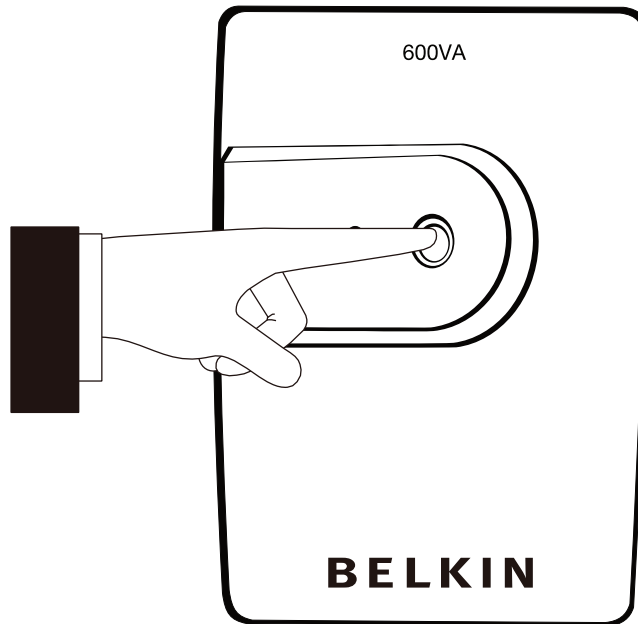
6 - Modem/Phone line Connection

Plug incoming phone line into the "IN" socket on the front of the UPS. Connect another phone line cable into the "OUT" socket on the front of the UPS. Plug the other end into the modem input socket as shown.



7 - Turn On/Off

Press power switch to turn on the UPS. Press power switch again to turn off the UPS.



8 - DC Start Function

DC Start Function enables UPS to be started up when AC utility power is not available and battery is fully charged. Just simply press the power switch to turn on the UPS

Installing Belkin Automatic Power Management Software

Step 1:

PC Installation

- Insert CD
- After a short moment the CD will automatically run

Mac Installation

- Insert CD
- Open "Belkin APMS" CD icon
- Open Mac OSX folder
- Open Disk 1 folder
- Open INSTDATA folder
- Select setup icon

Follow prompts until software is installed (Note: Mac users will be prompted to restart at the end of this process, do so)

Upon completion you will now have an "agent" icon in your system tray (PC) or in your dock (Mac).

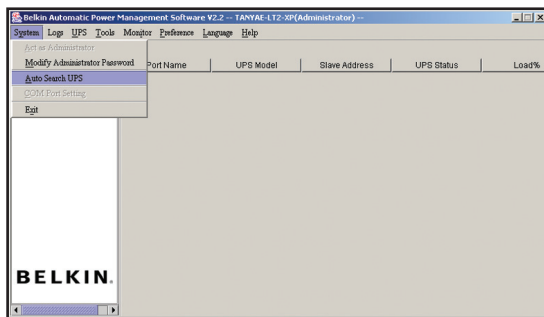
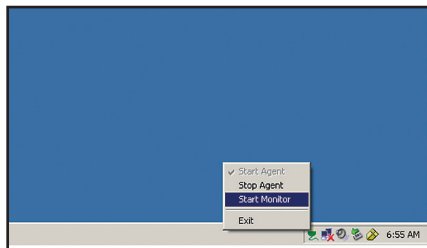
Installing Belkin Automatic Power Management Software

Step 2:

To launch the software,

PC - double click agent icon in your system tray to start the monitor

Mac - click the agent icon in your dock and select "Start Monitor"

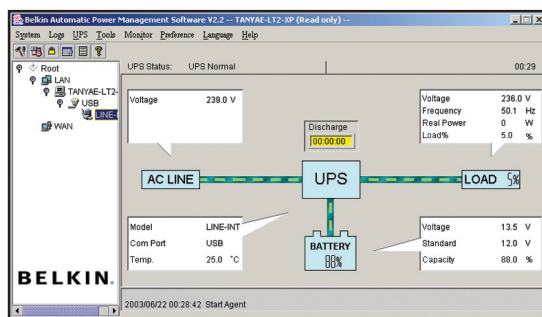


Step 3:

Select System Menu then "Auto Search UPS", the software should now detect your connected UPS.

Step 4:

Using the menu system on the left hand side of the software drill down levels until you reach the "LINE INT" level, you should receive a visual depiction of the operating UPS and general information about it's status.



Please consult the help menu in the software to configure advanced software features

Important Safety Instructions

Caution

Please read the following information carefully and save this manual for future reference. Disregard of these safety notes may endanger life or health, as well as the function of the equipment and the safety of your data.

- Do not connect this product to another battery backup, power board, surge protector, extension cord or double adapter.
- **Risk of Electric Shock.** Heatsinks are live. Disconnect unit before servicing.
- **Risk of Electric Shock.** This unit receives power from more than one source. Disconnection of AC sources and the DC source is required to de-energise this unit before servicing.
- **Risk of Electric Shock.** Hazardous live parts inside this unit are energised from the battery supply even when the power cord is connected.
- **Risk of Electric Shock.** Do not remove cover. No user serviceable parts inside. Refer servicing to qualified service personnel.
- The sum of the leakage current of the UPS and the connected equipment should not exceed 3.5mA.
- Do not dispose of batteries in a fire as they may explode.
- Do not open or damage the battery. Released electrolyte is harmful to the skin and eyes. It may be toxic.
- A battery can present a risk of electric shock and high short circuit current. The following precaution should be observed when working on batteries:
 - Remove watches, rings or other metal objects from the handles
 - Use tools with insulated handles
 - Wear rubber gloves and boots
 - Do not lay tools or metal parts on top of the batteries
 - Disconnect charging source prior to connecting or disconnecting batteries terminal.
- The maximum ambient temperature rating is 40°C

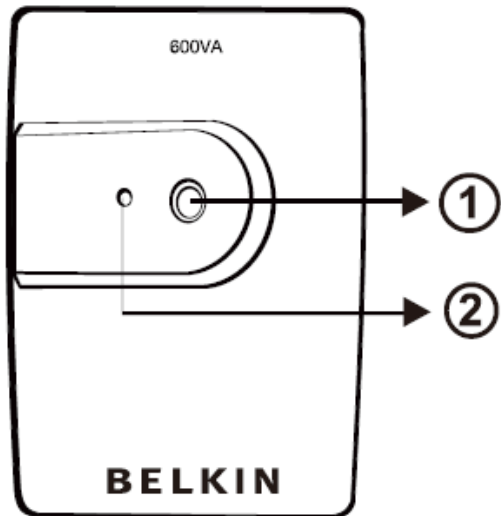
Specification

Model	F6U600au	
Capacity	VA/W	600VA/360W
Input	Voltage	220/230/240VAC
	Frequency	50/60Hz
	Phase	Single
Output (inverter Mode)	Voltage Range	220/230/240VAC\pm10%
	Frequency	50Hz or 60Hz\pm1Hz
	Waveform	Modified Sinwave
Transfer Time	Typical	2-6ms
Battery	Battery Type	12V7Ahx1
	Backup Time at a PC load with monitor (Typical 100W)	16-18 Minutes
	Recharging Time	6 hours max (recharge up to 90% capacity)
Display	LED	Power on, Backup, Fault
Audible Alarm	Battery Mode	Sounding every 10 seconds
	Low Battery	Sounding every second
	Overload	Sounding every 0.5 second
	Fault	Continuously Sounding
Protection	Full Protection	Overload, Modem/Phone Line Surge Protection and Short Circuit Protection
Physical	Dimension (DxWxH)	
	330x100x140 (mm)	
	Net Weight	5.2kgs
Environment	Outlets	4 outlets (1 for surge protection, 3 for surge protection with battery backup)
	IEC	
Environment	Operation Temperature	0-40°C
	Operation Humidity	0-90%
Interface	USB Port	Supports Windows 98/2000/ME/XP/Vista/7 x32 and x64, Mac OS 10.x, Linux

System Description

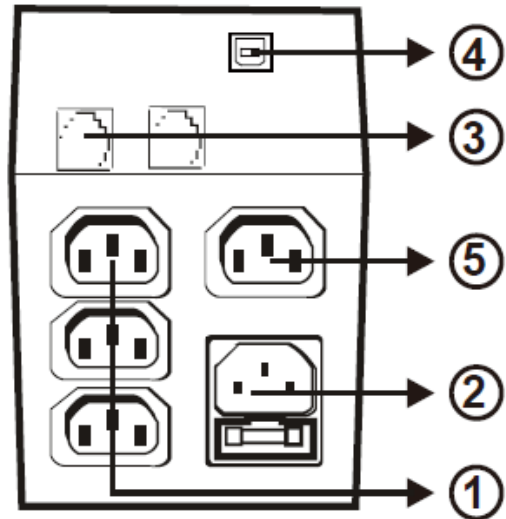
Front

- 1 Power Switch
- 2 LCD indicators
 - AC Mode: Green Lighting
 - Battery Mode: Green Flashing



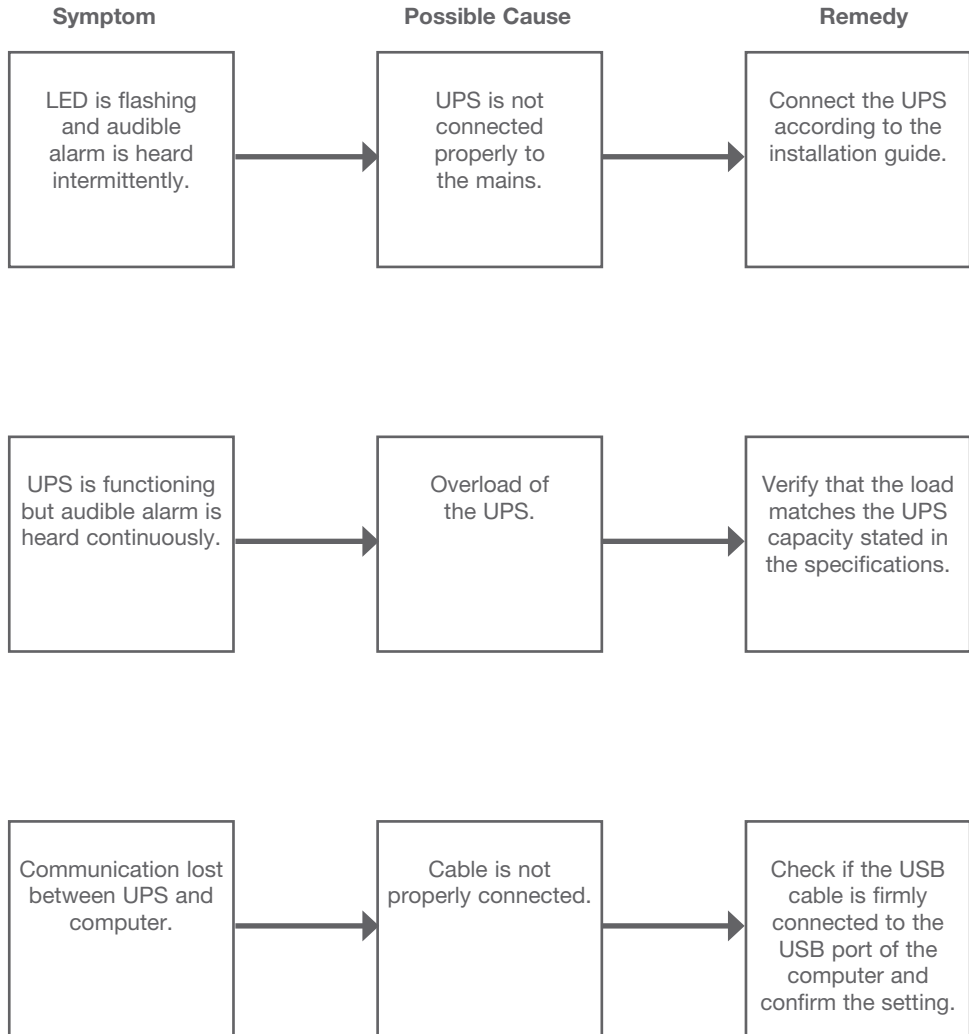
Back

- 1 Surge Protection Outlet
- 2 Modem/Phone Line Surge Protector
- 3 Modem/Phone Line Surge Protector
- 4 USB Port
- 5 Surge Protection Outlet



Troubleshooting

If the UPS failed to operate properly, please review the following points first.



BELKIN®

Belkin Ltd.
4 Pioneer Avenue
Tuggerah NSW 2259
Australia
Tel: 02 4350 4600
Fax: 02 4350 4700

© 2011 Belkin International, Inc. All rights reserved. All trade names are registered trademarks of respective manufacturers listed.

8820-00941

Free Manuals Download Website

<http://myh66.com>

<http://usermanuals.us>

<http://www.somanuals.com>

<http://www.4manuals.cc>

<http://www.manual-lib.com>

<http://www.404manual.com>

<http://www.luxmanual.com>

<http://aubethermostatmanual.com>

Golf course search by state

<http://golfingnear.com>

Email search by domain

<http://emailbydomain.com>

Auto manuals search

<http://auto.somanuals.com>

TV manuals search

<http://tv.somanuals.com>