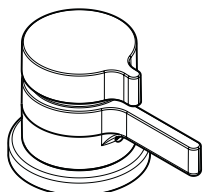
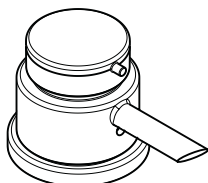


Installation Instructions / Warranty

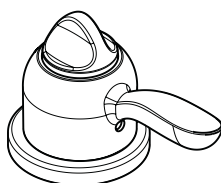
ThermoBalance II Deck Valve



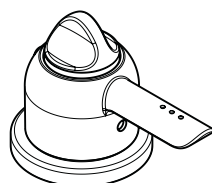
Metris S
06401XX0



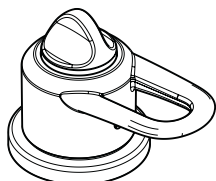
Focus S
06405000



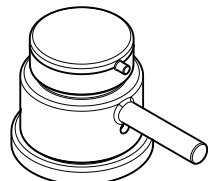
Solaris E
06450XX0



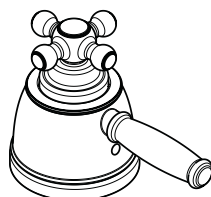
Stratos E
06451XX0



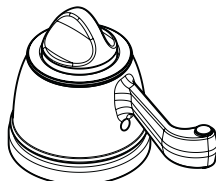
Metro E
06452XX0



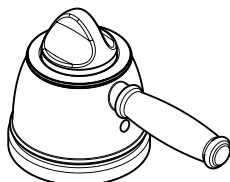
Talis S
06453XX0



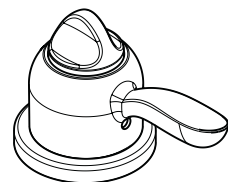
C Cross
06454XX0



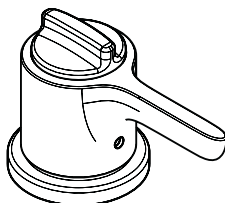
C Scroll
06455XX0



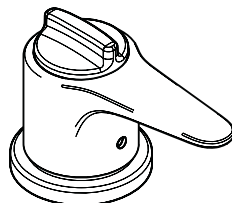
C Lever
06456XX0



Solaris² E
04172XX0



Allegro² E
04185XX0

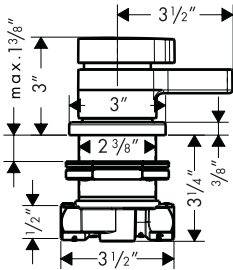


Metro² E
04198XX0

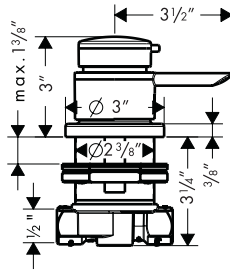
hangrohe

ThermoBalance II Deck Valve

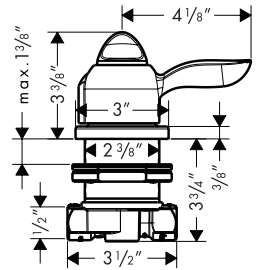
06401XX0	Metris S	06454XX0	C Cross
06405000	Focus S	06455XX0	C Scroll
06450XX0	Solaris E	06456XX0	C Lever
06451XX0	Stratos E	04172XX0	Solaris ² E
06452XX0	Metro E	04185XX0	Allegro ² E
06453XX0	Talis S	04198XX0	Metro ² E



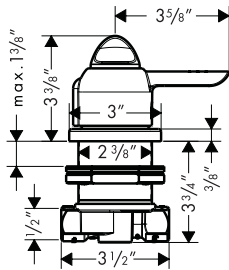
06401XX0



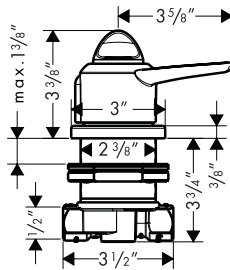
06405XX0



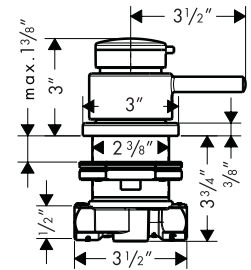
06450XX0



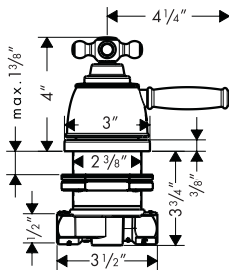
06451XX0



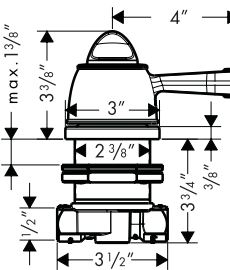
06452XX0



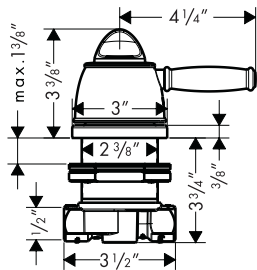
06453XX0



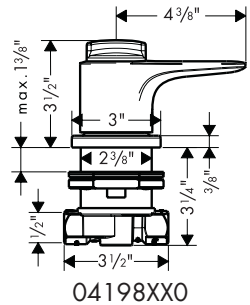
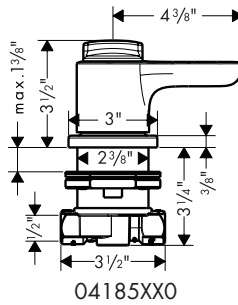
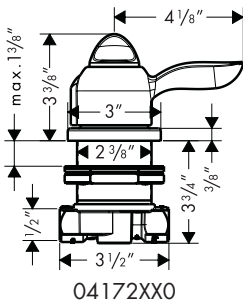
06454XX0



06455XX0



06456XX0



Technical Specification

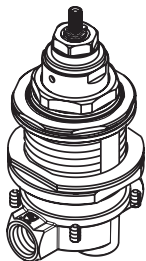
Recommended pressure	45 - 72 psi
Maximum hot water temp.	165° F*
Recommended hot water temp.	120° - 140° F*
Flow rate @ 44 PSI	8 gpm
Safety stop	100° F
1/2" female NPT inlets	
Maximum mounting surface thickness	1 3/8"
Hole size in mounting surface	2 3/8"

*Know and follow all applicable local plumbing codes when setting the temperature on the water heater.

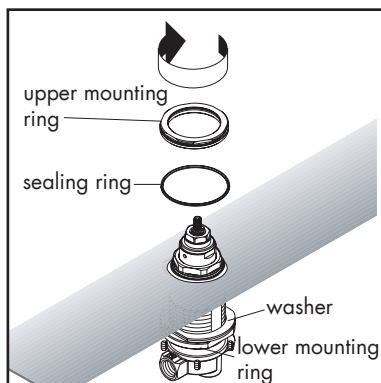
Installation Considerations

- For best results, Hansgrohe recommends that this unit be installed by a licensed, professional plumber.
- Please read over these instructions thoroughly before beginning installation. Make sure that you have all tools and supplies needed to complete the installation.
- The mounting surface must be installed and made watertight prior to installation.
- For best service of the ThermoBalance valve, the pressure of the incoming hot water and the pressure of the incoming cold water must be equal.
- This valve is for a two-function installation. Both outlets must be plumbed. If only one function is to be used, loop the two outlets together. **Do not plug either outlet.**
- Some areas have plumbing codes limiting the maximum output temperature. The high temperature limit stop may be reset to comply with these codes. See page 7.

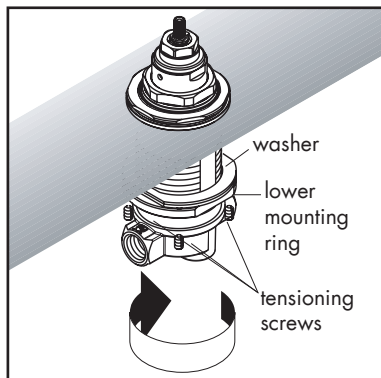
Install the rough



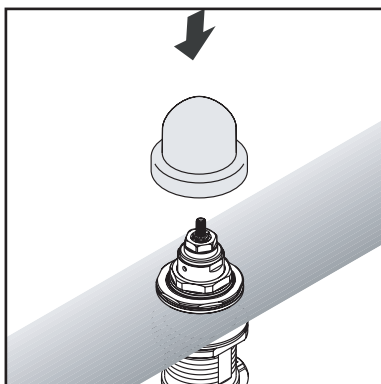
Remove the upper mounting ring.
Screw the lower mounting ring and washer to their lowest position.
Insert the rough up through the hole.
Install the upper mounting ring.
Tighten it as far as it will go without forcing it.



Rest the rough on the mounting surface.
Tighten the lower mounting ring and washer.
Tighten the tensioning screws.



Install the plaster shield.

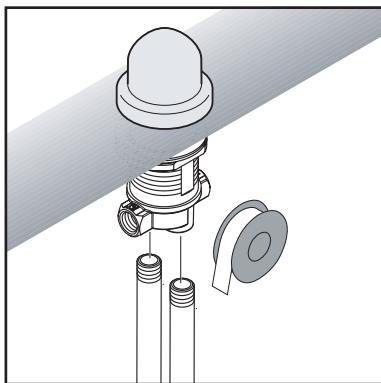
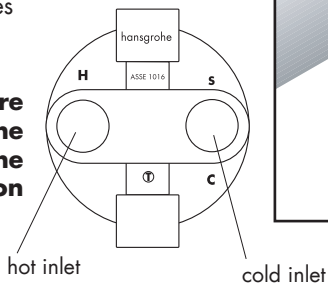


Install the hot and cold water supply lines*

Wrap the threads on the hot and cold supply pipes with Teflon tape.

Install the hot and cold supplies to the corresponding inlets.

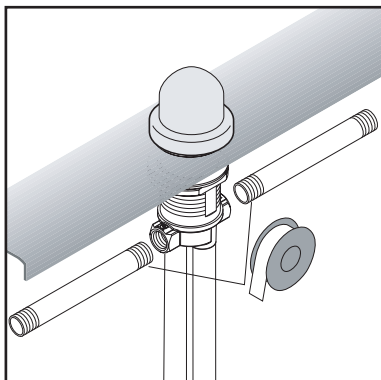
! If the supplies are not connected to the correct inlets, the valve cannot function properly!



Install the outlet lines*

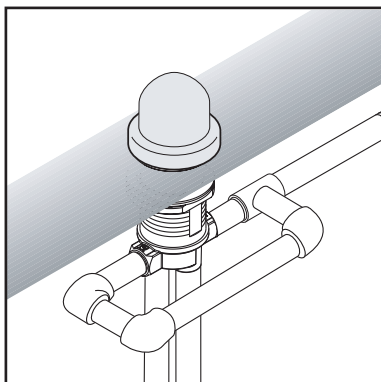
Wrap the threads on the outlet lines with Teflon tape.

Install the lines to the outlets.



If only one outlet is to be used, **do not plug the second outlet**. Tie the two outlet lines together.

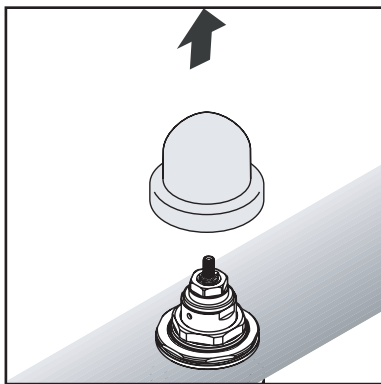
! Both outlets must be plumbed!



*follow the manufacturer instructions when using flexible hoses.

Install the valve trim

Remove the plaster shield.

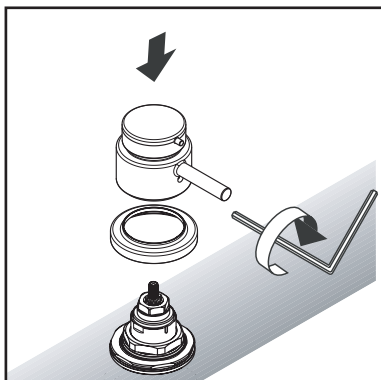
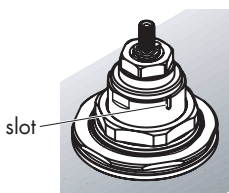


Push the escutcheon over the valve.

Install the handle. Tighten the screw with a 3 mm Allen wrench. The screw must engage the slot on the cartridge.

Justify the handle.

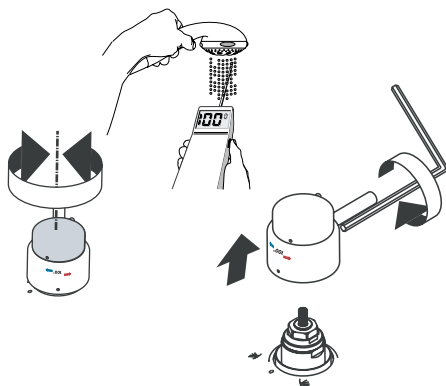
Set the high temperature limit stop, if required.



Justify the handle

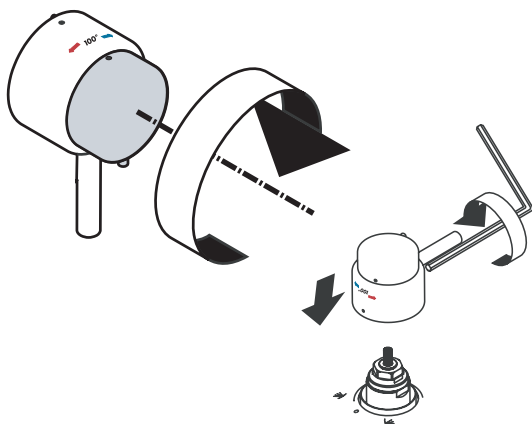
Turn the water on to the tub spout or hand-shower. Place a thermometer in the water stream. Turn the temperature control knob until the output water temperature is 100°F. Turn the water off.

Loosen the handle screw with a 3 mm Allen wrench. Remove the handle.



Hold the handle lever in one hand.
With the other hand, turn the temperature control knob until the 100° mark is next to the indexing mark on the handle.

Install the handle on the valve. Tighten the screw.



Set the high temperature limit stop (optional)

Turn the water on to the tub spout or handshower. Use a 3 mm Allen wrench to loosen the handle screw. Remove the handle from the valve.

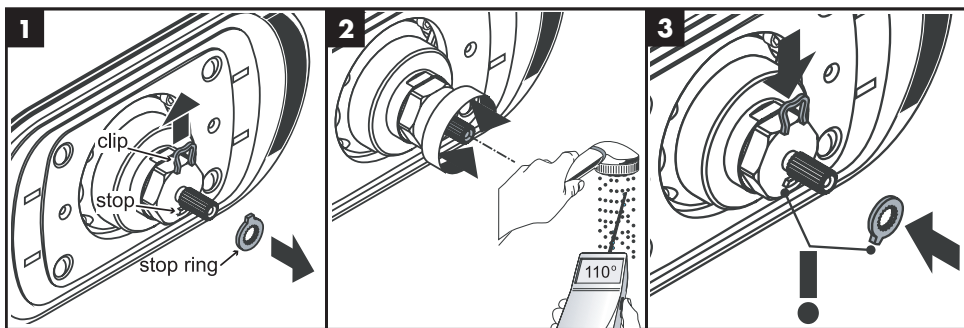
Carefully remove the retainer clip and the limit stop ring (1).

Turn the temperature control stem until the water is the desired high temperature, usually 110°F* (2). Turning the stem clockwise will make the water cooler, turning it counter-clockwise will make the water warmer.

Install the stop ring so that it is against the stop – you should not be able to turn the stem further counter-clockwise. Install the retainer clip (3).

Install the handle. Tighten the screw. Justify the handle.

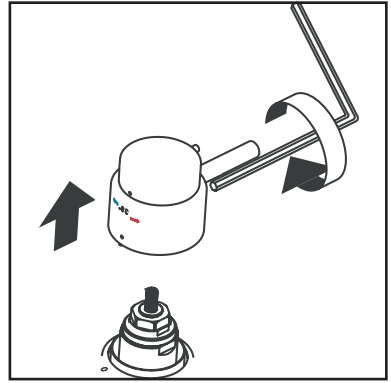
*Know and follow all applicable local plumbing codes when setting the high temperature limit stop. In Massachusetts, the maximum output temperature can be no higher than 112° F.



Maintenance: Clean the filters

CAUTION: Turn off the water at the main or with the service stops, before opening the valve.

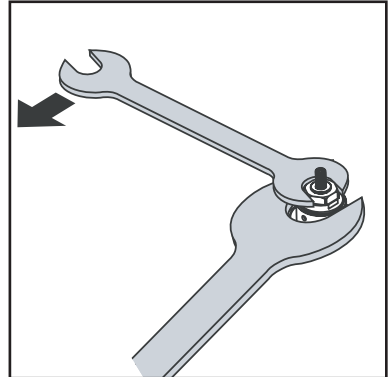
Remove the handle and escutcheon.



Grasp the wrench flats on the cartridge stop unit with a wrench.

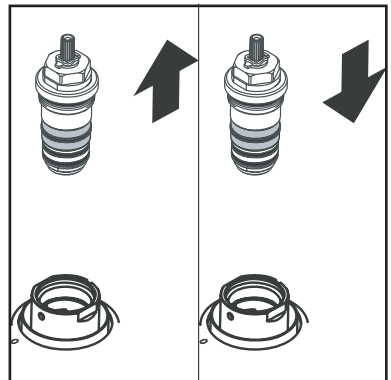
Hold the stop unit still with one wrench. Use a second wrench or a 17mm deep socket wrench to unscrew and remove the thermostatic cartridge.

! Failure to hold the stop unit steady while unscrewing or replacing the thermostat cartridge will result in damage to the stop unit.

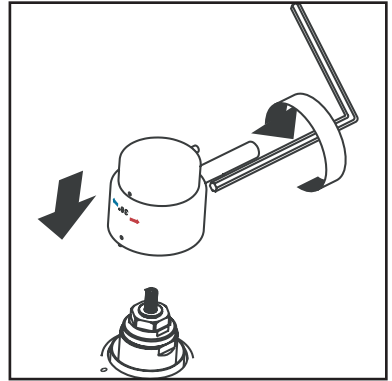


Rinse the debris from the filters, using a soft toothbrush if necessary. Do not attempt to remove the screens.

Lubricate the o-rings with white plumbers grease. Install the thermostatic cartridge in the stop unit.



Justify the handle.



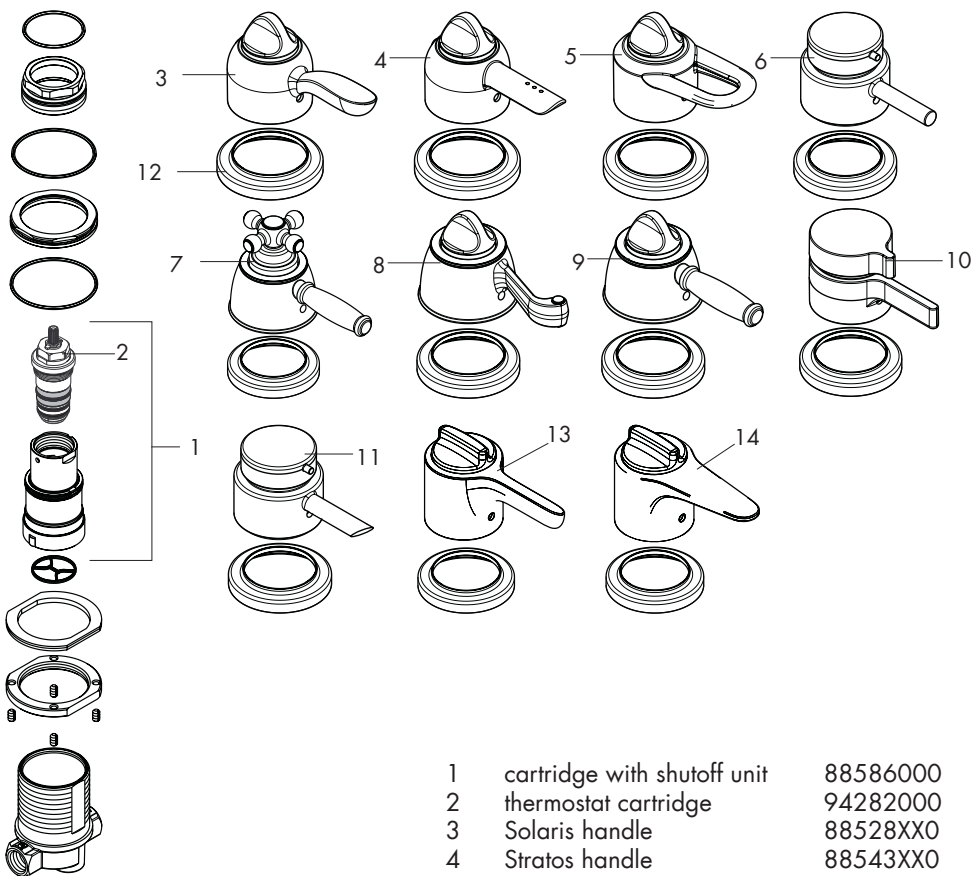
User instructions

From the off position, turn the diverter lever clockwise or counter-clockwise to obtain water from either of the two functions.

Turn the temperature control knob clockwise to make the water cooler. Turn it counter-clockwise to make the water warmer.

When turning the knob counter-clockwise, it will stop when the output water is 100°. To obtain water hotter than 100°, push downward on the temperature control knob and continue turning it counter-clockwise.

Replacement parts



1	cartridge with shutoff unit	88586000
2	thermostat cartridge	94282000
3	Solaris handle	88528XX0
4	Stratos handle	88543XX0
5	Metro handle	88548XX0
6	Talis handle	88549XX0
7	Cross handle	88608XX0
8	Scroll handle	88609XX0
9	Lever handle	88610XX0
10	Metris handle	
11	Focus handle	
12	escutcheon	
13	Allegro ² handle	
14	Metro ² handle	

XX = color code

00 = chrome

62 = oil rubbed bronze

82 = brushed nickel

83 = polished nickel

Cleaning Recommendation for Hansgrohe Products

Modern lavatory faucets, kitchen faucets, and showers consist of very different materials to comply with the needs of the market with regard to design and functionality. To avoid damage and returns, it is necessary to consider certain criteria when cleaning.

Cleaning Materials for Faucets and Showers

Acids are a necessary ingredient of cleaning materials for removing lime, however please pay attention to the following points when cleaning faucets and showers:

- Only use cleaning materials which are explicitly intended for this type of application.
- Never use cleaning materials which contain hydrochloric, formic, phosphoric, or acetic acid, as they cause considerable damage.
- Never mix one cleaning material with another.
- Never use cleaning materials or appliances with an abrasive effect, such as unsuitable cleaning powders, sponge pads, or micro fiber cloths.

Cleaning Instructions for Faucets and Showers

Please follow the cleaning material manufacturer's instructions. In addition, pay attention to the following points:

- Clean the faucets and showers as and when required
- Use the amount of cleaning product and the amount of time recommended by the manufacturer. Do not leave the cleaner on the fixture longer than necessary.
- Regular cleaning can prevent calcification.
- When using spray cleaners, spray first onto a soft cloth or sponge. Never spray directly onto the faucet as droplets can enter openings and gaps and cause damage.
- After cleaning, rinse thoroughly with clean water to remove any cleaner residue.

Important

Residues of liquid soaps, shampoos, and shower foams can also cause damage, so rinse with clean water after using.

Please note: if the surface is already damaged, the effect of cleaning materials will cause further damage.

Components with damaged surfaces must be replaced or injury could result.

Damage caused by improper treatment is not covered under the warranty.

Limited Lifetime Consumer Warranty

This product has been manufactured and tested to the highest quality standards by Hansgrohe, Inc. ("Hansgrohe"). This warranty is limited to Hansgrohe products which are purchased by a consumer in the United States after March 1, 1996, and installed in either the United States or Canada.

WHO IS COVERED BY THE WARRANTY

This warranty extends to the original consumer purchaser only. This warranty is non-transferable.

WHAT IS COVERED BY THE WARRANTY

This warranty covers only your Hansgrohe manufactured product. Hansgrohe warrants this product against defects in material or workmanship as follows: Hansgrohe will repair at no charge for parts only or, at its option, replace any product or part of the product that proves defective because of improper workmanship and/or material, under normal installation, use, service and maintenance. If Hansgrohe is unable to provide a replacement and repair is not practical or cannot be timely made, Hansgrohe may elect to refund the purchase price in exchange for the return of the product.

LENGTH OF WARRANTY

Replacement or repaired parts of products will be covered for the term of this warranty as stated in the following two sentences. If you are a consumer who purchased the product for use primarily for personal, family, or household purposes, this warranty extends for as long as you own the product and the home in which the product is originally installed. If you purchased the product for use primarily for any other purpose, including, without limitation, a commercial purpose, this warranty extends only (i) for 1 year, with respect to Hansgrohe and Commercial products, and (ii) for 5 years, with respect to AXOR products.

THIS WARRANTY DOES NOT COVER, AND HANSGROHE WILL NOT PAY FOR:

- A. Conditions, malfunctions or damage not resulting from defects in material or workmanship.
- B. Conditions, malfunctions or damage resulting from (1) normal wear and tear, improper installation, improper maintenance, misuse, abuse, negligence, accident or alteration, or (2) the use of abrasive or caustic cleaning agents or "no-rinse" cleaning products, or the use of the product in any manner contrary to the product instructions. (3) Conditions in the home such as excessive water pressure or corrosion.
- C. Labor or other expenses for the disconnection, deinstallation, or return of the product for warranty service, or for installation or installation of the product (including but not limited to proper packaging and shipping costs), or for installation or installation of the product.
- D. Accessories, connected materials and products, or related products not manufactured by Hansgrohe.

TO OBTAIN WARRANTY PARTS OR INFORMATION

Contact your Hansgrohe retailer, or contact Technical Service at:

Hansgrohe Inc.
1492 Bluegrass Lakes Parkway
Alpharetta GA 30004
Toll-free (800) 334-0455.

In requesting warranty service, you will need to provide

- 1. The sales receipt or other evidence of the date and place of purchase.
- 2. A description of the problem.
- 3. Delivery of the product or the defective part, postage prepaid and carefully packed and insured, to Hansgrohe Inc. 1492 Bluegrass Lakes Parkway, Alpharetta, Georgia 30004, Attention: Technical Service, if required by Hansgrohe.

When warranty service is completed, any repaired or replacement product or part will be returned to you postage prepaid.

EXCLUSIONS AND LIMITATIONS

REPAIR OR REPLACEMENT (OR, IN LIMITED CIRCUMSTANCES, REFUND OF THE PURCHASE PRICE) AS PROVIDED UNDER THIS WARRANTY IS THE EXCLUSIVE REMEDY OF THE PURCHASER. HANSGROHE NEITHER ASSUMES NOR AUTHORIZES ANY PERSON TO CREATE FOR IT ANY OBLIGATION OR LIABILITY IN CONNECTION WITH THIS PRODUCT.

HANSGROHE SHALL NOT BE LIABLE TO PURCHASER OR ANY PERSON FOR ANY INCIDENTAL, SPECIAL, OR CONSEQUENTIAL DAMAGES, ARISING OUT OF BREACH OF THIS WARRANTY OR ANY IMPLIED WARRANTY (INCLUDING MERCHANTABILITY).

Some States do not allow the exclusion or limitation of incidental or consequential damages, so the above limitation or exclusion may not apply to you. This warranty gives you specific legal rights, and you may have other rights which vary from State to State. You may be required by law to give us a reasonable opportunity to correct or cure any failure to comply before you can bring any action in court against us under the Magnuson-Moss Warranty Act.

PRODUCT INSTRUCTIONS AND QUESTIONS

Upon purchase or prior to installation, please carefully inspect your Hansgrohe product for any damage or visible defect. Prior to installing, always carefully study the enclosed instructions on the proper installation and the care and maintenance of the product. If you have questions at any time about the use, installation, or performance of your Hansgrohe product, or this warranty, please call or write to us or call us toll-free at 800 334 0455.

hansgrohe

Hansgrohe, Inc. • 1490 Bluegrass Lakes Parkway • Alpharetta, GA 30004
Tel. 770-360-9880 • Fax 770-360-9887

www.hansgrohe-usa.com

Free Manuals Download Website

<http://myh66.com>

<http://usermanuals.us>

<http://www.somanuals.com>

<http://www.4manuals.cc>

<http://www.manual-lib.com>

<http://www.404manual.com>

<http://www.luxmanual.com>

<http://aubethermostatmanual.com>

Golf course search by state

<http://golfingnear.com>

Email search by domain

<http://emailbydomain.com>

Auto manuals search

<http://auto.somanuals.com>

TV manuals search

<http://tv.somanuals.com>