



Atwood Mobile Products LLC
 1120 North Main Street • Elkhart, IN 46514
 PHONE: 574•264•2131 FAX: 574•262•2550
 INTERNET: http://www.atwoodmobile.com

LITERATURE NUMBER **MPD 31492**

hydro flame™

**Model 1H2C
 Digital Thermostat**

**FOR STANDARD FURNACES
 & A/C SYSTEMS**



ENGLISH, FRANCAIS (et Canada)

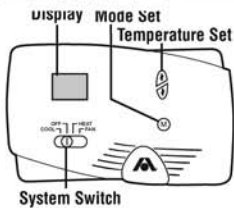
•Installation •Operation

Effective 9/21/04

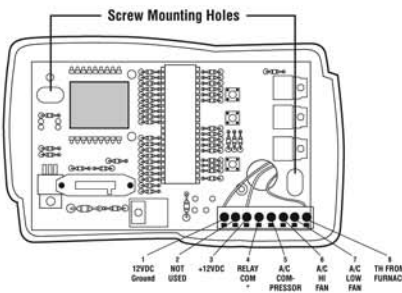
THIS THERMOSTAT HAS BEEN DESIGNED TO OPERATE STANDARD AIR CONDITIONING UNITS IN CONJUNCTION WITH A RV FURNACE.

SPECIFICATIONS

Operating Voltage 9VDC to 18VDC
 Current Consumption at 12VDC 100mA
 Operating Temp. -40F to +185F
 Room Temp. Range +55F to +90F
 Room Temp. Display Range +35F to +99F
 Thermostat Accuracy +/- 1F
 Switching Capability A/C up to 24 VAC
 (max. 2 AMPS)



*Note: Move jumper to positions 3 and 4 for RVP Unit. Discard jumper for Dometic®.



SLIDE SWITCH		SCROLL ORDER OF DISPLAYED MODES		OPERATION
LEFT	RIGHT			
COOL	OFF	HEAT	FAN	Furnace Operation
		●		Furnace cycles to satisfy set point.
COOL	OFF	HEAT	FAN	Air Conditioner Operation
●				Air conditioner automatically switches compressor and high and low speed fan when cycling to satisfy set point.
●				Air conditioner compressor and high speed fan cycle to satisfy set point.
●				Air conditioner compressor and low speed fan cycle to satisfy set point.
COOL	OFF	HEAT	FAN	Fan Operation
			●	Air conditioner fan runs at high speed to circulate air.
			●	Air conditioner fan runs at low speed to circulate air.
COOL	OFF	HEAT	FAN	Off
	●			No operation occurs.

WIRING REQUIREMENTS FOR ATWOOD THERMOSTAT

THERMOSTAT INSTALLATION

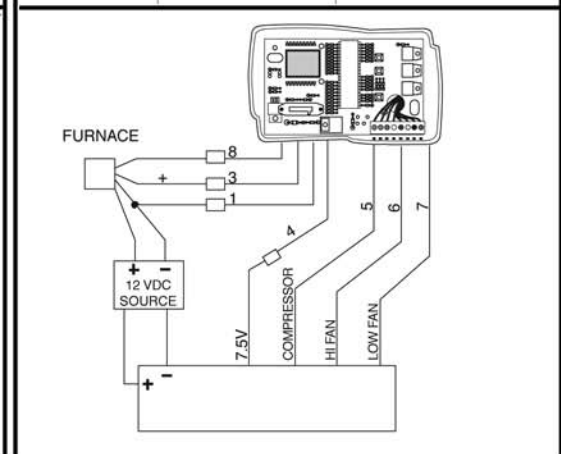
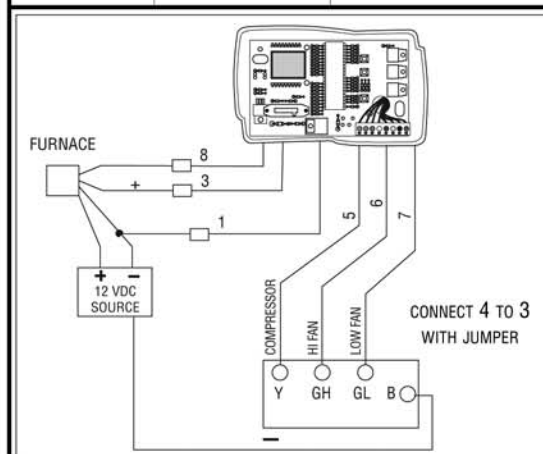
Thermostat is very sensitive. HANDLE WITH CARE AT ALL TIMES.

Locate thermostat 48" to 54" above floor on an INTERIOR wall. Pick a dry area where air circulation is good. EXTERIOR wall location must have a 3/4" spacer between thermostat and exterior wall.

1. Be sure all electrical power has been disconnected from the air conditioner, furnace and the power supply.
2. Do not install the thermostat where there are unusual heating conditions: such as direct sunlight, heat producing appliances (television, radio, wall lamp, etc.) or a furnace or air conditioner supply register.
3. ATTACHING THE WALL THERMOSTAT. Separate the thermostat body from the sub-base by gently squeezing the top and bottom, connecting wiring per requirements. Attach thermostat sub-base to the wall at desired mounting location.

THERMOSTAT TERMINAL # (L-R)	WIRE FROM FURNACE FUNCTION	WIRE FROM A/C FUNCTION
1	-12vdc ground	
2	not used	not used
3 & 4	+12vdc	
5		Compressor
6		High Fan
7		Low Fan
8	Furnace Control	

THERMOSTAT TERMINAL # (L-R)	WIRE FROM FURNACE FUNCTION	WIRE FROM A/C FUNCTION
1	-12vdc ground	
4		7.5 vdc
3	+12vdc	
5		Compressor
6		High Fan
7		Low Fan
8	Furnace Control	



Free Manuals Download Website

<http://myh66.com>

<http://usermanuals.us>

<http://www.somanuals.com>

<http://www.4manuals.cc>

<http://www.manual-lib.com>

<http://www.404manual.com>

<http://www.luxmanual.com>

<http://aubethermostatmanual.com>

Golf course search by state

<http://golfingnear.com>

Email search by domain

<http://emailbydomain.com>

Auto manuals search

<http://auto.somanuals.com>

TV manuals search

<http://tv.somanuals.com>