



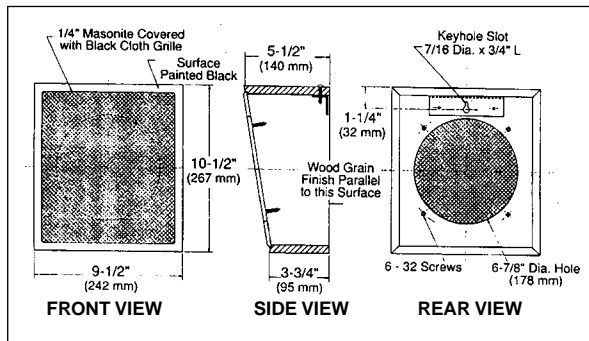
PRE-ASSEMBLED 8" LOUDSPEAKER, TRANSFORMER, SURFACE BAFFLE

WD Series

ONE



WD Series



FEATURES

- Loudspeaker/Transformer/ Baffle Packages are Convenient and Cost Effective
- Attractive Design is Suitable for Use in a Variety of Surface-Mount Applications
- 9.5° Sloped Design Offers Directional Sound Projection
- Includes High-Quality 8" Loudspeaker with Line Transformer
- Available in 25, 70.7 and Dual-Voltage Models with Knob /Screwdriver-Adjust Volume Control Option

APPLICATIONS

Utilize Atlas Sound WD Series slope-front loudspeaker/baffle packages for a wide variety of surface-mount applications where aesthetics and high-quality sound reproduction are primary concerns. This attractive model series has been installed in offices, conference centers, reception areas, classrooms, lecture halls and retail outlets.

GENERAL DESCRIPTION

WD Series. These loudspeaker/baffle packages feature a walnut grain wall baffle/enclosure with an attractive black fabric grille (Atlas Sound Model 417-WD). Baffles are designed with a 9.5° slope to provide directional sound dispersion offset in the direction of radiation. Units are constructed of durable particle board and finished with a walnut grain vinyl covering.

Each package contains a high-quality 8" dia. loudspeaker with a 5-ounce ceramic magnet and exhibits a wide frequency response with low distortion. A pre-assembled transformer is available in 25 volt and dual-voltage (25/70.7) versions with four power taps (refer to model/package descriptions below). Each package is also available with a 50-ohm pot volume control for individual loudspeaker adjustment (specify models with "V" suffix). Knob may be removed and volume adjusted with a screwdriver to provide additional security if required.

MODEL / PACKAGE DESCRIPTION	
WD417-25	8" loudspeaker with 25-volt transformer
WD417-70	8" loudspeaker with 70.7-volt transformer
WD417-72	8" loudspeaker with 25/70.7-volt transformer
WD417-72V	Model WD417-72 Plus 50 Ohm Pos Volume Control

BAFFLE / ENCLOSURE SPECIFICATIONS					
ALL WD SERIES MODELS INCLUDE BAFFLE MODEL	ENCLOSURE DIMENSIONS				
	SLOPE	WIDE	HIGH	PROJECTS, TOP	PROJECTS, BOTTOM
417-8WD	9.5°	9 1/2" (242 mm)	10 1/2" (267 mm)	5 1/2" (140 mm)	3 3/4" (95 mm)

LOUDSPEAKER SPECIFICATIONS	
SIZE	8" (203mm)
MAGNET	5.0 oz. (132g) Ceramic
V.C. DIAMETER	1" (25mm)
V.C. IMPEDANCE	8 ohms
FLUX DENSITY	9,200 gauss
SENSITIVITY	96dB at 1 watt, 1 meter
WATTS (PROGRAM)	15
FREQ. RESPONSE	50 Hz - 15 kHz

TRANSFORMER SPECIFICATIONS			
MODEL	25 VOLT	70.7 VOLT	25/70.7 VOLT
PRIMARY VOLTS	25	70.7	25/70.7
SECONDARY	8 ohms	8 ohms	8 ohms
CORE SIZE	1/2" x 5/8" (13 x 16 mm)	1/2" x 5/8" (13 x 16 mm)	1/2" x 5/8" (13 x 16 mm)
TAPS	C, 1/2, 1, 2, 5,	C, 1/2, 1, 2, 5	C, 1/2, 1, 2, 4
POWER	5 watts	5 watts	4 watts
LEADS	Color coded, stripped & tinned		

Specifications subject to change without notice



1601 JACK MCKAY BLVD. / ENNIS, TEXAS 75119 U.S.A. / TELEPHONE: (800) 876-3333 / FAX (800) 765-3435

ARCHITECT AND ENGINEER SPECIFICATIONS

WD Series. The loudspeaker/transformer/baffle package shall be Atlas Sound WD Series Model _____. Loudspeaker shall be an 8" (203mm) dia. cone type with a 5-ounce (132g) ceramic magnet. Frequency response shall be 50Hz-15kHz with a sensitivity of 96dB at 1 watt, 1 meter. Voice coil diameter shall be 1" (25mm) with an 8-ohm impedance. Power handling capacity shall be 15 watts program. The transformer shall have a $\frac{1}{2}$ " x $\frac{5}{8}$ " core with primary taps of 1/2, 1, 2

and 5 watts or 1/2, 1, 2 and 4 watts. The transformer voltage shall be ____ (70.7, 25, or 25/70.7). Baffle (Atlas Sound Model 417-8VD) shall slope 9.5° offset in the direction of radiation and be of particle board construction covered with a walnut laminate and black cloth grille. Baffle shall measure 9½" (242 mm) wide and 10½" (267mm) high with a projection of 5½" (140mm) at the top and 3¾" (95mm) at the bottom.

Specifications subject to change without notice



1601 JACK MCKAY BLVD. / ENNIS, TEXAS 75119 U.S.A. / TELEPHONE: (800) 876-3333 / FAX (800) 765-3435

Free Manuals Download Website

<http://myh66.com>

<http://usermanuals.us>

<http://www.somanuals.com>

<http://www.4manuals.cc>

<http://www.manual-lib.com>

<http://www.404manual.com>

<http://www.luxmanual.com>

<http://aubethermostatmanual.com>

Golf course search by state

<http://golfingnear.com>

Email search by domain

<http://emailbydomain.com>

Auto manuals search

<http://auto.somanuals.com>

TV manuals search

<http://tv.somanuals.com>