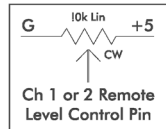
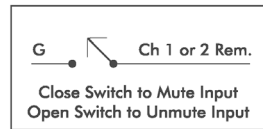


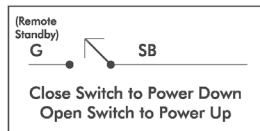
## Preset, Remote & Standby Wiring



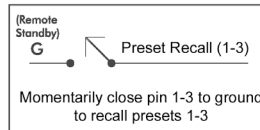
Remote  
Level Control



Using Remote Level Control  
To Mute Input



Remote Standby



Preset Recall



## Specifications

Optional Protea <sup>ne</sup> DSP Input Card	
Latency	Analog - 1.512 ms at 48KHz sampling. Digital - 0.784 ms at 96KHz sampling.
A/D, D/A Converters:	24-bit
DSP	32-bit, floating-point
Digital Input Type	AES/EBU 24 bit 44.1 to 96KHz
Signal Flow Architecture	"Click and hot plug" flexible architecture, non-compiling
Available Processing Blocks	
Equalization	Parametric, Notch, Graphic, Shelving, HPF/LPF, All pass, Bandpass
Signal Delay	Up to 967msec any input/output
HPF/LPF	Up to 8th order (48 dB/octave)
Compressor/Limiter, Gate, Meter	
Signal Generator	Pink noise, White Noise, Sine Wave
Level Control	With or without DVCA subgrouping

### Ashly Audio Inc.

847 Holt Road, Webster, NY 14580-9103

Toll Free (800) 828-6308, Tel (585) 872-0010, FAX (585) 872-0739

www.ashly.com

All Trademarks referred to herein, are the property of their respective owners.

PE-Series Amplifiers

Protea<sup>ne</sup> DSP Option Cards

Installation and User Guide

Copyright© 2006 – Ashly Audio Inc. All Rights Reserved  
Rev 1.2 1007

## PE DSP

The Protea<sup>nc</sup>-DSP cards are only for use in Ashly PE-Series (Protea Enabled) amplifiers. The DSP-1 and DSP-2 cards offer a wide range of digital features that extend the functionality of your PE-Series amplifier.

## Installation

If the Protea<sup>nc</sup>-DSP Option Card was ordered with your amplifier, no installation is necessary. If you are retrofitting it to a PE-Series amplifier that you own already, follow these steps:

1. Disconnect the amplifier mains as well as all inputs and outputs
2. Remove the 4 screws on the Standard Input card
3. Carefully pull the Standard Input card from the chassis
4. Remove the internal connectors from the Standard Input card
5. Reconnect the internal connectors to the Protea<sup>nc</sup>-DSP Option Card
6. Carefully slide the new card into the chassis
7. Replace the screws, inputs, outputs and mains

You can now power-up your amplifier and use your new card. If you are not comfortable performing this installation, refer this task to an authorized Ashly service provider.

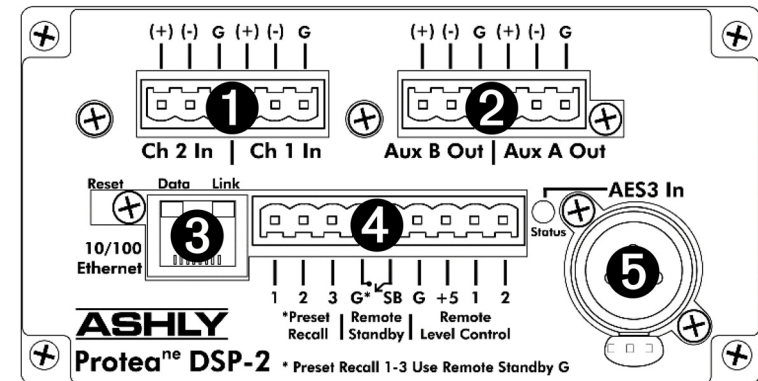
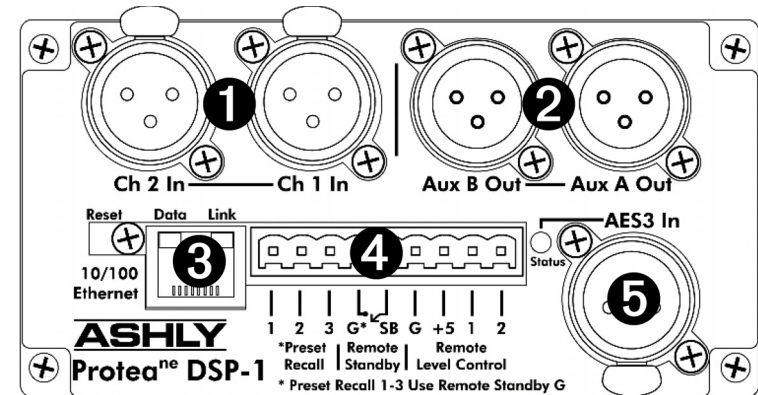
The Protea<sup>nc</sup> software is on the CD shipped with your amplifier. Check [www.ashly.com](http://www.ashly.com) for software and firmware updates.

## Features

Both Protea<sup>nc</sup>-DSP Option Cards offer the same features, with different connectors. The cards provide both AES/EBU digital inputs as well as standard analog inputs.

Internal digital processing setup is accomplished via Ashly Protea<sup>nc</sup> software connected through the 10/100 Ethernet connector. To maximize your investment in a Protea<sup>nc</sup>-DSP Option Card, two additional “processed” output connectors are provided to drive additional amplifier channels.

## Panel Details



1. **Balanced Inputs** – On the DSP-1, these inputs are standard female XLR connectors. On the DSP-2 these inputs are via 3-pin Euroblock grounded connectors.
2. **Processed Channel Outputs** – These connectors provide processed signal to additional amplifiers via male XLR connectors (DSP-1) or Euroblock connectors (DSP-2).
3. **Ethernet Connector & Indicators** – The 10/100 Ethernet connector interfaces with a Protea NE network, or computer if available. The indicators show network link and data activity. All DSP control is via this interface and Protea software on a connected PC.
4. **Preset Recall, Remote Standby & Remote Level Control Connector** – This connector facilitates hard-wired preset recall (as set in in Protea software), remote standby and remote attenuation control. See wiring diagram on the next page for connection and contact closure information
5. **AES/EBU Input Connector** – This connector accepts a standard AES/EBU digital signal at 44.1 to 96 KHz

## Free Manuals Download Website

<http://myh66.com>

<http://usermanuals.us>

<http://www.somanuals.com>

<http://www.4manuals.cc>

<http://www.manual-lib.com>

<http://www.404manual.com>

<http://www.luxmanual.com>

<http://aubethermostatmanual.com>

Golf course search by state

<http://golfingnear.com>

Email search by domain

<http://emailbydomain.com>

Auto manuals search

<http://auto.somanuals.com>

TV manuals search

<http://tv.somanuals.com>