

T506.602 Shown with R126SS

#### GENERAL DESCRIPTION:

Cast brass valve body. Washerless 47mm ceramic disc valve cartridge with volume and temperature control. Hot limit safety stop. Pressure balancing cartridge maintains constant output temperature in response to changes in relative hot and cold supply pressures. 1/2" NPT threaded inlets/outlets with screwdriver stops. Showerhead has 2.5gpm/9.5L/min. flow restrictor. Integral diverter. Durable brass wall escutcheon. Metal lever handle. Rough-in plaster guard designed for use as thin-wall mounting adapter. Brass tub spout.

#### PRODUCT FEATURES:

**Solid Brass Construction:** Durable, ideal material for prolonged contact with water.

**Ceramic Disc Valve Cartridge:** Assures a lifetime of drip-free performance. Allows easy control over both water temperature and volume.

**Pressure Balancing Valve:** Maintains output temperature in response to changes in relative hot and cold supply pressure. Diaphragm system engineered to eliminate cross flow and spool "thumping". Avoids failure due to mineral deposits - ideal for use with hard water.

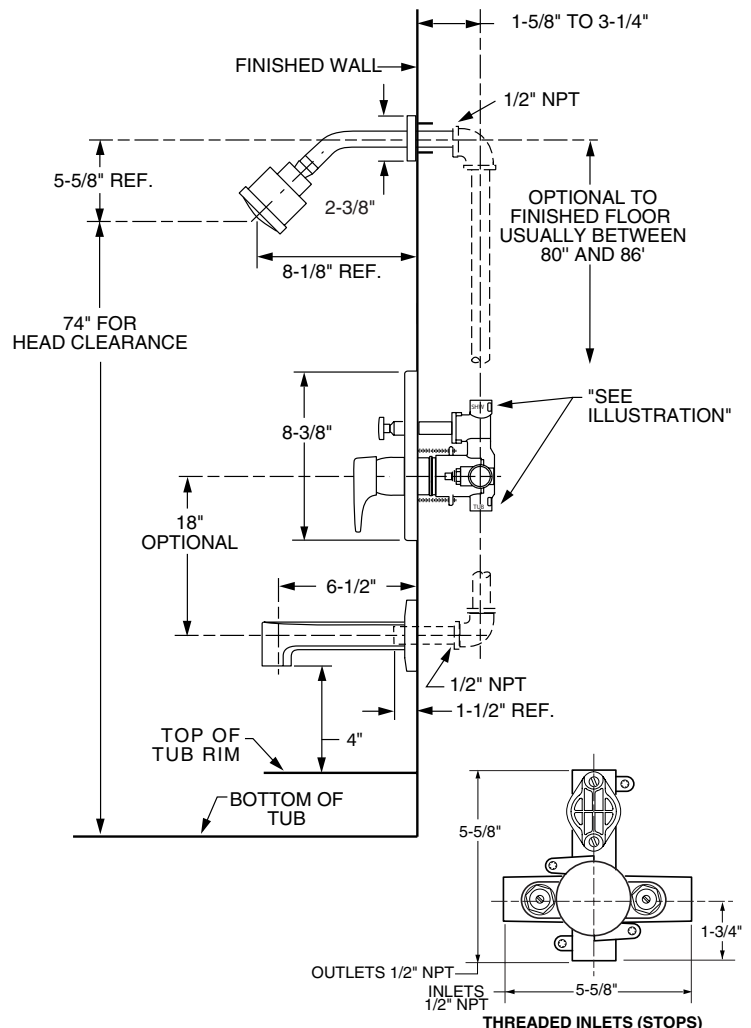
**Built-in Diverter:** Easy to use, integrated in valve body and includes positive shut-off. Allows spout and showerhead in any desired installation location.

**Adjustable Hot Limit Safety Stop:** Limits the amount of hot water allowed to mix with cold. Reduces the risk of accidental scalding.

**Integral Plaster Guard and Mounting Plate:** Plaster guard designed to protect valve during installation and to serve as a mounting plate for thin wall installations.

#### MODEL NUMBER:

- ☐ R126SS Pressure Balance Rough Valve Body With Built-in Diverter & Screw Driver Stops. LESS Trim.
- ☐ T506.602 Bath/shower Trim Kit With Built-in Diverter
  - Brass wall escutcheon with built-in diverter
  - Adjustable "3 function" Showerhead
  - Brass tub spout
  - LESS Valve
- ☐ T506.600 Valve Only Trim Kit With Built-in Diverter
  - Brass wall escutcheon
  - LESS Valve



#### SUGGESTED SPECIFICATION:

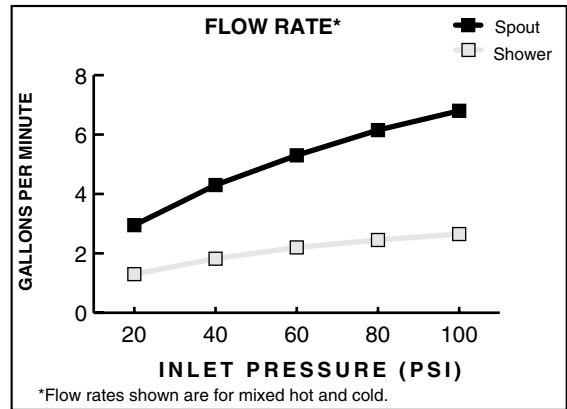
Bath/shower fitting shall be cast brass construction with all brass spout. Shall also feature washerless ceramic disc valve cartridge. Fitting shall be equipped with a pressure balancing mechanism and hot limit safety stop. Fitting shall be American Standard Model # R126SS with T506.\_\_\_\_.\_\_\_\_ trim kit.

#### PRESSURE BALANCE BATH/SHOWER


**CODES AND STANDARDS**

These products meet or exceed the following codes and standards:

- ANSI A117.1**
- ASME A112.18.1**
- CSA B 125**
- ASSE 1016**



Product Number	Description	Finish Options	
		Polished Chrome	PVD Stainless Steel
		002	075
R126SS	Pressure Balance Rough Valve Body w/Built-in Diverter & Screw Driver Stops. LESS Trim.	<b>N/A</b>	<b>N/A</b>
T506.602	Bath/Shower Trim Kit. LESS Valve.		
T506.600	Valve only Trim Kit. LESS Valve.		

 Meets the American Disabilities Act Guidelines and **ANSI A117.1** Requirements for the physically challenged.

## Free Manuals Download Website

<http://myh66.com>

<http://usermanuals.us>

<http://www.somanuals.com>

<http://www.4manuals.cc>

<http://www.manual-lib.com>

<http://www.404manual.com>

<http://www.luxmanual.com>

<http://aubethermostatmanual.com>

Golf course search by state

<http://golfingnear.com>

Email search by domain

<http://emailbydomain.com>

Auto manuals search

<http://auto.somanuals.com>

TV manuals search

<http://tv.somanuals.com>