

ACRYLUX™ 36" x 36" SHOWER PAN

☐ **3636Y1.SR SHOWER PAN**

Product Features:

- High-gloss acrylic-capped ABS with fiberglass reinforcement
- Integral tiling flange on all sides
- Textured bottom



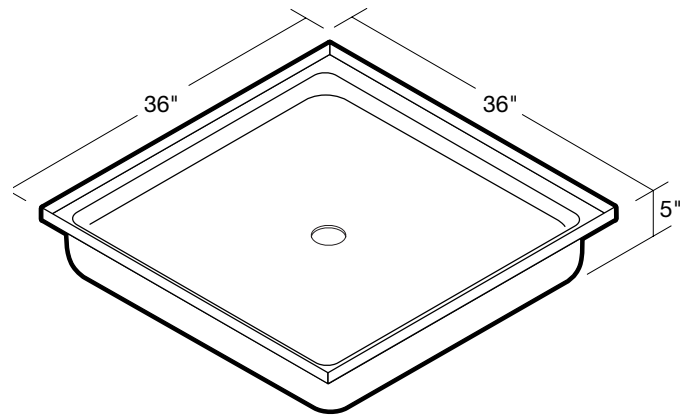
Nominal Dimensions:

36" x 36" x 5"
(914 x 914 x 127mm)

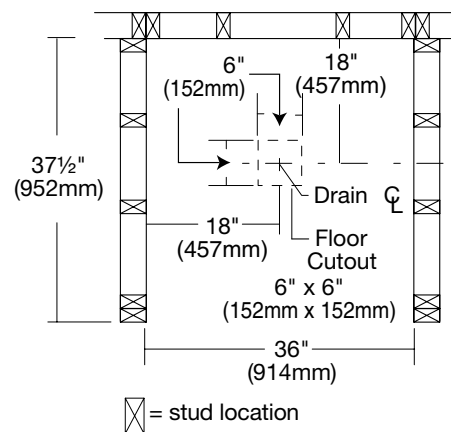
Compliance Certifications -

Meets or Exceeds the Following Specifications:

- ANSI Z124.2 for Plastic Showers
- ASTM E162 for Flammability
- NFPA 258 for Smoke Density



STUD LAYOUT



Free Manuals Download Website

<http://myh66.com>

<http://usermanuals.us>

<http://www.somanuals.com>

<http://www.4manuals.cc>

<http://www.manual-lib.com>

<http://www.404manual.com>

<http://www.luxmanual.com>

<http://aubethermostatmanual.com>

Golf course search by state

<http://golfingnear.com>

Email search by domain

<http://emailbydomain.com>

Auto manuals search

<http://auto.somanuals.com>

TV manuals search

<http://tv.somanuals.com>