

# American Standard

## HAMPTON

TWO HANDLE BATH/SHOWER SET

# Installation Instructions

7220.702	7221.722
7220.712	7221.732
7220.722	7222.702
7220.732	7222.712
7221.702	7222.722
7221.712	7222.732



Thank you for selecting American-Standard...the benchmark of fine quality for over 100 years.

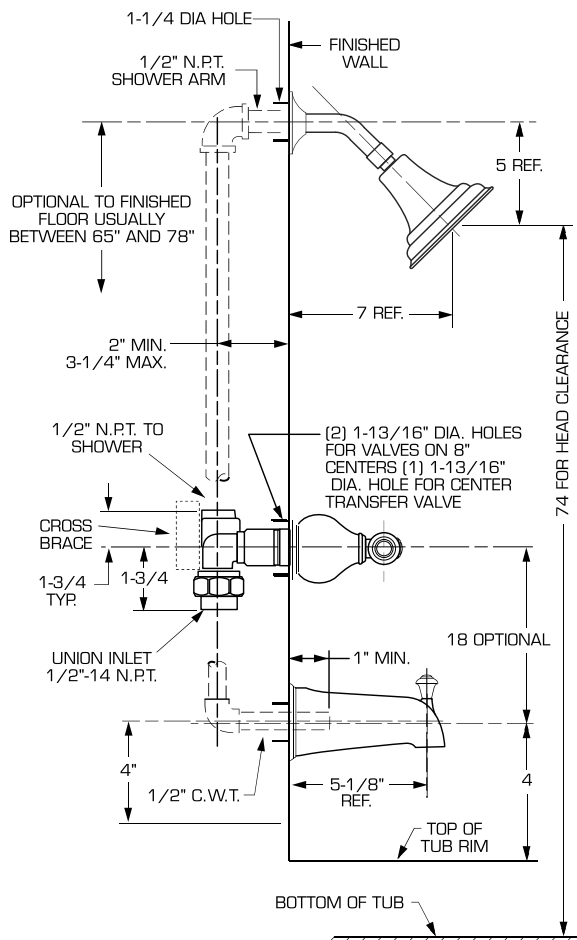
To ensure that your installation proceeds smoothly—please read these instructions carefully before you begin.

Certified to comply with ANSI A112.18.1M  
U.S. Patent No. 5,819,789

US60406 REV. 1.1

### ROUGHING-IN DIMENSIONS

NOTE: NO CONCEALED PIPING FURNISHED



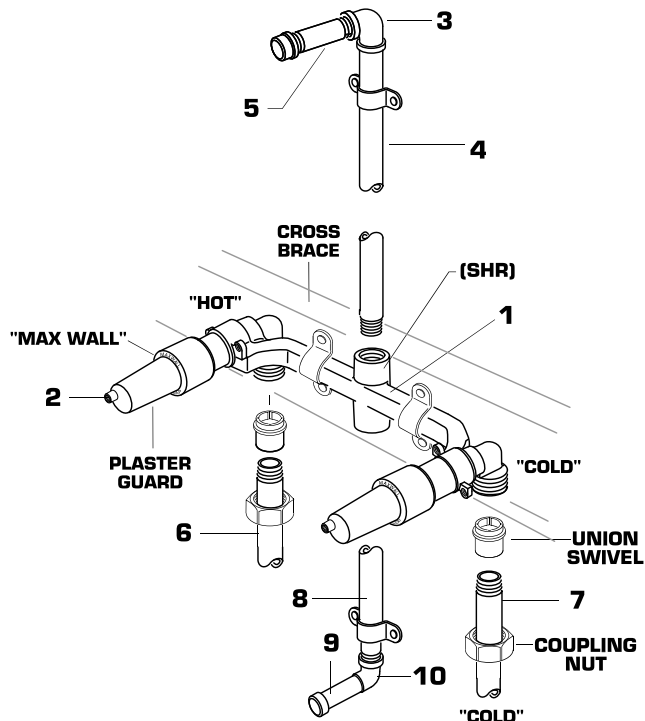
### 1 ROUGHING-IN SHOWER AND SPOUT

#### CAUTION

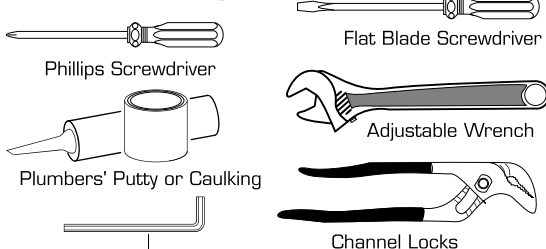
Turn off hot and cold water supplies before beginning.

**IMPORTANT: DO NOT REMOVE PLASTER GUARDS (2) UNTIL STEP 2.**

- Prepare water supplies per Roughing-in Dimensions. Apply sealing tape to all threaded connections.
- Install VALVE (1) at indicated height and depth. Make sure the outlet marked "SHR" is pointing upward. Mount VALVE (1) to cross brace with wood screws.
- Slip COUPLING NUT (6) over supply pipe and thread UNION SWIVEL to pipe. Connect HOT (6) water supply to LEFT valve inlet and COLD (7) water supply to RIGHT valve inlet.
- Prepare SHOWER RISER (4) and ELBOW (3). Connect to TOP outlet, marked "SHR" of VALVE BODY (1).
- Prepare TUB FILLER PIPE (8), ELBOW (10) and roughing-in NIPPLE (9). Connect to BOTTOM outlet of VALVE BODY (1).
- Add cross braces to wall structure and secure piping.
- Cap NIPPLES (9 & 5) and open supply lines and check for leaks. Remove PLASTER GUARDS (2). Use spline on end of PLASTER GUARD (2) to open both VALVES and check for leaks.
- Close both valves and turn off water supplies. Replace PLASTER GUARDS (2).
- Finish wall construction.



### Recommended Tools

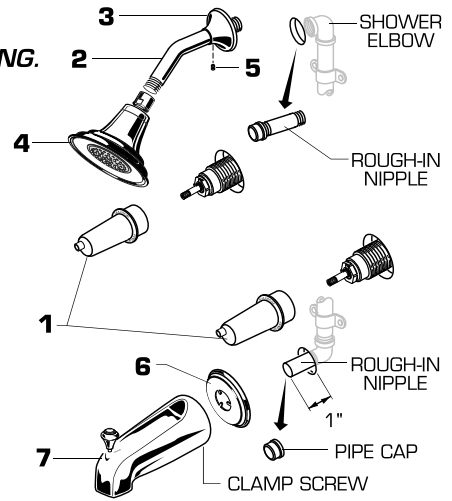


\*Hex key Supplied with Fitting

## 2 INSTALL TRIM (SHOWER AND TUB SPOUT)

**NOTE; PROTECT FINISH ON SHOWER AND TUB TRIM WHEN INSTALLING.**

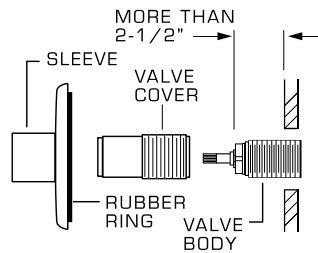
- Remove PLASTER GUARDS (1) from valve body by unthreading and pulling off.
- Remove rough-in nipple from shower elbow.
- Apply sealing tape to threads on both ends of SHOWER ARM (2) and install SHOWER ARM (2) with SHOWER ESCUTCHEON (3) into shower elbow.
- Thread SHOWER HEAD (4) onto end of SHOWER ARM (2). Push SHOWER ESCUTCHEON (3) against finished wall. Tighten SET SCREW (5).
- Remove pipe cap from tub filler pipe. Prepare TUB FILLER PIPE, ELBOW and 1/2" C.W.T. SPOUT NIPPLE. Final length of SPOUT NIPPLE to be 1" from finished wall.
- Push SPOUT ESCUTCHEON (6) onto filler pipe flush against finished wall. Push TUB SPOUT (7) onto filler pipe until tight against SPOUT ESCUTCHEON (6).
- Tighten clamp screw in SPOUT (7) to secure TUB SPOUT (7) to rough-in nipple.



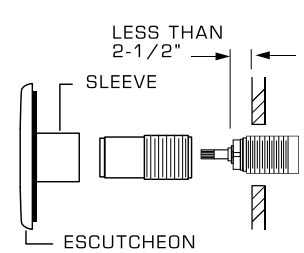
## 3 FINISHING INSTALLATION

- Remove caps from roughing-in nipples.
- Remove PLASTER GUARD by turning counter-clockwise and pulling.
- If VALVE BODY is roughed in SHALLOW (more than 2-1/2") screw SLEEVE in ESCUTCHEON facing front of ESCUTCHEON.
- If VALVE BODY is roughed in DEEP (less than 2-1/2") screw SLEEVE in ESCUTCHEON facing back of ESCUTCHEON.
- Assemble RUBBER RING to ESCUTCHEON.
- Screw ESCUTCHEON and SLEEVE onto VALVE COVER against wall.
- Install SHOWER ARM, SHOWER ARM FLANGE and TUB SPOUT.

### SHALLOW ROUGH-IN



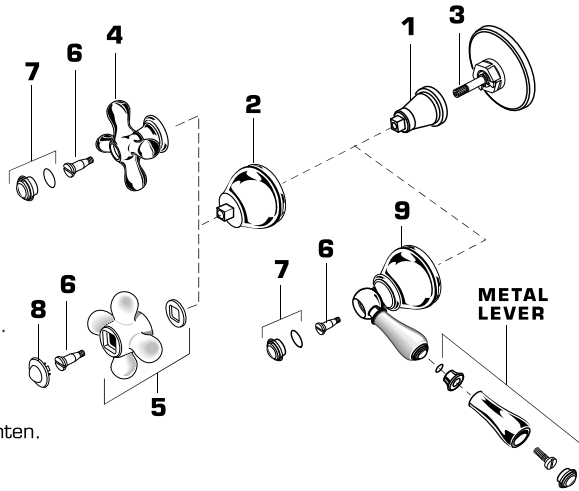
### DEEP ROUGH-IN



## 4 INSTALL HANDLES

### FOR CROSS HANDLES

- Turn VALVE into OFF position.
- Push ADAPTER (1) into HANDLE BASE (2) in a way that the male square on the ADAPTER (1) fits in the female square of the HANDLE BASE (2).
- Push HANDLE BASE (2) and ADAPTER (1) onto VALVE STEM (3).
- Push CROSS HANDLE (4, 5) onto HANDLE BASE (2).
- Install HANDLE SCREW (6) and tighten.
- Push INDEX CAP (7, 8) in top of CROSS HANDLE.



### FOR LEVER HANDLES

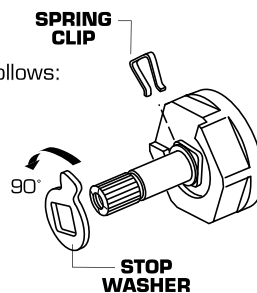
- Turn VALVE into OFF position.
- Push ADAPTER (1) into HANDLE BASE (9) in a way that the male square on the ADAPTER (1) fits in the female square of the HANDLE BASE (9).
- Push HANDLE (9) and ADAPTER (1) onto VALVE STEM (3).
- Check alignment, if not satisfactory aligned;
  - Push out ADAPTER (1) carefully.
  - Turn ADAPTER (1) either 45° or 90° so that male square on ADAPTER (1) catches different female square in HANDLE BASE (9).
  - Assemble and tighten HANDLE SCREW (6).
- Push INDEX CAP (7) in top of HANDLE (9).

## 5 TEST INSTALLED FAUCET

- Turn HANDLES into "off" position.
- Turn on water supplies and check all connections for leaks.
- Operate both HANDLES to flush water lines thoroughly.
- Check SHOWER HEAD and SPOUT connections for leaks. Operate DIVERTER for proper operation. Turn handles into OFF position.

## 6 SERVICE

- To change direction of handle rotation, proceed as follows:
  - Turn valve to OFF position.
  - Pull out INDEX CAP and remove HANDLE SCREW.
  - Pull out LEVER BALL from HANDLE BASE.
  - Unscrew HANDLE BASE and remove ADAPTER.
  - Remove SPRING CLIP.
  - Lift STOP WASHER, turn 90° and replace.
  - Replace SPRING CLIP.
  - Reinstall HANDLE. (See step three).
- If spout drips, operate handles several times from OFF to ON position. Do not force - handles turn only 90°.



### CARE:

**DO: SIMPLY RINSE THE PRODUCT CLEAN WITH CLEAR WATER. DRY WITH A SOFT COTTON FLANNEL CLOTH.**

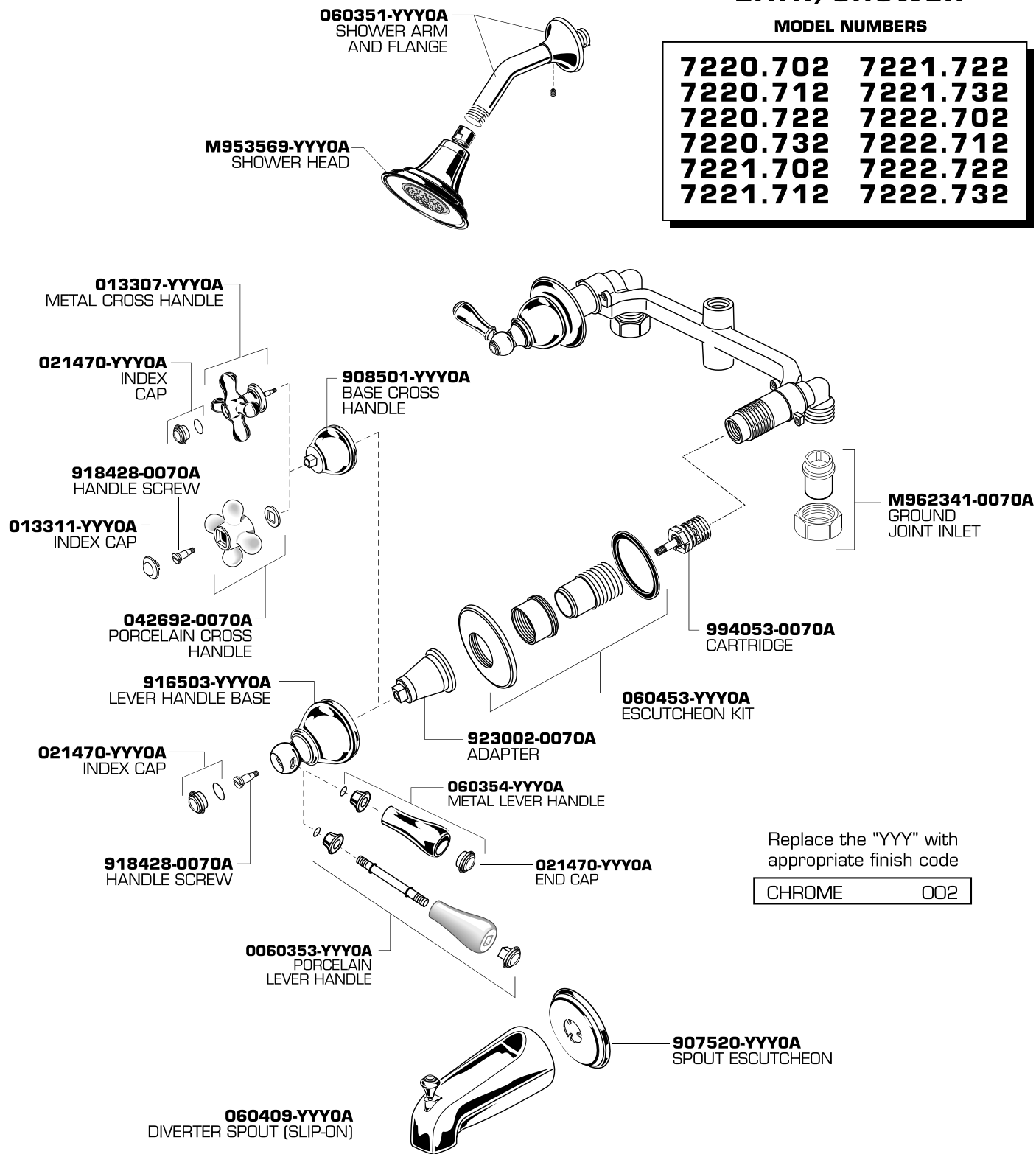
**DO NOT: DO NOT CLEAN THE PRODUCT WITH SOAPS, ACID, POLISH, ABRASIVES, HARSH CLEANERS, OR A CLOTH WITH A COARSE SURFACE.**

US60406REV. 1.1

## TWO HANDLE BATH/SHOWER

### MODEL NUMBERS

7220.702	7221.722
7220.712	7221.732
7220.722	7222.702
7220.732	7222.712
7221.702	7222.722
7221.712	7222.732



Replace the "YYY" with appropriate finish code

CHROME	002
--------	-----



**HOT LINE FOR HELP**  
For toll-free information and answers to your questions, call:  
1-800-442-1902  
Weekdays 8:00 a.m. to 6:00 p.m. EST

IN CANADA 1-800-387-0369 (TORONTO 1-905-306-1093)  
Weekdays 8:00 a.m. to 7:00 p.m. EST

IN MEXICO 01-800-839-1200

Product names listed herein are trademarks of American Standard Inc.  
© American Standard Inc. 1999

## Free Manuals Download Website

<http://myh66.com>

<http://usermanuals.us>

<http://www.somanuals.com>

<http://www.4manuals.cc>

<http://www.manual-lib.com>

<http://www.404manual.com>

<http://www.luxmanual.com>

<http://aubethermostatmanual.com>

Golf course search by state

<http://golfingnear.com>

Email search by domain

<http://emailbydomain.com>

Auto manuals search

<http://auto.somanuals.com>

TV manuals search

<http://tv.somanuals.com>