

**MODEL NUMBER:**

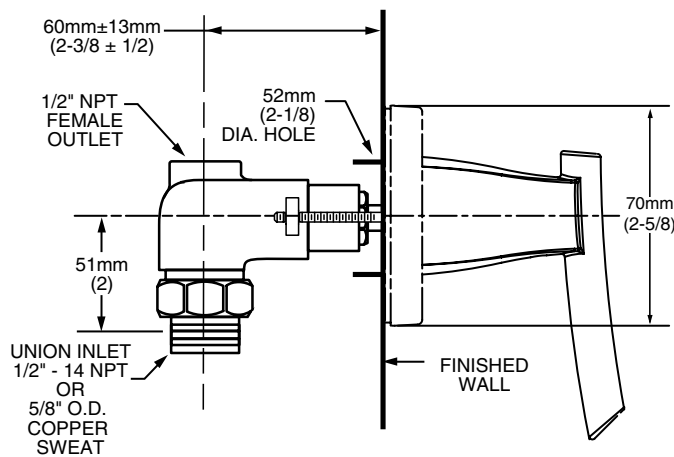
**TRIM KITS:**

- T373.700 On/Off & Volume Control Valve Trim**  
Valve Trim ONLY. With Lever handle. LESS Valve.

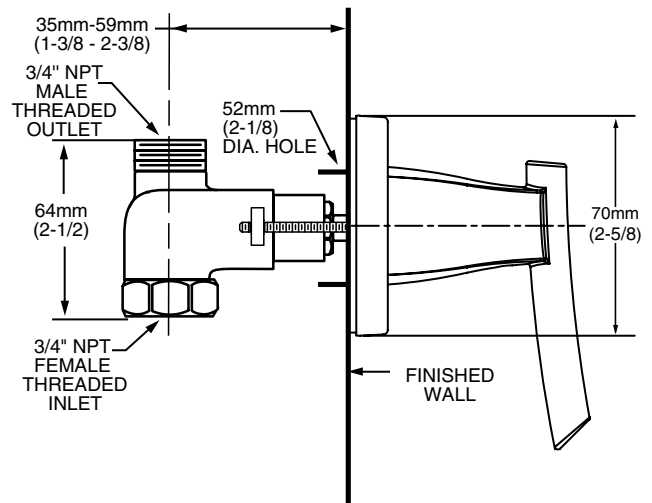
**ROUGH VALVE BODIES:**

- R701 On/Off & Volume Control Valve Rough**  
1/2" inlet/outlet. Less handle.
- R711 On/Off & Volume Control Valve Rough**  
3/4" inlet/outlet. Less handle.

**Model R701**  
1/2" NPT



**Model R711**  
3/4" NPT



**GENERAL DESCRIPTION:**

Cast brass valve body. Amarilis washerless ceramic disc valve cartridge. Choice of 1/2" or 3/4" NPT inlets and outlets. Trim is construction.

**PRODUCT FEATURES:**

**Brass Construction:** Durable - Excellent in high use applications. Ideal for prolonged contact with water.

**Ceramic Disc Valve Cartridge:** Assures a lifetime of drip-free performance.

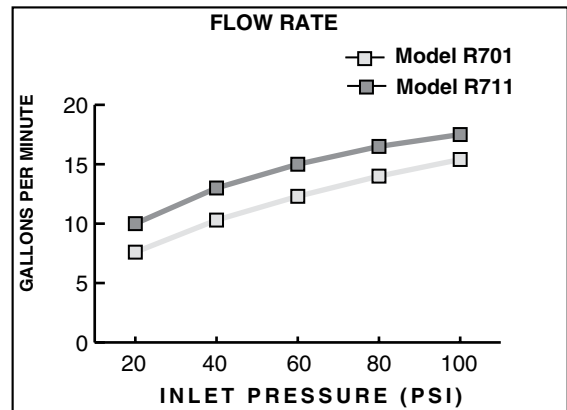
**SUGGESTED SPECIFICATION:**


In-wall single valve shall feature a cast brass valve body. Model R701 shall feature combination 1/2" NPT threaded and direct sweat inlets. 1/2" NPT female outlet. Model R711 shall feature 3/4" female inlet. 3/4" male outlet. Shall also feature 1/4 turn washerless ceramic disc valve cartridges. Trim shall be constructed of brass. Fitting shall be American Standard Model # T010.700.\_\_\_\_ (Trim) and R7\_1 (Rough Valve Body).

**CODES AND STANDARDS**

These products meet or exceed the following codes and standards:


**ASME A112.18.1**  
**CSA B 125**



TRIM KITS**	Product Number	Description	Finish Options	
			Polished Chrome	PVD Stainless Steel
			002	075
T010.700	On/Off & Volume Control Valve Trim.			

ROUGH VALVE BODIES	Product Number	Description		
			R701	In-wall single valve. 1/2" inlet/outlet. Less handle.
			R711	In-wall single valve. 3/4" inlet/outlet. Less handle.

**\*\* ROUGHS AND TRIMS MUST BE ORDERED SEPARATELY.**

 Meets the American Disabilities Act Guidelines and **ANSI A117.1** Requirements for the physically challenged.

## Free Manuals Download Website

<http://myh66.com>

<http://usermanuals.us>

<http://www.somanuals.com>

<http://www.4manuals.cc>

<http://www.manual-lib.com>

<http://www.404manual.com>

<http://www.luxmanual.com>

<http://aubethermostatmanual.com>

Golf course search by state

<http://golfingnear.com>

Email search by domain

<http://emailbydomain.com>

Auto manuals search

<http://auto.somanuals.com>

TV manuals search

<http://tv.somanuals.com>