

SAVONA™ PEDESTAL SINK

- Contemporary-styled basin with raised faucet deck and backsplash
- Made from vitreous china
- Convenient soap/accessory ledge
- Rear overflow
- **Design-matched to Savona toilets**
- Supplied with mounting kit
- Shown with 3801.432 Jasmine Spread Lavatory Faucet with Perfume Bottle Handles (not included)

☐ **0156.803** Faucet holes on 8" (203mm) centers

Nominal Dimensions:

635 x 502 x 864mm
(25" x 19-3/4" x 34")

Separate Components:

☐ **0156.008** Pedestal top-8" (203mm) centers

☐ **733900-400** Pedestal only

Bowl sizes:

464mm (18-1/4") wide
324mm (12-3/4") front to back
152mm (6") deep

Compliance Certifications -

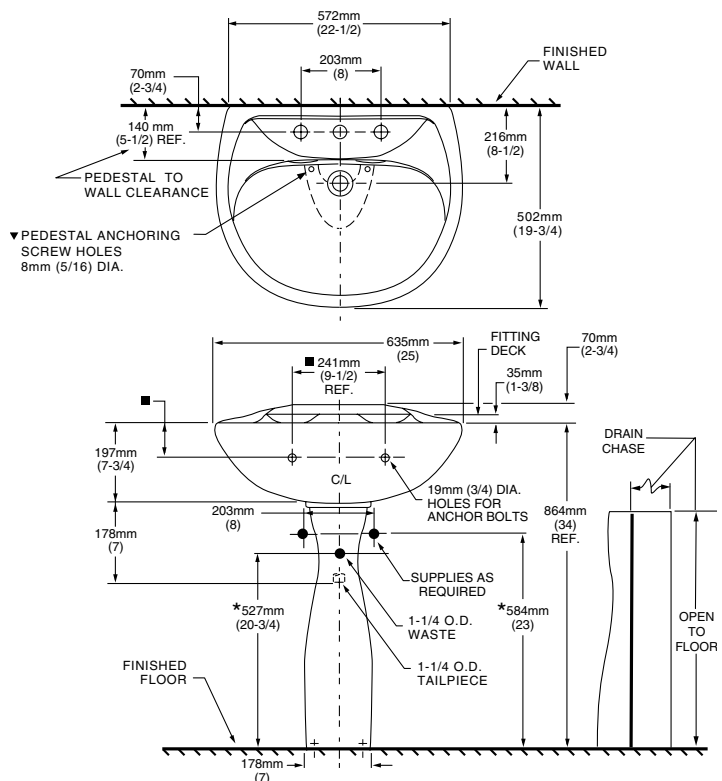
Meets or Exceeds the Following Specifications:

- ASME A112.19.2M for Vitreous China Fixtures

To Be Specified:

- ☐ Color: ☐ White ☐ Bone ☐ Linen
☐ Silver ☐ Fawn Beige ☐ Black
- ☐ Faucet*:
☐ Faucet Finish:
☐ Supplies:
☐ 1-1/4" Trap:

* See faucet section for additional models available



NOTES:

* DIMENSIONS SHOWN FOR LOCATION OF SUPPLIES AND "P" TRAP ARE SUGGESTED.

▼ PEDESTAL ANCHORING SCREWS NOT INCLUDED.

■ SUITABLE FOR REINFORCEMENT ONLY. ACTUAL DIMENSIONS MUST BE TAKEN FROM FIXTURE.

FITTINGS NOT INCLUDED AND MUST BE ORDERED SEPARATELY. PROVIDE SUITABLE REINFORCEMENT FOR ALL WALL SUPPORTS. INSTALLATION INSTRUCTIONS SUPPLIED WITH LAVATORY.

IMPORTANT: Dimensions of fixtures are nominal and may vary within the range of tolerances established by ANSI Standard A112.19.2. These measurements are subject to change or cancellation. No responsibility is assumed for use of superseded or voided pages

Free Manuals Download Website

<http://myh66.com>

<http://usermanuals.us>

<http://www.somanuals.com>

<http://www.4manuals.cc>

<http://www.manual-lib.com>

<http://www.404manual.com>

<http://www.luxmanual.com>

<http://aubethermostatmanual.com>

Golf course search by state

<http://golfingnear.com>

Email search by domain

<http://emailbydomain.com>

Auto manuals search

<http://auto.somanuals.com>

TV manuals search

<http://tv.somanuals.com>