



User Manual

English

APC Smart-UPS®

5000 VA
208/230 Vac

Tower/Rack-Mount 5U
Uninterruptible Power Supply

Contents

Introduction	1
About this UPS	1
Unpack	1
Specifications	2
Installation	2
Rack-mount configuration	2
Rack-mount to tower conversion procedure	4
Input hardwire 230 V models only	5
Accessories	5
Connect batteries	6
Configure bezel	6
Connect display cable and install bezel	7
Start-up	8
Connect Equipment and Power to the UPS	8
Communication Ports	9
Emergency Power Off	9
Operation	10
Display Panels	10
Display Panel Indicators and Function Buttons	10
Configuration	12
UPS settings	12
Troubleshooting	14
Maintenance, Transport, and Service	17
Replace battery modules	17
Service	18
Two-Year Warranty	19
Regulatory Information	20

Introduction

About this UPS

The American Power Conversion (APC®) Uninterruptible Power Supply (UPS) provides protection for electronic equipment from utility power blackouts, brownouts, sags and surges. The UPS filters small utility line fluctuations and isolates electronic equipment from large disturbances by internally disconnecting from utility line power. The UPS provides continuous power from the internal battery until utility power returns to safe levels or the battery is fully discharged.

Unpack

Read the Safety Guide before installing the UPS.

Inspect the UPS upon receipt. Notify the carrier and dealer if there is damage.

The packaging is recyclable; save it for reuse or dispose of it properly.

The UPS and the battery modules are heavy. Remove the battery modules to lighten the UPS during installation. Refer to battery removal instructions on the packaging.


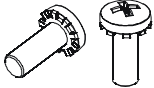
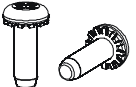


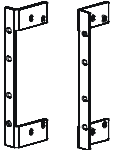

Check the package contents:

- UPS
- Front bezel
- Display bezel
- Top covers (2) and one screw (tower configuration)
- EPO connector
- Serial cable
- Eight ornamental screws for securing the unit in the rack
- Four cage nuts
- Two rack-mount brackets (used as stabilizers in tower configuration)
- Eight pan-head locking screws
- Two rail cleats
- Eight pan-head screws
- Literature kit containing:
 - Product documentation
 - Smart-UPS® User Manuals CD
 - PowerChute® *Business Edition* CD
 - Safety information
 - Warranty information


Additional contents for 230 V models:

- IEC power connector
- IEC jumper cables

Hardware

8		pan head screws for securing rail cleats to UPS
8		pan head locking screws for securing rack-mount brackets/stabilizer brackets to the UPS
1		pan head locking screw (black) for securing top covers to UPS
8		ornamental screws for securing UPS to rack
4		cage nuts for rack installation
2		rack-mount brackets for rack-mount configuration stabilizer brackets for tower configuration
2		rail cleats

Specifications

Temperature Operating Storage	32° to 104° F (0° to 40° C) 5° to 86° F (-15° to 30° C) charge the UPS battery every six months 86° to 113° F (30° to 45° C) charge the UPS battery every three months	This unit is intended for indoor use only. Select a location sturdy enough to handle the weight. Do not operate the UPS where there is excessive dust or the temperature or humidity are outside the specified limits. Environmental factors impact battery life. High temperatures, poor utility power, and frequent, short duration discharges will shorten battery life.
Maximum Elevation Operating Storage	6562 ft (2,000 m) 50,000 ft (15,240 m)	
Humidity	0 to 95% relative humidity, non-condensing	
Weight	215 lbs (98 kg) with battery module 107 lbs (49 kg) without battery module 27 lbs (12 kg) each battery module	215 lbs (98 kg) 

NOTE: The model and serial numbers are located on a small, rear panel label. For some models, an additional label is located on the chassis under the front bezel.

Installation

Rack-mount configuration

This unit is intended for mounting in a four post rack. To order a two post rack-mount kit contact your dealer or refer to the APC Web site, www.apc.com.

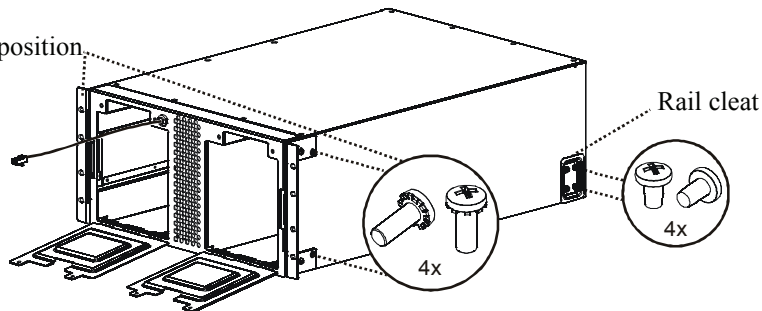
The UPS and the battery modules are heavy. Remove the battery modules to lighten the UPS during installation. Refer to the battery removal instructions on the packaging.

Install rack-mount brackets and rail cleats

Four screws must be used to secure each rail bracket and rail cleat to the UPS. One rack-mount bracket and one rail cleat must be secured to the both sides of the UPS.

Rack-mount bracket

four post rack-mount position



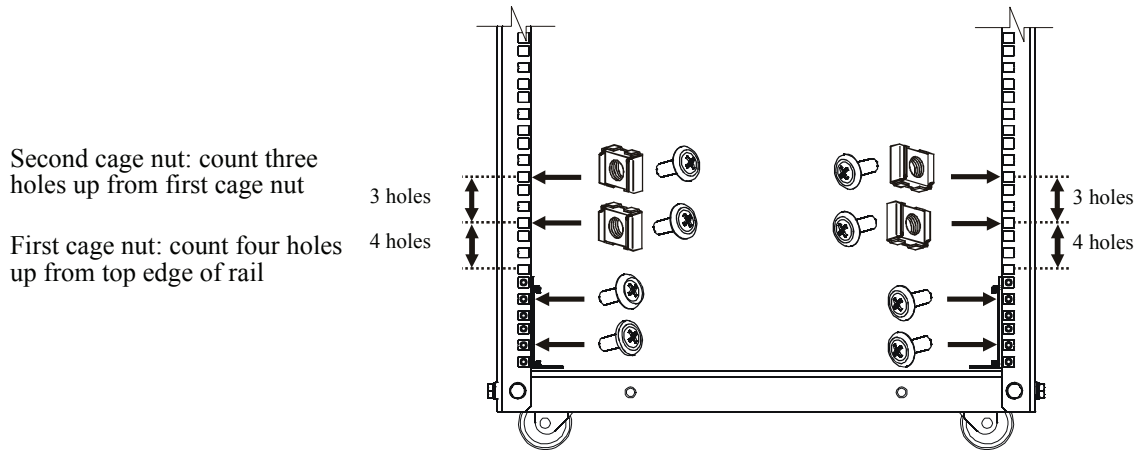
Install unit in rack

Ensure rack stability prior to installing devices in the rack.

The UPS should be installed at or near the bottom of the rack.

When installing rails in the rack, install two cage nuts above each rail, (see diagram).

Secure the UPS in the rack using the four cage nuts and eight ornamental screws included in the package.

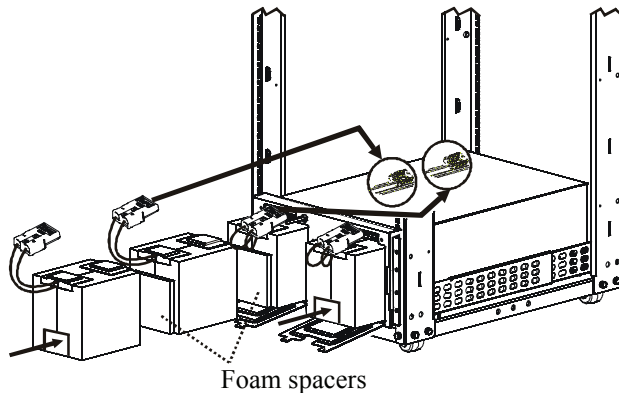


Install batteries

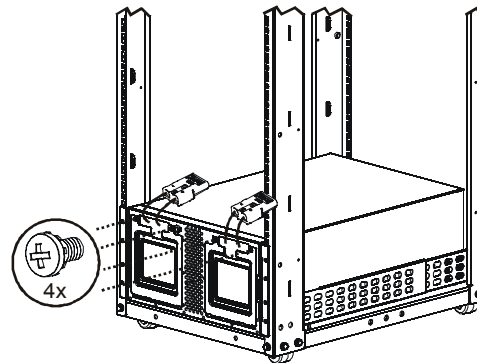


Connect only the first two batteries in the string of three batteries. Be sure that the battery connectors are fully engaged.

Do not connect the single battery or the last battery installed in the string of three batteries.



Close and secure battery doors



Rack-mount to tower conversion procedure

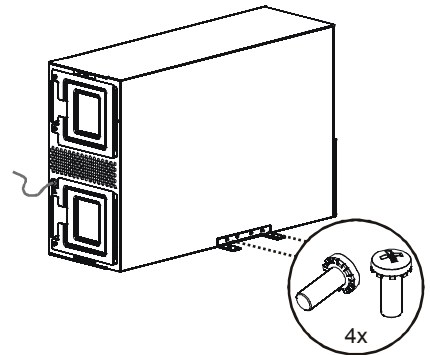
The UPS and the battery modules are heavy. Remove the battery modules to lighten the UPS during installation. Refer to the battery removal instructions on the packaging.

Install stabilizer brackets

Stand the UPS on the side with the embossed marks.

Secure a stabilizer bracket (supplied), to both sides of the UPS.

Secure each bracket with two pan head locking screws (supplied).

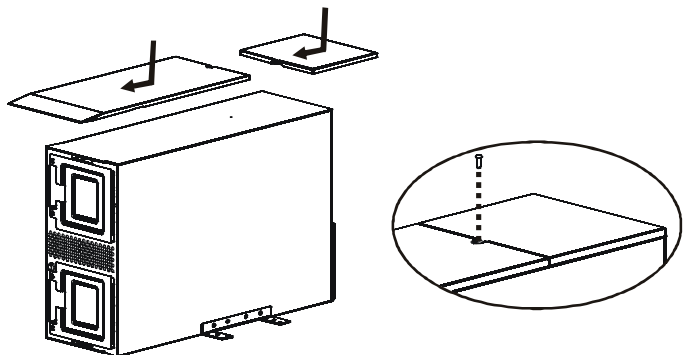


Install two top covers

Install the large top cover by placing it in the slots on the UPS and sliding the cover forward.

Install the small top cover by placing it in the slots on the UPS and sliding the cover forward.

Secure the top covers with a #8 black screw (supplied).

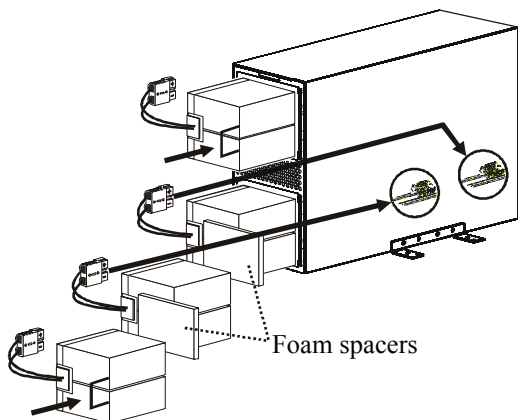


Install batteries

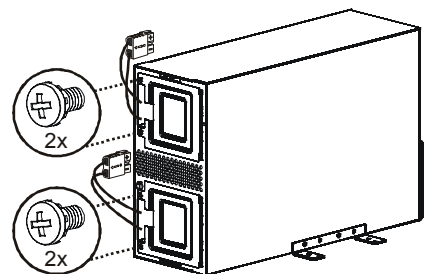


Connect only the first two batteries in the string of three batteries. Be sure that the battery connectors are fully engaged.

Do not connect the single battery or the last battery installed in the string of three batteries.



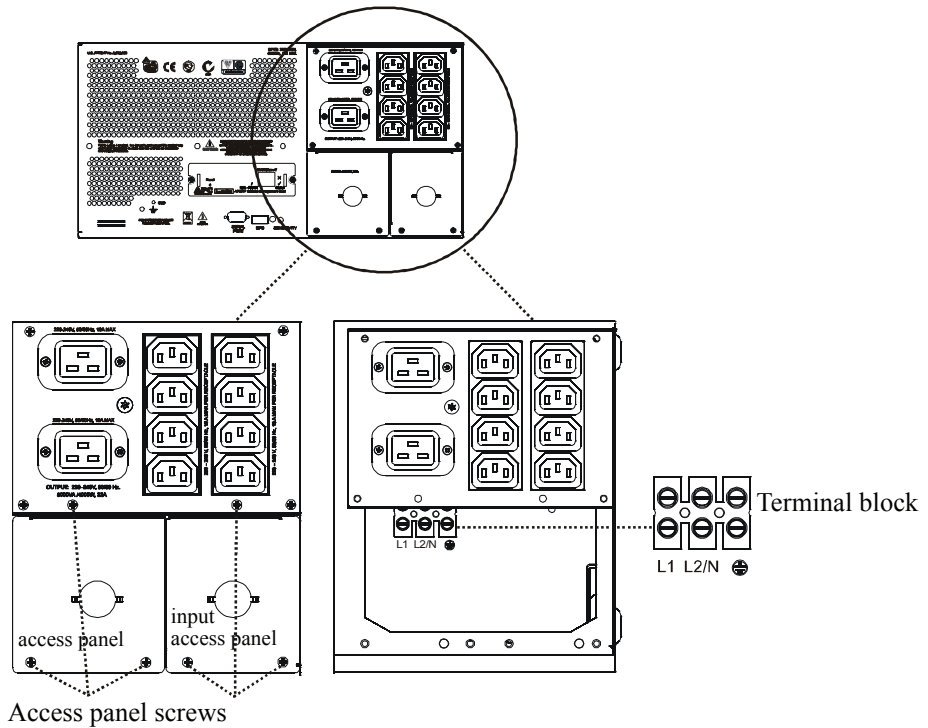
Close and secure the battery doors



Input hardware 230 V models only

Hardwiring must be performed by a qualified electrician. Adhere to all national and local regulations.

1. Use a dedicated branch circuit with a maximum of 32 A of over-current protection, (either a circuit breaker or fuses).
A lower rated branch may be used depending on the requirements of the UPS load.
Allow an additional 600 W for the UPS during the battery replacement procedure.
2. Switch the circuit breaker OFF prior to connecting equipment and power to the UPS.
3. Remove the access panels located on the rear panel of the UPS.
4. Remove the knockout from the input access panel.
5. Use # 10 AWG (5 mm²).
Strip approximately six inches (152.4 mm) of the outer jacket from the input cable exposing the wires.
Strip .5 inch (12.7 mm) of the individual wire coverings.
6. Route the input cable through the hole in the input access panel. Apply an appropriate strain relief.
7. **Connect the ground wire prior to connecting the line wires.**
8. Replace the access panels and secure each panel with three screws.



Accessories

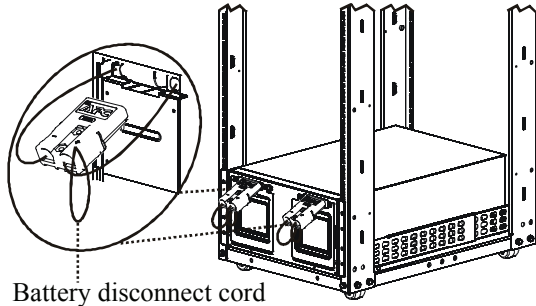
Install accessories prior to connecting power to the UPS.

Refer to the APC Web site, www.apc.com for available accessories.

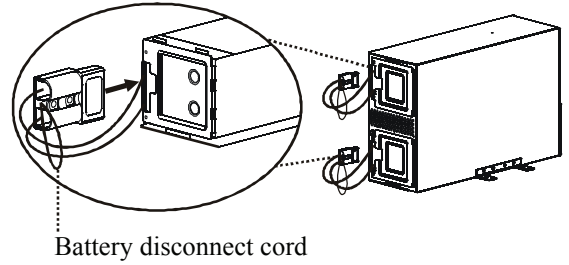
- Input/output hardware kit
- Two post rack option

Connect batteries

Rack-mount configuration



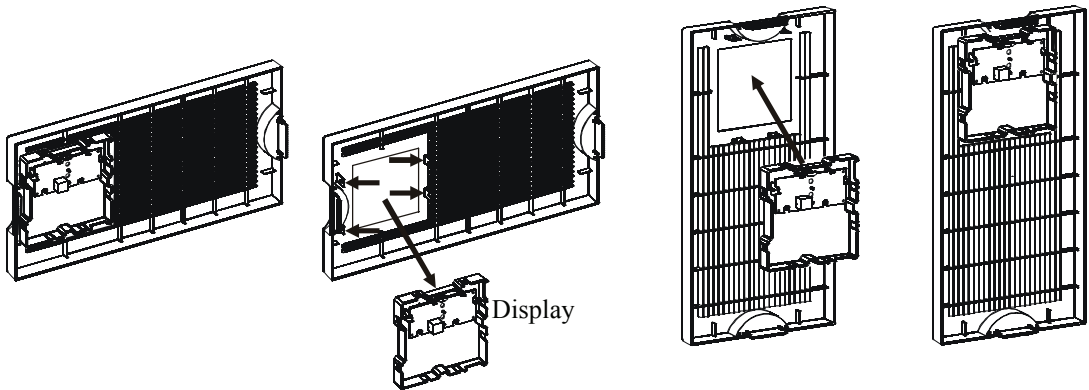
Tower configuration



After all of the batteries have been connected, tuck the battery cables and the battery disconnect cord in the space provided in the battery doors. This will ensure a secure fit of the bezel to the unit.

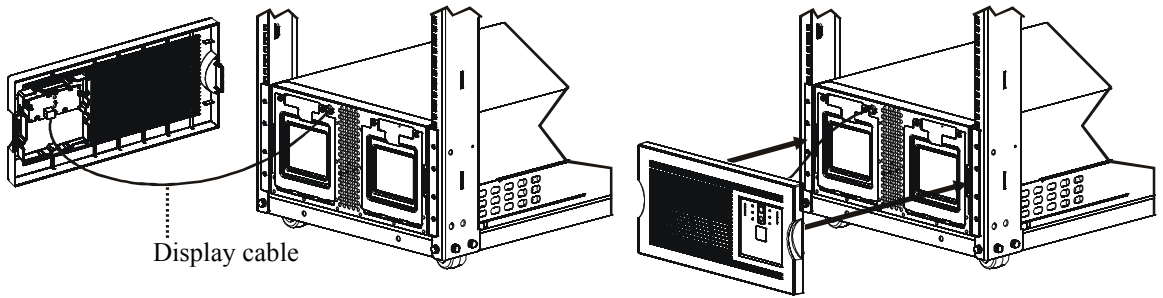
Configure bezel

Snap the display out of the bezel. Rotate the bezel and reinstall the display for a tower configuration.

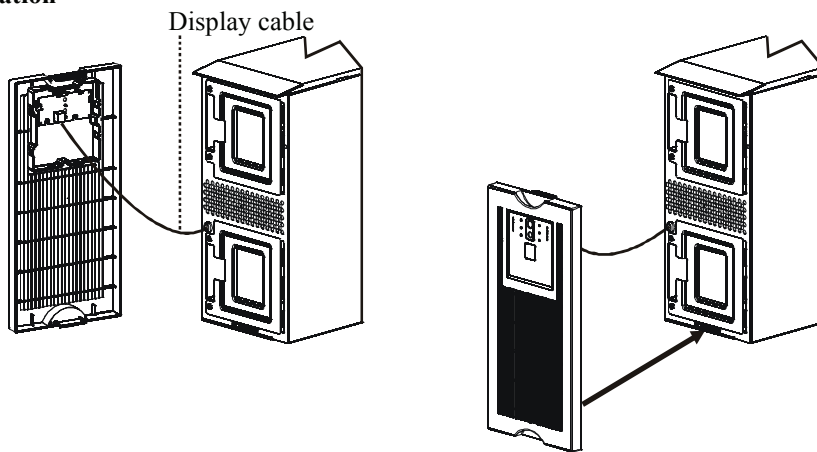


Connect display cable and install bezel

Rack-mount configuration



Tower configuration



Start-up

Connect Equipment and Power to the UPS

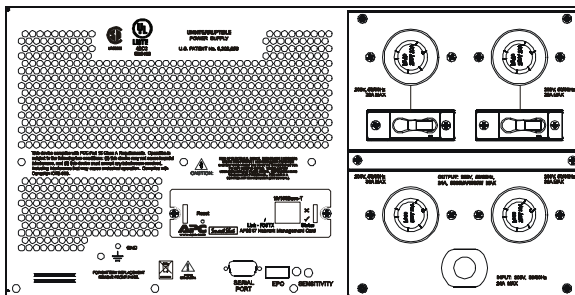
1. The UPS features a chassis ground connection screw located on the rear panel, for connecting the ground leads on transient voltage devices.

Prior to connecting the grounding wire, ensure that the UPS is NOT connected to utility or battery power.

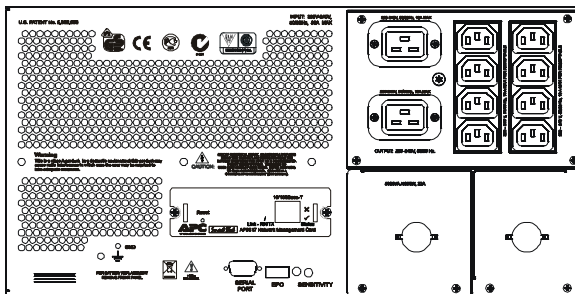
2. Connect equipment to the UPS.
3. **208 V models:** Plug the UPS into a two-pole, three-wire, grounded receptacle only. Avoid using extension cords.
230 V models: Refer to the *Input Hardwire* section in this manual.
4. To use the UPS as a master on/off switch be sure all connected equipment is switched on.

Rear Panels


208 V models



230 V models

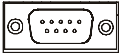


Start the UPS

1. Press the  button on the front panel to start the UPS.
 - The battery charges to 90% capacity during the first four hours of normal operation. *Do not* expect full battery run capability during this initial charge period.
 - Refer to the APC Web site, www.apc.com for battery runtimes.
2. For optimal computer system security, install PowerChute Smart-UPS monitoring software.

Communication Ports

SERIAL PORT



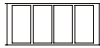
Use only the supplied cable to connect to the serial port. A standard serial interface cable is incompatible with the UPS.

Emergency Power Off

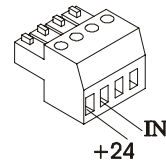
The emergency power off (EPO) feature is user configurable. EPO provides immediate de-energizing of connected equipment from a remote location, without switching to battery operation.

1. Use the EPO connector supplied with the UPS.
2. Use a normally-open contact to connect the +24 terminal to the IN terminal. External voltage is not required.
3. Wire the four-pin connector to the EPO system.

EPO PORT
(located on rear panel)



EPO Connector



The EPO interface is a Safety Extra Low Voltage (SELV) circuit. Connect it only to other SELV circuits. The EPO interface monitors circuits that have no determined voltage potential. Such closure circuits may be provided by a switch or relay properly isolated from the utility. To avoid damage to the UPS, do not connect the EPO interface to any circuit other than a closure type circuit.

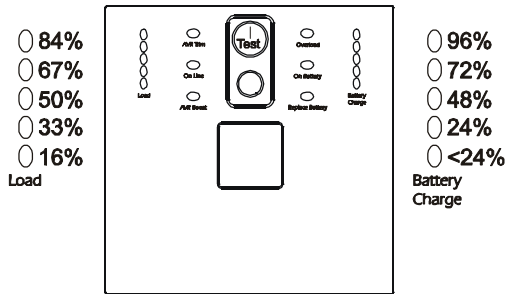
Use one of the following cable types to connect the UPS to the EPO switch.

- CL2: Class 2 cable for general use.
- CL2P: Plenum cable for use in ducts, plenums, and other spaces used for environmental air.
- CL2R: Riser cable for use in a vertical run in a floor-to-floor shaft.
- CLEX: Limited use cable for use in dwellings and for use in raceways.
- For installation in Canada: Use only CSA certified, type ELC, (extra-low voltage control cable).
- For installation in other countries: Use standard low-voltage cable in accordance with national and local regulations.

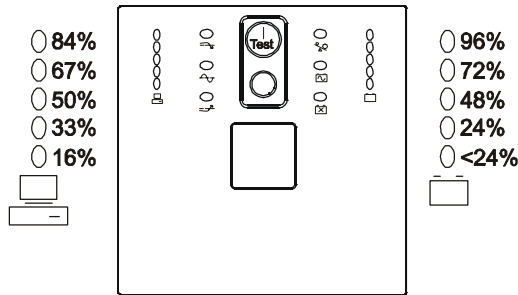
Operation

Display Panels

208 V models








230 V models



Display Panel Indicators and Function Buttons

Indicator LED	Indicator Title	Description
	On Line	The UPS is supplying utility power to the connected equipment, (see <i>Troubleshooting</i>).
	AVR Trim	The UPS is compensating for a high utility voltage. Refer to the APC Web site, www.apc.com for AVR settings.
	AVR Boost	The UPS is compensating for a low utility voltage. Refer to the APC Web site, www.apc.com for AVR settings.
	On Battery	The UPS is supplying battery power to the connected equipment.
	Overload	The connected equipment is drawing more than the UPS power rating allows, (see <i>Troubleshooting</i>).
	Replace Battery/Battery Disconnected	The battery is disconnected or must be replaced, (see <i>Troubleshooting</i>).





Indicator LED	Indicator Title	Description
<p>230 V 208 V</p> <p>○266 ○133</p> <p>○248 ○123</p> <p>○229 ○115</p> <p>○210 ○105</p> <p>○191 ○96</p> <p> Battery Charge</p>	Diagnostic Utility Voltage	<p>The UPS has a diagnostic feature that indicates the utility voltage.</p> <p>The UPS starts a self-test as part of this procedure. The self-test does not affect the voltage display.</p> <p>Press and hold the  button to view the utility voltage bar graph indicator. As soon as the on-line LED starts flashing indicating a self-test is in progress, the five-LED Battery Charge indicator will show the utility input voltage.</p> <p>Refer to the figure on the left for the voltage reading. Values are not listed on the UPS.</p> <p>The indicator on the UPS shows the voltage is between the displayed value on the list and the next higher value, (see <i>Troubleshooting</i>).</p>






Feature Button	Feature Title	Function
	Power On	Press this button to turn on the UPS. Continue reading for additional capabilities.
	Self-Test	<p>Automatic: The UPS performs a self-test automatically when tuned on, and every two weeks thereafter (by default). During the self-test, the UPS briefly operates the connected equipment on battery.</p> <p>Manual: Press and hold the  button for a few seconds to initiate the self-test.</p>
	Cold Start	When there is no utility power and the UPS is off, the cold start feature will switch the UPS and connected equipment onto battery power, (see <i>Troubleshooting</i>).
	Power Off	Press this button to turn off the UPS.

Configuration

UPS settings




Settings are adjusted through PowerChute software or optional SmartSlot accessory cards.

Function	Factory Default	User Selectable Choices	Description
Automatic Self-Test	On startup and every 14 days (336 hours) there after	<ul style="list-style-type: none"> • On startup and every 7 days (168 hours) there after • On startup and every 14 days (336 hours) there after • On startup only • No self-test 	Set the interval at which the UPS will execute a self-test.
UPS ID	UPS_IDEN	Up to eight characters (alphanumeric)	Uniquely identify the UPS, (i.e. server name or location) for network management purposes.
Date of Last Battery Replacement	Manufacture Date	mm/dd/yy	Reset this date when you replace the battery module.
Minimum Capacity Before Return from Shutdown	0 percent	<ul style="list-style-type: none"> <li style="width: 50%;">• 0% <li style="width: 50%;">• 60% <li style="width: 50%;">• 15% <li style="width: 50%;">• 75% <li style="width: 50%;">• 30% <li style="width: 50%;">• 90% <li style="width: 50%;">• 45% 	Specify the percentage to which batteries will be charged following a low battery shutdown before powering connected equipment.
Voltage Sensitivity The UPS detects and reacts to line voltage distortions by transferring to battery operation to protect the connected equipment.	High sensitivity 	<ul style="list-style-type: none">  Brightly illuminated: high sensitivity  Dimly illuminated: medium sensitivity  No illumination: low sensitivity 	Adjust by pressing the <i>VOLTAGE SENSITIVITY</i> switch (rear panel). Use a pointed object, (such as a pen) to do so. Note: In situations of poor power quality, the UPS may frequently transfer to battery operation. If the connected equipment can operate normally under such conditions, reduce the sensitivity setting to conserve battery capacity and service life.
Alarm Delay Control	Enable	<ul style="list-style-type: none"> • Enable • Mute • Disable 	Mute ongoing alarms or disable all alarms.
Shutdown Delay	90 seconds	<ul style="list-style-type: none"> <li style="width: 50%;">• 0 s <li style="width: 50%;">• 360 s <li style="width: 50%;">• 90 s <li style="width: 50%;">• 450 s <li style="width: 50%;">• 180 s <li style="width: 50%;">• 540 s <li style="width: 50%;">• 270 s <li style="width: 50%;">• 630 s 	Set the interval between the time when the UPS receives a shutdown command and actual shutdown.


Function	Factory Default	User Selectable Choices	Description
<p>Low Battery Warning</p> <p>PowerChute software interface provides automatic, unattended shutdown when approximately two minutes of battery operated run time remains.</p>	<p> 2 minutes</p> <p>LED is located on rear panel</p>	<p> <i>Brightly illuminated:</i> low battery warning level of about 2 minutes</p> <p> <i>Dimly illuminated:</i> low battery warning level of about 5 minutes</p> <p> <i>No illumination:</i> low battery warning level is about 8 minutes</p>	<p>The low-battery warning beeps are continuous when two minutes of run time remain.</p> <p>To change the default interval setting, use a pointed object such as a pen to press the <i>VOLTAGE SENSITIVITY</i> switch (rear panel), while</p> <p>pressing the  button, (front display).</p> <p>Change the low battery warning interval setting to the time that the operating system or system software requires to safely shut down.</p>
Synchronized Turn-on Delay	0 seconds	<ul style="list-style-type: none"> • 0 s • 60 s • 120 s • 180 s • 240 s • 300 s • 360 s • 420 s 	Specify the time the UPS will wait after the return of utility power before start up, (to avoid branch circuit overload).
High Transfer Point	<p><i>208 V models:</i> 225 Vac</p> <p><i>230 V models:</i> 253 Vac</p>	<ul style="list-style-type: none"> • 225 Vac • 229 Vac • 253 Vac • 257 Vac • 233 Vac 237 Vac • 261 Vac • 265 Vac 	To avoid unnecessary use of the battery where utility voltage is chronically high, set the high transfer point higher if the connected equipment can tolerate this condition.
Low Transfer Point	<p><i>208 V models:</i> 182 Vac</p> <p><i>230 V models:</i> 208 Vac</p>	<ul style="list-style-type: none"> • • 182 Vac • 178 Vac • 196 Vac • 200 Vac • 174 Vac • 170 Vac • 204 Vac • 208 Vac 	To avoid unnecessary use of the battery where utility voltage is chronically low, set the low transfer point lower if the connected equipment can tolerate this condition.
Output Voltage 230 V models	230 Vac	<ul style="list-style-type: none"> • 220 Vac • 230 Vac • 240 Vac 	Set the output voltage of the UPS.

Troubleshooting

Use this chart to solve minor UPS installation and operation problems. Refer to www.apc.com for assistance with complex UPS problems.

Problem and/or Possible Cause	Solution
UPS will not turn on	
The battery is not connected properly.	Check that the battery connector is fully engaged.
 button not pushed.	Press the  button once to power-up the UPS and connected equipment.
The UPS is not connected to utility power supply.	Check that the power cable from the UPS to the utility power supply is securely connected at both ends.
Very low or no utility voltage	Check the utility power supply to the UPS by plugging in a table lamp. If the light is very dim, have the utility voltage checked.
UPS will not turn off	
The UPS is experiencing an internal fault	Do not attempt to use the UPS. Unplug the UPS and have it serviced immediately.
UPS beeps occasionally	
Normal UPS operation when running on battery.	None: The UPS is protecting the connected equipment. Press the  button to silence this alarm.
UPS is not providing expected backup time	
The UPS battery(s) are weak due to a recent power outage or battery(s) are near the end of their service life.	Charge the battery(s). Batteries require recharging after extended outages. Batteries can wear faster when put into service often or when operated at elevated temperatures. If the battery(s) are near the end of their service life, consider replacing the battery(s) even if the <i>replace battery</i> LED is not yet illuminated.
All LEDs are illuminated and the UPS emits a constant beeping	
The UPS is experiencing an internal fault.	Do not attempt to use the UPS. Unplug the UPS and have it serviced immediately.
Front panel LEDs flash sequentially	
The UPS has been shut down remotely through software or an optional accessory card.	None: The UPS will restart automatically when utility power returns.
All LEDs are off and the UPS is plugged into a wall outlet	
The UPS is shut down or the battery is discharged from an extended outage.	None: The UPS will restart automatically when utility power is restored and the battery has a sufficient charge.

Problem and/or Possible Cause	Solution
The Overload LED is illuminated and the UPS emits a sustained alarm tone	
The UPS is overloaded.	<p>The connected equipment exceeds the specified “maximum load” as defined in Specifications on the APC Web site, www.apc.com.</p> <p>The alarm remains on until the overload is removed. Disconnect nonessential equipment from the UPS to eliminate the overload condition.</p> <p>The UPS continues to supply power as long as it is online and the circuit breaker does not trip; the UPS will not provide power from batteries in the event of a utility voltage interruption.</p>
The Replace Battery/Battery Disconnected LED is illuminated	
The <i>Replace Battery/Battery Disconnected</i> LED flashes and a short beep is emitted every two seconds to indicate the battery is disconnected.	Check that the battery connectors are fully engaged.
Weak battery	Allow the battery to recharge for 24 hours and perform a self-test. If the problem persists after recharging, replace the battery.
Failure of a battery self-test: <i>Replace Battery/Battery Disconnected</i> LED illuminates and the UPS emits short beeps for one minute. The UPS repeats the alarm every five hours.	<p>Allow the battery to recharge for 24 hours. Perform the self-test procedure to confirm the replace battery condition. The alarm stops and the LED clears if the battery passes the self-test.</p> <p>If the battery fails again, it must be replaced. The connected equipment is unaffected.</p>
The input circuit breaker trips	
The connected equipment exceeds the specified “maximum load” as defined in <i>Specifications</i> on the APC Web site, www.apc.com .	<p>Unplug all nonessential equipment from the UPS.</p> <p>Reset the circuit breaker.</p>
The AVR Boost or AVR Trim LEDs are illuminated	
The system is experiencing very high or low utility voltage.	Have a qualified service personnel check your facility for electrical problems. If the problem persists, contact the utility company for further assistance.

Problem and/or Possible Cause	Solution
There is no utility power	
There is no utility power and the UPS is off.	<p>Use the cold start feature to supply power to the connected equipment from the UPS battery(s).</p> <p>Press and hold the  button. There will be a short beep followed by a longer beep. Release the button during the second beep.</p>
UPS operates on battery although line voltage exists	
The UPS input circuit breaker trips.	<p>Unplug all nonessential equipment from the UPS.</p> <p>Reset the circuit breaker.</p>
Your system is experiencing very high, low or distorted line voltage.	<p>Move the UPS to a different outlet on a different circuit: Inexpensive fuel powered generators may distort the voltage. Test the input voltage with the utility voltage display, (see <i>Operation</i>). If acceptable to the connected equipment, reduce the UPS sensitivity.</p>
Battery Charge and Load LEDs flash simultaneously	
<p>The UPS has shut down.</p> <p>The internal temperature of the UPS has exceeded the allowable threshold for safe operation.</p>	<p>Check that the room temperature is within the specified limits for operation.</p> <p>Check that the UPS is properly installed, allowing for adequate ventilation.</p> <p>Allow the UPS to cool down. Restart the UPS. If the problem persists, contact APC at www.apc.com.</p>
Diagnostic utility voltage	
All five LEDs are illuminated.	The line voltage is extremely high and should be checked by an electrician.
There is no LED illumination.	The line voltage is extremely low and should be checked by an electrician.
On Line LED	
There is no LED illumination.	The UPS is running on battery, or it must be turned on.
The LED is blinking.	The UPS is running an internal self-test.

Maintenance, Transport, and Service

Replace battery modules

This UPS has easy-to-replace, hot-swappable battery modules. Replacement is a safe procedure, isolated from electrical hazards. You may leave the UPS in the rack and connected equipment on during the replacement procedure.

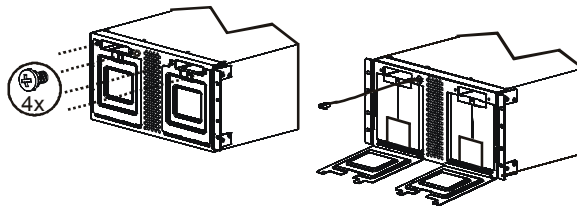
Once the batteries are disconnected the connected equipment is not protected from power outages.

Refer to the appropriate replacement battery user manual for battery module installation instructions. See your dealer or contact APC at www.apc.com for information on replacement battery modules.

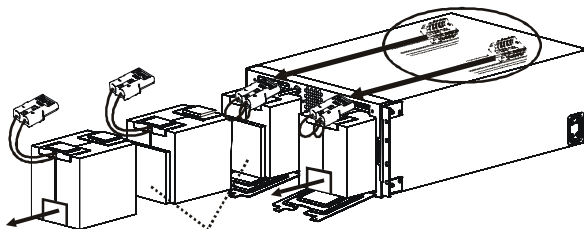


Be sure to deliver the spent battery(s) to a recycling facility or ship it to APC in the replacement battery packing material.

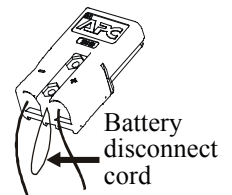
Open battery doors



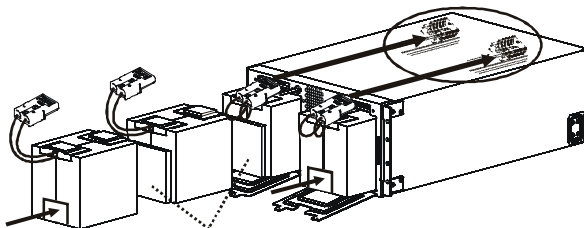
Remove spent batteries from the UPS



Pull the battery disconnect cords attached to the battery connectors. **DO NOT** pull the battery cables to disconnect the batteries.



Install new batteries



Service

If the UPS requires service do not return it to the dealer. Follow these steps:

1. Review the problems discussed in *Troubleshooting* to eliminate common problems.
2. If the problem persists, contact APC Customer Support through the APC Web site, **www.apc.com**.
 - Note the model number of the UPS, the serial number located on the back of the unit, and the date purchased. If you call APC Customer Support, a technician will ask you to describe the problem and attempt to solve it over the phone. If this is not possible, the technician will issue a Returned Material Authorization Number (RMA#).
 - If the UPS is under warranty, repairs are free.
 - Procedures for servicing or returning products may vary internationally. Refer to the APC Web site for country specific instructions.
3. Pack the UPS in its original packaging. If this is not available:
 - Pack the UPS carefully to avoid damage in transit. Never use Styrofoam beads for packaging.
 - Damage sustained in transit is not covered under warranty.
4. **Always DISCONNECT THE UPS BATTERY before shipping in compliance with U.S. Department of Transportation (DOT) and IATA regulations.** The battery may remain in the UPS.
5. Mark the RMA# on the outside of the package.
6. Return the UPS by insured, prepaid carrier to the address given to you by Customer Support.

Two-Year Warranty

The limited warranty provided by American Power Conversion (APC®) in this statement of Limited Factory Warranty applies only to products you purchase for your commercial or industrial use in the ordinary course of your business.

Terms of warranty

APC warrants its products to be free from defects in materials and workmanship for a period of two years from the date of purchase. The obligation of APC under this warranty is limited to repairing or replacing, at its sole discretion, any such defective products. This warranty does not apply to equipment that has been damaged by accident, negligence or misapplication or has been altered or modified in any way. Repair or replacement of a defective product or part thereof does not extend the original warranty period. Any parts furnished under this warranty may be new or factory-remanufactured.

Non-transferable warranty

This warranty extends only to the original purchaser who must have properly registered the product. The product may be registered at the APC Web site, www.apc.com.

Exclusions

APC shall not be liable under the warranty if its testing and examination disclose that the alleged defect in the product does not exist or was caused by end user or any third person misuse, negligence, improper installation or testing. Further, APC shall not be liable under the warranty for unauthorized attempts to repair or modify wrong or inadequate electrical voltage or connection, inappropriate on-site operation conditions, corrosive atmosphere, repair, installation, start-up by non-APC designated personnel, a change in location or operating use, exposure to the elements, Acts of God, fire, theft, or installation contrary to APC recommendations or specifications or in any event if the APC serial number has been altered, defaced, or removed, or any other cause beyond the range of the intended use.

THERE ARE NO WARRANTIES, EXPRESS OR IMPLIED, BY OPERATION OF LAW OR OTHERWISE, OF PRODUCTS SOLD, SERVICED OR FURNISHED UNDER THIS AGREEMENT OR IN CONNECTION HEREWITH. APC DISCLAIMS ALL IMPLIED WARRANTIES OF MERCHANTABILITY, SATISFACTION AND FITNESS FOR A PARTICULAR PURPOSE. APC EXPRESS WARRANTIES WILL NOT BE ENLARGED, DIMINISHED, OR AFFECTED BY AND NO OBLIGATION OR LIABILITY WILL ARISE OUT OF, APC RENDERING OF TECHNICAL OR OTHER ADVICE OR SERVICE IN CONNECTION WITH THE PRODUCTS. THE FOREGOING WARRANTIES AND REMEDIES ARE EXCLUSIVE AND IN LIEU OF ALL OTHER WARRANTIES AND REMEDIES. THE WARRANTIES SET FORTH ABOVE CONSTITUTE APC SOLE LIABILITY AND PURCHASER EXCLUSIVE REMEDY FOR ANY BREACH OF SUCH WARRANTIES. APC WARRANTIES EXTEND ONLY TO PURCHASER AND ARE NOT EXTENDED TO ANY THIRD PARTIES.

IN NO EVENT SHALL APC, ITS OFFICERS, DIRECTORS, AFFILIATES OR EMPLOYEES BE LIABLE FOR ANY FORM OF INDIRECT, SPECIAL, CONSEQUENTIAL OR PUNITIVE DAMAGES, ARISING OUT OF THE USE, SERVICE OR INSTALLATION, OF THE PRODUCTS, WHETHER SUCH DAMAGES ARISE IN CONTRACT OR TORT, IRRESPECTIVE OF FAULT, NEGLIGENCE OR STRICT LIABILITY OR WHETHER APC HAS BEEN ADVISED IN ADVANCE OF THE POSSIBILITY OF SUCH DAMAGES. SPECIFICALLY, APC IS NOT LIABLE FOR ANY COSTS, SUCH AS LOST PROFITS OR REVENUE, LOSS OF EQUIPMENT, LOSS OF USE OF EQUIPMENT, LOSS OF SOFTWARE, LOSS OF DATA, COSTS OF SUBSTITUENTS, CLAIMS BY THIRD PARTIES, OR OTHERWISE.

NO SALESMAN, EMPLOYEE OR AGENT OF APC IS AUTHORIZED TO ADD TO OR VARY THE TERMS OF THIS WARRANTY. WARRANTY TERMS MAY BE MODIFIED, IF AT ALL, ONLY IN WRITING SIGNED BY AN APC OFFICER AND LEGAL DEPARTMENT.

Warranty claims

Customers with warranty claims issues may access the APC customer support network through the Support page of the APC Web site, www.apc.com/support. Select your country from the country selection pull-down menu. Open the Support tab at the top of the Web page to obtain contact information for customer support in your region.

Regulatory Information

Regulatory Agency Approvals, Radio Frequency Warnings, Declaration of Conformity

FCC Compliance Notice

This equipment has been tested and found to comply with the limits for a Class A digital device, pursuant to part 15 of the FCC Rules. These limits are designed to provide reasonable protection against harmful interference when the equipment is operated in a commercial environment. This equipment generates, uses, and can radiate radio frequency energy. If it is not installed and used in accordance with the instruction manual, it may cause harmful interference to radio communications. Operation of this equipment in a residential area is likely to cause harmful interference in which case users will be required to take whatever measures may be necessary to correct the interference at their own expense.

208 V models



230 V models



APC Worldwide Customer Support

Customer support for this or any other APC product is available at no charge in any of the following ways:

- Refer to the APC Web site to access documents in the APC Knowledge Base and to submit customer support requests.
 - **www.apc.com** (Corporate Headquarters)
Connect to localized APC Web sites for specific countries, each of which provides customer support information.
 - **www.apc.com/support/**
Global support searching APC Knowledge Base and using e-support.
- Contact an APC Customer Support center by telephone or e-mail.
Local, country-specific centers:
go to **www.apc.com/support/contact** for information.

Contact the APC representative or other distributor from whom you purchased your APC product for information on how to obtain local customer support.

Entire contents copyright 2007 American Power Conversion Corporation. All rights reserved. Reproduction in whole or in part without permission is prohibited.

APC, the APC logo, Smart-UPS and PowerChute are trademarks of American Power Conversion Corporation. All other trademarks, product names, and corporate names are the property of their respective owners and are used for informational purposes only.

We, the undersigned, declare under our sole responsibility that the equipment specified below conforms to the following standards and directives:

Harmonized Standards: EN 60950-1; IEC 60950-1; EN 62040-1-1;
EN 55022; EN 55024;
IEC 61000-3-4, 3-5, 4-2, 4-3, 4-4, 4-5, 4-6, 4-11

Applicable Council Directives: 2006/95/EC; 89/336/EEC; 93/68/EEC

Type of Equipment: Uninterruptible Power Supply

Model Numbers: SUA5000RMI5U

Manufacturers:

American Power Conversion
Ballybritt Business Park
Galway, Ireland

American Power Conversion
2nd Street
PEZA, Cavite Economic Zone
Rosario, Cavite
Philippines

APC (Suzhou) UPS Co., Ltd
339 Suhong Zhong Lu
Suzhou Industrial Park
Suzhou Jiangsu 215021
P. R. China

American Power Conversion
Breaffy Rd.
Castlebar
Co Mayo, Ireland

American Power Conversion
Lot 10, Block 16, Phase 4
PEZA, Rosario, Cavite
Philippines

APC Power Infrastructure Co., Ltd
1678, Ji Xian Road, Tong An
Xiamen,
P. R. China 361100

American Power Conversion
132 Fairgrounds Rd.
West Kingston, RI 02892 USA

American Power Conversion
Lot 3, Block 14, Phase 3
PEZA, Rosario, Cavite
Philippines

American Power Conversion
1600 Division Rd.
West Warwick, RI 02892 USA

APC Brazil LTDA.
Al. Xingu, 850
Barueri
Alphaville/Sao Paulo
06455-030 Brazil

American Power Conversion
40 Catamore Blvd.
East Providence, RI 02914 USA

APC India Pvt. Ltd.
187/3, 188/3, Jigani Industrial Area, Jigani
Bangalore, 562106
Karnataka
India

Importer:

American Power Conversion (A. P. C.) b. v.
Ballybritt Business Park
Galway, Ireland

Place: Galway, Ireland

Ray S. Ballard, Managing Director, Europe



5 Jan 07

Free Manuals Download Website

<http://myh66.com>

<http://usermanuals.us>

<http://www.somanuals.com>

<http://www.4manuals.cc>

<http://www.manual-lib.com>

<http://www.404manual.com>

<http://www.luxmanual.com>

<http://aubethermostatmanual.com>

Golf course search by state

<http://golfingnear.com>

Email search by domain

<http://emailbydomain.com>

Auto manuals search

<http://auto.somanuals.com>

TV manuals search

<http://tv.somanuals.com>