



MANUAL PART NUMBER: 400-0520-001

SP107-101/101C

FURNITURE MOUNT INTERCONNECT BOX USER'S GUIDE

ALTIMEX[®]

SIGNAL
MANAGEMENT
SOLUTIONS[®]

Tel: 714-990-2300 • Toll-Free: 1-800-ALTIMEX • FAX: 714-990-3303 • E-mail: solutions@altinex.com • Web: www.altinex.com

TABLE OF CONTENTS

	Page
PRECAUTIONS / SAFETY WARNINGS	2
GENERAL.....	2
INSTALLATION PRECAUTIONS	2
CLEANING.....	2
FCC NOTICE	2
ABOUT YOUR SP107-101.....	3
TECHNICAL SPECIFICATIONS.....	3
PRODUCT DESCRIPTION	5
APPLICATION DIAGRAMS	6
DIAGRAM 1: CUTOUT DIMENSIONS	6
DIAGRAM 2: DIMENSIONS	7
DIAGRAM 3: SP107-101 INSTALLATION	8
INSTALLING YOUR SP107-101/101C	9
OPERATION.....	9
TROUBLESHOOTING GUIDE	9
ALTINEX POLICIES	9
LIMITED WARRANTY/RETURN POLICIES	9
CONTACT INFORMATION	9

PRECAUTIONS / SAFETY WARNINGS 1

Please read this manual carefully before using your **SP107-101** AV Interconnect. Keep this manual handy for future reference. These safety instructions are to ensure the long life of your **SP107-101** and to prevent fire and shock hazards. Please read them carefully and heed all warnings.

1.1 GENERAL

- Unauthorized personnel shall not open the unit. There are high-voltage components inside.
- Qualified ALTINEX service personnel or their authorized representatives must perform all service.

1.2 INSTALLATION PRECAUTIONS

- For best results, place the **SP107-101** in a dry area away from dust.
- To prevent fire or shock, do not expose this unit to water or moisture. Do not place the **SP107-101** in direct sunlight, near heaters or heat-radiating appliances, or near any liquid. Exposure to direct sunlight, smoke, or steam can harm internal components.
- Handle the **SP107-101** carefully. Dropping or jarring can damage the bezel.
- Never place fingers inside the opening on either side of the unit. This action could cause injury due to sharp edges inside.
- Disconnect the **SP107-101**'s power cord to turn off the main power. This supplies power to the AC sockets on the panel. The power outlet should be installed near the equipment and should be easily accessible.
- We recommend using wall outlets with a Ground Fault Circuit Interrupter (GFCI) for maximum protection.
- Install all cables according to the instructions found herein. Do not force or pull any cable or power cord that is attached to the **SP107-101**.

1.3 CLEANING

- Surfaces should be cleaned with a dry cloth. Never use strong detergents or solvents such as alcohol or thinner. Do not use a wet cloth or water to clean the unit.

1.4 FCC NOTICE

- This device complies with Part 15 of the FCC Rules. Operation is subject to the following two conditions: (1) This device may not cause harmful interference, and (2) this device must accept any interference received, including interference that may cause undesired operation.
- This equipment has been tested and found to comply with the limits for a Class A digital device, pursuant to Part 15 of the FCC Rules. These limits are designed to provide reasonable protection against harmful interference when the equipment is operated in a commercial environment. This equipment generates, uses, and can radiate radio frequency energy and, if not installed and used in accordance with the instructions found herein, may cause harmful interference to radio communications. Operation of this equipment in a residential area is likely to cause harmful interference in which case the user will be required to correct the interference at his expense.
- Any changes or modifications to the unit not expressly approved by ALTINEX, Inc. could void the user's authority to operate the equipment.

ABOUT YOUR SP107-101

2

SP107-101

Surface Mount AV Interconnect Plate

The **SP107-101** is designed for use in a table, podium, or other piece of furniture and is part of the many interconnection solutions offered by ALTINEX. It provides a means of connecting a laptop or other audiovisual equipment on the surface to a presentation system below the furniture or in another room. The **SP107-101** offers interconnections for the most frequently used presentation inputs.

- AC power
- Computer audio and video
- Network and USB

Female receptacles for power and computer signals are provided in the panel. The AC power cable is permanently attached to the **SP107-101** and has a cord length of 10 ft (3 m). Short adapter cables are preinstalled at the factory for computer audio, HDMI, S-Video, USB, and network connections for ease of installation. Bulkhead connectors are provided for computer video, composite video, and left and right audio. Six foot extension cables are provided for all signal connections.

The **SP107-101C** is customizable and allows different connector types to be selected at the time of purchase. The AC receptacle and circuit breaker are fixed, but the other connectors can be replaced with other video, audio, and communication type connectors. For example, the 15-pin HD computer video input connector can be replaced with a 9-pin D-sub connector for serial communication. There are several options available for use in the network location. See the ALTINEX website for a complete list of available connector types including: RCA jacks, LED indicators, 4-pin Mini-DINs, etc.

TECHNICAL SPECIFICATIONS

3

Specifications are subject to change.
See www.altinex.com for up-to-date information.

FEATURES/ DESCRIPTION	SP107-101
PASS-THROUGH	
AC Power	
<i>10 ft (3 m)</i>	
110 VAC, 60 Hz, 5 A	NEMA F-M
Audio, Video, USB, and Network	
<i>8 in (203 mm)</i>	
Computer Audio	3.5mm F-F (1)
Digital Video	HDMI F-F (1)
S-Video	4-pin Mini DIN F-F (1)
USB	Type-A F-F (1)
Network	RJ-45 F-F (1)
<i>Bulkhead Connector</i>	
Computer Video	15-pin HD F-F (1)
Composite Video	RCA F-F (1)
Left & Right Audio	RCA F-F (2)
Accessories Included	
Extension cables 6 ft (2 m)	§ VGA, M-M § S-Video, M-M § RCA x3 (V, L, R), M-M § CAT-5, M-M § HDMI, M-M § USB Type-A, M-M § Audio 3.5mm, M-M
Miscellaneous Hardware	§ Mountings brackets § Mounting screws

Table 1. **SP107-101** Description

MECHANICAL	SP107-101
Max. Table Thickness	3.0 in (76 mm)
Width	6.4 in (163 mm)
Depth	4.4 in (112 mm)
Height <i>(from surface down, not including cables)</i>	3.0 in (76 mm)
Net Weight SP107-101	2.4 lb (1.1 kg)
Net Weight Extension Cables	2.2 lb (1.0 kg)
Shipping Weight (approx.)	6.1 lb (2.8 kg)
Material	0.062 in Aluminum
Finish	Black paint, Fine texture
T° Operating (T° Max)	10°C-35°C (40°C)
Humidity	90% non-condensing

Table 2. **SP107-101** Mechanical

ELECTRICAL	SP107-101
Power Rating (pass-through AC power)	120VAC, 60Hz, 15A

Table 3. **SP107-101** Electrical

PRODUCT DESCRIPTION

4

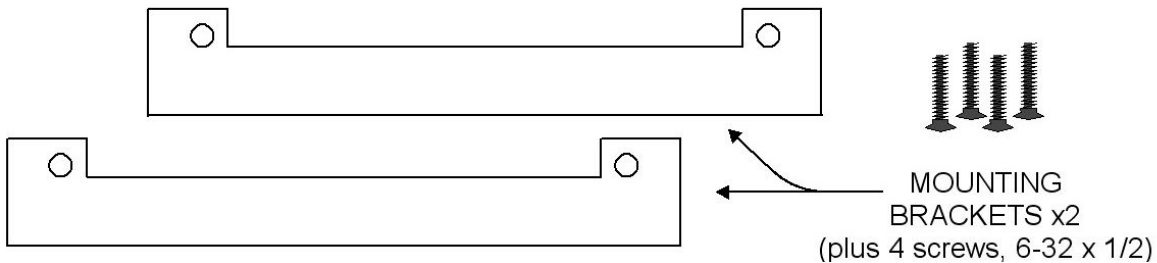
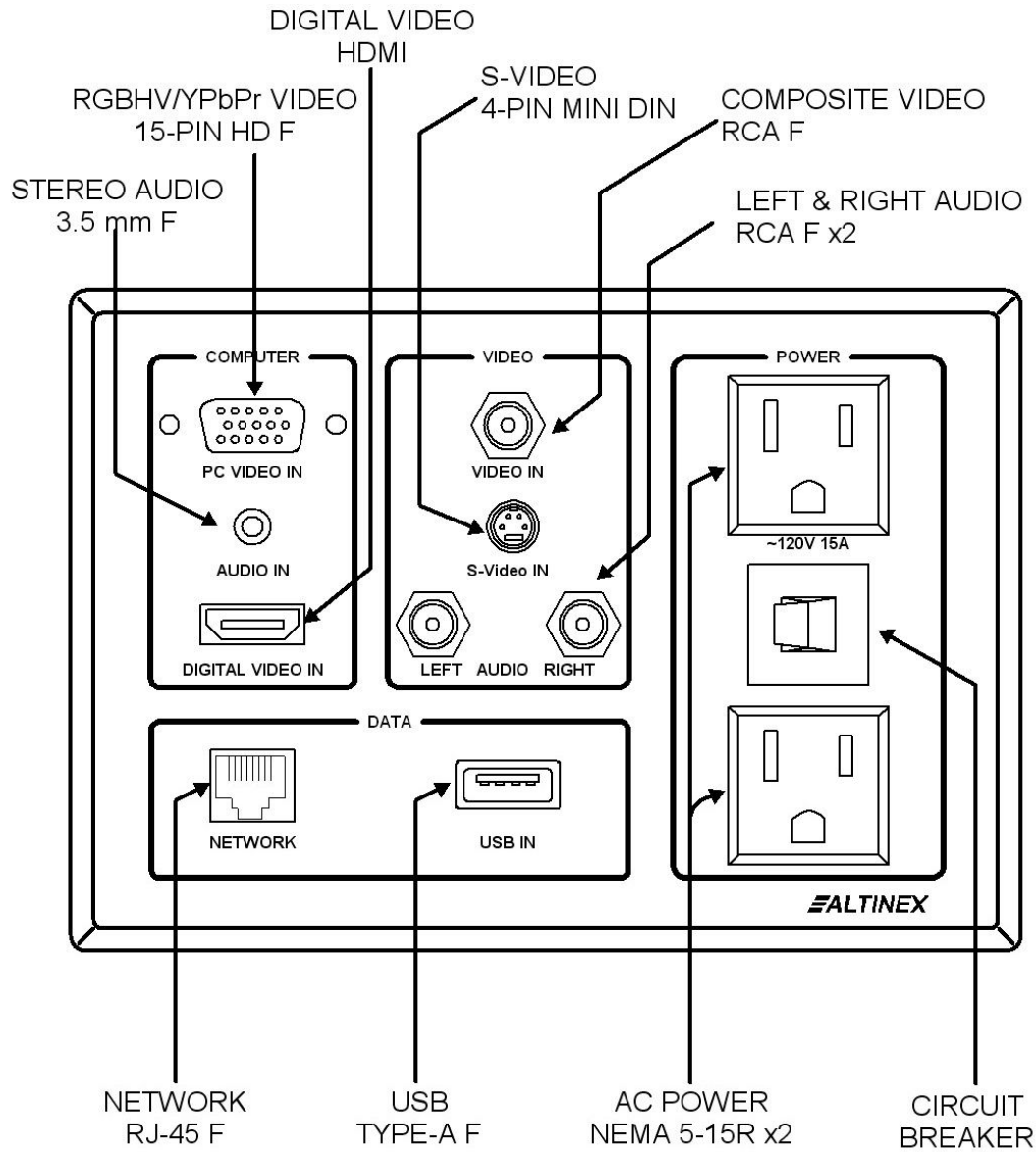
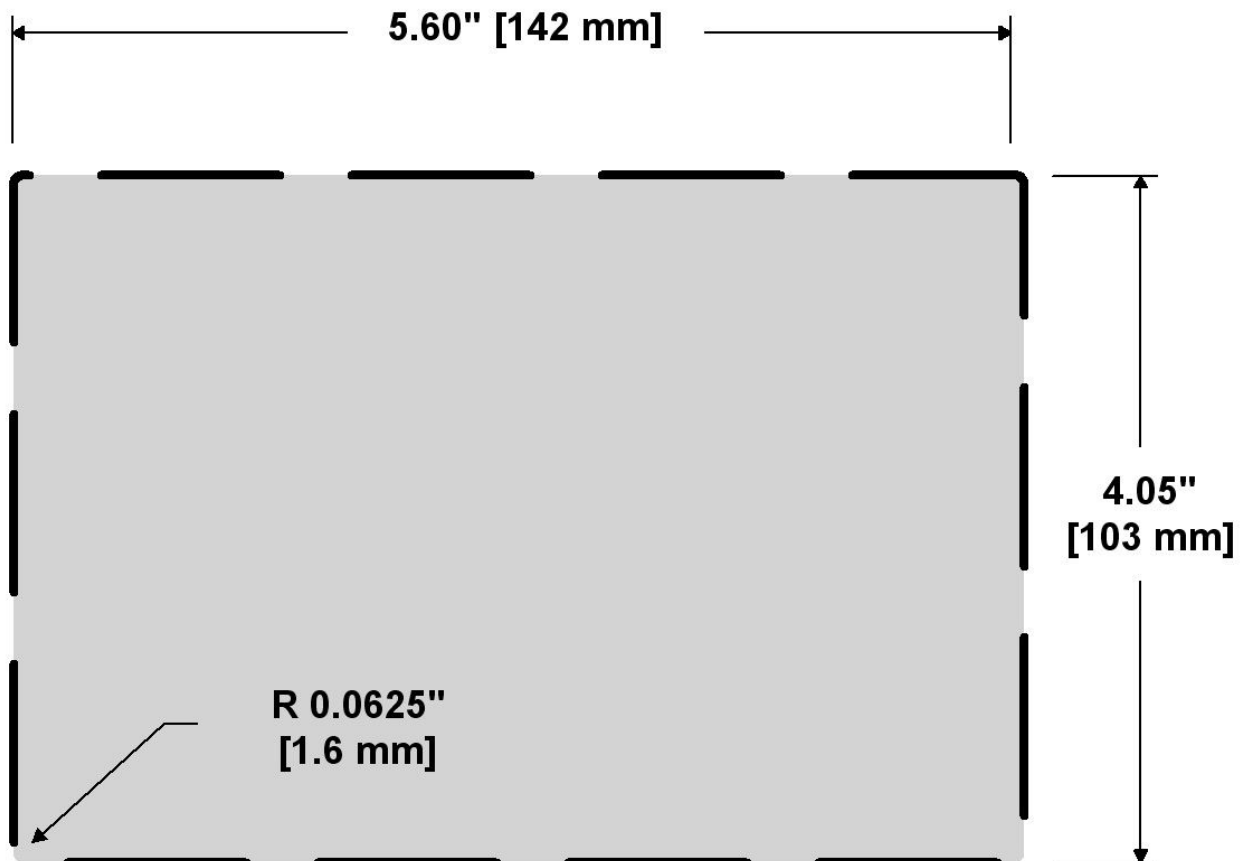


DIAGRAM 1: CUTOUT DIMENSIONS



Make sure the long edge runs parallel to the edge of the furniture or faces the user.

DIAGRAM 2: DIMENSIONS

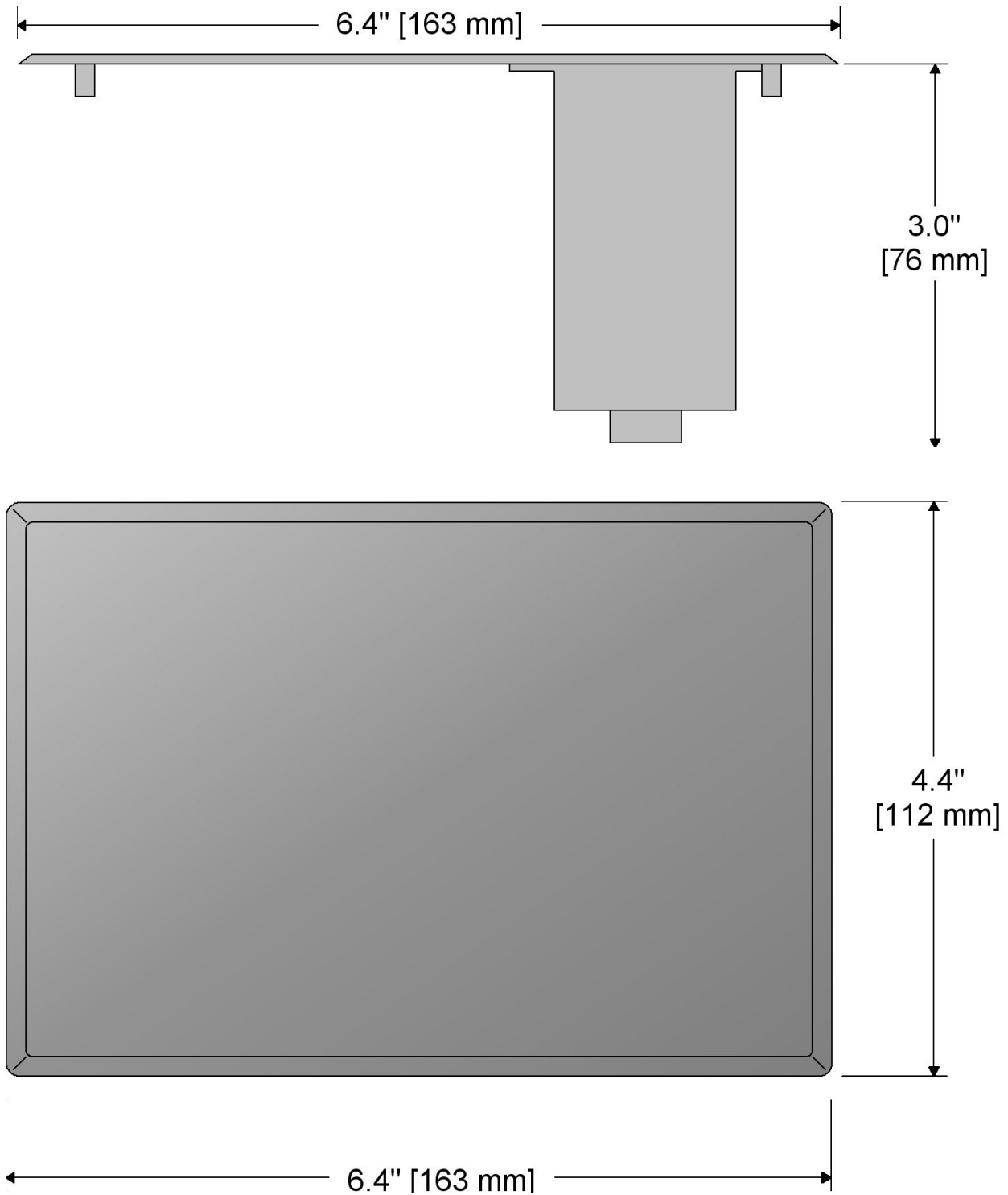
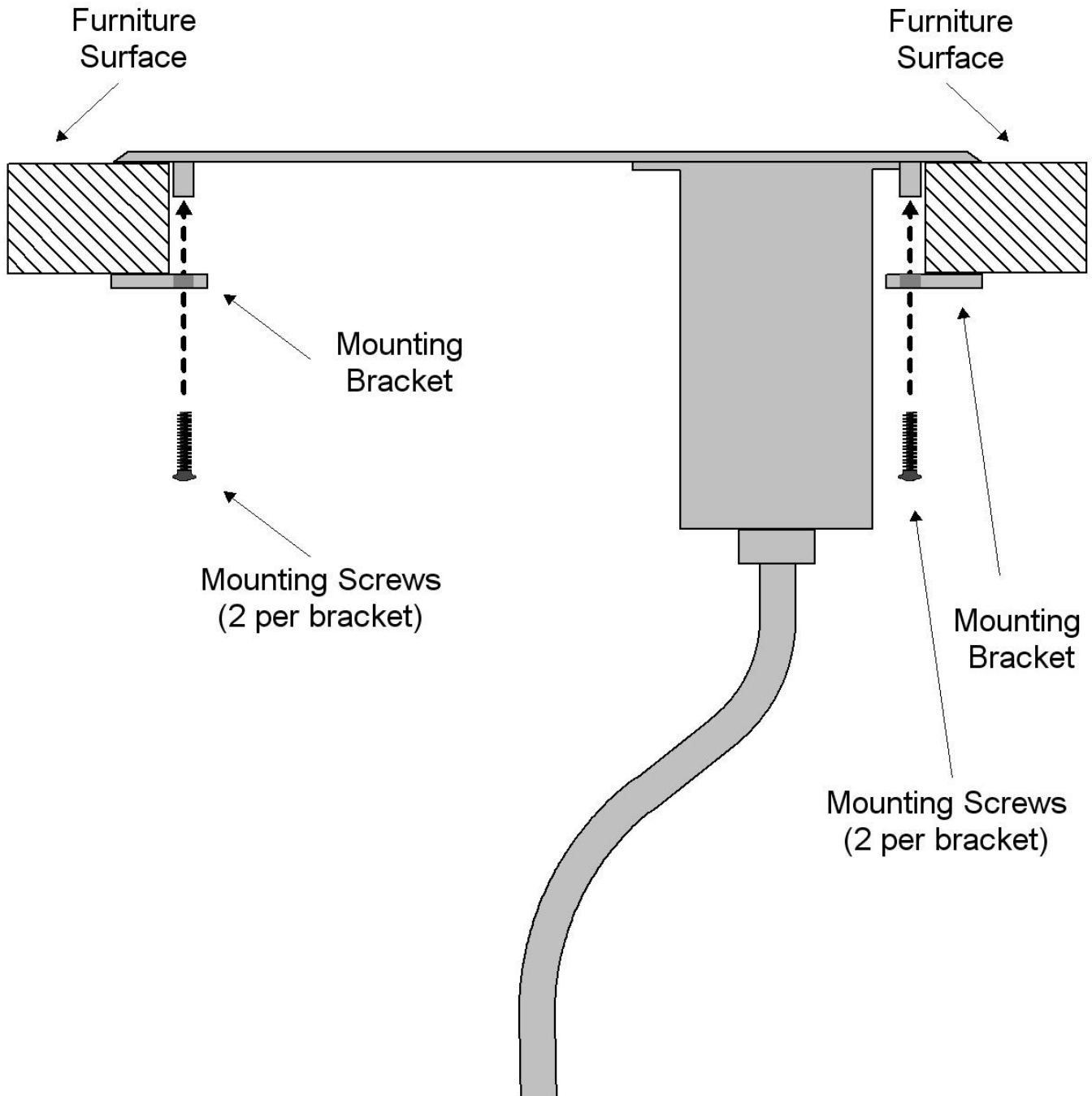


DIAGRAM 3: SP107-101 INSTALLATION



INSTALLING YOUR SP107-101/101C 6

Step 1. Cut an opening into the furniture's surface.

Note: The furniture can be 3" or less in thickness. Always confirm dimensions before cutting to insure that specifications have not changed.

Step 2. Insert the **SP107-101/101C** into the table cutout.

Step 3. Refer to Diagram 3 and from underneath the furniture surface, attach the mounting brackets to the 6-32 studs on the bottom side of the **SP107-101/101C** using the screws provided.

NOTE: If the surface is too thick for the screws provided, longer 6-32 screws can be used.

Step 4. Secure the audio/video cables by using cable clamps, tie wraps, or other standard mounting hardware. Pass the power cord from the bottom of the housing and attach it to the furniture separately from the audio/video cables.

Step 5. Connect the appropriate cables with the correct input connectors on the bottom of the unit.

Step 6. The **SP107-101/101C** is now operational.

OPERATION 7

The **SP107-101/101C** requires no adjustments for performance. Once set-up, the **SP107-101/101C** will work trouble-free without user intervention.

Connect external devices to the appropriate connector on the **SP107-101/101C**.

TROUBLESHOOTING GUIDE 8

The **SP107-101/101C** supplied was carefully tested and no problems were detected. However, we would like to offer the following suggestions:

- Please make sure that the highest quality network cables are used.
- Make sure that no cable or power cord is damaged or pinched. If there has been damage, do not use the **SP107-101/101C**. Please call the ALTINEX Customer Service Department at (714) 990-2300 to have the unit repaired.

ALTINEX POLICIES 9

9.1 LIMITED WARRANTY/RETURN POLICIES

Please see the ALTINEX website at www.altinex.com for details on warranty and return policies.

9.2 CONTACT INFORMATION

ALTINEX, Inc.

592 Apollo Street

Brea, CA 92821 USA

TEL: 714 990-2300

TOLL FREE: 1-800-ALTINEX

WEB: www.altinex.com

E-MAIL: solutions@altinex.com

Free Manuals Download Website

<http://myh66.com>

<http://usermanuals.us>

<http://www.somanuals.com>

<http://www.4manuals.cc>

<http://www.manual-lib.com>

<http://www.404manual.com>

<http://www.luxmanual.com>

<http://aubethermostatmanual.com>

Golf course search by state

<http://golfingnear.com>

Email search by domain

<http://emailbydomain.com>

Auto manuals search

<http://auto.somanuals.com>

TV manuals search

<http://tv.somanuals.com>