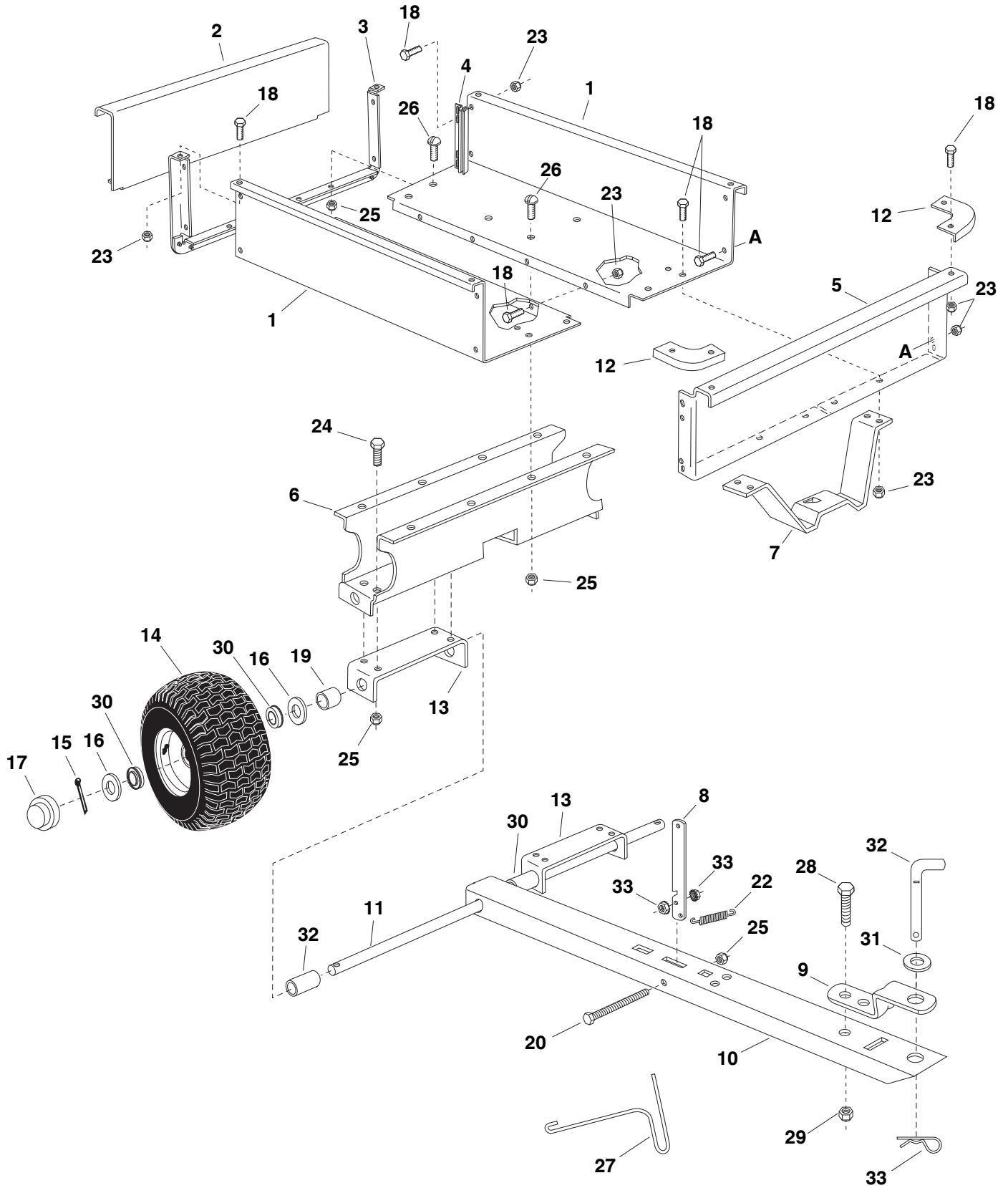


REPAIR PARTS FOR CART MODEL 45-02175



REPAIR PARTS LIST FOR CART MODEL 45-02175

REF. NO.	PART NO.	DESCRIPTION	Quantity
1	23984	Cart Body	2
2	23504	Tailgate	1
3	62457	Tailgate Reinforcement Bracket	1
4	23548	Guide, Tailgate	2
5	23490	Front Panel	1
6	23487	Wheel Support	1
7	24757	Latch Stand Bracket	1
8	24498	Latch Lock Lever	1
9	23014	Hitch Bracket	1
10	24756	Tongue (Draw Bar)	1
11	24462	Axle, Wheel 1" Dia.	1
12	23484	Cap, Front Corner	2
13	23357	Axle Extension Bracket	2
14	48906	Wheel, 18.0" x 9.5"	2
15	43093	Cotter Pin, 1/8" Dia. x 1-1/2"	2
16	43601	Washer, Flat 1.032"	4
17	43014	Hub Cap	2
18	43012	Hex Bolt, 1/4-20 x 3/4" *	24
19	45132	Spacer Tube (Short)	2
20	47407	Hex Bolt, 5/16-18 x 3-3/4"	1
21	43343	Hair Cotter Pin, 3/32"	1
22	47408	Spring	1
23	47189	Nylock Nut, 1/4-20 Thread *	24
24	43182	Hex Bolt, 5/16-18 x 3/4" Lg.*	8
25	47810	Nylock Nut, 5/16" Thread	21
26	43814	Slit. Truss Hd. Bolt, 5/16-18 x 3/4" Lg.*	12
27	47622	Spring Puller Tool	1
28	43001	Hex Bolt, 3/8-16 x 1" Lg. *	1
29	HA21362	Nylock Nut, 3/8-16 Thread *	1
30	65408	Wheel Bearing Kit	2
31	R19171616	Flat Washer, 17/32" x 1"	1
32	43884	Pin, Hitch	1
33	46980	Hex Nut, 5/16-18 (SEMS)	2
	40314	Owners Manual	1

* Purchase Common Hardware Locally

SpeedEPart *the fastest way to purchase parts* www.speedepart.com

Free Manuals Download Website

<http://myh66.com>

<http://usermanuals.us>

<http://www.somanuals.com>

<http://www.4manuals.cc>

<http://www.manual-lib.com>

<http://www.404manual.com>

<http://www.luxmanual.com>

<http://aubethermostatmanual.com>

Golf course search by state

<http://golfingnear.com>

Email search by domain

<http://emailbydomain.com>

Auto manuals search

<http://auto.somanuals.com>

TV manuals search

<http://tv.somanuals.com>