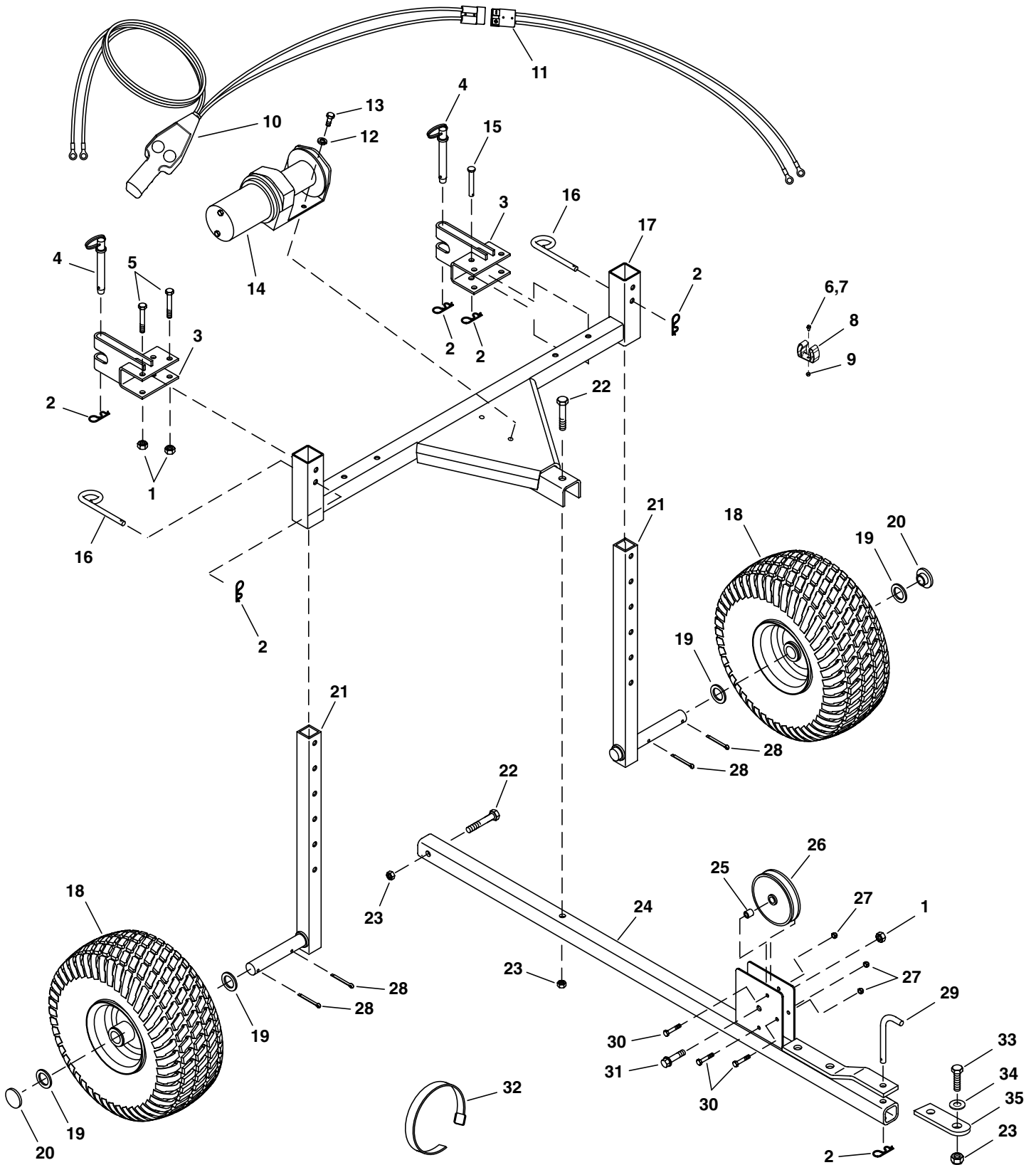


REPAIR PARTS FOR MODEL NO. 45-0353 3-POINT HITCH TRAILER



REPAIR PARTS FOR MODEL NO. 45-0353 3-POINT HITCH TRAILER

REF. NO.	PART NO.	QTY.	DESCRIPTION	REF. NO.	PART NO.	QTY.	DESCRIPTION
1	HA21362	5	Hex Nut, Nylock, 3/8"	19	43601	4	Washer, 1.59" x 1.032" x .060"
2	43343	7	Haircotter Pin, 1/8" x 2-3/8"	20	43014	2	Hub Cap, 1-1/2"
3	64778	2	Hitch Anchor Assembly	21	64770	2	Axle Assembly
4	48967	2	Quick Attach Pin	22	43510	2	Hex Bolt, 1/2" x 2-3/4" Lg.
5	43432	4	Hex Bolt, 3/8"-16 x 2-1/2" Lg.	23	712-3083	3	Hex Nut, Nylock, 1/2"
6	49383	1	Screw, #6 x 3/4"	24	64792	1	Drawbar Assembly
7	49385	1	Screw, #8 x 3/8"	25	24286	1	Spacer
8	47397	2	Clip	26	48980	1	Pulley Assembly
9	49384	1	Hex Nut, Nylock #6-32	27	47189	3	Hex Nut, Nylock, 1/4"
10	65040	1	Switch Assembly	28	43093	4	Cotter Pin, 1/8" x 1-1/2"
11	65039	1	Wire Harness Assembly	29	46065	1	Hitch Pin
12	43086	2	Lock Washer, 5/16"	30	1509-69	3	Hex Bolt, 1/4" x 1-3/4"
13	43063	2	Hex Bolt, 5/16"-18 x 1" Lg.	31	41576	1	Hex Bolt, 3/8" x 1-3/4"
14	WW2000V12	1	Winch	32	49232	3	Strap, Reclosable
15	43513	2	Clevis Pin, 3/8" x 3" Lg.	33	44063	1	Hex Bolt, 1/2" x 1-1/4"
16	23353	2	Height Adjust Pin	34	R19172410	1	Washer, 1/2"
17	64769	1	Trailer Frame Assembly	35	25393	1	Hitch Plate
18	48965	2	Wheel, 15" x 6.00		48975	1	Owner's Manual (not shown)

SpeedPart *the fastest way to purchase parts* www.speedepart.com

Free Manuals Download Website

<http://myh66.com>

<http://usermanuals.us>

<http://www.somanuals.com>

<http://www.4manuals.cc>

<http://www.manual-lib.com>

<http://www.404manual.com>

<http://www.luxmanual.com>

<http://aubethermostatmanual.com>

Golf course search by state

<http://golfingnear.com>

Email search by domain

<http://emailbydomain.com>

Auto manuals search

<http://auto.somanuals.com>

TV manuals search

<http://tv.somanuals.com>