

SANTO C 8 16 41-4i

Integrated Fridge Freezer

Operating and Installation Instructions

Dear customer,

Before switching on your new refrigerator/freezer please read these operating instructions carefully. They contain important information for safe use, for installation and for care of the appliance.

Please keep these operating instructions for future reference. Pass them on to possible new owners of the appliance.

These operating instructions are for use with several technically comparable models with varying accessories. Please observe the notes which apply to your model.



Notes which are important for your safety or for the proper functioning of the appliance are stressed with a warning triangle and/or with signal words (Warning!, Important!, Attention!). Please observe the following instructions carefully.



Additional information regarding operation and practical applications of the appliance appear after this symbol.



Tips and notes concerning economical and environmentally sound use of the appliance are marked with the flower.

In the event of a malfunction, these operating instructions contain information on how to rectify faults yourself, see the "Something Not Working" section.

For further assistance contact your local AEG Service Force Centre, see the chapter "Service and Spare Parts".

Printed on paper manufactured with environmentally sound processes.
who thinks ecologically acts accordingly ...

Contents

| | |
|--|----|
| Safety | 4 |
| Disposal | 5 |
| Appliance Packaging Information | 5 |
| Disposal of Old Appliances | 5 |
| Remove Transport Packaging | 6 |
| Shelf Holders | 6 |
| Operating and Indicator Panel | 7 |
| Starting Up and Temperature Regulation | 7 |
| Interior Accessories | 8 |
| Storage Shelves | 8 |
| Variable Inner Door | 8 |
| Variable Storage Box | 8 |
| Moisture Regulator | 9 |
| Fresh Food Refrigeration | 10 |
| Freezing and Storing Frozen Food | 10 |
| Ice Pack | 11 |
| Preparation of Ice Cubes | 11 |
| Freezing Calendar | 12 |
| Defrosting | 12 |
| Switching Off the Appliance | 13 |
| Cleaning and Care | 13 |
| Energy Saving Tips | 14 |
| Something Not Working | 15 |
| Changing the Light Bulb | 16 |
| Service and Spare Parts | 17 |
| Guarantee Conditions | 18 |
| Installation | 19 |
| Electrical Connection | 19 |
| Positioning | 20 |
| Your Appliance Needs Air | 20 |
| Housing Dimensions | 20 |
| Regulations, Standards, Guidelines | 21 |

Safety

Please read this instruction book before using the appliance and retain for future reference. These warnings are provided in the interests of your safety, ensure you understand them fully before using the appliance.

Intended use

- The appliance is intended for use in the home. It is suitable for the cooling, freezing and storing of frozen food, as well as for making ice. If the appliance is used for purposes other than those intended or used incorrectly, no liability can be accepted by the manufacturer for any damage that may be caused.
- Alterations or changes to the appliance are not permitted for reasons of safety.

Prior to initial start-up

- Check the appliance for transport damage. Under no circumstance should a damaged appliance be plugged in! In the event of damage, please contact your retailer.

Refrigerant

The refrigerant isobutane (R600a) is contained within the refrigerant circuit of the appliance, a natural gas with a high level of environmental compatibility, which is nevertheless flammable.

- During transportation and installation of the appliance, be certain that none of the components of the refrigerant circuit become damaged.
- If the refrigerant circuit should become damaged:
 - avoid open flames and sources of ignition;
 - thoroughly ventilate the room in which the appliance is situated.

Safety of children

- Keep packaging material away from children.
- Please make old appliances unusable prior to disposal. Pull out the mains plug, cut off the mains cable and remove any locks or catches, to prevent young children being trapped inside.
- Do not allow children to tamper with the controls or play with the product.

Daily Operation

- Do not operate any electrical appliances in the refrigerator/freezer (e.g. electric ice cream makers, mixers etc.).
- Before cleaning the appliance, always switch off the appliance and disconnect from the electricity supply.
- When unplugging always pull the plug from the mains socket, do not pull on the cable.

Service

- Under no circumstances should you attempt to repair the appliance yourself. Repairs carried out by inexperienced persons may cause injury or serious malfunctioning. Contact your local AEG Service Force Centre.

Disposal

Appliance Packaging Information

All materials are environmentally sound.

The plastics can be recycled and are identified as follows:

>PE< for polyethylene, e.g. the outer covering and the bags in the interior.

>PS< for polystyrene foam, e.g. the pads, which are all free of chlorofluorocarbon.

The carton parts are made from recycled paper and should be disposed of at a waste-paper recycling collection location.

Disposal of Old Appliances

For environmental reasons, refrigeration appliances must be disposed of properly. This applies to your old appliance, and - at the end of its service life - to your new appliance as well.

Warning! Before disposing of old appliances make them inoperable. Remove plug from mains, sever the power cable, remove or destroy any snap or latch closures, to prevent small children being trapped inside.

- Use an authorised disposal site.

Contact your Local Council or Environmental Health Office to see if there are facilities in your area to recycle the appliance.

Remove Transport Packaging



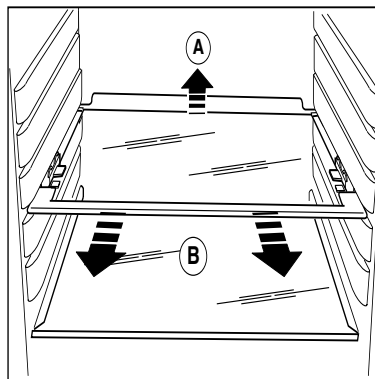
The appliance and the interior fittings are protected for transport.

- Remove all adhesive tape and packing pieces from the interior of the appliance.

Shelf Holders

Your appliance is equipped with shelf retainers that make it possible to secure the shelves during transportation.

To remove them proceed as follows:
Raise the shelf from the back, push it in the direction of the arrow until it is freed and remove the retainers.



Operating and Indicator panel



- A. Light button
- B. Pilot light fast-freeze
- C. Fast freeze button
- D. Temperature regulator and ON/OFF switch

The **temperature regulator (D)**, which is also the appliance's On/Off switch. The yellow pilot light (B) comes on when the **fast freezing button (C)** has been operated. The refrigerating unit then operates continuously.

Important note: if you operate the fast-freeze switch or adjust the temperature control knob, the motor might not start immediately. This does not mean that your appliance has a fault.

Starting Up and Temperature Regulation

Wash the inside of the appliance with lukewarm water with a little bicarbonate of soda added (5ml to 0,5 litre of water). Do not use soap or detergent as the smell may linger. Dry the appliance thoroughly.

- Turn the temperature control knob (D) in the direction of „1“.
- Operate the fast-freeze button (C). The yellow pilot lamp (B) comes on.

Setting "•": Off.

Setting "1": Highest temperature, (warmest setting).

Setting "4" (end-stop) : Lowest temperature, (coldest setting).

The exact setting should be chosen keeping in mind that the temperature inside the refrigerator depends on:

- the quantity of food stored
- how often the door is opened

The temperatures in the refrigerator compartment and freezer compartment cannot be independently regulated.

If you want to freeze fresh food rapidly, select setting "4", ensuring that the temperature in the refrigerator compartment does not drop below 0°C. You should reset the temperature control knob to setting "2" or "3", if this does occur.

As soon as the fresh food placed in the freezer has frozen, return the temperature control knob to "2" or "3".

Important!

High ambient temperatures (e.g. on hot summer days) and a cold setting on the temperature regulator (position "3" to "4") can cause the compressor to run continuously.

If this happens, turn the temperature regulator back to a warmer setting (position "2" to "3"). At this setting the compressor will be switched on and off as usual and automatic defrosting recommenced.

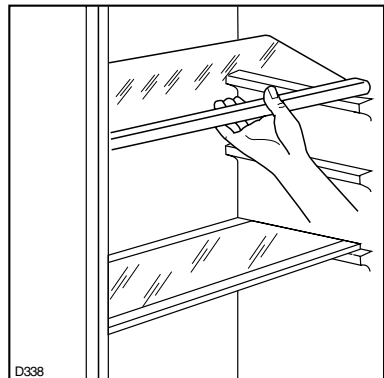
Interior Accessories

Storage Shelves

The glass shelf above the fruit and vegetable compartment should always remain in position, to ensure fruit and vegetables stay fresh longer.

The remaining storage shelves can be adjusted to various heights:

Pull the storage shelf forward until it can be tipped up or down and removed.



To insert at a different height use the same procedure in reverse.

Adjustment for tall goods:

Remove the front half of the two-part vario glass storage shelf and insert it at a different level. Space is thus gained for storage of tall goods on the underlying storage shelf.

Variable Inner Door

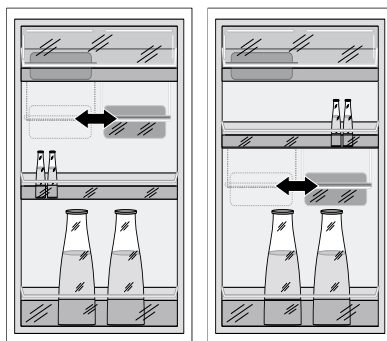
The door compartments can be pulled up and removed, and inserted at other positions as needed.

Variable Storage Box

Some models are equipped with a variable storage box which is fitted under a door shelf compartment and can be slid sideways.

The box can be inserted under any door shelf compartment.

1. To change the position of the storage box; lift the shelf compartment with the box upwards and out of the holders in the door and remove the retaining bracket out of the guide under the shelf compartment.
2. Reverse the above operation to insert the shelf at a different height.



Moisture Regulator

There is an adjustable air grille in front of the shelf above the fruit and vegetable compartments.

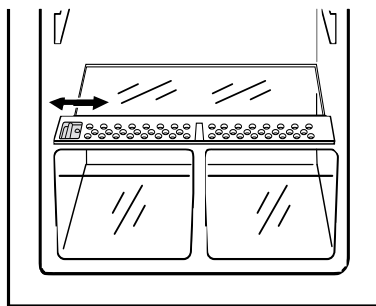
The opening in the ventilation slots can be adjusted with the slider.

Right slider: Ventilation slots opened.

With the ventilation slots open, more air circulation results in a lower air moisture content in the fruit and vegetable compartments.

Left slider: Ventilation slots closed.

When the ventilation slots are closed, the natural moisture content of the food in the fruit and vegetable compartments is preserved for longer.



Fresh Food Refrigeration

To obtain the best performance:

- do not store warm food or evaporating liquid in the refrigerator
- do cover or wrap the food, particularly if it has a strong flavour.
- position food so that air can circulate freely round it.

Useful hints:

Meat (all types): wrap in polythene bags and place on the glass shelf above the vegetable drawer(s)

For safety, store in this way only one or two days at the most.

Cooked foods, cold dishes, etc: these should be covered and may be placed on any shelf.

Fruit and vegetables: these should be thoroughly cleaned and placed in the special drawer(s) provided.

Butter and cheese: these should be placed in special airtight containers or wrapped in aluminium foil or polythene bags to exclude as much air as possible.

Milk bottles: these should have a cap and should be stored in the bottle rack on the door.

Bananas, potatoes, onions and garlic, if not in airtight containers, must not be kept in the refrigerator.

Freezing and storing frozen food

You can use your freezer for freezing fresh food yourself.

Important!

- The temperature in the freezer compartment must be -18°C or colder before freezing food.
- Please observe the freezing capacity given on the rating plate. The freezing capacity is the maximum quantity of fresh food that can be frozen within a period of 24 hours. If you wish to freeze food several days in a row, please observe a maximum capacity of only $\frac{2}{3}$ to $\frac{3}{4}$ of that on the rating plate. The quality of the food is best preserved when it is frozen right through to the core as quickly as possible.
- Allow warm food to cool down before freezing. The warmth will cause increased ice formation and increase the power consumption.

- Please note the maximum storage times specified by the manufacturer.
- Thawed foods which have not been processed further (cooked into meals) may not under any circumstances be frozen a second time.
- Containers with flammable gases or liquids can leak at low temperatures. There is a risk of an explosion! Do not store any containers with flammable materials such as, for example, spray cans, fire extinguisher refill cartridges etc in the refrigerator/freezer.
- Bottles and cans must not be placed in the freezer. They can burst when the contents freeze, high carbonate content drinks can even explode! Never store lemonade, juices, beer, wine, sparkling wine etc. in the freezer.
- All foods must be packed air tight prior to freezing, so that they do not dry out or lose their flavour, and so that no flavour contamination of other frozen goods occurs.
- Ice cream or ice cubes can cause 'frost/freezer burns if consumed straight from the freezer.



Important! Do not touch frozen food with wet hands. Your hands could stick to the food.

1. Place the packed food in the drawers. Place food to be frozen in the upper drawer. Unfrozen food must not touch items already frozen, otherwise the frozen food could begin to defrost.
2. Press the fast freeze button 24 hours before introducing fresh food for freezing. The yellow light comes on.
3. Place frozen foods in the drawers sorted by type, as far as possible.

Ice Pack

There are two ice packs in one drawer of the freezer.

In the event of a power failure or malfunction, the ice pack will lengthen the amount of time it takes for the frozen food to become too warm by several hours. The ice pack can only fulfil this task efficiently if it is placed in the uppermost drawer, at the front, above the frozen food. You can use the ice pack for cooling cold bags.

Preparation of Ice Cubes

1. Fill the ice cube tray 3/4 full with cold water, place it in the freezer compartment and leave to freeze.
2. To loosen the frozen cubes, either twist the ice cube tray or hold it under running water for a few seconds.

Important! Never try to free an ice tray that is frozen to the freezer compartment using pointed or sharp edged objects. Use the ice scraper supplied.

Freezing Calendar

- The symbols on the drawers show different types of frozen goods.
- The numbers indicate storage times in months for the appropriate types of frozen goods. Whether the upper or lower value of the indicated storage time is valid depends on the quality of the foods and pre-treating before freezing. The lower value applies to foods with high fat content.



Defrosting

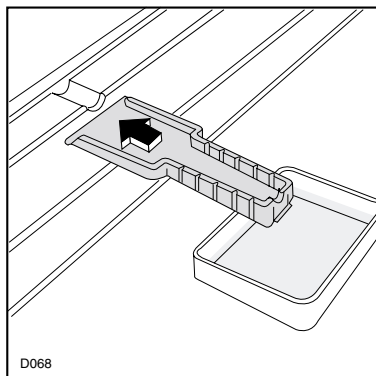
Refrigerator

Frost is automatically removed from the evaporator of the refrigerator compartment every time the motor compressor stops, during normal use. The defrost water drains out through a trough into a special container at the back of the appliance, located over the motor compressor, where it evaporates.

Freezer

The freezer compartment, however, will become progressively covered with frost. This should be removed with the special plastic scraper provided, whenever the thickness of the frost exceeds 4 mm. During this operation it is not necessary to switch off the power supply or to remove the foodstuffs. However when the ice becomes very thick on the inner liner, complete defrosting should be carried out as follows:

1. Remove the frozen food from the freezer, wrap it in several layers of newspaper and put it in a very cool place.
2. Switch off the appliance and pull out the plug, or turn the temperature control knob to "•".
3. Leave the freezer compartment door open.
4. Insert the plastic scraper into the recess provided under the defrost water channel and place a collecting basin under it.
5. Once defrosting is completed keep the scraper handy for future use;
6. Turn the thermostat knob to the required setting or replace the plug



in the power socket.



Warning!

Never use metal tools to scrape off the frost

Do not use a mechanical device or any artificial means to speed up the thawing process other than those recommended by the manufacturer.

A temperature rise of the frozen food packs, during defrosting, may shorten their safe storage life.

Switching off the appliance

To switch off the appliance, turn the temperature regulator to position "0" or disconnect from the electricity supply.

If the appliance is not going to be used for an extended period:

1. Remove all refrigerated and deep-frozen packages as well as ice trays.
2. Remove the mains plug or switch off.
3. Defrost freezer compartment and clean thoroughly (see section: "Cleaning and Care").
4. Leave the door open to avoid the build up of odours.

Cleaning and Care

For hygienic reasons the appliance interior, including interior accessories, should be cleaned regularly.



Warning!

Before carrying out any cleaning or maintenance, disconnect the appliance from the electricity supply.

- Never clean the appliance with a steam cleaner. Moisture could accumulate in electrical components, which could cause an electric shock! Hot vapours can lead to the damage of plastic parts.
- The appliance must be dry before it is placed back into service.

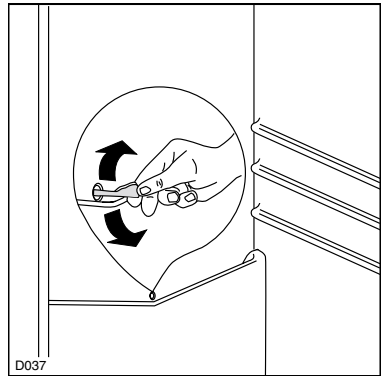


Warning!

- Ethereal oils and organic solvents can attack plastic parts, e.g.
 - lemon juice or the juice from orange peel,
 - butyric acid;
 - cleansers which contain acetic acid.

Do not allow such substances to come into contact with appliance parts.

- Many proprietary kitchen surface cleaners contain chemicals that can attack/damage the plastics used in this appliance. For this reason it is recommended that the outer casing of this appliance is only cleaned with warm water with a little washing-up liquid added.
1. Remove frozen food and the food from the refrigerator. Wrap frozen food in several layers of newspaper. Store it in a cool place, well covered.
 2. Switch the appliance off and remove the plug from the mains, or switch off.
 3. Clean the appliance and the interior accessories with lukewarm water and with a little bicarbonate of soda added (5ml to 0,5 litre of water).
 4. Dry the appliance thoroughly.
 5. Check the water drain hole on the rear wall of the fridge. Clear a blocked drain hole with the aid of the drain cleaning tool included with the appliance.
 6. When everything is dry place the appliance back into service.



Energy Saving Tips

- Do not install the appliance near radiators or other sources of continuous warmth. High ambient temperatures cause longer, more frequent operation of the compressor.
- Ensure sufficient air circulation at the appliance base and at the back wall of the appliance. Never cover air vent openings.
- Do not place warm foods into the appliance. Allow warm foods to cool first.
- Do not leave the door open any longer than necessary.
- Do not set temperature any colder than necessary.
- Put frozen food in the fridge to defrost. The cold in the frozen food will then be used to cool the fridge.

Something Not Working

If the appliance is not functioning correctly, please carry out the following checks before contacting your local AEG Service Force Centre.



Warning!

Repairs should only be carried out by qualified service engineers. Repairs carried out by inexperienced persons may cause injury or serious malfunctioning.

| Symptom | Possible Cause | Remedy |
|---|---|--|
| Appliance does not work. | Appliance is not switched on | Switch on the appliance. |
| | Mains plug is not plugged in or is loose. | Insert mains plug. |
| | Fuse has blown or is defective. | Check fuse, replace if necessary. |
| | Socket is defective. | Mains malfunctions are to be corrected by an electrician. |
| Appliance cools too much. | Temperature is set too cold. | Turn the temperature control knob to a warmer setting. |
| The food is too warm. | Temperature is not properly adjusted. | Please look in the "Initial Start Up" section. |
| | Door was open for an extended period. | Open the door only as long as necessary. |
| | A large quantity of warm food was placed in the appliance within the last 24 hours. | Turn the temperature control knob to a colder setting. |
| Interior lighting does not work. | The appliance is near a heat source. | Please look in the "Installation location" section. |
| | Light bulb is defective. | Please look in the "Changing the Light Bulb" section. |
| Heavy build up of frost, possibly also on the door seal. | Door seal is not air tight (possibly after reversing the door). | Carefully warm the leaking sections of the door seal with a hair dryer (not hotter than approx. 50 °C). At the same time shape the warmed door seal by hand until it sits correctly. |
| The compressor does not start immediately after changing the temperature setting. | This is normal, no error has occurred. | The compressor starts after a period of time. |
| Water on the floor or on storage shelves. | Water drain hole is blocked. | See the "Cleaning and Care" section. |

If, after carrying out the necessary checks there is still a fault with your appliance please contact your local AEG Service Force Centre.

In guarantee customers should ensure that the suggested checks have been made as the engineer will make a charge if the fault is not a mechanical or electrical breakdown.

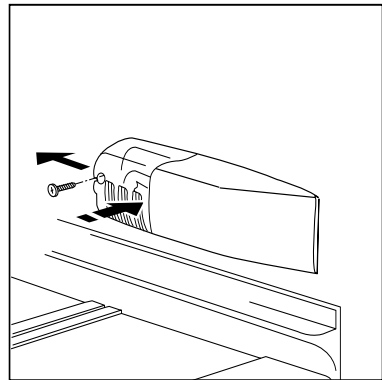
Please note that proof of purchase is required for any in-guarantee service calls.

Changing the light bulb



Warning! There is a risk of electric shocks! Before changing the light bulb, switch off the appliance and unplug it. Light bulb data: 220-240 V, max. 25 W

1. To switch off the appliance, turn the temperature control knob to position "0".
2. Unplug the mains plug.
3. To change the light bulb, remove the screw from the light bulb cover.
4. Unhook the light bulb cover as shown.
5. Change the defective light bulb.
6. Refit the light bulb cover and the screw.
7. Switch the appliance back on.



Service and Spare Parts

In the event of your appliance requiring service, or if you wish to purchase spare parts, please contact your local Service Force Centre by telephoning:

0870 5 929929

Your telephone call will be automatically routed to the Service Force Centre covering your post code area.

For address of your local Service Force Centre and further information about Service Force, please visit the website at www.serviceforce.co.uk.

Before calling out an engineer, please ensure you have read details under the heading "Something Not Working".

When you contact the Service Force Centre you will need to give following details:

1. Your name, address and post code
2. Your telephone number
3. Clear and concise details of the fault
4. The model and serial number of the appliance. (found on the rating plate).
5. The purchase date

Please note that a valid purchase receipt or guarantee documentation is required for in-guarantee service calls.

Customer Care Department

For general enquiries concerning your AEG appliance or for further information on AEG products, please contact our Customer Care Department by letter or telephone at the address below or visit our website at www.aeg.co.uk.

Customer Care Department

AEG Domestic Appliances

55-77 High Street,

Slough,

Berkshire

SL1 1DZ

Tel: 08705 350 350*

*calls to this number may be recorded for training purposes

Guarantee Conditions

Guarantee Conditions

AEG offer the following guarantee to the first purchaser of this appliance.

1. The guarantee is valid for 12 months commencing when the appliance is handed over to the first retail purchaser, which must be verified by purchase invoice or similar documentation.

The guarantee does not cover commercial use.

2. The guarantee covers all parts or components which fail due to faulty workmanship or faulty materials. The guarantee does not cover appliances where defects or poor performance are due to misuse, accidental damage, neglect, faulty installation, unauthorised modification or attempted repair, commercial use or failure to observe requirements and recommendations set out in the instruction book.

This guarantee does not cover such parts as light bulbs, removable glassware, or plastic.

3. Should guarantee repairs be necessary the purchaser must inform the nearest customer service office (manufacturer's service or authorised agent). AEG reserves the right to stipulate the place of the repair (i.e. the customer's home, place of installation or AEG workshop).
4. The guarantee or free replacement includes both labour and materials.
5. Repairs carried out under guarantee do not extend the guarantee period for the appliance. Parts removed during guarantee repairs become the property of AEG.
6. The purchaser's statutory rights are not affected by this guarantee.

European Guarantee

If you should move to another country within Europe then your guarantee moves with you to your new home subject to the following qualifications:

- The guarantee starts from the date you first purchased your product.
- The guarantee is for the same period and to the same extent for labour and parts as exist in the new country of use for this brand or range of products.
- This guarantee relates to you and cannot be transferred to another user.
- Your new home is within the European Community (EC) or European Free Trade Area.
- The product is installed and used in accordance with our instructions and is only used domestically, i.e. a normal household.
- The product is installed taking into account regulations in your new country.

Before you move please contact your nearest Customer Care Centre, listed below, to give them details of your new home. They will then ensure that the local Service Organisation is aware of your move and able to look after you and your appliances.

| | | |
|---------|-----------|----------------------|
| France | Senlis | +33 (0)3 44 62 29 29 |
| Germany | Nürnberg | +49 (0) 800 234 7378 |
| Italy | Pordenone | +39 (0) 800 117 511 |
| Sweden | Stockholm | +46 (0) 8 672 53 60 |
| UK | Slough | +44 (0) 1753 219899 |

Installation

Electrical Connection



Any electrical work required to install this appliance should be carried out by a qualified electrician or competent person.

WARNING – THIS APPLIANCE MUST BE EARTHED

The manufacturer declines any liability should these safety measures not be observed.

Before switching on, make sure the electricity supply voltage is the same as that indicated on the appliance rating plate. The rating plate is inside, on the left.

The appliance is supplied with a 13 amp plug fitted. In the event of having to change the fuse in the plug supplied, a 13 amp ASTA approved (BS 1362) fuse must be used.

Important!

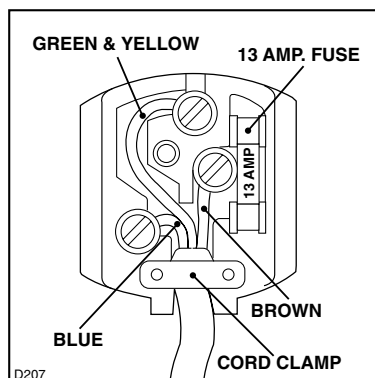
The wires in the mains lead are coloured in accordance with the following code:

| | |
|------------------|---------|
| Green and Yellow | Earth |
| Blue | Neutral |
| Brown | Live |

As the colours of the wires in the mains lead of this appliance may not correspond with the coloured markings identifying the terminals in your plug, proceed as follows:

1. The wire coloured green and yellow must be connected to the terminal marked with the letter "E" or by the earth symbol or coloured green and yellow.
2. The wire coloured blue must be connected to the terminal marked "N" or coloured black.
3. The wire coloured brown must be connected to the terminal marked "L" or coloured red.
4. Upon completion there must be no cut, or stray strands of wire present and the cord clamp must be secure over the outer sheath.

Warning! A cut-off plug inserted into a 13 amp socket is a serious safety (shock) hazard. Ensure that the cut-off plug is disposed of safely.



Positioning

This appliance should only be installed at a location where the ambient temperature corresponds to the climate classification indicated on the rating plate, which is located on the inside left of the appliance.

The following table shows which ambient temperature is correct for each climate classification.

| Climate classification | for an ambient temperature of |
|------------------------|-------------------------------|
| SN | +10 to +32 °C |
| N | +16 to +32 °C |

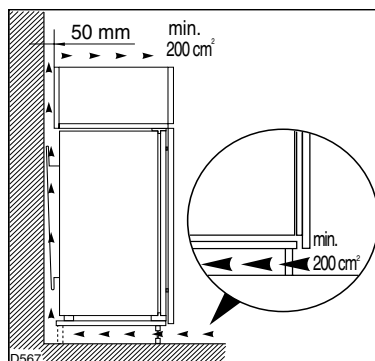
The appliance should be located in a dry atmosphere, out of direct sunlight and away from continuous heat and extreme temperature, e.g. not next to a boiler or radiator, or in a very cold room e.g. an outhouse. If these temperatures are exceeded i.e. warmer or colder, then the appliance may not operate correctly.

For building-in and door reversal instructions please refer to the relevant instructions on the following pages.

Your appliance needs air

For safety reasons, minimum ventilation must be as shown Fig.

Attention: keep ventilation openings clear of obstruction;



Housing Dimensions

| | |
|--------|---------|
| Height | 1580 mm |
| Depth | 550 mm |
| Width | 560 mm |

Regulations, Standards, Guidelines

This appliance was designed for household use and was manufactured in accordance with the appropriate standards. The necessary measures in accordance with appliance safety legislation regulations (GSG), accident prevention regulations for refrigeration appliances (VBG 20) and the regulations of the German Society of Electrical Engineers (VDE) were observed in the manufacture of this appliance.

The refrigerant circuit has been checked for leaks.

- CE** This appliance is in accordance with the following EU guidelines:
- 73/23/EEG dated 19 February 1973 - low voltage guidelines.
 - 89/336/EEG dated 3 May 1989
(including guideline change notice 92/31/EEG) - EMV guideline

 *From the Electrolux Group. The world's No. 1 choice.*

The Electrolux Group is the world's largest producer of powered appliances for kitchen, cleaning and outdoor use. More than 55 million Electrolux Group products (such as refrigerators, cookers, washing machines, vacuum cleaners, chain saws and lawn mowers) are sold each year to a value of approx. USD 14 billion in more than 150 countries around the world.

AEG Hausgeräte GmbH
Postfach 1036
D-90327 Nürnberg
<http://www.aeg.hausgeraete.de>

2222 164-53 01/04

Free Manuals Download Website

<http://myh66.com>

<http://usermanuals.us>

<http://www.somanuals.com>

<http://www.4manuals.cc>

<http://www.manual-lib.com>

<http://www.404manual.com>

<http://www.luxmanual.com>

<http://aubethermostatmanual.com>

Golf course search by state

<http://golfingnear.com>

Email search by domain

<http://emailbydomain.com>

Auto manuals search

<http://auto.somanuals.com>

TV manuals search

<http://tv.somanuals.com>