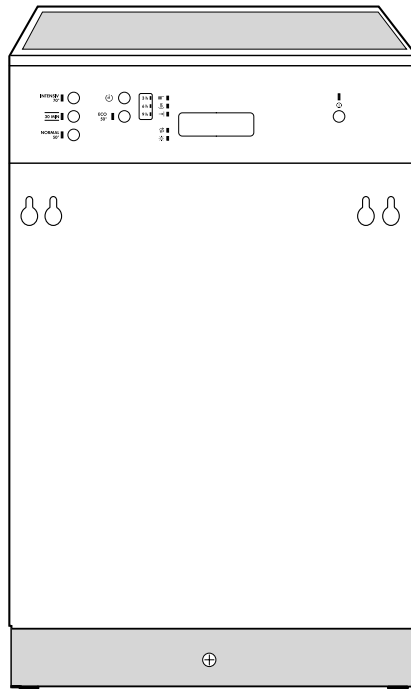


AEG

FAVORIT 64450 I

Geschirrspülautomat
Dishwasher



Gebrauchsanweisung
Operating instructions

Dear customer!

Please read these user instructions carefully.

Above all please observe the safety instructions on the first few pages of these user instructions! Please keep these user instructions for later reference. Pass them on to any subsequent owner of the appliance.



The warning triangle and/or specific words (Warning!, Caution!, Important!) are used to highlight instructions that are important for your safety or for the function of the appliance. It is imperative that these instructions are observed.



Next to this symbol you receive additional information and practical tips on using the appliance.



Tips and instructions for the economical and environmentally conscious use of the appliance are marked with a clover leaf.

In the event of a malfunction, these operating instructions contain information on how to rectify faults yourself, see "What to do, if..." section.

If these instructions are insufficient, please contact your nearest customer service centre.

In the case of technical problems, our customer service organisation is available to provide you with assistance at any time.

Contents

Safety instructions	42
Disposing of packaging and old machine	44
Disposing of the packaging	44
Disposing of your old machine	44
Economical and ecological dishwashing	45
Description of the appliance	46
The inside of the appliance	46
Control panel	47
Before using your dishwasher for the first time	48
Setting the water hardness range	48
Filling with special salt	50
The rinse aid	51
Loading cutlery and dishes	53
The lower basket	54
Cutlery basket	54
The upper basket	55
Adjusting the height of the upper basket	56
Use of detergent	57
Compact detergents with enzymes	57
Washing programmes	58
Operating instructions	60
Maintenance and cleaning	63
Internal and external cleaning	63
Cleaning the filters	63
What do do, if...	65
Customer service	67
Declaration of guarantee terms	68
Technical specifications	70
Hints for test centres	71
Connection instructions	72
Water supply connections	72
Water outlet connection	73
Extension hoses	73
Protection against flooding	74
Electrical connection	74



Safety instructions

The safety of AEG electrical appliances conforms to accepted rules of technology and the Appliance Safety Act. We as manufacturers, however, see ourselves as being obliged to familiarise you with the following safety instructions.

Using your dishwasher for its intended purpose

- Only use your dishwasher for machine washing of household crockery. If your machine is misused or used for any purposes other than that for which it is intended, the manufacturer cannot be held liable for any damage caused.
- For safety reasons, you should not convert or modify your dishwasher in any way.

Before using your dishwasher for the first time

- Check your dishwasher for any transport damage. Never connect a damaged machine. If your dishwasher is damaged, you should contact your supplier.
- Your dishwasher must be correctly installed and connected. Please read the section on "Installation" to make sure you know all about this.
- Before using your dishwasher for the first time, do not forget that the nominal voltage and current type indicated on the rating plate of your machine must be the same as the nominal voltage and current type at the installation site. The necessary electrical fusing is also given on the rating plate.

Child safety

- Packaging parts (e.g. foils, styrene foam) may be dangerous for children, who could even be suffocated! You should therefore keep all packaging well away from children.
- Children may not recognise the dangers of improper use of electrical appliances. You should therefore ensure proper supervision during operation and not allow your children to play with your dishwasher.
- Detergents may have a caustic effect on eyes, mouth and throat and may even cause suffocation! Keep all detergents in a safe place out of children's reach.
- The water in your dishwasher should not be used for drinking. Detergent residues may still be present in your machine. Make sure you do not splash these caustic residues onto your skin or suffocate yourself! Keep children well away from your dishwasher when its door is open.

Your dishwasher in day-to-day use

- Never operate your dishwasher if the electrical supply lead, supply or drainhose, control panel, worktop or plinth are damaged.
- If there is a fault, first turn the water tap off. Then switch off your machine and pull the plug out of the socket. If there is a fixed connection, switch off or unscrew the fuse(s).
- Never pull the plug out of the socket by the cable - always hold the plug.
- Dishwasher repairs should only be performed by trained personnel. Improper repairs may seriously endanger the user. If your dishwasher needs to be repaired, you should contact our service centre or your retailer.
- Never place any solvents in your dishwasher or you may cause an explosion!
- Do not rest or sit on the open door or the machine could tilt.
- Before using special dishwasher salt, detergent or rinse-aid, make sure that the manufacturer of these products expressly specifies their use in domestic dishwashers.
- Always turn off the water tap when your dishwasher is left unattended for any length of time, e.g. when you are away on holiday.
- Only transport the dishwasher in an upright position. Tipping it upside down during transport could cause salty water to leak into the internal compartment and lead to the formation of rust.

Disposing of packaging and old machine

Disposing of the packaging

Our dishwashers require effective protective packaging in transit, though we always confine ourselves to what is absolutely necessary.



Warning! Packaging parts (e.g. foils, styrene foam) may be dangerous for children, who could even be suffocated! You should therefore keep all packaging well away from children.

All packaging materials used are environmentally compatible and reusable. The cardboard parts are produced from recycled paper, and the wood is untreated. The plastics are marked as follows:

- >PE< for polyethylene, e.g. packaging foils.
- >PS< for polystyrene, e.g. padding (essentially CFC-Free).
- >POM< for polyoxymethylene, e.g. plastic clamps.

Give the packaging for reuse to your local recycling centre. Your municipal or local authority will give you its address.

Disposing of your old machine

When your machine finally reaches the end of its life and you withdraw it from service, you should render it unserviceable before having it disposed of.



Warning! Children at play could lock themselves in your machine (and suffocate) or otherwise endanger their lives. Therefore pull out the main plug and detach and discard the electrical supply lead. Disable the door lock so that the door no longer closes.

Marking of plastic parts for graded recycling: all plastic parts in your machine are marked with internationally standardised abbreviations (e.g. <PS> for polystyrene). When your machine is disposed of, this enables plastic waste to be sorted into individual types for environmentally conscious recycling.

Take your decommissioned machine to your local recycling centre or dealer, who will take it back from you for a small handling charge.

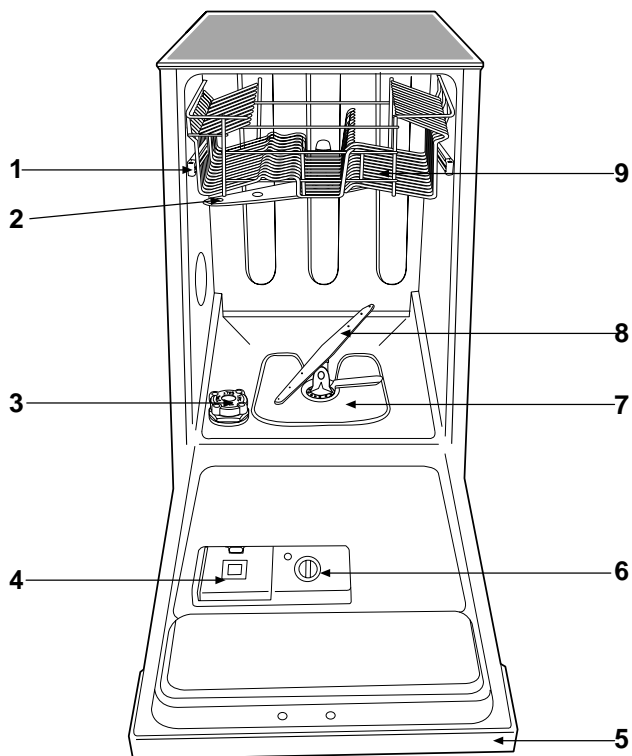


Economical and ecological dishwashing

- Only connect the dishwasher to the hot water supply if your hot water is not electrically heated.
- Ensure that the water softener is correctly adjusted.
- Do not pre-rinse under running water.
- Select the wash programme to suit the nature and degree of the soiling on the dishes.
- Do not use more detergent, special salt or rinse aid than is recommended in these operating instructions and by the manufacturer of the respective product.

Description of the appliance

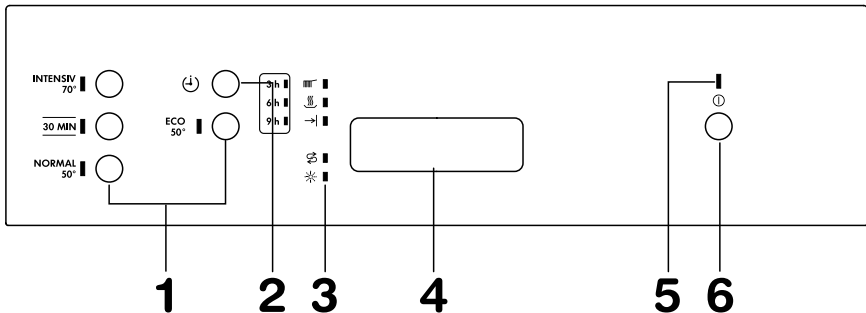
The inside of the appliance



IN97

1. Upper basket stop
2. Upper spray arm
3. Salt container
4. Detergent dispenser
5. Control panel
6. Rinse aid dispenser
7. Filters
8. Lower spray arm
9. Upper basket

Control panel



1. Programme selection push buttons

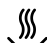
2. Delay start push button

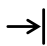
This option allows the start of the programme to be delayed by 3, 6 or 9 hours.

3. Indicator lights


Phase indicator lights


 **washing:** illuminates when the washing phase is running

 **drying:** illuminates when the drying phase is running

 **end of programme:** illuminates when the washing programme has ended

Salt and rinse aid indicator lights

 **salt:** illuminates when the salt has run out and the salt container requires refilling.

 **rinse aid:** illuminates when the rinse aid has run out and the rinse aid container requires refilling.

4. Door handle

5. On/Off indicator light

6. On/Off push button

Before using your dishwasher for the first time

1. Ensure that the electrical and water connections comply with the installation instructions.
2. Remove all packaging from inside the appliance.
3. Set the water softener.
4. Pour 1 litre of water inside the salt container and then fill with salt.
5. Fill the rinse-aid dispenser.

Setting the water hardness range

The dishwasher is equipped with a water softener designed to remove minerals and salts from the water supply, which would have a detrimental or adverse effect on the operation of the appliance.

The higher the content of these salts, the harder your water is.

Water hardness is measured in equivalent scales, German, French and PPM degrees.

The softener should be adjusted according to the hardness of the water in your area.

To ensure optimum regeneration of the water softener:

- the water softener must be adjusted to the local water hardness;
- the dishwasher salt container must always be filled with special salt.

Your local Water Authority can advise you on the hardness of the water in your area.

The dishwasher is factory set at level 3.

If this level is not suitable for your area the softener should be adjusted.

Level	Water hardness			Use of salt
	°dH (german degrees)	°TH (french degrees)	PPM (parts per million)	
1	< 4	< 8	< 80	NO
2	4 - 18	8 - 30	81 - 300	YES
3	19 - 29	31 - 50	301 - 500	YES
4	30 - 40	51 - 70	501 - 700	YES
5	41 - 50	71 - 90	701 - 900	YES



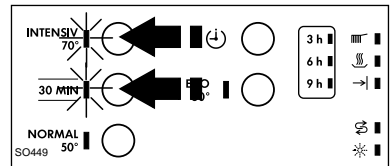
If your water is level 1 it is already soft and therefore there is no need to use salt.

With the setting of the water softener at level 1 the salt indicator light on the control panel will always remain off.

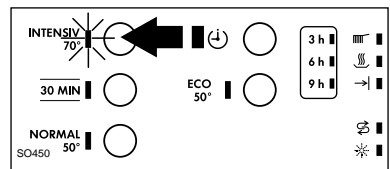
Use salt from level 2 upwards.

To select a different level be sure that the dishwasher is off and then proceed as follows:

1. Press **INTENSIV 70°** and **30 MIN** programme push buttons simultaneously.
2. While keeping the programme push buttons **INTENSIV 70°** and **30 MIN** pressed switch on the dishwasher by pressing the **On/Off** push button. The **On/Off** indicator light comes on. At the same time, also the indicator lights of the **INTENSIV 70°** and **30 MIN** push buttons start flashing.



Press the **INTENSIV 70°** push button, the indicator light of the **30 MIN** push button turns off, while the indicator light of the **INTENSIV 70°** push button remains fixed for about 5 seconds, after this it starts flashing indicating the current level of the water softener.



The current level is indicated by the number of flashes made by the **INTENSIV 70°** indicator light, that alternates 5 seconds off with a number of flashes, this for about 60 seconds.

Example:

- 1 flash = level 1
- 2 flashes = level 2
- 3 flashes = level 3
- 4 flashes = level 4
- 5 flashes = level 5

3. To change the level, press the **INTENSIV 70°** programme push button. Each time the push button is pressed the level changes.

Examples:

if the current level is 3, by pressing the **INTENSIV 70°** programme push button once, level 4 is selected

if the current level is 5, by pressing the **INTENSIV 70°** programme push button once, level 1 is selected

The **INTENSIV 70°** indicator light remains off for about 5 seconds after which it starts flashing indicating the new level selected.

4. To memorise the new level, switch off the dishwasher by pressing the **On/Off** push button.

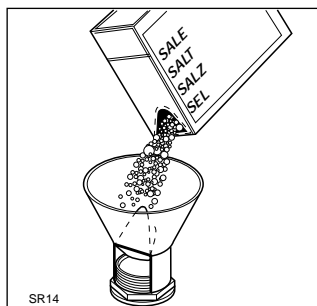
Filling with special salt

Caution! The packaging of dishwasher salt and detergents are often very similar. The accidental filling of the salt compartment with detergent would ruin the water softener. Each time you add salt, make sure the carton you have in your hand really is salt.

i Only use salt specifically designed for use in dishwashers. All other types of salt not specifically designed for use in a dishwasher, especially table salt, will damage the water softener. Only fill with salt just before starting one of the complete washing programmes. This will prevent any grains of salt or salty water, which may have been spilled, remaining on the bottom of the machine for any period of time, which may cause corrosion.

To fill:

1. To fill with salt, unscrew the cap of the salt container.
2. Pour 1 litre of water inside the container (this is necessary only before filling with salt for the first time).
3. Using the funnel provided, pour in the salt until the container is full. Do not worry if water overflows from the unit when filling with salt, this is quite normal.
4. Replace the cap making sure that there is no trace of salt on the screw thread or on the gasket.
5. Screw on the cap tightly.



When this has been done, all that is required is to periodically top up the container with salt. You are reminded of this by the salt container indicator light on the control panel which comes on when the salt has run out.

The salt indicator light on the control panel can remain illuminated for 2-6 hours after the salt has been replenished, assuming the dishwasher remains switched on. If you are using salts that take longer to dissolve then this can take longer. The function of the machine is not affected.

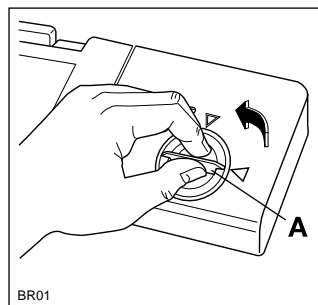
i From level 2 upwards, if salt refilling is necessary, the salt indicator light will illuminate only in setting mode and at the end of the washing programme. During the run of the programme it will remain off.

Rinse aid

Rinse aid is automatically added during the last rinse, ensuring thorough rinsing, and spot and streak free drying. The dispenser, which is positioned inside the door, holds about 110 ml of rinse aid, which is sufficient for 16 - 40 dishwashing programmes, depending upon the dosage setting.

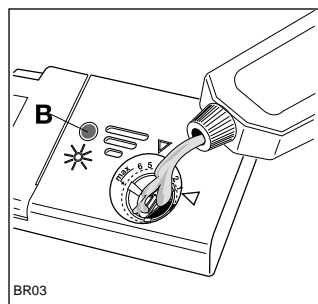
Filling with rinse aid

1. Open the container by turning the lid (A) anticlockwise.
2. Add the rinse aid until the container is completely full.
The indicator (B) will be completely dark.
3. Top up the rinse aid when the rinse aid indicator light on the control panel illuminates.



Ensure that the lid is closed after every refill.

Do not put liquid detergent in the rinse aid compartment. Clean up any rinse aid spilt during filling with an absorbent cloth to avoid excess foaming during the next wash.



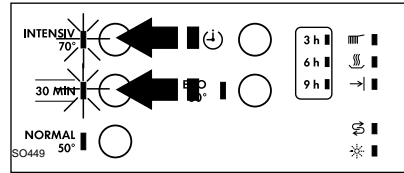
If rinse aid refilling is necessary, the rinse aid indicator light will illuminate only in setting mode and at the end of the washing programme. During the run of the programme it will remain off.

It is possible to deactivate the rinse aid indicator light (see the following instructions), By default the rinse aid indicator light is active.

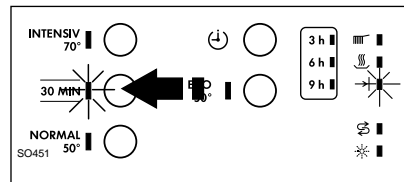
To deactivate the rinse aid indicator light be sure that the dishwasher is off and then proceed as follows:

1. Press **INTENSIV 70°** and **30 MIN** programme push buttons simultaneously.

2. While keeping the programme push buttons **INTENSIV 70°** and **30 MIN** pressed switch on the dishwasher by pressing the On/Off push button. The On/Off indicator light comes on. At the same time, the indicator lights of the **INTENSIV 70°** and **30 MIN** push buttons start flashing.



3. Press the **30 MIN** push button, the correspondent indicator light keeps flashing while the indicator light of the **INTENSIV 70°** push button turns off. At the same time the indicator light "end of programme" starts to flash.



4. Press the **30 MIN** push button again, the "end of programme" indicator light turns off, this means that the rinse aid indicator light has been deactivated.

5. To memorise the operation, switch off the dishwasher by pressing the On/Off push button.

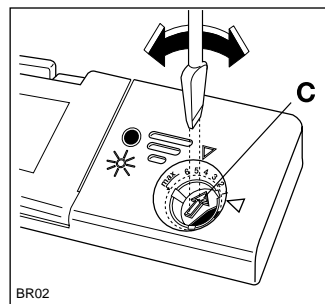
To reactivate the rinse aid indicator light follow the same process until the "end of programme" indicator light starts to flash.

Adjusting the dose

According to the finish and drying results obtained, adjust the dose of rinse aid by means of the 6 position selector (C) (position 1 minimum dosage, position 6 maximum dosage).

Increase the dose if there are drops of water or lime spots on the dishes after washing.

Reduce it if there are sticky whitish streaks on the dishes.



Loading cutlery and dishes



Sponges, household cloths and any object that can absorb water may not be washed in the dishwasher.

For washing in the dishwasher the following cutlery/dishes

are not suitable:

- Cutlery with wooden, horn, china or mother of pearl handles.
- Plastic items that are not heat resistant.
- Older cutlery with cement that is not temperature resistant.
- Bonded cutlery items or dishes.
- Pewter or copper items.
- Lead crystal glass.
- Steel items subject to rusting.
- Wooden platters.
- Items made from synthetic fibres.

are of limited suitability:

- Only wash stoneware in the dishwasher if it is specifically marked as being dishwasher-safe by the manufacturer.
- Glazed patterns may fade if machine washed frequently.
- Silver and aluminium parts have a tendency to discolour during washing. Left-overs, e.g. egg white, egg yolk and mustard often cause discolouring and staining on silver. Therefore always clean left-overs from silver immediately, if it is not to be washed straight after use.
- Some types of glass can become dull after a large number of washes.

Attention!

When buying new dishes, ensure that they are dishwasher proof.

Before placing dishes in the machine, remove any scraps of food, to avoid clogging the filters and consequently reducing the performance.

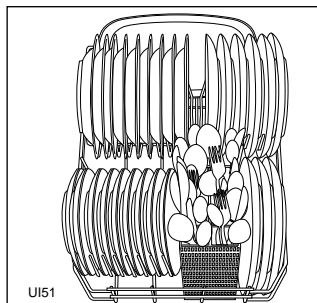
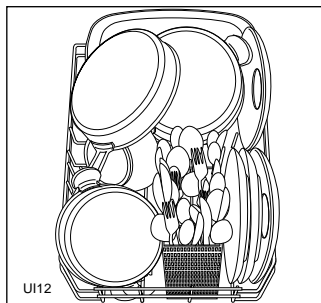


Do not load very small items which can fall through the baskets.

Open the door and slide out the baskets.

The lower basket

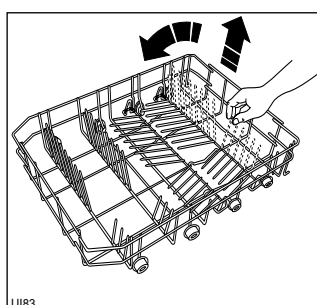
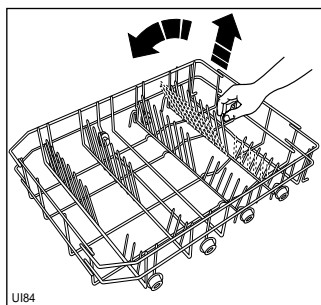
The lower basket is designed to take saucepans, lids, plates, salad bowls, cutlery etc. Serving dishes and large lids should be arranged around the edge of the basket, ensuring that the upper spray arm can turn freely.



The two rear rows of prongs on the lower basket can be easily lowered to allow you to load pots, pans and bowls.

To lower the prongs:

- Slightly pull them upward and let them drop down (see picture).
- To bring them back to the standing position, just pull them up again.



Cutlery basket



Long bladed knives stored in an upright position are a potential hazard.

Long and/or sharp items of cutlery such as carving knives must be positioned horizontally in the upper basket.

Take care when loading or unloading sharp items such as knives.

Cutlery should be placed in the removable cutlery basket with the handles facing downwards. If the handles protrude from the bottom of the basket, obstructing the lower spray arm, load the cutlery with the handles facing downwards.

Mix spoons with other cutlery to prevent them from sticking together.

Cutlery should be placed in the removable cutlery basket with the handles facing downwards. If the handles protrude from the bottom of the basket, obstructing the lower spray arm, load the cutlery with the handles facing downwards.

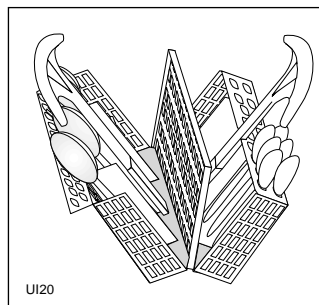
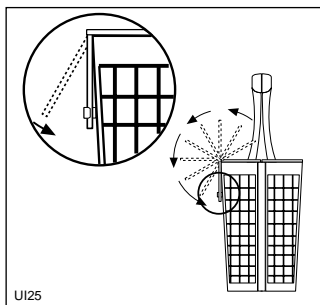
Mix spoons with other cutlery to prevent the from sticking together.

Silver cutlery tends to go black if mixed with steel cutlery. Place it in the cutlery basket separate from the others.

To unload your dishwasher more easily, you can take the cutlery basket out of the lower basket and unfold it. This makes it easier to remove small pieces of cutlery.

Important note! To prevent the full cutlery basket from inadvertently unfolding when being taken out, place your hand right round the two-piece handle and hold it firmly.

1. Place the cutlery basket on a firm support (table, worktop) and unfold both handle parts.
2. After unfolding, fold back both handle parts.



The upper basket

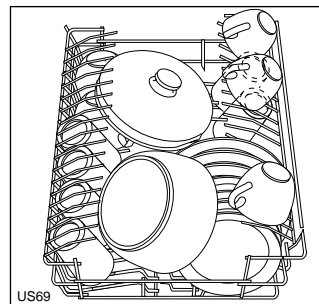
The upper basket is designed for plates (dessert plates, saucers, dinner plates up to 24 cm in diameter), salad bowls, cups and glasses.

Glasses with long stems can be placed upside-down in the cup-racks

The cup-rack on the left folds upwards to increase your loading flexibility.

Arrange items on and underneath the cup racks so that water can reach all surfaces.

Light items (plastic bowls etc.) should be loaded in the upper basket and arranged so they do not move.



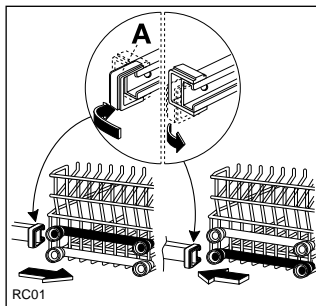
Before closing the door, ensure that the spray arms can rotate freely.

Adjusting the height of the upper basket

If washing very large plates (over 27 cm and up to 31 cm in diameter) you can load them in the lower basket after moving the upper basket to the higher position.

To move to the higher position proceed as follows:

1. Move the front runner stops (A) of the upper basket outward and slide the basket out.
2. Refit the basket in the higher position and replace the stops (A) in their original position.



When the top basket is in the higher position it will only take plates up to 20 cm in diameter and you will not be able to use the cup racks.



After loading your machine always close the door, as an open door can be a hazard.

Use of detergent

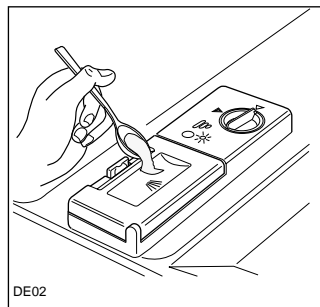
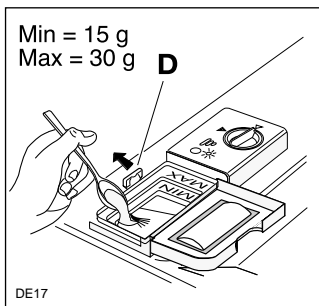


Attention!

Only use detergents specifically designed for use in dishwashers.

If using powder detergents proceed as follows:

1. Open the dispenser lid by pulling the catch (D).
2. Add the detergent according to the recommended quantity given in the "Washing programmes" chart. As all detergents are not the same, please pay attention also to the instructions from the manufacturer of your brand.
3. Always close the lid.
4. If the programme has a prewash add a little amount of detergent over the lid of the dispenser according to the recommended quantity given in the "Washing programmes" chart.



If using detergent in tablets proceed as follows:

1. For all programmes; place 1 tablet inside the detergent dispenser.
2. Always close the lid.
3. For all programmes with prewash; place a portion of a further tablet on the lid of the detergent dispenser.

At the end of any washing programme the lid is always open, ready for the next wash.



Remember that insufficient quantities of detergent will produce poor washing results whereas an excessive amount of detergent does not improve washing results and is also wasteful.

Using no more than correct amount of detergent also contributes to reducing pollution.

Compact detergents with enzymes

In these compact powders the environmentally unfriendly components have been replaced by natural enzymes and other more biodegradable substances.

The enzymes deploy their full dirt dissolving power at a temperature as low as 50°C.

By choosing the "50°C" programmes you can therefore achieve the same cleaning results that would otherwise be achievable only with 65°C programmes and conventional detergents.

Washing programmes

Programme	Type of soil and type of load	Required push buttons
Intensive 70°C	Heavy soil. Crockery, cutlery, pots and pans	On/Off + INTENSIV 70°
* 30 Minutes	Fresh soil. Crockery and cutlery	On/Off + 30 MIN
** Normal 50°C	Normal soil. Crockery and cutlery	On/Off + NORMAL 50°
*** Eco 50°C	Normal soil. Crockery and cutlery	On/Off + ECO 50°

- * Ideal for washing crockery and cutlery of breakfast and dinner (fresh soil) . Characterised by a duration of about 30 minutes and a washing temperature of 60°C. The time value is approximate and depends on the pressure and the temperature of the water and also by the variations of the power supply. This is the perfect daily programme, made to meet the needs of a family of 4 persons who only wish to load breakfast and dinner crockery and cutlery.
- ** In this programme the appliance is fitted with the special device **SENSORLOGIC**. This device allows the dishwasher to automatically individuate if the baskets are full loaded or not and consequently reduce the washing temperature and time duration of the programme. This allows to obtain a saving in energy and time.
- *** Testing programme for EN 50242 (see "Hints for Test Centres"). This programme, developed for the use of detergents with enzymes, allows to achieve, with reduced consumption of energy the same cleaning results that would otherwise be obtained only with the 65°C programmes and conventional detergents. To compensate the lower temperature, the duration of the programme has been prolonged.

Cycle description	Recommended quantity of detergent		Approximate values *		
	Wash	Prewash	Programme duration in minutes	Energy consumption in kWh	Water consumption in litres
Hot prewash Main wash up to 70°C 2 cold rinses 1 warm rinse Turbo drying	15 g	10 g	94 ÷ 104	1.89	18
Main wash up to 60°C 1 warm rinse	20 g	/	25 ÷ 35	0.79	9
Cold prewash Main wash up to 50°C 1 cold rinse 1 warm rinse Turbo drying	20 g	5 g	79 ÷ 89	0.99	14
Cold prewash Main wash up to 50°C 1 cold rinse 1 warm rinse Turbo drying	20 g	5 g	121 ÷ 131	0.80	14
Programme NORMAL 50°C with SENSORLOGIC			75 ÷ 85	0.91	14

* The times and consumption are intended as a guide and depend on the pressure and temperature of the water and also by the variations of the power supply.

Operating instructions

1. Check the filters

Ensure they are clean and properly positioned (see "Maintenance and cleaning").

2. Press the On/Off push button

The On/Off indicator light will come on.

3. Check that there is rinse aid and salt

The corresponding indicator lights will illuminate if refilling is necessary.

4. Load the dishes

Remove any scraps of food.

Pull the lower basket out and arrange the saucepans, plates and cutlery in it.

Pull the upper basket out and arrange the plates, saucers, glasses and cups etc. in it.

Slide the baskets back into the machine.

5. Ensure that the spray arms can rotate freely.

6. Add the detergent

Add the required amount of detergent into the dispenser according to the dosage instructions in the "Washing programmes" chart.

Close the detergent dispenser lid.

7. Close the dishwasher door

8a. Setting and starting the programme without delay start

Press the push button corresponding to the wanted programme: the indicator light corresponding to the programme illuminates and the phase indicator lights for that programme start flashing.

The start of the programme will occur after about 6 seconds from the last pressure of a programme push button, in this time it is possible to change programme simply pressing the push button of another programme.

Once the programme has started the phase indicator lights will turn off except for the phase under way.

It is possible to interrupt the programme:

- opening the door
- pressing the On/Off (in this case all the indicator lights turn off)

Close the door again or press the On/Off, the programme will start from the point in which it was interrupted.

8b. Setting and starting the programme with delay start

The setting of the delay start occurs before selecting the programme.

Press the delay start push button and selected the desired time (3, 6 or 9 hours) until the indicator light corresponding to the chosen hours flashes.

Press the push button corresponding to the wanted programme: the indicator light corresponding to the programme illuminates and the phase indicator lights for that programme start flashing.

The start of the countdown will occur after about 6 seconds from the last pressure of a programme push button.

The countdown will decrease with step of 3 hours and you are informed of this by the indicator lights of the hours.

During the countdown the only indicator lights illuminate are the programme light and the light of the number of hours to the start of the programme.

Once the delayed time has elapsed the programme will start automatically.

It is possible to stop a countdown in progress or before it starts, simply pressing the delay start push button until the indicator lights of the hours are off.

9. To cancel a programme in progress

A programme in progress can be cancelled at any time.

Press for about 3 seconds the push button of the running programme until all indicator lights are off.

Only the On/Off indicator light will remain on once the programme has been cancelled.

It is now possible to select a new washing programme.

10. At the end of the washing programme

The dishwasher will automatically stop and the phase indicator light end of programme will come on.

The indicator light of the programme just ended will remain on.

The dishwasher has finished the programme only when the phase indicator light end of programme is illuminated. If you do not wait for the end of the programme it will not be possible to start a new programme if first you do not cancel the previous.

(For the formalities how to cancel a programme see point 9)

If during the drying phase (drying indicator light illuminated) the dishwasher door is opened or the On/Off push button is pressed, the running programme is automatically cancelled.

In this case the machine returns to setting mode and it is possible to select a new washing programme without cancelling the previous.

Switch off the dishwasher by pressing the On/Off push button.

Open the door and wait a few minutes before removing the dishes; in this way they will be cooler.

Empty the lower basket first and then the upper one; this will avoid water dripping from the upper basket onto the dishes in the lower one.



Caution!

In general it is not advisable to open the door while the machine is working; if the door is opened however, a safety device ensures that the machine stops.



Caution!

**Opening the door could let very hot steam escape: you risk being scalded! Open the door with great care.
Do not open the door during the hot phase: this may cause hot water escape.**

Maintenance and cleaning

Internal and external cleaning



Do not under any circumstances use furniture care products or aggressive cleaners.

If necessary, clean the controls only with a soft cloth and pure warm water.

The spray arms do not need cleaning.

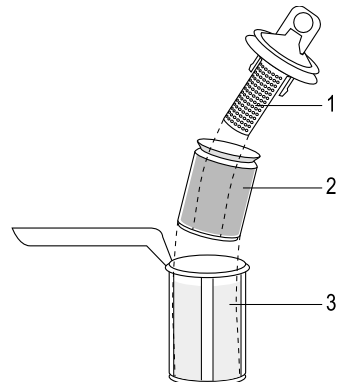
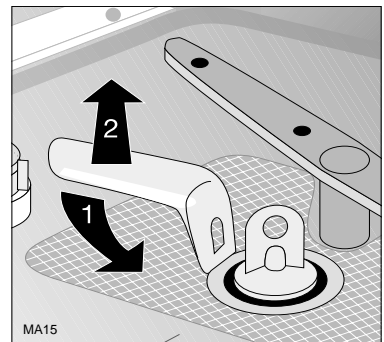
Occasionally check the internal containers, door seal and water inlet for soiling, clean if necessary.

We recommend every 3 months to run a 65°C wash programme without dishes using detergent.

Cleaning the filters

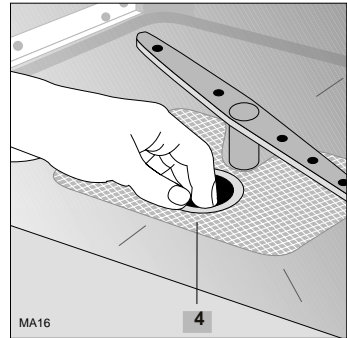
The filters in the base of the washing compartment are to large extent self-cleaning. Nevertheless the filters should be checked and cleaned from time to time. Dirty filters will degrade the washing result.

1. Open the door, remove the lower basket.
2. The dishwasher filter system comprises a coarse/fine filter, microfilter and a flat filter. Unlock the filter system using a handle on the microfilter, and remove.
3. Turn the handle about $\frac{1}{4}$ a turn anticlockwise and remove.
4. Take hold of the coarse/fine filter (1/2) by the handle with the hole and remove from the microfilter (3).
5. Clean all filters thoroughly under running water.



MA17

6. Remove the flat filter (4) from the base of the washing compartment and clean both faces thoroughly.
7. Put the flat filter back in the base of the washing compartment.
8. Place the coarse/fine filter in the microfilter and press together.
9. Put the filter combination in place and lock by turning the handle clockwise to the stop.
During this process ensure that the flat filter does not protrude above the base of the washing compartment.



Under no circumstances must the dishwasher be used without filters.

What to do, if...

Certain problems are due to lack of simple maintenance or oversights, which can be solved easily without calling out an engineer.

The dishwasher is fitted with a number of alarm systems which can help you to quickly determine the cause of any problems.

The dishwasher will not start or stops during operation. All push buttons are inoperative except for the On/Off push button. The indicator light of the programme under and one or more of the phase indicator lights (washing, drying, end of programme) are flashing.

Press the On/Off push button to switch off the dishwasher and carry out the following suggested corrective actions listed below.

Fault code	Possible cause	Remedy
....washing phase indicator light is flashing	The water tap is closed.	Open the water tap.
	The mains water supply has been cut off.	
	The inlet hose may be squashed or bent.	Reposition correctly the hose.
....drying phase indicator light is flashing	The drain hose may be squashed or bent. The drain hose extension is not correct.	Reposition correctly the drain hose. Follow the instructions for connecting to the waste.
	The sink may be blocked.	Clear any blockages.
....washing and drying phase indicator lights are flashing	Protection against flooding is active.	Close the water tap and contact the Service Force Centre.
....one or more phase indicator lights are flashing	General	Switch off the dishwasher. Switch it back on and start the programme. if the alarm reappears, call the Service Force Centre.

Once the checks have been carried out switch on the dishwasher and start a washing programme, if the fault code reappears in the digital display, contact your local Service Force Centre.

Malfunction	Possible cause	Remedy
...the programme does not start	The plug is not properly inserted in the power socket.	Insert the plug.
	There is no current at the socket.	
	The door is not properly closed.	Close the door.
...the machine is noisy	Dishes are rattling against each other. The spray arms are knocking against the dishes.	Load correctly crockery, cutlery, pots and pans. Refer to Loading cutlery and dishes.
...the door is difficult to close	The dishwasher is not level or not properly built-in.	Refer to Installation instructions.

...the wash results are not satisfactory

Visible lime deposits or white film on the dishes

- Check that the right level of the water softener is setted.
- Check that there is salt.

The dishes are not quite dry

- The rinse aid has run out or too little is being used.

The dishes are not clean

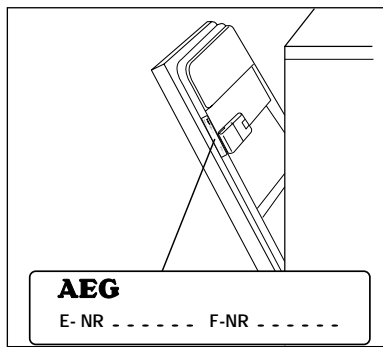
- The baskets are too full.
- The dishes have not been arranged properly.
- The spray arms do not rotate because incorrect loading of the baskets.
- The filters are clogged.
- The filters are not in the correct position.
- Not enough detergent has been used or it is unsuitable.
- The detergent is old or has gone hard.
- The salt container cap is not properly closed.
- The washing programme is too gentle.

Customer service

In the section "What to do, if...", we have listed the most important faults which you can rectify yourself. Should you still wish to call our Service Centre for any of the specified faults or because the appliance is being wrongly operated, the service engineer's visit cannot be made free of charge even during the guarantee period.

Should you find no reference to a fault in the operating instructions, you should call our Service Centre.

When making your call, quote the E-No. (product number) and F-No. (serial number) indicated on the rating plate. It is located on the right inside edge of the door.



To keep these numbers handy, we recommend you enter them here.

E-No

F-No

Your specifying these details enables the Service Centre to make precise identification of the spare part required so that the appliance can be repaired at the service engineer's first visit without your having to pay extra costs for repeated journeys by the service engineer.

Declaration of guarantee terms

Our appliances are produced with the greatest of care. However, a defect may still occur. Our consumer services department will repair this upon request, either during or after the guarantee period. The service life of the appliance will not, however, be reduced as a result.

This declaration of guarantee terms is based on European Union Directive 99/44/EC and the provisions of the Civil Code. The statutory rights that the consumer has under this legislation are not affected by this declaration of guarantee terms.

This declaration does not affect the vendor's statutory warranty to the end user. The appliance is guaranteed within the context of and in adherence with the following terms:

1. In accordance with provisions laid down in paragraphs 2 to 15, we will remedy free of charge any defect that occurs within 24 months from the date the appliance is delivered to the first end user.
These guarantee terms do not apply in the event of use for professional or equivalent purposes.
2. Performing the guarantee means that the appliance is returned to the condition it was in before the defect occurred. Defective parts are replaced or repaired. Parts replaced free of charge become our property.
3. So as to avoid more severe damage, the defect must be brought to our attention immediately.
4. Applying the guarantee is subject to the consumer providing proof of purchase showing the purchase and/or delivery date.
5. The guarantee will not apply if damage caused to delicate parts, such as glass (vitreous ceramic), synthetic materials and rubber, is the result of inappropriate use.
6. The guarantee cannot be called on for minor faults that do not affect the value or the overall reliability of the appliance.
7. The statutory warranty does not apply when defects are caused by:
 - a chemical or electrochemical reaction caused by water,
 - abnormal environmental conditions in general,
 - unsuitable operating conditions,
 - contact with harsh substances.
8. The guarantee does not apply to defects due to transport which have occurred outside of our responsibility. Nor will the guarantee cover those caused by inadequate installation or assembly, lack of maintenance or failure to respect the assembly instructions or directions for use.
9. Defects that result from repairs or measures carried out by people who are not qualified or expert or defects that result from the addition of non-original accessories or spare parts are not covered by the guarantee.
10. Appliances that are easy to transport may be delivered or sent to the consumer services department. Home repairs are only anticipated for bulky appliances or built-in appliances.
11. If the appliances are built-in, built-under, fixed or suspended in such a way that removing and replacing them in the place where they are fitted takes more than half an hour, the costs that result therefrom will be charged for. Connected damage caused by these removal and replacement operations will be the responsibility of the user.

12. If, during the guarantee period, repairing the same defect repeatedly is not conclusive, or if the repair costs are considered disproportionate, in agreement with the consumer, the defective appliance may be replaced with another appliance of the same value. In this event, we reserve the right to ask for a financial contribution calculated according to the length of time it has been used.
13. A repair under guarantee does not mean that the normal guarantee period will be extended nor that a new guarantee period begins.
14. We give a twelve month guarantee for repairs, limited to the same defect.
15. Except in the event where liability is legally imposed, this declaration of guarantee terms excludes any compensation for damage outside the appliance for which the consumer wishes to assert his rights. In the event of legally admitted liability, compensation will not exceed the purchase price paid for the appliance.

These guarantee terms are only valid for appliances purchased and used in Belgium. For exported appliances, the user must first make sure that they satisfy the technical conditions (e.g.: voltage, frequency, installation instructions, type of gas, etc.) for the country concerned and that they can withstand the local climatic and environmental conditions. For appliances purchased abroad, the user must first ensure that they meet the qualifications required in Belgium. Non-essential or requested adjustments are not covered by the guarantee and are not possible in all cases.

Our consumer services department is always at your disposal, even after the guarantee period has expired.

Address for our consumer services department:

ELECTROLUX HOME PRODUCTS BELGIUM
Bergensesteenweg, 719 - 1502 LEMBEEK
Tel. 02.3630444

Technical specifications

Dimensions	Width	44.6 cm
	Height	81.8 - 87.8 cm
	Max depth	57.5 cm
	Max depth with open door	111.4 cm
Electrical connection		230 V - 50 Hz
Motor rating during wash		200 W
Power of heating element		2100 W
Overall power		2300 W
Water supply pressure	Minimum	50 kPa (0.5 bar)
	Maximum	800 kPa (8 bar)
Capacity		9 place settings

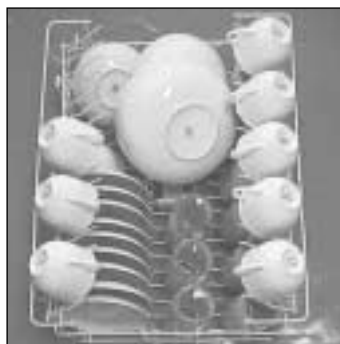


This appliance complies with the following E.E.C. Directives:
- 73/23/CEE of 19/02/73 (Low Voltage Directive) and subsequent modifications;
- 89/336/CEE of 03/05/89 (Electromagnetic Compatibility Directive) and subsequent modifications.

Hints for test centres

Before starting any test it is necessary to fill completely with salt the salt container and with rinse aid the rinse aid dispenser.

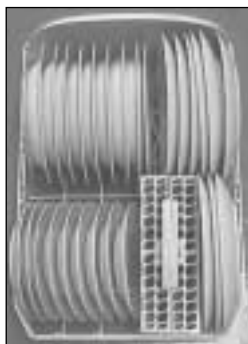
Test standard	EN 50242
Reference programme	- Eco 50°C
Load	9 standard place settings
Rinse aid selector	position 4
Detergent dosage	- 20 g in the dispenser - 5 g on the dispenser lid



Arrangement
upper basket



Arrangement
cutlery basket



Arrangement
lower basket

Connection instructions

Any electrical work required to install this appliance should be carried out by a qualified electrician or competent person.

Any plumbing work required to install this appliance should be carried out by a qualified plumber or competent person.

Remove all packaging before positioning the machine.

If possible, position the machine next to a water tap and a drain.

Water supply connections

- Your dishwasher can be connected to either a hot (max. 60°) or cold water supply.
- Never connect your dishwasher to open water appliances and continuous flow heaters!

Nevertheless we advise you a cold water supply.

A hot water supply is not always efficient with very soiled crockery as it shortens the washing programmes a lot.

The water pressure must be within the limits given in the technical specifications.

Your local Water Authority will advise you on the average mains pressure in your area.

Avoid bends or kinks in the hose which could prevent or slow down the water supply.

If the machine is connected to new pipes or pipes which have not been used for a long time, you should run the water for a few minutes before connecting the inlet hose. This will prevent deposits of sand or rust clogging the inlet hose filter.

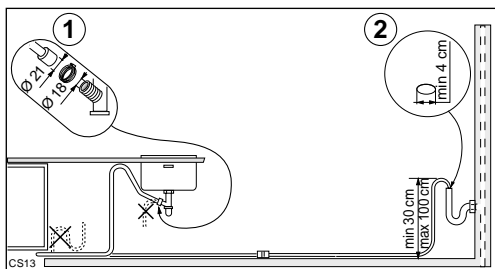
Do not use, for connection, old hoses which have been used in another appliance.

Your dishwasher has been built in accordance with the valid regulations governing water-consuming appliances and is equipped with safety devices which prevent used water from flowing back into the drinking water mains.

Water outlet connection

The end of the drain hose can be connected as follows:

1. To the sink outlet siphon, securing it if necessary with a clip.
2. To a wall outlet provided with vent-hole, minimum internal diameter 4 cm.



The waste connection must be at a height of between 30 cm (minimum) and 100 cm (maximum) from the floor.

It makes no difference which way the drain hose faces, either to the right or left of the dishwasher.

Avoid bending or kinking the hose as this could prevent or slow down the discharge of water.

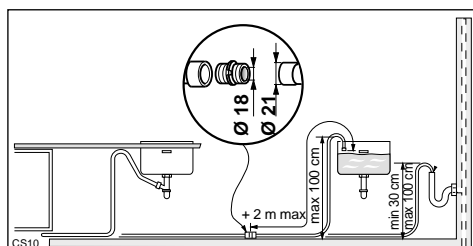
Extension hoses

The necessary extension hoses can be obtained from specialist shops or from our technical assistance centres.

The extension hose must be no longer than 2 metres and its internal diameter must be no smaller than the diameter of the hose provided.

Likewise the internal diameter of the couplings used for connection to the waste outlet must be no smaller than the diameter of the drain hose.

Arrange the extension hose horizontally along the floor and allow it to rise only where it is to be connected to the drain.



Protection against flooding

The machine is fitted with a device in the bottom of the machine to protect against flooding.

The device will operate if there are any water leaks in the machine, however it will only operate if the machine is on.

In case of malfunction, the **"washing"** and **"drying"** phase indicator lights start flashing (see "What to do, if.....").

In this case turn off the water tap and call the Service Centre.

Electrical connection

Before plugging the appliance into the wall socket, make sure that:

1. The mains voltage corresponds to the voltage given in the technical specifications.
2. The meter, fuses, mains power supply and wall socket can all take the maximum load required.

Make sure that the socket and plug are compatible without having to use any type of adaptor. If necessary, have the domestic wiring system socket replaced.



Safety standards require the appliance to be earthed.

The Manufacturer accepts no liability for failure to observe the above safety precautions.

 **From the Electrolux Group. The world's No.1 choice.**

The Electrolux Group is the world's largest producer of powered appliances for kitchen, cleaning and outdoor use. More than 55 million Electrolux Group products (such as refrigerators, cookers, vacuum cleaners, chain saws and lawn mowers) are sold each year to a value of approx. 14 billion USD in more than 150 countries around the world.

AEG Hausgeräte GmbH
Postfach 1036
D-90327 Nürnberg

<http://www.aeg.hausgeraete.de>

© Copyright by AEG

Änderungen vorbehalten
Subject to change without notice

D

GB

152975 57/0

Download from [Www.Somanuals.com](http://www.Somanuals.com). All Manuals Search And Download.

Free Manuals Download Website

<http://myh66.com>

<http://usermanuals.us>

<http://www.somanuals.com>

<http://www.4manuals.cc>

<http://www.manual-lib.com>

<http://www.404manual.com>

<http://www.luxmanual.com>

<http://aubethermostatmanual.com>

Golf course search by state

<http://golfingnear.com>

Email search by domain

<http://emailbydomain.com>

Auto manuals search

<http://auto.somanuals.com>

TV manuals search

<http://tv.somanuals.com>