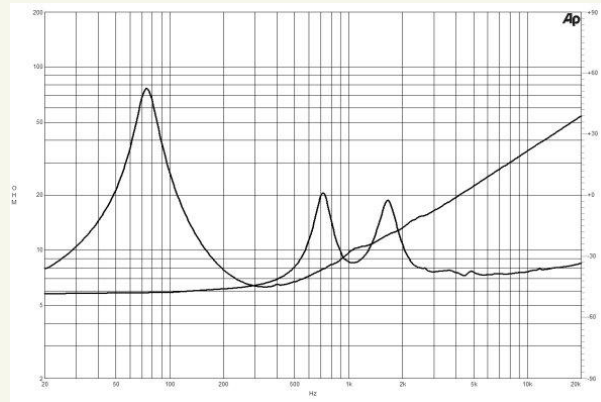
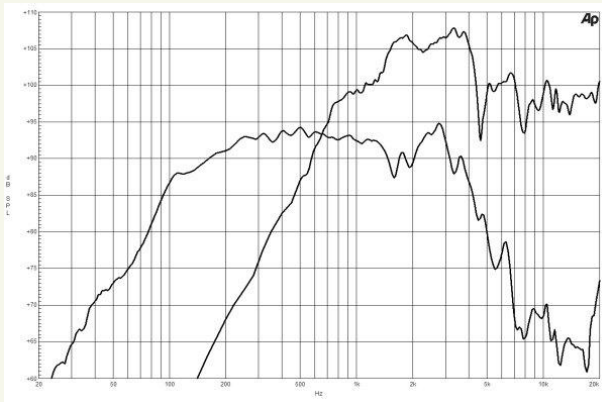




# 8CXT Coaxials

400 W continuous program power capacity  
100° nominal coverage  
75 – 20000 Hz response  
94 dB sensitivity



Horns  
HF Drivers  
Coaxials  
LF Nd Drivers

## Specifications

Nominal Diameter	210 mm (8 in)
Nominal Impedance	8 ohm
Minimum Impedance	6.3 ohm (LF)
	7.7 ohm (HF)
Frequency Range	75-20000 Hz
Dispersion Angle (1)	100°
LF Unit	
Sensitivity (1W/1m) (2)	94 dB
Nominal Power Handling (3)	200 W
Continuous Power Handling (4)	400 W
Voice Coil Diameter	52 mm (2 in)
Winding Material	Copper
HF Unit	
Sensitivity (1W/1m) (5)	103 dB
Nominal Power Handling (6)	50 W
Continuous Power Handling (7)	100 W
Voice Coil Diameter	44 mm (1.7 in)
Winding Material	Aluminium
Diaphragm Material	Titanium
Recom. Crossover (8)	2 kHz

## Parameters

Fs	76 Hz
Re	5.1 ohm
Qes	0.36
Qms	5
Qts	0.34
Vas	11.5 dm <sup>3</sup> (0.4 ft <sup>3</sup> )
Sd	220 cm <sup>2</sup> (34.1 in <sup>2</sup> )
Eta Zero	1.4 %
Xmax	+/- 6 mm
Mms	25 g
Bl	13 Txm
Le	1.0 mH

## Mounting and Shipping Info

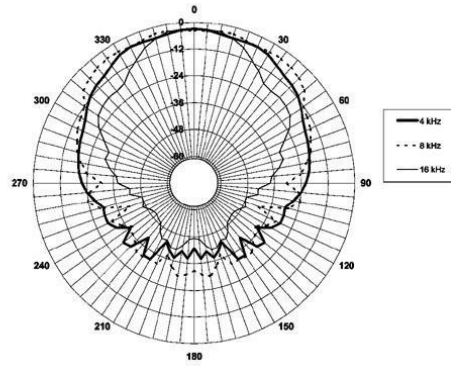
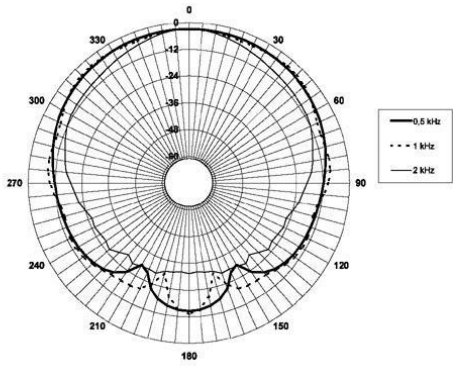
Overall Diameter	225 mm (8.8 in)
Bolt Circle Diameter	210 mm (8.3 in)
Baffle Cutout Diameter	187 mm (7.4 in)
Depth	129 mm (5.1 in)
Flange and Gasket Thickness	11 mm (0.4 in)
Net Weight	3.9 kg (8.6 lb)

<sup>1</sup> Included by -6 dB down points, averaged from 1 kHz to 8 kHz with B&C XO-1 crossover filter.

<sup>2</sup> Applied RMS Voltage is set to 2.83V for 8 ohms Nominal Impedance.

<sup>3</sup> 2 hours test made with continuous pink noise signal (6 dB crest factor) within the specified range . Power calculated on rated minimum





impedance. Loudspeaker in free air.

<sup>4</sup>Power on Continuous Program is defined as 3 dB greater than the Nominal rating.

<sup>5</sup>Applied RMS Voltage is set to 2.83V for 8 ohms Nominal Impedance.

<sup>6</sup>2 hours test made with continuous pink noise signal (6 dB crest factor) within the specified range . Power calculated on rated minimum impedance. Loudspeaker in free air.

<sup>7</sup>Power on Continuous Program is defined as 3 dB greater than the Nominal rating.

<sup>8</sup>12 dB/oct. or higher slope high-pass filter.



## Free Manuals Download Website

<http://myh66.com>

<http://usermanuals.us>

<http://www.somanuals.com>

<http://www.4manuals.cc>

<http://www.manual-lib.com>

<http://www.404manual.com>

<http://www.luxmanual.com>

<http://aubethermostatmanual.com>

Golf course search by state

<http://golfingnear.com>

Email search by domain

<http://emailbydomain.com>

Auto manuals search

<http://auto.somanuals.com>

TV manuals search

<http://tv.somanuals.com>