



**MOTOROLA**

*intelligence everywhere™*



# ***MOTOMANUAL***

HS830



# Welcome

---

Welcome to the world of Motorola digital wireless communications! We are pleased that you have chosen the Motorola HS830 Wireless Module with Bluetooth<sup>®</sup> technology.

The Motorola HS830 makes connectivity invisible, reliable, and simple to use. And although you are no longer connected by wires, you are connected to a growing group of leading-edge technology pioneers who are embracing the global *Bluetooth* movement.

Motorola, Inc.  
Consumer Advocacy Office  
1307 East Algonquin Road  
Schaumburg, IL 60196

[www.hellomoto.com](http://www.hellomoto.com)

1-800-331-6456 (United States)

1-888-390-6456 (TTY/TDD United States for  
hearing impaired)

1-800-461-4575 (Canada)

The use of wireless devices and their accessories may be prohibited or restricted in certain areas. Always obey the laws and regulations on the use of these products.

MOTOROLA and the Stylized M Logo are registered in the US Patent & Trademark Office. The Bluetooth trademarks are owned by their proprietor and used by Motorola, Inc. under license. All other product or service names are the property of their respective owners.

© Motorola, Inc., 2004.

Manual number: 6809482A59-A

## **Export Law Assurances**

This product is controlled under the export regulations of the United States of America and Canada. The Governments of the United States of America and Canada may restrict the exportation or re-exportation of this product to certain destinations. For further information contact the U.S. Department of Commerce or the Canadian Department of Foreign Affairs and International Trade.

## **Software Copyright Notice**

This product is controlled under the export regulations of The Motorola products described in this manual may include copyrighted Motorola and third-party software stored in semiconductor memories or other media. Laws in the United States and other countries preserve for Motorola and third-party software providers certain exclusive rights for copyrighted software, such as the exclusive rights to distribute or reproduce the copyrighted software. Accordingly, any copyrighted software contained in the Motorola products may not be modified, reverse-engineered, distributed, or reproduced in any manner to the extent allowed by law. Furthermore, the purchase of the Motorola products shall not be deemed to grant either directly or by implication, estoppel, or otherwise, any license under the copyrights, patents, or patent applications of Motorola or any third-party software provider, except for the normal, non-exclusive, royalty-free license to use that arises by operation of law in the sale of a product.

# Contents

---

<b>Safety and General Information . . .</b>	<b>6</b>
<b>Introduction. . . . .</b>	<b>12</b>
What Is Bluetooth <sup>®</sup> Wireless Technology? . . . . .	12
Wireless Module Features . . . . .	13
<b>Using Your Wireless Module . . . . .</b>	<b>15</b>
Charging the Battery . . . . .	15
Pairing Your Wireless Module and Phone . . . . .	20
Wearing Your Wireless Module. . .	24
Adjusting the Volume . . . . .	26
Muting the Microphone . . . . .	26
Making and Receiving Calls . . . . .	27
Using Your Module's Indicator LED. . . . .	32
Other Wireless Module Adapter Applications. . . . .	38
Walkie-Talkie Mode . . . . .	40

# Safety and General Information

---

## **IMPORTANT INFORMATION ON SAFE AND EFFICIENT OPERATION. READ THIS INFORMATION BEFORE USING YOUR DEVICE.**

Users are not permitted to make changes or modify the device in any way. Changes or modifications not expressly approved by the party responsible for compliance could void the user's authority to operate the equipment. See 47 CFR Sec. 15.21.

This device complies with part 15 of the FCC Rules. Operation is subject to the



following two conditions: (1) This device may not cause harmful interference, and (2) this device must accept any interference received, including interference that may cause undesired operation. See 47 CFR Sec. 15.19(3).

## Electromagnetic Interference/Compatibility

**Note:** Nearly every electronic device is susceptible to electromagnetic interference (EMI) if inadequately shielded, designed, or otherwise configured for electromagnetic compatibility.

### Facilities

To avoid electromagnetic interference and/or compatibility conflicts, turn off your device in any facility where posted

notices instruct you to do so. Hospitals or health care facilities may be using equipment that is sensitive to external RF energy.

## **Aircraft**

When instructed to do so, turn off your device when on board an aircraft. Any use of a device must be in accordance with applicable regulations per airline crew instructions.

## **Medical Devices**

### **Hearing Aids**

Some devices may interfere with some hearing aids. In the event of such interference, you may want to consult with your hearing aid manufacturer to discuss alternatives.

### **Other Medical Devices**

If you use any other personal medical

device, consult the manufacturer of your device to determine if it is adequately shielded from RF energy. Your physician may be able to assist you in obtaining this information.

## **Industry Canada Notice to Users**

Operation is subject to the following two conditions: (1) This device may not cause interference and (2) This device must accept any interference, including interference that may cause undesired operation of the device Ref IC: RSS 210 Sec. 5.11. The term "IC:" before the certification/registration number only signifies that registration was performed based on a Declaration of Conformity indicating that Industry Canada technical specifications were

met. It does not imply that Industry Canada approved the equipment. See Ref IC Self-Marking 6(f) and RSP-100 Sec. 4.

## **FCC Notice to Users**

This equipment has been tested and found to comply with the limits for a Class B digital device, pursuant to part 15 of the FCC Rules. These limits are designed to provide reasonable protection against harmful interference in a residential installation. This equipment generates, uses and can radiate radio frequency energy and, if not installed and used in accordance with the instructions, may cause harmful interference to radio communications. However, there is no guarantee that interference will not occur in a particular installation. If this

equipment does cause harmful interference to radio or television reception, which can be determined by turning the equipment off and on, the user is encouraged to try to correct the interference by one or more of the following measures:

- Reorient or relocate the receiving antenna.
- Increase the separation between the equipment and the receiver.
- Connect the equipment to an outlet on a circuit different from that to which the receiver is connected.
- Consult the dealer or an experienced radio/TV technician for help.

# Introduction

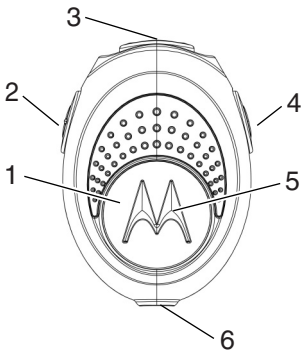
---

## What Is Bluetooth® Wireless Technology?

Bluetooth is a wireless way to connect and transfer information between mobile phones, accessories, computers, and other communication devices. This product will work seamlessly with any Bluetooth enabled phone.

For more information on this or Motorola's other innovative Bluetooth products, visit [www.motorola.com/bluetooth](http://www.motorola.com/bluetooth).

# Wireless Module Features



**1 Multifunction Button (MFB)**—Controls multiple headset functions.

**2 Volume Up Button**—Adjusts speaker volume up.

**3 Charging Port**—Accepts the plug for the battery charger.

**4 Volume Down Button**—Adjusts speaker volume down.

**5 LED Indicator**—Provides a visual status about wireless module.

**6 Headset Jack**—Accepts the plug for the earbud and microphone.



# Using Your Wireless Module

---

## Charging the Battery

### When to Charge

**First-Time Use**—Before you can use your wireless module, charge its self-contained battery for two hours.

**Recharging**—When you hear five rapid high tones, repeated at 20-second intervals, your wireless module's battery needs recharging.

Over time, batteries gradually wear down and require longer charging times. This is normal. Your battery will have

less standby time the more you talk on your phone with your wireless module.



The rechargeable batteries that power your wireless module must be disposed of properly and may need to be recycled. Contact your local recycling center for proper disposal methods.

**Warning:** Never dispose of batteries in a fire because they may explode.

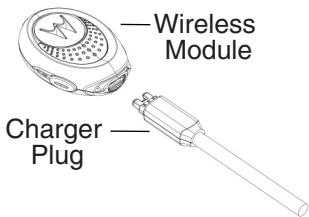
# How to Charge

## Action

- 1 Remove your wireless module from the neck strap.

---

- 2 Plug the Motorola charger into the module, with the charger's release tab facing down and the module facing up.



## Action

- 3 Plug the other end of the charger into an electrical outlet.

During charging, the LED indicator turns on and remains on until charging completes. Your wireless module will not work while charging. The battery fully charges in approximately two hours.

---

- 4 When charging completes (indicator off), remove the charger from the electrical outlet, press the release tab, and detach the charger from the module.
-

## Action

- 5 To turn on your wireless module, press and hold the MFB for 3 seconds until the LED flashes rapidly. To turn off your wireless module, press and hold the MFB for 3 seconds until the LED flashes rapidly and turns off.
- 
- 

**Note:** You can also use a Motorola Original™ Vehicle Power Adapter to charge your wireless module's battery while in your vehicle.

A fully charged module battery provides approximately:

- 5 hours of talk time
- 100 hours of standby time

# Pairing Your Wireless Module and Phone

**Note:** You must pair your wireless module and phone before you can make a call.

“Pairing” creates a link between devices with *Bluetooth* wireless technology, and allows your phone to remember your wireless module’s unique electronic serial number. When your wireless module and phone are paired, your wireless module automatically connects to your phone whenever you turn it on.

# Pairing Instructions

With your wireless module and phone close together:

## Action

- 1 With your wireless module off, press and hold the MFB until the LED remains on (about 6 seconds).

---

- 2 Perform a *device discovery* from the phone.  
*For details on device discovery for your phone, refer to the phone's user's guide.*

When the scan is complete, the phone displays the devices found.

---

## Action

**3** Select Motorola HS830 from the discovered devices list and confirm following the on-screen prompts.

---

**4** When prompted by your phone, enter the passkey (0000) and confirm to pair your wireless module with the phone.

The device ID is now stored in your phone's memory.

Pairing is successful when the indicator on the wireless module flashes rapidly.

---

---



## Pairing to Additional Devices

Your wireless module can store pairing information for up to four different devices with *Bluetooth* wireless technology. Pairing information is stored in a “Paired Device List” in memory in the order entered. When you try to pair to more than four devices, the wireless module removes the oldest paired device from the list.

Any of the four paired devices can initiate a connection to the wireless module.

The wireless module automatically initiates a connection (upon power-up) only with the **last** device it was **connected to**. If you want to connect the wireless module to another device

in the paired device list, initiate the connection from that device. If any of the four devices initiates a connection to the wireless module afterwards, that device then becomes the “last connected” device.

## Wearing Your Wireless Module

Place the wireless module in the Neck Strap.

### Action

- 1 Insert the 2.5mm plug from the neck strap into the headset jack on the bottom of the wireless module.

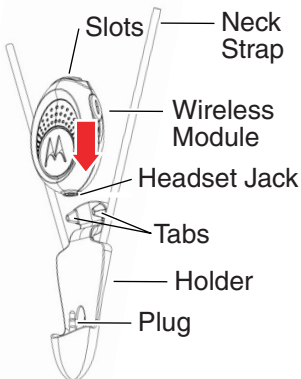
---

- 2 Push the wireless module back into the neck strap holder.

---

## Action

- 3 Insert the two tabs on the neck strap holder into the slots on the top of the wireless module.
- 4 Place the neck strap around your neck and insert the earbud in your ear.



# Adjusting the Volume

To increase volume for the wireless module, press the volume up button repeatedly until you reach the desired volume level.

To decrease volume for the wireless module, press the volume down button repeatedly until you reach the desired volume.

# Muting the Microphone

You can mute the microphone on your wireless module while on a call. Press and hold both vol+ and vol- buttons for 2-seconds until you hear a beep sound. Press either the vol+ or vol- button to unmute the microphone.

# Making and Receiving Calls

**Note:** The use of wireless devices and their accessories may be prohibited or restricted in certain areas. Always obey the laws and regulations on the use of these products.

Your wireless module supports both Handsfree and Headset Profiles. Accessing call functions depends on which profile your phone supports.

**Note:** Some phones do not support all features listed. See your phone's user's guide.

Activate call functions as follows:

<b>Function</b>		
<b>Phone</b>	<b>Headset</b>	<b>Action</b>
<b>Enter Pairing (Configuration) Mode</b>		
On	Off	Press and hold MFB until LED remains on. Wireless module can be discovered by another Bluetooth device.
<b>Make a Voice Dial Call</b>		
On in idle	On	Short press MFB, say name, phone dials call

<b>Function</b>		
<b>Phone</b>	<b>Headset</b>	<b>Action</b>
<b>Redial a Number</b>		
On-voice dialing turned on or off	On- (In Idle)	Long press MFB
<b>End a Call</b>		
On-in call	On	Short press MFB
<b>Put Active Call on Hold</b>		
On-in call	On	Long press MFB
<b>Resume Call on Hold</b>		
On-active call on hold	On	Long press MFB
<b>Receive a Call</b>		
On-phone rings	On	Short press MFB (call is answered)

<b>Function</b>		
<b>Phone</b>	<b>Headset</b>	<b>Action</b>
<b>Reject a Call</b>		
On-phone rings	On	Long press MFB
<b>Answer 2nd Incoming Call</b>		
On-in call, 2nd call coming in	On	Long press MFB, places 1st call on hold, answers incoming call
<b>Toggle Between Two Active Calls</b>		
On-in call, 2nd call on hold	On	Long press MFB
<b>Join Two Calls (3-Way Calling)</b>		
On-in call 2nd call on hold	On	Press both volume buttons at the same time. Both calls will become active.



<b>Function</b>		
<b>Phone</b>	<b>Headset</b>	<b>Action</b>
<b>Transfer Call from Phone to Wireless Module</b>		
On—in call	On	Short press MFB, (call transferred to wireless module)
<b>Mute Microphone</b>		
On—in call	On	Press and hold vol+ and vol- buttons for 2 seconds.  To unmute, press either volume button.

**Note:** If the link abnormally disconnects (for example, out of range) the wireless module tries to reestablish the link.

# Using Your Module's Indicator LED

With charger plugged in:

<b>Indicator</b>	<b>Status</b>
ON	Charging in progress
OFF	Charging complete

With no charger plugged in:

<b>Indicator</b>	<b>Status</b>
OFF	Power off
ON (steady)	Pairing mode
10 rapid flashes	Pairing successful

Indicator	Status
Flashes at a 3-second interval (0.1 seconds ON 2.9 seconds OFF)	Standby (not on a call)
Pulses at an 8-second interval (2.0 seconds ON, 6.0 seconds OFF)	Connected (on a call)

**Note:** When the module is paired to the phone and there is no activity for 5 minutes, the blue flashing LED turns off. Any button press on the module resets the timer, and the flashing resumes. If you press the up and down

volume buttons at the same time during a call, the pulsing LED turns off for the rest of that call.

## Audio Tones

<b>Tone</b>	<b>Wireless Module Status</b>
One high tone when pressing volume button	Volume maximum or minimum reached
Five rapid high tones, repeated every 20 seconds	Low battery
No audio indications; deteriorating audio quality	Out of range

<b>Tone</b>	<b>Wireless Module Status</b>
Series of 4 tones, low to high	Call active
Ring tone	Incoming call
One high tone	Pairing confirmation
One low tone	Initiate voice activation
One high and one low tone	Voice tag not recognized
One high tone	End call

Tone	Wireless Module Status
Series of 4 tones, high to low	Audio link closed (Headset mode), call ended (Handsfree mode)
Fast high/low tone every 5 seconds (max. & min. volume confirm beep)	no network/service
No tone	power ON/OFF

The wireless module sounds an audible alert so that you do not miss an incoming call even if your phone is in a bag or briefcase. The audible alert can be turned on or off by pressing and

holding both volume buttons for three seconds. See table below for operation.

**Note:** Disabling the audible alert does not affect the phone or earbud operation. Alerts will still be heard in the earbud speaker if the phone is set to other than silent mode.

### Action

- 1 Press and hold volume up and volume down buttons for 3 seconds.

Audible Tones: High tone - Low tone

Result: Alert disabled

---

- 2 Press and hold volume up and volume down buttons for 3 seconds.

Audible Tones: Low tone - High tone

Result: Alert enabled

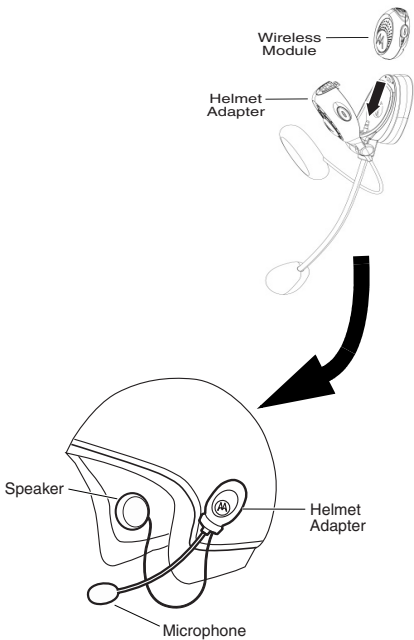
---

---

# Other Wireless Module Adapter Applications

The wireless module can also be used as a handsfree device on a helmet. The SYN0997 Universal Helmet Adapter, available at [www.motorola.com/bluetooth](http://www.motorola.com/bluetooth), mounts to almost any helmet - motorcycle/scooter, skiing, snowboarding. The wireless module slides into the helmet adapter creating a handsfree accessory for your helmet. Visit Motorola online for more details.





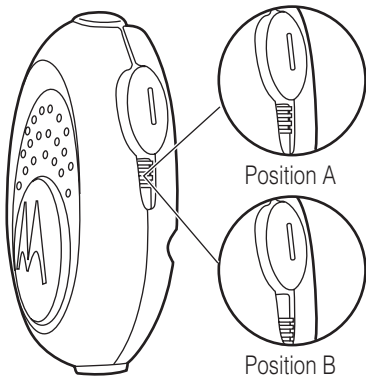
# Walkie-Talkie Mode

Two Wireless Modules can be configured for full duplex voice communication with each other. For example, a motorcycle driver may communicate wirelessly with a rider sitting behind.

To use this feature, two wireless modules must be configured to operate as a pair:

## Action

- 1 On unit 1, move the A/B switch to position **A**.



- 
- 2 Press and hold the MFB to place this wireless module into pairing mode.
-

## Action

**3** On unit 2, place the A/B switch to position **B**.

---

**4** Press and hold the MFB to place this wireless module into pairing mode.

The two units automatically find each other and pair to each other. Rapid flashes on each wireless module indicate the two modules have paired successfully.

A full duplex wireless audio channel is established and walkie-talkie mode is enabled.

---

---

## Walkie-Talkie Mode Tips

Any one of the paired units can turn the audio connection on or off to save

power by pressing the MFB. The Bluetooth connection is maintained.

The two modules will remember this pairing even after the second unit switches to position **A** and is used with a mobile phone.

Each wireless module can remember up to four paired devices (phones, PDA's, Laptop computers and other wireless modules) when in switch position **A**.

The wireless module remembers only one other wireless module when in switch position **B**.



# Bienvenue

---

Bienvenue dans le monde des communications sans fil numériques de Motorola! Nous sommes heureux que vous ayez choisi le module sans fil Motorola HS830 doté de la technologie Bluetooth®.

Le Motorola HS830 permet une connectivité invisible, fiable et facile à utiliser. À mesure que les fils disparaissent, vous vous connectez au groupe de pionniers des technologies de pointe qui se joignent en nombre sans cesse grandissant au mouvement mondial *Bluetooth*.

Motorola, Inc.  
Consumer Advocacy Office  
1307 East Algonquin Road  
Schaumburg, IL 60196

[www.hellomoto.com](http://www.hellomoto.com)

1-800-331-6456 (États-Unis)

1-888-390-6456 (TTY/ATS aux États-Unis  
pour les malentendants)

1-800-461-4575 (Canada)

L'utilisation d'appareils cellulaires ou de leurs accessoires peut être interdite ou restreinte dans certaines régions. Conformez-vous toujours aux lois et aux règlements régissant l'utilisation de ces appareils.

MOTOROLA et le logo M stylisé sont des marques déposées au US Patent & Trademark Office. Les marques de commerce Bluetooth sont la propriété de leur détenteur et sont utilisées sous licence par Motorola, Inc. Tous les autres noms de produits et de services sont la propriété de leur détenteur respectif.

© Motorola, Inc., 2004.

Numéro du manuel : 6809482A59-A



## **Assurances de la loi sur l'exportation**

Ce produit est contrôlé par des règlements sur l'exportation des États-Unis d'Amérique et du Canada. Les gouvernements du Canada et des États-Unis peuvent restreindre l'exportation ou la réexportation de ce produit vers certaines destinations. Pour obtenir plus de renseignements, communiquez avec le ministère des Affaires étrangères et du Commerce international du Canada ou avec le Department of Commerce des États-Unis.

## **Avis de droits d'auteur des logiciels**

Les produits Motorola décrits dans le présent manuel peuvent comprendre un logiciel, sauvegardé dans la mémoire des semi-conducteurs ou ailleurs, et dont les droits d'auteur appartiennent à Motorola ou à une tierce partie. Les lois des États-Unis et de d'autres pays réservent certains droits d'exclusivité à Motorola et aux autres fournisseurs de logiciels protégés par droits d'auteur, comme les droits de distribution et de reproduction exclusifs du logiciel. Ainsi, tout logiciel contenu dans un produit Motorola et protégé par droits d'auteur ne peut être modifié, assujetti à l'ingénierie inverse, distribué ou reproduit de quelque façon que ce soit, dans les limites permises par la loi. De plus, l'achat d'un produit Motorola n'accorde aucun droit implicite ou direct, ou aucun permis sur les droits d'auteur, les brevets, les applications de brevets sur les logiciels de Motorola ou d'un autre fournisseur de logiciel, à l'exception du permis normal, non exclusif et sans redevance d'utilisation qui découle de l'application de la loi en ce qui a trait à la vente d'un produit.

# Sommaire

---

<b>Renseignements généraux et sécurité</b> . . . . .	51
<b>Introduction</b> . . . . .	58
Qu'est-ce que la technologie sans fil Bluetooth®? . . . . .	58
Caractéristiques du module sans fil . . . . .	59
<b>Utilisation du module sans fil</b> . . . . .	61
Charge de la batterie . . . . .	61
Appariement du module sans fil et du téléphone . . . . .	67
Port du module sans fil . . . . .	71
Réglage du volume . . . . .	73
Mise en sourdine du microphone . . . . .	73
Acheminement et réception d'appels . . . . .	74

Utilisation de l'indicateur à DEL du module . . . . .	82
Autres applications du module sans fil . . . . .	89
Mode émetteur-récepteur . . . . .	91

# Renseignements généraux et sécurité

---

## **RENSEIGNEMENTS IMPORTANTS POUR UN FONCTIONNEMENT SÛR ET EFFICACE. LISEZ CES RENSEIGNEMENTS AVANT D'UTILISER VOTRE APPAREIL.**

Les utilisateurs ne sont pas autorisés à apporter des modifications de quelque nature que ce soit à l'appareil. Toute modification non expressément approuvée par les autorités responsables de la conformité du produit aux normes peut annuler le droit d'utilisation de l'appareil par l'utilisateur. Voir 47 CFR Sec. 15.21.

Cet appareil est conforme à la Partie 15 des règlements de la FCC. L'utilisation de l'appareil doit répondre aux deux conditions suivantes : (1) Cet appareil ne doit pas émettre de brouillage nuisible, et (2) cet appareil doit accepter toute interférence, y compris toute interférence qui pourrait occasionner un fonctionnement inopportun. Voir 47 CFR Sec. 15,19(3).

## Interférence électromagnétique/compatibilité

**Note :** Pratiquement tout dispositif électronique peut être sujet à l'interférence électromagnétique (EMI) s'il n'est pas adéquatement protégé ou conçu, ou s'il n'est pas configuré pour la compatibilité électromagnétique.

## **Endroits signalisés**

Afin d'éviter l'interférence électromagnétique et les problèmes de compatibilité, mettez votre dispositif hors tension lorsque des avis vous demandent de le faire. Les hôpitaux et les établissements de santé sont susceptibles d'utiliser du matériel sensible à l'énergie radioélectrique extérieure.

## **Avions**

À bord d'un avion, mettez votre dispositif hors tension lorsqu'on vous demande de le faire. Utilisez toujours votre dispositif en respectant les règlements applicables que l'équipage vous demande de suivre.

## Appareils médicaux

### **Prothèses auditives**

Certains dispositifs peuvent causer de l'interférence avec quelques prothèses auditives. Le cas échéant, veuillez consulter votre fabricant de prothèses auditives afin de vérifier s'il est possible d'utiliser un autre modèle de prothèse.

### **Autres appareils médicaux personnels**

Si vous utilisez tout autre appareil médical personnel, consultez le fabricant pour savoir si l'appareil est convenablement protégé contre l'énergie RF. Votre médecin peut vous aider à trouver cette information.



## Avis d'Industrie Canada aux utilisateurs

L'utilisation de l'appareil doit répondre aux deux conditions suivantes : (1) cet appareil ne doit pas produire d'interférence nuisible, et (2) cet appareil doit accepter toute interférence reçue, y compris toute interférence susceptible de compromettre le fonctionnement de l'appareil. Réf. IC : CNR-210 art. 5.11.

L'acronyme « IC : » qui figure devant le numéro de certification/d'enregistrement signifie seulement que l'enregistrement a été effectué sur la base d'une déclaration de conformité, indiquant que les spécifications techniques d'Industrie Canada ont été respectées. Cela n'indique pas qu'Industrie Canada a approuvé le dispositif. Voir Réf. IC Auto-marquage 6(f) et PNR-100, art. 4.

## Avis de la FCC aux utilisateurs

Cet appareil a été testé et est conforme aux limites imposées pour les dispositifs numériques de Classe B conformément à la partie 15 des règlements de la FCC. Ces limites ont été établies pour offrir une protection raisonnable contre l'interférence nuisible dans les bâtiments résidentiels. Cet appareil génère, utilise et peut émettre des radio-fréquences et, s'il n'est pas installé et utilisé conformément aux directives, peut causer de l'interférence nuisible aux communications radio. Cependant, il n'y a aucune garantie d'absence de toute interférence dans une installation donnée. Si l'appareil cause de l'interférence nuisible à la réception des

postes de radio ou de télévision, ce qui peut être déterminé en mettant l'appareil hors tension puis sous tension, il est recommandé que l'utilisateur tente de prévenir cette interférence de l'une des manières suivantes :

- réorienter ou rediriger l'antenne de réception;
- augmenter la distance entre l'appareil et le récepteur;
- brancher l'appareil dans une prise d'un circuit différent de celui auquel est branché le récepteur;
- communiquer avec le détaillant ou avec un technicien qualifié en radio/télévision pour obtenir de l'aide.

# Introduction

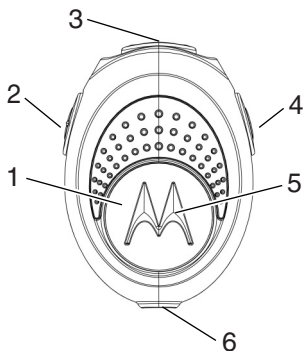
---

## Qu'est-ce que la technologie sans fil Bluetooth<sup>®</sup>?

La technologie Bluetooth permet de connecter sans fil des téléphones mobiles, des accessoires, des ordinateurs et d'autres appareils de communication, afin de transférer des informations entre ces divers dispositifs. Ce produit s'adapte harmonieusement à tout téléphone doté de la technologie Bluetooth.

Pour de plus amples renseignements sur cet appareil ou sur les autres produits Bluetooth novateurs offerts par Motorola, visitez [www.motorola.com/bluetooth](http://www.motorola.com/bluetooth).

# Caractéristiques du module sans fil



**1 Touche multifonction** — Contrôle les nombreuses fonctions du casque.

**2 Touche d'augmentation du volume** — Permet d'augmenter le volume du haut-parleur.

**3 Port de charge** — Permet de brancher la fiche du chargeur de batterie.

**4 Touche de diminution du volume** — Permet de diminuer le volume du haut-parleur.

**5 Indicateur à DEL** — Donne une indication visuelle de l'état du module sans fil.

**6 Prise pour casque** — Permet de brancher la fiche de l'écouteur et du microphone.

# Utilisation du module sans fil

---

## Charge de la batterie

### Quand charger

**Première utilisation** — Avant de pouvoir utiliser votre module sans fil, vous devez charger sa batterie intégrée pendant deux heures.

**Recharge** — Lorsque vous entendez cinq tonalités aiguës rapides, répétées à des intervalles de 20 secondes, vous devez recharger la batterie du module sans fil.

Augmentez le temps de charge des vieilles batteries car avec le temps, les batteries s'usent. Cela est normal. Plus vous parlez au téléphone avec votre module sans fil, moins vous aurez de temps de réserve.



Les batteries rechargeables qui alimentent votre module sans fil doivent être mises au rebut de la manière appropriée ou recyclées. Communiquez avec un centre de recyclage local pour connaître les méthodes de mise au rebut appropriées.

**Mise en garde :** Ne jetez jamais les batteries au feu, car elles pourraient exploser.



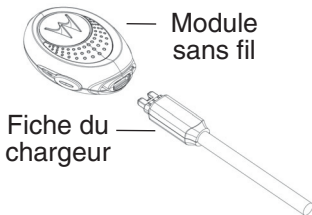
# Comment charger

## Action

- 1 Retirez le module sans fil de la courroie.

---

- 2 Branchez le chargeur Motorola au module en plaçant la patte de déclenchement du chargeur vers le bas et le module face vers le haut.



## Action

- 3 Branchez le chargeur dans une prise électrique.

Pendant la charge, l'indicateur à DEL s'allume et reste allumé jusqu'à ce que la charge soit terminée. Le module sans fil ne fonctionne pas pendant la charge. La batterie sera chargée à pleine capacité au bout d'environ deux heures.

---

- 4 Lorsque la charge est terminée (l'indicateur s'éteint), débranchez le chargeur de la prise électrique, appuyez sur la patte de déclenchement et débranchez le cordon du chargeur du module.
-

## Action

- 5 Pour mettre votre module sans fil sous tension, tenez la touche multifonction enfoncée pendant 3 secondes, jusqu'à ce que l'indicateur à DEL clignote rapidement. Pour mettre votre module sans fil hors tension, tenez la touche multifonction enfoncée pendant 3 secondes, jusqu'à ce que l'indicateur à DEL clignote rapidement et s'éteigne.
- 
- 

**Nota :** Vous pouvez également utiliser un adaptateur d'alimentation véhiculaire Motorola Original<sup>MC</sup> pour charger la batterie du module sans fil dans votre véhicule.

Lorsque la batterie du module est chargée à pleine capacité, elle offre environ :

- 5 heures de temps de conversation
- 100 heures de temps de réserve

# Appariement du module sans fil et du téléphone

**Nota :** Vous devez appairier votre module sans fil et votre téléphone avant de pouvoir acheminer un appel.

L'appariement crée un lien entre les dispositifs dotés de la technologie sans fil *Bluetooth* et permet à votre téléphone d'enregistrer le numéro de série électronique unique de votre module sans fil. Une fois votre module sans fil et votre téléphone appariés, votre module sans fil se connecte automatiquement au téléphone chaque fois que vous le mettez sous tension.

# Directives d'appariement

Rapprochez le module sans fil et le téléphone, puis :

## Action

- 1 Assurez-vous que votre module sans fil est hors tension, puis tenez la touche multifonction enfoncée jusqu'à ce que l'indicateur à DEL reste allumé (environ 6 secondes).

- 
- 2 Effectuez une *découverte de dispositif* à partir du téléphone.  
*Pour plus de détails sur la découverte de dispositif à partir du téléphone, reportez-vous au guide de l'utilisateur du téléphone.*

Lorsque la recherche est terminée, le téléphone affiche les dispositifs trouvés.

## Action

- 3 Sélectionnez le Motorola HS830 dans la liste des dispositifs trouvés et confirmez ce choix en suivant les messages-guides qui s'affichent au visuel.
- 
- 4 Lorsque le téléphone vous le demande, entrez le code d'autorisation (0000) et confirmez-le pour appairer le module sans fil au téléphone.

Le numéro d'identification du dispositif est maintenant sauvegardé dans la mémoire du téléphone.

Un clignotement rapide de l'indicateur du module sans fil indique que l'appariement est réussi.

---

---

## Appariement à d'autres dispositifs

Votre module sans fil peut sauvegarder l'information relative à l'appariement avec quatre dispositifs différents dotés de la technologie sans fil *Bluetooth*.

L'information d'appariement est sauvegardée en mémoire dans une « liste de dispositifs appariés », selon l'ordre d'entrée des dispositifs. Si vous appariez un cinquième dispositif, le premier dispositif apparié est automatiquement supprimé de la liste.

Les quatre dispositifs appariés sont tous en mesure, individuellement, de lancer une connexion au module sans fil.

Le module sans fil ne peut lancer automatiquement une connexion (lorsque mis sous tension) qu'avec le



**dernier** dispositif auquel il a été **apparié**. Si vous désirez connecter le module sans fil à un autre dispositif de la liste, vous devez lancer cette connexion à partir de l'autre dispositif. Par la suite, celui des quatre dispositifs qui se connecte au casque devient le « dernier dispositif apparié ».

## Port du module sans fil

Placez le module sans fil dans la courroie.

### Action

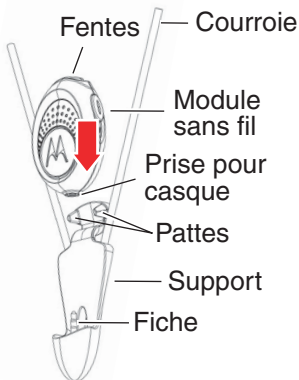
- 1 Insérez la fiche de 2,5 mm de la courroie dans la prise pour casque située au bas du module sans fil.

---

  - 2 Remplacez le module sans fil dans le support de la courroie en appuyant.
-

## Action

- 3 Insérez les deux pattes du support de la courroie dans les fentes situées sur le dessus du module sans fil.
- 4 Enfilez la courroie autour de votre cou et insérez l'écouteur dans votre oreille.



# Réglage du volume

Pour augmenter le volume du module sans fil, appuyez plusieurs fois sur la touche d'augmentation du volume, selon le réglage désiré.

Pour diminuer le volume du module sans fil, appuyez plusieurs fois sur la touche de diminution du volume, selon le réglage désiré.

# Mise en sourdine du microphone

Vous pouvez mettre le microphone en sourdine en cours d'appel sur votre module sans fil. Tenez enfoncées les touches vol+ ou vol- pendant deux secondes jusqu'à ce que vous entendiez un bip. Pour désactiver la mise en sourdine du microphone, appuyez sur la touche vol+ ou vol-.

# Acheminement et réception d'appels

**Nota :** L'utilisation d'appareils sans fil ou de leurs accessoires peut être interdite ou restreinte dans certains endroits. Conformez-vous toujours aux lois et aux règlements régissant l'utilisation de ces appareils.

Votre module sans fil peut fonctionner aussi bien en mode mains libres qu'avec un casque. L'accès aux fonctions d'appel dépend du mode soutenu par votre téléphone.

**Nota :** Certains téléphones ne soutiennent pas toutes les fonctions énumérées. Consultez le guide de l'utilisateur du téléphone.

Pour activer les fonctions d'appel, faites comme suit :

<b>Fonction</b>		
<b>Téléphone</b>	<b>Casque</b>	<b>Action</b>
<b>Accéder au mode d'appariement (configuration)</b>		
Sous tension	Hors tension	Tenez la touche multifonction enfoncée jusqu'à ce que l'indicateur à DEL reste allumé. Le module sans fil peut être découvert par un autre dispositif Bluetooth.

<b>Fonction</b>		
<b>Téléphone</b>	<b>Casque</b>	<b>Action</b>
<b>Acheminer un appel par composition vocale</b>		
Sous tension, en mode d'attente	Sous tension	Appuyez brièvement sur la touche multifonction et dites le nom; le téléphone compose le numéro
<b>Recomposer un numéro</b>		
Sous tension, composition vocale activée ou non	Sous tension, en mode d'attente	Maintenez enfoncée la touche multifonction

<b>Fonction</b>		
<b>Téléphone</b>	<b>Casque</b>	<b>Action</b>
<b>Terminer un appel</b>		
Sous tension, en appel	Sous tension	Appuyez brièvement sur la touche multifonction
<b>Mettre en garde l'appel actif</b>		
Sous tension, en appel	Sous tension	Tenez enfoncée la touche multifonction
<b>Reprendre l'appel en garde</b>		
Sous tension, appel actif en garde	Sous tension	Tenez enfoncée la touche multifonction

<b>Fonction</b>		
<b>Téléphone</b>	<b>Casque</b>	<b>Action</b>
<b>Recevoir un appel</b>		
Sous tension, le téléphone sonne	Sous tension	Appuyez brièvement sur la touche multifonction (le téléphone répond)
<b>Refuser un appel</b>		
Sous tension, le téléphone sonne	Sous tension	Maintenez enfoncée la touche multifonction



<b>Fonction</b>		
<b>Téléphone</b>	<b>Casque</b>	<b>Action</b>
<b>Répondre à un deuxième appel entrant</b>		
Sous tension, en appel, deuxième appel entrant	Sous tension	Tenez la touche multifonction enfoncée, le téléphone met le premier appel en garde et répond à l'appel entrant
<b>Passer d'un appel à l'autre</b>		
Sous tension, en appel, deuxième appel en garde	Sous tension	Tenez enfoncée la touche multifonction

<b>Fonction</b>		
<b>Téléphone</b>	<b>Casque</b>	<b>Action</b>
<b>Joindre deux appels (conférence à trois)</b>		
Sous tension, en appel, deuxième appel en garde	Sous tension	Appuyez simultanément sur les deux touches de volume. Les deux appels deviennent actifs.
<b>Transférer l'appel du téléphone au module sans fil</b>		
Sous tension, en appel	Sous tension	Appuyez brièvement sur la touche multifonction (l'appel est transféré au module sans fil)

Fonction		
Téléphone	Casque	Action
<b>Mettre en sourdine le microphone</b>		
Sous tension, en appel	Sous tension	Tenez enfoncées les touches vol+ ou vol- pendant 2 secondes. Pour désactiver la mise en sourdine, appuyez sur l'une des touches du volume.

**Nota :** *Si le lien est perdu accidentellement (p. ex. si le dispositif est hors de portée), le module sans fil tente de rétablir le lien.*

# Utilisation de l'indicateur à DEL du module

Lorsque le chargeur est branché :

<b>Indicateur</b>	<b>État</b>
ALLUMÉ	La charge est en cours
ÉTEINT	La charge est terminée

Lorsque le chargeur est débranché :

<b>Indicateur</b>	<b>État</b>
ÉTEINT	Hors tension
ALLUMÉ (en continu)	Mode d'appariement
10 clignotements rapides	Appariement réussi

Indicateur	État
Clignotements à intervalles de 3 secondes (0,1 seconde ALLUMÉ, 2,9 secondes ÉTEINT)	En attente (aucun appel en cours)
Clignotements à intervalles de 8 secondes (2,0 secondes ALLUMÉ, 6,0 secondes ÉTEINT)	Connecté (appel en cours)

**Nota :** Lorsque le module est apparié au téléphone et qu'il n'y a pas d'activité pendant 5 minutes, le clignotement de l'indicateur à DEL bleue s'arrête.

L'enfoncement de n'importe quelle touche du module réactive la minuterie et le clignotement recommence. Si vous appuyez simultanément sur les touches d'augmentation et de diminution *du volume pendant un appel*,

*le clignotement de l'indicateur à DEL s'arrête pour la durée de cet appel.*

## Tonalités

<b>Tonalité</b>	<b>État du module sans fil</b>
Une seule tonalité aiguë à l'enfoncement de la touche de volume	Le niveau maximum ou minimum de volume est atteint
Cinq tonalités aiguës rapides toutes les 20 secondes	Batterie faible
Aucune indication audio, perte de qualité audio	Hors de portée

<b>Tonalité</b>	<b>État du module sans fil</b>
Série de quatre tonalités, de graves à aiguës	Appel actif
Tonalité de sonnerie	Appel entrant
Une tonalité aiguë	Confirmation de l'appariement
Une tonalité grave	Lancement de l'activation vocale
Une tonalité aiguë suivie d'une tonalité grave	Étiquette vocale non reconnue
Une tonalité aiguë	Fin de l'appel

<b>Tonalité</b>	<b>État du module sans fil</b>
Série de quatre tonalités, d'aiguës à graves	Lien audio fermé (mode casque) ou appel terminé (mode mains libres)
Tonalités aiguës/graves rapides toutes les 5 secondes (tonalité de confirmation des niveaux maximal et minimal de volume)	Aucun service/réseau
Aucune tonalité	Mise sous tension/hors tension



Le module sans fil émet une alerte sonore afin que vous ne manquiez aucun appel entrant, même lorsque votre téléphone est rangé dans votre sac ou votre porte-documents. Vous pouvez désactiver l'alerte sonore en tenant les deux touches de volume enfoncées simultanément pendant trois secondes. Reportez-vous au tableau ci-dessous pour l'utilisation de cette fonction.

**Nota :** La désactivation de l'alerte sonore ne nuit pas au fonctionnement du téléphone et de l'écouteur. Vous continuez à entendre les alertes dans l'écouteur, du moment que le téléphone n'est pas réglé en mode silencieux.

## Action

- 1 Tenez enfoncées les touches d'augmentation et de diminution du volume pendant 3 secondes.

Tonalités entendues : Tonalité aiguë, tonalité grave

Résultat : Alerte désactivée

---

- 2 Tenez enfoncées les touches d'augmentation et de diminution du volume pendant 3 secondes.

Tonalités entendues : Tonalité grave, tonalité aiguë

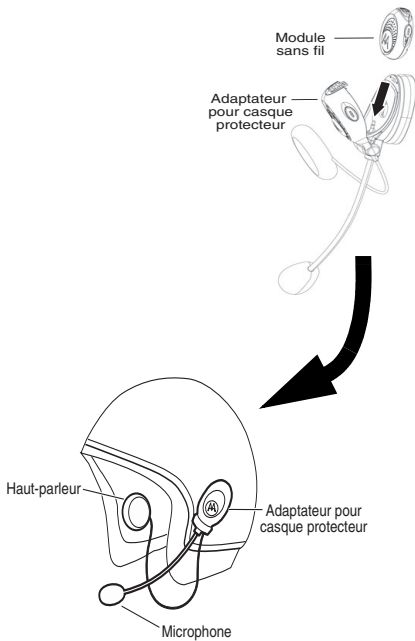
Résultat : Alerte activée

---

---

# Autres applications du module sans fil

Le module sans fil peut aussi être utilisé en tant que dispositif mains libres avec un casque protecteur. L'adaptateur universel pour casque protecteur SYN0997, disponible sur [www.motorola.com/bluetooth](http://www.motorola.com/bluetooth), s'adapte à presque tous les modèles de casques protecteurs : motocyclette, scooter, ski, planche à neige, etc. Le module sans fil se glisse dans l'adaptateur pour casque protecteur et se transforme en accessoire mains libres pour votre casque. Visitez le site Web de Motorola pour plus de détails.



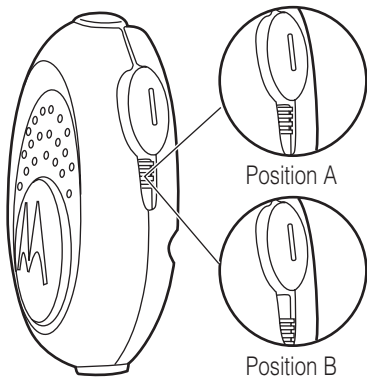
# Mode émetteur-récepteur

Il est possible de configurer deux modules sans fil de façon à établir entre eux une voie de communication vocale en duplex. Cela permet, par exemple, au conducteur d'une motocyclette de communiquer sans fil avec le passager assis derrière lui.

Pour utiliser cette fonction, deux modules sans fil doivent être configurés de façon à former une paire :

## Action

- 1 Sur le premier module sans fil, placez l'interrupteur A/B à la position A.



- 
- 2 Tenez la touche multifonction enfoncée pour mettre ce module sans fil en mode d'appariement.
-

## Action

**3** Sur le deuxième module sans fil, placez l'interrupteur A/B à la position B.

---

**4** *Tenez la touche multifonction enfoncée pour mettre ce module sans fil en mode d'appariement.*

Les deux modules se trouvent automatiquement et s'apparient. Un clignotement rapide sur chacun des deux modules sans fil indique que les modules ont réussi à s'apparier.

Un canal de transmission audio sans fil en duplex est établi, et le mode émetteur-récepteur est activé.

---

---

## Conseils relatifs au mode émetteur-récepteur

Pour activer ou désactiver la connexion (pour économiser de l'énergie) à partir de l'un ou l'autre des modules appariés, appuyez sur la touche multifonction. La connexion Bluetooth reste établie.

Les deux modules gardent cet appariement en mémoire, même lorsque le deuxième module est remis à la position **A** pour être utilisé avec un téléphone mobile.

Chacun des modules sans fil peut mémoriser jusqu'à quatre dispositifs appariés (téléphones, assistants numériques, ordinateurs portables ou autres modules sans fil) lorsqu'il est à la position **A**.

En position **B**, le module sans fil ne peut mémoriser qu'un seul autre module sans fil.



# Bienvenido

---

¡Bienvenido al mundo de las comunicaciones celulares digitales de Motorola! Nos complace que haya elegido el Módulo inalámbrico HS830 de Motorola con tecnología Bluetooth®.

El HS830 de Motorola hace que la conectividad sea invisible, confiable y simple de usar. Y aunque ya no está conectado por medio de cables, está conectado a un grupo cada vez mayor de pioneros en tecnología de vanguardia que se suman al movimiento global *Bluetooth*.

Motorola, Inc.  
Consumer Advocacy Office  
1307 East Algonquin Road  
Schaumburg, IL 60196

[www.hellomoto.com](http://www.hellomoto.com)

1-800-331-6456 (Estados Unidos)

1-888-390-6456 (TTY/TDD Estados Unidos  
para personas con problemas de audición)

1-800-461-4575 (Canadá)

El uso de dispositivos inalámbricos y sus accesorios puede estar prohibido o restringido en ciertas áreas. Obedezca siempre las leyes y regulaciones sobre el uso de estos productos.

MOTOROLA y el logotipo de la M estilizada están registrados en la Oficina de patentes y marcas registradas de los Estados Unidos.

Las marcas comerciales Bluetooth pertenecen a su propietario y son utilizadas por Motorola, Inc. bajo licencia. Todos los otros nombres de productos o servicios pertenecen a sus respectivos propietarios.

© Motorola, Inc., 2004.

Número de manual: 6809482A59-A

## **Garantías de la ley de exportaciones**

Este producto está controlado por las regulaciones de exportación de los Estados Unidos de América y de Canadá. Los gobiernos de Estados Unidos de América y Canadá pueden restringir la exportación o reexportación de este producto a ciertos destinos. Para obtener más información, póngase en contacto con el Departamento de Comercio de Estados Unidos o el Departamento de Asuntos extranjeros y Comercio internacional de Canadá.

## **Aviso de derechos de autor de software**

Los productos Motorola descritos en este manual pueden incluir software protegido por derechos de autor Motorola y de terceros almacenado en las memorias de los semiconductores u otros medios. Las leyes de Estados Unidos y otros países reservan para Motorola y para otros proveedores de software ciertos derechos exclusivos sobre el software protegido por derechos de autor, como los derechos exclusivos a distribuir o reproducir dicho software. En consecuencia, no podrá modificarse, someterse a operaciones de ingeniería inversa, distribuirse ni reproducirse de forma alguna, según lo permitido por la ley, ningún software protegido por derechos de autor contenido en los productos Motorola. Asimismo, no se considerará que la compra de productos Motorola otorgue en forma directa, implícita, por exclusión ni de ningún otro modo una licencia sobre los derechos de autor, patentes o aplicaciones de patentes de Motorola o ningún otro proveedor de software, excepto la licencia normal, no exclusiva y sin regalías de uso que surge de las consecuencias legales de la venta de un producto.

# Contenido

---

<b>Información general y de seguridad</b> . . . . .	101
<b>Introducción</b> . . . . .	108
¿Qué es la tecnología inalámbrica Bluetooth®?	108
Funciones del módulo inalámbrico . . . . .	109
<b>Uso del módulo inalámbrico</b> . . . . .	111
Carga de la batería. . . . .	111
Asociación del módulo inalámbrico con el teléfono . . . . .	116
Uso del módulo inalámbrico . . . . .	120
Ajuste del volumen . . . . .	123
Silenciar el micrófono . . . . .	123
Realización y recepción de llamadas. . . . .	124

Uso del LED del indicador del módulo. . . . .	131
Otras aplicaciones del adaptador del módulo inalámbrico. . . . .	137
Modo walkie-talkie . . . . .	139

# Información general y de seguridad

---

**INFORMACIÓN IMPORTANTE PARA UNA OPERACIÓN SEGURA Y EFICIENTE. LEA ESTA INFORMACIÓN ANTES DE UTILIZAR EL DISPOSITIVO.**

No se permite a los usuarios alterar o modificar el dispositivo de ninguna forma. Las alteraciones o modificaciones no aprobadas expresamente por la parte responsable por el cumplimiento podrían anular la autoridad del usuario para operar el equipo. Consulte CFR 47 Sec. 15.21.

Este dispositivo cumple con la parte 15 de las Normas de la FCC. Su funcionamiento está sujeto a las siguientes condiciones: (1) Este dispositivo no puede provocar interferencia dañina y (2) este dispositivo debe aceptar cualquier interferencia recibida, incluso aquella que pudiera provocar un funcionamiento no deseado. Consulte CFR 47 Sec. 15.19(3).

## Interferencia electromagnética y compatibilidad

**Nota:** Casi todos los dispositivos electrónicos son susceptibles de experimentar interferencia electromagnética (EMI) si no están protegidos, diseñados o configurados en forma adecuada para tener compatibilidad electromagnética.



## **Instalaciones**

Para evitar interferencia electromagnética o conflictos de compatibilidad, apague el dispositivo en cualquier instalación en que haya avisos que así lo indiquen. Las instalaciones de atención de salud y los hospitales pueden utilizar equipos que son sensibles a la energía de radio frecuencia externa.

## **Aviones**

Cuando reciba instrucciones para hacerlo, apague el dispositivo dentro de un avión. El uso de un dispositivo debe respetar las reglamentaciones aplicables según las instrucciones impartidas por el personal de la aerolínea.

## Dispositivos médicos

### **Prótesis auditivas**

Es posible que algunos dispositivos causen interferencia en algunas prótesis auditivas. En ese caso, solicite asesoramiento al fabricante de la prótesis auditiva para analizar las alternativas.

### **Otros dispositivos médicos**

Si usted utiliza cualquier otro dispositivo personal de uso médico, consulte al fabricante del dispositivo para determinar si está correctamente protegido contra las señales de radiofrecuencia. Su médico puede ayudarle a obtener esta información.

## Aviso de Industry Canada para los usuarios

Su funcionamiento está sujeto a las siguientes condiciones: (1) Este dispositivo no puede provocar interferencia y (2) Este dispositivo debe aceptar cualquier interferencia, incluso aquella que pudiera causar un funcionamiento no deseado del dispositivo según Ref IC: RSS 210 Sec. 5.11. El término "IC": antes del número de certificación o registro sólo significa que el registro se realizó en base a una Declaración de conformidad donde se indicaba que se cumplieron las especificaciones técnicas de Industry Canada. No quiere decir que Industry Canada haya aprobado el equipo. Consulte Ref IC Self-Marking 6(f) y RSP-100 Sec. 4.

# Aviso de la FCC para los usuarios

Este equipo ha sido probado y se comprobó que cumple con los límites para un dispositivo digital Clase B, en aplicación de lo dispuesto en la parte 15 de las Normas de la FCC. Estos límites están diseñados para proporcionar protección razonable contra interferencia dañina en una instalación residencial.

Este equipo genera, usa y puede irradiar energía de radiofrecuencia y, si no se instala y usa de acuerdo con las instrucciones, puede causar interferencia dañina a comunicaciones por radio. Sin embargo, no se garantiza que no ocurra interferencia en una instalación en particular. Si este equipo causa interferencia dañina en la recepción de radio o televisión, lo que se puede

descubrir encendiendo y apagando el equipo, se aconseja al usuario que intente corregir la interferencia siguiendo uno o más de los procedimientos indicados a continuación:

- Reoriente o ubique en otra parte la antena receptora.
- Aumente la separación entre el equipo y el receptor.
- Conecte el equipo a una toma de corriente o un circuito distinto al cual está conectado el receptor.
- Consulte al distribuidor o a un técnico experimentado de radio o TV para recibir ayuda.

# Introducción

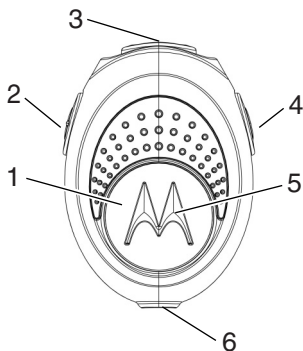
---

## ¿Qué es la tecnología inalámbrica Bluetooth<sup>®</sup>?

Bluetooth es la forma inalámbrica de conectar y transferir información entre los teléfonos móviles, los accesorios, las computadoras y otros dispositivos de comunicación. Este producto funciona en forma continua con cualquier teléfono accionado con Bluetooth.

Para obtener más información acerca de este producto u otros productos Bluetooth innovadores, visite [www.motorola.com/bluetooth](http://www.motorola.com/bluetooth).

# Funciones del módulo inalámbrico



## **1 Botón multifunción (MFB):**

controla múltiples funciones del audífono.

## **2 Botón para subir el volumen:**

ajusta el aumento de volumen del altavoz.

**3 Puerto de carga:** lugar para enchufar el cargador de la batería.

**4 Botón para bajar el volumen:** ajusta la disminución de volumen del altavoz.

**5 Indicador LED:** proporciona un estado visual del módulo inalámbrico.

**6 Enchufe del audífono:** permite enchufar el auricular y el micrófono.



# Uso del módulo inalámbrico

---

## Carga de la batería

### Cuándo cargar

**Uso por primera vez:** antes de que pueda usar el módulo inalámbrico, cargue la batería autónoma durante dos horas.

**Recarga:** cuando se escuchan cinco tonos altos rápidos, repetidos a intervalos de 20 segundos, será necesario recargar la batería del módulo inalámbrico.

Con el tiempo, las baterías se desgastan gradualmente y requieren mayores tiempos de carga. Esto es normal. Mientras más hable al teléfono con el módulo inalámbrico, la batería tendrá menos tiempo de espera.



Las baterías recargables que proporcionan la energía al módulo inalámbrico se deben desechar correctamente y puede ser necesario reciclarlas. Póngase en contacto con el centro de reciclaje local para conocer los métodos de desecho correctos.

**Advertencia:** Jamás arroje las baterías al fuego, ya que pueden explotar.

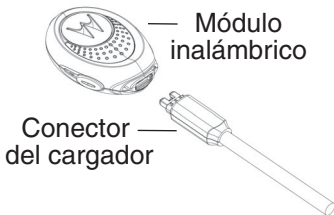
# Cómo cargar

## Acción

- 1 Saque el módulo inalámbrico de la correa para el cuello.

---

- 2 Conecte el cargador Motorola al módulo, con la lengüeta de liberación del cargador mirando hacia abajo y el módulo mirando hacia arriba.



## Acción

- 3 Conecte el otro extremo del cargador a una toma de corriente. Durante la carga, el indicador LED se enciende y permanece así hasta que se completa la carga. El módulo inalámbrico no funciona mientras se está cargando. La batería se carga completamente en aproximadamente dos horas.

---

  - 4 Cuando la carga esté completa (y se apague el indicador), retire el cargador de la toma de corriente, oprima la lengüeta de liberación y desconecte el cargador del módulo.
-

## Acción

- 5 Para encender el módulo inalámbrico, mantenga oprimido el MFB durante 3 segundos hasta que el LED destelle en forma rápida. Para apagar el módulo inalámbrico, mantenga oprimido el MFB durante 3 segundos hasta que el LED destelle en forma rápida y se apague.

---

**Nota:** También puede usar un adaptador de corriente para vehículos Motorola Original™ para cargar la batería del módulo inalámbrico cuando esté en su vehículo.

La batería cargada completamente proporciona aproximadamente:

- 5 horas de tiempo de conversación
- 100 horas de tiempo de reserva

# Asociación del módulo inalámbrico con el teléfono

**Nota:** Es necesario asociar el módulo inalámbrico y el teléfono antes de que pueda realizar una llamada.

La "asociación" crea un enlace entre los dispositivos con la tecnología inalámbrica *Bluetooth*, y permite que el teléfono recuerde el número de serie electrónico único del módulo inalámbrico. Cuando el módulo inalámbrico y el teléfono están asociados, el módulo inalámbrico se conecta en forma automática al teléfono cada vez que lo enciende.

# Instrucciones de asociación

Coloque el módulo inalámbrico y el teléfono cerca uno del otro:

## Acción

- 1 Con el módulo inalámbrico apagado, mantenga oprimido le MFB hasta que el LED quede encendido (aproximadamente 6 segundos).

---

- 2 Realice un *descubrimiento de dispositivo* desde el teléfono.  
*Para obtener más información acerca del descubrimiento de dispositivos para su teléfono, consulte la guía del usuario del teléfono.*

Cuando la exploración finalice, el teléfono mostrará los dispositivos encontrados.

## Acción

**3** De la lista de dispositivos encontrados, seleccione el Motorola HS830 y confirme según las indicaciones en pantalla.

---

**4** Cuando el teléfono lo solicite, ingrese la contraseña (0000) y confirme para asociar el módulo inalámbrico con el teléfono.

La identificación del dispositivo ahora está almacenada en la memoria del teléfono.

La asociación fue exitosa si el indicador del módulo inalámbrico destella rápidamente.

---

---



## Asociación a dispositivos adicionales

El módulo inalámbrico puede almacenar información de asociación para un máximo de 4 dispositivos distintos que cuenten con tecnología inalámbrica *Bluetooth*. La información de asociación se almacena en la memoria en una "Lista de dispositivos asociados" en el orden de ingreso. Cuando intenta asociar más de cuatro dispositivos, el módulo inalámbrico elimina de la lista el dispositivo asociado más antiguo.

Cualquiera de los cuatro dispositivos asociados puede iniciar una conexión con el módulo inalámbrico.

Este último sólo iniciará automáticamente una conexión (al encenderlo) con el **último** dispositivo con el que se **conectó**. Si desea

conectar el módulo inalámbrico a otro dispositivo de la lista de dispositivos asociados, inicie la conexión desde ese dispositivo. Si cualquiera de los cuatro dispositivos inicia una conexión con el módulo inalámbrico, se transformará en el "último conectado".

## Uso del módulo inalámbrico

Ponga el módulo inalámbrico en la correa para el cuello.

### **Acción**

- 1** Inserte el enchufe de 2.5 mm de la correa para el cuello en el conector del audífono en la parte inferior del módulo inalámbrico.
-

## **Acción**

- 2** Vuelva a oprimir el módulo inalámbrico para insertarlo en el sujetador de la correa para el cuello.

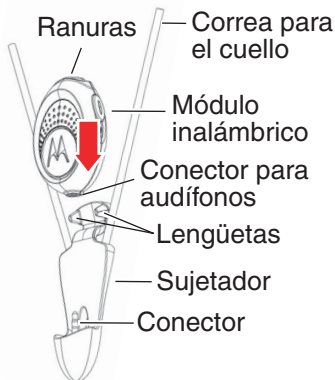
---

  - 3** Inserte las dos lengüetas del sujetador de la correa para el cuello en las ranuras de la parte superior del módulo inalámbrico.

---

  - 4** Coloque la correa para el cuello alrededor del cuello e inserte el auricular en el oído.
-

## Acción



# Ajuste del volumen

Para aumentar el volumen del módulo inalámbrico, oprima repetidamente el botón para aumentar el volumen hasta que alcance el nivel de volumen deseado.

Para disminuir el volumen del módulo inalámbrico, oprima repetidamente el botón para disminuir el volumen hasta que alcance el volumen deseado.

# Silenciar el micrófono

Puede silenciar el micrófono en su módulo inalámbrico durante una llamada.

Mantenga oprimidos los botones para subir y bajar el volumen durante

2 segundos hasta que escuche un bip.

Mantenga oprimido el botón para subir y bajar el volumen para activar el micrófono.

# Realización y recepción de llamadas

**Nota:** El uso de dispositivos inalámbricos y sus accesorios puede estar prohibido o restringido en ciertas áreas. Obedezca siempre las leyes y las regulaciones sobre el uso de estos productos.

El módulo inalámbrico soporta los perfiles manos libres y audífono. El acceso a las funciones de llamada depende del perfil que admita el teléfono.

**Nota:** Algunos teléfonos no admiten todas las funciones presentadas. Consulte la guía del usuario del teléfono.

Active las funciones de llamada de la siguiente forma:

<b>Función</b>		
<b>Teléfono</b>	<b>Audífono</b>	<b>Acción</b>
<b>Ingresar al modo de asociación (configuración)</b>		
Activado	Desactivado	Mantenga oprimido MFB hasta que el LED permanezca encendido. Otro dispositivo Bluetooth puede descubrir el módulo inalámbrico.
<b>Realizar una llamada de marcado por voz</b>		
Encendido en reposo	Activado	Oprima brevemente MFB, diga el nombre y el teléfono marcará la llamada

<b>Función</b>		
<b>Teléfono</b>	<b>Audífono</b>	<b>Acción</b>
<b>Remarcar un número</b>		
Encendido: marcado por voz activado o desactivado	Activado: (en reposo)	Oprima extendidamente MFB
<b>Finalizar una llamada</b>		
Activado: en llamada	Activado	Oprima brevemente MFB
<b>Poner la llamada activa en espera</b>		
Activado: en llamada	Activado	Oprima extendidamente MFB



<b>Función</b>		
<b>Teléfono</b>	<b>Audífono</b>	<b>Acción</b>
<b>Reanudar una llamada en espera</b>		
Activado: activar llamada en espera	Activado	Oprima extendidamente MFB
<b>Recibir una llamada</b>		
Activado: timbre del teléfono	Activado	Oprima brevemente MFB (la llamada se contesta)
<b>Rechazar una llamada</b>		
Activado: timbre del teléfono	Activado	Oprima extendidamente MFB
<b>Contestar una segunda llamada entrante</b>		

<b>Función</b>		
<b>Teléfono</b>	<b>Audífono</b>	<b>Acción</b>
Activado: durante una llamada, llega una segunda llamada	Activado	Presione extendidamente MFB; la primera llamada se pone en espera y se contesta la llamada entrante
<b>Alternar entre dos llamadas activas</b>		
Activado: durante una llamada, la segunda llamada en espera	Activado	Oprima extendidamente MFB
<b>Unir dos llamadas (llamada de tres vías)</b>		

<b>Función</b>		
<b>Teléfono</b>	<b>Audífono</b>	<b>Acción</b>
Activado: durante una llamada, la segunda llamada en espera	Activado	Oprima ambos botones de volumen al mismo tiempo. Se activarán ambas llamadas.
<b>Transferencia de una llamada del teléfono al módulo inalámbrico</b>		
Activado: en llamada	Activado	Oprima brevemente MFB (la llamada se transfiere al módulo inalámbrico)

<b>Función</b>		
<b>Teléfono</b>	<b>Audífono</b>	<b>Acción</b>
<b>Silenciar micrófono</b>		
Encendido durante llamada	Encendido	Mantenga oprimidos los botones para subir y bajar el volumen durante 2 segundos. Para activar, oprima cualquier botón de volumen.

**Nota:** Si el vínculo se desconecta de forma anormal (por ejemplo, al salir del alcance), el módulo inalámbrico intenta reestablecer el enlace.

# Uso del LED del indicador del módulo

Con el cargador conectado:

<b>Indicador</b>	<b>Estado</b>
ACT	Carga en curso
DES	carga completa

Sin cargador conectado:

<b>Indicador</b>	<b>Estado</b>
DES	Apagado
ACT (fijo)	Modo de asociación
10 destellos rápidos	Asociación exitosa

Indicador	Estado
Destella cada 3 segundos (0,1 segundo ACT; 2,9 segundos DES)	En reposo (no durante una llamada)
Pulsa a intervalos de 8 segundos (2,0 segundos ACT; 6,0 segundos DES)	Conectado (durante una llamada)

**Nota:** Cuando el módulo se asocia con el teléfono y no hay actividad durante 5 minutos, el LED destellante azul se apaga. Al oprimir cualquier botón del módulo se reiniciará el cronómetro y el destello se reanudará. Si oprime hacia arriba y abajo los botones de volumen al mismo tiempo durante una llamada, el LED de pulsos se apaga para el resto de esa llamada.

## Tonos de audio

<b>Tono</b>	<b>Estado del módulo inalámbrico</b>
Un tono alto al oprimir el botón de volumen	Se alcanzó el volumen máximo o mínimo
Cinco tonos altos rápidos, repetidos cada 20 segundos	Batería baja
Ninguna indicación sonora; deterioro de la calidad del audio	Fuera de alcance
Serie de 4 tonos, bajo a alto	Llamada activa
Tono de timbre	Llamada entrante

<b>Tono</b>	<b>Estado del módulo inalámbrico</b>
Un tono alto	Confirmación de asociación
Un tono bajo	Se inicia la activación por voz
Un tono alto y un tono bajo	No se reconoció la etiqueta de voz
Un tono alto	Fin de llamada
Serie de 4 tonos, alto a bajo	Enlace de audio cerrado (modo Audífono), llamada finalizada (modo manos libres)



<b>Tono</b>	<b>Estado del módulo inalámbrico</b>
Tono alto/bajo rápido cada 5 segundos (bip de confirmación de volumen mínimo y máximo)	sin red/servicio
Sin tono	encendido/apagado

El módulo inalámbrico emite una alerta sonora, de modo que no pierda una llamada entrante aun cuando el teléfono esté en un bolso o maletín. La alerta sonora se puede activar o desactivar al mantener oprimidos ambos botones de volumen durante tres segundos. Consulte la siguiente tabla para el funcionamiento.

**Nota:** desactivar la alerta sonora no afecta el funcionamiento del teléfono ni del auricular. Las alertas se escucharán en el altavoz del auricular si el teléfono no está programado en modo silencioso.

## **Acción**

- 1** Mantenga oprimidos los botones para subir y bajar el volumen durante tres segundos.

Tonos sonoros: tono alto - tono bajo

Resultado: alerta desactivada

---

- 2** Mantenga oprimidos los botones para subir y bajar el volumen durante tres segundos.

Tonos sonoros: tono bajo - tono alto

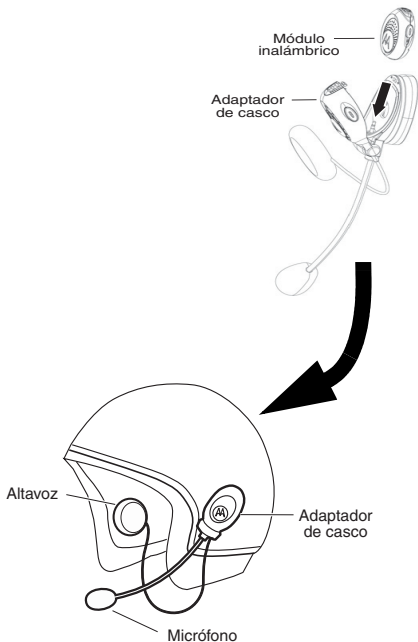
Resultado: alerta activada

---

---

# Otras aplicaciones del adaptador del módulo inalámbrico

El módulo inalámbrico también se puede usar como dispositivo de manos libres en un casco. El Adaptador de casco universal SYN0997, disponible en [www.motorola.com/bluetooth](http://www.motorola.com/bluetooth), se instala en casi todos los cascos para: motocicletas, scooters, esquí, snowboard. El módulo inalámbrico se desliza en el adaptador del casco creando un accesorio de manos libres para el casco. Para obtener más detalles, visite Motorola en línea.



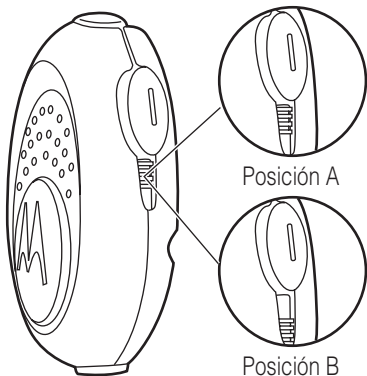
# Modo walkie-talkie

Se pueden configurar dos Módulos inalámbricos para la comunicación por voz totalmente duplicada entre sí. Por ejemplo, el conductor de una motocicleta se puede comunicar en forma inalámbrica con alguien que va sentado detrás.

Para usar esta función, se deben configurar dos módulos inalámbricos para funcionar como un par:

## Acción

- 1 En la unidad 1, mueva el interruptor A/B a la posición **A**.



- 
- 2 Mantenga oprimido el MFB para poner el módulo inalámbrico en el modo de asociación.
-

## Acción

- 3 En la unidad 2, ponga el interruptor A/B en la posición **B**.
- 4 Mantenga oprimido el MFB para poner el módulo inalámbrico en el modo de asociación.

Las dos unidades se encuentran en forma automática y se asocian entre sí. Los destellos rápidos en cada módulo inalámbrico indican que los dos módulos se asociaron en forma exitosa.

Se establece un canal de audio inalámbrico completamente doble y se activa el modo walkie-talkie.

---

---

## Consejos para el modo walkie-talkie

Cualquiera de las unidades asociadas puede activar o desactivar la conexión de audio para ahorrar energía al oprimir el MFB. La conexión Bluetooth se mantiene.

Los dos módulos recordarán esta asociación incluso después de que la segunda unidad cambia a la posición **A** y se usa con un teléfono móvil.

Cada módulo inalámbrico puede recordar un máximo de cuatro dispositivos asociados (teléfonos, PDA, computadoras portátiles y otros módulos inalámbricos) cuando está en la posición **A**.

El módulo inalámbrico recuerda sólo otro módulo inalámbrico cuando está en la posición **B**.





**motorola.com**

## Free Manuals Download Website

<http://myh66.com>

<http://usermanuals.us>

<http://www.somanuals.com>

<http://www.4manuals.cc>

<http://www.manual-lib.com>

<http://www.404manual.com>

<http://www.luxmanual.com>

<http://aubethermostatmanual.com>

Golf course search by state

<http://golfingnear.com>

Email search by domain

<http://emailbydomain.com>

Auto manuals search

<http://auto.somanuals.com>

TV manuals search

<http://tv.somanuals.com>