

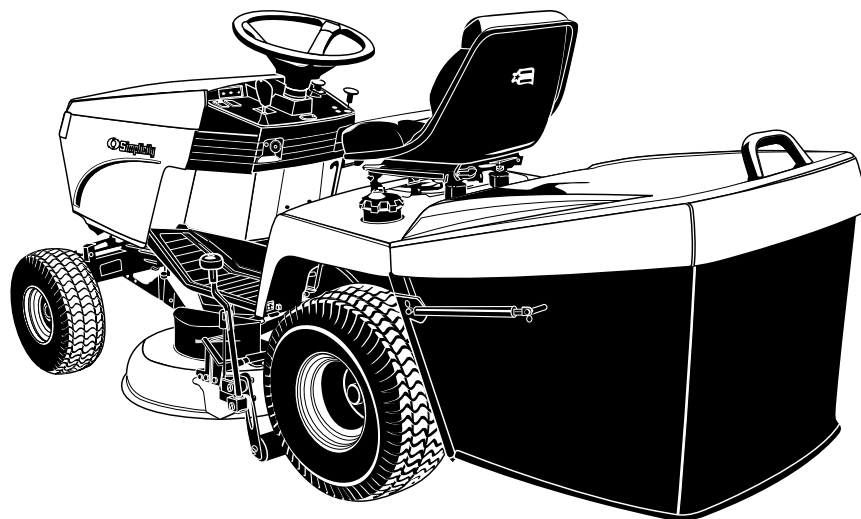


Parts Manual



MASSEY FERGUSON
LAWN & GARDEN EQUIPMENT

AGCO



BARON

SERIES LAWN TRACTORS & MOWER DECKS

18HP V-TWIN TRACTORS

Mfg. No.	Description
1693583	18V HP Baron
1693494	18V HP Baron (Export)
1693686	18V HP Baron (Export)

MOWER DECKS

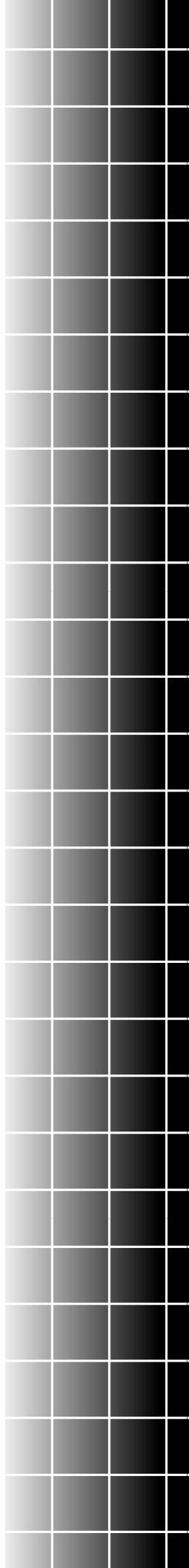
Mfg. No.	Description
1693554	40" Mower Deck
1693560	40" Mower Deck
1693585	40" Mower Deck
1693575	102 cm Mower Deck (Export)

Simplicity

MANUFACTURING, INC.

500 N Spring Street / PO Box 997
Port Washington, WI 53074-0997 USA

© Copyright 1999 Simplicity Manufacturing, Inc.
All Rights Reserved. Printed In USA.



This Manual Covers The Following Products:

18HP LAWN TRACTORS

	PAGES
1693583 Baron, 18HP	2, 4, 8, 10, 14,
1693494 Baron, 18HP (Export)	16, 18, 20, 22,
1693686 Baron, 18HP (Export)	24, 26, 28, 30, 32.

40" (102 cm) MOWER DECKS

	PAGES
1693554 40" Mower Deck	34, 36, 38, 40,
1693560 40" Mower Deck	42, 44, 46.
1693585 40" Mower Deck	
1693575 102 cm Mower Deck (Export)	

LAWN TRACTOR COMPONENTS

Frame & Front Axle Group	.2
Steering Group	.4
Engine Group	.6
Transmission Drive & Carrier Group	.8
Transmission Service Parts -	
Tuff Torq K51 Transaxle	.10
Foot Controls Group	.14
Hand Controls Group	.16
Hood, Grille & Dash Group	.18
Seat, Seat Deck & Fuel Tank Group	.20
Hopper Group	.22
Electrical Group – Lower Harness	.24
Electrical Group – Upper Harness	.26
Wheels & Tires Group	.28
Decals Group	.30
Decals Group (Export)	.32

MOWER DECK COMPONENTS

40" (102 cm) Mower Deck - Housing, Arbors & Blades (Serial No. 0001-1999)	.34
40" (102 cm) Mower Deck - Housing, Arbors & Blades (Serial No. 2000-2999)	.36
40" (102 cm) Mower Deck - Housing, Arbors & Blades (Serial No. 3000 and above)	.38
40" (102 cm) Mower Deck - Belt, Clutch & Support (Serial No. 0001-1999)	.40
40" (102 cm) Mower Deck - Belt, Clutch & Support (Serial No. 2000 and above)	.42
40" (102 cm) Mower Deck - Height Adjustment & Rollers - (Earlier Models)	.44
40" (102 cm) Mower Deck - Height Adjustment & Rollers - (Later Models)	.46

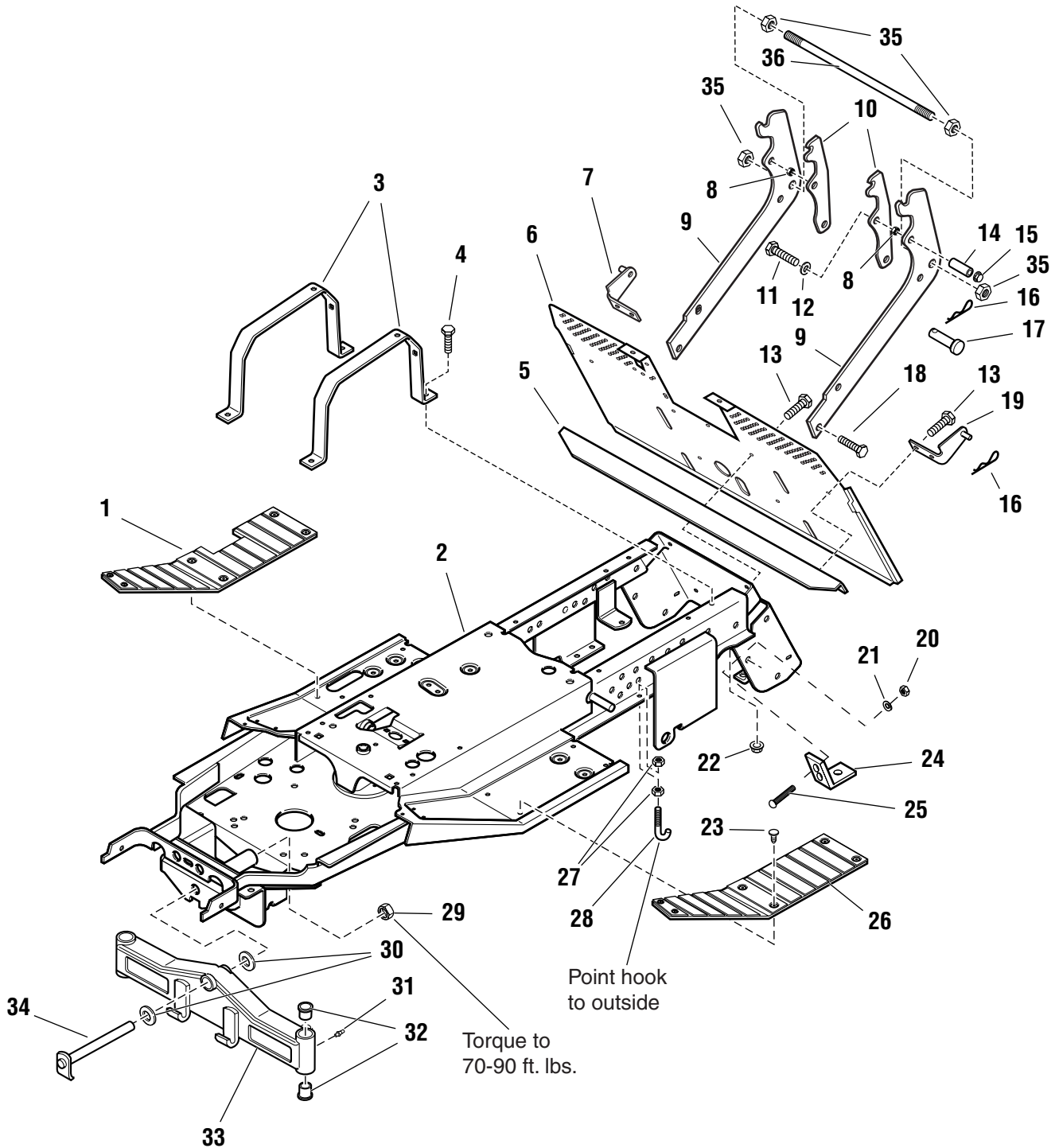
REFERENCE INFORMATION:

Part Number Index	.48
Torque Specification Chart	.Inside Back Cover

Frame & Front Axle Group

985544

NOTE: Unless noted otherwise, use the standard hardware torque specification chart.



The above parts group applies to the following Mfg. Nos.:

- 1693583 Baron, 18HP Tractor
- 1693494 Baron, 18HP Tractor (Export)
- 1693686 Baron, 18HP Tractor (Export)

Frame & Front Axle Group

REF NO.	PART NO.	QTY.	DESCRIPTION
1	1717936	1	PAD, Footrest, R H
2	1719355	1	FRAME ASSEMBLY
3	1720041	2	STRAP, Fuel Tank
4	1960373	4	CAPSCREW, Hex Washer Head, Taptite, 5/16-18 x 1
5	1719966	1	SUPPORT, Brace
6	1722092	1	BACKPLATE, Grass Bag
7	1721171	1	BRACKET & PIVOT ASSEMBLY, R H Cylinder
8	1666697	2	SPACER
9	1721172	2	SUPPORT, Hopper
10	1719731	2	LATCH, Support
11	1960590	2	CAPSCREW, Hex Head, 5/16-18 x 3
12	1919326	2	WASHER, Flat, 5/16
13	1930601	9	CAPSCREW, Hex Washer Head, Taptite, 5/16-18 x 3/4
14	1713447	2	SPACER
15	1927557	2	NUT, Hex Flange Whizlock, 5/16-18
16	1960074	4	CLIP, Hair Pin
17	1708298	2	PIN, Round Head Drilled, 3/8 X 1
18	1960043	4	CAPSCREW, Hex Flange Whizlock, 7/16-14 x 1
19	1721169	1	BRACKET & PIVOT ASSEMBLY, L H Cylinder
20	1916950	2	NUT, Hex, 3/8-16
21	1916965	2	LOCKWASHER, Spring, 3/8
22	1935041	4	NUT, Hex Flange Whizlock, 7/16-14
23	1704351	13	FASTENER, Panel
24	1719972	1	DRAWBAR
25	1931350	2	CARRIAGE BOLT, 3/8-16 x 1
26	1704311	1	PAD, Footrest, L H
27	1931277	2	NUT, Hex Flange 5/16-18
28	1679385	1	HOOK-J
29	1960270	1	NUT, Hex Full Lock, 3/4-16
30	960530	2	WASHER, Special, 7/8 x 1-3/4 x 1/16
31	1704314	2	FITTING, Grease
32	176440	4	BUSHING, Nylon
33	1703475	1	AXLE ASSEMBLY, Front
34	1718856	1	SHAFT & LOCK ASSEMBLY, Axle Pivot
35	1916951	4	NUT, Hex 1/2-13
36	1721174	1	ROD, Support

Footnotes:

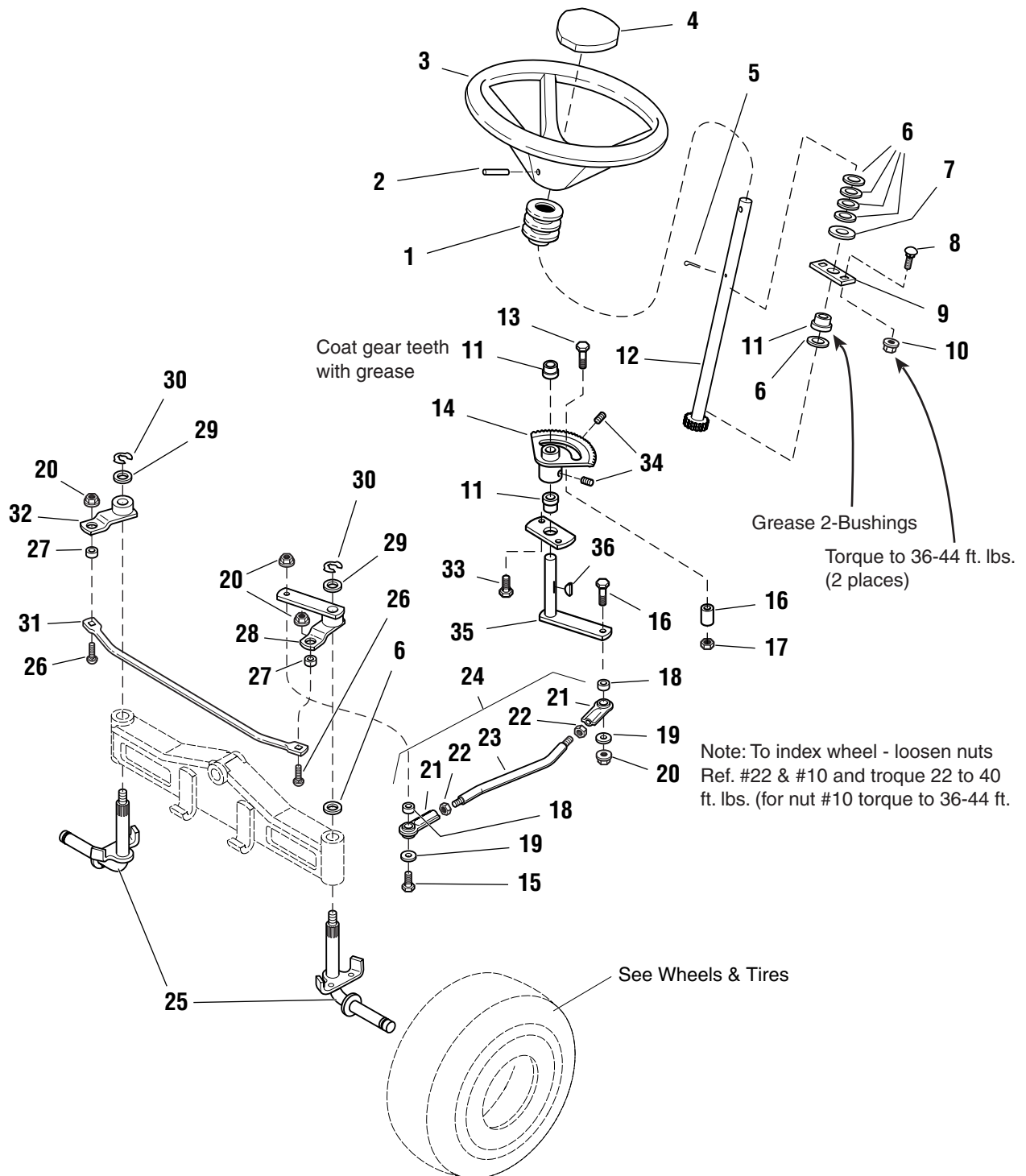
The above parts group applies to the following Mfg. Nos.:

1693583 Baron, 18HP Tractor
1693494 Baron, 18HP Tractor (Export)
1693686 Baron, 18HP Tractor (Export)

Steering Group

985647

NOTE: Unless noted otherwise,
use the standard hardware torque
specification chart.



The above parts group applies to the following Mfg. Nos.:

- 1693583 Baron, 18HP Tractor
- 1693494 Baron, 18HP Tractor (Export)
- 1693686 Baron, 18HP Tractor (Export)

Steering Group

REF NO.	PART NO.	QTY.	DESCRIPTION
1	1714400	1	TUBE, Flexible Black Rubber
2	1960540	1	PIN, Spring, 5/16 x 2-1/2
3	1719471	1	WHEEL, Steering
4	1719810	1	CAP, Steering Wheel
5	1919314	1	PIN, Cotter, 3/16 x 1-1/4
6	1960114	7	WASHER, 3/4
7	1960529	1	WASHER, Plain, 1 x 1-1/2 x .07
8	1931350	2	CARRIAGE BOLT, 3/8-16 x 1
9	1703508	1	PLATE, Mounting, Steering
10	1928352	2	NUT, Hex Flange Whizlock, 3/8-16
11	176440	3	BUSHING, Nylon
12	1720122	1	SHAFT & GEAR ASSEMBLY, Steering
13	1921221	1	CAPSCREW, Hex Head, 5/16-18 x 1-1/2
14	1703513	1	GEAR & HUB ASSEMBLY, Steering
15	1921968	2	CAPSCREW, Hex Head, 3/8-16 x 1-3/8
16	1673796	1	SPACER
17	1919438	1	NUT, Hex Lock ESNA Light, 5/16-18
18	1708236	2	SPACER
19	1922755	2	WASHER, 3/8
20	1930645	4	NUT, Hex Flange Two-Way Lock, 3/8-16
21	1702779	2	JOINT, Ball
22	1919262	2	NUT, Hex Jam 1/2-20
23	1708084	1	DRAG LINK
24	1685478	1	DRAG LINK ASSEMBLY, (Includes Ref. Nos. 21, 22 & 23)
25	1715308	2	SPINDLE ASSEMBLY
26	1921968	2	CAPSCREW, 3/8-16x x1-3/8
27	1611705	2	SPACER
28	1706997	1	STEERING ARM ASSEMBLY, L H
29	1960020	2	WASHER
30	1704420	2	KLIPRING, 5/8
31	1706956	1	TIE ROD
32	1706996	1	STEERING ARM ASSEMBLY, R H
33	1960373	2	CAPSCREW, Hex Head, Taptite, 5/16-18 x 1
34	1928721	2	SET SCREW, Square Head, 5/16- 18 x 1/2
35	1928721	1	PITMAN ARM ASSEMBLY
36	930670	1	KEY, Hi-Pro

Footnotes:

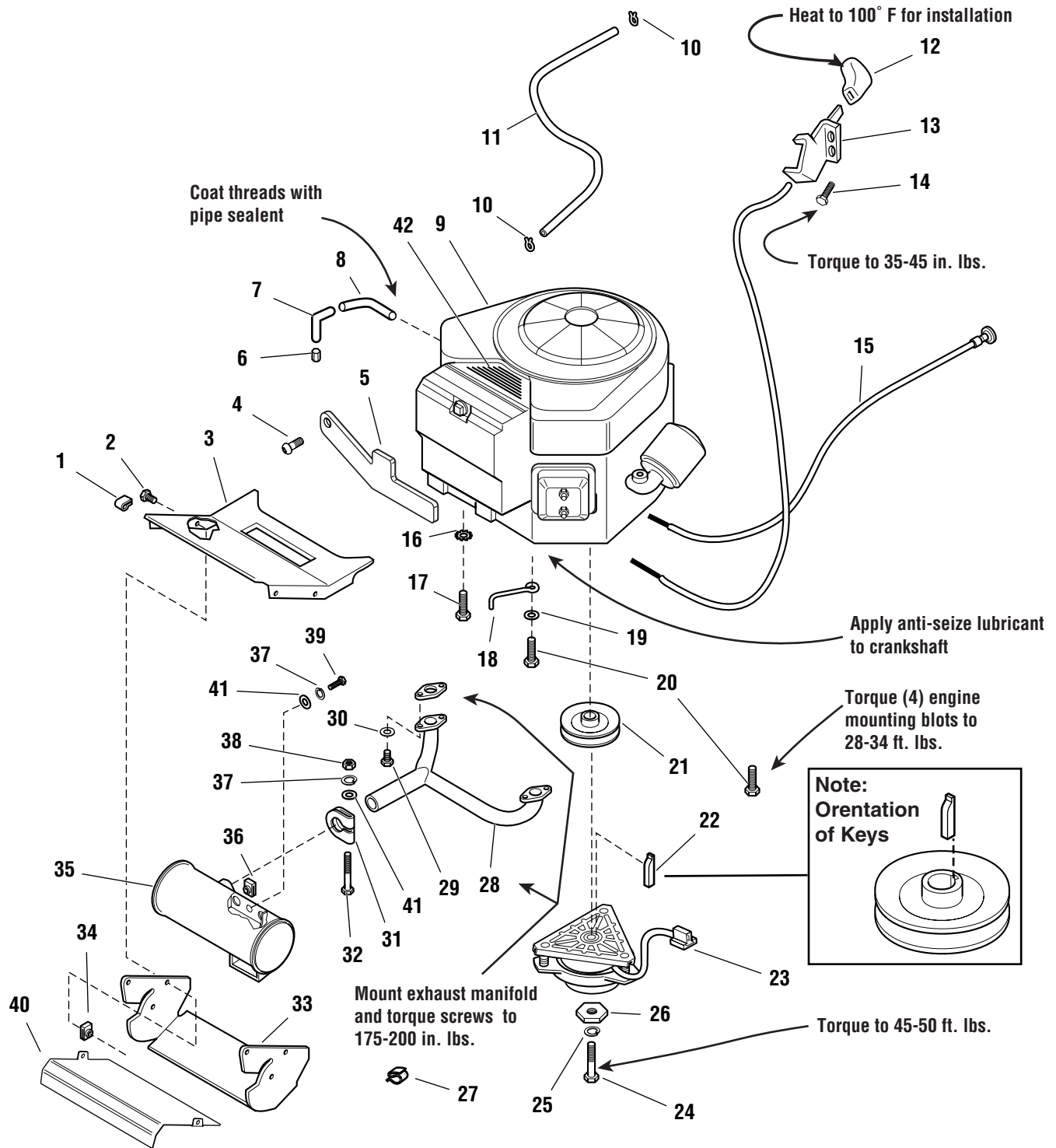
The above parts group applies to the following Mfg. Nos.:

1693583 Baron, 18HP Tractor
1693494 Baron, 18HP Tractor (Export)
1693686 Baron, 18HP Tractor (Export)

Engine Group

985543A_985707

NOTE: Unless noted otherwise,
use the standard hardware torque
specification chart.



The above parts group applies to the following Mfg. Nos.:

- 1693583 Baron, 18HP Tractor
- 1693494 Baron, 18HP Tractor (Export)
- 1693686 Baron, 18HP Tractor (Export)

Engine Group

REF NO.	PART NO.	QTY.	DESCRIPTION
1	934683	1	CLIP, Speed Wire
2	1960295	4	CAPSCREW, Hex Flange Whizlock, 1/4-20 x 5/8
3	1707334	1	DUCT, Muffler, Top
4	1960624	1	CAPSCREW, Pan Head, Torx, #10-32 x 1/2 (Early Models)
5	1720507	1	BRACKET, Flat (Early Models)
6	1667346	1	CAP, Hex, 3/8-18NPT
7	1673453	1	FITTING, Pipe Elbow Street
8	1720017	1	PIPE, Oil Drain
9	*	1	ENGINE, 18.0HP B&S INTEK
10	960112	2	CLAMP, Hose, 1/2 Diameter Type E
11	1718678	1	HOSE, Fuel
12	1713846	1	KNOB, Soft
13	1714068	1	CONTROL, Throttle 3/16 Cable 35-3/4 Long, No Knob
13	1721446	1	CONTROL, Throttle 3/16 Cable 35-3/4 Long, No Knob (Export)
14	1960536	2	CAPSCREW, Hex Washer Head, 1/4 x 1/2
15	1708764	1	CONTROL, Choke 3/16 Cable 39-1/2 Long w/Knob
16	920427	1	LOCKWASHER, External Tooth, 3/8
17	930598	1	CAPSCREW, Hex Washer Head, Taptite, 3/8-16 x 1-1/2
18	1704419	1	STOP, Belt
19	1924940	1	WASHER, 3/8
20	1930598	3	CAPSCREW, Hex Washer Head, Taptite, 3/8-16 x 1-1/2
21	1713187	1	PULLEY & HUB ASSEMBLY
22	105337	1	KEY, HI PRO, 1/4 x 2.000
23	1720532	1	CLUTCH, Electric
24	1960370	1	CAPSCREW, Hex Head, 7/16-20 x 2-1/2
25	1918199	1	LOCKWASHER, Spring, 7/16
26	1708264	1	WASHER, Hex
27	172434	1	CLIP, Speed Wire
28	1720110	1	MANIFOLD, Exhaust
29	1936228	4	CAPSCREW, Hex Head, 5/16-18 x 3/4 G8
30	1919326	2	WASHER, 5/16
31	1676183	1	CLAMP, Exhaust
32	1931342	1	CARRIAGE BOLT, 5/16-18 x 2-3/4
33	1704357	1	DUCT, Muffler, Bottom
34	1960368	4	NUT, Speed, 1/4-20 Lug
35	1720109	1	MUFFLER
36	1935255	1	NUT, Speed, 5/16-18 LUG
37	1917356	6	LOCKWASHER, Spring, 5/16
38	1917372	1	NUT, Hex, 5/16-18
39	1921333	1	CAPSCREW, Hex Head, 5/16-18 x 1.000
40	1721202	1	BAFFLE, Muffler
41	1919326	2	WASHER, 5/16
42	1721987	1	DECAL, 18HP Brigga & Stratton INTEK

Footnotes:

* Contact your Briggs & Stratton distributor for repair parts.

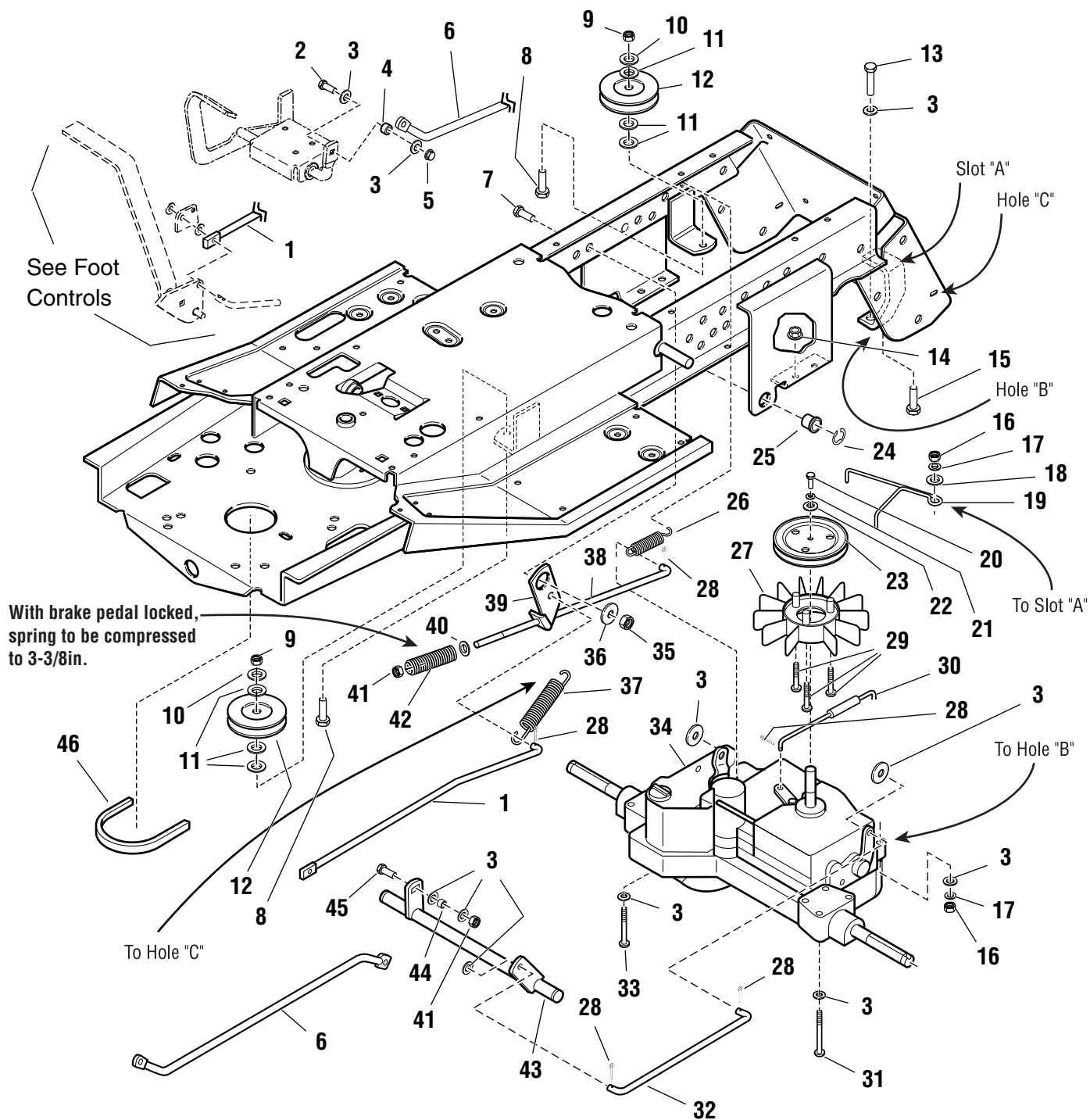
The above parts group applies to the following Mfg. Nos.:

1693583 Baron, 18HP Tractor
1693494 Baron, 18HP Tractor (Export)
1693686 Baron, 18HP Tractor (Export)

Transmission Drive & Carrier Group - Tuff Torq Model K51

985545

NOTE: Unless noted otherwise, use the standard hardware torque specification chart.



The above parts group applies to the following Mfg. Nos.:

- 1693583 Baron, 18HP Tractor
- 1693494 Baron, 18HP Tractor (Export)
- 1693686 Baron, 18HP Tractor (Export)

Transmission Drive & Carrier Group - Tuff Torq Model K51

REF NO.	PART NO.	QTY.	DESCRIPTION
1	1720019	1	ROD, Front Brake
2	1923325	1	CAPSCREW, Hex Head, 5/16-18 x 7/8
3	1919326	12	WASHER
4	1703900	1	SPACER
5	1935048	1	NUT, Hex Flange Two-Way Lock, 5/16-18
6	1719268	1	ROD, Pedal
7	1921210	1	CAPSCREW, Hex Head, 3/8-16 x 1
8	1931352	2	CARRIAGE BOLT, 3/8-16 x 1-1/2
9	1916950	2	NUT, Hex, 3/8-16
10	1916965	2	LOCKWASHER, 3/8
11	1924940	6	WASHER, 3/8
12	174561	2	PULLEY
13	1922127	1	CAPSCREW, Hex Head, 5/16-18 x 1-3/4
14	1935048	4	NUT, Hex Flange Two-Way Lock, 5/16-18
15	1960223	1	CARRIAGE BOLT, 5/16-18 x 1-1/4
16	1917372	2	NUT, Hex, 5/16-18
17	1917356	2	LOCKWASHER, 5/16
18	1919381	1	WASHER
19	1719993	1	GUIDE, Belt
20	1960613	1	CAPSCREW, Hex Head, M06-1.00 x 20MM 8.8
21	1916964	1	LOCKWASHER, 1/4
22	1960353	1	WASHER, 1/4
23	1719902	1	PULLEY & HUB ASSEMBLY
24	927794	2	RING-E
25	176440	2	BUSHING, Nylon
26	106681	1	SPRING, Extension
27	1717425	1	FAN
28	1918447	5	PIN, Cotter, 3/32 x 3/4
29	1930810	3	CAPSCREW, Hex Washer Head Taptite, 1/4-20 x 1-1/2
30	1719312	1	ROD, Dump Valve
31	1960590	2	CAPSCREW, Hex Head, 5/16-18 x 3
32	1719269	1	ROD, Transmission
33	1921719	2	CAPSCREW, Hex Head, 5/16-18 x 2-1/2
34	1720108	1	TRANSMISSION ASSEMBLY, Tuff Torq K51
35	1922694	1	NUT, Hex Lock ESNA Heavy, 3/8-16
36	1714255	1	SPACER
37	1706553	1	SPRING, Extension
38	1720018	1	ROD, Rear Brake
39	1720022	1	ARM, Brake Pivot
40	1924874	1	WASHER
41	1919438	2	NUT, Hex Lock ESNA Light, 5/16-18
42	1663136	1	SPRING, Compression
43	1719253	1	SHAFT & ARMS ASSEMBLY
44	1666697	1	SPACER
45	1931335	1	CARRIAGE BOLT, 5/16-18X1
46	1720036	1	V-BELT

Footnotes:

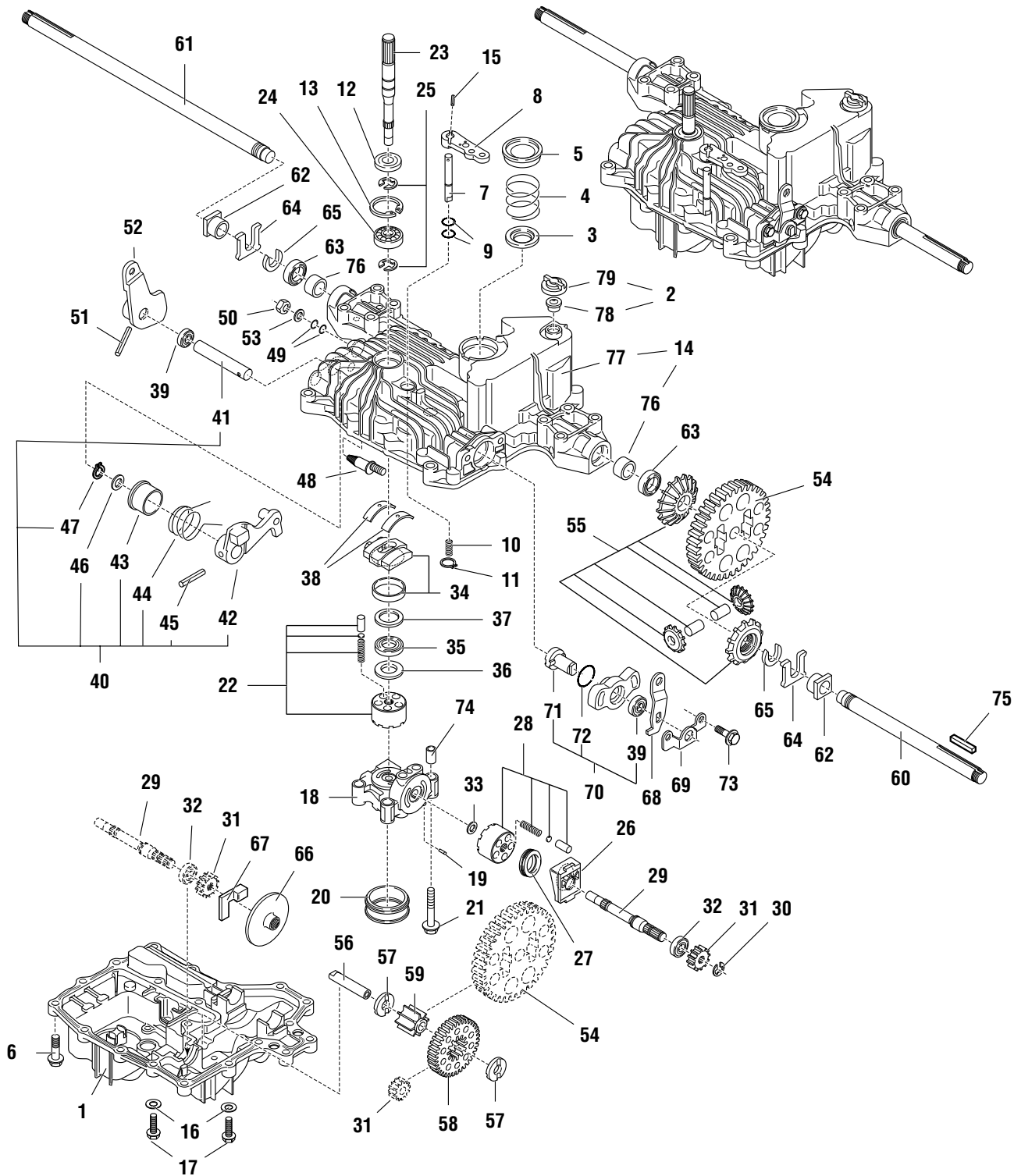
The above parts group applies to the following Mfg. Nos.:

1693583 Baron, 18HP Tractor
1693494 Baron, 18HP Tractor (Export)
1693686 Baron, 18HP Tractor (Export)

Transmission Service Parts - Tuff Torq K51 Transaxle

1720108

NOTE: Unless noted otherwise, use the standard hardware torque specification chart.



The above parts group applies to the following Mfg. Nos.:

- 1693583 Baron, 18HP Tractor
- 1693494 Baron, 18HP Tractor (Export)
- 1693686 Baron, 18HP Tractor (Export)

Transmission Service Parts - Tuff Torq K51 Transaxle

REF NO.	PART NO.	QTY.	DESCRIPTION
1	1721176	1	HOUSING, LOWER TUFF TORQ
2	1718052	1	VENT VALVE, 15 (includes Ref. Nos. 78 & 79)
3	1718053	1	FILTER, DISC
4	1718054	1	SPRING, FILTER
5	1718055	1	SEALING CAP, 50
6	1707789	20	SCREW, TAPPING
7	1720417	1	SHAFT, BYPASS
8	1720418	1	LEVER, BYPASS
9	1708691	2	PACKING
10	1720419	1	SPRING, 8
11	1718061	1	RING
12	1708651	1	SEAL
13	1708650	1	RING, 35
14	1720420	1	HOUSING, UPPER ASSEMBLY, Complete (Includes Ref. Nos. 76 & 77)
15	1707839	1	PIN, ROLL
16	1708649	2	WASHER, SEAL 8
17	1708653	2	BOLT
18	1721177	1	CASE, CENTER A
19	1718070	1	PIN, 3 x 9.8
20	1718071	1	FILTER, 40U
21	1708667	3	BOLT, 10 60
22	1718073	1	CYLINDER BLOCK
23	1720424	1	PUMP SHAFT, TAPERED
24	1708673	1	BEARING
25	1718076	2	RING, E15
26	1718077	1	HOUSING
27	1718078	1	BEARING, 51106
28	1718079	1	CYLINDER BLOCK
29	1718080	1	SHAFT, MOTOR
30	1718081	1	E-RING
31	1720425	1	MOTOR GEAR
32	1718083	1	BEARING, 6202UC3
33	1718084	1	WASHER, 12 x 24 x 1
34	1720426	1	SWASH PLATE ASSEMBLY
35	1718086	1	BEARING, K81105
36	1718087	1	THRUST PLATE, A
37	1718088	1	THRUST PLATE, B
38	1718089	2	THRUST METAL
39	1718120	2	SEAL, TC162606
40	1721178	1	SHAFT ASSEMBLY, CONTROL (Includes ref. Nos. 41, 42, 43, 44, 45, 46 & 47)
41	1721179	1	SHAFT, CONTROL
42	1721965	1	CONTROL ARM, B
43	1721181	1	COLLAR, CONTROL
44	1721182	1	SPRING, TORSION
45	1718097	1	PIN, 6.0A x 25
46	1721966	1	WASHER, 17 x 30 x 1
47	1707912	1	RING
48	1721184	1	FULCRUM ECCENTRICITY

Footnotes:

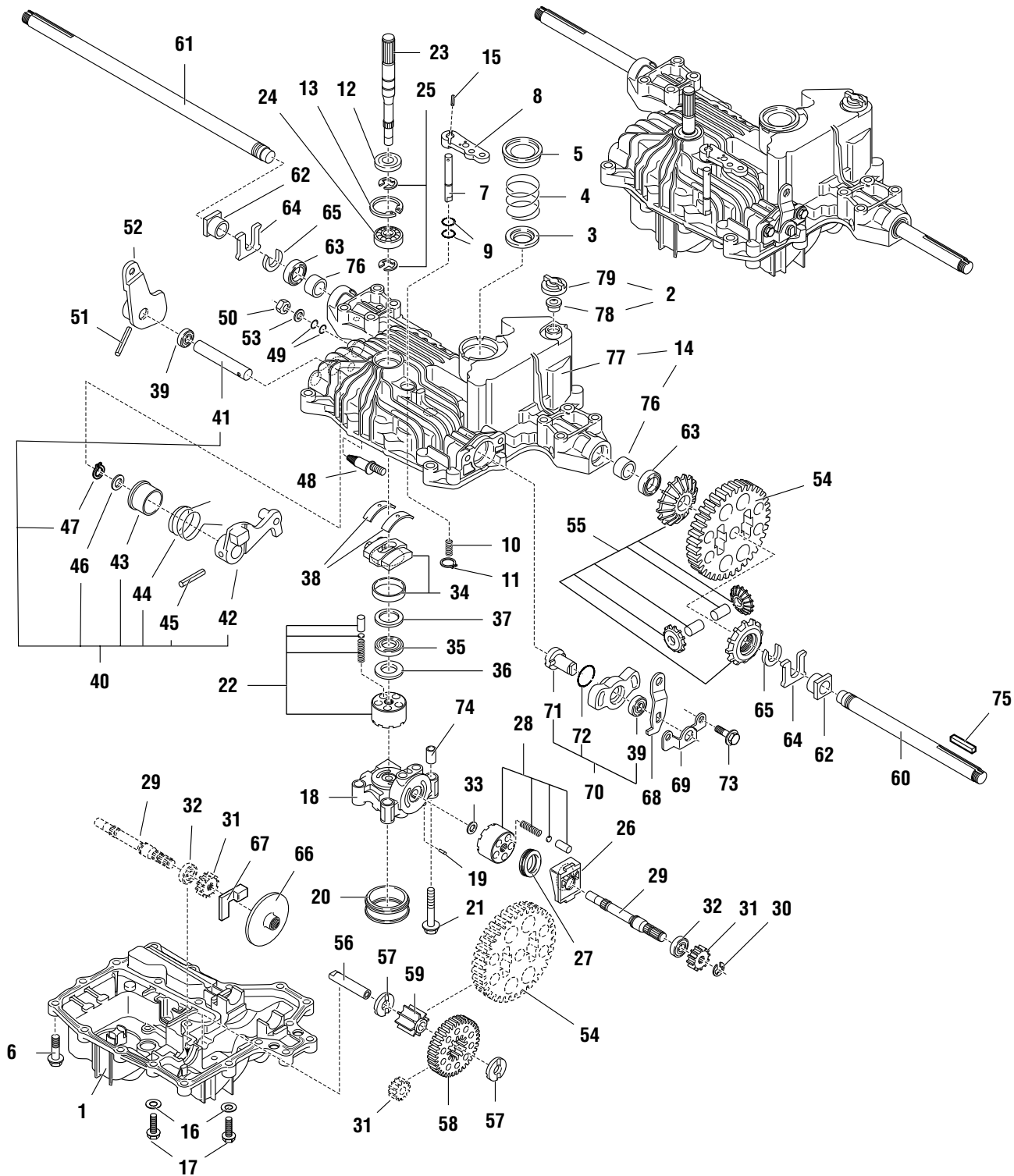
The above parts group applies to the following Mfg. Nos.:

- 1693583 Baron, 18HP Tractor
- 1693494 Baron, 18HP Tractor (Export)
- 1693686 Baron, 18HP Tractor (Export)

Transmission Service Parts - Tuff Torq K51 Transaxle

1720108

NOTE: Unless noted otherwise,
use the standard hardware torque
specification chart.



The above parts group applies to the following Mfg. Nos.:

- 1693583 Baron, 18HP Tractor
- 1693494 Baron, 18HP Tractor (Export)
- 1693686 Baron, 18HP Tractor (Export)

Transmission Service Parts - Tuff Torq K51 Transaxle

REF NO.	PART NO.	QTY.	DESCRIPTION
49	1707879	2	PACKING
50	1708692	1	NUT, 12
51	1718100	1	PIN, 6.0A x 4.0
52	1718101	1	LEVER, CONTROL
53	1708689	1	WASHER
54	1718102	1	GEAR, FINAL
55	1718103	1	GEAR KIT, Differential
56	1718104	1	SHAFT, REDUCTION
57	1720439	2	WASHER, 12 x 32 x 3.2
58	1720440	1	GEAR, REDUCITON
59	1718107	1	PINION, FINAL
60	1720441	1	AXLE SHAFT, L H
61	1718109	1	AXLE SHAFT, R H
62	1718110	2	BUSHING, 19 x 21
63	1718111	2	SEAL, 19 x 32 x 8
64	1718112	2	WASHER, THRUST
65	1718113	2	RING, 17
66	1718114	1	DISC BRAKE
67	1718115	1	SHOE, BRAKE
68	1721185	1	ARM, BRAKE
69	1718119	1	PLATE, BRAKE
70	1720442	1	KIT, BRAKE CAM (Includes ref. Nos. 39, 71 & 72)
71	1718117	1	SHAFT, BRAKE
72	1718121	1	PACKING, P29
73	1718122	2	BOLT, 8 x 30
74	1718069	2	KNOCK PIN, 12 x 22
75	1717749	2	KEY, Parrallel Pin, 3/16 x 3/16 x 2
76	*	2	BUSHING, 19.02
77	*	1	UPPER HOUSING
78	*	1	BODY, Vent Valve
79	*	1	CAP, Vent Valve

Footnotes:

* Not a serviceable part.

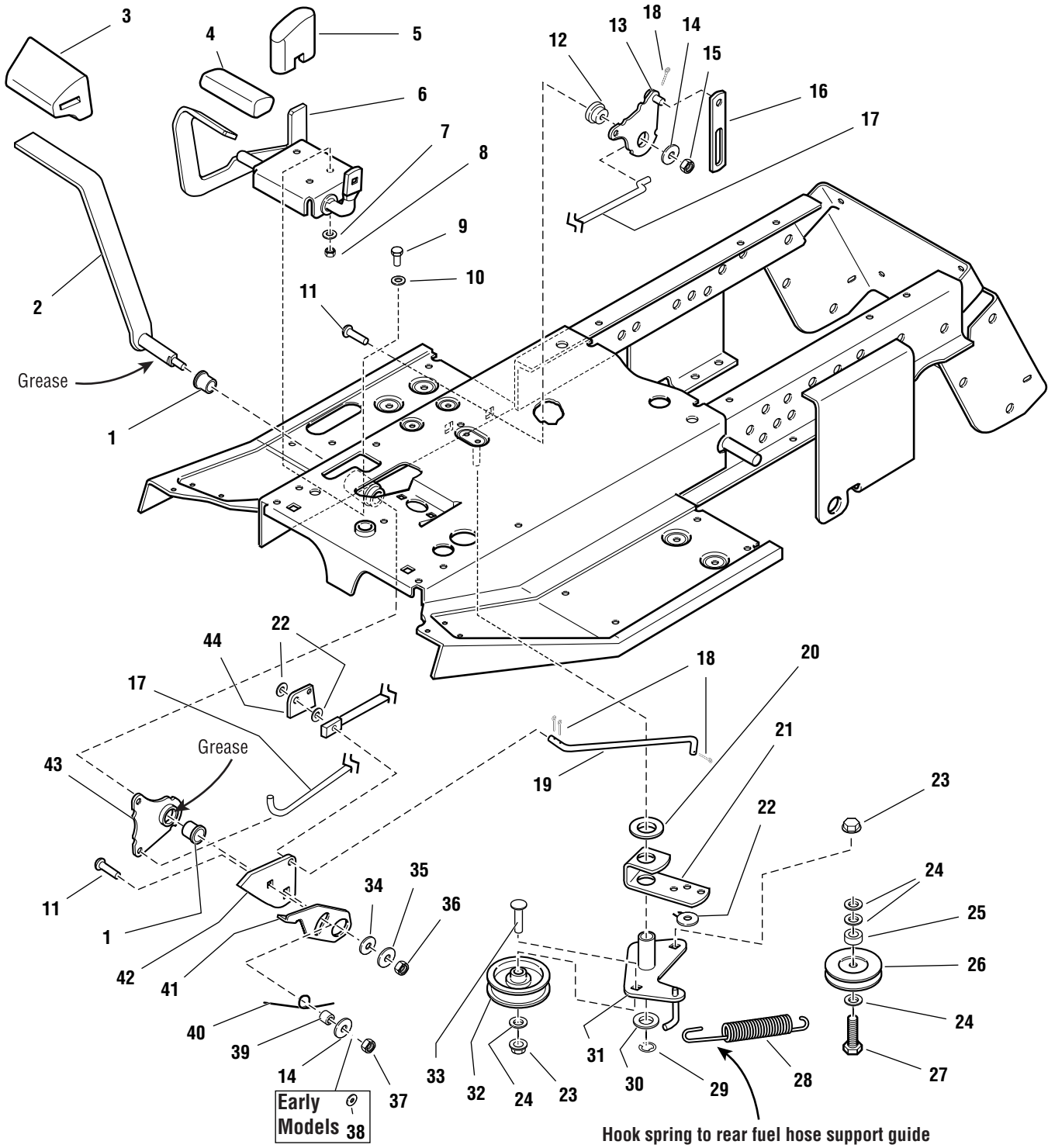
The above parts group applies to the following Mfg. Nos.:

1693583 Baron, 18HP Tractor
1693494 Baron, 18HP Tractor (Export)
1693686 Baron, 18HP Tractor (Export)

Foot Controls Group

985547Foot

NOTE: Unless noted otherwise, use the standard hardware torque specification chart.



The above parts group applies to the following Mfg. Nos.:

- 1693583 Baron, 18HP Tractor
- 1693494 Baron, 18HP Tractor (Export)
- 1693686 Baron, 18HP Tractor (Export)

Foot Controls Group

REF NO.	PART NO.	QTY.	DESCRIPTION
1	1663114	2	BUSHING, Nylon
2	1717765	1	PEDAL & SHAFT ASSEMBLY, Brake
3	1718944	1	PAD, Foot Pedal, Black Rubber
4	1715834	1	PEDAL, Foot Forward, Black Rubber
5	1715835	1	PEDAL, Foot Reverse, Black Rubber
6	1720007	1	PEDAL ASSEMBLY, Foot
7	1916965	2	LOCKWASHER, 3/8
8	1916950	2	NUT, Hex, 3/8-16
9	1960136	2	CAPSCREW, Hex Head, 3/8-16 x 1
10	920427	2	LOCKWASHER, External Tooth, 3/8
11	1931337	3	CARRIAGE BOLT, 5/16-18 x 1-1/4
12	1704629	1	SPACER
13	1720233	1	CAM & WELD PIN ASSEMBLY, Lift
14	1960044	2	WASHER, 5/16
15	1919438	1	NUT, Hex Lock ESNA Light, 5/16-18
16	1704756	1	LINK, LIFT, Upper
17	1718014	1	LINK, Lift
18	1918447	4	PIN, Cotter, 3/32 X 3/4
19	1720224	1	ROD, Clutch 2 Bends
20	1960070	1	WASHER, 1
21	1719271	1	LEVER, Clutch Painted
22	1919326	4	WASHER, 5/16
23	1928352	2	NUT, Hex Flange Whizlock, 3/8-16
24	1924940	4	WASHER, 3/8
25	1667811	1	SPACER
26	174561	1	PULLEY
27	1921971	1	CAPSCREW, 3/8-16 x 1-3/4
28	1718016	1	SPRING, Extension
29	1704420	1	RING, Extension Klipping
30	1960020	1	WASHER, 5/8
31	1717769	1	PIVOT ASSEMBLY, Idler
32	1721133	1	PULLEY, Idler
33	1931353	1	CARRIAGE BOLT, 3/8-16 x 1-3/4
34	1922755	1	WASHER, 3/8
35	1922611	1	WASHER, 3/8
36	1960339	1	NUT, Hex Lock ESNA Light, 3/8-16
37	1923362	1	NUT, Hex Center Lock, 5/16-18
38	1917356	1	LOCKWASHER, 5/16 (Early Models)
39	1720882	1	SPACER
40	1720724	1	SPRING, Torsion
41	1709950	1	ACTUATOR, Switch
42	1717767	1	ARM, Foot Pedal
43	1717186	1	CAM, Lift Painted
44	1720223	1	CAM, Parking Brake

Footnotes:

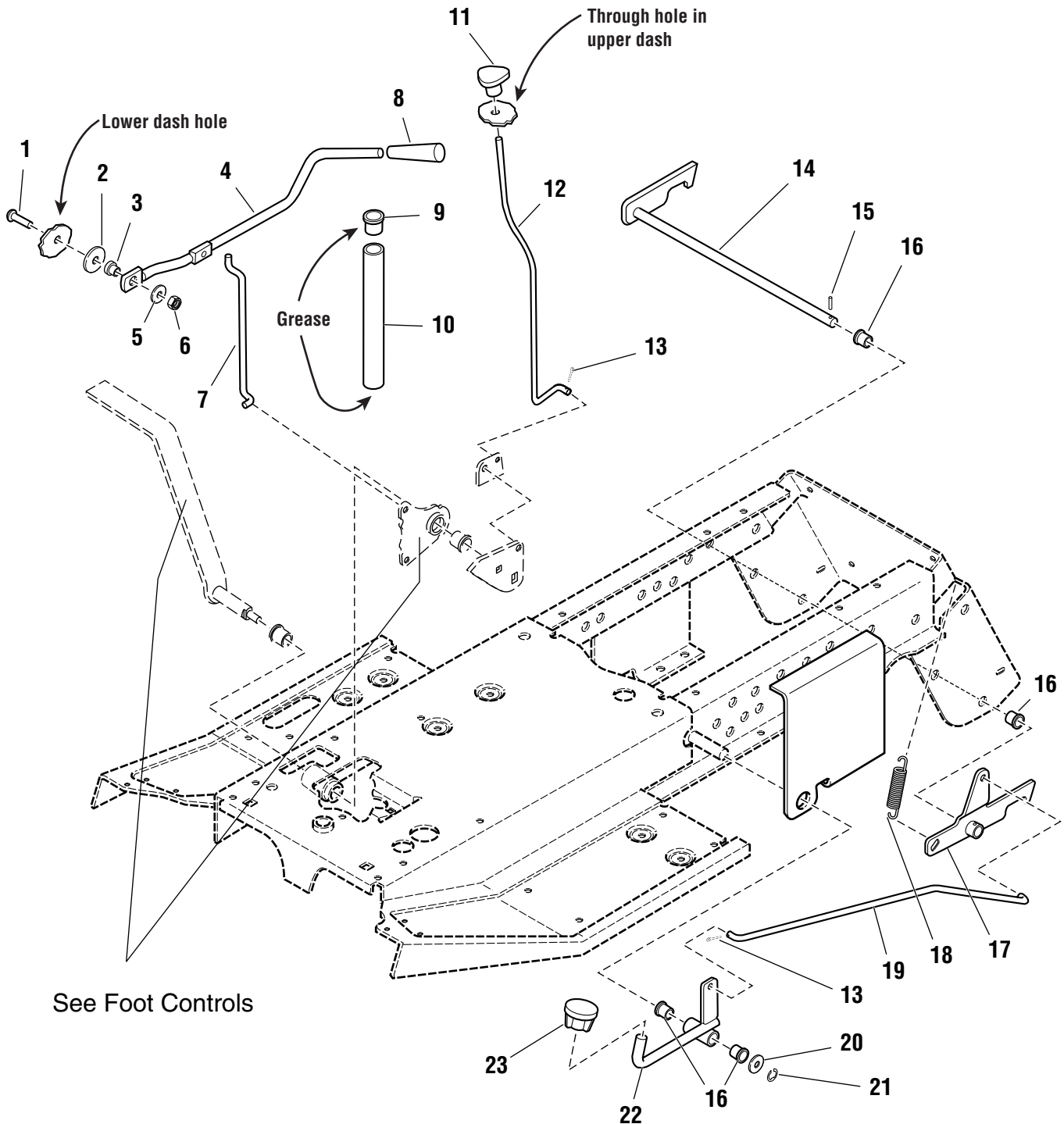
The above parts group applies to the following Mfg. Nos.:

1693583 Baron, 18HP Tractor
1693494 Baron, 18HP Tractor (Export)
1693686 Baron, 18HP Tractor (Export)

Hand Controls Group

985547Hand

NOTE: Unless noted otherwise, use the standard hardware torque specification chart.



See Foot Controls

The above parts group applies to the following Mfg. Nos.:

- 1693583 Baron, 18HP Tractor
- 1693494 Baron, 18HP Tractor (Export)
- 1693686 Baron, 18HP Tractor (Export)

Hand Controls Group

REF NO.	PART NO.	QTY.	DESCRIPTION
1	1960223	1	CARRIAGE BOLT, 5/16-18 x 1-1/4
2	1924356	1	WASHER, 3/8
3	1705590	1	SPACER
4	1717989	1	ROD, E-Coat Lift Handle, 13.23 Long
5	1919381	1	WASHER, 5/16
6	1919438	1	NUT, Hex Lock ESNA Light, 5/16-18
7	1704623	1	ROD, Link Lift Upper
8	1718219	1	KNOB, Lift Rod, Black
9	176440	1	BUSHING, Nylon
10	1704425	1	TUBE, Shift, 8.60 Long
11	1713855	1	KNOB, 3 Sided Soft
12	1720232	1	ROD, 15.3 Long Parking Brake
13	1923360	2	PIN, Cotter, 1/16 x 3/4
14	1719989	1	ROD & LATCH ASSEMBLY, R H
15	916168	1	PIN, Spring, 1/8 x 3/4
16	1715025	4	BUSHING
17	1719988	1	LATCH & SPACER ASSEMBLY, L H
18	174896	1	SPRING, Extension
19	1719990	1	ROD, 22.31 Long Latch, Yellow
20	1960027	1	WASHER, Flat
21	158399	1	RING-E, Return Extension
22	1719981	1	LEVER & ROD ASSEMBLY, Hopper Open
23	1719940	1	KNOB

Footnotes:

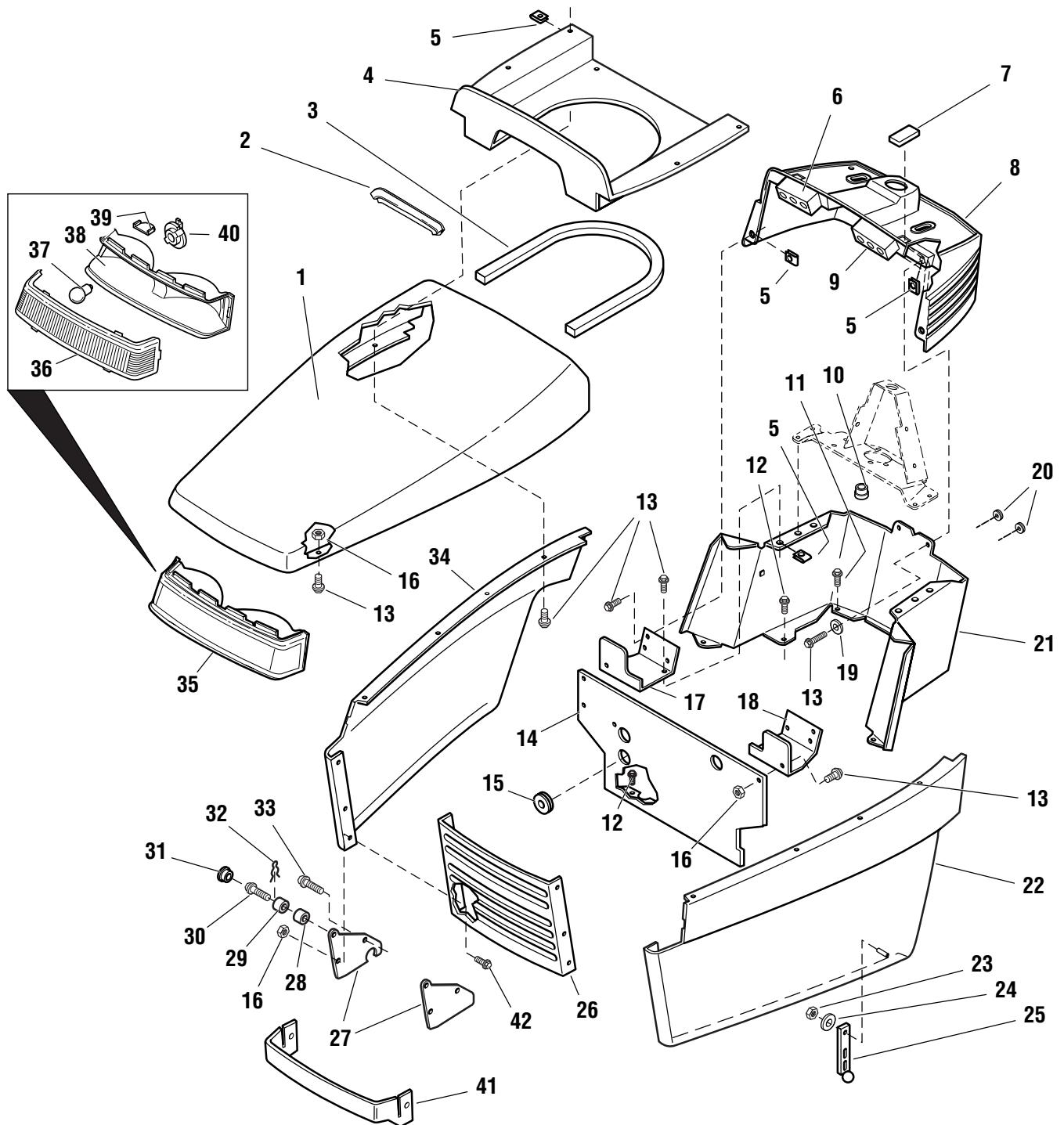
The above parts group applies to the following Mfg. Nos.:

1693583 Baron, 18HP Tractor
1693494 Baron, 18HP Tractor (Export)
1693686 Baron, 18HP Tractor (Export)

Hood, Grille & Dash Group

985546

NOTE: Unless noted otherwise,
use the standard hardware torque
specification chart.



The above parts group applies to the following Mfg. Nos.:

- 1693583 Baron, 18HP Tractor
- 1693494 Baron, 18HP Tractor (Export)
- 1693686 Baron, 18HP Tractor (Export)

Hood, Grille & Dash Group

REF NO.	PART NO.	QTY.	DESCRIPTION
1	1703240	1	HOOD, Orange
1	41703240	1	HOOD, Red
2	1717519	1	EDGING, 9" Long, Black Rubber
3	1720329	1	SEAL, Foam, 1 x 1-1/4 Horseshoe
4	1719739	1	DUCT, Air 16GA
5	1960368	10	NUT, Speed Lug
6	1720327	1	LENS, Indicator R H , (PTO On)
7	1709188	1	PLUG, Hole, Black Plastic
8	1720326	1	DASHBOARD, Lenses, (Includes Ref. Nos. 6 & 9)
9	1720328	1	LENS, Indicator L H, (BLUE/GREEN)
10	176440	1	BUSHING, Nylon
11	1927428	1	CAPSCREW, Hex Washer Head, Taptite, 1/4-20 x 3/8
12	1925003	7	CAPSCREW, Hex Washer Head, Taptite, 1/4-20 x 1/2
13	1960295	22	CAPSCREW, Hex Flange Whizlock, 1/4-20 x 5/8
14	1722006	1	BULKHEAD
15	1704927	2	GROMMET
16	1920397	10	NUT, Hex Lock ESNA Light 1/4-20
17	1719978	1	SUPPORT, Bulkhead R H w/Hole
18	1719845	1	SUPPORT, Bulkhead L H
19	1921319	2	WASHER, 1/4
20	1670675	2	BUMPER, Button, Black Rubber
21	1709238	1	DASH, Lower 16GA
22	1704879	1	PANEL & WELD STUD ASSEMBLY, L H Side, Orange
22	41704879	1	PANEL & WELD STUD ASSEMBLY, L H Side, Red
23	1933896	2	NUT, Hex Lock, 10-24 w/Nylon Insert
24	1960096	2	WASHER, 3/16
25	171600	2	STRAP, Hood, Black Rubber 4.8" Long
26	1721203	1	GRILLE, 16GA
27	1716128	2	HINGE, Hood
28	1705249	2	SPACER
29	1705248	2	PIVOT, Hood
30	1960373	2	CAPSCREW, Hex Washer Head, Taptite, 5/16-18 x 1
31	1704626	2	SPACER, Nylon
32	1704628	2	PIN, Quick, (Hairpin)
33	1930601	2	CAPSCREW, Hex Washer Head, Taptite, 5/16-18 x 5/8
34	1704878	1	PANEL & WELD STUD ASSEMBLY, R.H. Side, Orange
34	41704878	1	PANEL & WELD STUD ASSEMBLY, R.H. Side, Red
35	1703945	1	HEADLIGHT ASSEMBLY, (Includes Ref. Nos. 36, 37, 38, 39, & 40)
36	1703248	1	LENS, Headlight
37	1677371	1	BULB, Headlight
38	1703249	1	BEZEL, Headlight
39	1703946	1	HEAT SHEILD, Headlight
40	1677370	1	SOCKET, Headlight
41	1721146	1	BUMPER
42	1930594	2	CAPSCREW, Hex Flange Whizlock, 1/4-20 x 3/4

Footnotes:

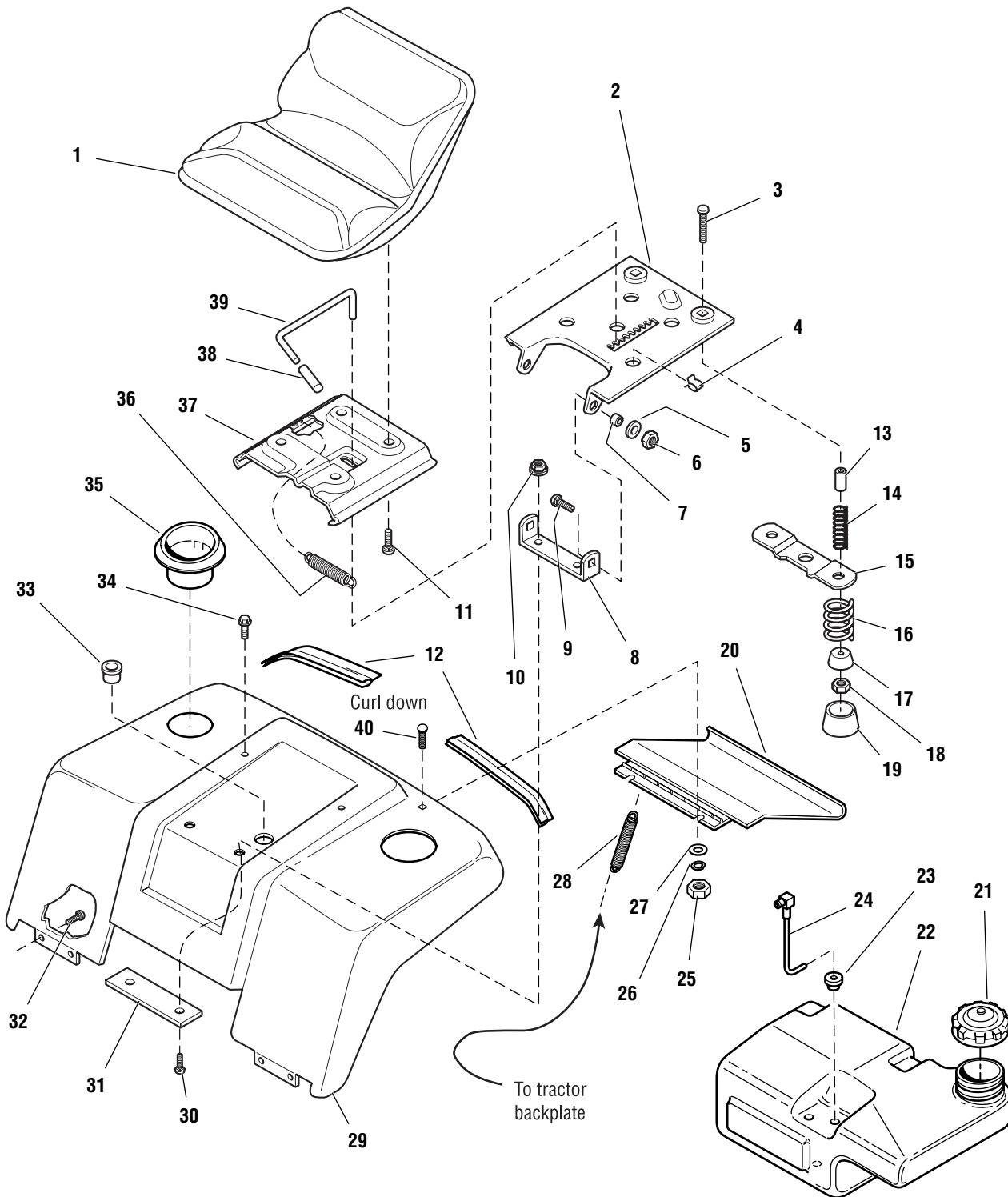
The above parts group applies to the following Mfg. Nos.:

1693583 Baron, 18HP Tractor
1693494 Baron, 18HP Tractor (Export)
1693686 Baron, 18HP Tractor (Export)

Seat, Seat Deck & Fuel Tank Group

985548

NOTE: Unless noted otherwise,
use the standard hardware torque
specification chart.



The above parts group applies to the following Mfg. Nos.:

- 1693583 Baron, 18HP Tractor
- 1693494 Baron, 18HP Tractor (Export)
- 1693686 Baron, 18HP Tractor (Export)

Seat, Seat Deck & Fuel Tank Group

REF NO.	PART NO.	QTY.	DESCRIPTION
1	1721702	1	SEAT, w/Cusion No Arms
2	1709307	1	SUPPORT, Seat Pivot
3	1931339	2	CARRIAGE BOLT, 5/16-18 x 2
4	172434	1	CLIP, Speed Wire
5	1924940	2	WASHER, 3/8
6	1919439	2	NUT, Hex Lock ESNA Light, 3/8-16
7	1663752	2	SPACER
8	1718858	1	BRACKET
9	1931350	2	CARRIAGE BOLT, 3/8-16 x 2
10	1928352	2	NUT, Hex Flange Whizlock, 3/8-16
11	1931648	4	CAPSCREW, Hex Flange Whizlock, 5/16-18 x 1/2
12	1720447	2	EDGING, 11 Long, Black Rubber
13	1704299	2	SPACER
14	1709308	2	SPRING, Compression
15	1719809	1	PLATE, Switch
16	1707137	1	SPRING, Extension, Black
17	1709256	2	WASHER, Spring, Cone
18	1919438	2	NUT, Hex Lock ESNA Light, 5/16-18
19	1704724	2	COVER, Spring, Black Vinyl
20	1721111	1	DOOR & HINGE ASSEMBLY, Hopper
21	1715917	1	CAP, Fuel Tank, Black
22	1719206	1	TANK, Fuel
23	1654930	1	BUSHING, Rubber
24	1704108	1	ELBOW & TUBE ASSEMBLY
25	1916622	2	NUT, Hex 1/4-20
26	1916964	2	LOCKWASHER, 1/4
27	1921319	2	WASHER, 1/4
28	1707471	1	SPRING, Extension
29	1719679	1	DECK & WELD STUDS ASSEMBLY, Seat, Orange
29	41719679	1	DECK & WELD STUDS ASSEMBLY, Seat, Red
30	1960459	2	CAPSCREW, Truss Head, Torx Drive, 3/8-16 x 1
31	1708361	1	PLATE
32	1925003	4	CAPSCREW, Hex Washer Head, Taptite, 1/4-20 x 1/2
33	1701229	1	BUSHING, Snap
34	1930601	2	CAPSCREW, Hex Washer Head, Taptite, 5/16-18 x 5/8
35	1719392	1	HOLDER, Cup, Black Plastic
36	1704728	2	SPRING, Compression
37	1714441	1	SLIDE, Seat
38	1704723	1	GRIP, Black Vinyl
39	1719712	1	LEVER, Seat Release
40	1931339	2	CARRIAGE BOLT, 1/4-20 x 3/4

Footnotes:

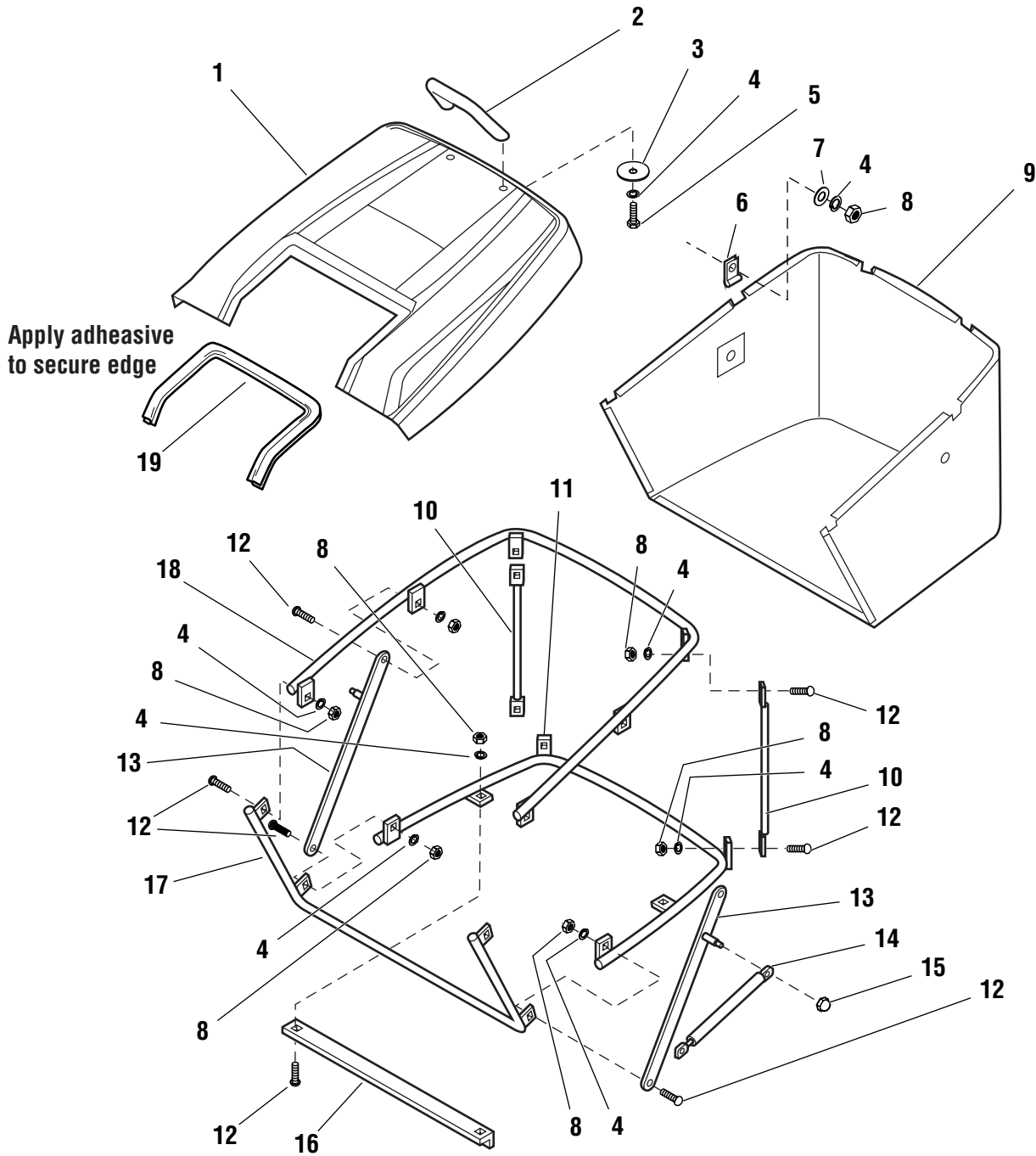
The above parts group applies to the following Mfg. Nos.:

1693583 Baron, 18HP Tractor
1693494 Baron, 18HP Tractor (Export)
1693686 Baron, 18HP Tractor (Export)

Hopper Group

985551

NOTE: Unless noted otherwise,
use the standard hardware torque
specification chart.



The above parts group applies to the following Mfg. Nos.:

- 1693583 Baron, 18HP Tractor
- 1693494 Baron, 18HP Tractor (Export)
- 1693686 Baron, 18HP Tractor (Export)

Hopper Group

REF NO.	PART NO.	QTY.	DESCRIPTION
1	1720020	1	LID ASSEMBLY, Hopper
2	1719939	1	HANDLE, Grab
3	1920283	2	WASHER, 5/16
4	1917356	20	LOCKWASHER, 5/16
5	1921332	2	CAPSCREW, Hex Head, 5/16-18 x 3/4
6	1708007	6	CLAMP
7	1919381	6	WASHER, 5/16
8	1917372	18	NUT, Hex 5/16-18
9	1721983	1	BAG, Grass Plastic Bottom, Black
10	1720013	2	ROD
11	1720010	1	ROD & TABS ASSEMBLY, Bottom Bag
12	1931335	12	CARRIAGE BOLT, 5/16-18 x 1
13	1720083	2	BRACE & PIVOT ASSEMBLY, Cylinder
14	1719351	2	CYLINDER, 8.0" Stoke
15	1720458	2	NUT, Push On
16	1720008	1	SUPPORT, Bag Bottom
17	1720011	1	ROD & BRACES ASSEMBLY, Bag Front
18	1720009	1	ROD & TABS ASSEMBLY, Top Bag
19	1721175	1	EDGING, Seal

Footnotes:

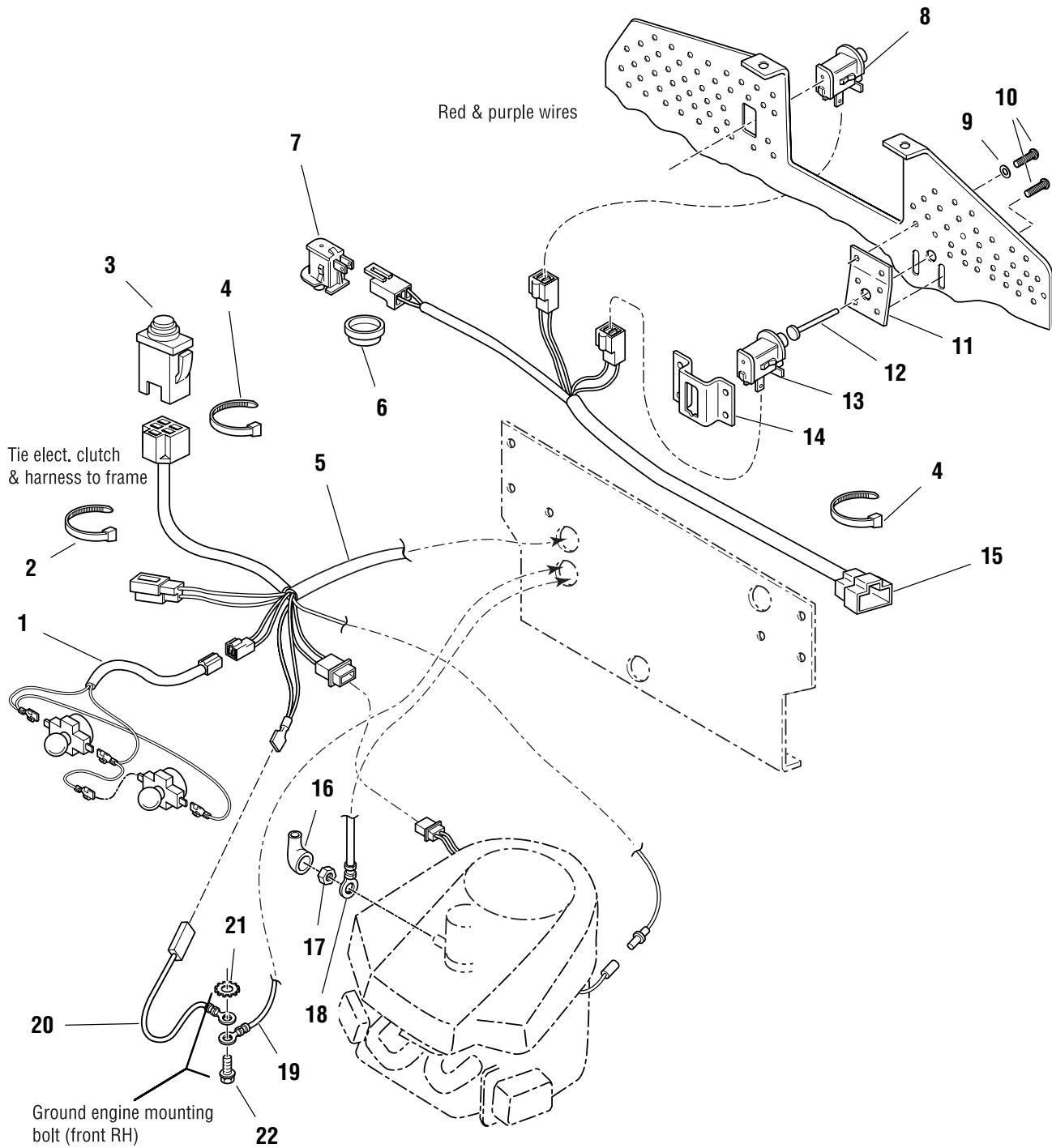
The above parts group applies to the following Mfg. Nos.:

1693583 Baron, 18HP Tractor
1693494 Baron, 18HP Tractor (Export)
1693686 Baron, 18HP Tractor (Export)

Electrical Group – Lower Harness

985549Lower

NOTE: Unless noted otherwise, use the standard hardware torque specification chart.



The above parts group applies to the following Mfg. Nos.:

- 1693583 Baron, 18HP Tractor
- 1693494 Baron, 18HP Tractor (Export)
- 1693686 Baron, 18HP Tractor (Export)

Electrical Group – Lower Harness

REF NO.	PART NO.	QTY.	DESCRIPTION
1	1674358	1	HARNESS, Wiring For Headlights
2	932747	1	TIE, Self Locking, 3-5/8" Long
3	1719681	1	SWITCH, Push Button Foot Pedal
4	925094	2	TIE, Self Locking, 7-5/16" Long
5	1719999	1	HARNESS, Wiring
6	1701229	1	BUSHING, Snap
7	1714770	1	SWITCH, Push Button Seat Switch
8	1720401	1	SWITCH, Push Button Gray w/Boot, Safety
9	1921319	2	WASHER, Flat, 1/4
10	1925003	6	CAPSCREW, Hex Washer Head, Taptite, 1/4-20 x 1/2
11	1720119	1	PLATE, Cover Hopper Switch
12	1720120	1	ROD & WASHER ASSEMBLY, Hopper Switch
13	1704379	1	SWITCH, Push Button, Snap In, Grass Catcher Alarm
14	1720118	1	BRACKET, Hopper Switch
15	1720001	1	WIRE ASSEMBLY, Rear Bagger
16	122023	1	BOOT, Insulator, Battery Terminal
17	916622	1	NUT, Hex 1/4-20
18	1668819	1	CABLE, # 6 x 25 Long, (2) Ring Terminals
19	1713163	1	CABLE, # 6 x 26 Long, 1/4 & 3/8 Ring Terms
20	1707232	1	WIRE ASSEMBLY
21	920427	1	LOCKWASHER, External Tooth, 3/8
22	930598	1	CAPSCREW, Hex Washer Head, Taptite, 3/8-16 x 1 1/2

Footnotes:

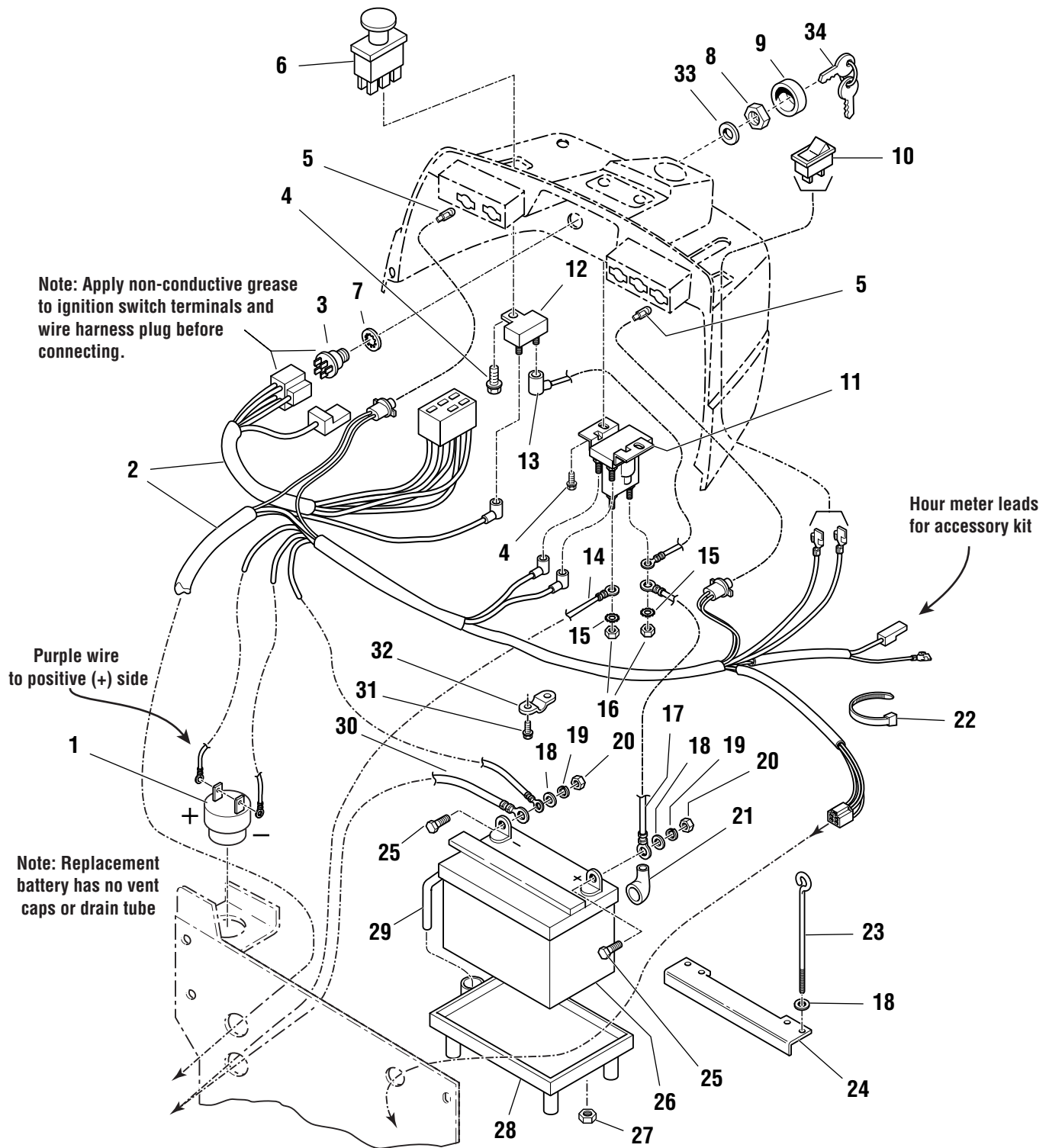
The above parts group applies to the following Mfg. Nos.:

1693583 Baron, 18HP Tractor
1693494 Baron, 18HP Tractor (Export)
1693686 Baron, 18HP Tractor (Export)

Electrical Group – Upper Harness

985549Upper

NOTE: Unless noted otherwise, use the standard hardware torque specification chart.



The above parts group applies to the following Mfg. Nos.:

- 1693583 Baron, 18HP Tractor
- 1693494 Baron, 18HP Tractor (Export)
- 1693686 Baron, 18HP Tractor (Export)

Electrical Group – Upper Harness

REF NO.	PART NO.	QTY.	DESCRIPTION
1	1720117	1	BUZZER, Pulse, (Grass Bag Full)
2	1719999	1	HARNESS, Wiring
3	1686734	1	SWITCH ASSEMBLY, Ignition 5/8-32 6 Terminal (Includes Ref. Nos. 7, 8, 9, 33 & 34)
4	1960536	2	CAPSCREW, Hex Washer Head, 1/4 x 1/2
5	1676130	2	LAMP, Indicator
6	1716332	1	SWITCH, PTO Push/Pull w/Symbols
7	1960547	1	LOCKWASHER, Internal Tooth, 5/8
8	1717549	1	NUT, Hex Flange 5/8-32
9	1717550	1	COVER, Ignition Switch
10	1703799	1	SWITCH, Rocker, Headlight
11	1685290	1	SOLENOID, 4 Pole 12 Volt DC
12	1665238	1	BREAKER, Circuit 12 Volt 20 amps w/Tab
13	1665237	1	WIRE, 12GA, Red
14	1668819	1	CABLE, # 6 x 25 Long (2) Ring Terminals
15	920426	2	LOCKWASHER, External Tooth, 5/16
16	1920263	2	NUT, Hex, 5/16-24 NF
17	1603618	1	CABLE, # 6 x 8 Long, (2) Ring Terminals
18	921319	4	WASHER, 1/4
19	916964	2	LOCKWASHER, 1/4
20	1916622	2	NUT, Hex, 1/4-20
21	1677296	1	BOOT, Insulator, Battery Terminal
22	920594	2	TIE, Self Locking, 7-5/16" Long
23	1704632	2	ROD, Battery Hold Down
24	1718596	1	BRACKET, Battery Hold Down
25	923341	2	CAPSCREW, Hex Head, 1/4-20 x 3/4
26	1685215	1	BATTERY, 12 Volt 6 Cell 340 amps
27	1704349	2	NUT, Plastic Expanding
28	1704112	1	TRAY, Battery
29	1612103	1	HOSE, Drain
30	1713163	1	CABLE, # 6 x 26 Long 1/4 & 3/8 Ring Terminals
31	1960369	4	CAPSCREW, Hex Washer Head, 3/8-16 x 1/2
32	1704614	1	STRAP
33	101025	1	WASHER, 5/8
34	1717163	1	KEY, Ignition (Set of 2)

Footnotes:

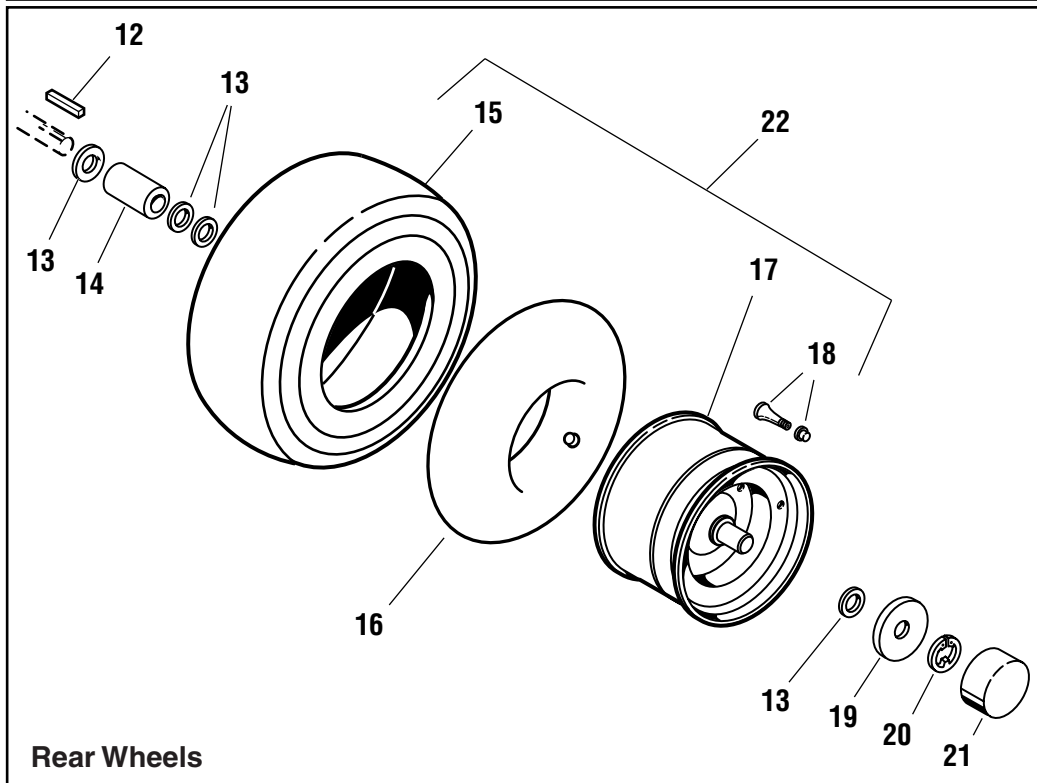
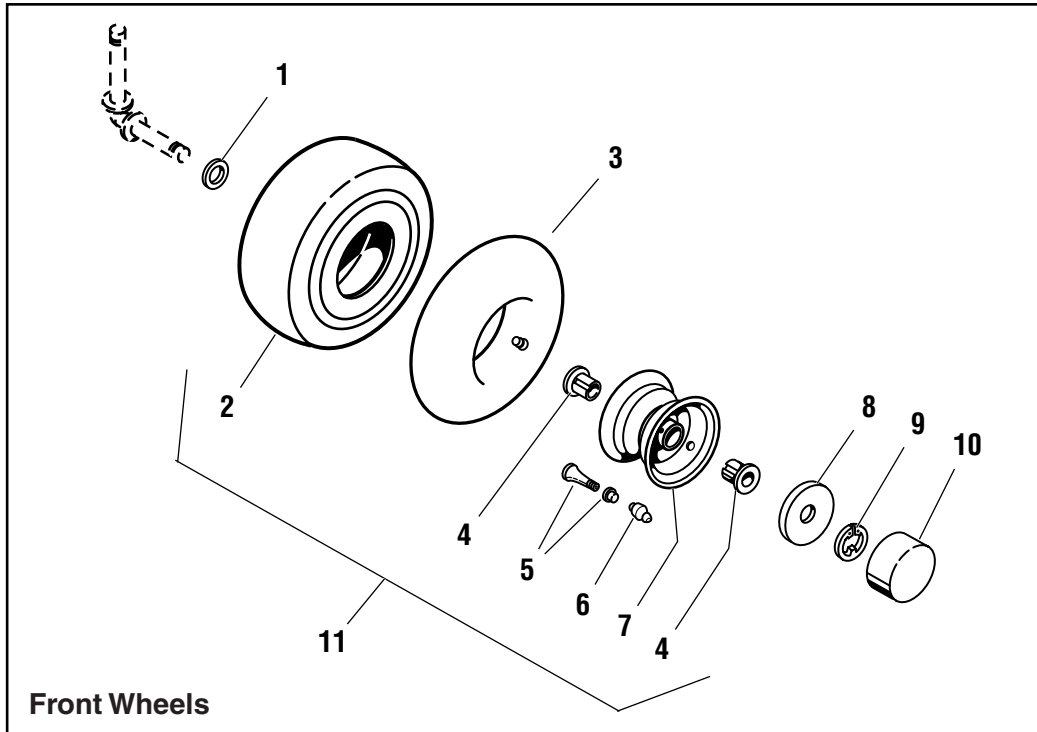
The above parts group applies to the following Mfg. Nos.:

1693583 Baron, 18HP Tractor
1693494 Baron, 18HP Tractor (Export)
1693686 Baron, 18HP Tractor (Export)

Wheel & Tires Group

WheelsMISC

NOTE: Unless noted otherwise,
use the standard hardware torque
specification chart.



The above parts group applies to the following Mfg. Nos.:

- 1693583 Baron, 18HP Tractor
- 1693494 Baron, 18HP Tractor (Export)
- 1693686 Baron, 18HP Tractor (Export)

Wheel & Tires Group

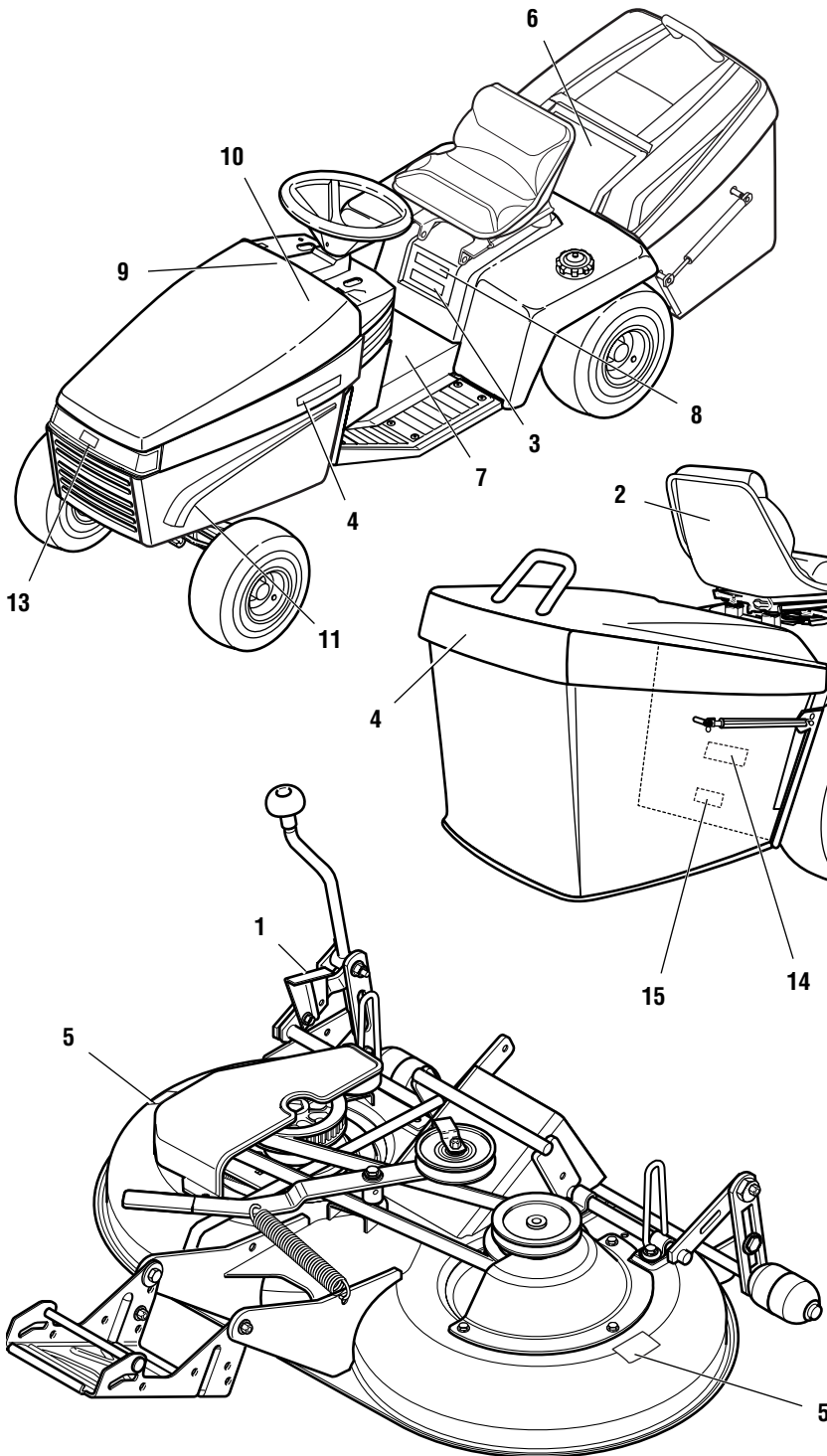
REF NO.	PART NO.	QTY.	DESCRIPTION
1	1960160	2	WASHER, Special, 3/4 (Install to the inside of wheel)
2	1713166	2	TIRE, 15 x 6.00-6
3	1664090	2	TUBE, 4.10/3.50-6
4	1713167	4	BEARING
5	172353	2	VALVE STEM & CAP
6	912808	2	FITTING, Grease
7	1715032	2	WHEEL ASSEMBLY, (Includes Ref. No. 4)
8	1701435	4	RETAINER, Hub Cap, Black
9	1611710	2	RING, Retaining
10	1676519	2	CAP, Hub
11	1709856	2	WHEEL & TIRE ASSEMBLY, 15 x 6.00-6 (Includes Ref. Nos. 2, 4, 5, 6, & 7)
12	1717749	2	KEY
13	960202	8	WASHER
14	1717451	2	SPACER
15	1713170	2	TIRE, 18 x 8 1/2-8
16	173477	2	TUBE
17	1716132	2	WHEEL ASSEMBLY
18	172353	2	VALVE STEM & CAP
19	1701435	2	RETAINER, Cap, Hub
20	927794	2	E-RING
21	1676519	2	CAP, Hub, Black
22	1720099	2	WHEEL & TIRE ASSEMBLY, (Includes Ref. Nos. 15, 17, & 18)

Footnotes:

The above parts group applies to the following Mfg. Nos.:

1693583 Baron, 18HP Tractor
1693494 Baron, 18HP Tractor (Export)
1693686 Baron, 18HP Tractor (Export)

NOTE: Unless noted otherwise, use the standard hardware torque specification chart.



<p>THROTTLE - Always operate at full throttle. - Keep off of full throttle.</p> <p>CHOKE - Pull back OUT to engage. - Push back IN to disengage.</p> <p>IGNITION SWITCH - Ignition switch.</p> <p>MOWER LIFT LEVER - Mower lift lever. - Push up to raise deck. - Push down to lower deck.</p>	<p>TO OPERATE PTO CLUTCH - Push up to engage. - Push down to disengage.</p> <p>BRAKE PEDAL - Push down to engage. - Push up to disengage.</p> <p>GROUND SPEED CONTROL - Push up to engage. - Push down to disengage.</p> <p>CUTTING HEIGHT ADJUST - Turn clockwise to raise cutting height. - Turn counter-clockwise to lower cutting height.</p> <p>PTO RELEASE - Push up to engage. - Push down to disengage.</p> <p>TRANSMISSION RELEASE VALVE - Push up to engage. - Push down to disengage.</p>
<p>ROTATING BLADES CUT OFF ARMS AND LEGS - Rotating blades can cut off arms and legs. - NO REPAIRS - THEY FALL OFF.</p>	<p>OPERATION</p> <p>To Start Engine: - Set parking brake, PTO switch off and transmission in neutral. To STOP Engine: - Stop blade operation. Mower deck to full down position. PTO switch to OFF.</p> <p>When Operator Leaves Seat: - Stop blade operation. PTO switch OFF. Mower deck to full down position.</p> <p>Before Leaving Mower: - Turn off engine. Set parking brake. Mower deck to full down position. PTO switch to OFF.</p>
<p>OPERATING ON SLOPES CAN BE DANGEROUS - DO NOT OPERATE ON SLOPES. - IF YOU CANNOT BACK UP A HILL, DO NOT GET DOWN OFF.</p>	<p>AVOID SERIOUS INJURY OR DEATH</p> <p>DO NOT OPERATE ON SLOPES - Avoid operation on slopes. - Do not operate on slopes. - Do not operate on slopes. - Do not operate on slopes.</p> <p>DO NOT TOW! - NEVER TOW! - NEVER TOW! - NEVER TOW!</p>

<p>STOP ENGINE, MOTOR ANHALTEN, STOP MOTOR, ARRÊTER LE MOTEUR, FERMER LE MOTEUR.</p> <p>DO NOT TOW! - NEVER TOW! - NEVER TOW! - NEVER TOW!</p>	<p>PUSH SCHIEBEN, PUSH, POUSSEZ, SPINGERE.</p> <p>DRIVE FÄHREN, FÄHREN, CONDUIRE, CONDUIRE.</p>
--	---

<p>STOP ENGINE, MOTOR ANHALTEN, STOP MOTOR, ARRÊTER LE MOTEUR, FERMER LE MOTEUR.</p> <p>DO NOT TOW! - NEVER TOW! - NEVER TOW! - NEVER TOW!</p>	<p>AVOID SERIOUS INJURY OR DEATH</p> <p>ROTATING CUTTING BLADE Do not put hands or feet under mower deck while blade is rotating.</p>
--	---

<p>WARNING</p>	
<p>Do not operate mower with rear grass catcher open</p>	<p>Do not operate mower without catcher or discharge deflector in place</p>

The above parts group applies to the following Mfg. Nos.:

- 1693583 Baron, 18HP Tractor
- 1693554 40" Mower Deck
- 1693560 40" Mower Deck
- 1693585 40" Mower Deck

Decals Group

REF NO.	PART NO.	QTY.	DESCRIPTION
1	1721197	1	DECAL, Cutting Height
2	1708927	1	DECAL, Logo, USA
3	1717706	1	DECAL, Engine, 18V-Twin
4	1718508	3	DECAL, Simplicity w/Logo, Fuel Resistant
5	1720660	2	DECAL, Danger, Rotating Blades
6	1720661	1	DECAL, Danger, Catcher Open
7	1720658	1	DECAL, Operating Instructions
8	1720412	1	DECAL, Baron
9	1720454	1	DECAL, Touch Up Paint
10	1720460	1	DECAL, Drive Belts/Mower Blades
11	1720504	1	DECAL, Hood Stripe L H
12	1720505	1	DECAL, Hood Stripe R H
13	1717692	1	DECAL, Simplicity Logo
14	1722384	1	DECAL, Transmission Release Valve
15	1721141	1	DECAL, Draw Bar

Footnotes:

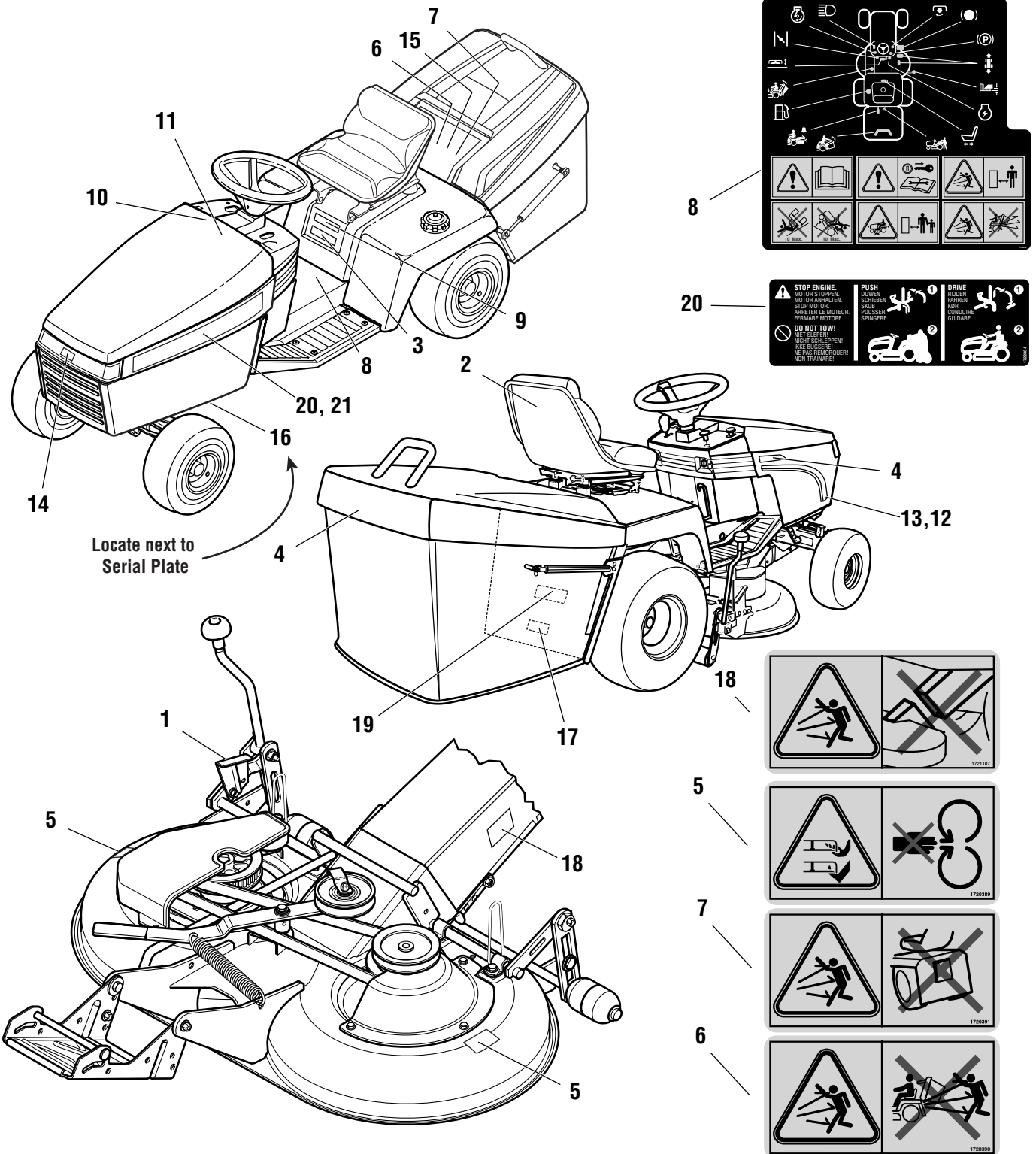
The above parts group applies to the following Mfg. Nos.:

1693583 Baron, 18HP Tractor
1693554 40" Mower Deck
1693560 40" Mower Deck
1693585 40" Mower Deck

Decals Group (Export)

DecalsExportMISC

NOTE: Unless noted otherwise, use the standard hardware torque specification chart.



The above parts group applies to the following Mfg. Nos.:

- 1693494 Baron, 18HP Tractor (Export)
- 1693686 Baron, 18HP Tractor (Export)
- 1693575 102 cm Mower Deck (Export)

Decals Group (Export)

REF NO.	PART NO.	QTY.	DESCRIPTION
1	1721197	1	DECAL, Cutting Height
2	1708927	1	DECAL, Logo, USA
3	1717706	1	DECAL, Engine, 18V-Twin
4	1718508	3	DECAL, Simplicity w/Logo, Fuel Resistant
5	1720389	2	DECAL, Danger, Rotating Blades
6	1720390	1	DECAL, Danger, Catcher Open
7	1720391	1	DECAL, Danger Operating w/o Catcher
8	1720392	1	DECAL, Operating Instructions Symbols
9	1720412	1	DECAL, Baron
10	1720454	1	DECAL, Touch Up Paint
11	1720460	1	DECAL, Drive Belts/Mower Blades
12	1720504	1	DECAL, Hood Stripe L H
13	1720505	1	DECAL, Hood Stripe R H
14	1717692	1	DECAL, Simplicity Logo
15	1721108	1	DECAL, Danger Hopper Lid
16	*	1	DECAL, GS-Safety
17	1721141	1	DECAL, Drawbar
18	1721107	1	DECAL, Danger, Discharge Tube
19	1722384	1	DECAL, Transmission Release Valve
20	1722475	1	DECAL, Massey Ferguson Hood L H
21	1722474	1	DECAL, Massey Ferguson Hood R H

Footnotes:

*** Not a serviceable part.**

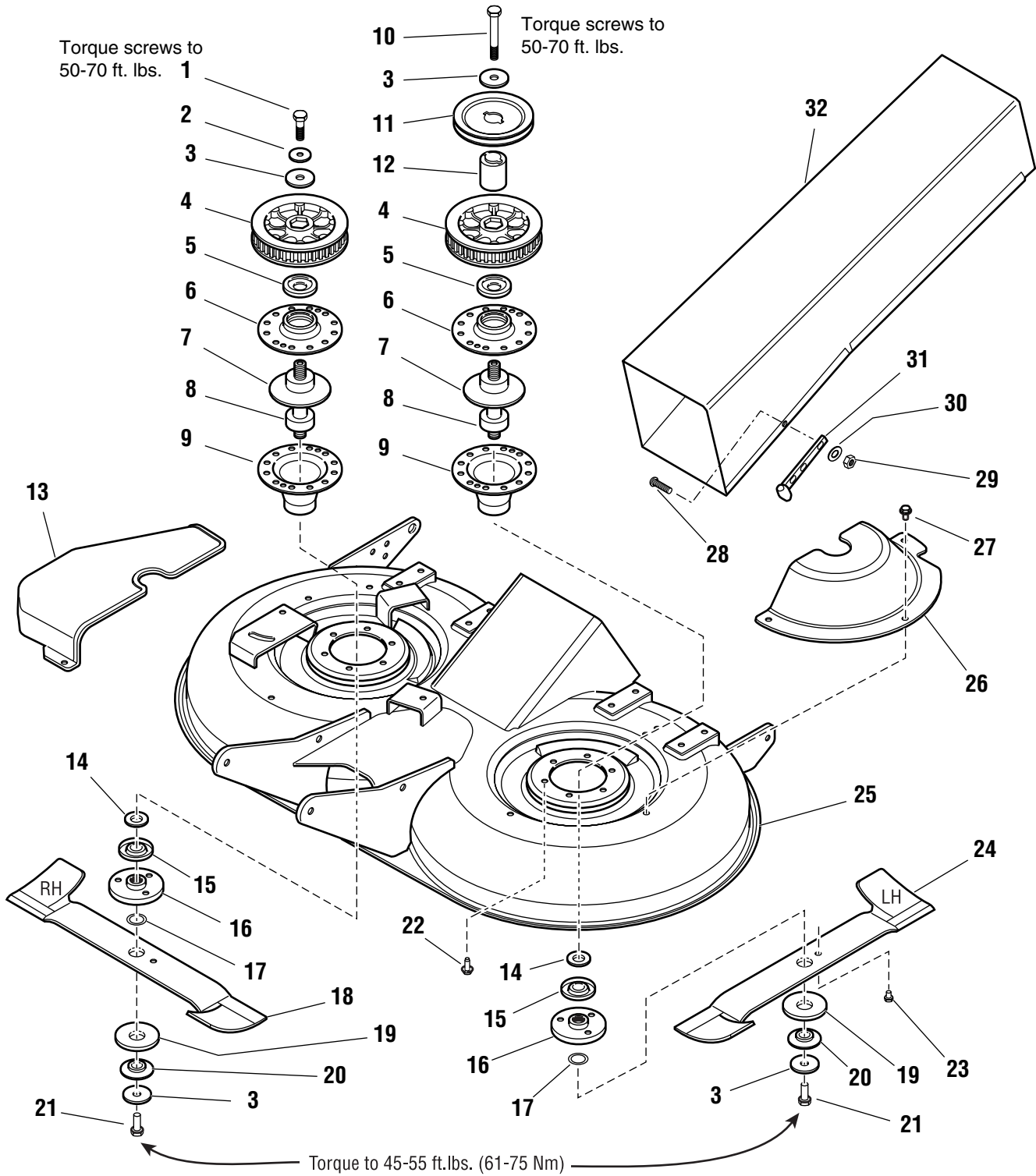
The above parts group applies to the following Mfg. Nos.:

1693494 Baron, 18HP Tractor (Export)
1693686 Baron, 18HP Tractor (Export)
1693575 102 cm Mower Deck (Export)

40" (102 cm) Mower Deck – Housing Arbors & Blades (Serial No. 0001 - 1999)

985742

NOTE: Unless noted otherwise, use the standard hardware torque specification chart.



The above parts group applies to the following Mfg. Nos.:

- 1693554 40" Mower Deck
- 1693560 40" Mower Deck
- 1693585 40" Mower Deck
- 1693575 102 cm Mower Deck (Export)

40" (102 cm) Mower Deck – Housing Arbors & Blades (Serial No. 0001 - 1999)

REF NO.	PART NO.	QTY.	DESCRIPTION
1	1936723	1	CAPSCREW, Hex Head, 7/16-14 x 1-3/4 G8
2	1933263	1	WASHER, 7/16
3	1656916	4	WASHER, Spring, 1-3/4
4	1719766	2	SPROCKET & FLANGE ASSEMBLY, Rivited
5	1657969	2	SHIELD, Bearing, Mower Arbor Upper
6	1655729	2	HOUSING, Arbor Top
7	1707335	2	GASKET, Foam
8	1676278	2	ARBOR SHAFT & BEARINGS ASSEMBLY
9	1703273	2	HOUSING, Arbor Bottom w/Lube Fitting
10	1930585	1	CAPSCREW, Hex Head, 7/16-14 x 3-1/2 G8
11	1713091	1	PULLEY
12	1719862	1	HUB
13	1721153	1	COVER, Arbor R H
14	1700230	2	WASHER, Shim
15	1700229	2	SHIELD, Bearing, Mower Arbor Lower
16	1655777	2	ADAPTER, Blade 26, 30, 36, 42 & 48"
17	1657528	2	RING
18	1719737	1	BLADE, Mower RH 40
19	1719985	2	WASHER, 1
20	1720587	2	WASHER, Spline
21	923471	2	CAPSCREW, Hex Head, 7/16-14 x 1-1/4 G8
22	1664847	12	CAPSCREW, Hex Washer Head, Taptite, 5/16-18 x 3/4
23	1722258	2	PIN, Blade
24	1719736	1	BLADE, Mower LH 40
25	1686784	1	HOUSING ASSEMBLY, 40" Mower, 2 Spindle, Orange
25	41686784	1	HOUSING ASSEMBLY, 40" Mower, 2 Spindle, Red
26	1721154	1	COVER, Arbor LH
27	1924856	6	CAPSCREW, Hex Washer Head, Taptite, 5/16-18 x 1/2
28	1960404	1	CAPSCREW, Truss Head, Phillips, #10-24 x 3/4
29	1933896	1	NUT, Hex Nylock , 10-24
30	1960096	3	WASHER, 3/16
31	171600	1	STRAP, Hood, Black Rubber, 4.8" Long
32	1686817	1	TUBE ASSEMBLY, Top & Bottom Rear

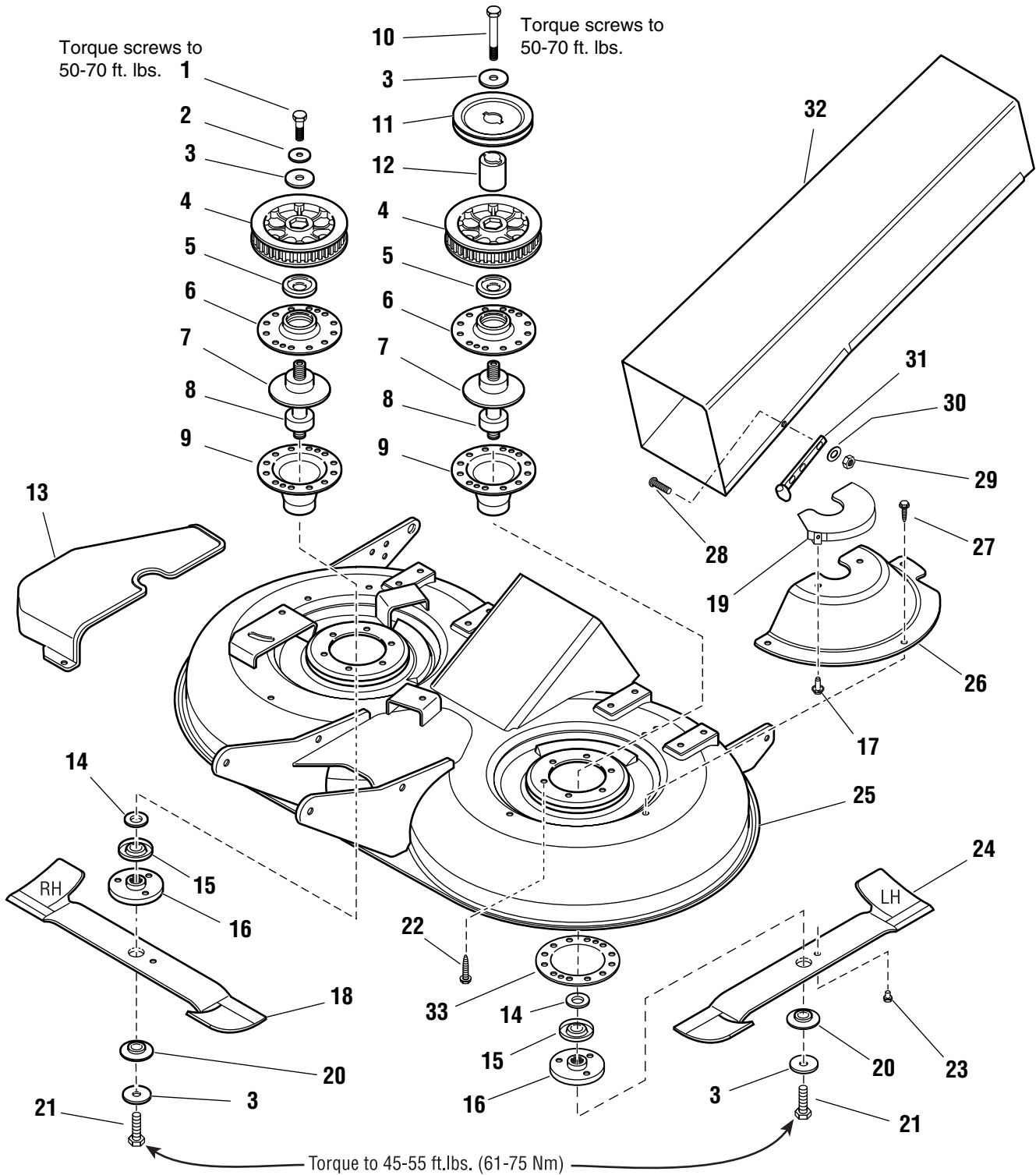
Footnotes:

The above parts group applies to the following Mfg. Nos.:

- 1693554 40" Mower Deck
- 1693560 40" Mower Deck
- 1693585 40" Mower Deck
- 1693575 102 cm Mower Deck (Export)

40" (102 cm) Mower Deck – Housing Arbors & Blades (Serial No. 2000 - 2999)

NOTE: Unless noted otherwise, use the standard hardware torque specification chart.



The above parts group applies to the following Mfg. Nos.:

- 1693554 40" Mower Deck
- 1693560 40" Mower Deck
- 1693585 40" Mower Deck
- 1693575 102 cm Mower Deck (Export)

40" (102 cm) Mower Deck – Housing Arbors & Blades (Serial No. 2000 - 2999)

REF NO.	PART NO.	QTY.	DESCRIPTION
1	1936723	1	CAPSCREW, Hex Head, 7/16-14 x 1-3/4 G8
2	1933263	1	WASHER, 7/16
3	1656916	4	WASHER, Spring, 1-3/4
4	1719766	2	SPROCKET & FLANGE ASSEMBLY, Rivited
5	1657969	2	SHIELD, Bearing, Mower Arbor Upper
6	1655729	2	HOUSING, Arbor Top
7	1707335	2	GASKET, Foam
8	1676278	2	ARBOR SHAFT & BEARINGS ASSEMBLY
9	1703273	2	HOUSING, Arbor Bottom w/Lube Fitting
10	1930585	1	CAPSCREW, Hex Head, 7/16-14 x 3-1/2 G8
11	1713091	1	PULLEY
12	1719862	1	HUB
13	1721153	1	COVER, Arbor RH
14	1700230	2	WASHER, Shim
15	1700229	2	SHIELD, Bearing, Mower Arbor Lower
16	1655777	2	ADAPTER, Blade 26, 30, 36, 42 & 48"
17	1675044	4	RIVET, Pop
18	1719737	1	BLADE, Mower RH 40
19	1721258	1	GUARD ASSEMBLY
20	1722257	2	WASHER, Spline
21	923471	2	CAPSCREW, Hex Head, 7/16-14 x 1-1/4 G8
22	1960373	12	CAPSCREW, Hex Washer Head, Taptite, 5/16-18 x 1
23	1722258	2	PIN, Blade
24	1719736	1	BLADE, Mower LH
25	1686784	1	HOUSING ASSEMBLY, 40" Mower, 2 Spindle, Orange
25	41686784	1	HOUSING ASSEMBLY, 40" Mower, 2 Spindle, Red
26	1721254	1	COVER, Arbor LH
27	1924856	6	CAPSCREW, Hex Washer Head, Taptite, 5/16-18 x 1/2
28	1960404	1	CAPSCREW, Truss Head, Phillips, #10-24 x 3/4
29	1933896	1	NUT, Hex Nylock , 10-24
30	1960096	3	WASHER, 3/16
31	171600	1	STRAP, Hood, Black Rubber, 4.8" Long
32	1686817	1	TUBE ASSEMBLY, Top & Bottom Rear
33	1677247	2	ARBOR ADAPTER

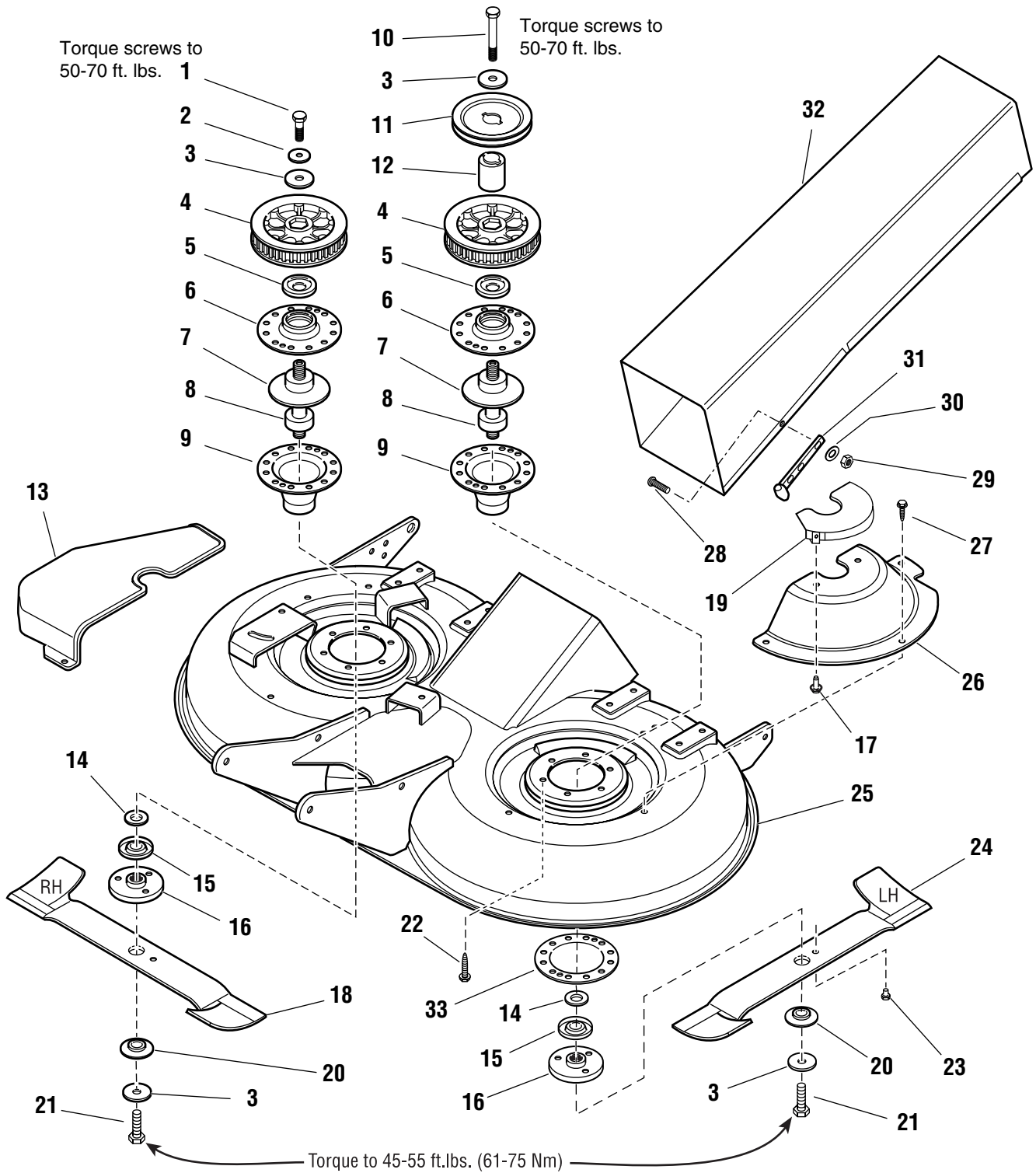
Footnotes:

The above parts group applies to the following Mfg. Nos.:

- 1693554 40" Mower Deck
- 1693560 40" Mower Deck
- 1693585 40" Mower Deck
- 1693575 102 cm Mower Deck (Export)

40" (102 cm) Mower Deck – Housing Arbors & Blades (Serial No. 3000 - and above)

NOTE: Unless noted otherwise, use the standard hardware torque specification chart.



The above parts group applies to the following Mfg. Nos.:

- 1693554 40" Mower Deck
- 1693560 40" Mower Deck
- 1693585 40" Mower Deck
- 1693575 102 cm Mower Deck (Export)

40" (102 cm) Mower Deck – Housing Arbors & Blades (Serial No. 3000 - and above)

REF NO.	PART NO.	QTY.	DESCRIPTION
1	1930584	1	CAPSCREW, Hex Head, 7/16-14 x 2-3/4 G8
2	1933263	1	WASHER, 7/16
3	1656916	4	WASHER, Spring, 1-3/4
4	1719766	2	SPROCKET & FLANGE ASSEMBLY, Rivited
5	1657969	2	SHIELD, Bearing, Mower Arbor Upper
6	1655729	2	HOUSING, Arbor Top
7	1707335	2	GASKET, Foam
8	1722396	2	ARBOR SHAFT & BEARINGS ASSEMBLY
9	1703273	2	HOUSING, Arbor Bottom w/Lube Fitting
10	960644	1	CAPSCREW, Hex Head, 7/16-14 x 4-1/2 G8
11	1713091	1	PULLEY
12	1719862	1	HUB
13	1721153	1	COVER, Arbor RH
14	1700230	2	WASHER, Shim
15	1700229	2	SHIELD, Bearing, Mower Arbor Lower
16	1655777	2	ADAPTER, Blade 26, 30, 36, 42 & 48
17	1675044	4	RIVET, Pop
18	1719737	1	BLADE, Mower RH
19	1721258	1	GUARD ASSEMBLY
20	1722257	2	WASHER, Spline
21	927120	2	CAPSCREW, Hex Head, 7/16-14 x 2-1/4 G8
22	1960373	12	CAPSCREW, Hex Washer Head, Taptite, 5/16-18 x 1
23	1722258	2	PIN, Blade
24	1719736	1	BLADE, Mower LH
25	1686784	1	HOUSING ASSEMBLY, 40" Mower, 2 Spindle, Orange
25	41686784	1	HOUSING ASSEMBLY, 40" Mower, 2 Spindle, Red
26	1721254	1	COVER, Arbor LH
27	1924856	6	CAPSCREW, Hex Washer Head, Taptite, 5/16-18 x 1/2
28	1960404	1	CAPSCREW, Truss Head, Phillips, #10-24 x 3/4
29	1933896	1	NUT, Hex Nylock, 10-24
30	1960096	3	WASHER, 3/16
31	171600	1	STRAP, Hood, Black Rubber, 4.8" Long
32	1686817	1	TUBE ASSEMBLY, Top & Bottom Rear
33	1677247	2	ARBOR ADAPTOR

Footnotes:

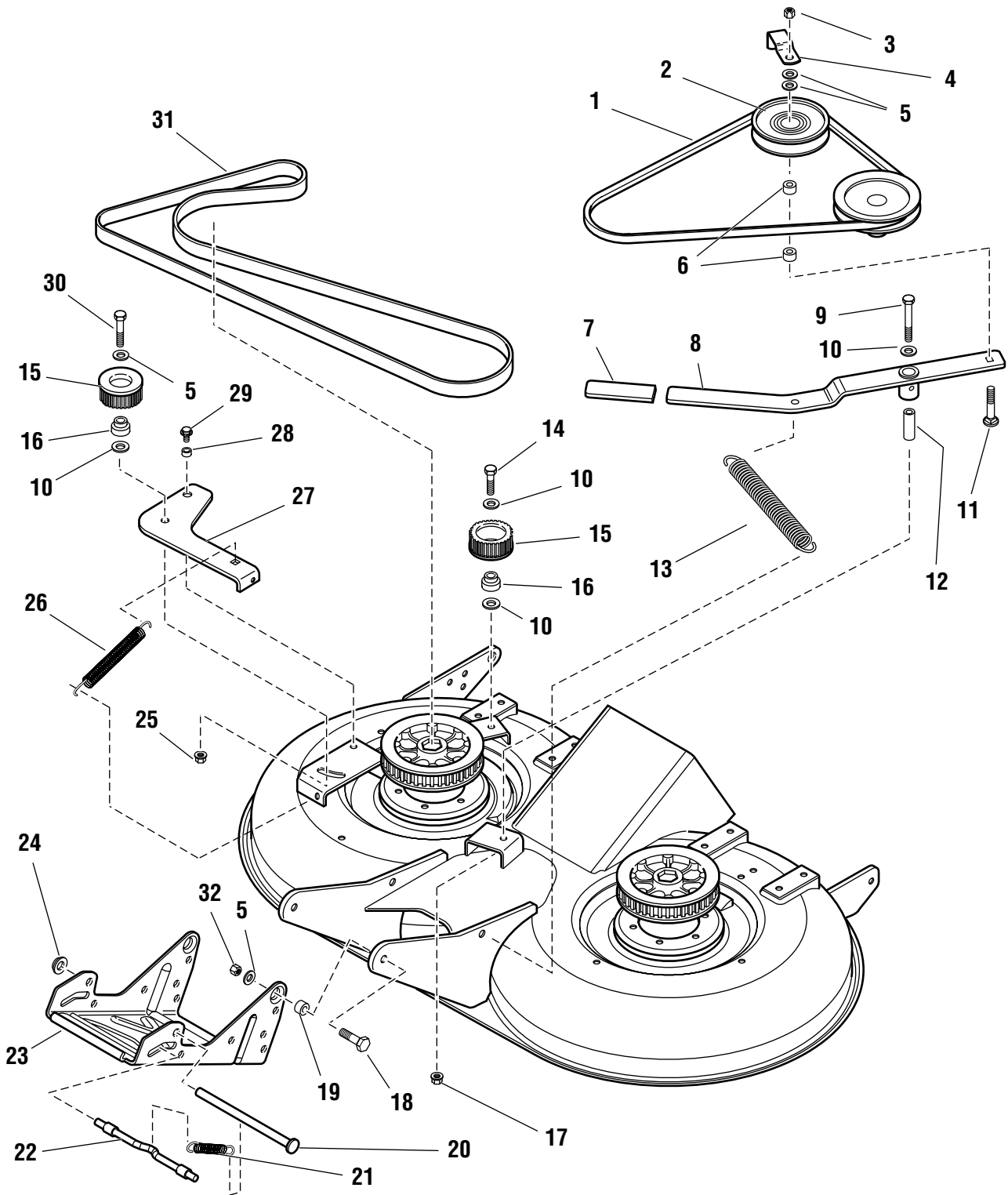
The above parts group applies to the following Mfg. Nos.:

- 1693554 40" Mower Deck
- 1693560 40" Mower Deck
- 1693585 40" Mower Deck
- 1693575 102 cm Mower Deck (Export)

40" (102 cm) Mower Deck – Belt, Clutch & Support (Serial No. 0001 - 1999)

985541

NOTE: Unless noted otherwise,
use the standard hardware torque
specification chart.



The above parts group applies to the following Mfg. Nos.:

- 1693554 40" Mower Deck
- 1693560 40" Mower Deck
- 1693585 40" Mower Deck
- 1693575 102 cm Mower Deck (Export)

40" (102 cm) Mower Deck – Belt, Clutch & Support (Serial No. 0001 - 1999)

REF NO.	PART NO.	QTY.	DESCRIPTION
1	1721533	1	V-BELT, Mower Drive, PTO
2	101096	1	PULLEY
3	1919439	2	NUT, Hex Lock ESNA Light, 3/8-16
4	1719842	1	STOP, Belt
5	1924940	5	WASHER, 3/8
6	157081	2	SPACER
7	1719965	1	GRIP, Black Vinyl
8	1720444	1	ARM ASSEMBLY, Idler w/Bushings & Lube
9	1928957	1	CAPSCREW, Hex Head, 3/8-16 x 2-3/4 G8
10	1922755	6	WASHER, 3/8
11	1960615	1	CARRIAGE BOLT, 3/8-16 x 2-1/2
12	1657242	1	SPACER
13	1715435	1	SPRING, Extension
14	1921971	1	CAPSCREW, Hex Head, 3/8-16 x 1-3/4
15	1719562	2	PULLEY, Idler 22 Teeth
16	1719221	2	HUB
17	1928352	1	NUT, Hex Flange Whizlock, 3/8-16
18	1921969	2	CAPSCREW, Hex Head, 3/8-16 x 1-1/2
19	172329	2	SPACER
20	1713578	1	ROD, Mower Hitch
21	156302	1	SPRING, Extension
22	1715759	1	ROD
23	1720044	1	HITCH, Mower
24	1960519	1	NUT, Push On
25	1721425	1	WASHER & LOCK NUT ASSEMBLY, 3/8-16
26	1674671	1	SPRING, Extension
27	1719923	1	ARM, Idler
28	1666697	1	SPACER
29	1930601	1	CAPSCREW, Hex Washer Head, Taptite, 5/16-18 x 1/2
30	1923701	1	CAPSCREW, Hex Head, 3/8-16 x 2
31	1721117	1	BELT, Timing, Arbor Drive
32	1922694	2	NUT, Hex Lock ESNA Heavy, 3/8-16

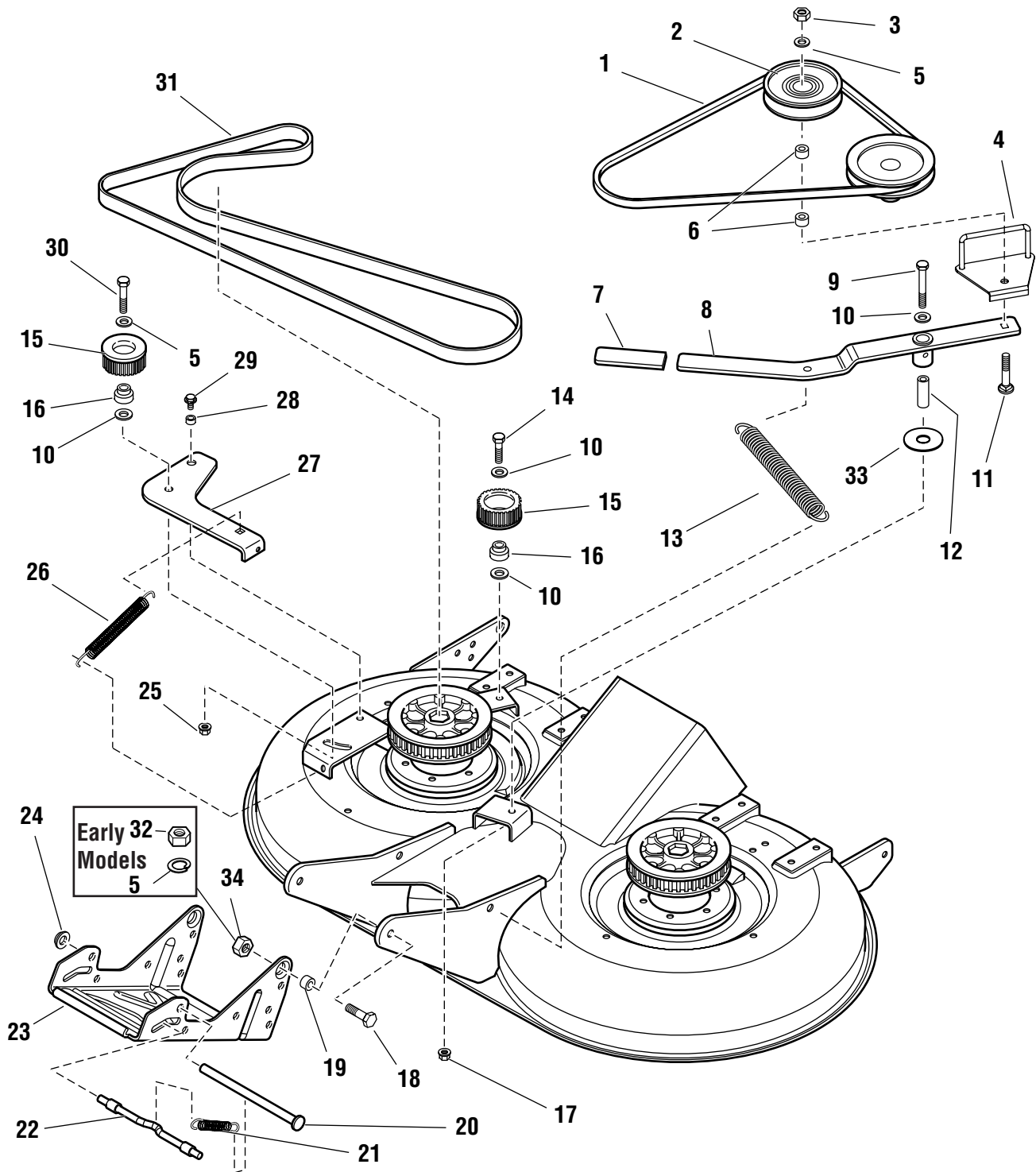
Footnotes:

The above parts group applies to the following Mfg. Nos.:

- 1693554 40" Mower Deck
- 1693560 40" Mower Deck
- 1693585 40" Mower Deck
- 1693575 102 cm Mower Deck (Export)

40" (102 cm) Mower Deck – Belt, Clutch & Support (Serial No. 2000 - and above)

NOTE: Unless noted otherwise,
use the standard hardware torque
specification chart.



The above parts group applies to the following Mfg. Nos.:

- 1693554 40" Mower Deck
- 1693560 40" Mower Deck
- 1693585 40" Mower Deck
- 1693575 102 cm Mower Deck (Export)

40" (102 cm) Mower Deck – Belt, Clutch & Support (Serial No. 2000 - and above)

REF NO.	PART NO.	QTY.	DESCRIPTION
1	1721533	1	V-BELT, Mower Drive, PTO
2	101096	1	PULLEY
3	1919439	2	NUT, Hex Lock ESNA Light, 3/8-16
4	1722175	1	STOP, Belt
5	1924940	4	WASHER, 3/8
6	157081	2	SPACER
7	1719965	1	GRIP, Black Vinyl
8	1720444	1	ARM ASSEMBLY, Idler w/Bushings & Lube
9	1960614	1	CAPSCREW, Hex Head, 3/8-16 x 2-3/4 G8
10	1922755	6	WASHER, 3/8
11	1960615	1	CARRIAGE BOLT, 3/8-16 x 2-1/2
12	1657242	1	SPACER
13	1715435	1	SPRING, Extension
14	1921971	1	CAPSCREW, Hex Head, 3/8-16 x 1-3/4
15	1719562	2	PULLEY, Idler 22 Teeth
16	1719221	2	HUB
17	1928352	1	NUT, Hex Flange Whizlock, 3/8-16
18	1921969	2	CAPSCREW, Hex Head, 3/8-16 x 1-1/2
19	172329	2	SPACER
20	1713578	1	ROD, Mower Hitch
21	156302	1	SPRING, Extension
22	1715759	1	ROD
23	1720044	1	HITCH, Mower
24	1960519	1	NUT, Push On
25	1721425	1	WASHER & LOCK NUT ASSEMBLY, 3/8-16
26	1674671	1	SPRING, Extension
27	1719923	1	ARM, Idler
28	1666697	1	SPACER
29	1930601	1	CAPSCREW, Hex Washer Head, Taptite, 5/16-18 x 1/2
30	1923701	1	CAPSCREW, Hex Head, 3/8-16 x 2
31	1721117	1	BELT, Timing, Arbor Drive
32	1922694	2	NUT, Hex Lock ESNA Heavy, 3/8-16
33	1933263	1	WASHER
34	960641	2	NUT, Hex Lock Alum Insert, 3/8-16 (SN 2000 and above)

Footnotes:

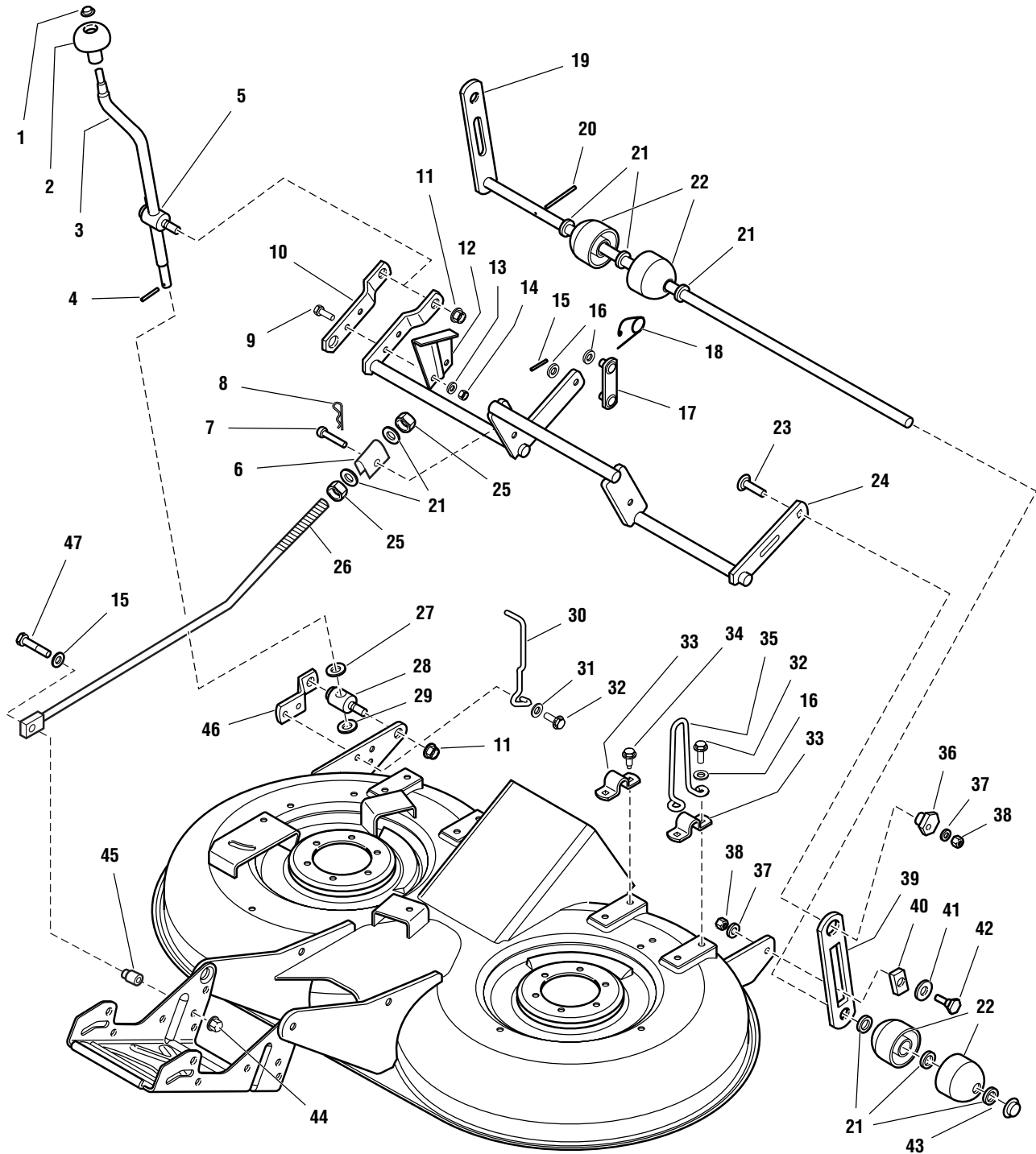
The above parts group applies to the following Mfg. Nos.:

1693554 40" Mower Deck
1693560 40" Mower Deck
1693585 40" Mower Deck
1693575 102 cm Mower Deck (Export)

40" (102 cm) Mower Deck – Height Adjustment & Rollers - (Early Models)

985540SN1-100

NOTE: Unless noted otherwise,
use the standard hardware torque
specification chart.



The above parts group applies to the following Mfg. Nos.:

1693585 40" Mower Deck, S/N Range 1 to 186

1693575 102 cm Mower Deck (Export), S/N Range 1 to 374

40" (102 cm) Mower Deck – Height Adjustment & Rollers - (Early Models)

REF NO.	PART NO.	QTY.	DESCRIPTION
1	1960093	1	PAL NUT
2	1714084	1	KNOB, Spinner
3	1719901	1	CRANK, Height Adjust
4	916001	1	PIN, Spring
5	1704087	1	TRUNNION, Rod
6	1706645	1	TRUNNION, Bracket
7	118053	1	PIN, Round Head, Drilled, 3/8 x 2
8	1960074	1	CLIP, Hair Pin
9	1926149	2	CAPSCREW, Hex Head, 5/16-18 x 1 G8
10	1704083	1	ARM, Rear Adjustable
11	1930644	2	NUT, Hex FlangeTwo-Way Lock, 1/2-13
12	1704116	1	BRACKET, Height of Cut
13	1917356	2	LOCKWASHER, 5/16
14	1917372	2	NUT, Hex, 5/16-18
15	1918448	1	PIN, Cotter
16	1924940	5	WASHER, 3/8
17	1705049	1	LINK & WELD PINS ASSEMBLY, Lower Lift
18	176012	1	RETAINER, Pin, Spring
19	1719543	1	SHAFT & BAR ASSEMBLY, Roller
20	1923500	1	PIN, Cotter
21	1924366	14	WASHER, 5/8
22	1717675	6	ROLLER
23	1931352	1	CARRIAGE BOLT, 3/8-16 x 1-1/2
24	1719180	1	SHAFT & ARMS ASSEMBLY, 40" Rear
25	1915726	2	NUT, Hex, 5/8-11
26	1719261	1	ROD, Adjustment
27	1960170	1	WASHER, 1/2
28	1704086	1	TRUNNION, Threaded
29	1704097	1	WASHER, Detent
30	1719208	1	INDICATOR, Height of Cut
31	1919326	1	WASHER, 5/16
32	1960373	4	SCREW, Hex Washer Head, Taptite, 5/16-18 x 1
33	1665374	4	STRAP, Roller Support
34	1664847	6	SCREW, Hex Washer Head, Taptite, 5/16-18 x 3/4
35	1719929	2	STOP, Up Wire
36	1704082	1	NUT, Hex Adjusting
37	1916965	2	LOCKWASHER, 3/4
38	1916950	2	NUT, Hex, 3/8-16
39	1704073	1	BAR, Roller
40	1677507	1	SLIDE, Roller
41	1924361	1	WASHER, 1/2
42	172622	1	BOLT, Shoulder, 3/8-16
43	1960520	1	NUT, Push On
44	1922694	1	NUT, Hex lock ESNA Heavy, 3/8
45	1706644	1	SPACER
46	1704077	1	STRAP, Trunnion Retainer
47	1922606	1	CAPSCREW, Hex Head, 3/8-16 x 1-3/4 G8

Footnotes:

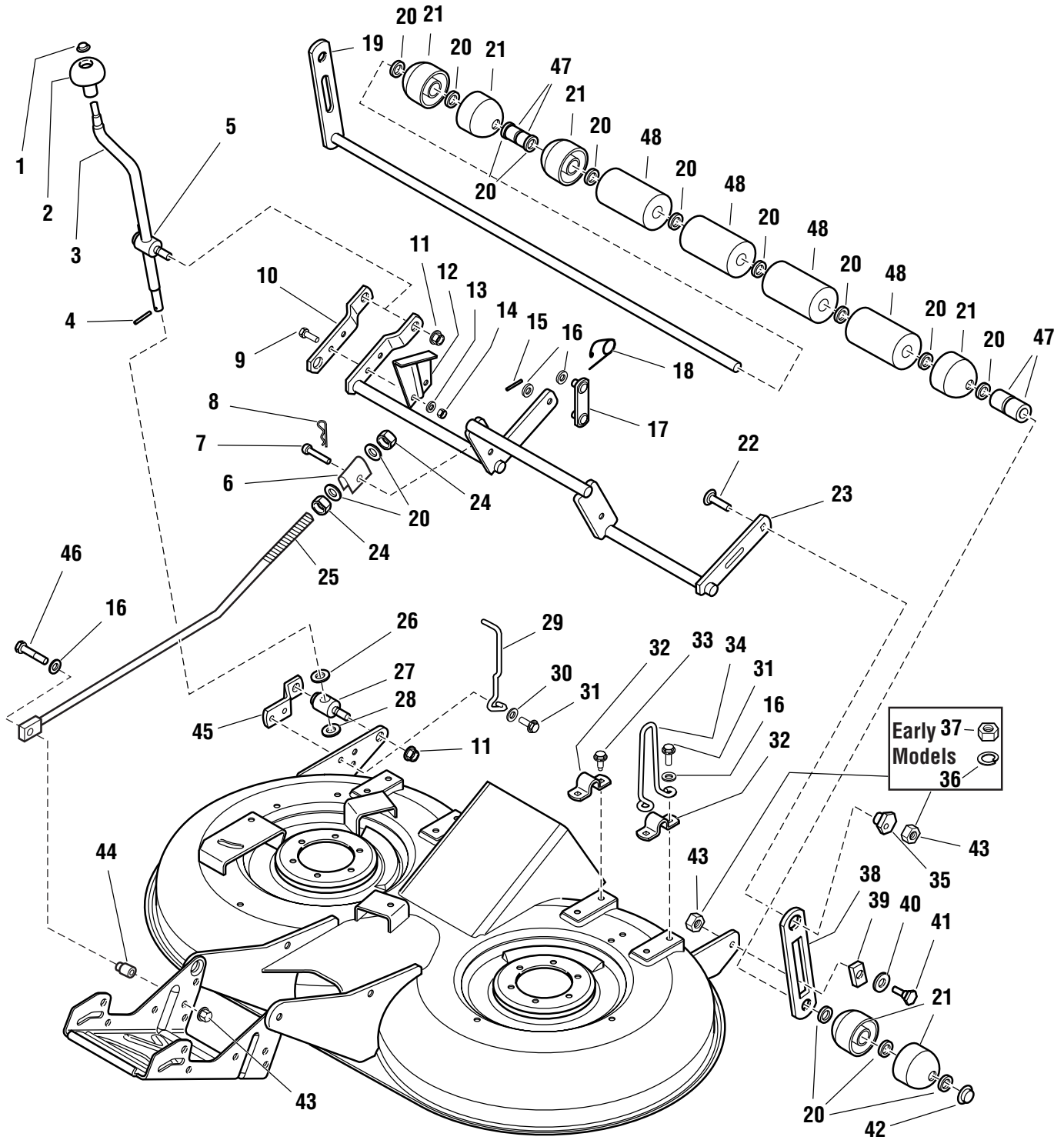
The above parts group applies to the following Mfg. Nos.:

1693585 40" Mower Deck, S/N Range 1 to 186

1693575 102 cm Mower Deck (Export), S/N Range 1 to 374

40" (102 cm) Mower Deck – Height Adjustment & Rollers - (Later Models)

NOTE: Unless noted otherwise, use the standard hardware torque specification chart.



The above parts group applies to the following Mfg. Nos.:

- 1693554 40" Mower Deck
- 1693560 40" Mower Deck
- 1693585 40" Mower Deck, **S/N Range 186 and up**
- 1693575 102 cm Mower Deck (Export), **S/N Range 374 and up**

40" (102 cm) Mower Deck – Height Adjustment & Rollers - (Later Models)

REF NO.	PART NO.	QTY.	DESCRIPTION
1	1960093	1	PAL NUT
2	1714084	1	KNOB, Spinner
3	1719901	1	CRANK, Height Adjust
4	916001	1	PIN, Spring
5	1704087	1	TRUNNION, Rod
6	1706645	1	TRUNNION, Bracket
7	118053	1	PIN, Round Head, Drilled, 3/8 x 2
8	1960074	1	CLIP, Hair Pin
9	1926149	2	CAPSCREW, Hex Head, 5/16-18 x 1 G8
10	1704083	1	ARM, Rear Adjustable
11	1930644	2	NUT, Hex Flagne Two-Way Lock, 1/2-13
12	1704116	1	BRACKET, Height of Cut
13	1917356	2	LOCKWASHER, 5/16
14	1917372	2	NUT, Hex, 5/16-18
15	1918448	1	PIN, Cotter
16	1924940	5	WASHER, 3/8
17	1705049	1	LINK & WELD PINS ASSEMBLY, Lower Lift
18	176012	1	RETAINER, Pin, Spring
19	1686686	1	SHAFT & BAR ASSEMBLY, Roller
20	1924366	15	WASHER, 5/8
21	1717675	5	ROLLER
22	1931352	1	CARRIAGE BOLT, 3/8-16 x 1-1/2
23	1719180	1	SHAFT & ARMS ASSEMBLY, 40" Rear
24	1915726	2	NUT, Hex, 5/8-11
25	1719261	1	ROD, Adjustment
26	1960170	1	WASHER, 1/2
27	1704086	1	TRUNNION, Threaded
28	1704097	1	WASHER, Detent
29	1719208	1	INDICATOR, Height of Cut
30	1919326	1	WASHER, 5/16
31	1919381	4	CAPSCREW, Hex Washer Head, Taptite, 5/16-18 x 1
32	1665374	4	STRAP, Roller Support
33	1664847	6	CAPSCREW, Hex Washer Head, Taptite, 5/16-18 x 3/4
34	1719929	2	STOP, Up Wire
35	1704082	1	NUT, Hex Adjusting
36	1916965	2	LOCKWASHER, 3/4 (Early Models)
37	1916950	2	NUT, Hex, 3/8-16 (Early Models)
38	1704073	1	BAR, Roller
39	1677507	1	SLIDE, Roller
40	1924361	1	WASHER, 1/2
41	172622	1	BOLT, Shoulder, 3/8-16
42	1960520	1	NUT, Push On
43	960641	3	NUT, Hex Lock Alum Insert, 3/8-16 (Later Models)
44	1706644	1	SPACER
45	1704077	1	STRAP, Trunnion Retainer
46	1922606	1	CAPSCREW, Hex Head, 3/8-16 x 1-3/4 G8
47	1709195	4	SPACER
48	1668513	4	ROLLER

Footnotes:

The above parts group applies to the following Mfg. Nos.:

- 1693554 40" Mower Deck
- 1693560 40" Mower Deck
- 1693585 40" Mower Deck, **S/N Range 186 and up**
- 1693575 102 cm Mower Deck (Export), **S/N Range 374 and up**

Part Number Index by Page Number

Part No.	Page No	Ref No.	Part No.	Page No	Ref No.	Part No.	Page No	Ref No.	Part No.	Page No	Ref No.	Part No.	Page No	Ref No.
*	6	9	927794	28	20	1676130	26	5	1704087	46	5	1708361	20	31
*	10	76	930598	6	17	1676183	6	31	1704097	44	29	1708649	10	16
*	10	77	930598	24	22	1676278	34	8	1704097	46	28	1708650	10	13
*	10	78	930670	4	36	1676278	36	8	1704108	20	24	1708651	10	12
*	10	79	932747	24	2	1676519	28	10	1704112	26	28	1708653	10	17
*	32	16	934683	6	1	1676519	28	21	1704116	44	12	1708667	10	21
101025	26	33	960112	6	10	1677247	36	33	1704116	46	12	1708673	10	24
101096	40	2	960202	28	13	1677247	38	33	1704299	20	13	1708689	10	53
101096	42	2	960530	2	30	1677296	26	21	1704311	2	26	1708691	10	9
105337	6	22	960641	42	34	1677370	18	40	1704314	2	31	1708692	10	50
106681	8	26	960641	46	43	1677371	18	37	1704349	26	27	1708764	6	15
118053	44	7	960644	38	10	1677507	44	40	1704351	2	23	1708927	30	2
118053	46	7	1603618	26	17	1677507	46	39	1704357	6	33	1708927	32	2
122023	24	16	1611705	4	27	1679385	2	28	1704379	24	13	1709188	18	7
156302	40	21	1611710	28	9	1685215	26	26	1704419	6	18	1709195	46	47
156302	42	21	1612103	26	29	1685290	26	11	1704420	4	30	1709238	18	21
157081	40	6	1654930	20	23	1685478	4	24	1704420	14	29	1709256	20	17
157081	42	6	1655729	34	6	1686686	46	19	1704425	16	10	1709307	20	2
158399	16	21	1655729	36	6	1686734	26	3	1704614	26	32	1709308	20	14
171600	18	25	1655729	38	6	1686784	34	25	1704623	16	7	1709856	28	11
171600	34	31	1655777	34	16	1686784	36	25	1704626	18	31	1709950	14	41
171600	36	31	1655777	36	16	1686784	38	25	1704628	18	32	1713091	34	11
171600	38	31	1655777	38	16	1686817	34	32	1704629	14	12	1713091	36	11
172329	40	19	1656916	34	3	1686817	36	32	1704632	26	23	1713091	38	11
172329	42	19	1656916	36	3	1686817	38	32	1704723	20	38	1713163	24	19
172353	28	5	1656916	38	3	1700229	34	15	1704724	20	19	1713163	26	30
172353	28	18	1657242	40	12	1700229	36	15	1704728	20	36	1713166	28	2
172434	6	27	1657242	42	12	1700229	38	15	1704756	14	16	1713167	28	4
172434	20	4	1657528	34	17	1700230	34	14	1704878	18	34	1713170	28	15
172622	44	42	1657969	34	5	1700230	36	14	1704879	18	22	1713187	6	21
172622	46	41	1657969	36	5	1700230	38	14	1704927	18	15	1713447	2	14
173477	28	16	1657969	38	5	1701229	20	33	1705049	44	17	1713578	40	20
174561	8	12	1663114	14	1	1701229	24	6	1705049	46	17	1713578	42	20
174561	14	26	1663136	8	42	1701435	28	8	1705248	18	29	1713846	6	12
174896	16	18	1663752	20	7	1701435	28	19	1705249	18	28	1713855	16	11
176012	44	18	1664090	28	3	1702779	4	21	1705590	16	3	1714068	6	13
176012	46	18	1664847	34	22	1703240	18	1	1706553	8	37	1714084	44	2
176440	2	32	1664847	44	34	1703248	18	36	1706644	44	45	1714084	46	2
176440	4	11	1664847	46	33	1703249	18	38	1706644	46	44	1714255	8	36
176440	8	25	1665237	26	13	1703273	34	9	1706645	44	6	1714400	4	1
176440	16	9	1665238	26	12	1703273	36	9	1706645	46	6	1714441	20	37
176440	18	10	1665374	44	33	1703273	38	9	1706956	4	31	1714770	24	7
912808	28	6	1665374	46	32	1703475	2	33	1706996	4	32	1715025	16	16
916001	44	4	1666697	2	8	1703508	4	9	1706997	4	28	1715032	28	7
916001	46	4	1666697	8	44	1703513	4	14	1707137	20	16	1715308	4	25
916168	16	15	1666697	40	28	1703799	26	10	1707232	24	20	1715435	40	13
916622	24	17	1666697	42	28	1703900	8	4	1707334	6	3	1715435	42	13
916964	26	19	1667346	6	6	1703945	18	35	1707335	34	7	1715759	40	22
920426	26	15	1667811	14	25	1703946	18	39	1707335	36	7	1715759	42	22
920427	6	16	1668513	46	48	1704073	44	39	1707335	38	7	1715834	14	4
920427	14	10	1668819	24	18	1704073	46	38	1707471	20	28	1715835	14	5
920427	24	21	1668819	26	14	1704077	44	46	1707789	10	6	1715917	20	21
920594	26	22	1670675	18	20	1704077	46	45	1707839	10	15	1716128	18	27
921319	26	18	1673453	6	7	1704082	44	36	1707879	10	49	1716132	28	17
923341	26	25	1673796	4	16	1704082	46	35	1707912	10	47	1716332	26	6
923471	34	21	1674358	24	1	1704083	44	10	1708007	22	6	1717163	26	34
923471	36	21	1674671	40	26	1704083	46	10	1708084	4	23	1717186	14	43
925094	24	4	1674671	42	26	1704086	44	28	1708236	4	18	1717425	8	27
927120	38	21	1675044	36	17	1704086	46	27	1708264	6	26	1717451	28	14
927794	8	24	1675044	38	17	1704087	44	5	1708298	2	17	1717519	18	2

Part Number Index by Page Number

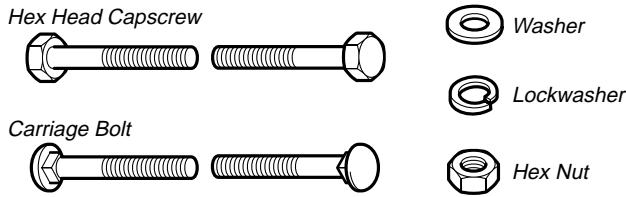
Part No.	Page No	Ref No.	Part No.	Page No	Ref No.	Part No.	Page No	Ref No.	Part No.	Page No	Ref No.	Part No.	Page No	Ref No.
1717549	26	8	1718596	26	24	1719978	18	17	1720442	10	70	1721702	20	1
1717550	26	9	1718678	6	11	1719981	16	22	1720444	40	8	1721965	10	42
1717675	44	22	1718856	2	34	1719985	34	19	1720444	42	8	1721966	10	46
1717675	46	21	1718858	20	8	1719988	16	17	1720447	20	12	1721983	22	9
1717692	30	13	1718944	14	3	1719989	16	14	1720454	30	9	1721987	6	42
1717692	32	14	1719180	44	24	1719990	16	19	1720454	32	10	1722006	18	14
1717706	30	3	1719180	46	23	1719993	8	19	1720458	22	15	1722092	2	6
1717706	32	3	1719206	20	22	1719999	24	5	1720460	30	10	1722175	42	4
1717749	10	75	1719208	44	30	1719999	26	2	1720460	32	11	1722257	36	20
1717749	28	12	1719208	46	29	1720001	24	15	1720504	30	11	1722257	38	20
1717765	14	2	1719221	40	16	1720007	14	6	1720504	32	12	1722258	34	23
1717767	14	42	1719221	42	16	1720008	22	16	1720505	30	12	1722258	36	23
1717769	14	31	1719253	8	43	1720009	22	18	1720505	32	13	1722258	38	23
1717936	2	1	1719261	44	26	1720010	22	11	1720507	6	5	1722384	30	14
1717989	16	4	1719261	46	25	1720011	22	17	1720532	6	23	1722384	32	19
1718014	14	17	1719268	8	6	1720013	22	10	1720587	34	20	1722396	38	8
1718016	14	28	1719269	8	32	1720017	6	8	1720658	30	7	1722474	32	21
1718052	10	2	1719271	14	21	1720018	8	38	1720660	30	5	1722475	32	20
1718053	10	3	1719312	8	30	1720019	8	1	1720661	30	6	1915726	44	25
1718054	10	4	1719351	22	14	1720020	22	1	1720724	14	40	1915726	46	24
1718055	10	5	1719355	2	2	1720022	8	39	1720882	14	39	1916622	20	25
1718061	10	11	1719392	20	35	1720036	8	46	1721107	32	18	1916622	26	20
1718069	10	74	1719471	4	3	1720041	2	3	1721108	32	15	1916950	2	20
1718070	10	19	1719543	44	19	1720044	40	23	1721111	20	20	1916950	8	9
1718071	10	20	1719562	40	15	1720044	42	23	1721117	40	31	1916950	14	8
1718073	10	22	1719562	42	15	1720083	22	13	1721117	42	31	1916950	44	38
1718076	10	25	1719679	20	29	1720099	28	22	1721133	14	32	1916950	46	37
1718077	10	26	1719681	24	3	1720108	8	34	1721141	30	15	1916951	2	35
1718078	10	27	1719712	20	39	1720109	6	35	1721141	32	17	1916964	8	21
1718079	10	28	1719731	2	10	1720110	6	28	1721146	18	41	1916964	20	26
1718080	10	29	1719736	34	24	1720117	26	1	1721153	34	13	1916965	2	21
1718081	10	30	1719736	36	24	1720118	24	14	1721153	36	13	1916965	8	10
1718083	10	32	1719736	38	24	1720119	24	11	1721153	38	13	1916965	14	7
1718084	10	33	1719737	34	18	1720120	24	12	1721154	34	26	1916965	44	37
1718086	10	35	1719737	36	18	1720122	4	12	1721169	2	19	1916965	46	36
1718087	10	36	1719737	38	18	1720223	14	44	1721171	2	7	1917356	6	37
1718088	10	37	1719739	18	4	1720224	14	19	1721172	2	9	1917356	8	17
1718089	10	38	1719766	34	4	1720232	16	12	1721174	2	36	1917356	14	38
1718097	10	45	1719766	36	4	1720233	14	13	1721175	22	19	1917356	22	4
1718100	10	51	1719766	38	4	1720326	18	8	1721176	10	1	1917356	44	13
1718101	10	52	1719809	20	15	1720327	18	6	1721177	10	18	1917356	46	13
1718102	10	54	1719810	4	4	1720328	18	9	1721178	10	40	1917372	6	38
1718103	10	55	1719842	40	4	1720329	18	3	1721179	10	41	1917372	8	16
1718104	10	56	1719845	18	18	1720389	32	5	1721181	10	43	1917372	22	8
1718107	10	59	1719862	34	12	1720390	32	6	1721182	10	44	1917372	44	14
1718109	10	61	1719862	36	12	1720391	32	7	1721184	10	48	1917372	46	14
1718110	10	62	1719862	38	12	1720392	32	8	1721185	10	68	1918199	6	25
1718111	10	63	1719901	44	3	1720401	24	8	1721197	30	1	1918447	8	28
1718112	10	64	1719901	46	3	1720412	30	8	1721197	32	1	1918447	14	18
1718113	10	65	1719902	8	23	1720412	32	9	1721202	6	40	1918448	44	15
1718114	10	66	1719923	40	27	1720417	10	7	1721203	18	26	1918448	46	15
1718115	10	67	1719923	42	27	1720418	10	8	1721254	36	26	1919262	4	22
1718117	10	71	1719929	44	35	1720419	10	10	1721254	38	26	1919314	4	5
1718119	10	69	1719929	46	34	1720420	10	14	1721258	36	19	1919326	2	12
1718120	10	39	1719939	22	2	1720424	10	23	1721258	38	19	1919326	6	30
1718121	10	72	1719940	16	23	1720425	10	31	1721425	40	25	1919326	6	41
1718122	10	73	1719965	40	7	1720426	10	34	1721425	42	25	1919326	8	3
1718219	16	8	1719965	42	7	1720439	10	57	1721446	6	13	1919326	14	22
1718508	30	4	1719966	2	5	1720440	10	58	1721533	40	1	1919326	44	31
1718508	32	4	1719972	2	24	1720441	10	60	1721533	42	1	1919326	46	30

Part Number Index by Page Number

Part No.	Page No	Ref No.	Part No.	Page No	Ref No.	Part No.	Page No	Ref No.	Part No.	Page No	Ref No.	Part No.	Page No	Ref No.
1919381	8	18	1924940	20	5	1935255	6	36	1960624	6	4			
1919381	16	5	1924940	40	5	1936228	6	29	41686784	34	25			
1919381	22	7	1924940	42	5	1936723	34	1	41686784	36	25			
1919381	46	31	1924940	44	16	1936723	36	1	41686784	38	25			
1919438	4	17	1924940	46	16	1960020	4	29	41703240	18	1			
1919438	8	41	1925003	18	12	1960020	14	30	41704878	18	34			
1919438	14	15	1925003	20	32	1960027	16	20	41704879	18	22			
1919438	16	6	1925003	24	10	1960043	2	18	41719679	20	29			
1919438	20	18	1926149	44	9	1960044	14	14						
1919439	20	6	1926149	46	9	1960070	14	20						
1919439	40	3	1927428	18	11	1960074	2	16						
1919439	42	3	1927557	2	15	1960074	44	8						
1920263	26	16	1928352	4	10	1960074	46	8						
1920283	22	3	1928352	14	23	1960093	44	1						
1920397	18	16	1928352	20	10	1960093	46	1						
1921210	8	7	1928352	40	17	1960096	18	24						
1921221	4	13	1928352	42	17	1960096	34	30						
1921319	18	19	1928721	4	34	1960096	36	30						
1921319	20	27	1928721	4	35	1960096	38	30						
1921319	24	9	1928957	40	9	1960114	4	6						
1921332	22	5	1930584	38	1	1960136	14	9						
1921333	6	39	1930585	34	10	1960160	28	1						
1921719	8	33	1930585	36	10	1960170	44	27						
1921968	4	15	1930594	18	42	1960170	46	26						
1921968	4	26	1930598	6	20	1960223	8	15						
1921969	40	18	1930601	2	13	1960223	16	1						
1921969	42	18	1930601	18	33	1960270	2	29						
1921971	14	27	1930601	20	34	1960295	6	2						
1921971	40	14	1930601	40	29	1960295	18	13						
1921971	42	14	1930601	42	29	1960339	14	36						
1922127	8	13	1930644	44	11	1960353	8	22						
1922606	44	47	1930644	46	11	1960368	6	34						
1922606	46	46	1930645	4	20	1960368	18	5						
1922611	14	35	1930810	8	29	1960369	26	31						
1922694	8	35	1931277	2	27	1960370	6	24						
1922694	40	32	1931335	8	45	1960373	2	4						
1922694	42	32	1931335	22	12	1960373	4	33						
1922694	44	44	1931337	14	11	1960373	18	30						
1922755	4	19	1931339	20	3	1960373	36	22						
1922755	14	34	1931339	20	40	1960373	38	22						
1922755	40	10	1931342	6	32	1960373	44	32						
1922755	42	10	1931350	2	25	1960404	34	28						
1923325	8	2	1931350	4	8	1960404	36	28						
1923360	16	13	1931350	20	9	1960404	38	28						
1923362	14	37	1931352	8	8	1960459	20	30						
1923500	44	20	1931352	44	23	1960519	40	24						
1923701	40	30	1931352	46	22	1960519	42	24						
1923701	42	30	1931353	14	33	1960520	44	43						
1924356	16	2	1931648	20	11	1960520	46	42						
1924361	44	41	1933263	34	2	1960529	4	7						
1924361	46	40	1933263	36	2	1960536	6	14						
1924366	44	21	1933263	38	2	1960536	26	4						
1924366	46	20	1933263	42	33	1960540	4	2						
1924856	34	27	1933896	18	23	1960547	26	7						
1924856	36	27	1933896	34	29	1960590	2	11						
1924856	38	27	1933896	36	29	1960590	8	31						
1924874	8	40	1933896	38	29	1960613	8	20						
1924940	6	19	1935041	2	22	1960614	42	9						
1924940	8	11	1935048	8	5	1960615	40	11						
1924940	14	24	1935048	8	14	1960615	42	11						

Hardware Identification & Torque Specifications

Common Hardware Types

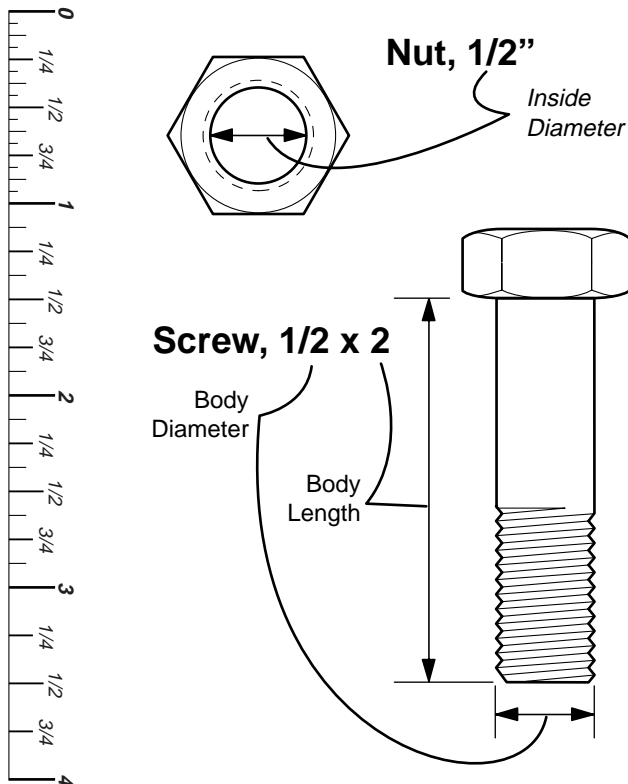


Standard Hardware Sizing

When a washer or nut is identified as **1/2"**, this is the *Nominal size*, meaning the *inside diameter* is 1/2 inch; if a second number is present it represent the *threads per inch*

When bolt or capscrew is identified as **1/2 - 16 x 2"**, this means the *Nominal size*, or *body diameter* is 1/2 inch; the second number represents the *threads per inch* (16 in this example, and the final number is the *body length* of the bolt or screw (in this example 2 inches long).

The guides and ruler furnished below are designed to help you select the appropriate hardware and tools.



Torque Specification Chart

FOR STANDARD MACHINE HARDWARE (Tolerance $\pm 20\%$)

Hardware Grade	No Marks		SAE Grade 2		SAE Grade 5		SAE Grade 8	
	in/lbs ft/lbs	Nm.	in/lbs ft/lbs	Nm.	in/lbs ft/lbs	Nm.	in/lbs ft/lbs	Nm.
8-32	19	2.1	30	3.4	41	4.6		
8-36	20	2.3	31	3.5	43	4.9		
10-24	27	3.1	43	4.9	60	6.8		
10-32	31	3.5	49	5.5	68	7.7		
1/4-20	66	7.6	8	10.9	12	16.3		
1/4-28	76	8.6	10	13.6	14	19.0		
5/16-18	11	15.0	17	23.1	25	34.0		
5/16-24	12	16.3	19	25.8	27	34.0		
3/8-16	20	27.2	30	40.8	45	61.2		
3/8-24	23	31.3	35	47.6	50	68.0		
7/16-14	30	40.8	50	68.0	70	95.2		
7/16-20	35	47.6	55	74.8	80	108.8		
1/2-13	50	68.0	75	102.0	110	149.6		
1/2-20	55	74.8	90	122.4	120	163.2		
9/16-12	65	88.4	110	149.6	150	204.0		
9/16-18	75	102.0	120	163.2	170	231.2		
5/8-11	90	122.4	150	204.0	220	299.2		
5/8-18	100	136	180	244.8	240	326.4		
3/4-10	160	217.6	260	353.6	386	525.0		
3/4-16	180	244.8	300	408.0	420	571.2		
7/8-9	140	190.4	400	544.0	600	816.0		
7/8-14	155	210.8	440	598.4	660	897.6		
1-8	220	299.2	580	788.8	900	1,244.0		
1-12	240	326.4	640	870.4	1,000	1,360.0		

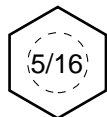
NOTES

- These torque values are to be used for all hardware excluding: locknuts, self-tapping screws, thread forming screws, sheet metal screws and socket head setscrews.
- Recommended seating torque values for locknuts:
 - for prevailing torque locknuts - use 65% of grade 5 torques.
 - for flange whizlock nuts and screws - use 135% of grade 5 torques.
- Unless otherwise noted on assembly drawings, all torque values must meet this specification.

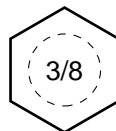
Wrench & Fastener Size Guide



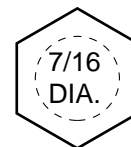
1/4" Bolt or Nut
Wrench—7/16"



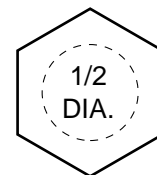
5/16" Bolt or Nut
Wrench—1/2"



3/8" Bolt or Nut
Wrench—9/16"



7/16" Bolt or Nut
Wrench (Bolt)—5/8"
Wrench (Nut)—11/16"



1/2" Bolt or Nut
Wrench—3/4"

Free Manuals Download Website

<http://myh66.com>

<http://usermanuals.us>

<http://www.somanuals.com>

<http://www.4manuals.cc>

<http://www.manual-lib.com>

<http://www.404manual.com>

<http://www.luxmanual.com>

<http://aubethermostatmanual.com>

Golf course search by state

<http://golfingnear.com>

Email search by domain

<http://emailbydomain.com>

Auto manuals search

<http://auto.somanuals.com>

TV manuals search

<http://tv.somanuals.com>