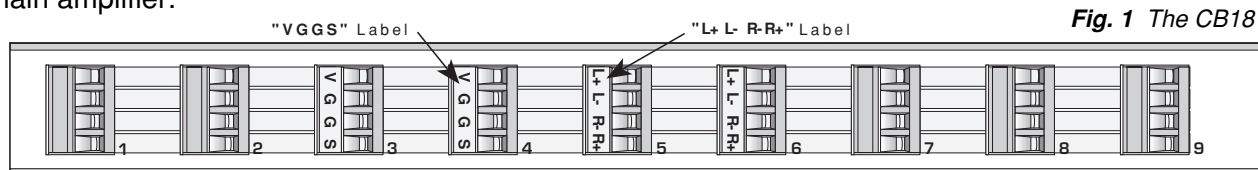


INSTALLATION INSTRUCTIONS

CB18 "THE STRIP-IR" PARALLEL CONNECTING BLOCK

The CB18 provides a convenient way to parallel many wires onto a common 2,3 or 4 conductor bus. You can easily connect many home run leads from multiple IR receivers to the input terminals of a Xantech connecting block, or from Xantech 760-00 Match Maker™ room volume controls to the output terminals of a main amplifier.



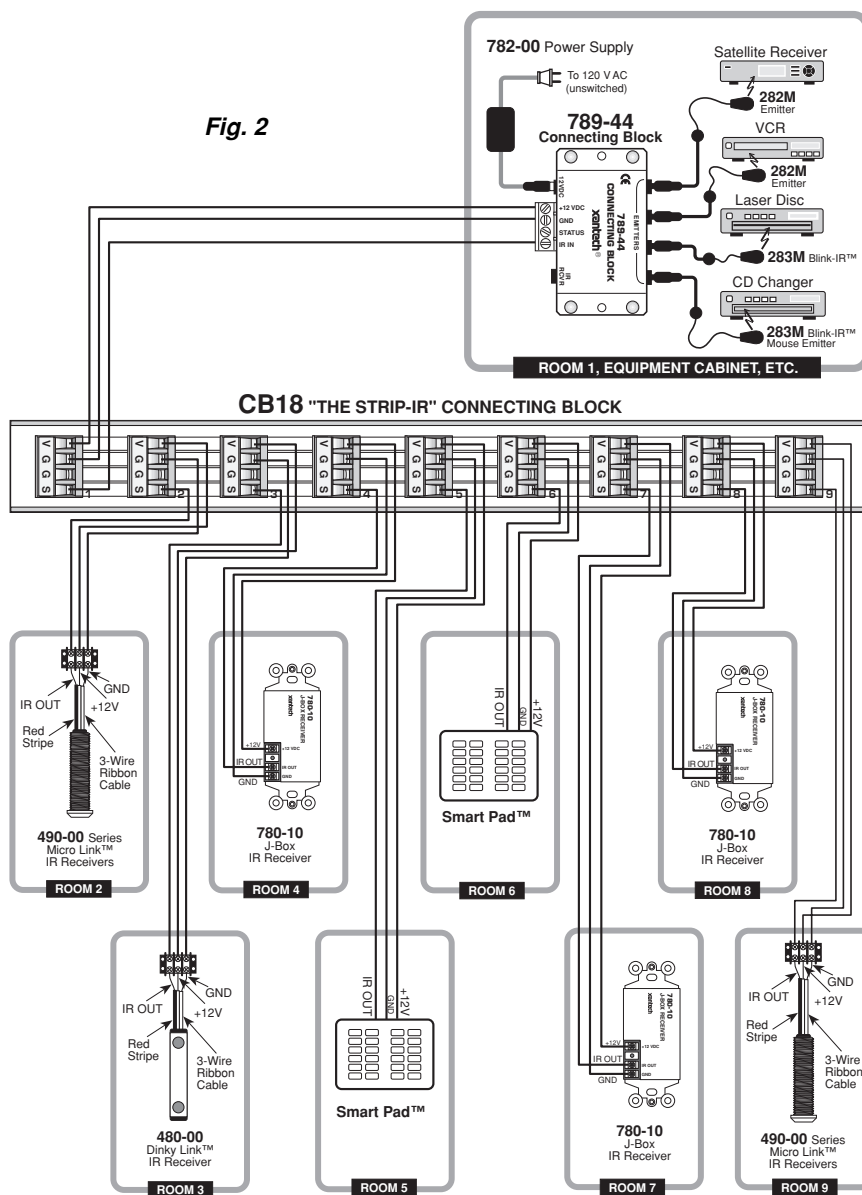
FEATURES AND SPECIFICATIONS

- Nine 4-terminal plug-in connectors on a 4-conductor bus.
- One-in eight-out or eight-in one-out capability.
- Adhesive backed labels are included for attachment to the plug-in terminals so that IR or speaker lead connections can be easily identified.
- High current design allows amplifiers rated as high as 500 watts to be used with the CB18.
- Screw terminals handle wire sizes from 24 to 12 gauge.
- Dimensions: 11 1/4" x 1-1/4" x 1-1/4".

INSTALLATION

When connecting an IR receiver/keypad system, begin by placing the "VGGS" labels on each of the terminal plugs as shown in Fig. 2. "V" stands for +12 Volts, "G" for Gnd and "S" for Signal (IR OUT). This will aid you in keeping track of your connections.

Fig. 2 illustrates how the CB18 may be used to connect 8 home runs from IR receivers and keypads to the input terminals of a 789-44 Connecting Block in a 9-room system.



When connecting speaker wiring, begin by placing the "L+L-R-R+" labels on each of the terminal plugs as shown in **Fig. 3**. "L+" stands for Left channel positive, "L-" stands for Left channel negative, "R-" stands for Right channel negative and "R+" stands for Right channel positive.

Fig. 3 illustrates how the CB18 may be used to connect 8 stereo pairs of home run speaker wires between the output of a main amplifier or receiver and the inputs of 8 Xantech 760-00 Match Maker volume controls.

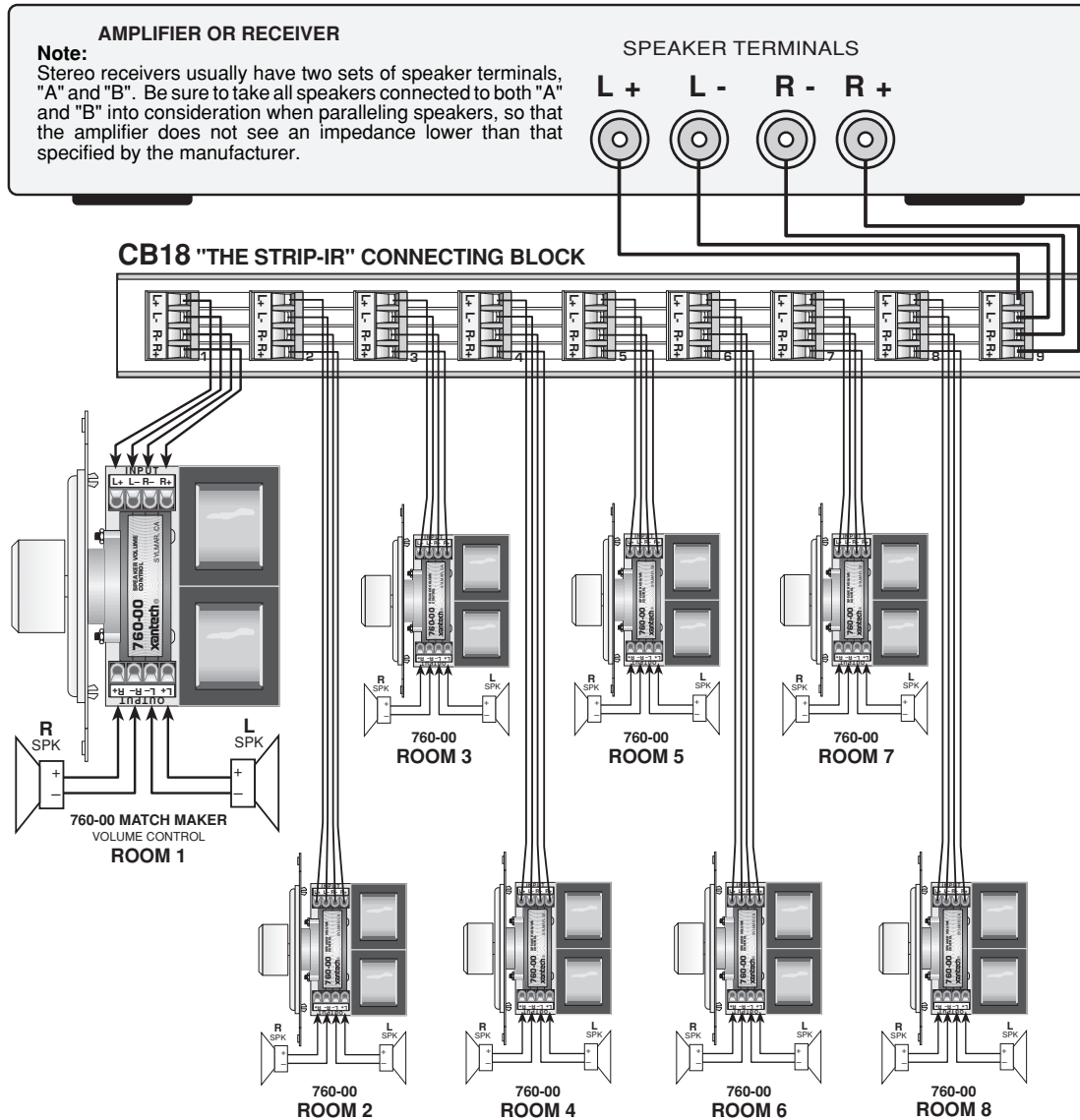


Fig. 3

INSTALLATION NOTES

- If you have more than 8 stereo pairs of speaker leads or IR signal connections, you may "double-up" on each terminal plug as needed.
- You may also parallel two CB18's "end-to-end" to gain more connections.
- When paralleling speaker pairs, be sure to follow the instructions that come with the 760-00 Match Maker volume controls.
- When paralleling IR receivers, a maximum of 12 is recommended. More than this may result in unreliable operation due to the buildup of IR noise.
- The Smart Pad™keypads may be paralleled in larger numbers. They are not subject to IR noise limitation.
- The CB18 may be mounted to a flat surface using the 2 keyholes in the bottom tray & the screws provided. Or you can use the two pieces of double-sided adhesive tape, also included.

Free Manuals Download Website

<http://myh66.com>

<http://usermanuals.us>

<http://www.somanuals.com>

<http://www.4manuals.cc>

<http://www.manual-lib.com>

<http://www.404manual.com>

<http://www.luxmanual.com>

<http://aubethermostatmanual.com>

Golf course search by state

<http://golfingnear.com>

Email search by domain

<http://emailbydomain.com>

Auto manuals search

<http://auto.somanuals.com>

TV manuals search

<http://tv.somanuals.com>