



WHITE-RODGERS

1F97W-71

7-Day Electronic Digital Thermostat

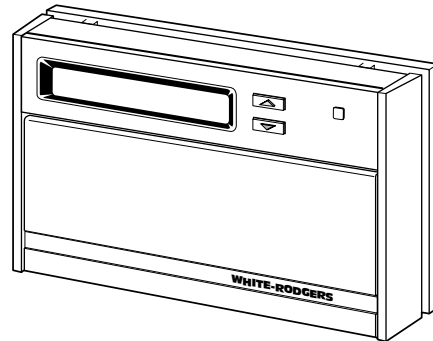
INSTALLATION INSTRUCTIONS

Operator: Save these instructions for future use!

FAILURE TO READ AND FOLLOW ALL INSTRUCTIONS CAREFULLY BEFORE INSTALLING OR OPERATING THIS CONTROL COULD CAUSE PERSONAL INJURY AND/OR PROPERTY DAMAGE.

DESCRIPTION

This wall-mounted, low voltage thermostat maintains room temperature by controlling the operation of heating and cooling systems. The user may program up to four time/temperature settings per 24 hour period. The thermostat stores independent heating and cooling programs for each day of the week. The thermostat will store both heating and cooling programs simultaneously. Three "AA" Energizer® batteries will maintain the stored program for approximately one year, if incoming power should fail. If power failure is extensive and the program is lost, after power restoration, the thermostat will automatically maintain a factory preprogrammed heating temperature of 64°F or a cooling temperature of 82°F.



PRECAUTIONS

If in doubt about whether your wiring is millivolt, line, or low voltage, have it inspected by a qualified heating and air conditioning contractor, electrician, or someone familiar with basic electricity and wiring.

Do not exceed the specification ratings.

All wiring must conform to local and national electrical codes and ordinances.

This control is a precision instrument, and should be handled carefully. Rough handling or distorting components could cause the control to malfunction.

CONTENTS

Description	1
Precautions	1
Specifications	2
Installation	2
New Installation	
Select Thermostat Location	
Route Wires to Location	
Replacement Installation	
Remove Old Thermostat	
Attach Subbase to Wall	
Attach Thermostat to Subbase	
Operation	6
System Configuration	
A. Set Group A Option Switches	
B. Set Group B Option Switches	
C. Electric Heat Systems	
Check Thermostat Operation	
Fan Operation	
Heating System	
Cooling System	
Troubleshooting	

⚠ CAUTION

To prevent electrical shock and/or equipment damage, disconnect electric power to system, at main fuse or circuit breaker box, until installation is complete.

⚠ WARNING

Do not use on circuits exceeding specified voltage. Higher voltage will damage control and could cause shock or fire hazard.

Do not short out terminals on gas valve or primary control to test. Short or incorrect wiring will burn out thermostat and could cause personal injury and/or property damage.



WHITE-RODGERS DIVISION
EMERSON ELECTRIC CO.
9797 REAVIS ROAD
ST. LOUIS, MISSOURI 63123

Printed in U.S.A.

PART NO. 37-5091A

9139

SPECIFICATIONS

ELECTRICAL DATA

Electrical Rating:

17 to 30v AC 50/60 Hz.

0.05 to 1.5 Amps

1.5 Amps Maximum Total Load (All terminals combined)

Anticipation:

Heating 2 to 40

Cooling 4 to 40

} **Reference Values**

THERMAL DATA

Setpoint Temperature Range:

40° F to 99°F (4°C to 37° C)

Operating Ambient Temperature Range:

32°F to 105°F

Operating Humidity Range:

0 to 90% RH (non-condensing)

Shipping Temperature Range:

-40°F to 150°F

APPLICATIONS

For use with:

- Standard heat/cool, heat-only, or cool-only systems
- Three-wire zone valve systems
- Millivolt systems
- Electric heat systems
- Gas or oil fired systems
- Gas systems with intermittent ignition devices (I.I.D.) and/or vent dampers

Do not use with:

- Multi-stage systems
- Heat pump systems
- Systems exceeding 30v AC and 1.5 Amps

ACCESSORIES

Remote Sense Kit W. R. Part No. F145-1049

Thermostat Guard W. R. Part No. F29-0198 (clear) or F29-0238 (opaque)

INSTALLATION

NEW INSTALLATION

You should program the thermostat with batteries installed before attaching on subbase. See **OPERATION GUIDE** for programming instructions.

SELECT THERMOSTAT LOCATION

Proper location insures that the thermostat will provide a comfortable building temperature. Observe the following general rules when selecting a location:

1. Locate thermostat about 5 ft. above the floor.
2. Install thermostat on a partitioning wall, not on an outside wall.
3. Never expose thermostat to direct light from lamps, sun, fireplaces or any temperature radiating equipment.
4. Avoid locations close to windows, adjoining outside walls, or doors that lead outside.
5. Avoid locations close to air registers or in the direct path of air from them.
6. Make sure there are no pipes or duct work in that part of the wall chosen for the thermostat location.
7. Never locate thermostat in a room that normally warmer or cooler than the rest of the building.
8. Avoid locations with poor air circulation, such as behind doors or in alcoves.

ROUTE WIRES TO LOCATION

NOTE

All wiring must conform with local and national electrical codes and ordinances.

1. Probe for obstructions in partition before drilling 1/2" hole in wall at selected location. Take up quarter round and drill a small guide hole for sighting (see Fig. 1). From basement, drill 3/4" hole in partition floor next to guide hole. In basementless buildings, drill 1/2" hole through ceiling and into partition from above.
2. Through this hole drop a light chain, or 6" chain attached to a strong cord. Snag cord in basement with hooked wire. In basementless buildings, drop cord through hole in ceiling and down partitioning; snag cord at the thermostat location.
3. Attach thermostat wire to cord and pull wire through hole in wall so that 6" of wire protrudes.

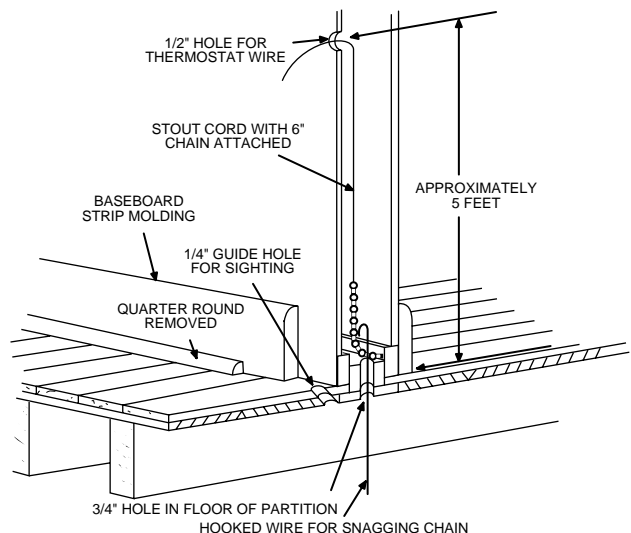


Figure 1. Routing Thermostat Wires

REPLACEMENT INSTALLATION

REMOVE OLD THERMOSTAT

1. Shut off electricity at the main fuse box until installation is complete. Verify power is off with a voltmeter.
2. Remove the front cover of the old thermostat. **With wires still attached**, remove wall plate from the wall.
3. If the old thermostat has a wall mounting plate, remove the thermostat and the wall mounting plate as an assembly.
4. **FOR HEATING ONLY SYSTEMS** — Disconnect the two wires from the old thermostat. Skip steps 5 through 7 below and proceed to **ATTACH SUBBASE TO WALL**.
5. **FOR HEATING/COOLING SYSTEMS** — Before removing wires from old thermostat, identify the terminals that have wires attached on the old thermostat. Then use Table 1 to identify the type of thermostat you are replacing. For example, if the old thermostat has wires attached to terminals R, W, Y, and G, the old thermostat is a type 5 (note that the old thermostat may not have wires attached to all the terminals identified in Table 1).
6. **Use the self-adhesive labels enclosed with your new thermostat to identify the wires attached to the old thermostat.** The labels correspond to the thermostat type number you identified in step 5 above (see Table 2). For example, if you determined that the old thermostat is a type 5, use the labels for the type 5 thermostat (you may not use all the labels for the type number you've identified if the old thermostat did not have wires attached to all the terminals).
7. Label each wire as you disconnect it. The labels have both the old terminal markings and the new terminal identification. Discard any unused labels. **PULL AT LEAST SIX INCHES OF WIRE OUT OF THE WALL WHEN YOU DISCONNECT IT - DO NOT ALLOW THE WIRES TO FALL BACK INTO THE WALL.**

ATTACH SUBBASE TO WALL

1. Remove the packing material from the thermostat. Place the fingers of one hand on the center top and bottom portion of the thermostat. Grasp the subbase in the other hand on the top and bottom center, and gently pull straight out (see Fig. 2). The thermostat has pin and socket connectors. Forcing or prying on the thermostat will cause damage to the unit.
2. Pull wires through opening in the center of the subbase. **DO NOT LET WIRES FALL BACK INTO WALL.**
3. Connect wires beneath terminal screws on subbase using appropriate wiring schematic (see Figs. 3 through 11).
4. Place subbase over hole in wall and mark mounting hole locations on wall using subbase as a template.

(Installation instructions continue on page 5.)

TABLE 1. OLD THERMOSTAT IDENTIFICATION

OLD THERMOSTAT TYPE	OLD THERMOSTAT TERMINAL IDENTIFICATION				
	4	W	RC	Y	G
Type 1	4	W	RC	Y	G
Type 2	RH	W	RC	Y	G
Type 3	M	H	V	C	F
Type 4	R5	4		Y6	G
Type 5	R	W		Y	G

TABLE 2. WIRE IDENTIFICATION LABELS

Type	New	Old	New	Old	New	Old	New	Old	New	Old
Type 1	RH	4	W	W	RC	RC	Y	Y	G	G
Type 2	RH	RH	W	W	RC	RC	Y	Y	G	G
Type 3	RH	M	W	H	RC	V	Y	C	G	F
Type 4	RH	R5	W	4			Y	Y6	G	G
Type 5	RH	R	W	W			Y	Y	G	G

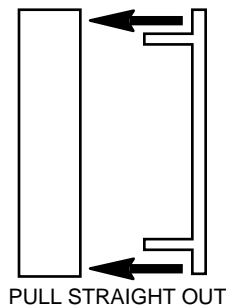


Figure 2. Removing thermostat from subbase

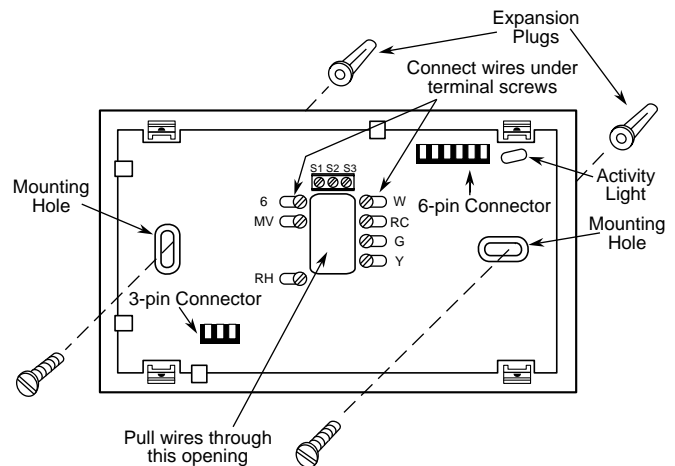


Figure 3. Subbase

NOTE

All wiring diagrams are for typical systems only. Refer to equipment manufacturers' instructions for specific system wiring information.

CAUTION

To prevent electrical shock and/or equipment damage, disconnect electrical power at the main fuse box or circuit breaker until installation is complete.

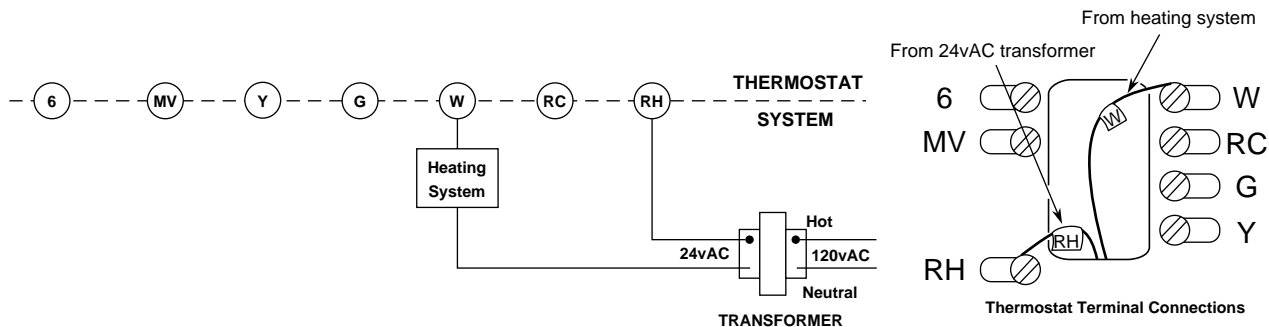


Figure 4. Typical Wiring Diagram for Heating Only, 2-Wire, Single Transformer Systems

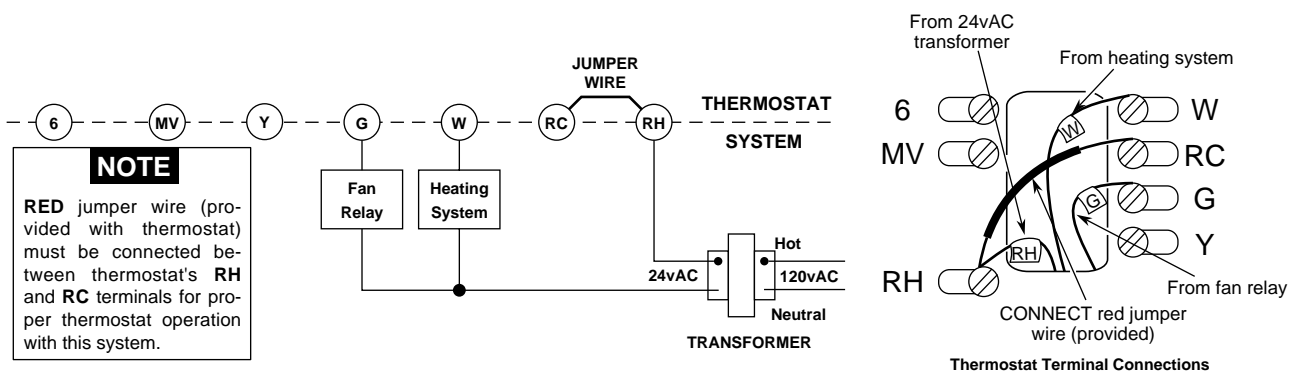


Figure 5. Typical Wiring Diagram for Heat Only, 3-Wire, Single Transformer Systems

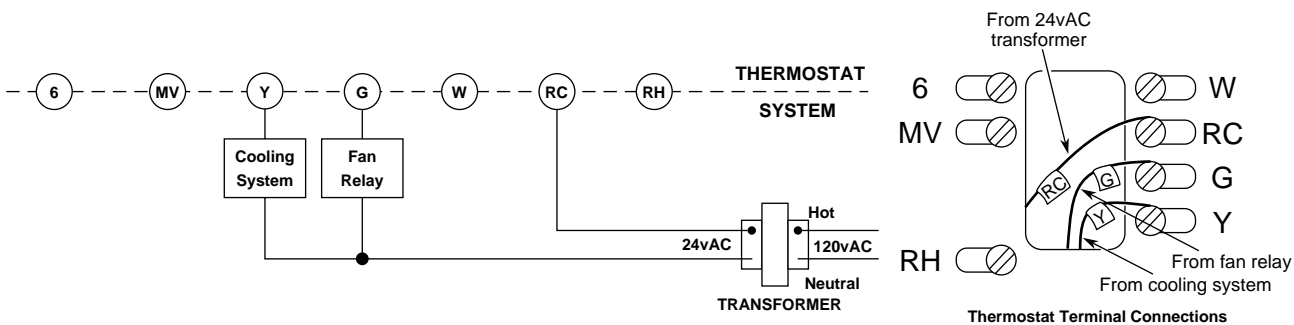


Figure 6. Typical Wiring Diagram for Cool Only, 3-Wire, Single Transformer Systems

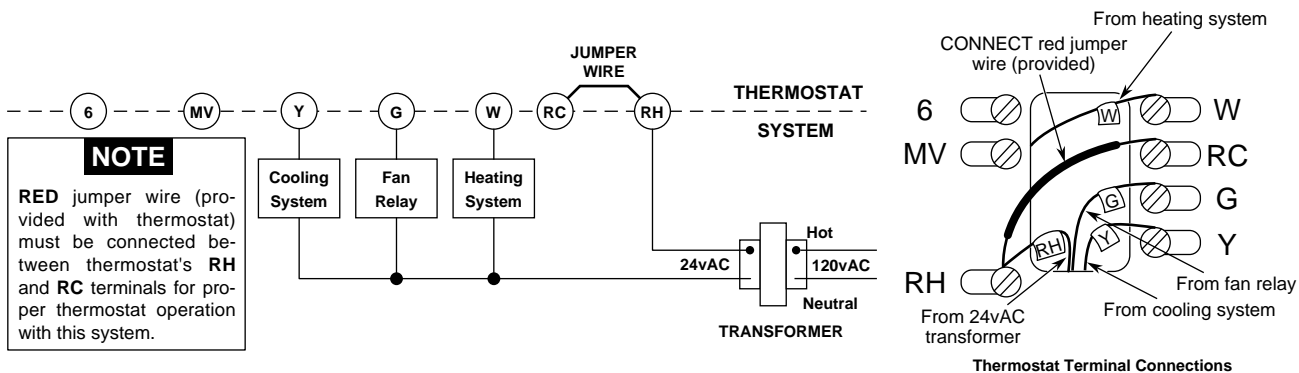


Figure 7. Typical Wiring Diagram for Heat/Cool, 4-Wire, Single Transformer Systems

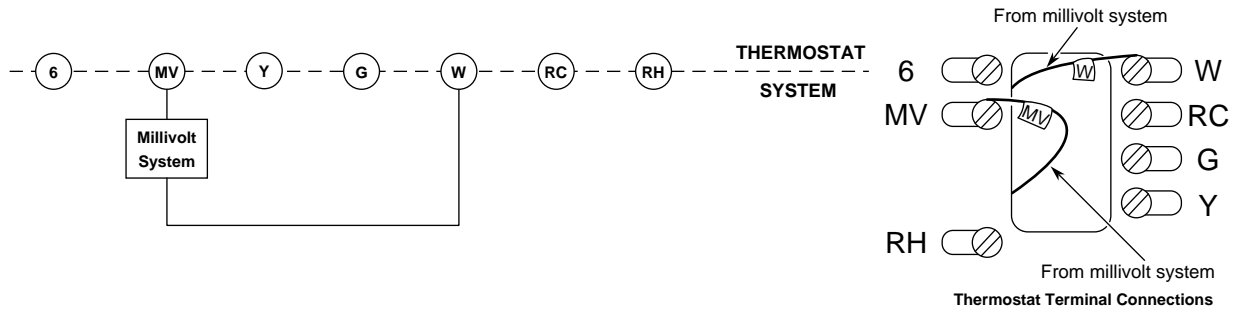


Figure 8. Typical Wiring Diagram for Millivolt Systems

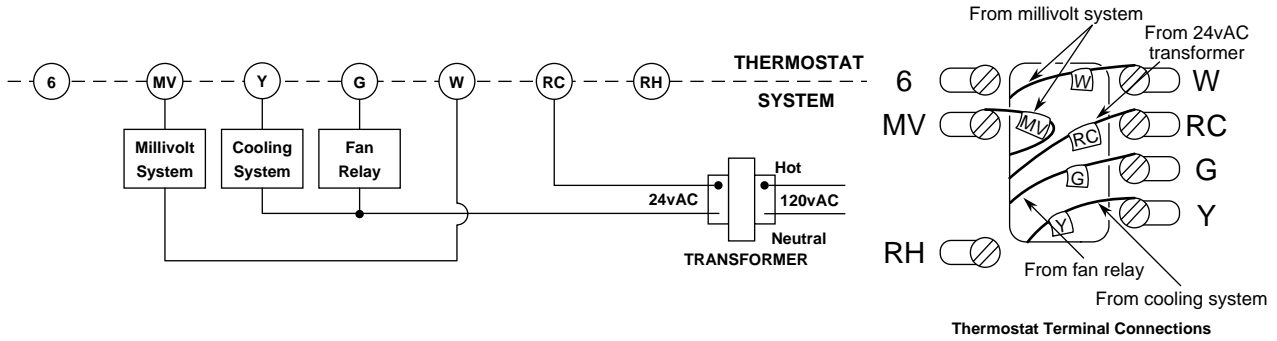


Figure 9. Typical Wiring Diagram for Millivolt Systems + Cool Only, 3-Wire Systems

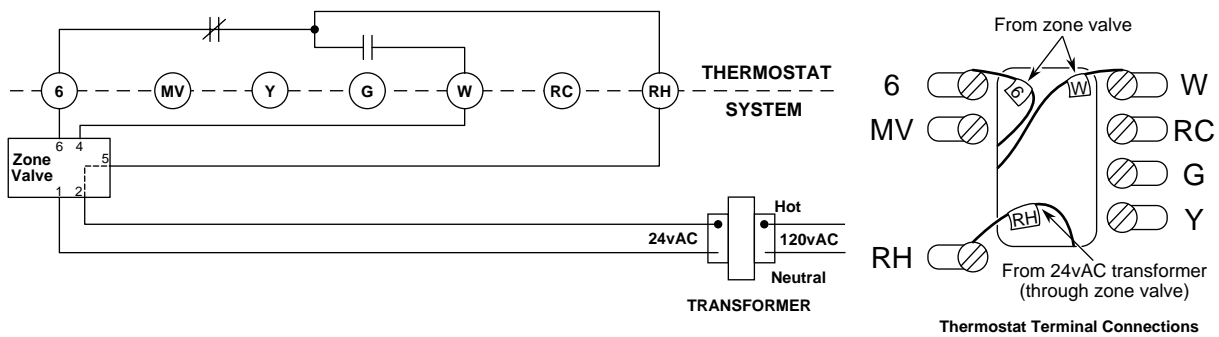


Figure 10. Typical Wiring Diagram for Heat Only, 3-Wire, Zone Valve Systems

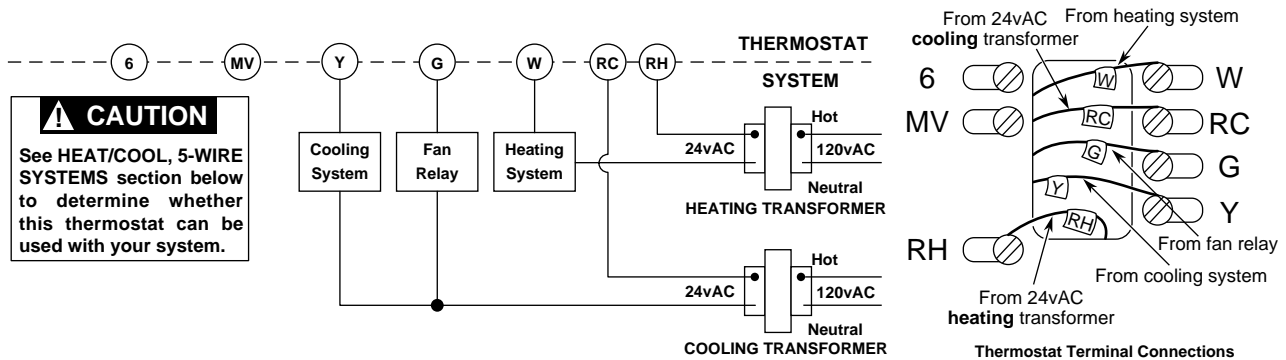


Figure 11. Typical Wiring Diagram for Heat/Cool, 5-Wire, Two-Transformer System

5. Move subbase out of the way. Drill mounting holes.
6. Fasten subbase loosely to wall, as shown in Fig. 3, using two mounting screws. Place a level against bottom of subbase, adjust until level, and then tighten screws. (Leveling is for appearance only and will not affect thermostat operation.) If you are using existing mounting holes, or if holes drilled are too large and do not allow you to tighten subbase snugly, use plastic expansion plugs to secure subbase.
7. Push excess wire into wall and plug hole with a fire-resistant material (such as fiberglass insulation) to prevent drafts from affecting thermostat operation.

ATTACH THERMOSTAT TO SUBBASE

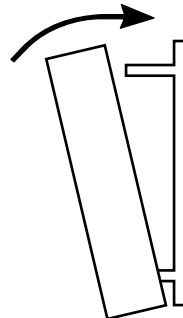
IT IS RECOMMENDED THAT YOU SET OPTION SWITCHES TO DESIRED POSITION BEFORE ATTACHING ON SUBBASE (see OPERATION). IT IS ALSO RECOMMENDED THAT YOU PROGRAM THE THERMOSTAT WITH BATTERIES INSTALLED BEFORE ATTACHING ON SUBBASE (see OPERATION GUIDE for programming instructions).

CAUTION

POWER TO THERMOSTAT MUST BE OFF BEFORE ATTACHING THERMOSTAT TO WALL. FAILURE TO TURN OFF POWER BEFORE ATTACHING THERMOSTAT MAY CAUSE EQUIPMENT DAMAGE DUE TO RAPID COMPRESSOR CYCLING.

To attach thermostat to subbase, line up the plastic snap guides at the bottom of the thermostat and the three connector pins on the thermostat with the connectors near the bottom left section of the subbase (when viewed from the front). Gently pivot the thermostat up until the six

pin connectors and the plastic snaps lock into place (see Fig. 12). **Be gentle when attaching thermostat.** If the thermostat does not seem to be attaching to the subbase easily, make sure that the connector pins and plastic snaps are properly aligned, and that excess wire is pushed into the wall. **Damage to the thermostat may occur if force is used.**



ENGAGE TWO LOWER GUIDES;
PIVOT UP

Figure 13. Attaching thermostat to subbase

OPERATION

SYSTEM CONFIGURATION

A. SET GROUP A OPTION SWITCHES

NOTE

ANY TIME GROUP B OPTION SWITCHES ARE CHANGED, THE "AA" BATTERIES MUST BE REMOVED FOR A MINIMUM OF 2 MINUTES. DO NOT REMOVE THE BATTERIES WHEN CHANGING GROUP A OPTION SWITCHES.

1. Total Keypad Activity



Switch #1 OFF
Switch #2 OFF

2. Total Keypad Lockout — All thermostat buttons are disabled.



Switch #1 ON
Switch #2 OFF

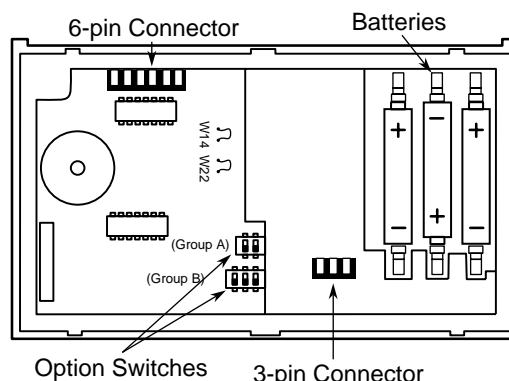


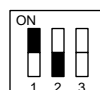
Figure 13. Back of Thermostat

B. SET GROUP B OPTION SWITCHES

NOTE

ANY TIME GROUP B OPTION SWITCHES ARE CHANGED, THE "AA" BATTERIES MUST BE REMOVED FOR A MINIMUM OF 2 MINUTES. DO NOT REMOVE THE BATTERIES WHEN CHANGING GROUP A OPTION SWITCHES.

1. Automatic Changeover (Heating/Cooling Systems Only) — enables thermostat to automatically switch between heating and cooling programs to maintain desired room temperature.



Switch #1 ON
Switch #2 OFF
Switch #3 (see step B5)

2. Manual Changeover (Heating/Cooling Systems Only)



Switch #1 **OFF**
Switch #2 **OFF**
Switch #3 (see step B5)

3. Heat Only Systems



Switch #1 **OFF**
Switch #2 **ON**
Switch #3 (see step B5)

4. Cool Only Systems



Switch #1 **ON**
Switch #2 **ON**
Switch #3 (see step B5)

5. Computed Energy Management Recovery (EMR)

— With EMR enabled, system will be energized **before** the next program period begins, to achieve programmed temperature by the beginning of the next program period.



Switch #1 (see steps B1–B4)
Switch #2 (see steps B1–B4)
Switch #3 **OFF**

C. ELECTRIC HEAT SYSTEMS



For central electric heat systems where the blower is energized by a **separate circuit** through the fan relay (meaning that the fan turns on immediately on call for heat), clip wire **W14** on the back of the thermostat (see fig. 13). If the thermostat is energizing electric heat sequencers, **DO NOT** clip wire **W14**.

CHECK THERMOSTAT OPERATION



NOTE

When checking thermostat, Group B option switches #1 and #2 for automatic changeover must be in the **OFF** position. This will allow temporary setting of heat setpoints above cool setpoints. After system checkout, reset Group B option switch #1 to **ON** position if automatic changeover is desired (see **SET GROUP B OPTION SWITCHES**).

FAN OPERATION

1. Turn on power to the system. If the heat source has a standing pilot, be sure to light it.
2. Press  until **FAN ON** is displayed. The blower should begin to operate (this will work only on systems with a **G** terminal).
3. Press  until **FAN AUTO** is displayed. The blower should stop operating within approximately one minute.



HEATING SYSTEM

1. Press  until **HEAT** is displayed (it may already be displayed).
2. Press  to adjust thermostat above room temperature to call for heat. The heating system should begin to operate.

COOLING SYSTEM

CAUTION

To prevent compressor and/or property damage, if power to the compressor has been off or interrupted for more than 1 hour and the outdoor temperature is below 50°F, **DO NOT** operate the system for at least the amount of time the compressor was off! This will allow the compressor heaters to warm the compressor oils to avoid damage due to slugging.


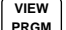
1. Press  until **COOL** is displayed.
2. Press  to adjust thermostat below room temperature to call for cool. The blower should come on immediately, followed by cold air circulation. However, if the red LED on the thermostat front is flashing, the compressor lockout feature is operating (see **Lockout Bypass Option** to temporarily override the compressor lockout feature during testing).

After the system has been checked and is running properly, determine if automatic changeover is desired (see **SYSTEM CONFIGURATION**).

LOCKOUT BYPASS OPTION

FOR QUALIFIED SERVICE TECHNICIANS' USE ONLY. OPERATORS SHOULD NOT USE THIS FEATURE DUE TO POSSIBILITY OF EQUIPMENT OR PROPERTY DAMAGE, OR PERSONAL INJURY.

COMPRESSOR SHORT TERM CYCLE PROTECTION

This thermostat has a built-in short term (5-minute) time delay. During this 5-minute period, the thermostat will lock out the compressor to allow head pressure to stabilize. If you want to override this feature while testing thermostat operation, simply press  and  buttons at the same time at initial startup.

DO NOT USE THE LOCKOUT BYPASS OPTION UNLESS THE COMPRESSOR OIL HEATERS HAVE BEEN OPERATIONAL FOR 6 HOURS AND THE SYSTEM HAS NOT BEEN OPERATIONAL FOR AT LEAST 5 MINUTES.

Refer to the **OPERATION GUIDE** if you need additional information on thermostat operation.

TROUBLESHOOTING

Refer to the **Question & Answer** section of the **OPERATION GUIDE** for information on troubleshooting the thermostat.

If you need further information about this product, please write to:

WHITE-RODGERS
Division of Emerson Electric Co.
9797 Reavis Road
St. Louis, MO 63123
ATTN: Technical Service Department

WARRANTY INFORMATION

THIS WARRANTY STATEMENT SUPERSEDES ALL WARRANTY STATEMENTS DATED PRIOR TO MARCH 1, 1988.

White-Rodgers Division of Emerson Electric Co. ("Seller") warrants that its products purchased for resale (the "Products") will be free from defects in material and workmanship under normal use and service for a period of twelve (12) months from date of installation. Seller's obligation under this warranty, and Purchaser's exclusive remedy for the breach thereof, shall be limited to, at Seller's option, Seller's replacement of any defective Product F.O.B. Seller's factory, or Seller's issuance of a credit in the amount of the purchase price of such Product for resale as described below. Seller shall have the option of requiring the return of any defective Product, transportation charges prepaid, before recognizing any claim. This warranty shall not apply to any Product (1) which has been repaired or altered outside Seller's factory or by other than Seller in any manner so as, in Seller's judgement, to affect its serviceability or proper operation; (2) which has been subjected by persons other than Seller to improper handling, operation, maintenance, repair or alteration; or (3) which has been subjected to misuse, negligence, or accident.

This warranty extends only to persons or organizations who purchase the Products for resale. THE FOREGOING CONSTITUTES SELLER'S SOLE RESPONSIBILITY UNDER THIS WARRANTY, AND PURCHASER'S EXCLUSIVE REMEDY FOR BREACH THEREOF. EXCEPT AS OTHERWISE EXPRESSLY SET FORTH IN THIS AGREEMENT, THERE ARE NO OTHER WARRANTIES, EXPRESS OR IMPLIED, WHETHER OF MERCHANTABILITY, FITNESS FOR A PARTICULAR PURPOSE, OR OTHERWISE. SELLER SHALL NOT BE LIABLE FOR ANY SPECIAL, INDIRECT, INCIDENTAL OR CONSEQUENTIAL DAMAGES IN CONNECTION WITH THE SALE, RESALE OR USE OF THE PRODUCTS.

Complete warranty information and instructions for replacing/returning warranty products can be found in the White-Rodgers Product Catalog, or by telephoning or writing to:

White-Rodgers Division
Emerson Electric Co.
9797 Reavis Road
St. Louis, Missouri 63123-5329
(314) 577-1300

WARRANTY INFORMATION FOR CONSUMERS

When you purchase a White-Rodgers Division product, it is typically for replacement of a device which has failed on existing residential or commercial equipment, or a component of new equipment purchased for modernization.

While our warranty does not extend to you, your contractor or dealer is protected by a one-year product warranty from White-Rodgers. Your supplier can rely on a nearby White-Rodgers wholesaler for prompt credit or replacement.

Free Manuals Download Website

<http://myh66.com>

<http://usermanuals.us>

<http://www.somanuals.com>

<http://www.4manuals.cc>

<http://www.manual-lib.com>

<http://www.404manual.com>

<http://www.luxmanual.com>

<http://aubethermostatmanual.com>

Golf course search by state

<http://golfingnear.com>

Email search by domain

<http://emailbydomain.com>

Auto manuals search

<http://auto.somanuals.com>

TV manuals search

<http://tv.somanuals.com>