

PYROMASTER®

INSTALLER/CONSUMER SAFETY INFORMATION

PLEASE READ THIS MANUAL
BEFORE INSTALLING AND
USING APPLIANCE

WARNING!
IF THE INFORMATION IN THIS
MANUAL IS NOT FOLLOWED
EXACTLY, A FIRE OR EXPLO-
SION MAY RESULT CAUSING
PROPERTY DAMAGE, PER-
SONAL INJURY OR LOSS OF
LIFE.

FOR YOUR SAFETY
Installation and service must
be performed by a qualified
installer, service agency or the
gas supplier.

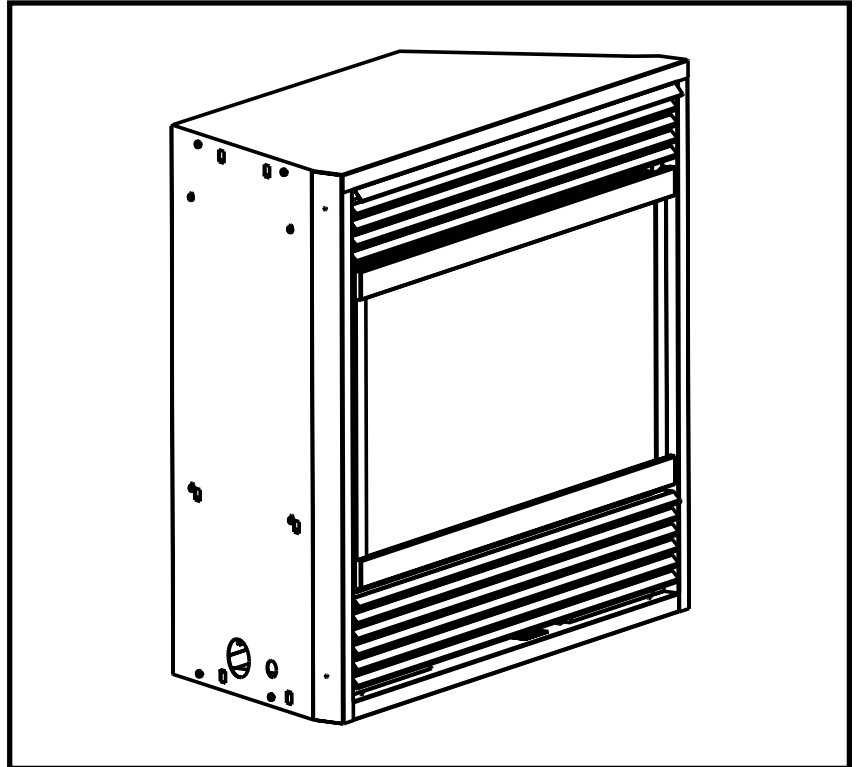
WHAT TO DO IF YOU SMELL GAS:

- Do not try to light any appliance.
- Do not touch any electric switch;
do not use any phone in your
building.
- Extinguish all flames.
- Immediately call your gas
supplier from your neighbor's
phone. Follow the gas suppliers
instructions.
- If you cannot reach your gas
supplier call the fire department.
- Open windows/extinguish all
flames.

**DO NOT STORE
OR USE GASOLINE OR
OTHER FLAMMABLE
VAPORS AND LIQUIDS IN
THE VICINITY OF THIS OR
ANY OTHER APPLIANCE.**

Builder Rear Vent Direct Vent

Model: H33BDVRRN/P



Homeowner's Installation and Operating Manual



CFM Harris Systems

3501 West Howard • Skokie, IL 60076 • 847-676-3556
www.cfmharris.com



INSTALLER: DO NOT DISCARD THIS MANUAL - LEAVE FOR HOMEOWNER

10004798 11/02 Rev. 0

Table of Contents

Please read the installation & operating instructions before using appliance

Thank you and congratulations on your purchase of a CFM Harris Systems fireplace.

IMPORTANT: Read all instructions and warnings carefully before starting installation.

Failure to follow these instructions fully may result in a possible fire hazard and will void the warranty.

Installation & Operating Instructions	3
Locating Your Fireplace	3
Fireplace Dimensions	4
Clearance to Combustibles	5
Mantels	5
Hearth	5
Framing & Finishing	6
Final Finishing	6
Gas Specifications	6
Gas Inlet and Manifold Pressures.....	6
High Elevations	6
Gas Line Installation	6
Remote ON/OFF Switch	7
Alternate Switch Location	7
Venting Installation Instructions	
General Venting Information-Termination Location	7
General Information on Assembling DV Components	9
Crimped End Pipes	9
Twist Lock Pipes	10
How to Use the Vent Graph.....	10
Rear Wall Vent Applications & Installation	10
Vertical Sidewall Applications & Installation	12
Below Grade Installations.. ..	15
Vertical Through-the-Roof Applications & Installation	16
Twist Lock Venting Components.....	18
Crimped End Venting Components	19
Operating Instructions	
Glass Information	20
Louvre Removal	20
Window Frame Assembly Removal	20
Glass Cleaning	20
Installation of Logs, Lava Rock & Ember Material	20
Flame & Temperature Adjustment	21
Flame Characteristics	21
Lighting Instructions	22
Trouble Shooting	24
Fuel Conversion Instructions	25
Maintenance	25
Replacement Parts	26
Optional Accessories	
Fan Kits	28
Wiring Instructions	29
EB-1 Electrical Box	29
Ceramic Refractory Kits	29
Decorative Bay Windows	30
Bay Window Screen	31
Remote Controls	31
Trim Kit	31

Installation & Operating Instructions

This gas appliance should be installed by a qualified installer in accordance with local building codes and with current **CSA-B149.1** Installation codes for Gas Burning Appliances and Equipment. For USA Installations follow local codes and/or the current **National Fuel Gas Code, ANSI Z223.1**.

FOR SAFE INSTALLATION AND OPERATION PLEASE NOTE THE FOLLOWING:

1. This fireplace gives off high temperatures and should be located out of high traffic areas and away from furniture and draperies.
2. Children and adults should be alerted to the hazards of high surface temperatures of this fireplace and should stay away to avoid burns or ignition of clothing.
3. **CAUTION:** Due to high glass surface temperature children should be carefully supervised when in the same room as fireplace.
4. Under no circumstances should this fireplace be modified. Parts removed for servicing should be replaced prior to operating this fireplace again.
5. Installation and any repairs to this fireplace must be performed by a qualified installer, service agency or gas supplier. A professional service person should be contacted to inspect this fireplace annually. Make it a practice to have all of your gas fireplaces checked annually. More frequent cleaning may be required due to excess lint and dust from carpeting, bedding material, etc.
6. Control compartments, burners and air passages in this fireplace should be kept clean and free of dust and lint. Make sure the gas valve and pilot light are turned off before you attempt to clean this fireplace.
7. The venting system (chimney) of this fireplace should be checked at least once a year and if needed your venting system should be cleaned.
8. Keep the area around your fireplace clear of combustible materials, gasoline and other flammable vapor and liquids. This fireplace should not be used as a drying rack for clothing, nor should Christmas stockings or decorations be hung on or around the fireplace.
9. Under no circumstances should any solid fuels (wood, coal, paper or cardboard etc.) be used in this fireplace.
10. The flow of combustion and ventilation air must not be obstructed in any way.
11. When fireplace is installed directly on carpeting, vinyl tile or any combustible material other than wood, the fireplace must be installed on a metal or wood panel extending the full width and depth of the fireplace.
12. This fireplace requires adequate ventilation and combustion air to operate properly.
13. This fireplace must not be connected to a chimney flue serving a separate solid fuel burning fireplace.
14. When the fireplace is not in use it is recommended that the gas valve be left in the OFF position.

Proposition 65 Warning: Fuels used in gas, woodburning or oil fired appliances, and the products of combustion of such fuels, contain chemicals known to the State of California to cause cancer, birth defects and other reproductive harm.
California Health & Safety Code Sec. 25249.6

This appliance has been approved for after-market mobile home installations

IMPORTANT:

PLEASE REVIEW THE FOLLOWING CAREFULLY

Remove any plastic from trim parts before turning the fireplace ON.

It is normal for fireplaces fabricated of steel to give off some expansion and/or contraction noises during the start up or cool down cycle. Similar noises are found with your furnace heat exchanger or car engine.

It is not unusual for your CFM Harris Systems gas fireplace to give off some odor the first time it is burned. This is due to the curing of the paint and any undetected oil from the manufacturing process.

Please ensure that your room is well ventilated open all windows.

It is recommended that you burn your fireplace for at least ten (10) hours the first time you use it. If the optional fan kit has been installed, place the fan switch in the "OFF" position during this time.

Locating Your Fireplace

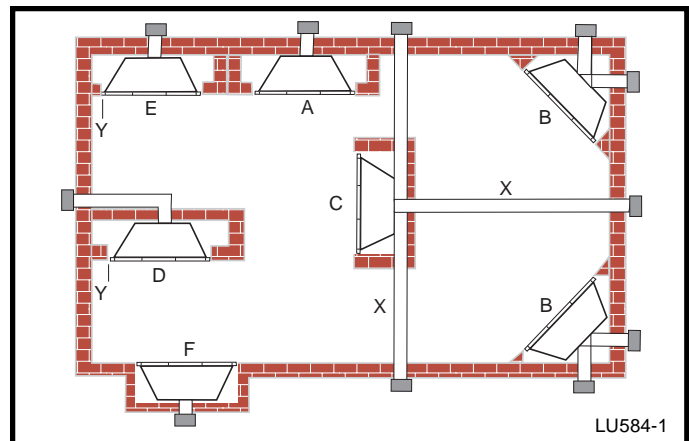


Fig. 1 Locating Gas Fireplace.

A) Flat on wall B) Cross corner C) **Island
D) *Room divider E) *Flat on wall corner F) Chase installation
Y) 6" minimum

Note (Fig. 1):

** Island (C) and Room Divider (D) installation is possible as long as the horizontal portion of the vent system (X) does not exceed 20 feet (610cm). See details in Venting Section.

* When you install your Vermont Castings, Majestic Products fireplace in (D) Room divider or (E) Flat on wall corner positions (Y), a minimum of 6 inches (153mm) clearance must be maintained from the perpendicular wall and the front of the fireplace. See (Y) in Fig. 1.

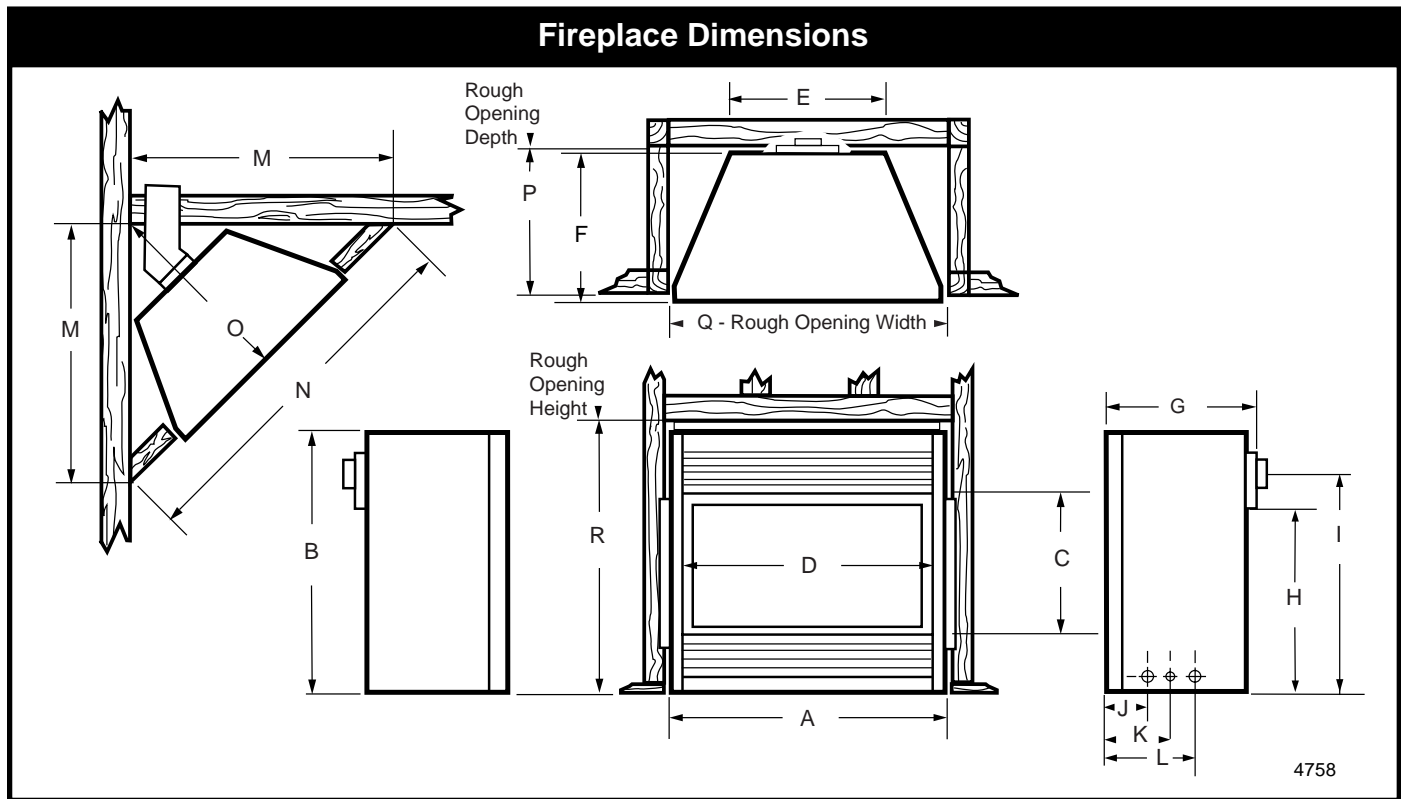


Fig. 2 Fireplace specifications and framing dimensions.

Ref.	H33BDVRRN/P
A	33" (838mm)
B	28 ⁷ / ₈ " (733mm)
C	16 ³ / ₈ " (416mm)
D	31" (787mm)
E	22" (559mm)
F	11 ¹ / ₂ " (292mm)
G	14" (355mm)
H	20 ¹ / ₄ " (515mm)
I	24 ¹ / ₂ " (622mm)
J	5" (127mm)
K	7 ¹ / ₂ " (297mm)
L	8 ¹ / ₂ " (216mm)
Framing Dimensions	
M	36" (914mm)
N	51" (1294mm)
O	25 ¹ / ₂ " (648mm)
P	12" (305mm)
Q	33 ¹ / ₂ " (851mm)
R	29" (737mm)

Clearance to Combustibles

Appliance

Top.....	0" (0 mm)
Bottom.....	0" (0 mm)
Side.....	0" (0 mm)
Back.....	0" (0 mm)

Venting

Concentric sections of DV Vent

Top, bottom & sides.....	1" (25 mm)
--------------------------	------------

Rear Vent Applications:

Top.....	2"
Sides.....	1"
Bottom.....	1"

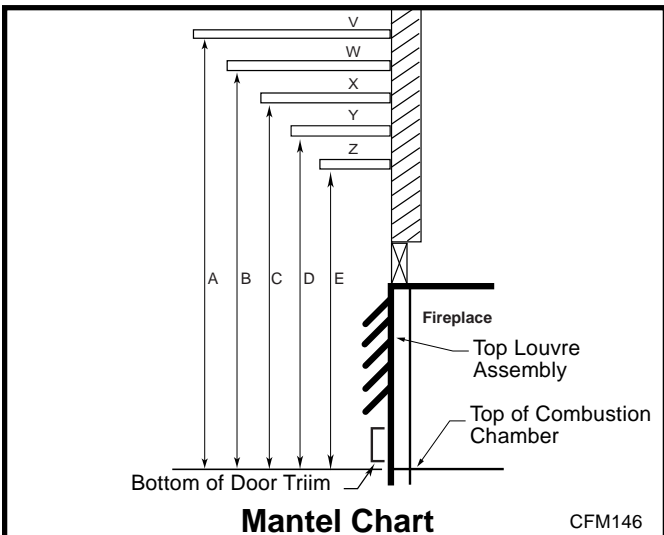
Mantels

The height that a combustible mantel is fitted above the fireplace is dependent on the depth of the mantel. This also applies to the distance between the mantel leg (if fitted) and the fireplace.

For the correct mounting height and widths refer to Figures 3a and 3b, and the following Mantel Charts.

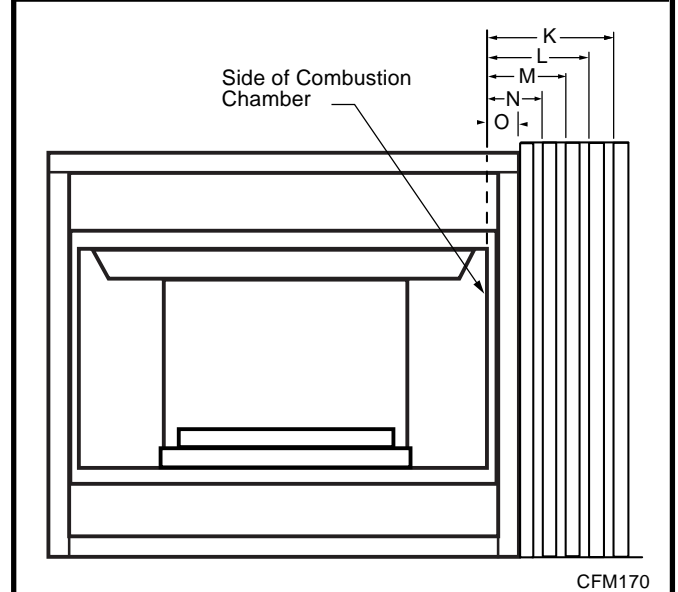
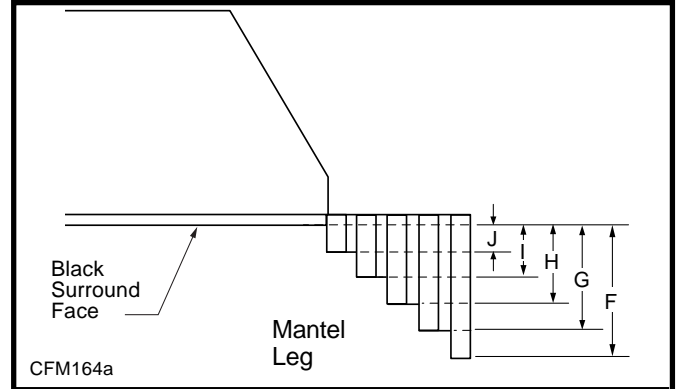
The fitting of a bay window trim kit does not effect the distances and reference points referred to in the diagram and chart.

Noncombustible mantels and legs may be installed at any height and width around the appliance. When using paint or lacquer to finish the mantel, such paint or lacquer must be heat resistant to prevent discoloration.



Ref.	Mantel Shelf or Breast Plate Depth	Ref.	Mantel from Top of Comb. Chamber
V	10" (254mm)	A	17" (432mm)
W	8" (203mm)	B	15" (381mm)
X	6" (152mm)	C	13" (330mm)
Y	4" (101mm)	D	11" (279mm)
Z	2" (50mm)	E	9" (229mm)

Fig. 3a Combustible mantel minimum installation.



Ref.	Mantel Leg Depth	Ref.	Mantel Leg from Side of Comb. Opening
F	10" (254mm)	K	11½" (292mm)
G	8" (203mm)	L	9½" (241mm)
H	6" (152mm)	M	7½" (191mm)
I	4" (101mm)	N	5½" (140mm)
J	2" (50mm)	O	3½" (89mm)

Fig. 3b Combustible mantel leg minimum installation.

Hearth

A hearth is not mandatory but is recommended for aesthetic purposes. We recommend a noncombustible hearth which projects out 12" (305mm) or more from the front of the fireplace.

Cold climate installation recommendation:



When installing this unit against a noncombustible exterior wall or chase, it is mandatory that the outer walls be insulated to conform to applicable insulation codes.

Framing and Finishing

1. Choose the unit location.
2. Place the unit into position and secure it to the floor with 1/2" (38mm) screws, or nails. The holes to secure the unit to the floor are located just behind the access door grille on the left and right side of the unit.
3. Frame in the fireplace with a header across the top. It is important to allow for the finished wall face when setting the depth of the frame.
4. Attach the fireplace to the frame using the adjustable frame drywall strips (located behind the access door for shipping). Preset the depth to suit the facing material of the wall. The strips are adjustable to 1/2" (13mm), 5/8" (16mm), or 3/4" (19mm). (Figs. 3 & 4)
5. Screw through the slotted holes in the drywall strip and into the pre-drilled holes in the fireplace side. Measure from the face of the fireplace to the face of the drywall strip to confirm the final depth.

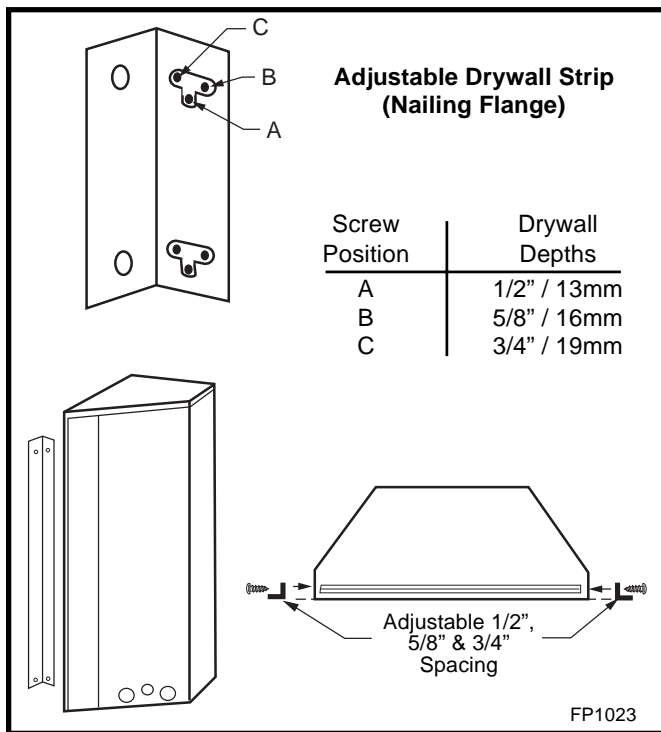


Fig. 4 Adjustable drywall strip (nailing flange).

Final Finishing

Noncombustible materials such as brick or tile may be extended over the edges of the face of the fireplace. DO NOT cover any vent or grille panels.

If a Trim Kit is going to be installed on the fireplace, the brick or tile will have to be installed flush with the edges of the fireplace.

Gas Specifications

Model	Fuel	Gas Control	Max. Input BTU/h	Min. Input BTU/h
H33BDVRRN	Nat	Millivolt	15,000	10,500
H33BDVRRP	Prop	Millivolt	15,000	11,250

Gas Inlet and Manifold Pressures

	Natural	LP (Propane)
Minimum Inlet Pressure	5.5" wc	11" wc
Maximum Inlet Pressure	14" wc	14" wc
Manifold Pressure	3.5" wc	10" wc

H33BDVRRN/P Certified To

ANSI Z21.88b-1999 / CSA 2.33b-M99
Vented Gas Fireplace Heaters

High Elevations

Input ratings are shown in BTU per hour and are certified without deration for elevations up to 4,500 feet (1,370m) above sea level.

For elevations above 4,500 feet (1,370m) in USA, installations must be in accordance with the current ANSI Z223.1 and/or local codes having jurisdiction.

In Canada, please consult provincial and/or local authorities having jurisdiction for installations at elevations above 4,500 feet (1,370m).

Gas Line Installation



When purging gas lines, the front window frame assembly must be removed.

The gas pipeline can be brought in through the rear of the appliance as well as the bottom. Knockouts are provided on the bottom behind the valve to allow for the gas pipe installation and testing of any gas connection. It is most convenient to bring the gas line in from the rear right side of the valve as this allows fan installation or removal without disconnecting the gas line.

The gas line connection can be made with properly tinned 3/8" copper tubing, 3/8" rigid pipe or an approved flex connector. Since some municipalities have additional local codes, it is always best to consult your local authority and the **National Fuel Gas Code, ANSI Z223.1** in the USA or the **CSA-B149.1** installation code.

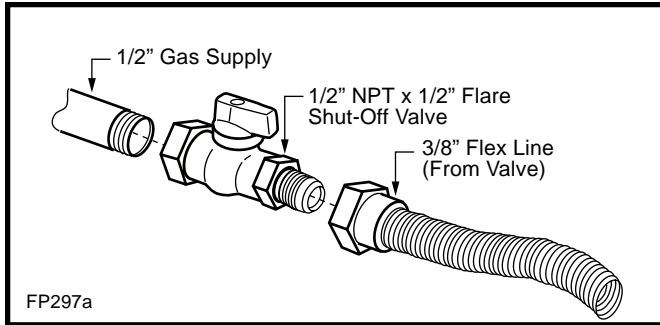


Fig. 5 Typical gas supply installation.



Always check for gas leaks with a mild soap and water solution. Do not use an open flame for leak testing.

The gas control is equipped with a captured screw type pressure test point, therefore it is not necessary to provide a 1/8" test point up stream of the control.

When using copper or flex connector use only approved fittings. Always provide a union when using black iron pipe so the gas line can be easily disconnected for burner or fan servicing. See gas specification for pressure details and ratings.

The fireplace valve must not be subjected to any test pressures exceeding 1/2 psi. Isolate or disconnect this and any other gas appliance control from the gas line when pressure testing.

Remote ON/OFF Switch

Installation

1. Thread the wiring through the holes on the end panels of the fireplace. Take care not to cut the wire or insulation on metal edges. Route the wire to a conveniently located receptacle box.
2. Attach the wire to the ON/OFF switch and install the switch into the receptacle box.
3. Connect the other ends of the wire to the gas control valve. (Fig. 6)

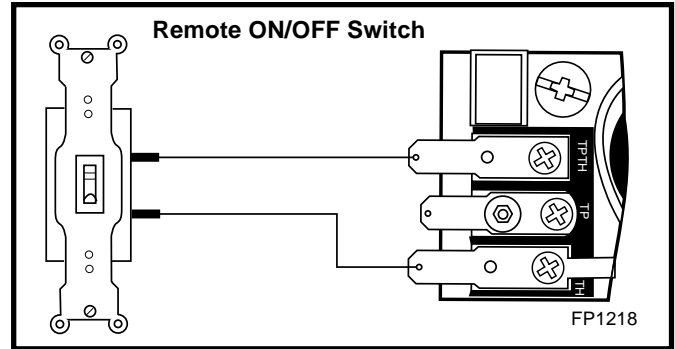


Fig. 6 Remote switch wiring diagram.

Alternate Switch Location

The remote switch can be installed on the front/side of the access door. Simply mount the switch to the bracket provided and screw the bracket to either side of the frame, lining up the screws with the pre-punched holes. (Fig. 7)

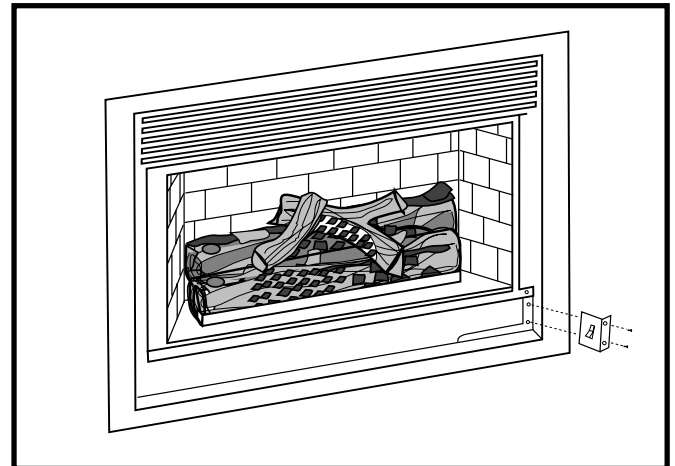


Fig. 7 Alternate switch location.



Do not wire the remote ON/OFF wall switch for the gas fireplace to the 120 volt power supply.

General Venting Information—Termination Location

Your fireplace is approved to be vented either through the side wall, or vertically through the roof.

- Only venting components specifically approved and labelled for this fireplace may be used.
- Vent terminations shall not be recessed into a wall or siding.
- Horizontal venting must be installed on a level plane without any incline or decline.

There must not be any obstruction such as bushes, garden sheds, fences, decks or utility buildings within 24" from the front of the termination hood.

Do not locate termination hood where excessive snow or ice build up may occur. Be sure to check vent

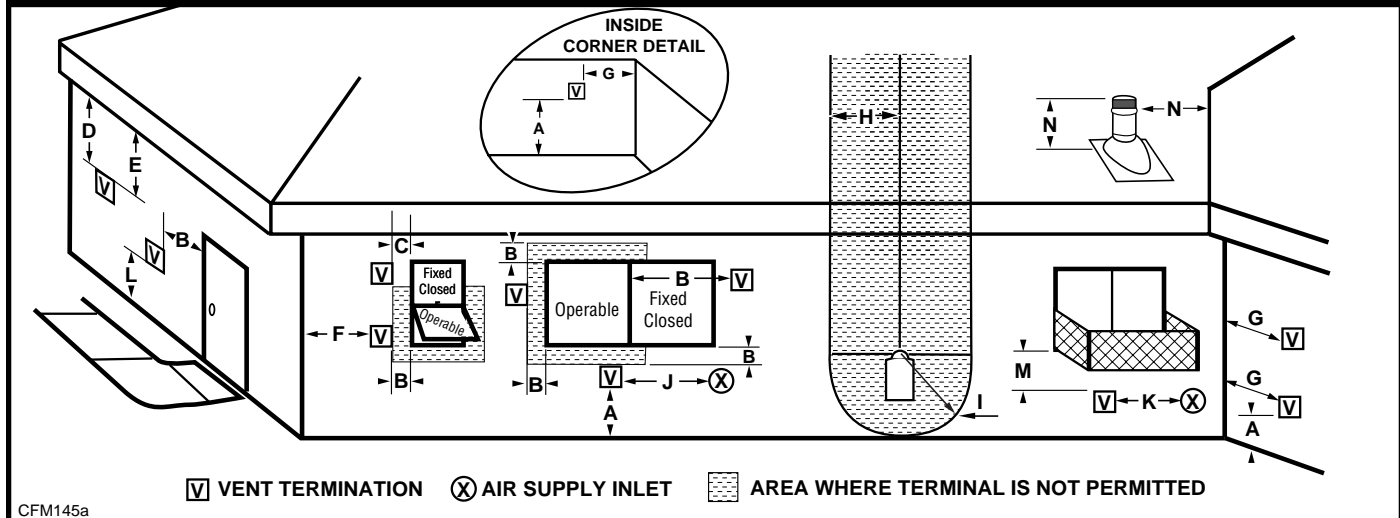
termination area after snow falls, and clear to prevent accidental blockage of venting system. When using snow blowers, make sure snow is not directed towards vent termination area.

Location of Vent Termination

It is imperative the vent termination be located observing the minimum clearances as shown on the next page.

*Check with local codes or in absence of same with CSA-B149.1 Installation Codes (1991) for Canada or follow the current National Fuel Gas Code, ANSI Z223.1 for installations in the USA.

General Venting Information - Termination Location



CFM145a

	Canadian Installations ¹	US Installations ²
A = Clearance above grade, veranda, porch, deck, or balcony	12 inches (30cm)	12 inches (30cm)
B = Clearance to window or door that may be opened	6 in (15cm) for appliances < 10,000Btuh (3kW), 12 in (30cm) for appliances > 10,000 Btuh (3kW) and < 100,000 Btuh (30kW), 36 inches (91cm) for appliances > 100,000 Btuh (30kW)	6 in (15cm) for appliances < 10,000 Btuh (3kW), 9 in (23cm) for appliances > 10,000 Btuh (3kW) and < 50,000 Btuh (15kW), 12 in (30cm) for appliances > 50,000 Btuh (15kW)
C = Clearance to permanently closed window	12" (305mm) recommended to prevent window condensation	12" (305mm) recommended to prevent window condensation
D = Vertical clearance to ventilated soffit located above the terminal within a horizontal distance of 2 feet (610mm) from the center line of the terminal	18" (458mm)	18" (458mm)
E = Clearance to unventilated soffit	12" (305mm)	12" (305mm)
F = Clearance to outside corner	see next page	see next page
G = Clearance to inside corner (see next page)	see next page	see next page
H = Clearance to each inside of center line extended above meter/regulator assembly	3 feet (91cm) within a height of 15 feet above the meter/regulator assembly	3 ft (91cm) within a height of 15ft above the meter/regulator assy
I = Clearance to service regulator vent outlet	3 feet (91cm)	3 feet (91cm)
J = Clearance to nonmechanical air supply inlet to building or the combustion air inlet to any other appliances	6 inches (15cm) for appliances < 10,000 Btuh (3kW), 12 inches (30cm) for appliances > 10,000 Btuh (3kW) and < 100,000 Btuh (30kW), 36 inches (91cm) for appliances > 100,000 Btuh (30kW)	6 inches (15cm) for appliances < 10,000 Btuh (3kW), 9 inches (23cm) for appliances > 10,000 Btuh (3kW) and < 50,000 Btuh (15kW), 12 inches (30cm) for appliances > 50,000 Btuh (15kW)
K = Clearance to a mechanical air supply inlet	6 feet (1.83m)	3 feet (91cm) above if within 10 feet (3m) horizontally
L = Clearance above paved sidewalk or paved driveway located on public property	7 feet (2.13m)†	7 feet (2.13m)†
M = Clearance under veranda, porch, deck or balcony	12 inches (30cm)c	12 inches (30cm)†
N = Clearance above a roof shall extend a minimum of 24" (610mm) above the highest point when it passes through the roof surface, and any other obstruction within a horizontal distance of 18" (450mm).		

1 In accordance with the current CSA-B149 Installation Codes
 2 In accordance with the current ANSI Z223.1/NFPA 54 National Fuel Gas Codes
 † A vent shall not terminate directly above a sidewalk or paved driveway which is located between two single family dwellings and serves both dwellings
 ‡ only permitted if veranda, porch, deck or balcony is fully open on a minimum 2 sides beneath the floor:
 NOTE: 1. Local codes or regulations may require different clearances.
 2. The special venting system used on CFM Harris Fireplaces are certified as part of the appliance, with clearances tested and approved by the listing agency.

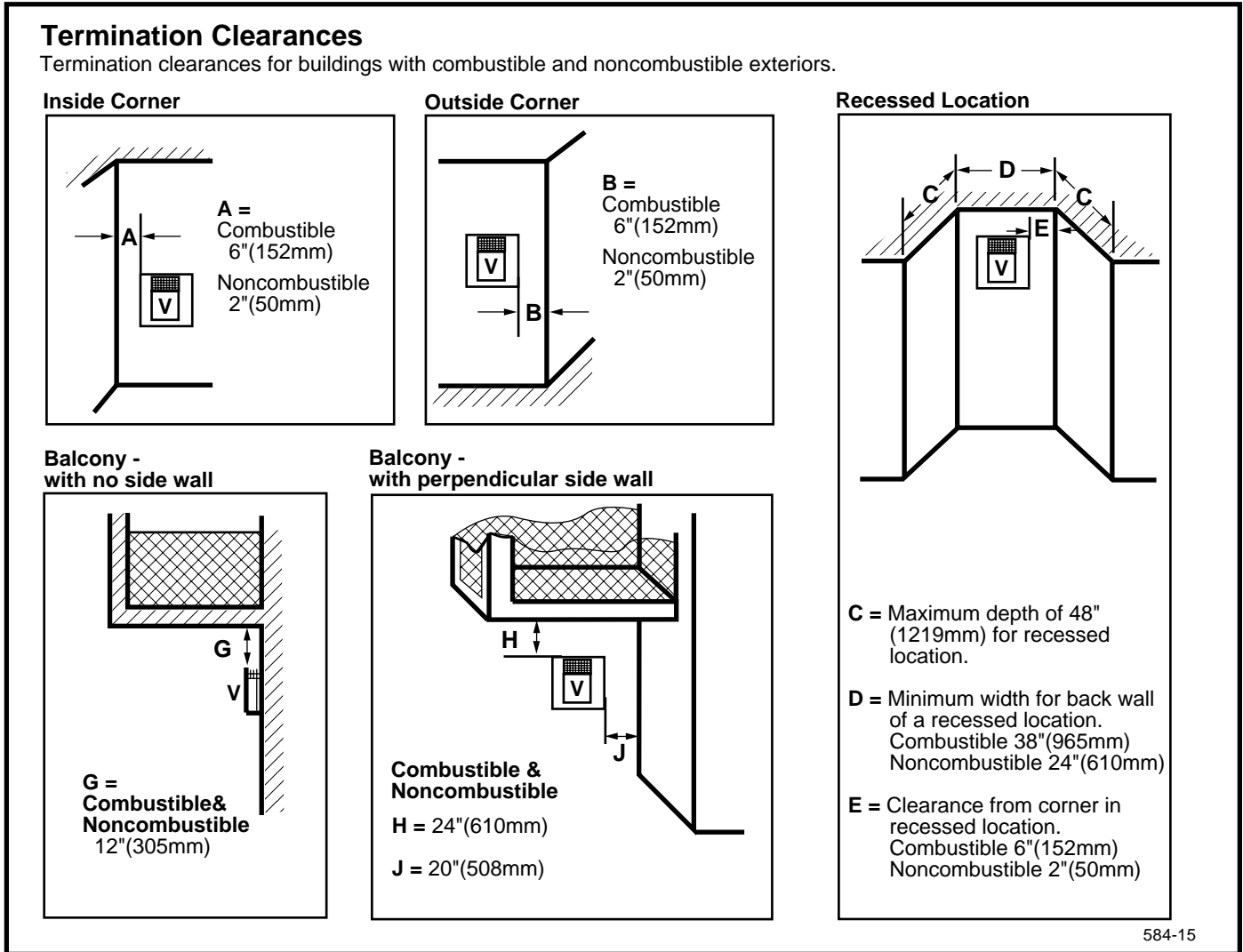


Fig. 8 Termination clearances.

General Information on Assembling DV Components

Crimped End Pipes

Before joining elbows and pipes apply a bead of high temperature sealant to the crimped end of the elbow or pipe. Join the pipes using a 2" (50mm) overlap and secure the joints with three sheet metal screws. (Fig. 9) Wipe off excess sealant.

Canadian Installations:

Venting system must be installed in accordance with the current CSA-B149.1 installation code.

USA Installations:

The venting system must conform with local codes and/or the current National Fuel Gas code ANSI Z223.1.

Only venting components manufactured by CFM Corporation can be used in Direct Vent systems.

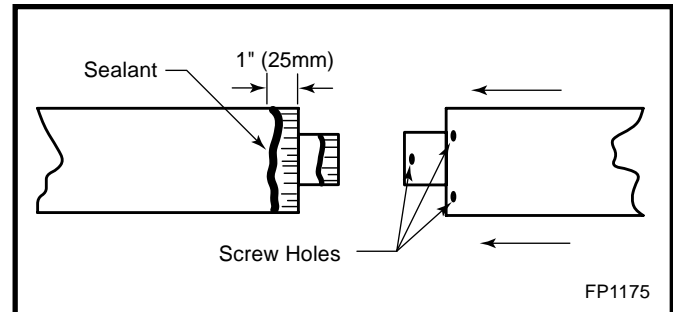


Fig. 9 Apply a bead of high temperature sealant.

It is possible to use CFM Corporation 4" & 7" direct vent crimped pipe and elbows with CFM Corporation 4" & 7" twist-lock pipe. **NOTE: The crimped pipe must be used first.**

Twist Lock Pipes

When using CFM Corporation twist-lock pipe it is not necessary to use sealant on the joints. The only areas of the venting system that need to be sealed with high temperature silicone sealant are the collars on the fireplace and termination, and the sliding joint of any telescopic vent section used in the system.

To join the twist lock pipes together, simply align the beads of the male end with the grooves of the female end, then while bringing the pipe together, twist the pipe until the flange on the female end contacts the external flange on the male end. It is recommended that you secure the joints with three (3) sheet metal screws, however this is not mandatory with twist lock pipe.

To make it easier to assemble the joints we suggest putting a lubricant (Vaseline or similar) on the male end of the twist lock pipe prior to assembly.

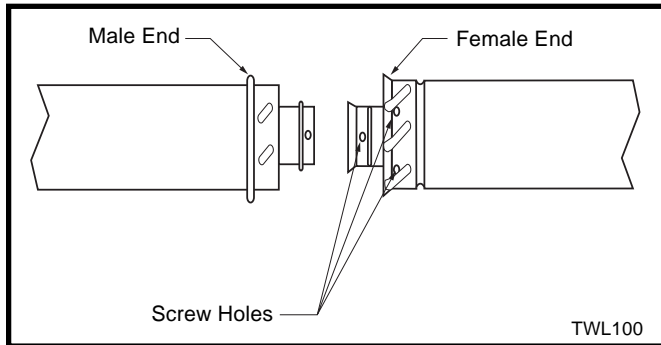


Fig. 10 Twist-lock pipe joints.

How to Use the Vent Graph

The vent chart should be read in conjunction with the following vent installation instructions to determine the relationship of the vertical and horizontal dimensions of the vent system.

1. Determine the height of the center of the horizontal vent pipe exiting through the outer wall. Using this dimension on the Sidewall Vent Graph. (Fig. 11) locate the point intersecting with slanted graph line.
2. From the point of this intersection, draw a vertical line to the bottom of the graph.
3. Select the indicated dimension, and position the fireplace in accordance with same.

Example A:

If the vertical dimension from the floor of the fireplace is 11' (3.4m) the horizontal run to the face of the outer wall must not exceed 14' (4.3m).

Example B:

If the vertical dimension from the floor of the unit is 7' (2.14m), the horizontal run to the face of the outer wall must not exceed 8½' (2.6m).

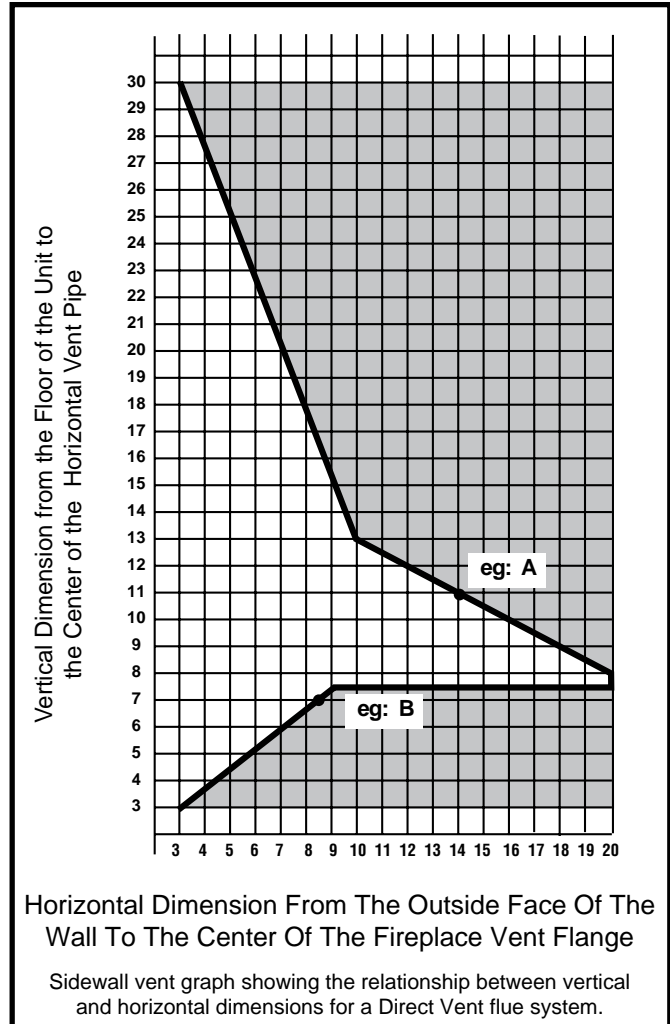


Fig. 11 Sidewall venting graph. (Dimensions in feet)

Rear Wall Vent Applications

NOTE: It is not necessary to seal the vent pipe joints for any straight out of the wall rear vent applications.

NOTE: Vent Starter Kit Model 7TDVSK or 7DVSK must be used in straight out of the wall rear vent applications.

Maximum Vent Length.....20" (508 mm) (Fig. 12)



Minimum clearance between vent pipes and combustible materials is one (1") inch (25 mm) on the sides and two (2") inches (50 mm) on top.



When vent termination exits through foundation less than 20" (508 mm) below siding outcrop, the vent pipe must flush up with the siding.

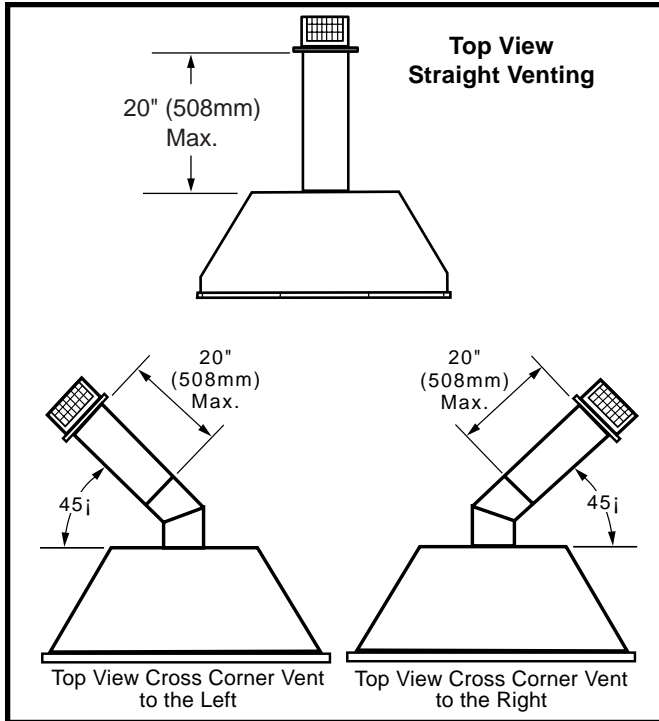


Fig. 12 Rear vent applications.

Rear Wall Installations

STEP 1

Locate vent opening on the wall. To locate hole center consult with appropriate fireplace dimensions, Page 4. Frame as shown below.

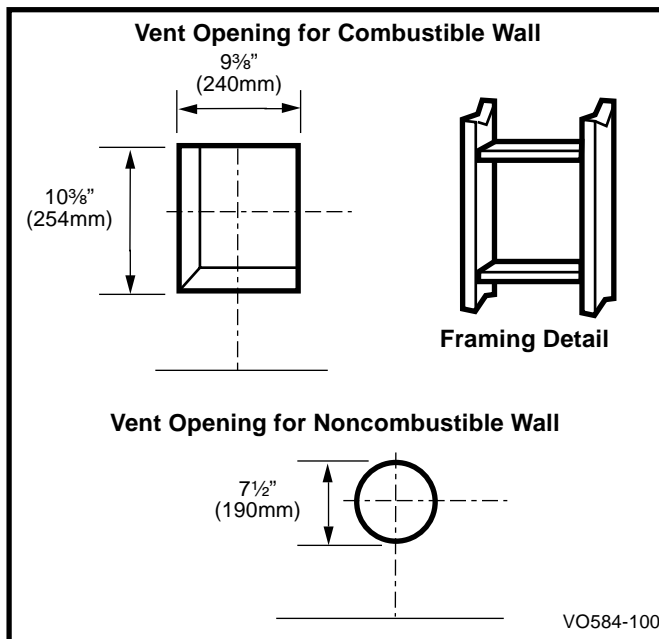


Fig. 13 Straight out through the wall application.

Combustible Walls: Cut a 10³/₈"H (264 mm) x 9³/₈" W (240 mm) hole through the exterior wall and frame as shown. (Fig.13)

Noncombustible Walls: Hole opening must be 7¹/₂" (190 mm) in diameter. (Fig. 13)

STEP 2

Measure wall thickness and cut zero clearance sleeve parts to proper length (MAXIMUM 12"/305 mm). Assemble sleeve and attach to firestop with #8 sheet metal screws (supplied).

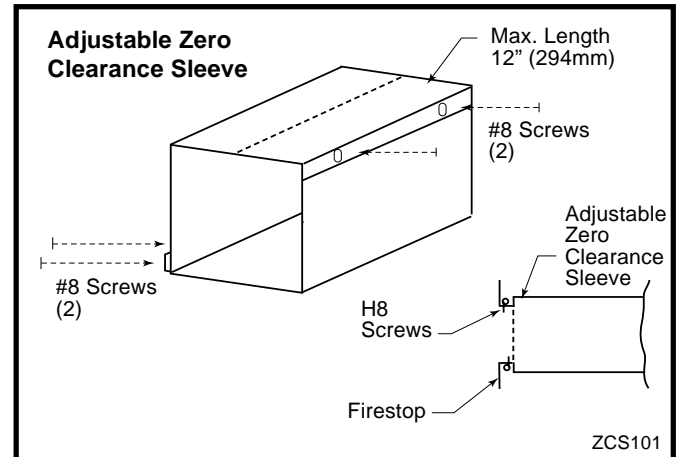


Fig. 14 Adjustable zero clearance sleeve.

STEP 3

Measure from the fireplace collar or elbow face to face of outside wall (add 2" for vent pipe overlap). Mark pipes and cut to length. It is very important that the two pipes are flush with the outside wall once the fireplace is in its final location.

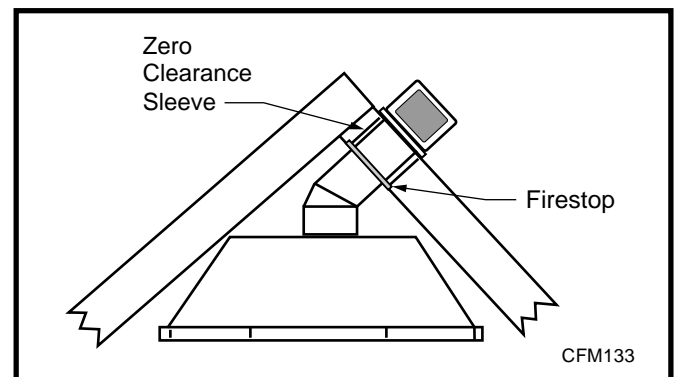


Fig. 15 Zero clearance sleeve and firestop installation.

STEP 4

Slip 4" and 7" pipes onto respective flue collars. Make sure to fix to the fireplace collar the 4" pipe with three (3) screws before fixing the 7" pipe on the 7" collar. Both pipes must be on a level plane. (Fig 16)

STEP 5

Guide the vent termination 4" collar into the 4" pipe then the 7" collar into the 7" pipe. Do not force the venting into position. If the pipes do not line up with the termination collars, disassemble pipes and reattach to the fireplace collar. (Fig. 16)

STEP 6

Secure fireplace to floor through floor holes and adjustable frame drywall strip (nailing flange) to frame. (Refer to Framing & Finishing Section).

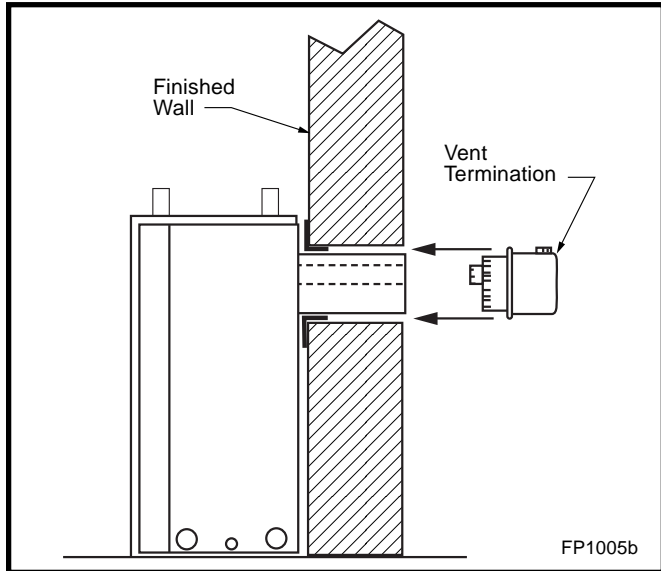


Fig. 16 Side view of final unit location.

Vertical Sidewall Applications



Since it is very important that the venting system maintain its balance between the combustion air intake and the flue gas exhaust, certain limitations as to vent configurations apply and must be strictly adhered to.

The Vent Graph shows the relationship between vertical and horizontal side wall venting and will help to determine the various dimensions allowable.



Minimum clearance between vent pipes and combustible materials is one 1" (25mm) on top, bottom and sides unless otherwise noted.

When vent termination exits through foundations less than 20" below siding outcrop, the vent pipe must flush up with the siding. It is always best to locate the fireplace in such a way that minimizes the number of offsets and horizontal vent length.

The horizontal vent run refers to the total length of vent pipe from the flue collar of the fireplace to the face of the outer wall.

Horizontal plane means no vertical rise exists on this portion of the vent assembly.

- The maximum horizontal vent run is 20 ft. (6100 mm) when the vertical vent rise is 7½ ft. (2286 mm). (Fig. 17)
- The maximum number of 90° elbows per side wall installation is three (3).

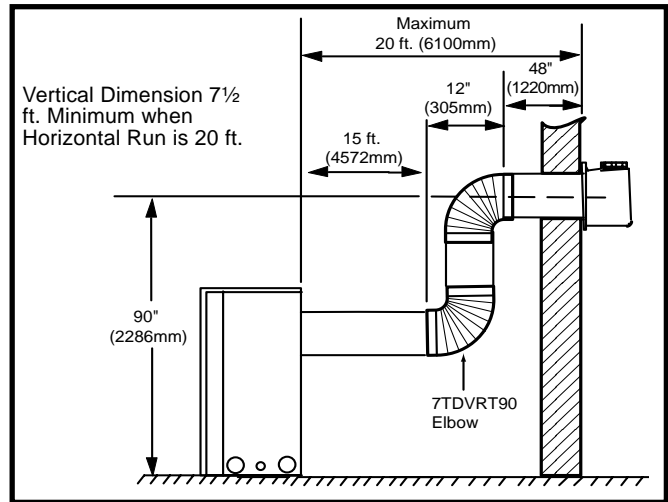


Fig. 17 Maximum dimensions.

- If a 90° elbow is fitted directly on top of the fireplace flange, the maximum horizontal vent run before the termination or a vertical rise is 36" (914 mm).

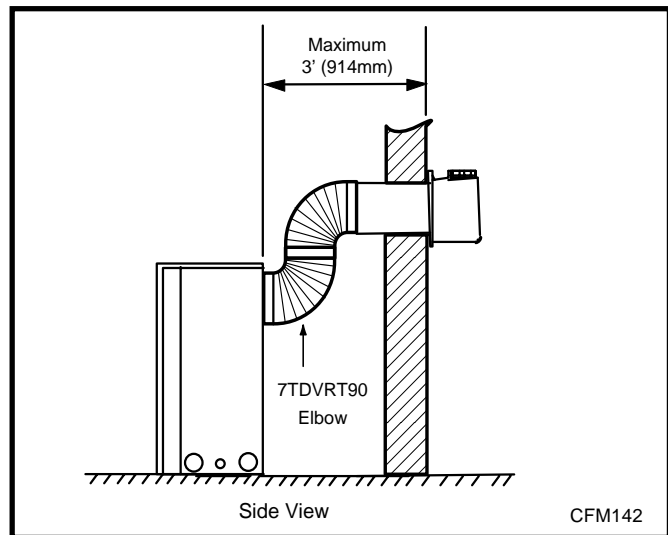


Fig. 18 Maximum horizontal vent run before termination.

- If a 90° elbow is used in the horizontal vent run (level height maintained) the maximum horizontal vent length is reduced by 36" (914 mm). (Fig. 18) This does not apply if the 90° elbows are used to increase or redirect a vertical rise. (Fig. 19)

Example: According to the chart the maximum horizontal vent length in a system with a 7.5' vertical rise is 20' (6 m) and if a 90° elbow is required in the horizontal vent it must be reduced to 17' (5.2 m). In Figure 20 Dimension A plus B must not be greater than 17' (5.2 m).

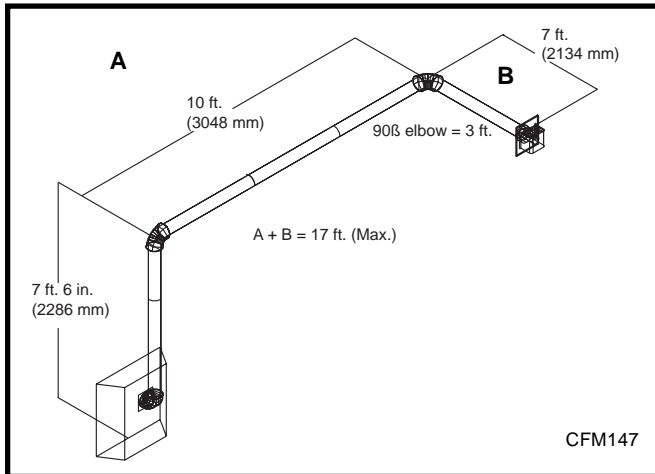


Fig. 19 Dimension A plus B must not be greater than 17' (5.2m).

- The maximum number of 45° elbows permitted per side wall installation is two (2). These elbows can be installed in either the vertical or horizontal run.
- For each 45° elbow installed in the horizontal run, the length of the horizontal run **MUST** be reduced by 18" (45cm). This does not apply if the 45° elbows are installed on the vertical part of the vent system.
- The maximum number of elbow degrees in a system is 270°. (Fig. 20)

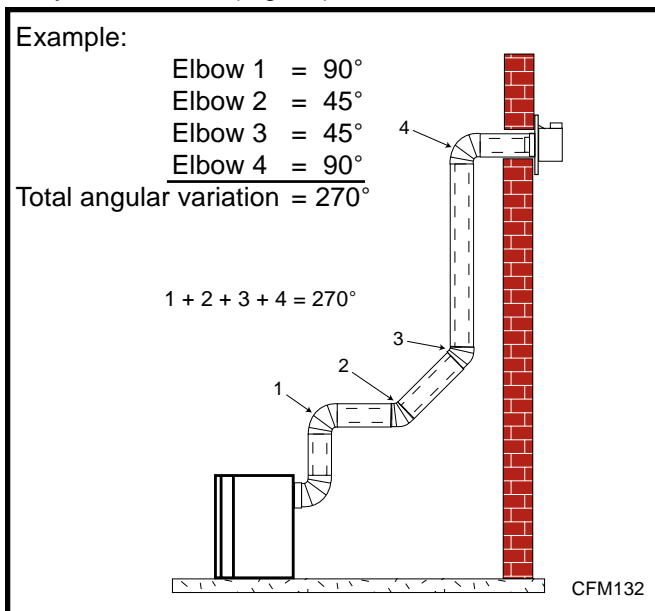


Fig. 20 Maximum elbow usage.



• **IMPORTANT** • Minimum clearance between vent pipes and combustible materials is one (1") inch (25 mm) on bottom, sides and top.

Twist Lock Vent Starter Kit 7DVSK, plus Transition Elbow 7DVRT90 must be used in Vertical Sidewall installations. The 4" pipe must be centred inside the 7" pipe coming off the 7DVRT90 transition elbow.

Canadian & USA Installations:

The venting system must conform with local codes, or in the absence of local codes, with National Fuel Gas Code, ANSI Z223.1 - latest edition, or CSA-B149.1 Installation Code.



Only CFM Corporation venting components specifically approved and labelled for this fireplace may be used.

Vertical Sidewall Installations

STEP 1

Locate vent opening on the wall. It may be necessary to first position the fireplace and measure to obtain hole location. Depending on whether the wall is combustible or noncombustible, cut opening to size. (Fig. 21)

(For combustible walls first frame in opening.)

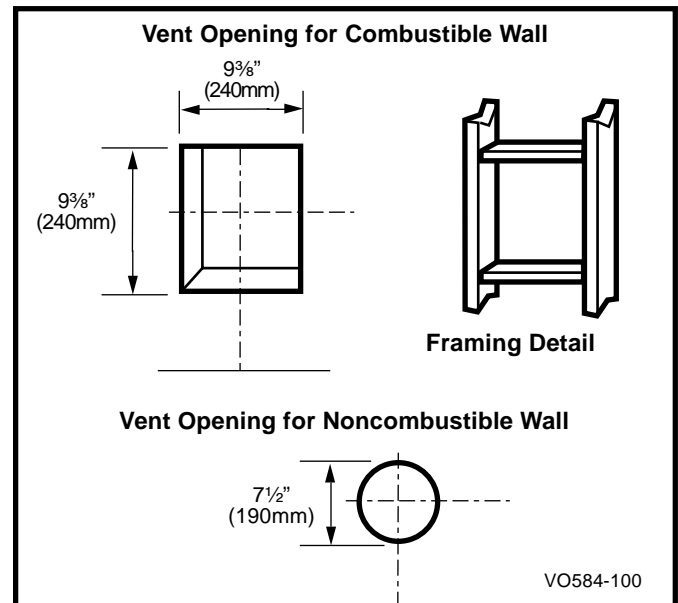



Fig. 21 Locate vent opening on wall.

Combustible Walls (Fig. 21): Cut a 9 5/8" H x 9 5/8" W (240 mm x 240 mm) hole through the exterior wall and frame.

Noncombustible Walls (Fig. 21): Hole opening must be 7 1/2" (190 mm) in diameter.

STEP 2

Measure wall thickness and cut adjustable zero clearance sleeve parts to proper length (MAXIMUM 12"/305 mm). (Fig. 22) Adjust sleeve to minimum (9³/₈" x 9³/₈") and attach to firestop with #8 sheet metal screws (supplied). Assemble sleeve and attach to firestop with #8 sheet metal screws (supplied). Install firestop assembly.

 **Zero clearance sleeve is only required for combustible walls.**

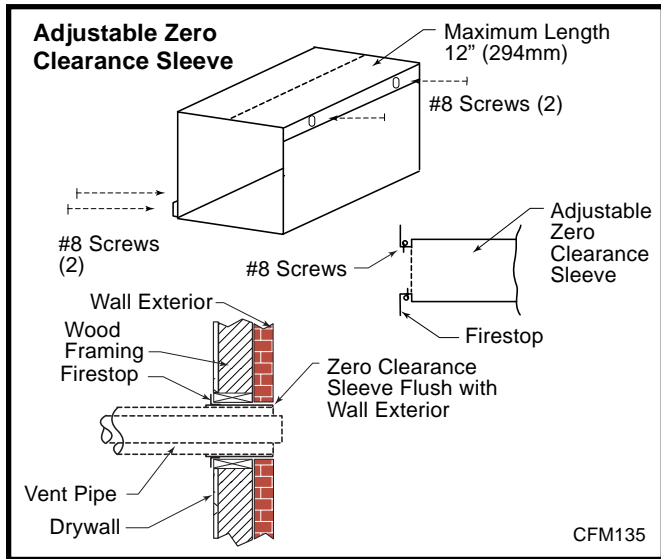


Fig. 22 Zero clearance sleeve and firestop.

STEP 3

Apply a bead of high temperature sealant to the inner and outer flue collars of the fireplace and using appropriate venting component(s) attach to fireplace with three (3) screws. (Fig. 23) Follow with the installation of the inner and outer elbow. Again secure joints with three (3) sheet metal screws. Wipe off any excess high temperature sealant.

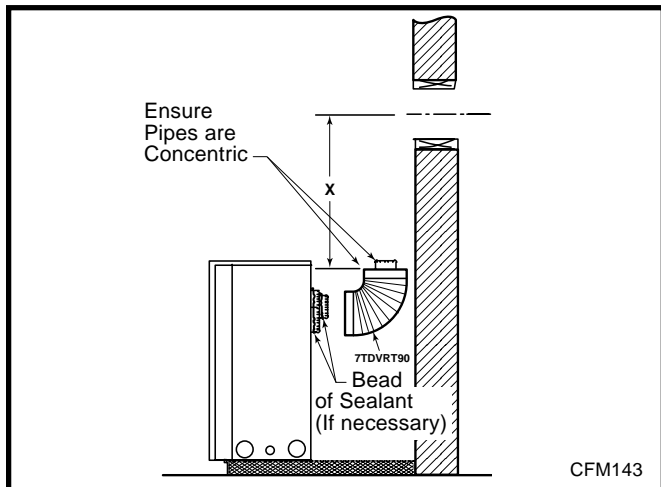


Fig. 23 Apply bead of sealant as needed.

STEP 4

Measure the horizontal length requirement including a 2" (50 mm) overlap, i.e. from the elbow to the outside wall finish plus 2" (or the distance required if installing a second 90° elbow. (Fig. 24)

 **Always install horizontal venting on a level plane.**

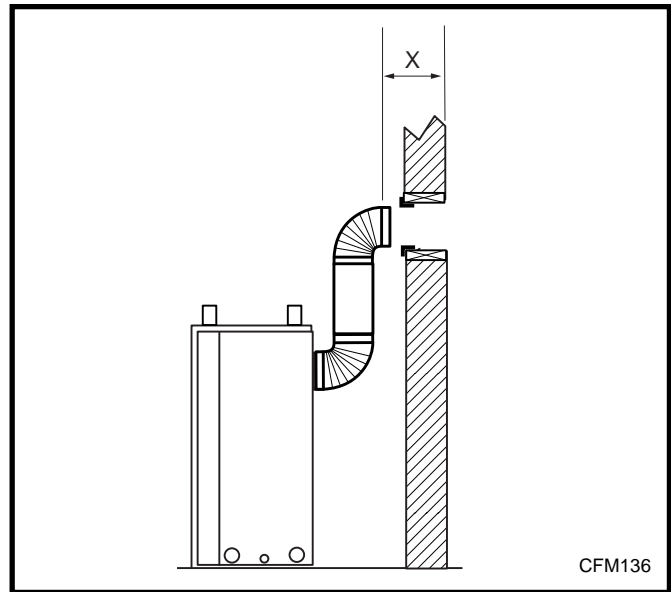



Fig. 24 Measure horizontal length requirement plus 2".

STEP 5

Use appropriate length of pipe section - telescopic or fixed - and install the horizontal vent sections. The 20" (508 mm) section of pipe which goes through the wall is packaged with the 7DVSJ starter kit, and can be cut to suit if necessary. (Fig. 25)

 **Sealing vent pipe and firestop gaps with high temperature sealant will restrict cold air being drawn in around fireplace.**

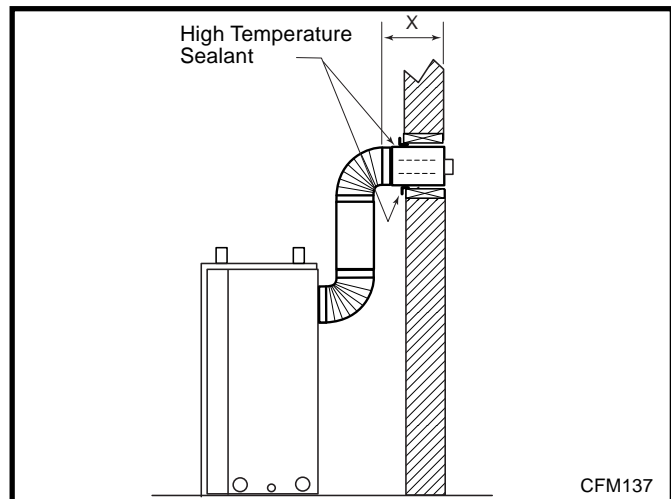


Fig. 25 Install horizontal vent sections.

STEP 6

Apply high temperature sealant to 4" (100 mm) and 7" (175 mm) collars or the termination one inch away from the crimped end. Guide the vent termination's 4" and 7" collars into their respective vent pipes. Double check that the vent pipes overlap the collars by 2" (50mm). Secure the termination to the wall with screws provided and caulk around the wall plate to weatherproof. (Fig. 26)

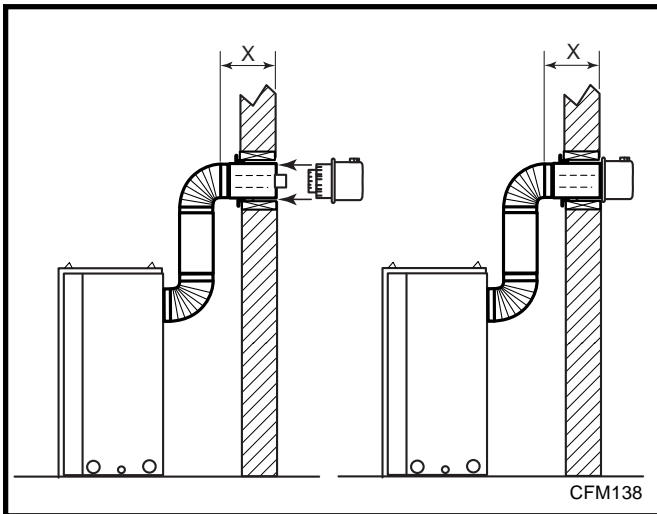


Fig. 26 Install vent terminations.

STEP 7

Support the horizontal pipes every 36" (914mm) with metal pipe straps. Make sure that the horizontal vent pipe is installed on a level horizontal plane.

STEP 8

Re-check the fireplace to make sure that it is levelled, properly positioned, and nailed or screwed to the floor. If applied, the fireplaces adjustable frame drywall strips (nailing flanges) should be fastened. Refer to "Framing & Finishing".

Below Grade Installations

When it is not possible to meet the required vent terminal clearances of 12" (305mm) above grade level a snorkel vent kit #7DVSKS is required. It allows installation depth of down to 7" (178mm) below grade level. The 7" is measured from the center of the horizontal vent pipe as it penetrates through the wall.



If venting system is installed below ground, we recommend a window well with adequate and proper drainage.

Ensure sidewall venting clearances are observed.



The maximum horizontal run with 24" vertical rise is 36" (914 mm) from the back of the fireplace to the face of the exterior wall. See vent graph (Page 11) for extended horizontal run if the vertical rise exceeds 24" (610mm).

1. Establish vent hole through the wall. (Fig. 21)
2. Remove soil to a depth of approximately 16" (406mm) below base of snorkel. Install window well (not supplied). Refill hole with 12" (305mm) of coarse gravel leaving a clearance of approximately 4" (100mm) below snorkel. (Fig. 27)
3. Install vent system. Refer to Page 14, Steps 2 through 5.
4. Ensure a watertight seal is made around the vent pipe coming through the wall.
5. Apply high temperature sealant caulking (supplied) around the 4" and 7" 7DVSKS's snorkel collars.
6. Slide into the vent pipe and secure to the wall.
7. Level the soil to maintain a 4" (100mm) clearance below snorkel. (Fig. 27)

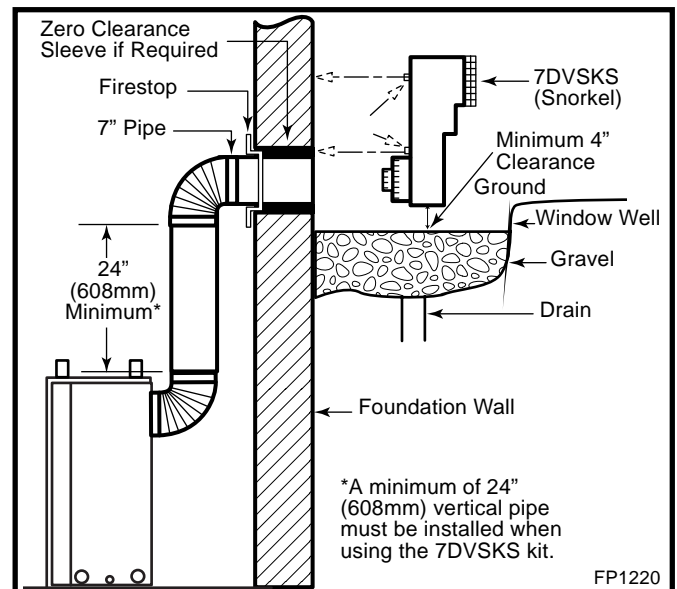


Fig. 27 Below grade installation.



Do not back fill around snorkel. A clearance of at least 4" (100mm) must be maintained between the snorkel and the soil.

If the foundation is recessed, use recess brackets (not supplied) for securing lower portion of the snorkel. Fasten brackets to wall first, then secure to snorkel with self drilling #8 x 1/2 sheet metal screws. It will be necessary to extend vent pipes out as far as protruding wall face. (Fig. 28)

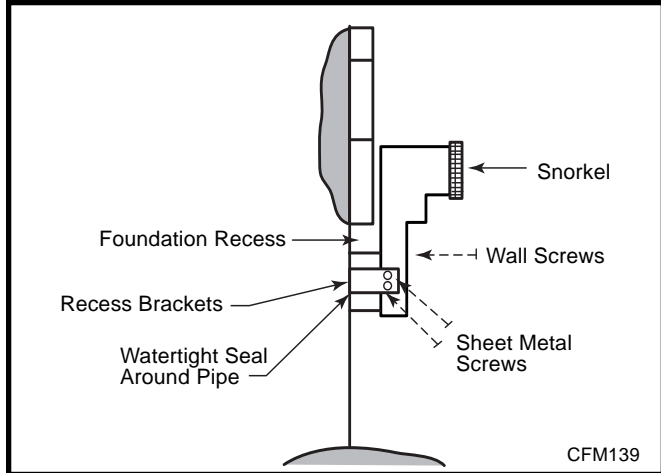


Fig. 28 Snorkel installation, recessed foundation.

Vertical Through-the-Roof Applications

This Gas Fireplace has been approved for:

- a. Vertical installations up to 40' (12m) in height. Up to 10' (3048mm) horizontal vent run can be installed within the vent system using a maximum of three 90° elbows.

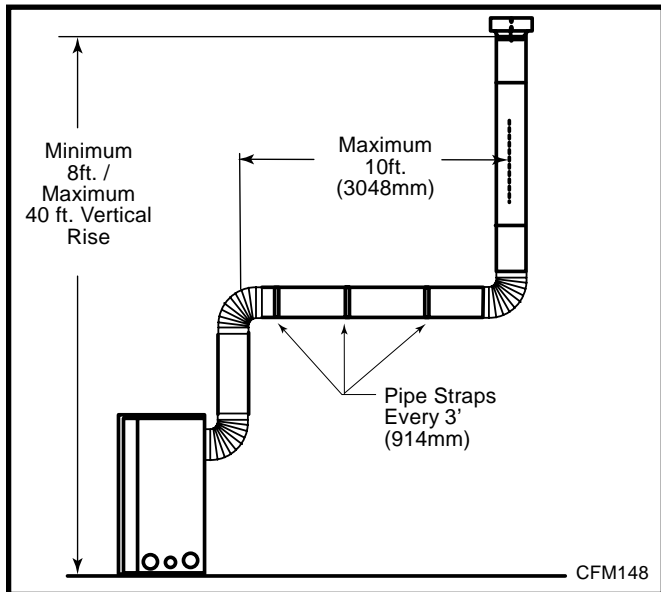


Fig. 29 Vertical through-the-roof application.

- b. Up to two 45° elbows may be used within the horizontal run. For each 45° elbow used on the horizontal level the maximum horizontal length must be reduced by 18" (457mm).

Example: Maximum horizontal length

0 x 45° elbows = 10' (3048mm)

1 x 45° elbows = 8½' (2590mm)

2 x 45° elbows = 7' (2133mm)

- c. A minimum of an 8' vertical rise.
- d. Two sets of 45° elbows offsets within these vertical installations. From 0 to a maximum of 8' (2438 mm) of vent pipe can be used between elbows. (Fig. 30)
- e. 7DVCS must be used to support offsets. (Fig. 32)
This application will require that you first determine the roof pitch and use the appropriate 7DVSKV (A, B or F). (Refer to Venting Components List, pages 18, 19)

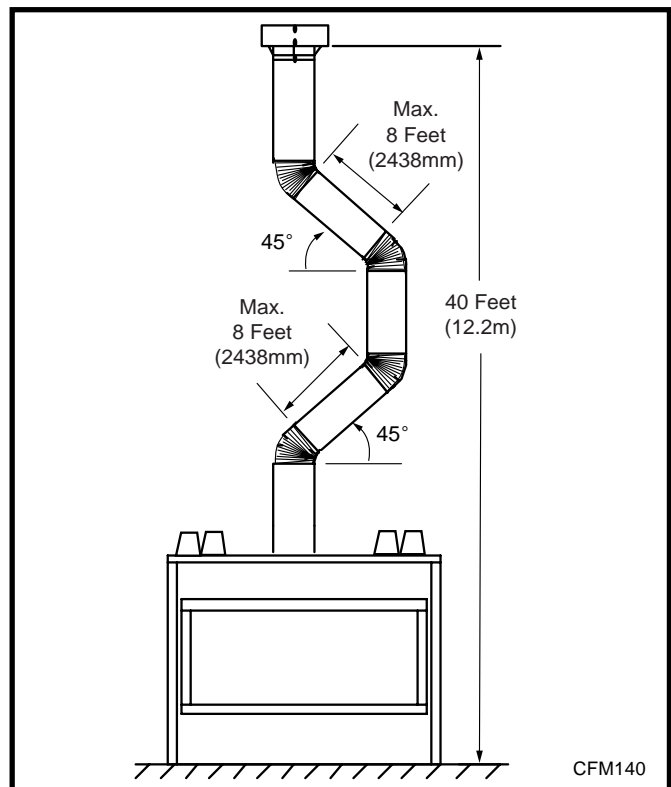


Fig. 30 Typical straight-up installation.

Vertical Through-the-Roof Installation

1. Locate your fireplace.
2. Plumb to center of the (4") flue collar from ceiling above and mark position.
3. Cut opening equal to 9⅞" x 9⅞" (240 mm x 240 mm).
4. Proceed to plumb for additional openings through the roof. In all cases, the opening must provide a minimum of 1 inch clearance to the vent pipe, i.e., the hole must be at least 9⅞" x 9⅞" (240 mm x 240 mm).
5. Place fireplace into position.

6. Place firestop(s) #7DVFS or Attic Insulation Shield #7DVAIS into position and secure. (Fig. 31)
7. Install roof support (Fig. 32) and roof flashing making sure upper flange is below the shingles. (Fig. 33)
8. Install appropriate pipe sections until the venting is above the flashing. (Fig. 33)
9. Install storm collar and seal around the pipe.
10. Add additional vent lengths for proper height. (Fig. 34)
11. Apply high temperature sealant to 4" and 7" collars of vertical vent termination and install.

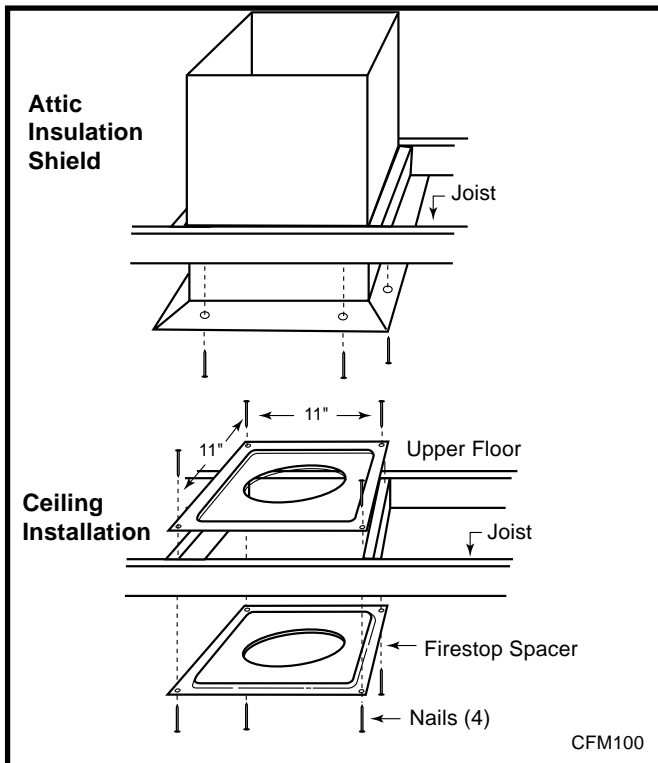


Fig. 31 Place firestop spacer(s) and secure.



If there is room above ceiling level, firestop spacer must be installed on both the bottom and the top side of the ceiling joists. If an attic is above ceiling level a 7DVAIS (Attic Insulation Shield) must be installed. (Fig. 31)



The enlarged ends of the vent section always face downward. (Fig. 33)

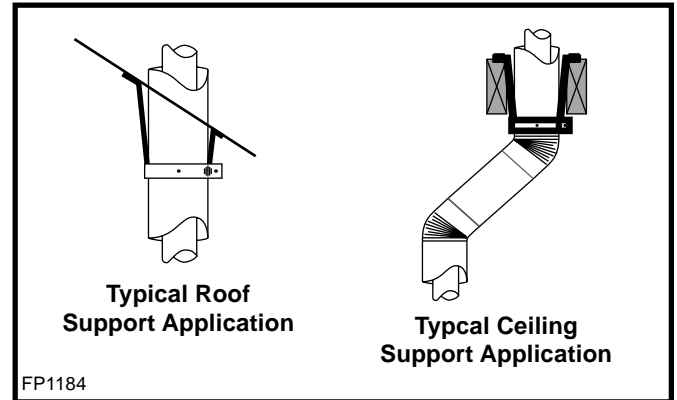


Fig. 32 Typical support applications.

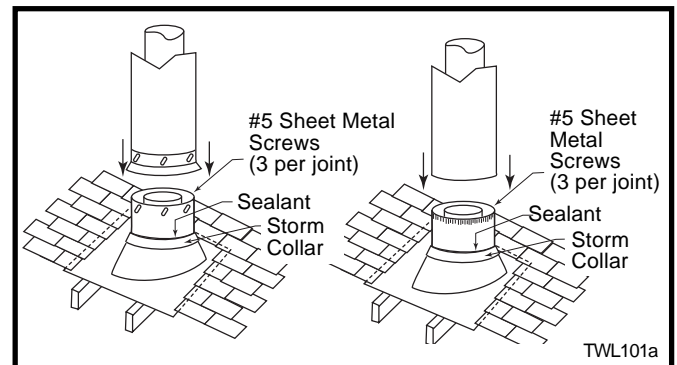


Fig. 33 Roof flashing.

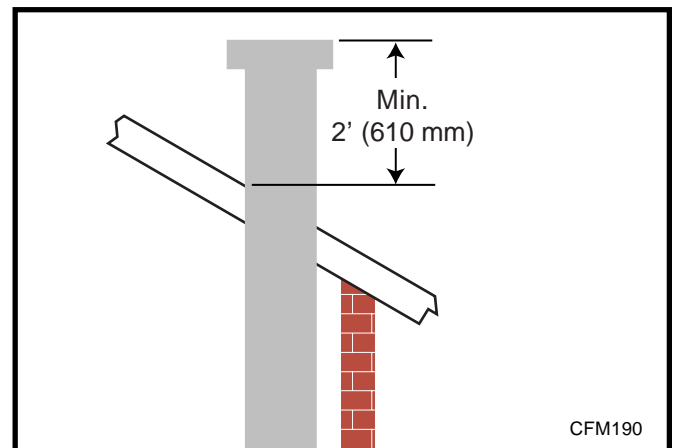
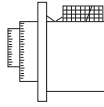
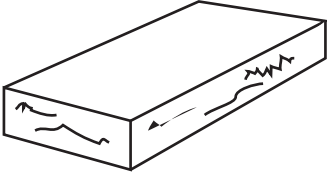

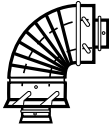
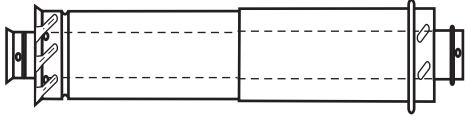
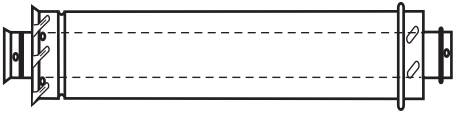
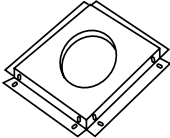
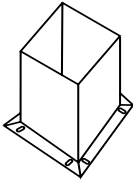
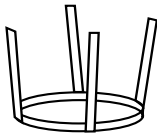
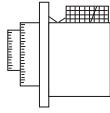
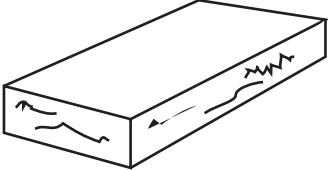
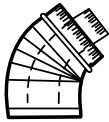

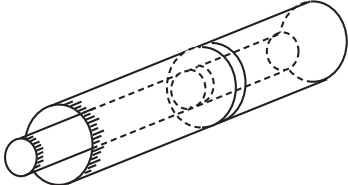
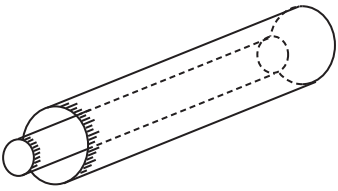
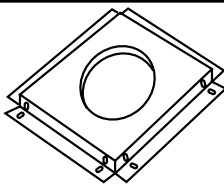
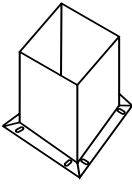
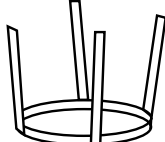


Fig. 34 Minimum termination to roof clearance.

Twist Lock Venting Components	
	7TDVVRT-Through the wall Rear Vent Termination
	Starter Kit-Model7TDVSK-Sidewall Venting Starter Kit-Model 7TDVSKV-Vertical Venting for 7TDVSKV-A order 1/12 to 6/12 roof pitch for 7TDVSKV-B order 7/12 to 12/12 roof pitch for 7TDVSKV-F order flat roof Starter Kit-Model 7DVSKS-Snorkel Kit for Below Grade Installation
	45° elbow kit 7TDV45 for Rear Vent to Vertical Vent or Vertical/Horizontal Offsets
	90° Transition elbow kit 7TDVRT90 for Rear Vent to Vertical Vent 90° Elbow 7TDV90 Vertical/Horizontal Offset
	Telescopic vent sections 12" to 18" 7TDVP1218 -12" to 18" adjustable length 7TDVP3564 -35" to 64" adjustable length
	Pipe sections for vertical or horizontal venting Model 7TDVP8" 4 per box Model 7TDVP12" 4 per box Model 7TDVP24" 4 per box Model 7TDVP36" Model 7TDVP48"
	Firestop Spacer Model 7DVFS
	Attic Insulation Shield Model 7DVAIS
	Vertical/Horizontal Combination Offset Support Model 7DVCS

Crimped End Venting Components	
	7TDVRVT-Through the wall Rear Vent Termination
	Starter Kit-Model 7TDVSK-Sidewall Venting Starter Kit-Model 7TDVSKV-Vertical Venting for 7TDVSKV-A order 1/12 to 6/12 roof pitch for 7TDVSKV-B order 7/12 to 12/12 roof pitch for 7TDVSKV-F order flat roof Starter Kit-Model 7DVSKS-Snorkel Kit for Below Grade Installation
	45° elbow kit 7DVT45 for Vertical Installation Offsets 7DVR45 for Rear Vent Application
	90° Transition elbow kit 7DVRT90 for Vertical Sidewall Applications or through-the-roof.
	Telescopic vent sections 7DVP610 -6" to 10" adjustable length 7DVP1018 -10" to 18" adjustable length 7DVP1834 -18" to 34" adjustable length 7DVP3466 -34" to 66" adjustable length
	Pipe sections for vertical or horizontal venting Model 7DVP8" - 4 per box Model 7DVP12" - 4 per box Model 7DVP24" - 4 per box Model 7DVP36" Model 7DVP48"
	Firestop Spacer Model 7DVFS
	Attic Insulation Shield Model 7DVAIS
	Vertical/Horizontal Combination Offset Support Model 7DVCS

Operating Instructions

Glass Information



Only glass approved by the CFM Corporation should be used on this fireplace.

- The use of any non-approved replacement glass will void all product warranties.
- Care must be taken to avoid breakage of the glass.
- Under no circumstances should this appliance be operated without the window frame assembly in place, or with the glass in a damaged condition.
- Replacement glass (complete with gasket) is available through your CFM Harris dealer and should only be installed by a licensed qualified service person.

Louvre Removal

The top louvre panel is removed by lifting the panel vertically and pulling it away from the appliance. (Fig. 35) The lower access door is hinged along the bottom edge and is folded down to allow access.

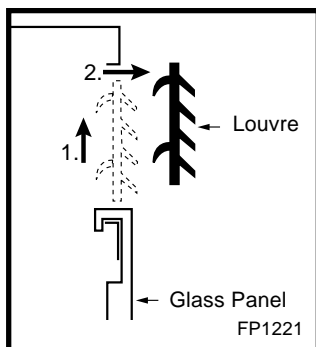


Fig. 35 Remove top louvre panel.

Window Frame Assembly Removal

1. Turn the fireplace OFF (including the pilot).
2. If the unit has been operating allow time for the components to cool.
3. Remove the top louvre assembly.
4. Open the lower louvre panel.
5. Release the two clamps securing the lower edge of the window frame assembly by pulling down on the handles. (Fig. 36)
6. Tilt the window frame assembly out slightly at the bottom, lift the window frame assembly up and away from the fireplace.
7. To replace the window frame assembly reverse the procedure.

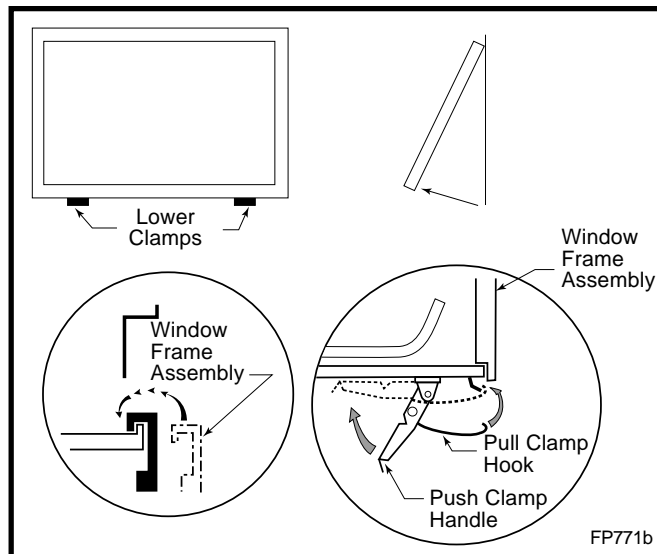


Fig. 36 Window frame assembly removal.

Glass Cleaning

It is necessary to periodically clean glass. During start-up condensation, which is normal, forms on the inside of the glass. This condensation causes lint, dust and other airborne particles to cling to glass surface.

Also initial paint curing may deposit a slight film on the glass. It is therefore recommended the glass be cleaned two or three times with a non-ammonia based household cleaner and warm water (We recommend gas fireplace glass cleaner) within the first few weeks of operation.

After the initial cleaning process the glass should be cleaned two or three times during each operating season depending on the environment in the house.



Clean the glass after the first two weeks of operation.

Installation of Logs, Lava Rock & Ember Material

Unpack the logs from packaging and remove each log from its wrapping materials.



The logs are fragile and should be handled with care. Keep the packaging material out of the reach of children and dispose of the material in a safe manner.

The individual logs can be easily identified by the numbers cast on the underside of each log.

Log Identification Chart

Location	H33BDVRRN/P
Front Right	BA9
Rear Left	BA7
Rear Fr Rt	BA8

Refer to Figure 37

1. Remove the top louvre assembly.
2. Remove the window frame assembly.
3. Fit the rear front right log (BA8) onto the rear log support.
Ensure the rear right end of the log is located against the bracket bending up on the right side of the support.
4. Fit the rear left log (BA7) onto the rear support.
Ensure the rear right end of the log is located against bracket bending up on the right side of the support.
5. Place the right rear log (BA9) in position by resting the hole under the center of this log located over the knob on the branch of the rear front right log, and the front end of this log will also set against the back wall of the deflector. (Fig. 37)
6. Scatter the ember material over the front area of the burner housing assembly (Refer to Figure 38 for details). Do not pack this material tightly, separate it when unpacked and keep it in a loose condition.
7. Scatter the lava rock material around the firebox base.



Do not place any of the lava rock material on the burner housing.

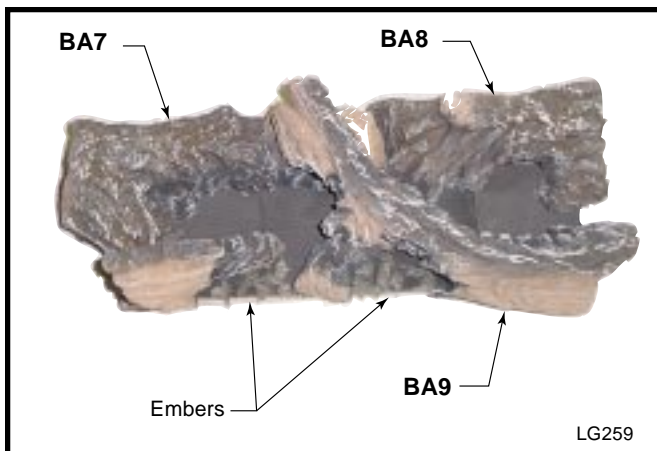


Fig. 37 H33BDVRRN/P log placement.

Flame & Temperature Adjustment

For units equipped with 'HI/LO' valves the flame adjustment is accomplished by rotating the 'HI/LO' adjustment knob located near the center of the gas control valve. (Fig. 38)



Fig. 38 Flame adjustment knob for Honeywell valve.

Flame Characteristics

It is important to periodically perform a visual check of the pilot and burner flames. Compare them to the figures below. (Figs. 39-40)

If the flame patterns appear abnormal contact a qualified service provider for service and adjustment.

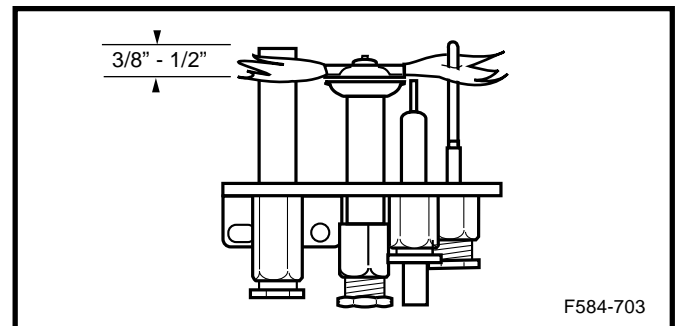


Fig. 39 Correct pilot flame appearance.



Fig. 40 Correct flame appearance.

Lighting And Operating Instructions

FOR YOUR SAFETY READ BEFORE LIGHTING

WARNING: If you do not follow these instructions exactly, a fire or explosion may result causing property damage, personal injury or loss of life.

- A. This heater has a pilot which must be lit manually. When lighting the pilot follow these instructions exactly.
- B. BEFORE LIGHTING smell all around the heater area for gas. Be sure to smell next to the floor because some gas is heavier than air and will settle on the floor.


WHAT TO DO IF YOU SMELL GAS

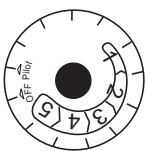
- Do not try to light any fireplace
- Do not touch any electric switch
- Do not use any phone in your building
- Immediately call your gas supplier from a neighbor's phone. Follow the gas supplier's

instructions.

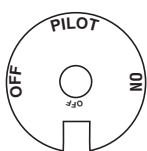
- If you cannot reach your gas supplier, call the Fire Department
- C. Use only your hand to push in or turn the gas control knob. Never use tools. If the knob will not push in or turn by hand, do not try to repair it, call a qualified service technician. Applying force or any attempted repair may result in a fire or explosion.
- D. Do not use this fireplace if any part has been under water. Immediately call a qualified service technician to inspect the heater and to replace any part of the control system and any gas control which has been under water.

Lighting Instructions

1. **STOP!** Read the safety information above.
2. Turn off all electrical power to the fireplace.
3. For MN/MP/TN/TP appliances ONLY, go on to Step 4. For RN/RP appliances turn the On/Off switch to "OFF" position or set thermostat to lowest level.
4. Open control access panel.
5. Push in gas control knob slightly and turn clockwise  to "OFF".




Euro SIT



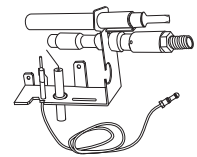
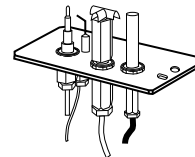
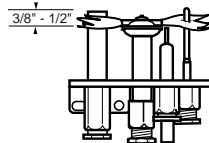
SIT NOVA



Honeywell

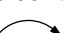
6. Wait five (5) minutes to clear out any gas. Then smell for gas, including near the floor. If you smell gas, STOP! Follow "B" in the safety information above. If you do not smell gas, go to the next step.
7. Remove glass door before lighting pilot. (See Glass Frame Removal section).
8. Visibly locate pilot by the main burner.
9. Turn knob on gas control counterclockwise  to "PILOT".

10. Push the control knob all the way in and hold. Immediately light the pilot by repeatedly depressing the piezo spark ignitor until a flame appears. Continue to hold the control knob in for about one (1) minute after the pilot is lit. Release knob and it will pop back up. Pilot should remain lit. If it goes out, repeat steps 5 through 8.



- If knob does not pop up when released, stop and immediately call your service technician or gas supplier.
 - If after several tries, the pilot will not stay lit, turn the gas control knob to "OFF" and call your service technician or gas supplier.
11. Replace glass door.
 12. Turn gas control knob to "ON" position.
 13. For RN/RP appliances turn the On/Off switch to "ON" position or set thermostat to desired setting.
 14. Turn on all electrical power to the fireplace.

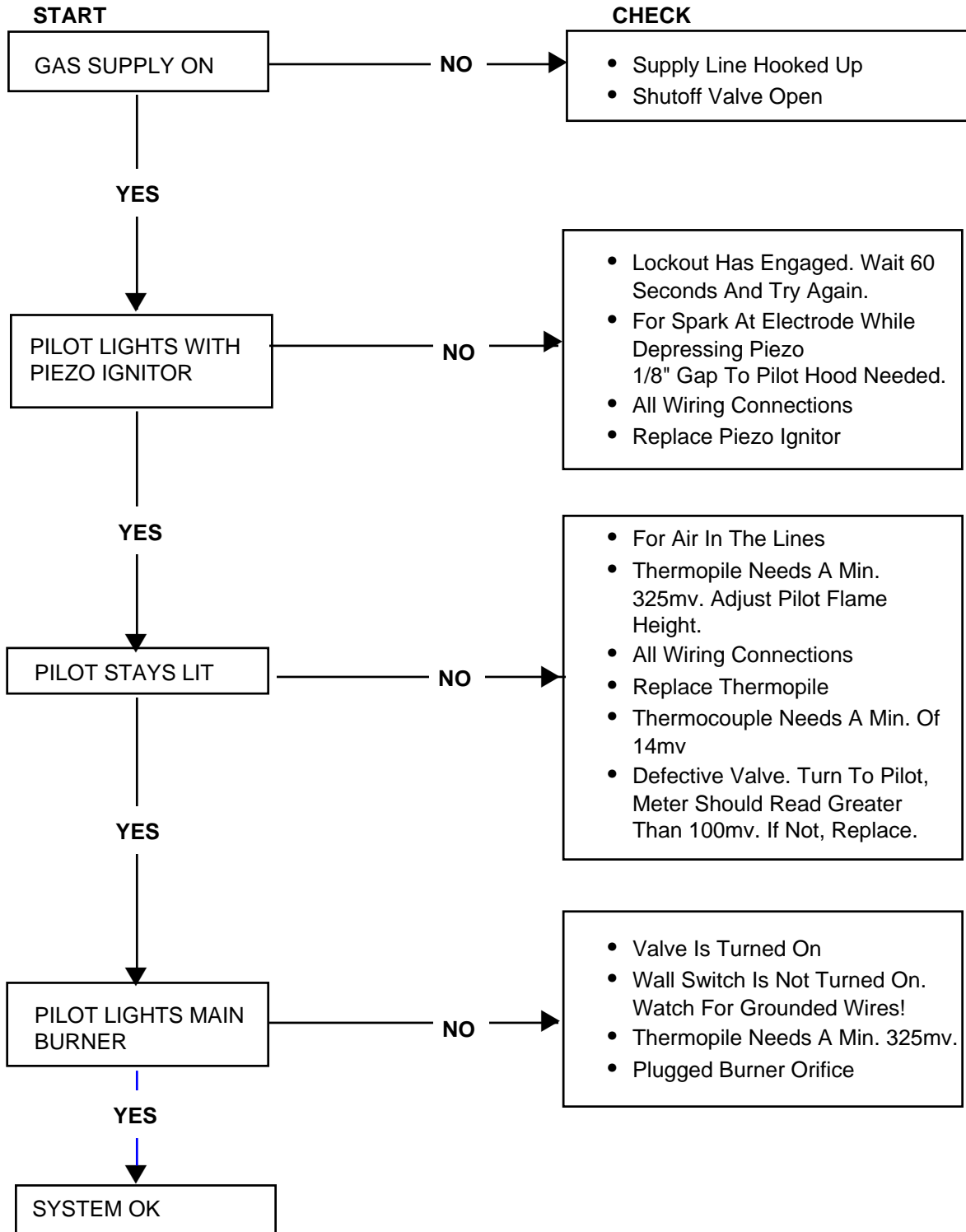
To Turn Off Gas To Heater

1. Turn the On/Off switch to Off position or set the thermostat to lowest setting.
2. Turn off all electric power to the fireplace if service is to be performed.
3. Open control access panel.
4. Push in gas control knob slightly and turn clockwise  to "OFF". Do not force.
5. Close control access panel.

Troubleshooting – Honeywell VS8421



Remove Glass Doors Before Service Work



Fuel Conversion Instructions

This unit is factory setup for use with natural gas.



The conversion of this appliance from natural gas to propane gas must be carried out by an authorized service provider.

LP Conversion Kit Components

(Supplied with unit.)

Description	Part #
Pilot Orifice #35	10002269
Main Burner Orifice #56	50999
Honeywell Conversion Kit	20000550

LP Conversion Procedure

1. Disconnect power to the unit and shut off the gas supply.
2. Remove window frame assembly.
3. Carefully remove the logs & lava rock material.
4. Remove the screws that are holding the burner housing in place.
5. Remove the burner housing assembly. Depending on the model of the appliance you may have to loosen the pilot bracket retaining screw/nut to allow the pilot and bracket assembly to tilt and give enough clearance to remove the burner housing assembly.
6. Remove the main burner orifice and replace it with the orifice supplied in the conversion kit.
7. Gently lift off the pilot hood from the pilot. (Do not remove the spring clip holding the hood in place). Using a correctly sized Allen key unscrew the exposed orifice. Insert the new orifice supplied in the kit, do not over tighten the orifice. Replace the pilot hood ensuring the index tab aligns with the notch on the hood.
8. The Honeywell valve (Fig. 41) fitted to this unit is suitable for use with LP or Natural Gas. It is converted to the required gas application by the installation of a color coded "conversion screw".
 - a) Using a suitable small screwdriver lift out the central regulator cap from the "Hi/Lo" knob on the valve.
 - b) Unscrew the exposed conversion screw.
 - c) Insert the new color coded conversion screw. Do not over-tighten the screw, it must be finger tight.
 - d) Refit the regulator cap.
 - e) Mount conversion label supplied with conversion screw to valve in a visible position.

8. Reassemble the fireplace in the reverse order, except for the window frame assembly. Leave this off until after the unit has been checked for leaks and the gas supply has been bled.
9. After bleeding the gas line and checking for leaks with a soap solution, replace the window frame assembly. Fire up the unit, check for flame impingement on the logs, adjusting them if necessary. Check the manifold and supply pressures against the appliance specifications.

Air Shutter Setting

The air shutter is factory set at 50% open for natural gas (or if converting back to natural gas).

The air shutter setting for propane gas is fully open when field converted.

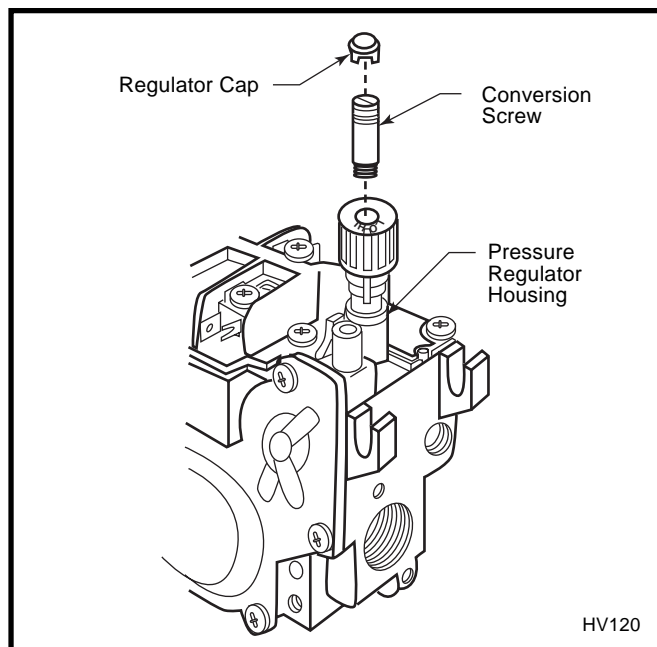


Fig. 41 Honeywell valve conversion.



The procedure for converting from one gas to another is the same regardless of the initial gas used. The only variation is in the orifice-sizes and component part numbers.

NOTE: When converting this unit to LP, keep all parts removed in case you need to convert back to natural gas.

Maintenance

Burner and Burner Compartment

It is important to keep the burner and the burner compartment clean. At least once per year the logs and lava rock/ember material should be removed and the burner compartment vacuumed and wiped out. Remove and replace the logs as per the instructions in this manual.



Always handle the logs with care as they are fragile and may also be hot if the fireplace has been in use.

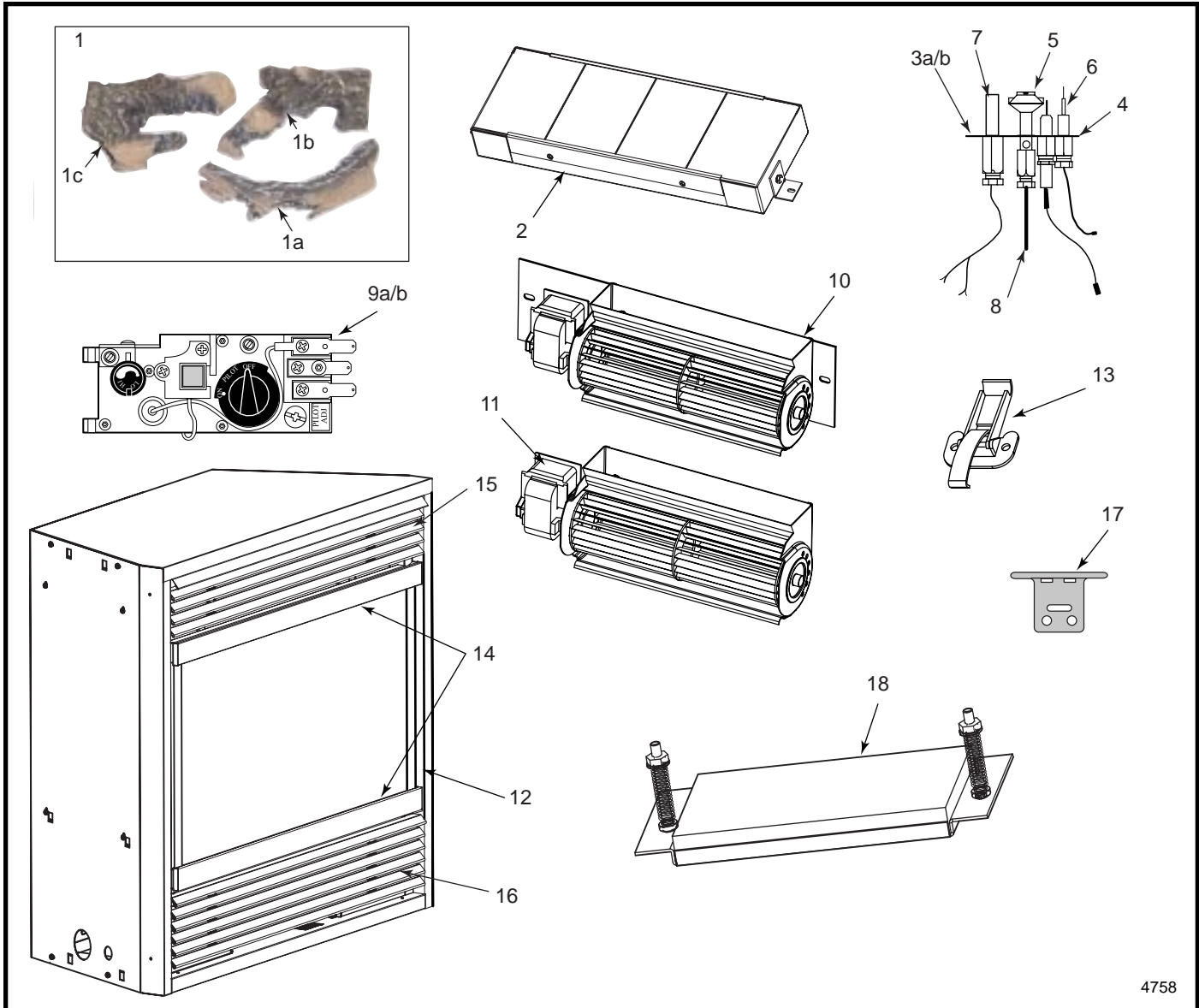
FK24/FK12 Fan Assembly

The optional fan unit requires periodic cleaning. At least once per month in the operating season, open the lower louvre panels and wipe or vacuum the area around the fan to remove any build up of dust or lint.

Brass Trim

Clean the brass trim pieces using a soft cloth lightly dampened with lemon oil. Do not use water or household cleaners on any brass components.

Contact your local representative to arrange an annual service program.



4758

CFM Harris Systems reserves the right to make changes in design, materials, specifications, prices and discontinue colors and products at any time, without notice.

H33BDVRRN/P

Ref.	Description	Part Number
1.	Log Set (Complete)	10003685
1a.	Log - Front Right	BA9
1b.	Log - Rear Left	BA7
1c.	Log - Rear Right	BA8
*	Lava Rock Package (not shown)	10001454
*	Ember Material (not shown)	51915
2.	Burner Housing Assembly	10003653
*	Ceramic Tile, Single (not shown)	57803
*	Orifice, Burner, Natural and Propane (not shown)	See Rating Plate for Orifice Size
3a.	Pilot Assembly, SIT Top Convertible RN	10002264
3b.	Pilot Assembly, SIT Top Convertible RP	10002265

H33BDVRRN/P (continued)

Ref.	Description	Part Number
4.	Pilot, Top Convertible SIT	10002266
*	Pilot Orifice - SIT Top Convertible Nat. (not shown)	10002268
*	Pilot Orifice - SIT Top Convertible Prop. (not shown)	10002269
5.	Pilot Hood, SIT Top Convertible	10002385
6.	Thermocouple, RN & RP	53373
7.	Thermopile, RN & RP	51827
8.	Pilot Tube w/fittings SIT	10001296
*	Manifold Tube w/fittings (not shown)	57318
*	Flexible Gas Line w/ ON/OFF Valve (not shown)	20002500
9a.	Gas Valve Honeywell RN	10001782
9b.	Gas Valve Honeywell RP	10001759
10.	Fan Assembly w/bracket (FK24 Option)	54103
*	Electrical Cord, (FK24 Option) (not shown)	51865
*	Fan Temperature Sensor, (FK24 Option) (not shown)	51704
*	Fan Speed Control, (FK24 Option) (not shown)	51738
*	Knob, Fan Speed Control, (FK24 Option) (not shown)	51882
11.	Fan Assembly, w/bracket (FK12 Option)	ZA1110
12.	Window Frame Assembly	10001803
*	Window Glass w/Gasket (not shown)	10002822
*	Gasket (Window Glass) (not shown)	57317
13.	Clamp, Window Frame Assembly	54174
14.	Window Trim, Polished Brass w/magnets	55005
15.	Top Louvre Assembly	10000292
16.	Bottom Louvre Assembly	10000293
17.	Hinge (Bottom Louvre Assembly)	53256
*	Restrictor Plate (not shown)	10002495
*	Remote ON/OFF Switch	51842
*	Remote Switch it (Switch, Wire & Bracket)	53875
18.	Relief Plate w/Gasket Assy. Burner Tray	10004192
*	Conversion Kit RN to RP (not shown)	10004800

Optional Accessories Available

Fan Kits

FK24 Fan Assembly

This auxiliary fan system increases the efficiency of the circulation of the heated air.

The FK24 fan kit allows variable speed control of the circulation fan and also incorporates a heat sensor in the circuit.

Specifications

115 Volts / 60Hz / 56 Watts

Maintenance

The fan itself does not require regular maintenance, however periodic cleaning of the fan and the surrounding area is required.

Check the area under the control door (lower louvre assembly) and in front of the fan and wipe or vacuum this area at least once a month during the operating season.

Installation

The fan assembly and other components are supplied fully wired, eliminating the need for a licensed electrician to carry out the installation.

If hard wiring the fan in using Method B (following) we strongly recommend the use of a licensed electrician.

1. Open the lower louvre assembly. Maneuver the fan & bracket assembly around the gas valve and lines to locate the unit onto the screw studs on the back of the fireplace.
2. Install the thermal sensor under the bottom of the firebox, locating it over the two 10 mm studs and secure it with nuts.
3. Locate the fan speed control unit. This can be fitted behind the lower louvre assembly as in Figure 43 or located remotely in a conveniently located wall mounted electrical box. Remote location of the speed control will require suitable extension of the component wiring.
4. The power supply may be connected in two ways:

Method A

Route the 6' lead fitted to the unit to a conveniently located wall socket.

Method B (Using EB-1 Receptacle Box)

The EB-1 receptacle box (Pt. # ZA1200) may be hard wired into the house supply. The fan lead is then plugged into the EB-1 box. Refer to Page 29 for wiring the EB-1 receptacle box.

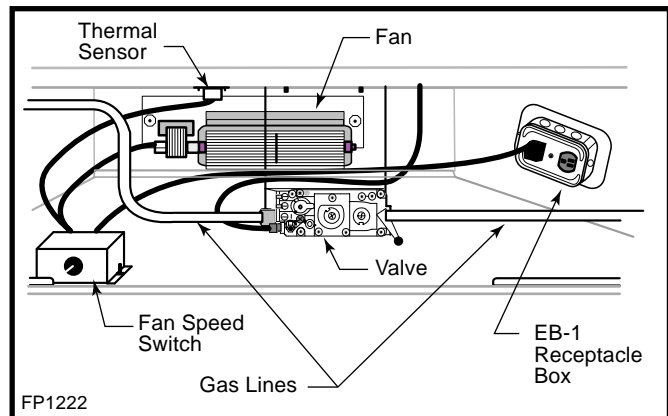


Fig. 42 FK24 fan installation.

FK12

This auxiliary fan system increases the efficiency of the circulation of the heating air.

The FK12 Fan Assembly is a fixed speed fan system and does not allow for variable speed control. It does not use the speed control unit or the heat sensor used in the FK24 Kit.

Specifications

115 Volts / 60 Hz / 56 Watts

Maintenance

The fan itself does not require regular maintenance, however periodic cleaning of the fan and the surrounding area is required.

Check the area under the control door (lower louvre assembly) and in front of the fan and wipe or vacuum this area at least once a month during the operating season.

Installation

The fan assembly is supplied fully wired eliminating the need for a licensed electrician to carry out the installation.

1. Open the lower Louvre assembly. Maneuver the fan & bracket assembly around the gas valve and lines to locate the unit against the back wall of the appliance, resting on the base.
2. With the protective cover removed from the self-adhesive 'Velcro' strips apply mild pressure to the fan & bracket unit to secure the strips to the metal panels. No further securing is required.
3. Power to the fan can be supplied by plugging the supplied lead into a conveniently located wall socket or by using a hard-wired EB-1 receptacle box.

Wiring Instructions



The fireplace, when installed, must be electrically connected and grounded in accordance with local codes or, in the absence of local codes, with the current CSA C22.1 Canadian Electric Code.



For USA installations follow the local codes and the national electrical code ANSI/NFPA No. 70.



Should this fan require servicing or repair the power supply must be disconnected. For rewiring of any replacement parts refer to Figure 43.



Any electrical rewiring of this fan must be done by a licensed electrician.

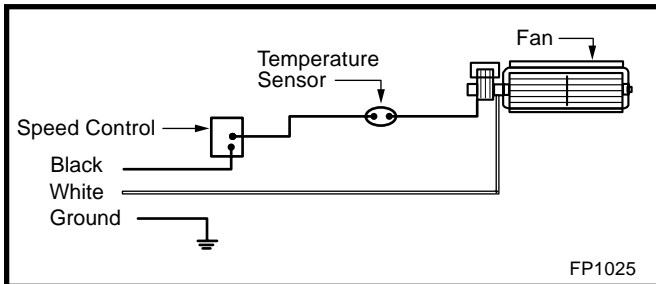


Fig. 43 FK24 fan wiring.

EB-1 Electrical Box



The fireplace, when installed, must be electrically connected and grounded in accordance with local codes or, in the absence of local codes, with the current CSA C22.1 Canadian Electrical Code.



For USA installations follow local codes and the national electrical code ANSI/NFPA No. 70.



It is strongly suggested that the wiring of the EB-1 Electrical Junction Box be carried out by a licensed electrician.



Ensure that the power to the supply line has been disconnected before commencing this procedure.

The EB-1 Electrical junction box option is available to allow for the easy connection of an optional fan kit. To connect the EB-1 box to the house electrical supply follow the steps below.

1. Unscrew the retaining screw from the plate and remove from the appliance. (Fig. 44)
2. Remove the front cover of the EB-1 box.

3. Remove the plug socket assembly from the EB-1 box.
4. Feed the supply line in through the EB-1 opening in the side of the appliance and then through the back of the EB-1 assembly. (Fig. 44)
5. Connect the black wire of the power supply line to the brass screw (polarized) of the socket assembly.
6. Connect the white wire of the power line to the chrome screw of the socket assembly.
7. Connect the ground wire of the supply line to the green screw of the socket assembly.
8. Refit the socket assembly back into the electrical box and replace the cover plate. Secure the cable with the clamp on the outside of the EB-1 base plate and attach the EB-1 assembly to the unit with the screw removed in step 1.

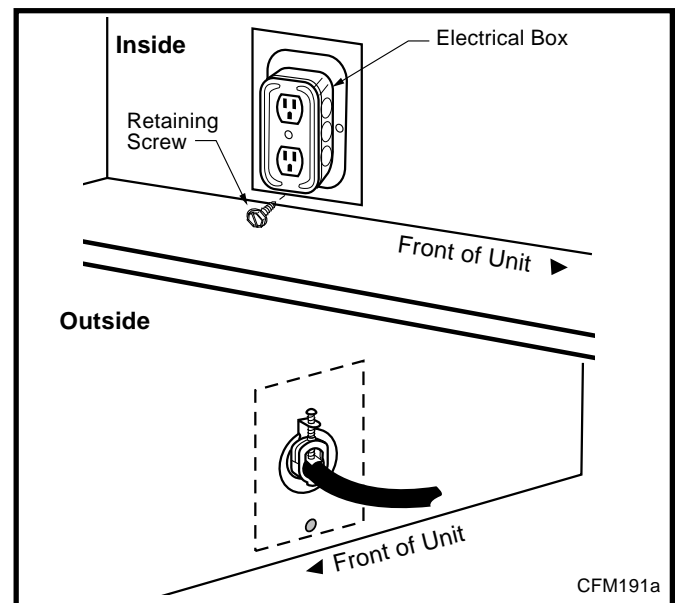


Fig. 44 EB-1 receptacle.

Ceramic Refractory Kits

Ceramic Refractory Panel Kit #AT1CBB is available for this appliance.



Take care when handling the refractory panels as they are fragile until held in place and supported.

Installation, refer to Figures 45 & 46.

1. Remove the front window frame assembly.
2. Remove the logs.
3. Place the lower supports for the side refractory panels on the base of the firebox. Place each support so that the slotted hole fits over the forward screw head along the edge of the base.

4. Lay the angular base panels in place on the floor of the firebox on either side of the burner housing assembly.
5. Loosely attach the top adjustable tabs to the studs located in the top of the firebox toward the front corners.
6. Place the rear refractory panel in place. Locate the lower edge of the panel in the ledge formed by the top of the rear log support bracket.
7. Slide the side refractory panels into place to hold the rear panel secure. Adjust the top adjustable tabs to hold the side panel against the firebox wall and secure the tab. Repeat the procedure on the other side.
8. Replace the logs and window frame assembly.

For aesthetic purposes we recommend lining up the horizontal mortar lines.

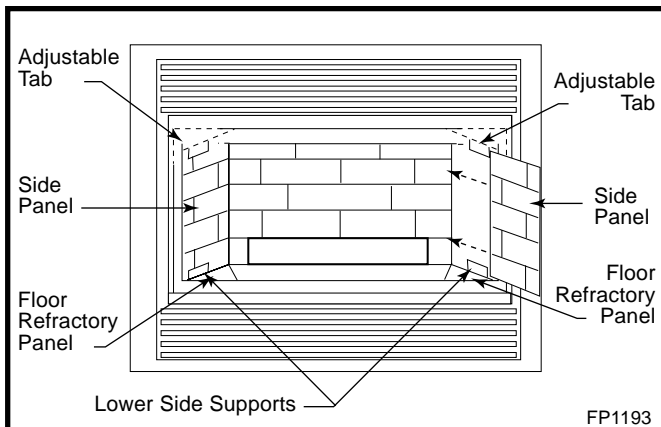


Fig. 45 Ceramic refractory installation.

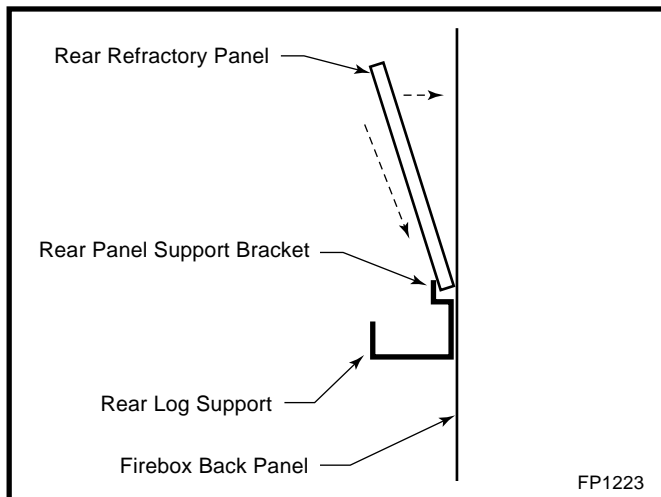


Fig. 46 Install rear refractory panel.

Decorative Bay Windows

A bay window kit is available for the H33BDVRRN/P.



When fitting the Bay Window Kit the original window frame assembly must remain in place. The Bay Window kit is fitted over the existing front glass.

Installation

1. Remove the upper and lower brass window trims.
2. Remove the existing bottom louvre assembly complete with the hinges.
3. Remove the top louvre assembly.
4. Assemble the Bay Window Kit according to the instructions supplied with the kit.
5. Place the 2 pieces of ceramic refractory along the base of the bay window. (Fig. 47)
6. Hang the Bay Window Assembly over the existing window frame assembly.
7. Reinstall the upper louvre assembly.



Do not remove the existing window frame assembly.

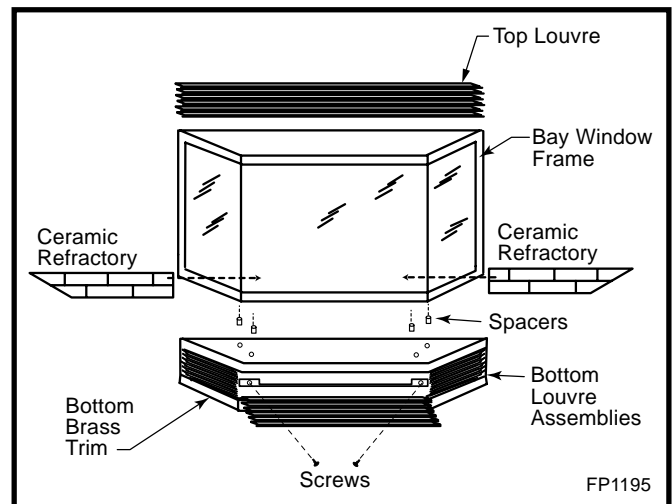


Fig. 47 Bay window installation.

Bay Window Screen

A Bay Window Screen Kit is available for the H33BDVRRN/P.



Do not remove existing window frame assembly! Remove all plastic from brass trims.

1. Let the fireplace cool down if it has been operating.
2. Remove existing top louvre from fireplace by lifting up and pulling out.
3. Hang Bay Window Screen assembly over top of the existing glass frame.

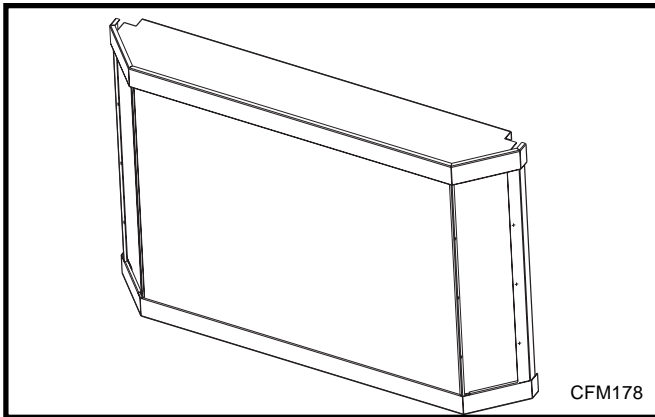


Fig. 48 Bay window screen assembly.

Remote Controls

Optional remote control units are available to control different functions of the appliances.

Model	Function(s) Controlled
RM4	ON/OFF w/batteries

Trim Kit

An optional polished brass Surround Trim Kit is available for the H33BDVR.

LIMITED WARRANTY & EXTENDED LIFE TIME PROTECTION

For Pyromaster® Gas Appliance Products*

BASIC WARRANTY:

CFM Harris Systems (hereinafter referred to collectively as the "Company") warrants that your new Pyromaster Gas Appliance is free from manufacturing and material defects for a period of one year from date of installation, subject to the following conditions and limitations.

EXTENDED LIFE TIME WARRANTY:

The heat exchanger, combustion chamber and ceramic burner parts of every *CFM Harris Systems product are warranted for life to the original owner, subject to proof of purchase and the following conditions and limitations:

1. This new **Pyromaster** product must be installed by a competent, authorized service contractor. It must be installed and operated at all times in accordance with the Installation and Operating instructions furnished with the product. Any alteration, willful abuse, accident, or misuse of the product shall nullify this warranty.
2. This warranty is non-transferrable, and is made to the original owner, provided that the purchase was made through an authorized supplier of the Company.
3. This warranty is limited to the repair or replacement of part(s) found to be defective in material or workmanship, provided that such part(s) have been subjected to normal conditions of use and service, after said defect is confirmed by the Company's inspection.
4. The Company may, at its discretion, fully discharge all obligations with respect to this warranty by refunding the wholesale price of the defective part(s).
5. Any installation, labour, construction, transportation, or other related costs/expenses arising from defective part(s), repair, replacement, or otherwise of same, will not be covered by this warranty, nor shall the Company assume responsibility for same. Further, the Company will not be responsible for any incidental, indirect, or consequential damages, except as provided by law.
6. All other warranties - expressed or implied - with respect to the product, its components and accessories, or any obligations/liabilities on the part of the Company are hereby expressly excluded.
7. The Company neither assumes, nor authorizes any third party to assume, on its behalf, any other liabilities with respect to the sale of this **Pyromaster** product.
8. The warranties as outlined within this document do not apply to chimney components or other non **Pyromaster** accessories used in conjunction with the installation of this product.
9. **The Company will not be responsible for . . .**
 - a) Down drafts or spillage caused by environmental conditions such as near-by trees, buildings, roof tops, hills, or mountains.
 - b) Inadequate ventilation or negative air pressure caused by mechanical systems such as furnaces, fans, clothes dryers, etc.
10. **This warranty is void if:**
 - a) The fireplace has been operated in atmospheres contaminated by chlorine, fluorine or other damaging chemicals.
 - b) The fireplace is subjected to prolonged periods of dampness or condensation.
 - c) Any damage to the fireplace, combustion chamber, heat exchanger or other components due to water, or weather damage which is the result of, but not limited to, improper chimney/venting installation.
 - d) Any alteration, willful abuse, accident, or misuse of the product.

GLASS DOORS & BRASS PLATED PARTS

Glass doors are not warranted for breakage due to misuse or accident. Brass parts should be cleaned with lemon oil **only**. Brass cleaners **cannot** be used. Mortar mix and masonry cleaners may corrode the brass finish. The Company will not be responsible for, nor will it warrant any brass parts which are damaged by external chemicals or down draft conditions.

IF WARRANTY SERVICE IS NEEDED . . .

- 1) Contact your supplier. Make sure you have your warranty, your sales receipt, and the model/serial number of your **Pyromaster** product.
- 2) **DO NOT ATTEMPT TO DO ANY SERVICE WORK YOURSELF.**

*CFM Harris Systems products bearing this special Warranty Seal of Approval carry a comprehensive Limited Lifetime Warranty. This includes the Ceramic Burners, Heat Exchange System and Combustion Chamber. All other parts are covered for one year.

GARANTIE DE BASE:

CFM Harris Systems (aux présentes nommée la "Société") garantit votre nouveau foyer au gaz Pyromaster contre tous défauts de fabrication et de matières premières pour une période d'un an à compter de la date d'installation, sujet aux conditions et limitations suivantes.

GARANTIE A VIE PROLONGEE:

Les pièces de l'échangeur de chaleur, de la chambre à combustion et du brûleur en céramique de tout produit *CFM Harris Systems sont garanties pour la vie de l'acheteur d'origine, le tout sujet à une preuve d'achat et aux conditions et limitations suivantes:

1. Ce nouveau produit **Pyromaster** doit être installé par un entrepreneur de service autorisé et compétent. Il doit être installé et utilisé en tout temps selon les instructions d'installation et de fonctionnement fournies avec le produit. Toute altération, abus volontaire, accident ou mauvais usage du produit annulera cette garantie.
2. Cette garantie n'est pas transférable et est offerte à l'acheteur au détail d'origine, à condition que l'achat soit effectué par l'entremise d'un détaillant autorisé de la Société.
3. Cette garantie est limitée à la réparation ou au remplacement de(des) pièce(s) trouvée(s) défectueuse(s) en matières premières ou main-d'oeuvre, à condition que lesdites pièces aient été sujettes aux conditions normales d'usage et de service, après que ledit défaut a été confirmé par une inspection par la Société.
4. La Société peut, à sa discrétion, se décharger entièrement de toutes obligations se rapportant à cette garantie en remboursant le prix de gros de la(des) pièce(s) défectueuse(s).
5. Tous les frais/dépenses d'installation, de main-d'oeuvre, de construction, de transport ou autres causés par une (des) pièce(s) défectueuse(s), une réparation, un remplacement ou autre, ne seront pas couverts sous cette garantie, et la Société n'assume aucune responsabilité pour ceux-ci. De plus, la Société ne pourra être tenue responsable pour tous dommages fortuits ou indirects sauf la ou prévu par la loi.
6. Toutes autres garanties, exprimées ou sous-entendues, en ce qui a trait au produit, ses composants et accessoires, ou toutes obligations/responsabilités de la part de la Société sont aux présentes expressément exclues.
7. La Société n'assume et n'autorise personne à assumer, en son nom, toutes responsabilités en ce qui a trait à la vente de ce produit **Pyromaster**.
8. Les garanties, telles que décrites dans ce document, ne s'appliquent pas aux composants de cheminée ou aux autres accessoires non **Pyromaster** utilisés conjointement pour l'installation de ce produit.
9. **La Société n'encourra aucune responsabilité pour . . .**
 - a) Les refoulements de cheminées ou débordements causés par les conditions environnementales comme par les arbres, les édifices, les toits, les côtes ou les montagnes adjacentes.
 - b) Une ventilation inadéquate ou une pression d'air négative causée par des systèmes mécaniques comme les fournaies, les ventilateurs, les sècheuses, etc.
10. **Cette garantie est nulle si:**
 - a) Le foyer a été utilisé dans une atmosphère contaminée par du chlore, du fluor ou tous autres produits chimiques.
 - b) Le foyer est assujéti à de longues périodes d'humidité ou de condensation.
 - c) Des dommages sont causés au foyer, à la chambre de combustion, à l'échangeur de chaleur ou aux autres composants par de l'eau ou par la température qui est le résultat mais sans y être limité, d'une mauvaise installation de cheminée/ventilation.
 - d) Toute altération, abus volontaire, accident ou mauvais usage du produit annulera cette garantie.

PORTES EN VERRE & PIÈCES PLAQUEES LAITON

Les portes en verre ne sont pas garanties contre le bris causé par un mauvais usage ou un accident.

Les pièces en laiton devraient être nettoyées qu'avec de l'essence de citron. Les nettoyeurs de laiton ne peuvent pas être utilisés. La Société ne sera pas responsable pour, et ne garantit pas les pièces en laiton qui sont endommagées par des conditions chimiques externes ou de refoulement.

SI UN SERVICE SOUS GARANTIE EST REQUIS . . .

1. Communiquez avec votre détaillant. Assurez-vous que vous avez votre garantie, votre reçu de caisse ainsi que le numéro de modèle/série de votre produit **Pyromaster**.
2. **NE TENTEZ PAS D'EFFECTUER DES REPARATIONS VOUS-MEME.**

*Les foyers à gaz CFM Harris Systems portant ce sceau d'approbation de la garantie spéciale sont couverts par une garantie limitée à vie. Celle-ci inclue les brûleurs en céramique Insta-Flame, l'échangeur de chaleur et la chambre à combustion. Toutes les autres pièces sont couvertes pour un an.

CFM Harris Systems

3501 West Howard • Skokie, IL 60076 • 847-676-3556
www.cfmharris.com

Free Manuals Download Website

<http://myh66.com>

<http://usermanuals.us>

<http://www.somanuals.com>

<http://www.4manuals.cc>

<http://www.manual-lib.com>

<http://www.404manual.com>

<http://www.luxmanual.com>

<http://aubethermostatmanual.com>

Golf course search by state

<http://golfingnear.com>

Email search by domain

<http://emailbydomain.com>

Auto manuals search

<http://auto.somanuals.com>

TV manuals search

<http://tv.somanuals.com>