

**INSTALLER/CONSUMER
SAFETY INFORMATION**

**PLEASE READ THIS MANUAL
BEFORE INSTALLING AND
USING APPLIANCE.**

WARNING!
**IF THE INFORMATION IN THIS
MANUAL IS NOT FOLLOWED
EXACTLY, AN ELECTRICAL
SHOCK OR FIRE MAY RESULT
CAUSING PROPERTY DAMAGE,
PERSONAL INJURY OR LOSS
OF LIFE.**

FOR YOUR SAFETY

**Service must be performed by
a qualified service agency.**

**DO NOT STORE OR USE
GASOLINE OR OTHER
FLAMMABLE VAPORS AND
LIQUIDS IN THE VICINITY OF
THIS OR ANY OTHER
APPLIANCE.**



C US



**Electric
Fireplace
Model: DEF/DEFD26**



DEF26_photo

**Homeowner's Installation &
Operating Manual**

Vermont Castings, Majestic Products

410 Admiral Blvd. • Mississauga • Ontario, Canada L5T 2N6 • Ph: 905-670-7777
www.majesticproducts.com • www.vermontcastings.com

INSTALLER: DO NOT DISCARD THIS MANUAL - LEAVE FOR HOMEOWNER

10005581 07/03 Rev.0

Table of Contents

Thank you, and Congratulations on your purchase of a Vermont Castings, Majestic Products Fireplace.

Please read the Installation & Operating Instructions before using this appliance.

IMPORTANT: Read all instructions and warnings carefully prior to commencing installation. Failure to follow these instructions may result in a possible electric shock, fire hazard and/or injury and will void the warranty.

Installation Instructions

General	3
Locating your Electric Fireplace	3
Clearance to Combustibles	3
Hearth	3
Electrical Specifications	3
Optional Cabinet Dimensions	4
Optional Cabinet Installation	4
Fireplace Dimensions	5
Screen Information	6
Electrical Connection	6

Service Instructions

Removal of Logs	6
Cleaning Trim	6
Replacing the Light Bulbs	7
Maintenance of Motors	7
Trim Kit Installation	7
Electrical Wiring Diagram with Integral Remote Control	8
Electrical Wiring Diagram without Integral Remote Control	8

Operating Instructions

1. Main ON/OFF Switch	9
2. Heater Control	9
3. Flame Speed Control	9
4. Re-learn	9
5. ON/OFF	9

Replacement Parts List

Replacement Parts List	10
------------------------------	----

Warranty	11
----------------	----

Installation Instructions

General

1. Read all instructions before using this appliance.
2. This appliance is hot when in use. To avoid burns, do not let bare skin touch hot surfaces. If provided, use handles when moving this appliance. Keep combustible materials, such as furniture, pillows, bedding, papers, clothes and curtains at least 3' (1 m) from the front of this appliance.



CAUTION: Extreme caution is necessary when any heater is used by or near children or invalids and whenever the heater is left operating and unattended.

3. If possible, always unplug this appliance when not in use.
4. Do not operate any heater with a damaged cord or plug or after the appliance malfunctions, or if it has been dropped or damaged in any manner.
5. Any repairs to this fireplace should be carried out by a qualified service person.
6. Under no circumstances should this fireplace be modified. Parts having to be removed for servicing must be replaced prior to operating this fireplace again.
7. Do not use outdoors.
8. This heater is not intended for use in bathrooms, laundry areas and similar indoor locations. Never locate this appliance where it may fall into a bathtub or other water container.
9. Do not run cord under carpeting. Do not cover cord with throw rugs, runners or the like. Arrange cord away from traffic areas and where it will not be tripped over.
10. To disconnect this appliance, turn controls to the **OFF** position, then remove plug from outlet.
11. Connect to properly grounded outlets only.
12. This appliance, when installed must be electrically grounded in accordance with local codes or, in the absence of local codes, with the current CSA C22.1 Canadian Electrical Code or for U.S.A. installations follow local codes and the National Electrical Code, ANSI/NFPA NO. 70.
13. Do not insert or allow foreign objects to enter any ventilation or exhaust opening as this may cause an electric shock or fire, or damage the appliance.
14. To prevent a possible fire, do not block air intakes or exhaust in any manner. Do not use on soft surfaces, like a bed, where openings may become blocked.
15. This appliance has hot and arcing or sparking parts inside. Do not use it in areas where gasoline, paint or flammable liquids are used or stored. This

fireplace should not be used as a drying rack for clothing, nor should Christmas stockings or decorations be hung in the area of it.

16. Use this appliance only as described in this manual. Any other use not recommended by the manufacturer may cause fire, electric shock or injury to persons.
17. Avoid the use of an extension cord because the extension cord may overheat and cause a risk of fire. However, if you have to use an extension cord, the cord shall be No. 14 AWG minimum size and rated not less than 1875 Watts. The extension cord must be a 3-wire cord with grounding-type plug and cord connection. The extension cord shall not be more than 20' (6.1 m) in length.
18. **SAVE THESE INSTRUCTIONS.**

Locating Your Electric Fireplace

Your new fireplace may be installed with an approved Vissan cabinet.

When choosing a location for your new fireplace, ensure that the general instructions are followed. For best effect, install the fireplace out of direct sunlight.

Clearance to Combustibles

Sides	0"	(0 mm)
Floor	0"	(0 mm)
Top	0"	(0 mm)

Hearth

A hearth is not mandatory; however, it is recommended for aesthetic purposes. Installation of a noncombustible hearth that will not obstruct the louvre opening is recommended.

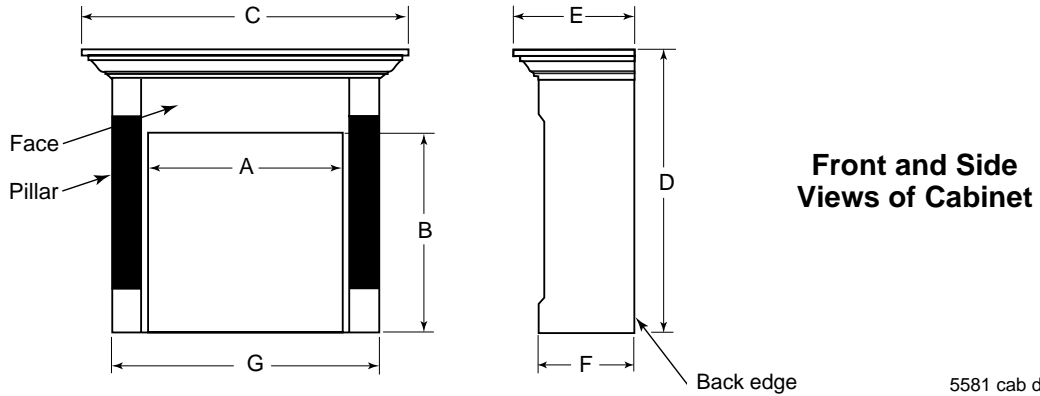


Cold climate installation recommendation: When installing this unit against a non-insulated exterior wall or chase, it is mandatory the outer walls be insulated to conform to applicable insulation codes.

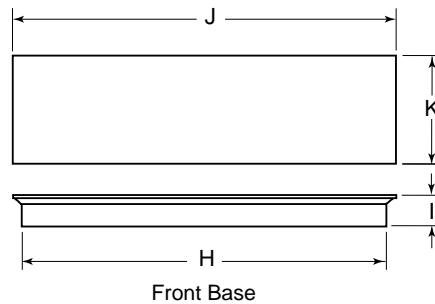
Electrical Specifications

Voltage:	120VAC, 60Hz
Total Amps:	12.2 Amps
Total Watts:	1460 Watts
Heater Rating:	1300 Watts

Optional Cabinet Dimensions



5581 cab dims



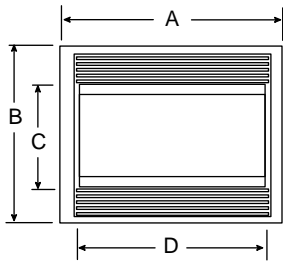
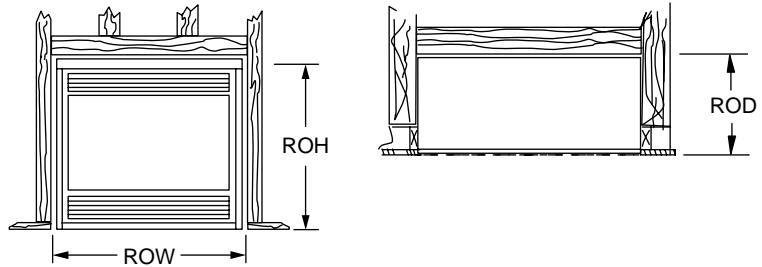
5581 base dims

Reference	All Models
A	26 5/8" (676 mm)
B	26 1/2" (673 mm)
C	43 7/8" (1114 mm)
D	36 1/2" (927 mm)
E	13" (330 mm)
F	10 3/8" (264 mm)
G	38 1/2" (978 mm)
H	44 1/4" (1124 mm)
I	3" (76 mm)
J	45 1/4" (1149 mm)
K	15 1/2" (394 mm)

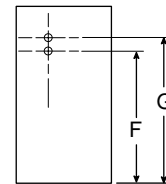
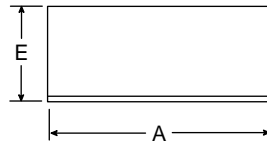
Optional Cabinet Installation

1. Refer to the installation instructions on Page 3 in this owner's manual for electrical hookup and SAFETY RULES.
2. Place the cabinet base into position, back edges of the cabinet base flush against the wall.
3. Place the fireplace onto the base, centered side-to-side, back edge of fireplace approximately 1" (25 mm) out from the wall.
4. Place the cabinet assembly over the fireplace. The opening in cabinet fits over fireplace, back edges of the cabinet flush against the wall. Place the front of the fireplace up flush against the front face of the cabinet between the two (2) pillars.

Fireplace Dimensions



Framing & Finishing



5581 HEF26 specs

Reference	All Models
A	26 1/8" (664 mm)
B	25 7/8" (657 mm)
C	17 1/2" (445 mm)
D	24 1/4" (615 mm)
E	10" (254 mm)
F	20 1/8" (511 mm)
G	21 1/4" (540 mm)
Rough Opening Depth (ROD)	10 1/2" (267 mm)
Rough Opening Width (ROW)	26 5/8" (676 mm)
Rough Opening Height (ROH)	26 3/8" (670 mm)

Screen Information

1. Under no circumstances is this product to be operated if the screen door(s) are missing.
2. Do not strike or slam the screen doors.
3. This product uses screen doors. Replacement screen doors are available from the manufacturer. Replacement must be carried out by a qualified service person.

Electrical Connection

A 15 AMP, 120 Volt, 60 Hz circuit with a properly grounded outlet is required. Preferably, the fireplace will be on a dedicated circuit as other appliances on the same circuit may cause the circuit breaker to trip or the fuse to blow when the heater is in operation.

The unit comes standard with a 6' (1828 mm) long 3-wire cord, exiting from the side of the fireplace. Plan the installation to avoid the use of an extension cord. If an extension cord must be used, it must be a minimum 14 AWG, 3-wire cord with grounding-type plug connector, and rated not less than 1875 Watts. The cord shall not be more than 20' (6.1 m) in length.



WARNING: Electrical outlet wiring must comply with local building codes and other applicable regulations to reduce the risk of fire, electrical shock and injury to persons.



WARNING: Do not use this fireplace if any part of it has been under water. Immediately contact a qualified service technician to inspect the fireplace and replace any part of the electrical system.



WARNING: This fireplace comes with a manual circuit breaker reset near the power cord supply. In case the fireplace is not operating check the circuit breaker and reset the button at the breaker. If the fireplace remains inoperable, immediately contact a qualified service technician to perform an inspection.

Service Instructions

Removal of Logs

1. Turn **OFF** power to the unit by unplugging the power cord.
2. Let fireplace cool if it has been operating.
3. Gently open both screen doors.
4. Remove the two (2) screws securing the ember bed and logset in position. One (1) screw is located on either side of the ember bed near the center.



LG237_DEF26_logs

Fig. 1 Electric logset

Cleaning Trim

Clean the metal trim using a soft cloth, slightly dampened with lemon oil, then buff with a clean soft cloth. DO NOT use brass polish or household cleaners, as these products will damage the metal trim. Lemon oil may be obtained at supermarkets and hardware stores.



WARNING: Disconnect power before attempting any maintenance or cleaning to reduce the risk of fire, electrical shock or personal injury.

Replacing the Light Bulbs

This fireplace uses two (2) clear 120 Volt, 60 Watt, E-12 socket base light bulbs (small base, chandelier candle type). The 60 Watt bulbs are located under the logset/ember bed. For convenience, if one (1) of the bulbs burns out, it will be prudent to replace both of the light bulbs.

1. Turn **OFF** power to the unit by unplugging the power cord.
2. Let fireplace cool if it has been operating.
3. Remove the four (4) screws securing the bottom louvre. Pull the louvre up and lift it out.
4. Examine the bulbs to determine which bulb needs to be replaced.
5. While holding the socket, unscrew defective bulb(s).
6. Install the new light bulb(s) by screwing it in while holding the socket.
7. Reinstall the bottom louvre. Follow the above procedure in reverse order.



WARNING: Do not exceed 60 Watts per bulb. Use of higher-rated bulbs may result in a fire, causing property damage or personal injury.

Maintenance of Motors

The motors used on the fan and the flame generator assembly are prelubricated for extended bearing life and require no further lubrication. However, periodic cleaning/vacuuming of the fan/heater unit is recommended.



WARNING: Make sure the power is turned OFF before proceeding.

Trim Kit Installation

1. Peel all plastic from the Trim Kit Assembly.
2. Press the Trim Kit Assembly onto the front of the fireplace. To facilitate the installation process, these pieces are magnetized. Align the top of the Trim Kit Assembly with the top of the fireplace.

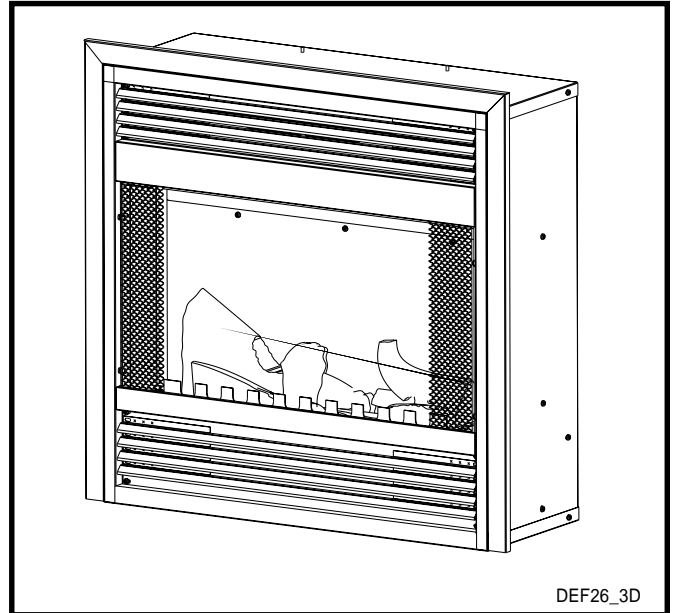


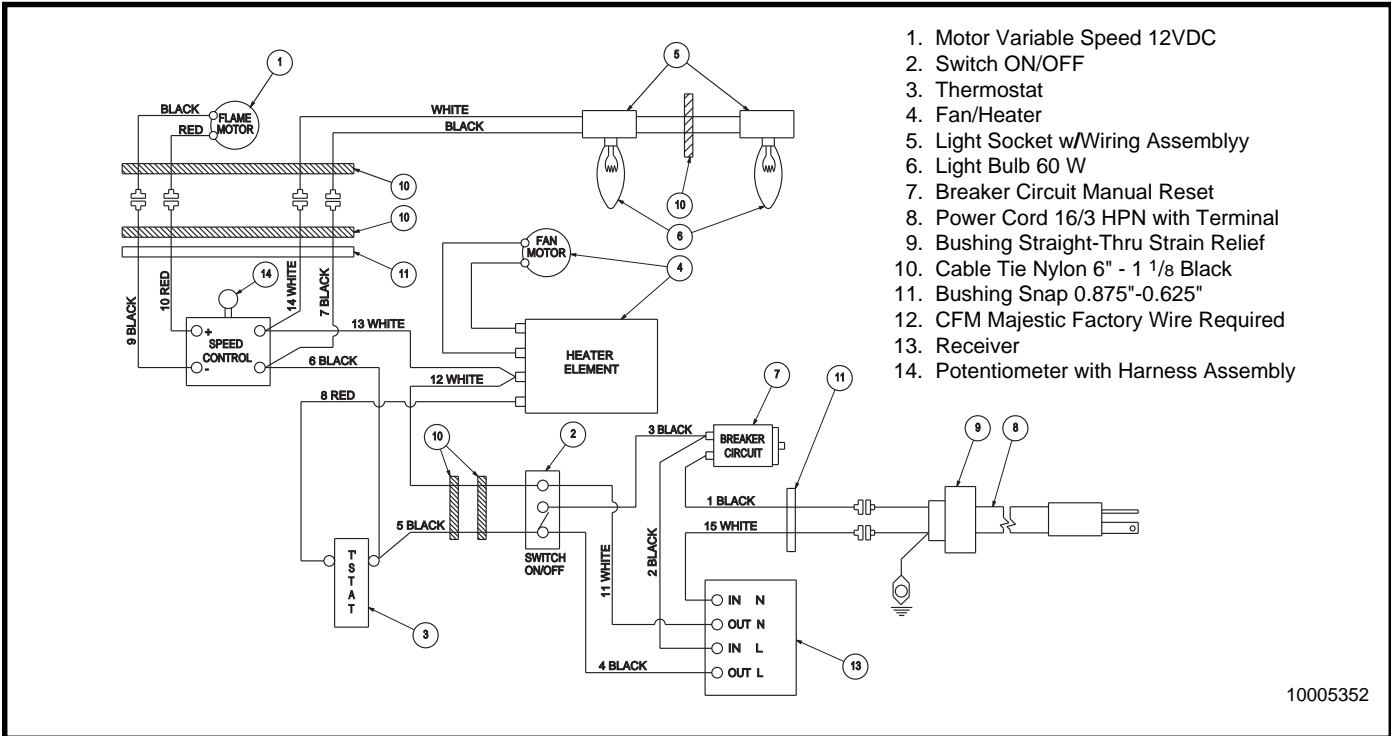
Fig. 2 Trim kit installation

Electrical Wiring Diagram with Integral Remote Control

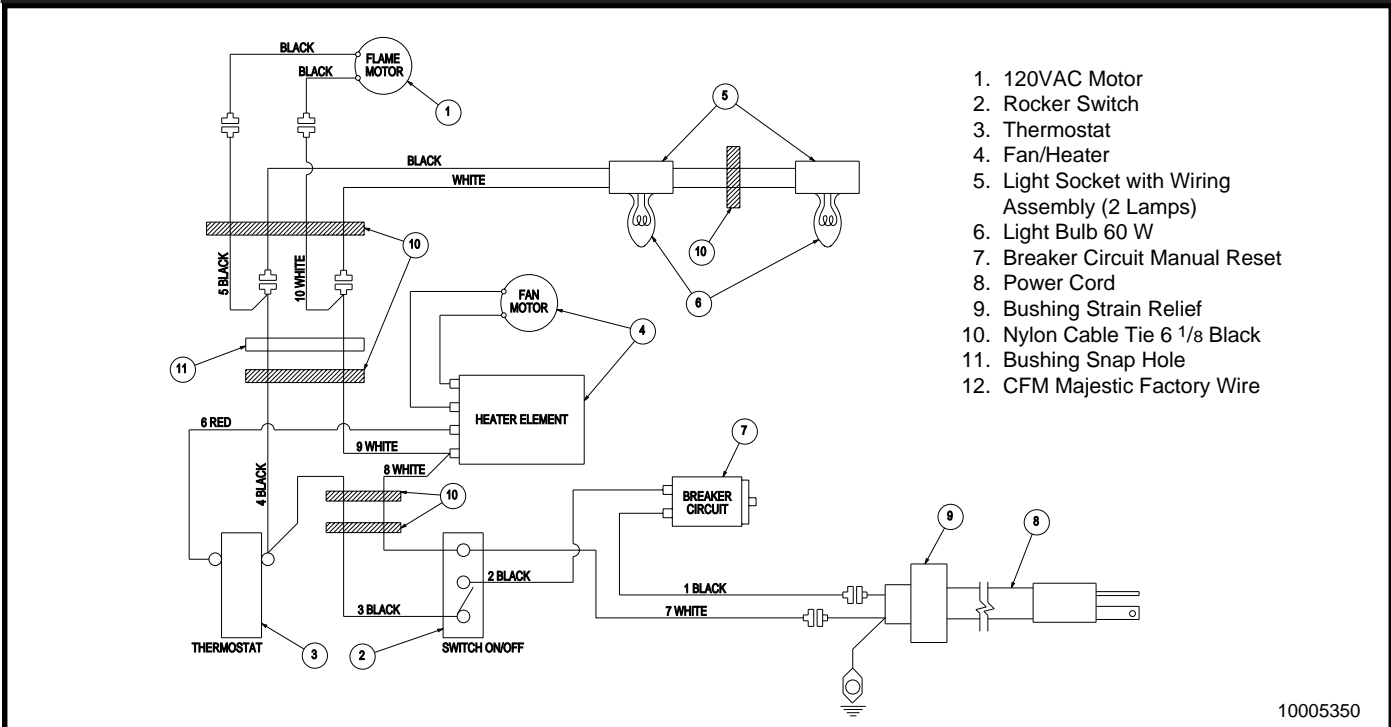
Any electrical repairs or rewiring of this unit should be carried out by a licensed electrician in accordance with national and local codes.



If repairing or replacing any electrical component or wiring, the original wire routing, color coding and securing locations must be followed.



Electrical Wiring Diagram without Integral Remote Control



Operating Instructions

NOTE: The control compartment is located behind the upper louvre panel. To access controls, flip the upper louvre panel down.

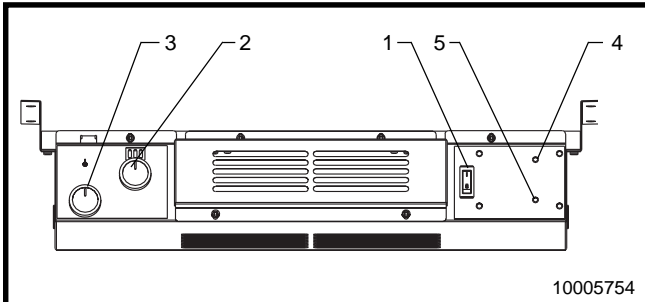


Fig. 3 Control locations behind upper louvre panel.

1. Main ON/OFF Switch

The **ON/OFF** switch supplies power to all functions of the fireplace. This is an illuminated switch which normally lights up when in the **ON** or **OFF** position.

2. Heater Control

The Heater Control acts to turn the heater **ON** and **OFF** as well as setting the comfort level in the room. Turning the knob clockwise from the **OFF** position will place the heater into operation. The further the knob is rotated clockwise, the higher the setpoint temperature. Turning the knob counterclockwise will lower the setpoint temperature. Turning it all the way counterclockwise will turn the heater function **OFF**.



WARNING: During any service of this appliance, the power to the unit must be turned **OFF**. It is not acceptable to use the **ON/OFF** switch to meet this requirement.

3. Flame Speed Control

Turn the flame speed control knob to increase or decrease the flame speed as desired.

4. Re-learn

This model fireplace with integral remote control has a preprogrammed, matched-pair Receiver/Transmitter already set with randomly-selected house codes. It is highly unlikely that the fireplace code will ever need to be re-learned. If the fireplace needs to re-learn Receiver/Transmitter house codes, perform the following steps:

1. Be sure there is power to the fireplace.
2. Be sure there is a good battery in the Transmitter (hand-held remote).
3. Open the battery compartment of the remote.
4. Press and release the small button located in the top left corner. This will randomly select a new house code in the remote Transmitter.
5. Close the remote Transmitter battery compartment.
6. Press either the **ON** or **OFF** button on the remote Transmitter, and the Learn button on the fireplace at the same time. The fireplace is now ready to accept commands from the remote Transmitter.

5. ON/OFF

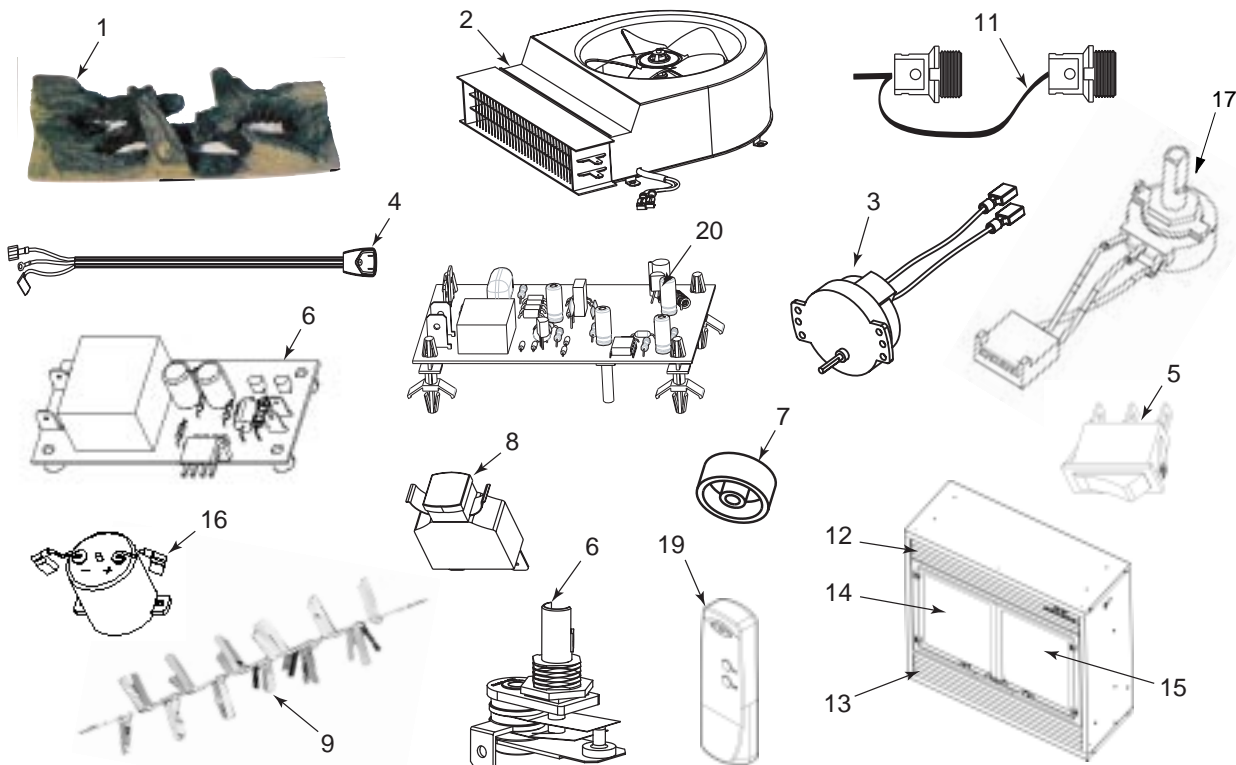
The **ON/OFF** button on the fireplace (below the Learn button) is to turn the fireplace **ON** and **OFF** when the battery in remote Transmitter is weak, or to manually operate the fireplace without the remote Transmitter.

NOTE: The device complies with Part 15 of the FCC Rules. Operation is subject to the following two conditions:

1. This device may not cause harmful interference, and
2. This device must accept any interference received, including interference that may cause undesired operation.

Replacement Parts List

Item #	Part Description	DEF26	DEFD26
1	Log Set Complete	10004588	10004588
2	Fan/Heater	10004198	10004198
3	Flame Generator Motor, 120 Volt AC w/Terminal	10004262	—
4	Cord Power 16/3 HPN w/Terminals	10003095	10003095
5	ON/OFF Switch	10001393	10001393
6	Heater Control (Thermostat)	10004199	10004199
7	Heater Control Knob	10001639	10001639
8	Breaker Circuit Manual Reset	10003093	10003093
9	Flame Generator Assembly	10003350	10003350
10	Screen Light Tinted (not shown)	10005345	10005345
11	Light Bulb Socket w/Wiring Assembly	10003568	10003568
12	Top Louvre Assembly	10005135	10005135
13	Bottom Louvre Assembly	10005153	10005153
14	Frame Door Screen Left Assembly	10005330	10005330
15	Frame Door Screen Right Assembly	10005329	10005329
16	Motor 12 VDC Flame Generator	—	10001978
17	Potentiometer w/Harness Assembly	—	10001168
18	Circuit Board Flame Speed Control	—	10001589
19	Transmitter	—	10005140
20	Receiver	—	10005141
21	CFM-Majestic Wire (not shown)	10005347	10005758



5581_DEF26_parts

Vermont Castings, Majestic Products reserves the right to make changes in design, materials, specifications, prices and discontinue colors and products at any time, without notice.

1 YEAR WARRANTY

For Vermont Castings, Majestic Products Electric Fireplace Models

BASIC WARRANTY:

Vermont Castings, Majestic Products (hereinafter referred to collectively as the "Company") warrants that your new Vermont Castings, Majestic Products fireplace is free from manufacturing and material defects for a period of one (1) year from date of installation, subject to the following conditions and limitations:

1. This electric fireplace **must be installed and operated** at all times in accordance with the Installation and Operating instructions furnished with the product. **Any alteration, willful abuse, accident, or misuse of the product shall nullify this warranty.**
2. This warranty is nontransferable, and is made to the original owner, provided that the purchase was made through an authorized supplier of the Company.
3. This warranty is limited to the repair or replacement of part(s) found to be defective in material or workmanship, provided that such part(s) have been subjected to normal conditions of use and service, after said defect is confirmed by the Company's inspection.
4. **This warranty does not cover the lightbulb(s) included with the Vermont Castings, Majestic Products electric fireplace.**
5. The Company may, at its discretion, fully discharge all obligations with respect to this warranty by refunding the wholesale price of the defective part(s).
6. Any installation, labour, construction, transportation, or other related costs/expenses arising from defective part(s), repair, replacement, or otherwise of same, will not be covered by this warranty, nor shall the Company assume responsibility for same. Further, the Company will not be responsible for any incidental, indirect, or consequential damages, except as provided by law.
7. All other warranties - expressed or implied - with respect to the product, its components and accessories, or any obligations/liabilities on the part of the Company are hereby expressly excluded.
8. The Company neither assumes, nor authorizes any third party to assume, on its behalf, any other liabilities with respect to the sale of this electric fireplace.
9. The warranties as outlined within this document do not apply to non-Vermont Castings, Majestic Products accessories used in conjunction with the installation of this product.

This warranty is void if:

- a) The fireplace has been operated in atmospheres contaminated by chlorine, fluorine or other damaging chemicals.
- b) The fireplace is subjected to prolonged periods of dampness or condensation.
- c) Any alteration, willful abuse, accident, or misuse of the product.

GLASS DOORS & BRASS PLATED PARTS . . .

Glass doors are not warranted for breakage due to misuse or accident.

Brass parts should be cleaned with lemon oil only. Brass cleaners cannot be used. Mortar mix and masonry cleaners may corrode the brass finish. The Company will not be responsible for, nor will it warrant any brass parts which are damaged by external chemicals.

IF WARRANTY SERVICE IS NEEDED . . .

- 1) Contact your supplier. Make sure you have your warranty, your sales receipt, and the model/serial number of your Vermont Castings, Majestic Products appliance.
- 2) **DO NOT ATTEMPT TO DO ANY SERVICE WORK YOURSELF.**

GARANTIE DE BASE:

Vermont Castings, Majestic Products (aux présentes nommée la "Société") garantit votre nouveau foyer électrique Vermont Castings, Majestic Products contre tous défauts de fabrication et de matières premières pour une période d'un an à compter de la date d'installation, sujet aux conditions et limitations suivantes.

1. Le foyer électrique doit être installé par un entrepreneur de service autorisé et compétent. Il doit être installé et utilisé en tout temps selon les instructions d'installation et de fonctionnement fournies avec le produit. **Toute altération, abus volontaire, accident ou mauvais usage du produit annulera cette garantie.**
2. Cette garantie n'est pas transférable et est offerte à l'acheteur au détail d'origine, à condition que l'achat soit effectué par l'entrepreneur d'un détaillant autorisé de la Société.
3. Cette garantie est limitée à la réparation ou au remplacement de(des) pièce(s) trouvée(s) défectueuse(s) en matières premières ou main-d'oeuvre, à condition que lesdites pièces aient été sujettes aux conditions normales d'usage et de service, après que ledit défaut a été confirmé par une inspection par la Société.
4. **Cette Garantie ne couvre pas les ampoules inclus dans le foyer électrique Vermont Castings, Majestic Products.**
5. La Société peut, à sa discrétion, se décharger entièrement de toutes obligations se rapportant à cette garantie en remboursant le prix de gros de la(des) pièce(s) défectueuse(s).
6. Tous les frais/dépenses d'installation, de main-d'oeuvre, de construction, de transport ou autres causés par une (des) pièce(s) défectueuse(s), une réparation, un remplacement ou autre, ne seront pas couverts sous cette garantie, et la Société n'assume aucune responsabilité pour ceux-ci. De plus, la Société ne pourra être tenue responsable pour tous dommages fortuits ou indirects sauf la ou prévu par la loi.
7. Toutes autres garanties, exprimées ou sous-entendues, en ce qui a trait au produit, ses composants et accessoires, ou toutes obligations/responsabilités de la part de la Société sont aux présentes expressément exclues.
8. La Société ni n'assume, ni autorise aucun tiers assumer, en son nom, des autres dettes en ce qui concerne la vente de cette cheminée électrique.
9. Les garanties, telles que décrites dans ce document, ne s'appliquent accessoires non Vermont Castings, Majestic Products utilisés conjointement pour l'installation de ce produit.
10. **Cette garantie est nulle si:**
 - a) Le foyer a été utilisé dans une atmosphère contaminée par du chlore, du fluor ou tous autres produits chimiques.
 - b) Le foyer est assujéti à de longues périodes d'humidité ou de condensation.
 - c) Toute altération, abus volontaire, accident ou mauvais usage du produit annulera cette garantie.

PORTES EN VERRE & PIÈCES PLAQUÉES LAITON . . .

Les portes en verre ne sont pas garanties contre le bris causé par un mauvais usage ou un accident.

Les pièces en laiton devraient être nettoyées qu'avec de l'essence de citron. Les nettoyeurs de laiton ne peuvent pas être utilisés. La Société ne sera pas responsable pour, et ne garantit pas les pièces en laiton qui sont endommagées par de refoulement.

SI UN SERVICE SOUS GARANTIE EST REQUIS . . .

- 1) Communiquez avec votre détaillant. Assurez-vous que vous avez votre garantie, votre reçu de caisse ainsi que le numéro de modèle/série de votre produit Vermont Castings, Majestic Products.
- 2) **NE TENTEZ PAS D'EFFECTUER DES RÉPARATIONS VOUS-MÊME.**

Vermont Castings, Majestic Products

410 Admiral Blvd. • Mississauga • Ontario, Canada L5T 2N6 • Ph: 905-670-7777
www.majesticproducts.com • www.vermontcastings.com

Free Manuals Download Website

<http://myh66.com>

<http://usermanuals.us>

<http://www.somanuals.com>

<http://www.4manuals.cc>

<http://www.manual-lib.com>

<http://www.404manual.com>

<http://www.luxmanual.com>

<http://aubethermostatmanual.com>

Golf course search by state

<http://golfingnear.com>

Email search by domain

<http://emailbydomain.com>

Auto manuals search

<http://auto.somanuals.com>

TV manuals search

<http://tv.somanuals.com>