

**Builder
Rear Vent
Direct Vent
Models
DBR33
DBR36
DBR39**

Installation Instructions & Homeowner's Manual

WARNING! IF THE INFORMATION IN THIS MANUAL IS NOT FOLLOWED EXACTLY, A FIRE OR EXPLOSION MAY RESULT CAUSING PROPERTY DAMAGE, PERSONAL INJURY OR LOSS OF LIFE.

FOR YOUR SAFETY

WHAT TO DO IF YOU SMELL GAS:

- * Do not try to light any appliance.
- * Do not touch any electric switch; do not use any phone in your building.
- * Extinguish all flames.
- * Immediately call your gas supplier from your neighbours phone. Follow the gas suppliers instructions.
- * If you cannot reach your gas supplier call the fire department.

FOR YOUR SAFETY

DO NOT STORE
OR USE GASOLINE OR OTHER
FLAMMABLE VAPOURS AND LIQUIDS
IN THE VICINITY OF THIS OR ANY
OTHER APPLIANCE.

- * Installation and service must be performed by a qualified installer, service agency or your gas supplier.



INSTALLER: DO NOT DISCARD THIS MANUAL - LEAVE FOR HOMEOWNER

10002788
06/00 Rev. 0

TABLE OF CONTENTS

PLEASE READ THE INSTALLATION & OPERATING INSTRUCTIONS BEFORE USING APPLIANCE.
IMPORTANT: Read all instructions and warnings carefully before starting installation. Failure to follow these instructions may result in a possible fire hazard and will void the warranty.

Installation Instructions	3
Important Curing/Burn Information	3
Locating your Fireplace	3
Fireplace Dimensions	4
Mantels	5
Mantel Chart	5
Clearance to Combustibles	5
Framing & Finishing	5
Final Finishing	6
Hearth	6
Gas Specifications	6
Gas Line Installation	7
Remote Switch Installation	7
General Information on Assembling Vent Pipes	8
General Venting Information	9
Termination Clearances	10
Rear Venting Applications	10
Rear Wall Installations	11
Vertical Sidewall Applications	12
How To Use the Vertical Sidewall Vent Graph	13
General Information on Assembling Vent Pipes	13
Vertical Sidewall Installation	14
Below Grade Installations	16
Vertical Through the Roof Applications	16
Vertical Through the Roof Installations	17
Operating Instructions	18
General Glass Information	18
Louvre Removal	18
Glass Frame Removal	18
Glass Cleaning	18
Installation of Logs	19
Ember Material Placement	19
Lava Rock	19
Flame Adjustment	19
Flame Characteristics	20
Inspecting the Venting System	20
Maintenance	20
Cleaning the Standing Pilot Control System	20
Lighting and Operating Instructions	21
Troubleshooting Gas Control (820 Millivolt Gas Valve)	22
Troubleshooting Gas Control (822 Millivolt Honeywell Valve)	23
Replacement Parts List	24
Replacement Parts Pictorial	25
Optional Accessories Kits	26
Fan Kit -FK12 and FK24	26
Wiring Instructions	26
Electrical Box EB1	27
Bay Window Installation	27
Screen Kit Installation	28
Ceramic Refractory Lining	28
Remote Control	28
Crimped End Venting Components	29
Twist Lock Venting Components	30

INSTALLATION INSTRUCTIONS

This gas appliance should be installed by a qualified installer in accordance with local building codes and with current CAN / CGA-B149 (. 1 or .2) Installation codes for Gas Burning Appliances and Equipment. or for U.S.A Installations follow local codes and/ or the current National Fuel Gas Code. ANSI Z223.1.

FOR SAFE INSTALLATION AND OPERATION OF YOUR DIRECT VENT FIREPLACE PLEASE NOTE THE FOLLOWING:

1. This fireplace gives off high temperatures and should be located out of high traffic areas and away from furniture and draperies.
2. Children and adults should be alerted to the hazards of the high surface temperatures of this fireplace and should stay away to avoid burns or ignition of clothing.
3. **CAUTION: Due to high glass surface temperature children should be carefully supervised when they are in same room as your fireplace.**
4. Under no circumstances should this fireplace be modified. Parts having to be removed for servicing should be replaced prior to operating this fireplace again.
5. Installation and any repairs to this fireplace should be carried out by a qualified service person. A professional service person should be contacted to inspect this fireplace annually. **Make it a practice to have all of your gas fireplaces checked annually. More frequent cleaning may be required due to excess lint and dust from carpeting, bedding material, etc.**
6. Control compartments, burners and air passages in this fireplace should be kept clean and free of dust and lint. Make sure that the gas valve and pilot light are turned off before you attempt to clean this fireplace.
7. The venting system (chimney) of this fireplace should be checked at least once a year and if needed your venting system should be cleaned.
8. Keep the area around your fireplace clear of combustible materials, gasoline and other flammable vapour and liquids. This fireplace should not be used as a drying rack for clothing, nor should Christmas stockings or decorations be hung in the area of it.
9. Under no circumstances should any solid fuels (wood, coal, paper or cardboard etc.) be used in this fireplace.
10. The flow of combustion and ventilation air must not be obstructed in any way.
11. Whether the fireplace is installed directly on carpeting, vinyl tile or any combustible material other than wood, this fireplace must be installed on a metal or wood panel extending the full width and depth of the fireplace.
12. This fireplace requires adequate ventilation and combustion air to operate properly.

IMPORTANT:

PLEASE REVIEW THE FOLLOWING CAREFULLY

Remove any plastic from trim parts before turning the fireplace ON.

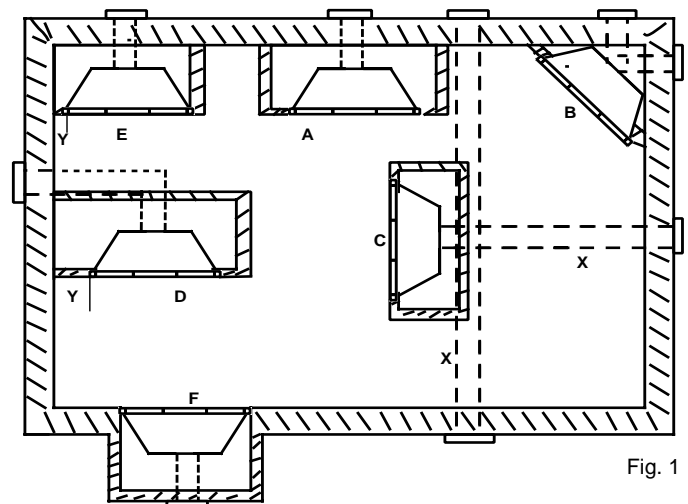
It is normal for fireplaces fabricated of steel to give off some expansion and/or contraction noises during the start up or cool down cycle. Similar noises are found with your furnace heat exchanger or car engine.

It is not unusual for your gas fireplace to give off some odour the first time it is burned. This is due to the curing of the paint and any undetected oil from the manufacturing process.

Please ensure that your room is well ventilated - open all windows.

It is recommended that you burn your fireplace for a least six (6) hours the first time you use it. If optional fan kit has been installed, place fan in the "OFF" position during this time.

LOCATING YOUR GAS FIREPLACE



- | | |
|-------------------------|-----------------------|
| A) Flat on wall | B) Cross corner |
| C) **Island | D) *Room divider |
| E) *Flat on wall corner | F) Chase installation |
| | Y) 6" minimum |

Note (Fig. 1):

** Island (C) and Room Divider (D) installation is possible as long as the horizontal portion of the vent system (X) does not exceed 20 feet (610cm). See details in Venting Section.

* When you install your Majestic fireplace in (D) Room divider or (E) Flat on wall corner positions (Y), a minimum of 6 inches (153mm) clearance must be maintained from the perpendicular wall and the front of the fireplace.

FIREPLACE DIMENSIONS

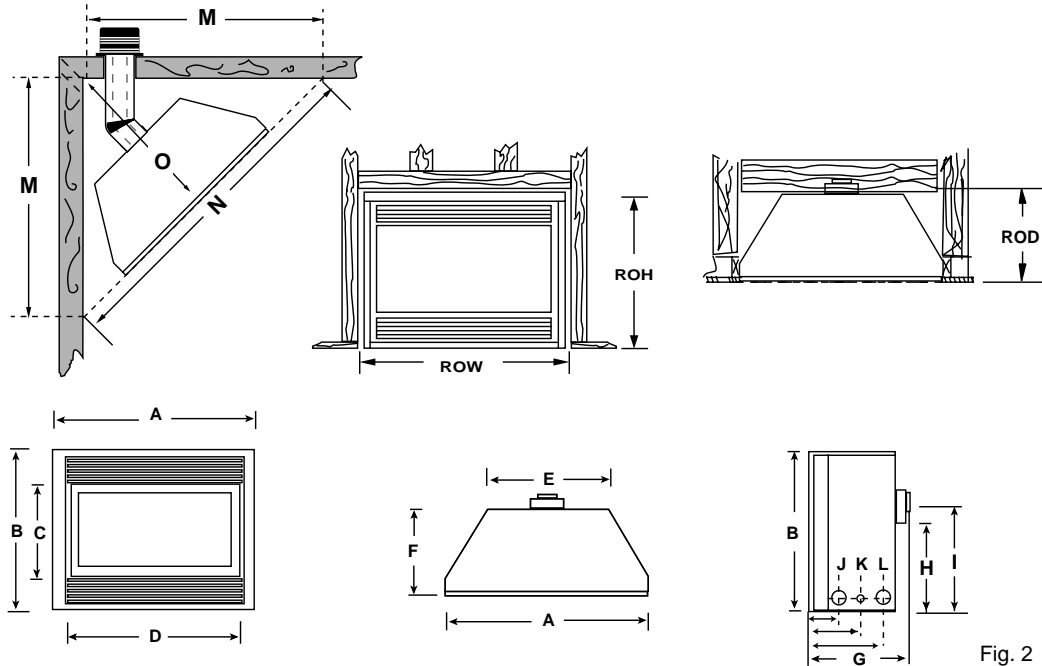


Fig. 2

FRAMING & FINISHING

DBR33

A	33"	838mm
B	28 7/8"	733mm
C	16 3/8"	416mm
D	31"	787mm
E	22 1/16"	560mm
F	11 1/2"	292mm
G	14 3/4"	375mm
H	20 1/4"	515mm
I	24 1/2"	622mm
J	5"	127mm
K	7 1/2"	191mm
L	8 1/2"	216mm
M	36"	914mm
N	51"	1295mm
O	25 1/2"	648mm
ROD	12"	305mm
ROW	33 1/2"	851mm
ROH	29"	737mm

Table 1

DBR36

A	36"	914mm
B	34 1/4"	870mm
C	21"	533mm
D	33"	838mm
E	24"	610mm
F	16"	406mm
G	19"	483mm
H	23 7/8"	606mm
I	27 1/2"	698mm
J	6 3/4"	171mm
K	10"	254mm
L	13 1/2"	343mm
M	41 5/8"	1057mm
N	58 7/8"	1495mm
O	29 7/8"	748mm
ROD	16 1/2"	419mm
ROW	36 1/2"	927mm
ROH	35"	889mm

Table 2

DBR39

A	39"	991mm
B	34 1/4"	870mm
C	21"	533mm
D	36"	914mm
E	24"	610mm
F	16"	406mm
G	19"	483mm
H	23 7/8"	606mm
I	27 1/2"	698mm
J	6 1/4"	159mm
K	8 3/8"	213mm
L	12 1/2"	318mm
M	44"	1118mm
N	62 1/4"	1581mm
O	31 1/8"	790mm
ROD	16 1/2"	419mm
ROW	39 1/2"	1003mm
ROH	35"	889mm

Table 3

MANTELS

Depending on the width of the mantel it may be installed higher or lower from the top of the louvre opening. See drawing and chart below for proper installation height of your combustible mantel piece. Non-combustible mantels may be installed at any height above the appliance opening.



When using paint or lacquer to finish the mantel, such paint or lacquer must be heat resistant to prevent discolouration.

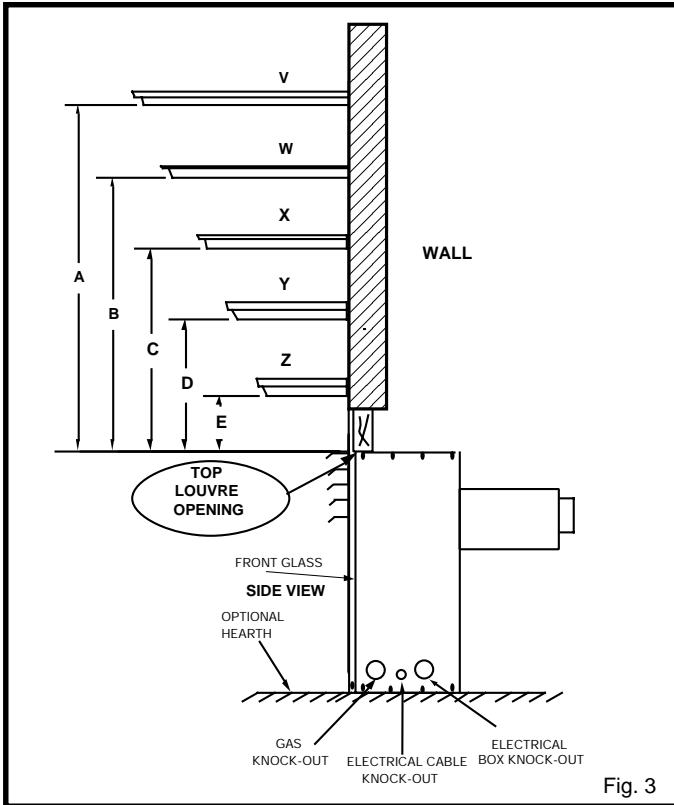


Fig. 3

MANTEL CHART

Ref.	Mantel Depth	Ref.	Mantel From Top Louvre	Mantel Leg from Fireplace Side
V	10" (254 mm)	A	12" (305 mm)	10" (254mm)
W	8" (203 mm)	B	10" (254 mm)	8" (203mm)
X	6" (152 mm)	C	8" (203 mm)	6" (152mm)
Y	4" (101 mm)	D	6" (152 mm)	4" (101mm)
Z	2" (51 mm)	E	4" (101 mm)	2" (51mm)

Table 4

CLEARANCE TO COMBUSTIBLES

Back	0 mm/0 inches
Side	0 mm/0 inches
Floor	0 mm/0 inches
Top	0 mm/0 inches

Table 5

FRAMING AND FINISHING

1. Choose fireplace location.
2. Place fireplace into position and secure to floor with 1-1/2" screws, or nails. The holes to secure the fireplace to the floor are located just behind the access door grill on the left and right hand side of the fireplace.
3. Frame in fireplace with a header across the top. It is important to allow for finished face when setting the depth of the frame.
4. Attach fireplace to frame using adjustable frame drywall strips (located behind access door for shipping). Preset depth to suit facing material (adjustable to 1/2", 5/8" or 3/4" depths). Fig. 4.
5. Screw through slotted holes in drywall strip and then screw into pre-drilled holes on fireplace side. Measure from face of fireplace to face of drywall strip to determine final depth. (Fig. 5 & 6)

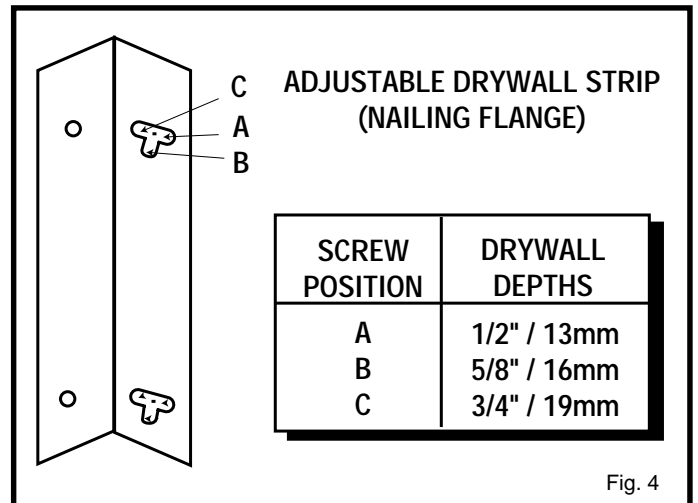


Fig. 4

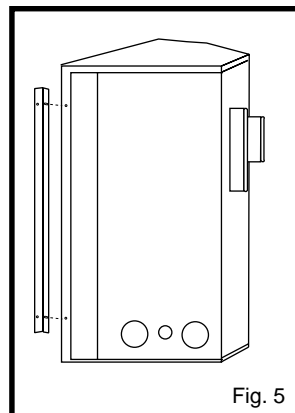


Fig. 5

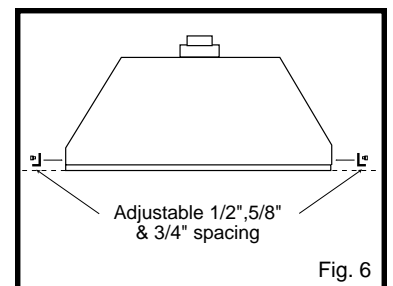


Fig. 6

FINAL FINISHING

Non-combustible materials such as brick and tile can be extended over the outer face of the unit (**Do not cover louvres or glass door**). If a Trim Kit is going to be installed, brick and tile will have to be installed flush with the side of this appliance.

HEARTH

A hearth is not mandatory but it is recommended for aesthetic purposes. We recommend a non-combustible hearth which does not obstruct louvre opening.



Cold climate installation recommendation: When installing this unit against a non-insulated exterior wall or chase, it is mandatory that the outer walls be insulated to conform to applicable insulation codes.

GAS SPECIFICATIONS

MODEL	FUEL	GAS CONTROL	MAX. INPUT B.T.U.H.	MIN. INPUT B.T.U.H.
DBR33 RN	Natural Gas	Millivolt Hi/Lo	15,000	10,500
DBR33 RP	Propane Gas	Millivolt Hi/Lo	15,000	11,250
DBR36 RN	Natural Gas	Millivolt Hi/Lo	18,000	12,600
DBR36 RP	Propane Gas	Millivolt Hi/Lo	18,000	13,500
DBR39 RN	Natural Gas	Millivolt Hi/Lo	22,000	15,400
DBR39 RP	Propane Gas	Millivolt Hi/Lo	22,000	16,500

Table 6

GAS INLET & MANIFOLD PRESSURES

	NATURAL	LP (Propane)
Input Minimum	4.5" wc	11" wc
Input Maximum	7" wc	13" wc
Manifold Pressure	3.5" wc	10" wc

Table 7

CERTIFIED TO:

ANSI Z1.88b-1999/CSA Z2.33-M-99 harmonized, standard for Vented Gas Fireplace.



Do not use this fireplace if any part of it has been under water. Immediately call a qualified service technician to inspect the fireplace and replace any part of the control which has been under water.

The installation of your Fireplace must conform with local codes, or in the absence of local codes, with National Fuel Gas Code, ANSI Z223.1 — latest edition, or CAN 1 B1-149.1 and .2 Installation Code. (EXCEPTION: Do not derate this appliance for altitude. Maintain the manifold pressure at 3.5 inches W.C. for Natural Gas and 10 inches W.C. for LP gas.)

GAS LINE INSTALLATION



When purging gas line the front glass must be removed.

The gas pipeline can be brought in through the right side, left side of the appliance as well as the bottom. Knockouts are provided at convenient locations to allow for the gas pipe installation and testing of any gas connection. It is most convenient to bring the gas line in from the right side, as this allows fan installation or removal without disconnecting the gas line.

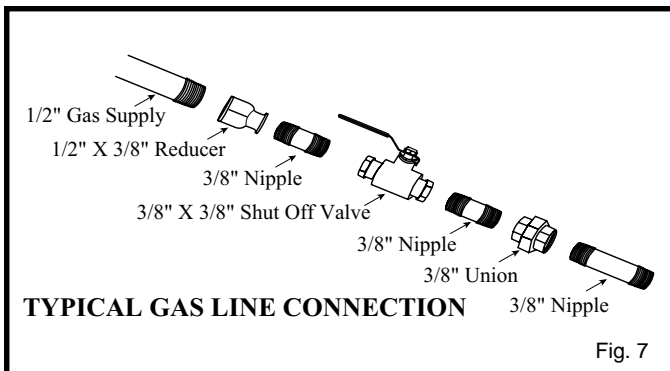


The gas line connection can be made with properly tinned 3/8" copper tubing, 3/8" rigid pipe or an approved flex connector.



Always check for gas leaks with a mild soap and water solution. Do not use an open flame for leak testing.

The gas control is equipped with a captured screw type pressure test point, therefore it is not necessary to provide a 1/8" test point up stream of the control.

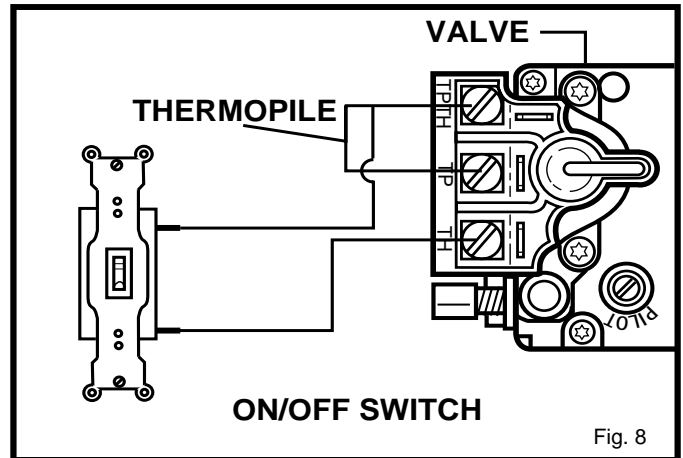


When using copper or flex connector use only approved fittings. **Always provide a union** so that gas line can be easily disconnected for burner or fan servicing. See Fig. 7. See gas specification for pressure details and ratings.

The fireplace valve must not be subjected to any test pressures exceeding 1/2 psi. Isolate or disconnect this or any other gas appliance control from the gas line when pressure testing.

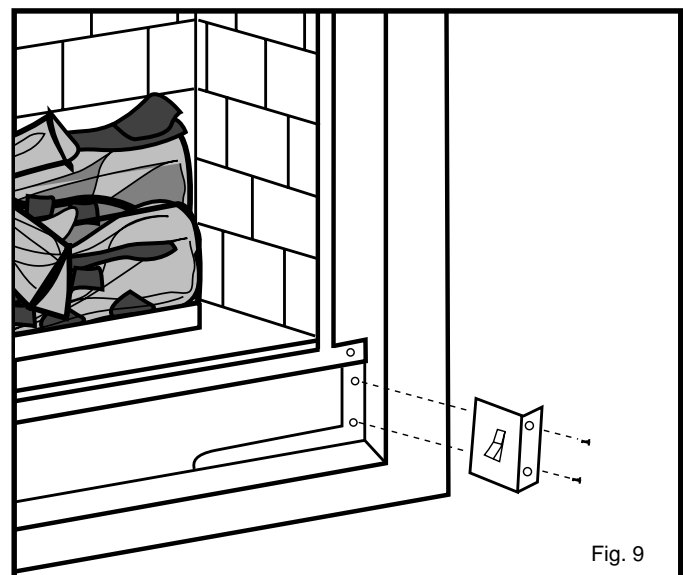
REMOTE SWITCH INSTALLATION FOR RN/RP

1. Thread wire through the electrical knockout located on either side of fireplace. Do not cut wire or insulation on metal edges. Ensure that wire is protected. Run the other end to a conveniently located wall receptacle box.
2. Attach wire to switch and install switch into receptacle box. Attach cover plate to switch.
3. Connect wiring to gas valve. (Fig. 8)



ALTERNATE SWITCH LOCATION:

Remote switch can be installed on either side of the access door. Simply mount the switch to the switch bracket provided. Screw the bracket on either side of the frame, lining up the screws with the pre-punched holes. (Fig. 9)



DO NOT WIRE MILLIVOLT REMOTE WALL SWITCH FOR GAS FIREPLACE TO A 120V POWER SUPPLY.



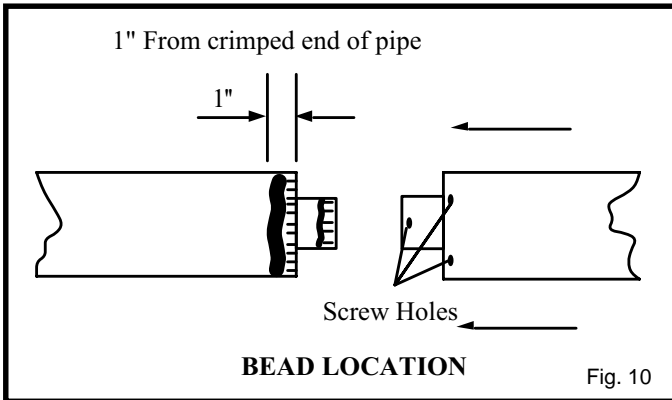
FOR LIGHTING INSTRUCTIONS PLEASE REFER TO LIGHTING INSTRUCTION PAGE

GENERAL INFORMATION ON ASSEMBLING THE VENT PIPES

CRIMPED END PIPES

Before joining elbows and pipes apply a bead of high temperature sealant to crimped end of elbow or pipe. (Fig. 10).

Join pipes and secure joints with three (3) sheetmetal screws. (See Fig. 10) Wipe off excess sealant.



CANADIAN INSTALLATION

The venting system must be installed in accordance with the current CAN/CGA-B149 (.1 or .2) installation code.

U.S.A. INSTALLATIONS:

The venting system must conform with local codes and/or the current National Fuel Gas Code, ANSI Z223.1.

Only venting components manufactured by The CFM Majestics Products Company may be used.

TWIST LOCK PIPES

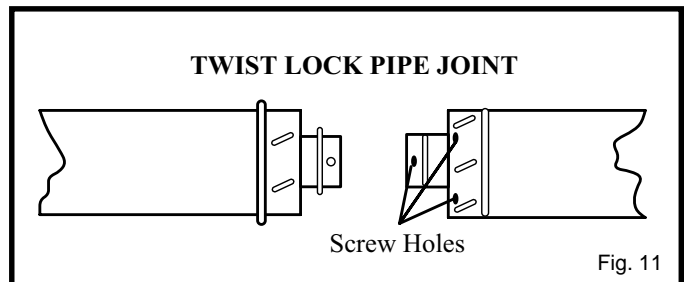
When using twist lock pipe it is not necessary to use sealant at the twist lock joints.

The only areas of the venting that need to be sealed with high temperature silicone sealant are the collars on the fireplace and termination, and the sliding joint of any telescopic vent pipes used in the system.

To join the twist lock pipes together, simply align the beads of the male end with the grooves of the female end, then while bringing the pipes together, twist the pipe until the flange on the female end contacts the external flange on the male end.

It is recommended that you secure the joints with 3 sheet metal screws however this is not mandatory with twist lock pipe.

To make it easier to assemble the joints we suggest putting a lubricant (Vaseline or similar) on the male end of the twist lock pipe.



GENERAL VENTING INFORMATION

Your fireplace is approved to be vented either through the side wall, or vertical through the roof.

- Only Majestic venting components specifically approved and labelled for this fireplace may be used.
- Minimum clearances between vent pipes and combustible materials is one (1") inch (25 mm), except where stated otherwise.
- Venting terminals shall not be recessed into a wall or siding.
- Horizontal venting must be installed on a level plane without an inclining or declining slope.

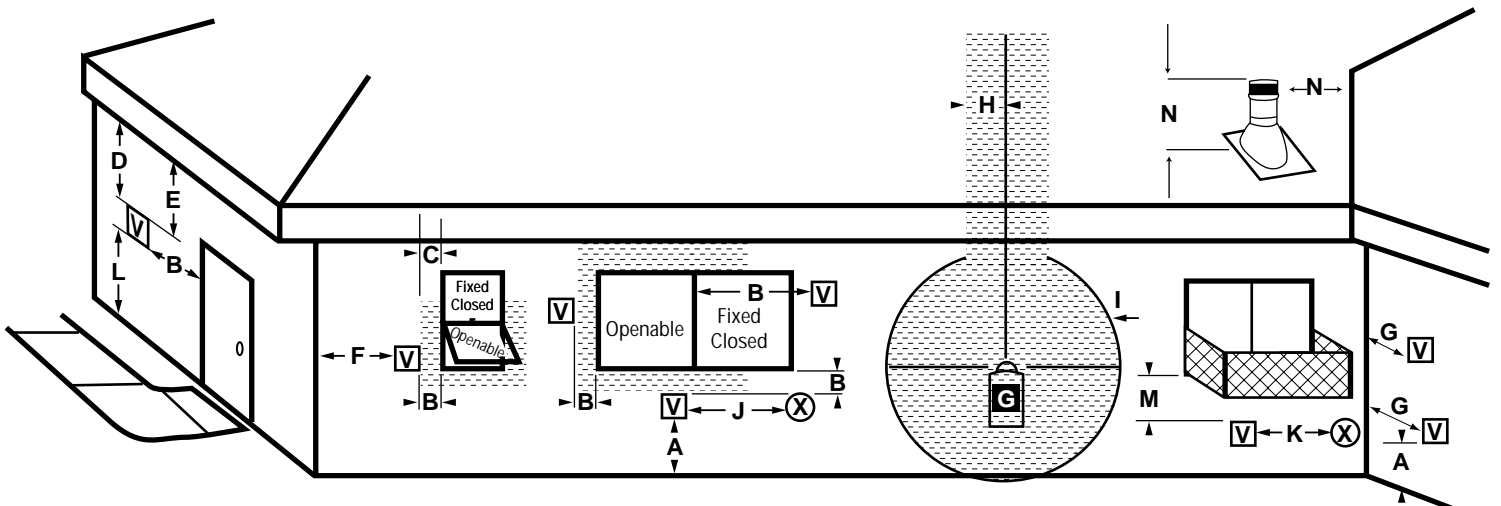
There must not be any obstruction such as bushes, garden sheds, fences, decks or utility buildings within 24" from the front of the termination hood.

Do not locate termination hood where excessive snow or ice build up may occur. Be sure to check vent termination area after snow falls, and clear to prevent accidental blockage of venting system. When using snow blowers, make sure snow is not directed towards vent termination area.

Location of Vent Termination

It is imperative that the vent termination be located observing the minimum clearances as shown on this page.

** Check with local codes or in absence of local codes, with National Fuel Gas Code, ANSI Z223.1 - latest edition for USA, or CAN 1 B1-149.1 and .1 Installation Code for Canada.*



V TERMINATION CAP
 X AIR SUPPLY INLET
 G GAS METER
 RESTRICTED AREA (TERMINATION PROHIBITED)

- A = clearance above grade, veranda, porch, deck, or balcony [* 12 inches (305mm) minimum]
- B = clearance to window or door that may be opened 12" (306mm).
- C = clearance to permanently closed window [minimum 12 inches (305mm) recommended to prevent condensation on window]
- D = vertical clearance to ventilated soffit located above the termina/ within a horizontal distance of 24 inches (610mm) from the centre-line of the terminal [18 inches (458mm) minimum]
- E = clearance to unventilated soffit [12 inches (305mm) minimum]
- F = clearance to outside corner see next page
- G = clearance to inside corner see next page
- H = * not to be installed above a meter/regulator assembly within 36 inches (914mm) horizontally from the centre-line of the regulator
- I = clearance to service regulator vent outlet [* 72 inches (1828mm) minimum]
- J = clearance to non-mechanical air supply inlet to building or the combustion air inlet to any other fireplace [* 12 inches (305mm) minimum]
- K = clearance to a mechanical air supply inlet [* 72 inches (1828mm) minimum]
- L = † clearance above paved side-walk or a paved driveway located on public property [* 84 inches (2133mm) minimum]
- M = clearance under veranda, porch, deck [* 12 inches (305mm) minimum †]
- N = Clearance above a roof shall extend a minimum of 24" (610mm) above the highest point when it passes through the roof surface, and any other obstruction within a horizontal distance of 18" (450mm).

† a vent shall not terminate directly above a side-walk or paved driveway which is located between two single family dwellings and serves both dwellings *

‡ only permitted if veranda, porch, deck, is fully open on a minimum 2 sides beneath the floor *

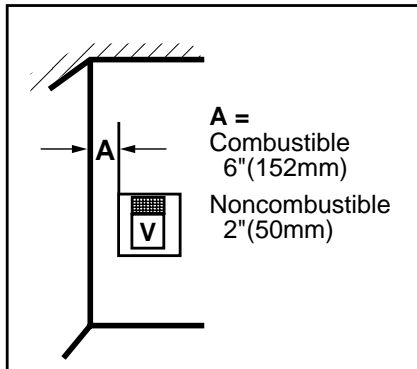
* check with local codes, or in the absence of local codes, with National Fuel Gas Code, ANSI Z223.1 - latest edition for USA, or CAN 1 B1-149.1 and .2 Installation Code for Canada.

Note: Local codes or regulations may require different clearances.

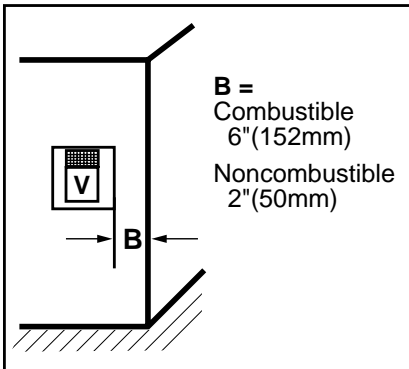
Termination Clearances

Termination clearances for buildings with combustible and noncombustible exteriors.

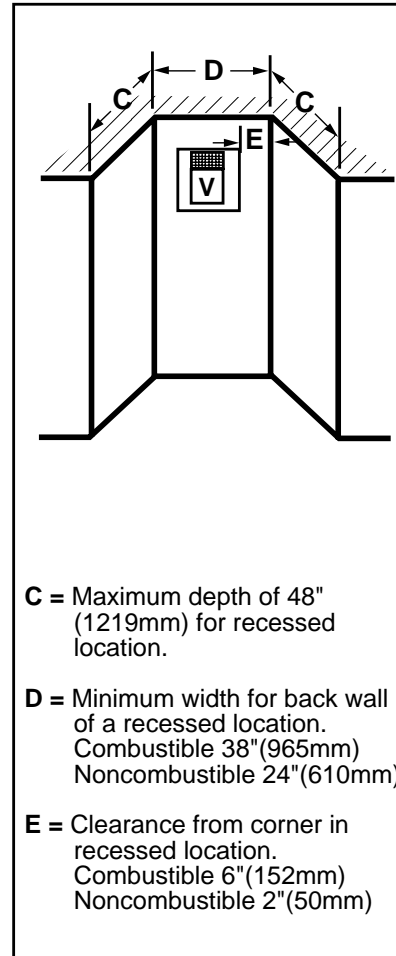
Inside Corner



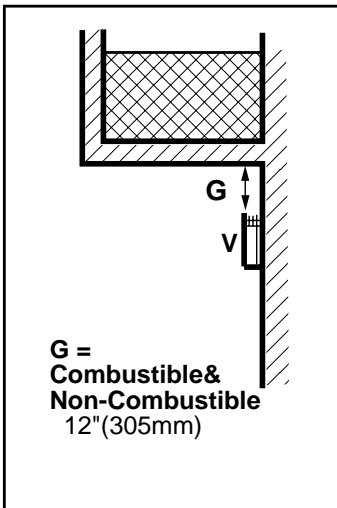
Outside Corner



Recessed Location



Balcony - with no side wall



Balcony - with perpendicular side wall

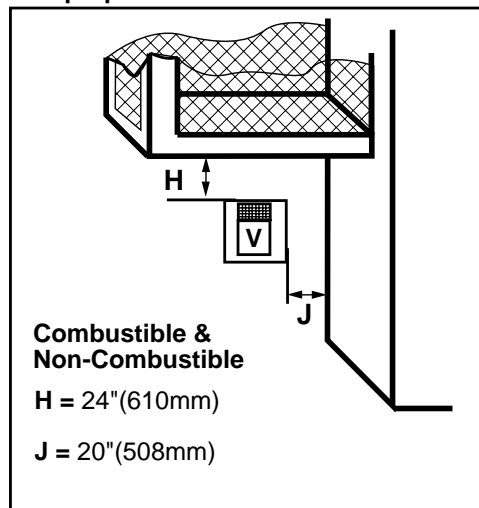


Fig. 13

REAR VENTING APPLICATIONS

Note: It is not necessary to seal the vent pipe joints for any straight out the wall rear vent applications.

Note: Vent Starter Kit Model 7DVRVT must be used in straight out the wall rear vent applications.

Maximum Vent Length 20" (508mm)- Fig. 14



Minimum clearance between vent pipes and combustible materials is one (1") inch (25 mm) on sides and bottom and two (2") inch (50 mm) on top.



When vent termination exits through foundation less than 20" (508mm) below siding outcrop, the vent pipe must flush up with the siding. A 7DVSS must also be used.

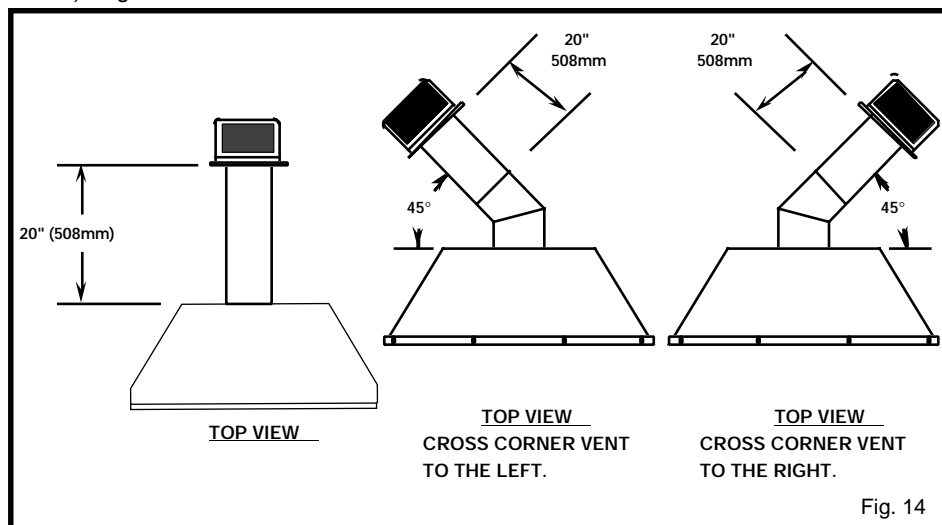


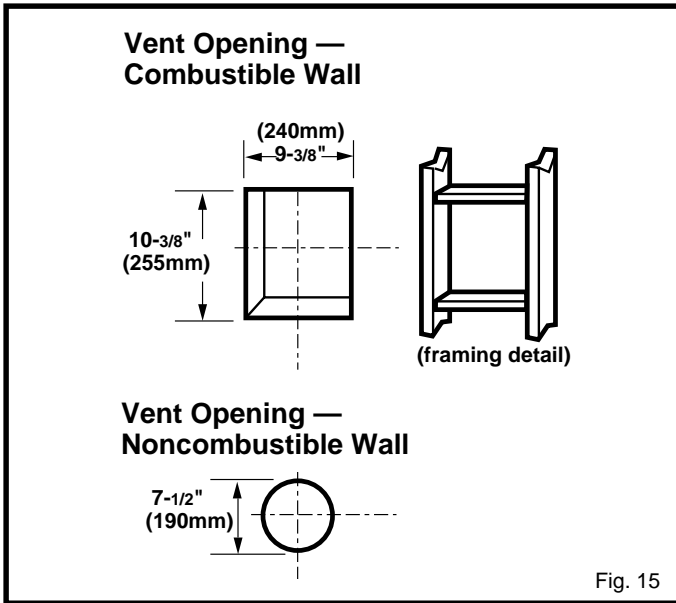
Fig. 14

REAR WALL INSTALLATIONS

STEP 1

Locate vent opening on wall. To locate hole centre consult with appropriate fireplace dimensions, page 4. Frame as shown below.

Straight Out Thru the Wall Application

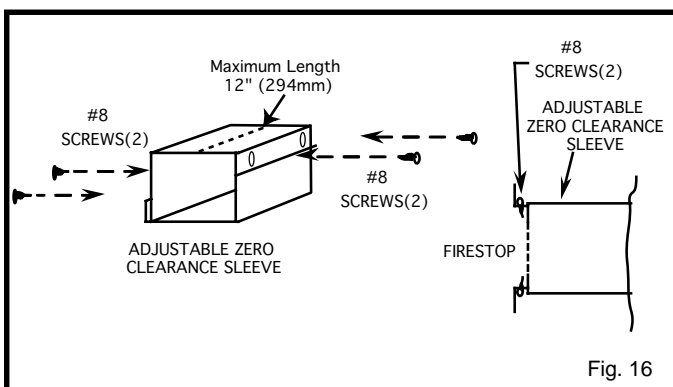


Combustible Walls. Cut a 10-3/8"H x 9-3/8"W (265mm x 240mm) hole through the exterior wall and frame as shown. Fig. 15.

Non-Combustible Walls: Hole opening must be 7.5" (190mm) in diameter.

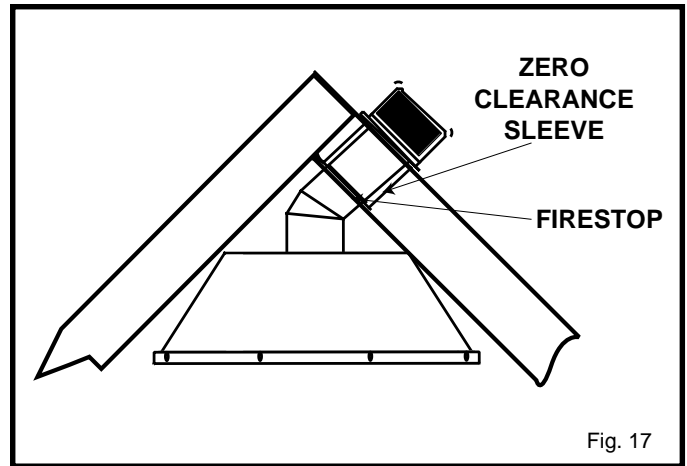
STEP 2

Measure wall thickness and cut adjustable zero clearance sleeve parts to proper length (MAXIMUM 12"/305mm). Adjust sleeve to maximum (10-3/8 x 9-3/8), and attach to firestop with #8 sheet metal screws (supplied). (Fig. 16) Install firestop assembly.



STEP 3

Measure from fireplace collar or elbow face to face of outside wall (add 2" for vent pipe overlap). Mark pipes and cut to length. It is very important that the two pipes are flush with the outside wall once the fireplace is in its final location.



STEP 4

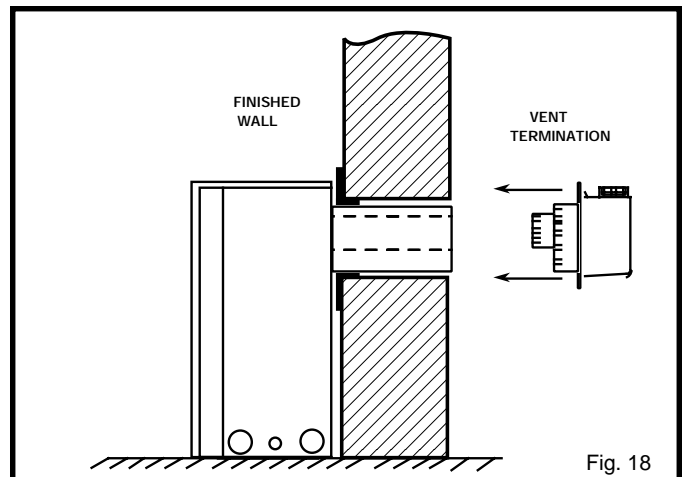
Slip 4" and 7" pipes onto respective flue collars. Make sure to fix to the fireplace collar the 4" pipe with three (3) screws before fixing the 7" pipe on the 7" collar. Both pipes must be on a level plane. Fig. 17.

STEP 5

Guide the vent termination 4" collar into the 4" pipe then the 7" collar into the 7" pipe. Do not force the venting into position. If the pipes do not line up with the termination collars, disassemble pipes and reattach to the fireplace collar. (Fig. 18)

STEP 6


Secure fireplace to floor through floor holes and adjustable frame drywall strip (nailing flange) to frame. (See Framing & Finishing Section)




VERTICAL SIDEWALL APPLICATIONS


Since it is very important that the venting system maintain its balance between the combustion air intake and the flue gas exhaust, certain limitations as to vent configurations apply and must be strictly adhered to.


The graph showing the relationship between vertical and horizontal side wall venting will help to determine the various vent lengths allowable. Fig. 23.


 **Minimum clearance between vent pipes and combustible materials is one (1") inch (25 mm) on top, bottom and sides unless otherwise noted.**

 **When vent termination exits through foundation less than 20" below siding outcrop, the vent pipe must flush up with the siding. A 7DVSS must also be used.**

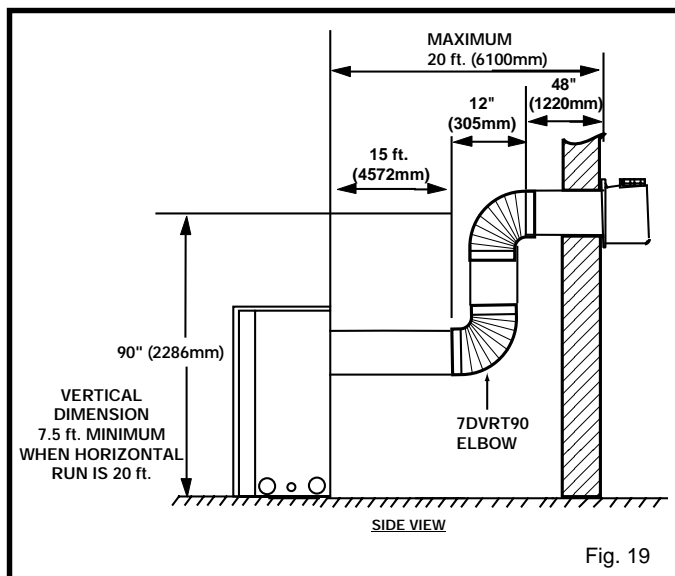
It is always best to locate the fireplace in such a way that minimizes the number of offsets and horizontal vent length.

 **The horizontal vent run refers to the total length of vent pipe from the flue collar of the fireplace to the face of the outer wall.**

 **Horizontal plane means no vertical rise exists on this portion of the vent assembly.**

 **For some installations, it may be desirable to have some amount of the horizontal vent run immediately after the fireplace. A vertical rise must be used but can be located anywhere in the vent system, to meet the perimeter identified in the venting graph.**

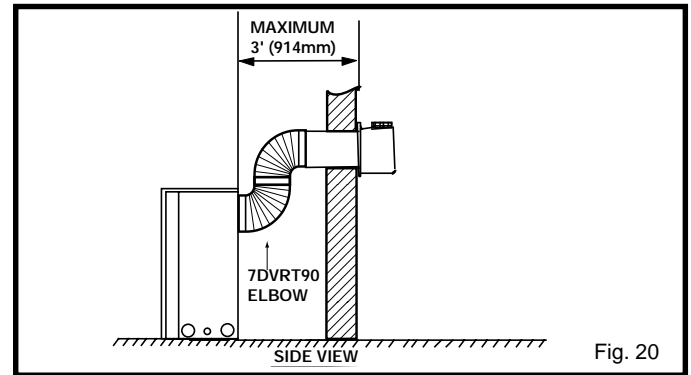
The maximum horizontal vent run is 20 feet (6100mm) when the vertical vent rise is 7.5 feet (2286mm). Fig. 19





The maximum number of 90 degree elbows per side wall installation is three (3) plus one transition elbow, 7DVRT90 off back of unit.

The maximum number of 45 degree elbows permitted per side wall installation is two (2). These elbows can be installed in either the vertical or horizontal run.

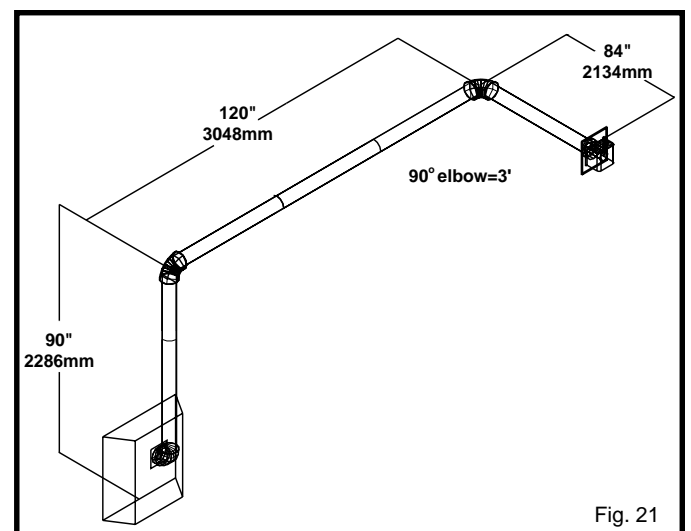
When one 90° elbow is installed directly onto another off the back of the fireplace the maximum horizontal vent length is 36" (914mm). Fig. 20.



 **For each 45 degree elbow installed in the horizontal run (while maintaining a constant horizontal plane), the length of the horizontal run MUST be reduced by 18" (457mm). This does not apply if the 45 degree elbows are installed on the vertical part of the vent system.**

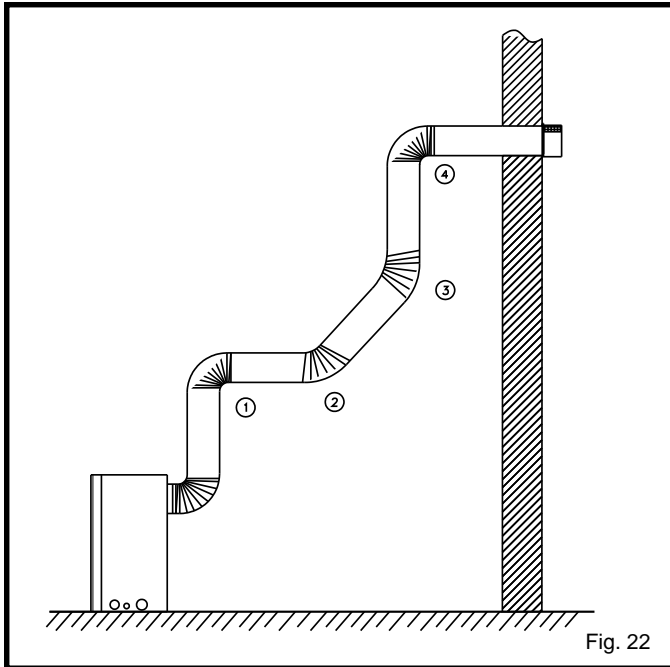
 **If a 90 degree elbow is used in the horizontal vent run (level height maintained) the maximum horizontal vent length is reduced by 36 inches. Fig. 21. This does not apply if the 90 degree elbows are used to increase or redirect a vertical rise.**

Example: According to the vent chart the maximum horizontal vent length is 20 ft. when the vertical height is 7.5 ft. from fireplace base height. If one 90 degree elbow is required in the horizontal vent it must be reduced to 17 ft.



The maximum number of elbow degrees in a system is 270°. (This does not include transition elbow from rear vent to vertical vent.) Fig. 22.

Sample:	1	-	90°
(Fig. 20)	2	-	45°
	3	-	45°
	4	-	90°
<hr/>			
Total	-		270°



HOW TO USE THE VENT GRAPH

1. Determine the height of the centre of the horizontal vent pipe exiting through the outer wall. Using this dimension on the Sidewall Vent Graph (Fig. 21), locate the point it intersects with the slanted graph line.
2. From the point of this intersection, draw a vertical line to the bottom of the graph.
3. Select the indicated dimension, and position the fireplace in accordance with same.

EXAMPLE A:

If the vertical dimension from the floor of the unit is 11 feet (3352mm) the horizontal run to the face of the outer wall must not exceed 14 feet (4267mm).

EXAMPLE B:

If the vertical dimension from the floor of the unit is 7 feet (2133mm), the horizontal run to the face of the outer wall must not exceed 8-1/2 feet (2590mm).

VERTICAL SIDEWALL VENTING GRAPH (Dimensions in Feet)

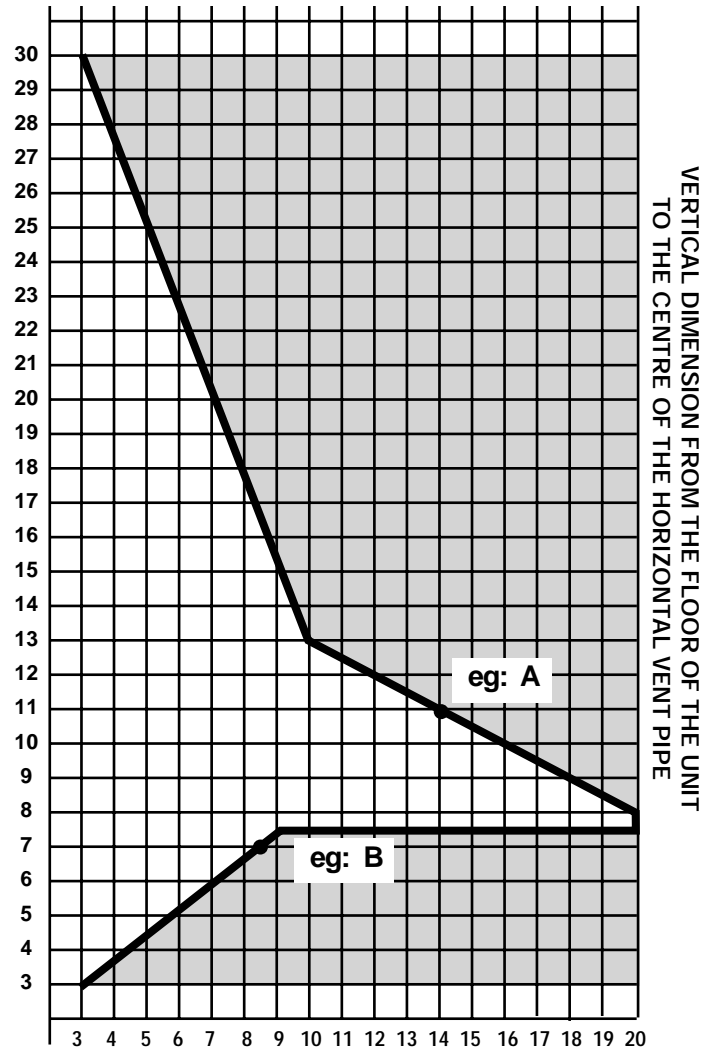


Fig. 23

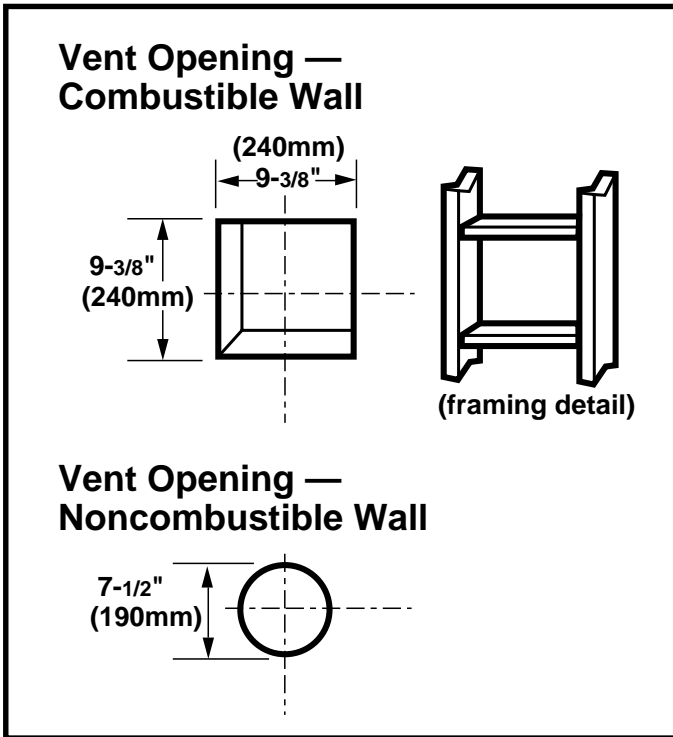
SEE PAGE 15 FOR VENTING REQUIREMENTS FOR SNORKELS.

VERTICAL SIDEWALL INSTALLATION

STEP 1

Locate vent opening on the wall. It may be necessary to first position the fireplace and measure to obtain hole location. Depending on whether the wall is combustible or non-combustible, cut opening to size. Fig. 25.
(For combustible walls first frame in opening).

VERTICAL SIDEWALL APPLICATION



COMBUSTIBLE WALLS (Fig. 25): Cut a 9-3/8"H x 9-3/8"W (240 mm x 240 mm) hole through the exterior wall and frame as shown (Fig. 24).

NON-COMBUSTIBLE WALLS (Fig. 25): Hole opening must be 7.5" (190 mm) in diameter.

Fig. 25

STEP 2

Fig. 26. Measure wall thickness and cut adjustable zero clearance sleeve parts to proper length (MAXIMUM 12"/305mm). Adjust sleeve to minimum (9-3/8" x 9-3/8") and attach to firestop with #8 sheet metal screws (supplied). Install firestop assembly.



Zero clearance sleeve is only required for combustible walls.

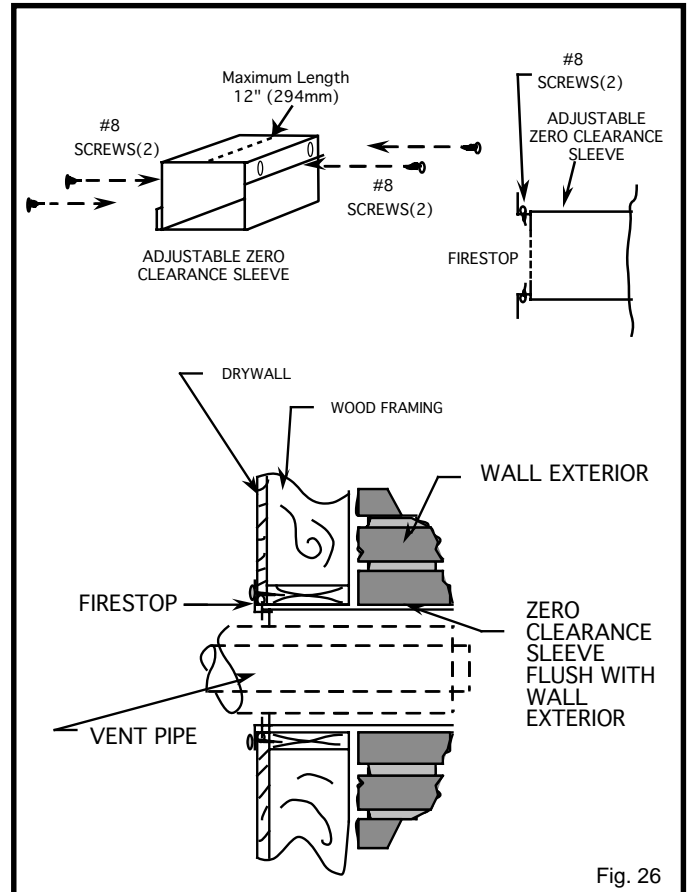
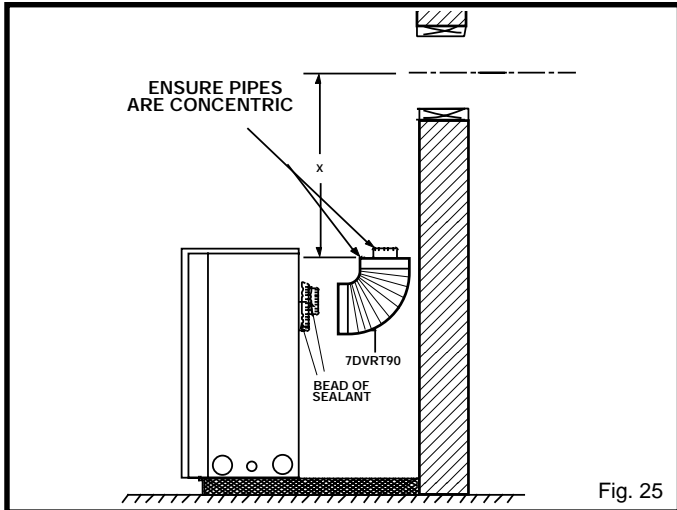


Fig. 26

STEP 3

(Fig. 27) Apply a bead of high temperature sealant to the inner and outer flue collars of the fireplace and using appropriate venting component(s) attach to fireplace with three (3) screws. Follow with the installation of the inner and outer elbow. Again secure joints with three (3) sheet metal screws. Wipe off any excess high temperature sealant.

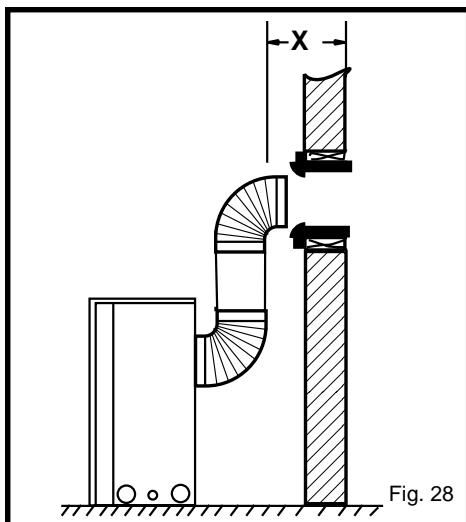


STEP 4

(Fig. 28) Measure the horizontal length requirement including a 2" (50mm) overlap, i.e. from the elbow to the outside wall finish plus 2" (or the distance required if installing a second 90° elbow).



Always install horizontal venting on a level plane.

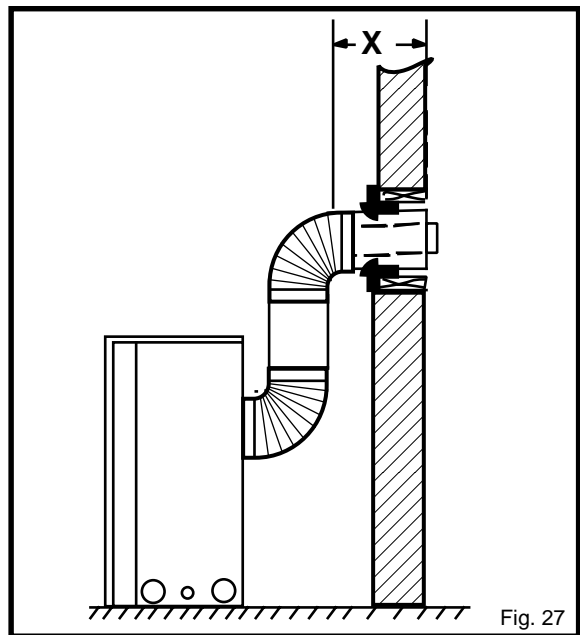


STEP 5

(Fig. 29) Use the appropriate length of pipe section – telescopic or fixed – and install. The 20" (508mm) section of pipe which goes through the wall is packaged with the 7DVSK kit, and can be cut to suit if necessary.

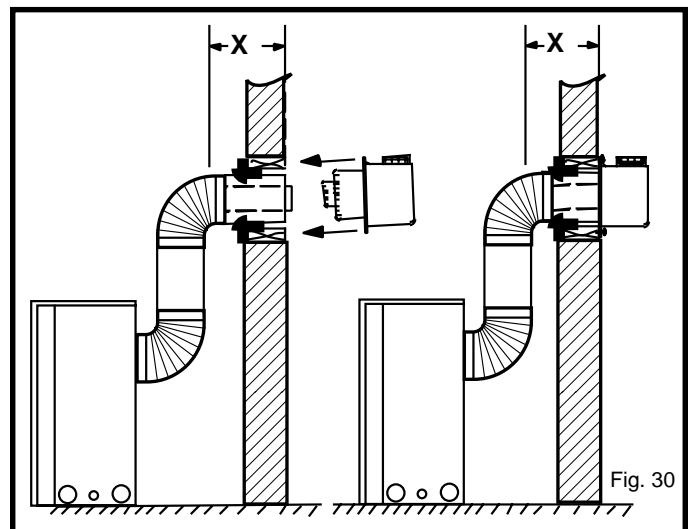


Sealing vent pipe and firestop gaps with high-temperature sealant will restrict cold air being drawn in around fireplace.



STEP 6

(Fig. 30) Apply high temperature sealant to 4" and 7" collars one inch away from crimped end. Guide the vent termination 4" and 7" collars into their respective vent pipes. Double check that the vent pipes overlap the collars by 2" (50mm). Secure the termination to the wall with screws provided and caulk around the wall plate to weatherproof.



STEP 7

Support the horizontal pipes every 36 inches (914mm) with metal pipe straps. Make sure that the horizontal vent pipe is installed on a level horizontal plane.

STEP 8

Recheck the fireplace to make sure that it is levelled, properly positioned, and nailed or screwed to the floor.

If applied, the fireplaces adjustable frame drywall strips (nailing flanges) should be fastened. See "Framing & Finishing."

BELOW GRADE INSTALLATIONS

When it is not possible to meet the required vent terminal clearances of 12 inches (305mm) above grade level a model #7DVSKS vent kit is required. It allows installation depth of down to 7 inches (178mm) below grade level. The 7 inches is measured from the centre of the horizontal vent pipe as it penetrates through the wall.



If venting system is installed below ground, we recommend a window well with adequate and proper drainage.

Ensure sidewall venting clearances are observed.



The maximum horizontal run with 24" (610mm) vertical rise is 36" (914mm) from the back of the fireplace to the face of the exterior wall. See vent graph (Fig. 21) for extended horizontal run if the vertical exceeds 24" (610mm).

1. Establish vent hole through the wall. See page 14
2. Remove soil to a depth of approximately 16" (406mm) below base of snorkel. Install window well (not supplied). Refill hole with 12" (305mm) of coarse gravel leaving a clearance of approximately 4" (100mm) below snorkel. (Fig. 31)
3. Install vent system. See page 13, Steps 2 through 5.
4. Ensure a watertight seal is made around the vent pipe coming through the wall.
5. Apply high temperature sealant caulking (supplied) around the 4 and 7 inch 7DVSKS's snorkel collars.
6. Slide into vent pipe and secure to the wall.
7. Level the soil so as to maintain a 4" (100mm) clearance below snorkel (Fig. 31).

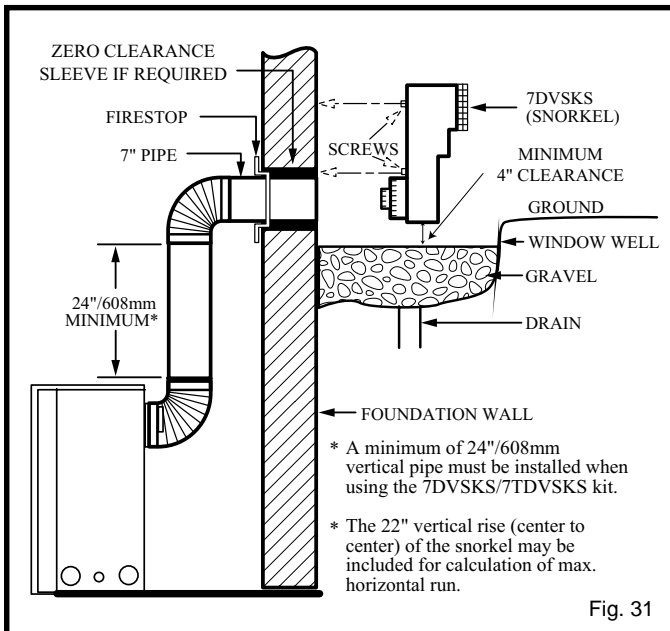


Fig. 31



DO NOT BACK FILL AROUND SNORKEL. SOIL SHOULD NOT BE LESS THAN 4" (100mm) BELOW SNORKEL.

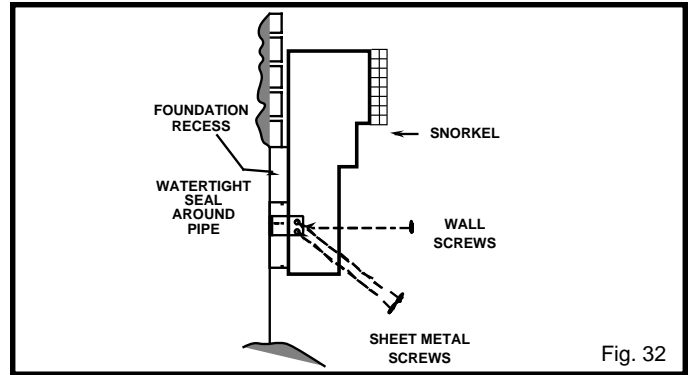


Fig. 32

If the foundation is recessed, use recess brackets (not supplied) for securing lower portion of the snorkel. Fasten brackets to wall first and then secure to snorkel with self drilling #8 x 1/2 sheet metal screws. It will be necessary to extend vent pipes out as far protruding wall face (Fig. 32).

VERTICAL THROUGH THE ROOF APPLICATIONS

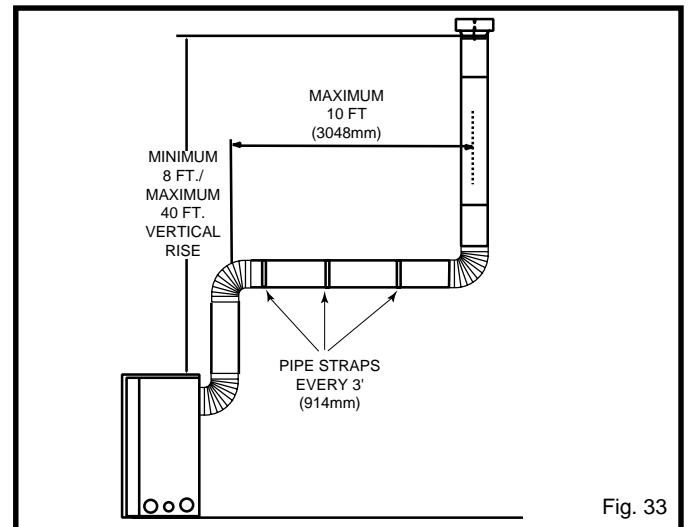


Fig. 33

This Gas Fireplace has been approved for,

- a) Vertical installations up to 40 feet (12 metres) in height. Up to a 10 ft.(3048mm) horizontal vent run can be installed within the vent system using a maximum of three 90° elbows.
- b) Up to two 45° elbows may be used within the horizontal run. For each 45° elbow used on the horizontal level the maximum horizontal length must be reduced by 18 inches (457mm).

Example: Maximum horizontal length

0	-	45° elbows	10 ft. (3048mm)
1	-	45° elbows	8.5 ft. (2590mm)
2	-	45° elbows	7 ft. (2133mm)

- c) A minimum of an 8 ft. vertical rise.
 - d) Two sets of 45 degree elbow offsets within these vertical installations. From 0 to a maximum of 8 ft. (2438mm) a vent pipe can be used between elbows. (Fig. 35)
 - e) 7DVCS must be used to support offsets. (Fig. 35)
- This application will require that you first determine the roof pitch and use the appropriate 7DVSKV (A,B or F). (see Venting Components, page 28)

VERTICAL THRU THE ROOF INSTALLATION

1. Locate your fireplace.
2. Plumb to centre of the (4") 90° transition elbow (7DVRT90) from ceiling above and mark position.
3. Cut opening equal to 9-3/8" x 9-3/8" (240 mm x 240 mm).
4. Proceed to plumb for additional openings through the roof. In all cases, the opening must provide a minimum of 1 inch clearance to the vent pipe, i.e., the hole must be a minimum of 9-3/8" x 9-3/8" (240 mm x 240 mm).
5. Place firestop(s) #7DVFS into position and secure. (Fig. 38)
6. Install roof support (Fig. 35) and roof flashing making sure upper flange of flashing is below the shingles. (Fig. 39)
7. Install appropriate pipe sections until above the flashing. (See Fig. 39 for #'s 7, 8 and 9).
8. Install storm collar and seal around the pipe.
9. Add additional vent lengths for proper height.
10. Apply high temperature sealant to 4" and 7" collars of vent termination and install.

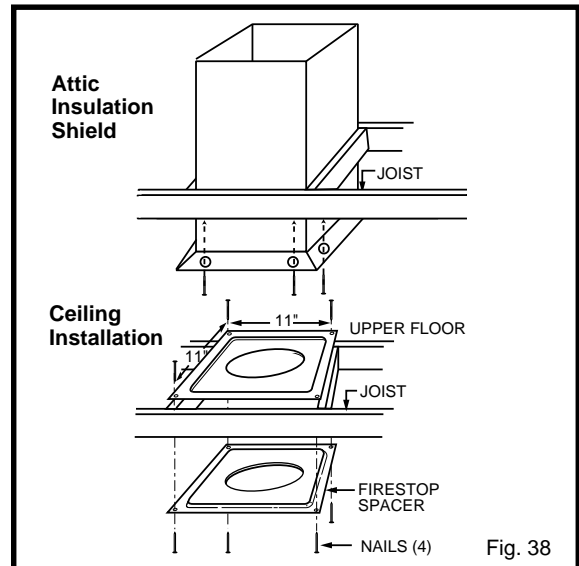
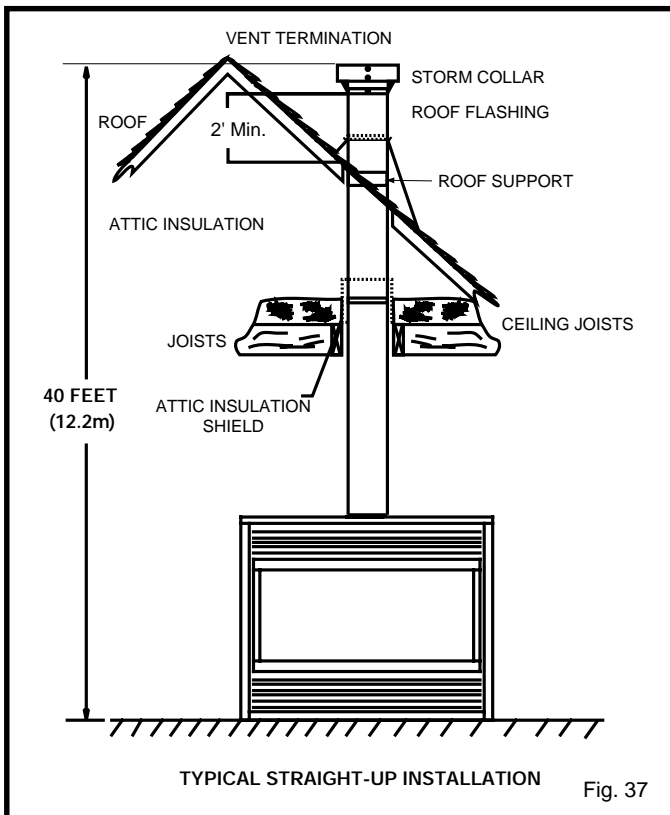
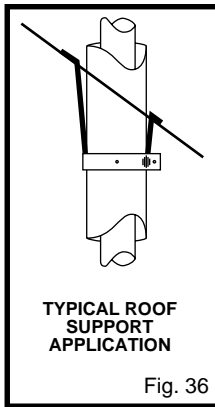
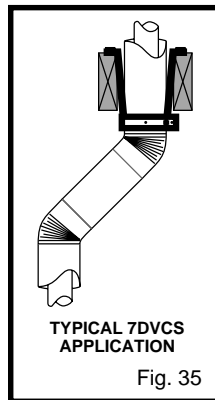
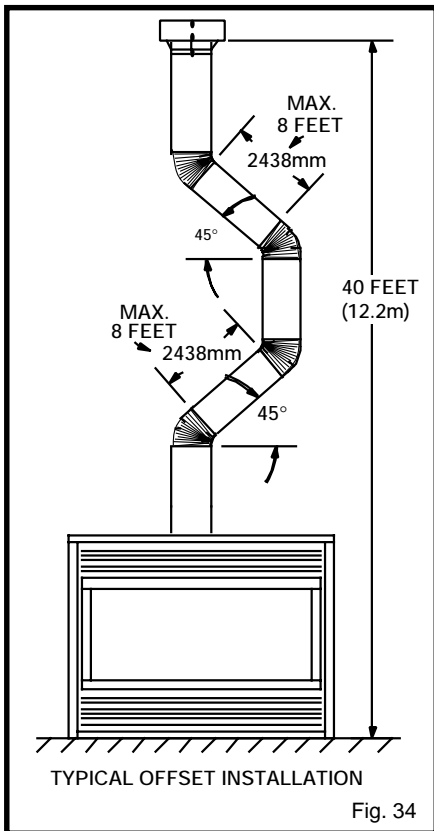


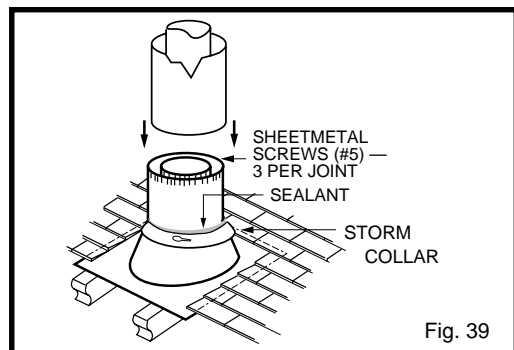
Fig. 38 If there is a room above ceiling level, firestop spacer must be installed on both the bottom and the top side of the ceiling joists. If an attic is above ceiling level a 7DVAIS (Attic Insulation Shield) must be installed.



Fig. 39. The enlarged ends of the vent section always face downward.



Clearance above a roof shall extend a minimum of 24" (610mm) above the highest point when it passes through the roof surface, and any other obstruction within a horizontal distance of 18" (450mm).



OPERATING INSTRUCTIONS

GENERAL GLASS INFORMATION

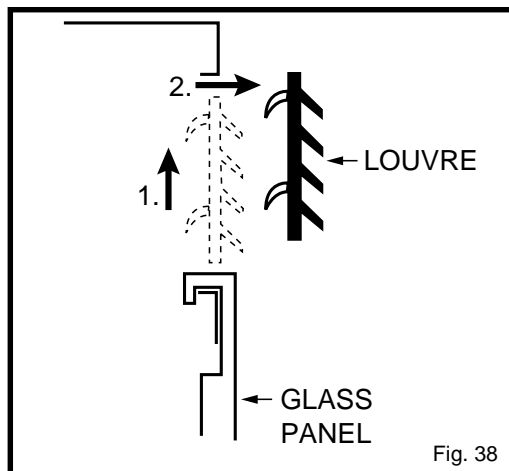


Only glass approved for use in products may be used for replacement.

1. The use of substitute glass will void all product warranties.
2. Care must be taken to avoid breakage of the glass.
3. Under no circumstances should this appliance be operated without the front glass or with a broken glass. Replacement of the glass (with gasket) as supplied by the manufacturer should be done by a licenced qualified service person.

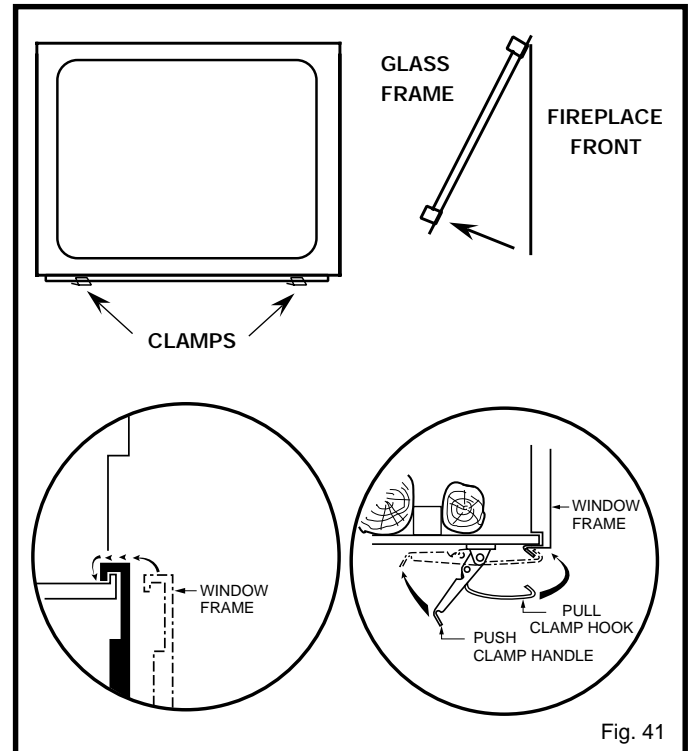
LOUVRE REMOVAL

(Fig. 40) To remove top louvre pull louvre up and then lift out.



GLASS FRAME REMOVAL

1. Shut off gas.
2. Let the fireplace cool if it has been operating.
3. Remove top louvre. (See Louvre Removal)
4. Open the lower louvre assembly.
5. Release the two clamps at the bottom of the window frame by pulling down on the clamp handles.
6. Lift off the glass frame as shown.
7. To reinstall glass follow the above procedure in reverse. (Fig. 41)



GLASS CLEANING

It will be necessary to clean the glass periodically. During start-up condensation, which is normal, forms on the inside of the glass and causes lint, dust and other airborne particles to cling to the glass surface. Also initial paint curing may deposit a slight film on the glass. It is therefore recommended that the glass be cleaned two or three times with a non-ammonia household cleaner and warm water (we recommend gas fireplace glass cleaner). After that the glass should be cleaned two or three times during each heating season depending on the circumstances present.



Clean glass after first two weeks of operation.
Do not clean glass when hot.
Do not use abrasive cleaners.
Do not strike or slam the glass.

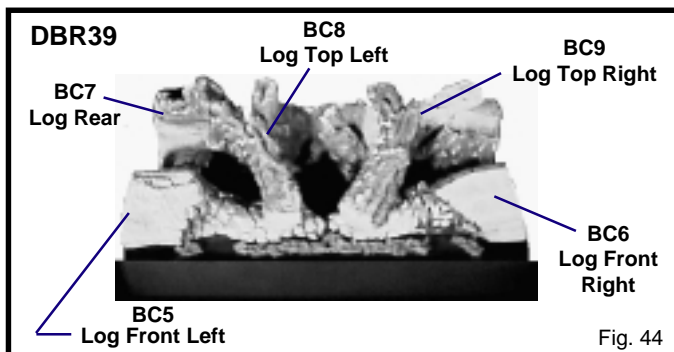
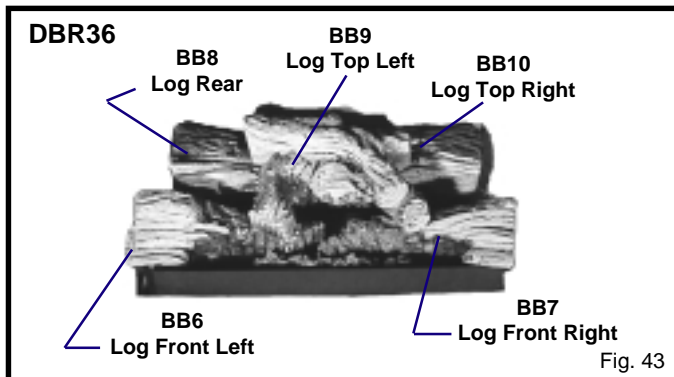
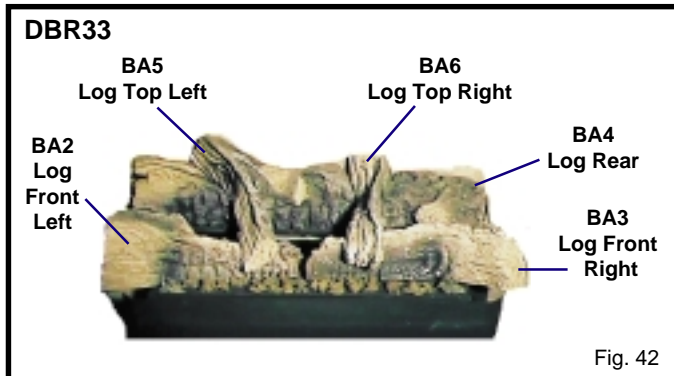
INSTALLATION OF LOGS

1. Remove front glass. (See "Glass Removal" Section)
2. Remove logs from the packaging.



As with all plastics — these are not toys and should be kept away from children and infants.

3. Place rear log on rear bracket (ensure log is seated properly, leveled and centered to the unit), so it will not move from side to side and it is firmly positioned on the bracket.
4. Place front left log on top of burner, left side. Use log's bottom holes to locate it into the left bracket log locator studs.
5. Place front right log on top of burner, right side. Use log's bottom holes to locate it into the right bracket log locator studs.
6. Place ember material on top of burner. (See "Ember Material Placement" Section).
7. Place top left log onto locator notches. Ensure log is secure.
8. Place top right log onto locator notches. Ensure log is secure.



LOGS	DBR33	DBR36	DBR39
Front Left Log	BA2	BB6	BC5
Front Right Log	BA3	BB7	BC6
Rear Log	BA4	BB8	BC7
Top Left Log	BA5	BB9	BC8
Top Right Log	BA6	BB10	BC9



Top logs must be placed properly onto notches.

EMBER MATERIAL PLACEMENT

Separate the ember material into small pieces, roughly 1/2" in diameter and place onto the burner in front of the front logs. Do **NOT** pack down, leave in fluffy, loose condition for most realistic ember effect.

LAVA ROCK

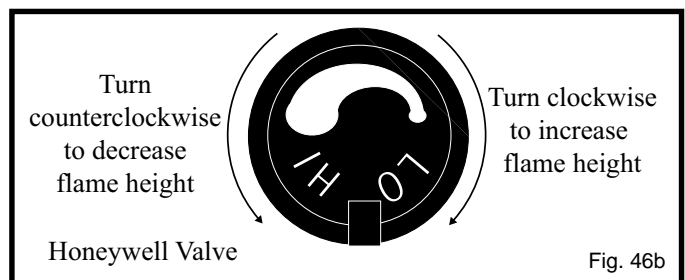
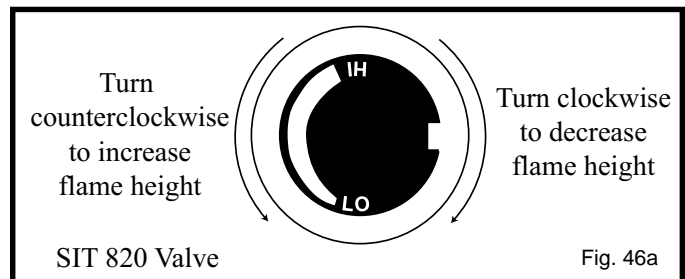
The lava rock provided with this fireplace must be placed on the firebox base on either side of the burner assembly.



Under no circumstances should this lava rock be placed on any part of the burner assembly.

FLAME ADJUSTMENT

For fireplaces equipped with Hi/Lo valves, flame adjustment is accomplished by rotating the Hi/Lo adjustment knob located near the centre of the gas control. Fig. 46a and 46b.



FLAME CHARACTERISTICS



It is important to periodically perform a visual check of the pilot and the burner flames. Compare them to the pictorials illustrated below (Fig. 47, 48, 49, and 50). If any of the flames appear abnormal call a service person.

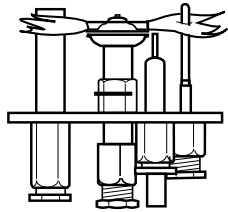


Fig. 47

DBR33

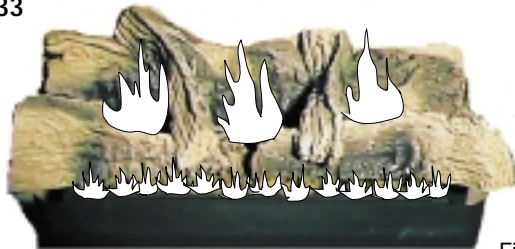


Fig. 48

DBR36

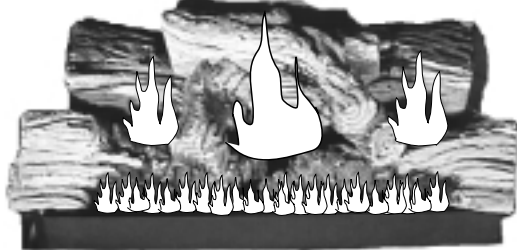


Fig. 48

DBR39

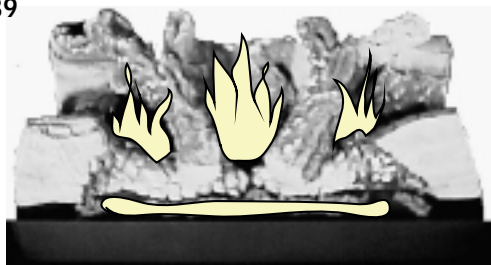


Fig. 50

INSPECTING THE VENTING SYSTEM

This appliance venting system was designed and constructed to develop a positive flow adequate to remove flue gases to the outside atmosphere.

Any foreign objects in the venting system, except those designed specifically for the venting system, may cause spillage of flue gases.

To inspect the venting system, make sure the main gas valve is off. Remove glass frame (See Glass Frame Removal Section). Using a flashlight, check the area above the baffle in the combustion dome. Clean if necessary.

MAINTENANCE

1. It is important to keep the burner and the burner compartment clean. This must be done periodically, at least once per season.
2. Clean the brass trim using a soft clean cloth, slightly dampened with lemon oil and buff with a soft clean cloth. Do NOT use brass polish or household cleaners as these products will damage the brass trim. Lemon oil can be obtained at supermarkets or hardware stores.
3. The optional FK24 fan does require periodic cleaning. Check the area under the control door and in front of the fan and wipe or vacuum at least once a month during the operating season.
4. Contact your local representative to arrange an annual service program.

CLEANING THE STANDING PILOT CONTROL SYSTEM

The burner and control system consists of:

- burner tube
- gas orifices
- pilot assembly
- thermopile
- millivolt gas valve

Most of these components may require only an occasional checkup and cleaning and some may require adjustment. If repair is necessary, it should be performed by a qualified technician.

1. Turn off pilot light at gas valve side
2. Let fireplace cool if it has been running.
3. Remove glass. (see Glass Removal)
4. Remove logs.



LOGS MAY BE HOT

5. Vacuum burner compartment especially around orifice primary air openings.
6. Visually inspect pilot. Brush or blow away any dust or lint accumulation.
7. Reinstall logs.
8. Ignite pilot - see Operating Section of Manual.
8. Reinstall glass.

To obtain proper operation, it is imperative that the pilot and burner's flame characteristics are steady, not lifting or floating.

Typically, the top 3/8" or 1/2" of the thermopile should be engulfed in the pilot flame. See Fig. 47.

To adjust pilot burner (by a Qualified Service Representative)

1. Remove pilot adjustment cap.
2. Adjust pilot screw to provide properly sized flame.
3. Replace pilot adjustment cap.

The primary air shutter is set at factory and should only be adjusted (if necessary) by a qualified service person.

LIGHTING AND OPERATING INSTRUCTIONS

FOR YOUR SAFETY READ BEFORE LIGHTING

WARNING: If you do not follow these instructions exactly, a fire or explosion may result causing property damage, personal injury or loss of life.

- A. This fireplace has a pilot which must be lit manually. When lighting the pilot follow these instructions exactly.
- B. BEFORE LIGHTING smell all around the fireplace area for gas. Be sure to smell next to the floor because some gas is heavier than air and will settle on the floor.

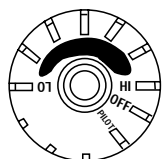
WHAT TO DO IF YOU SMELL GAS

- Do not try to light any fireplace.
- Do not touch any electric switch
- Do not use any phone in your building
- Immediately call your gas supplier from a neighbor's phone. Follow the gas supplier's instructions.
- If you cannot reach your gas supplier, call the Fire Department

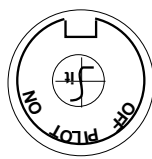
- C. Use only your hand to push in or turn the gas control knob. Never use tools. If the knob will not push in or turn by hand, do not try to repair it, call a qualified service technician. Applying force or any attempted repair may result in a fire or explosion.
- D. Do not use this fireplace if any part has been under water. Immediately call a qualified service technician to inspect the fireplace and to replace any part of the control system and any gas control which has been under water.

LIGHTING INSTRUCTIONS

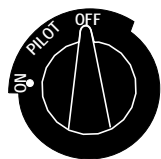
1. STOP! Read the safety information above on this page.
2. Turn off all electrical power to the fireplace.
3. For MN/MP/TN/TP appliances ONLY, go on to Step 4. For RN/RP appliances turn the On/Off switch to off position or set thermostat to lowest level.
4. Open control access panel.
5. Push in gas control knob slightly and turn clockwise to "OFF". Do not force.



EURO SIT



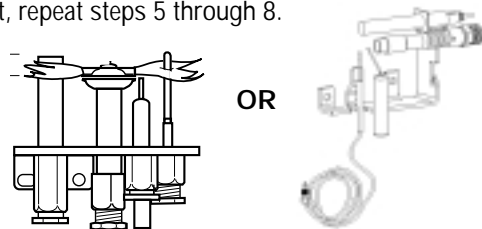
SIT NOVA



HONEYWELL

6. Wait five (5) minutes to clear out any gas. Then smell for gas, including near the floor. If you smell gas, **STOP!** Follow "B" in the safety information above on this page. If you don't smell gas, go to the next step.
7. Remove glass door before lighting pilot. (See Glass Frame Removal in manual).
8. Visibly locate pilot by the main burner.
9. Turn knob on gas control counterclockwise to "PILOT".

10. Push the control knob all the way in and hold. Immediately light the pilot by repeatedly depressing the piezo spark ignitor until a flame appears. Continue to hold the control knob in for about one (1) minute after the pilot is lit. Release knob and it will pop back up. Pilot should remain lit. If it goes out, repeat steps 5 through 8.



- If knob does not pop up when released, stop and immediately call your service technician or gas supplier.
 - If after several tries, the pilot will not stay lit, turn the gas control knob to "OFF" and call your service technician or gas supplier.
11. Replace glass door.
 12. Turn gas control knob to "On" position.
 13. For RN/RP appliances turn the On/Off switch to "On" position or set thermostat to desired setting.
 14. Turn on all electrical power to the fireplace.

TO TURN OFF GAS TO FIREPLACE

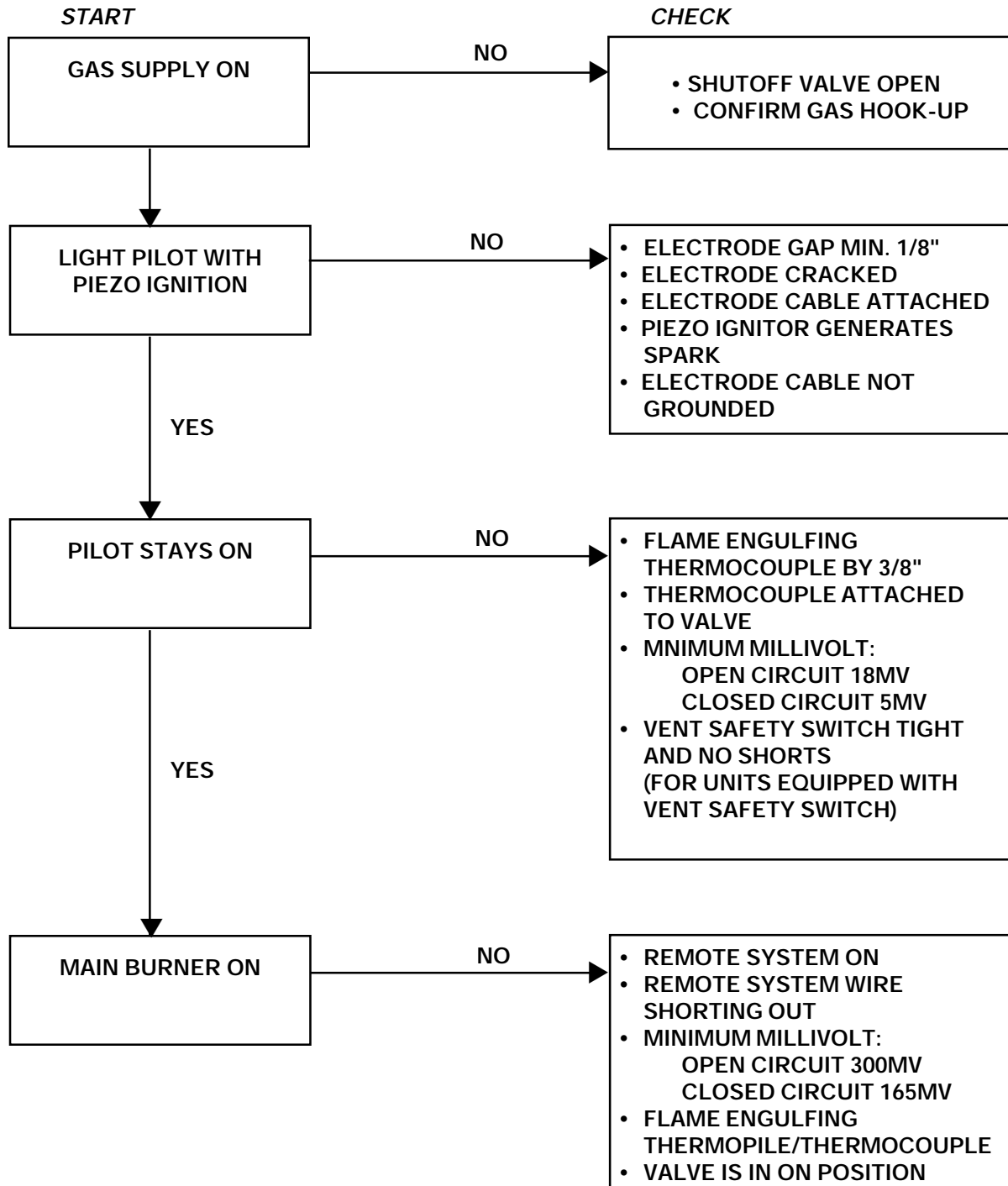
1. Turn the On/Off switch to Off position or set the thermostat to lowest setting.
2. Turn off all electric power to the fireplace if service is to be performed.
3. Open control access panel.
4. Push in gas control knob slightly and turn clockwise to "OFF". Do not force.
5. Close control access panel.

TROUBLE SHOOTING THE GAS CONTROL SYSTEM

SIT 820 NOVA MILLIVOLT VALVE

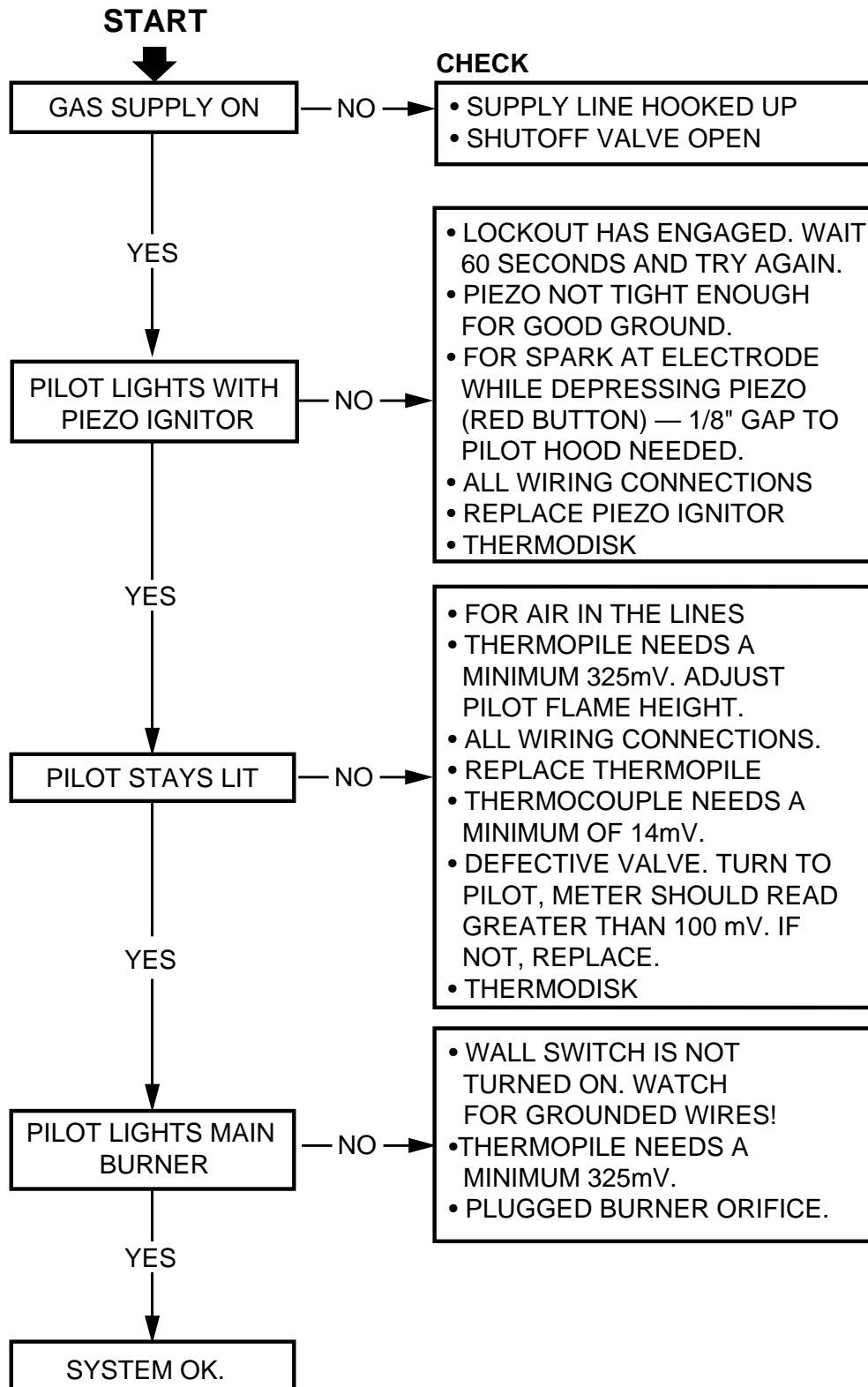


GLASS DOOR TO BE REMOVED BEFORE SERVICE WORK



TROUBLE SHOOTING THE GAS CONTROL SYSTEM

HONEYWELL MILLIVOLT VALVE

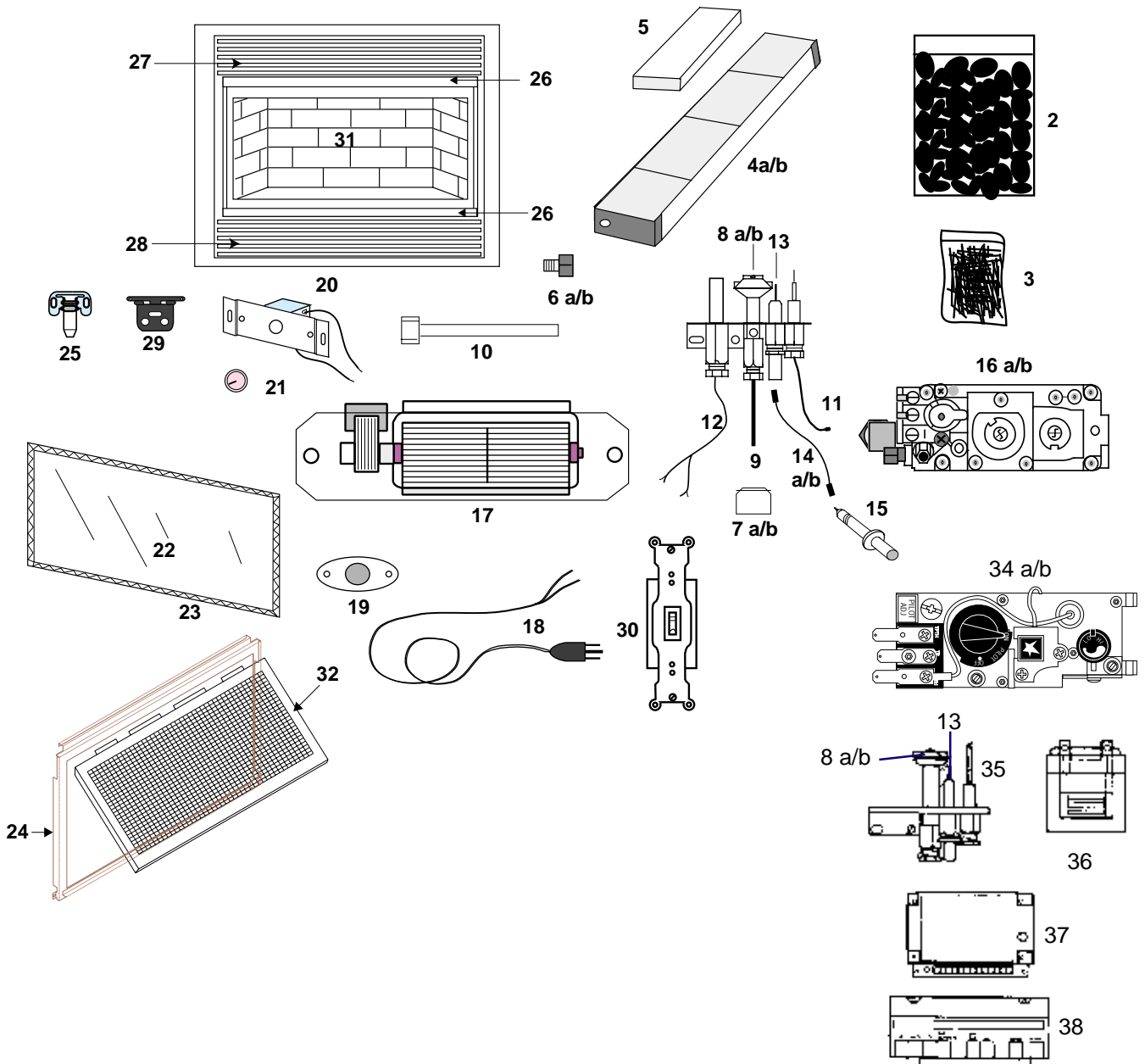


REPLACEMENT PARTS LIST - REAR BUILDER SERIES

	DESCRIPTION	DBR33	DBR36	DBR39
1.	Log Set Complete	10000470	10000023	10000024
1a.	Log Front Left	BA2	BB6	BC5
1b.	Log Front Right	BA3	BB7	BC6
1c.	Log Rear	BA4	BB8	BC7
1d.	Log Top Left	BA5	BB9	BC8
1e.	Log Top Right	BA6	BB10	BC9
2.	Lava Rock (Package)	10001454	10001454	10001454
3.	Ember (Package)	51915	51915	51915
4a.	Burner with Tiles Assy (Nat)	10000479	10000031	10000033
4b.	Burner with Tiles Assy (Prop)	10000480	10000032	10000034
5.	Ceramic Tile (Single)	57803	57803	57803
6a.	Orifice Burner (Nat)	SEE RATING PLATE FOR ORIFICE SIZE		
6b.	Orifice Burner (Prop)	SEE RATING PLATE FOR ORIFICE SIZE		
7a.	Orifice Pilot (Nat)	54273	54273	54273
7b.	Orifice Pilot (Prop)	54272	54272	54272
8a.	Pilot Assembly Nova (Nat)	54219	54219	54219
8b.	Pilot Assembly Nova (Prop)	54221	54221	54221
9.	Pilot Tubing w/ fittings	53211	53211	53211
10.	Manifold Tubing w/ fittings	57318	57318	57318
11.	Thermocouple	53373	53373	53373
12.	Thermopile	51827	51827	51827
13.	Electrode Ignitor Nova	52465	52465	52465
14a.	Cable Ignitor (RN/RP)	53194	53194	53194
14b.	Cable Ignitor (EN/EP)	10000696	10000696	10000696
15.	Ignitor Piezzo	52464	52464	52464
16a.	Valve Nova 820 (RN)	52677	52677	52677
16b.	Valve Nova 820 (RP)	52678	52678	52678
17.	Fan with bracket	54103	54103	54103
18.	Electrical Cord (6ft)	51865	51865	51865
19.	Fan Temperature Sensor	51704	51704	51704
20.	Speed Control	51738	51738	51738
21.	Speed Control Knob	51882	51882	51882
22.	Glass with Gasket	10000481	55686	57437
23.	Gasket Glass	57317	57317	57317
24.	Frame Window	53690	54113	54363
25.	Clamp Frame Window	54174	54174	54174
26.	Trim Frame Window (PB) (w/2 magnets)	55005	57480	57483
27.	Top Louvre Assembly	10000292	10000037	10000039
28.	Bottom Louvre Assembly	10000293	10000038	10000040
29.	Access Door Hinge	52356	52356	52356
30.	Remote Switch	51842	51842	51842
31.	Ceramic Refractory Lining Kit (Optional)	33BDVCR	36BDVCR	39BDVCR
32.	Screen Kit (Optional)	33BDVTKS	36BDVTKS	39BDVTKS
33.	Remote Switch Kit (Not Shown)	53875	53875	53875
34a.	Valve Honeywell (RN)	10001782	10001782	10001782
34b.	Valve Honeywell (RP)	10001759	10001759	10001759
35.	Sensing Electrode (EN or EP)	57886	57886	57886
36.	Transformer (EN or EP)	7522409	7522409	7522409
37.	Ignition Device from Synetek (EN or EP)	57899	57899	57889
38.	Ignition Device from Honeywell (EN or EP)	20000005	20000005	20000005
39.	Wire Harness (EN/EP) Synetek (Not Shown)	10000417	10000417	10000417
40.	Wire Harness (EN/EP) Honeywell (Not Shown)	10000609	10000609	10000609

REPLACEMENT PARTS - REAR BUILDERS SERIES

FOR FIREPLACES EQUIPPED WITH SIT 820 MILLIVOLT GAS VALVE



#1 - COMPLETE LOG SET



DBR33

#1 - COMPLETE LOG SET



DBR36

#1 - COMPLETE LOG SET



DBR39

OPTIONAL FAN KIT - FK12 and FK24

FK24 Fan Assembly

This auxiliary fan system increases the efficiency of the circulation of the heating air.

The FK24 fan kit allows variable speed control of the circulation fan and also incorporates a heat sensor in the circuit.

Specifications

115 Volt / 60 Hz / 56 Watts

Maintenance

The fan itself does not require regular maintenance, however periodic cleaning of the fan and the surrounding area is required.

Check the area under the control door (lower louvre assembly) and in front of the fan and wipe or vacuum this area at least once a month during the operating season.

Installation

The fan assembly and other components are supplied fully wired eliminating the need for a licensed electrician to carry out the installation

If hard wiring the fan using Method B (following) we strongly recommend the use of a licensed electrician.

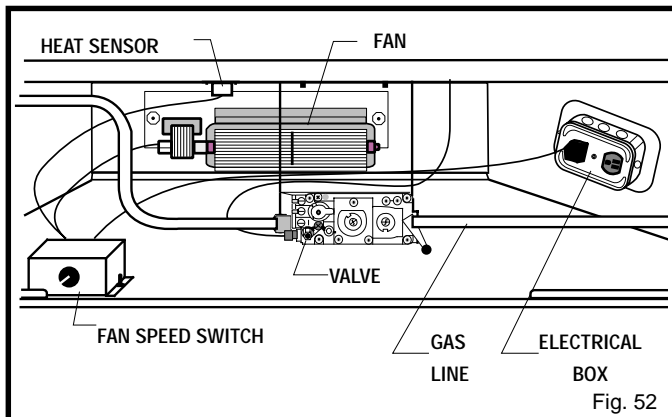
1. Open the lower Louvre assembly. Maneuver the fan & bracket assembly around the gas valve and lines to locate the unit onto the screw studs on the back of the fireplace
2. Install the thermal sensor under the bottom of the firebox, locating it over the two 10 mm studs and secure it with nuts.
3. Locate the fan speed control unit. This can be fitted behind the lower louvre assembly as in Fig. 52 or located remotely in a conveniently located wall mounted electrical box. Remote location of the speed control will require suitable extension of the component wiring.
4. The power supply may be connected in 2 ways:

Method A

Route the 6' lead fitted to the unit to a conveniently located wall socket.

Method B

The EB1 receptacle box (Pt. # ZA1200) may be hard wired into the house supply. The fan lead is then plugged into the EB1 box.



FK12

This auxiliary fan system increases the efficiency of the circulation of the heating air.

The FK12 Fan Assembly is a fixed speed fan system and does not allow for variable speed control. It does not use the speed control unit or the heat sensor used in the FK24 Kit.

Specifications

115 Volts / 60 Hz / 56 Watts.

Maintenance

The fan itself does not require regular maintenance, however periodic cleaning of the fan and the surrounding area is required.

Check the area under the control door (lower louvre assembly) and in front of the fan and wipe or vacuum this area at least once a month during the operating season.

Installation

The fan assembly is supplied fully wired eliminating the need for a licensed electrician to carry out the installation

1. Open the lower Louvre assembly. Maneuver the fan & bracket assembly around the gas valve and lines to locate the unit against the back wall of the appliance, resting on the base.
2. With the protective cover removed from the self-adhesive 'Velcro' strips apply mild pressure to the fan & bracket unit to secure the strips to the metal panels. No further securing is required.
3. Power to the fan can be supplied by plugging the supplied lead into a conveniently located wall socket or by using a hard-wired EB1 connector box.

WIRING INSTRUCTIONS



The fireplace, when installed, must be electrically connected and grounded in accordance with local codes or, in the absence of local codes, with the current CSA C22.1 Canadian Electric Code.



For U.S.A. installations follow the local codes and the national electrical code ANSI/NFPA No 70.



Should this fan require servicing or repair the power supply must be disconnected. For rewiring of any replacement parts see Fig. 51



Any electrical re-wiring of this fan must be done by a licensed electrician.

Method A (Not using EB1, Fig. 54)

1. Connect the ground wire of the power supply line to the ground stud located on the base of the firebox.
2. Connect the black wire of the supply line to either terminal of the speed control unit.
3. The second terminal of the speed control unit is attached to either terminal of the thermal sensor.
4. The second terminal of the thermal sensor is connected to either terminal of the fan motor.
5. The second fan motor terminal is connected to the white wire of the supply line.

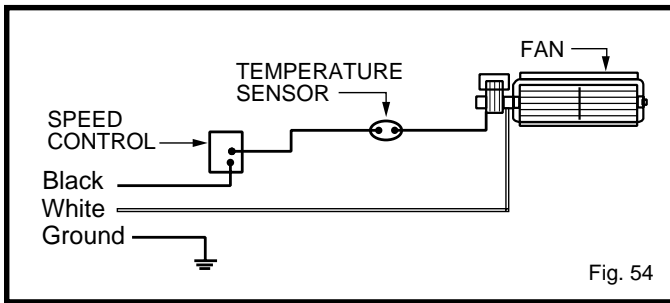


Fig. 54

Method B (Using the EB-1 Box.)

For instruction on wiring the EB-1 Electrical Junction Box see the chapter EB-1 Electrical Box.

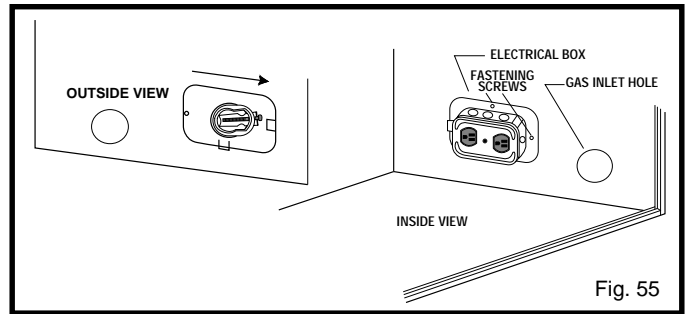


Fig. 55

OPTIONAL EB1 (Receptacle) Hook-Up

The EB-1 Electrical junction box when fitted and correctly wired gives an easy and convenient power outlet for the optional fan kit.



If the EB-1 electrical junction box is being fitted the fireplace must be electrically connected and grounded in accordance with local codes or, in the absence of local codes, with the current CSA C22.1 Canadian Electric Code.



For U.S.A. installations follow the local codes and the national electrical code ANSI/NFPA No 70.



It is strongly recommended that the wiring of the EB-1 Electrical Junction Box be carried out by a licensed electrician.



Ensure that the power to the supply line has been disconnected before commencing this procedure.

To install and connect the EB-1 box to the house electrical supply follow the steps below.

1. Disconnect the power to the electrical supply line.
2. Remove the cover plate over the EB-1 knock-out the side of the appliance, retain the screw that held the plate.
3. Remove the front cover of the EB-1 box.
4. Remove the plug socket assembly from the EB-1 box.
5. Feed the electrical supply line in through the EB-1 opening in the side of the appliance and then through the back of the EB-1 assembly, Fig 55.
6. Connect the ground wire of the supply line to the green screw of the socket assembly.
7. Connect the white wire of the power line to the chrome screw of the socket assembly.
8. Connect the black wire of the power supply line to the brass screw (polarized) of the socket assembly.
9. Refit the socket assembly back into the electrical box and replace the front cover plate. Secure the cable with the clamp on the outside of the EB-1 base plate and refit the EB-1 assembly to the appliance with the screw removed in step 2.

OPTIONAL BAY WINDOW INSTALLATION for DBR36/DBR39

1. Remove existing bottom louvre and hinges from fireplace. (Set aside the two (2) self tapping screws).
2. Remove existing top louvre from fireplace.
3. Remove two (2) pieces of ceramic refractory from Bay Frame Window; considering that these are very fragile pieces handle them with special care!
4. Assembly Bay Window Frame to Bottom Bay Louvre by using four (4) machine screws (from top to bottom), four (4) nuts (in the bottom) and four (4) spacers (all supplied with the kit) through the existing four (4) holes in the bottom of the Bay Window Frame and in the top of the Bottom Bay Louvre. Spacers to be placed between the Bay Window Frame and the Bottom Bay Louvre.
5. Insert two (2) pieces of ceramic refractory into the Bay Window Frame as per drawing below.
6. Hang Bay Window Frame assembly over existing glass frame.



Do not remove existing glass frame

7. Re-install top louvre assembly.



Remove all plastic from brass trims

8. Open the Bottom Bay Louvre door and screw two (2) self tapping screws (as per step 1 above) to the bottom of the unit where the hinges were.
9. Bottom brass trim is removable when unit is installed with marble or tile surround which cover the fireplace bottom.

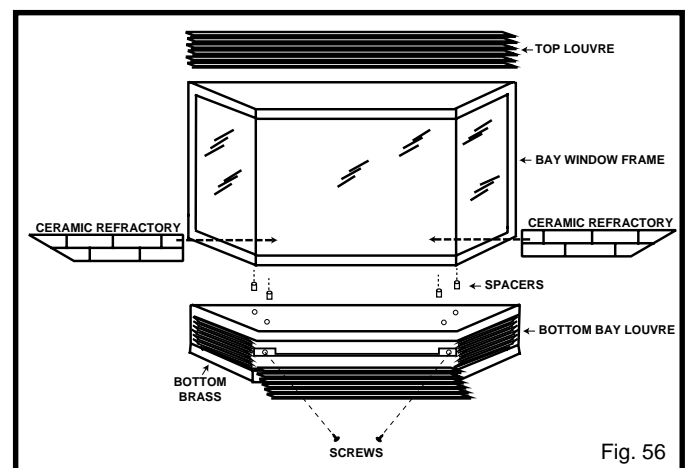


Fig. 56

OPTIONAL SCREEN KIT INSTALLATION



WARNING: DO NOT install the frame window screen with the fireplace ON

To install the Frame Window Screen:

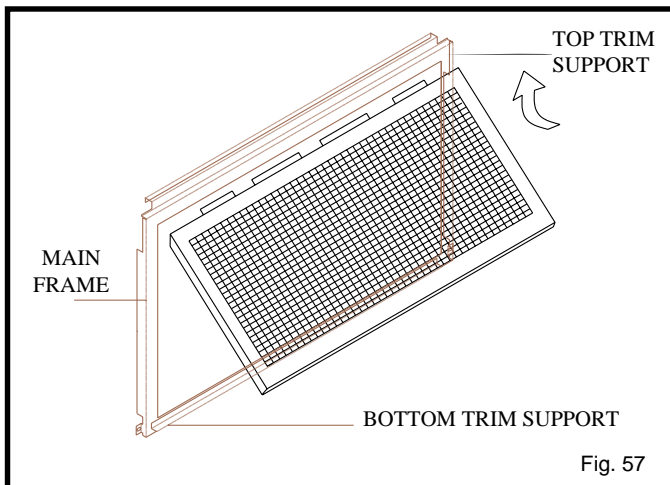
1. Slide the top edge of the frame window screen through the slots beneath the main frame window top trim support.
2. Make the frame window screen parallel to the main frame window.
3. Slide the bottom edge of the frame window screen into the space that exist between the glass and the main frame window bottom trim support.

To remove the Frame Window Screen:



WARNING: If the fireplace is ON, turn it OFF and wait until the temperature of the window screen is cool enough to handle.

1. Lift the frame window screen moving it parallel to the glass.
2. Move the bottom side of the frame window screen away from the glass.
3. Slide the frame window screen down from the top trim support.



OPTIONAL CERAMIC REFRACTORY INSTALLATION

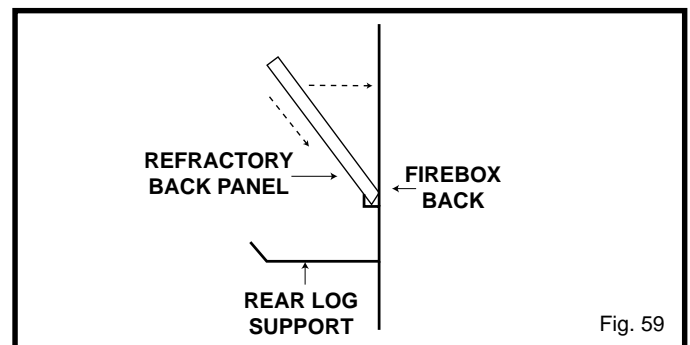
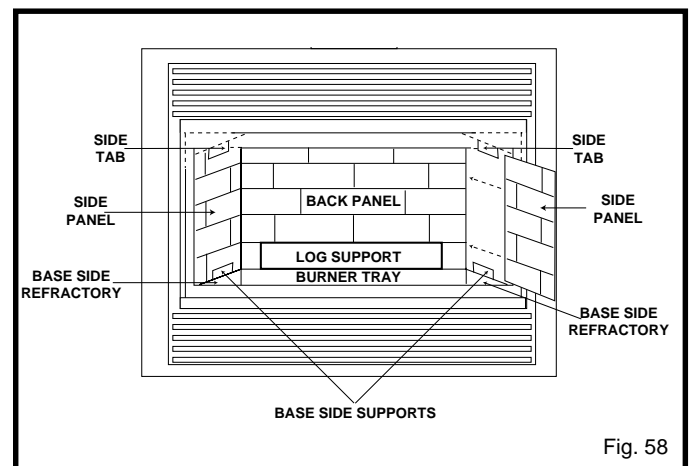
DBR33/DBR36/DBR39

1. Remove glass and logs.
2. Place refractory side supports so that the hole fits over the screw head on the firebox floor.
3. Place refractory base sides on the floor of the firebox.
4. Place back refractory - small brick edge down into support (See Fig. 59).
5. Attach adjustable tabs, packed with refractory, onto the studs found on the top of the firebox using the 2-10/24 nuts provided.
6. Slide side panels into side supports and behind side tab and adjust, fitting the ceramic tight to the side of the firebox. Tighten nuts. Fig. 58.



Mortar lines must be lined up.

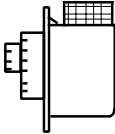
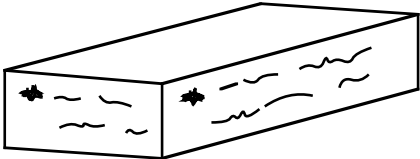
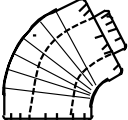
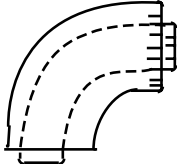
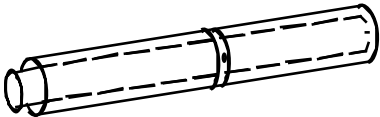
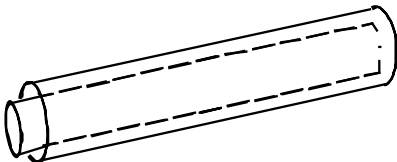
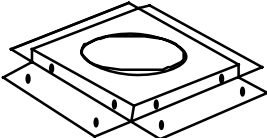
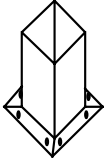
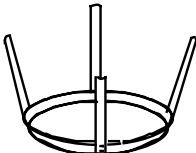
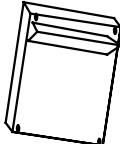
7. Place refractory base centre in front of the burner.



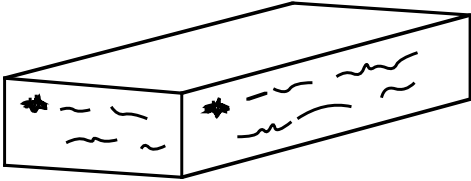
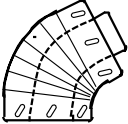
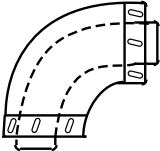
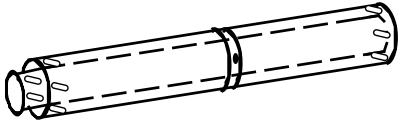
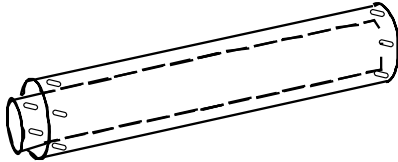
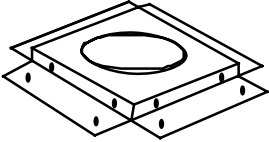
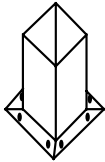
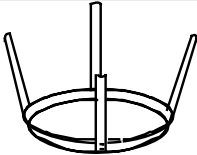
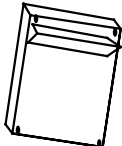
OPTIONAL REMOTE CONTROL

- MRC1 - On/Off Button Remote Control
- MRC2 - Temperature Control Remote
- MRC3 - Temperature Control w/digital display & 24 hour programmable clock

CRIMPED ENDS VENTING COMPONENTS

	<p>7DVRVT - Through the wall Rear Vent Termination</p>
	<p>Starter Kit - Model 7DVSK - Sidewall Venting</p> <p>Starter Kit - Model 7TDVSKV - Vertical Venting for 7DVSKV-A order 1/12 to 6/12 roof pitch for 7DVSKV-B order 7/12 to 12/12 roof pitch for 7DVSKV-F order flat roof</p> <p>Starter Kit - Model 7TDVSKS -Snorkel Kit for Below Grade Installation</p>
	<p>45° elbow kit</p> <p>7DVT45 for Vertical Installation Offsets</p> <p>7DVR45 for Rear Vent Application</p>
	<p>90° transition elbow kit</p> <p>7TDVRT90 for Vertical Sidewall Applications or thru-the-roof.</p>
	<p>Telescopic vent sections</p> <p>7DVP610 - 6" to 10" adjustable length</p> <p>7DVP1018 - 10" to 18" adjustable length</p> <p>7DVP1864 - 18" to 34" adjustable length</p> <p>7DVP3466 - 34" to 66" adjustable length</p>
	<p>Pipe sections for vertical or horizontal venting</p> <p>Model 7DVP8" - 4 per box</p> <p>Model 7DVP12" - 4 per box</p> <p>Model 7DVP24" - 4 per box</p> <p>Model 7DVP36"</p> <p>Model 7DVP48"</p>
	<p>Firestop Spacer</p> <p>Model 7DVFS</p>
	<p>Attic Insulation Shield</p> <p>Model 7DVAIS</p>
	<p>Vertical/Horizontal Combination Offset Support</p> <p>Model 7DVCS</p>
	<p>7DVSS Siding Shield (to protect siding)</p>

TWIST LOCK VENTING COMPONENTS

	<p>Starter Kit -Model 7TDVSK - Sidewall Venting</p> <p>Starter Kit - Model 7TDVSKV - Vertical Venting for 7TDVSKV-A order 1/12 to 6/12 roof pitch for 7TDVSKV-B order 7/12 to 12/12 roof pitch for 7TDVSKV-F order flat roof</p> <p>Starter Kit - Model 7TDVSKS -Snorkel Kit for Below Grade Installation</p>
	<p>45° elbow kit 7TDV45 for Vertical Installation Offsets 7TDR45 for Rear Vent Application</p>
	<p>90° transition elbow kit 7TDVRT90 for Vertical Sidewall Applications or thru-the-roof.</p>
	<p>Telescopic vent sections 7TDVP1218 - 12" to 18" adjustable length 7TDVP3566 - 35" to 64" adjustable length</p>
	<p>Pipe sections for vertical or horizontal venting Model 7TDVP8" Model 7TDVP12" Model 7TDVP24" Model 7TDVP36" Model 7TDVP48"</p>
	<p>Firestop Spacer Model 7DVFS</p>
	<p>Attic Insulation Shield Model 7DVAIS</p>
	<p>Vertical/Horizontal Combination Offset Support Model 7DVCS</p>
	<p>7DVSS Siding Shield (to protect siding)</p>

LIMITED WARRANTY & EXTENDED LIFE TIME PROTECTION

For Gas Appliance Products *

BASIC WARRANTY:

The CFM Majestic, Inc.™ (hereinafter referred to collectively as the "Company") warrants that your new Vermont Castings Gas Appliance is free from manufacturing and material defects for a period of one year from date of installation, subject to the following conditions and limitations.

EXTENDED LIFE TIME WARRANTY:

The heat exchanger, combustion chamber and ceramic burner parts of every *CFM Majestic, Inc. product are warranted for life to the original owner, subject to proof of purchase and the following conditions and limitations:

1. This new **CFM Majestic, Inc.** product must be installed by a competent, authorized service contractor. It must be installed and operated at all times in accordance with the Installation and Operating instructions furnished with the product. Any alteration, willful abuse, accident, or misuse of the product shall nullify this warranty.
2. This warranty is non-transferrable, and is made to the original owner, provided that the purchase was made through an authorized supplier of the Company.
3. This warranty is limited to the repair or replacement of part(s) found to be defective in material or workmanship, provided that such part(s) have been subjected to normal conditions of use and service, after said defect is confirmed by the Company's inspection.
4. The Company may, at its discretion, fully discharge all obligations with respect to this warranty by refunding the wholesale price of the defective part(s).
5. Any installation, labour, construction, transportation, or other related costs/expenses arising from defective part(s), repair, replacement, or otherwise of same, will not be covered by this warranty, nor shall the Company assume responsibility for same. Further, the Company will not be responsible for any incidental, indirect, or consequential damages, except as provided by law.
6. All other warranties - expressed or implied - with respect to the product, its components and accessories, or any obligations/liabilities on the part of the Company are hereby expressly excluded.
7. The Company neither assumes, nor authorizes any third party to assume, on its behalf, any other liabilities with respect to the sale of this **CFM Majestic, Inc.** product.
8. The warranties as outlined within this document do not apply to chimney components or other non **CFM Majestic, Inc.** accessories used in conjunction with the installation of this product.
9. **The Company will not be responsible for . . .**
 - a) Down drafts or spillage caused by environmental conditions such as near-by trees, buildings, roof tops, hills, or mountains.
 - b) Inadequate ventilation or negative air pressure caused by mechanical systems such as furnaces, fans, clothes dryers, etc.
10. **This warranty is void if:**
 - a) The fireplace has been operated in atmospheres contaminated by chlorine, fluorine or other damaging chemicals.
 - b) The fireplace is subjected to prolonged periods of dampness or condensation.
 - c) Any damage to the fireplace, combustion chamber, heat exchanger or other components due to water, or weather damage which is the result of, but not limited to, improper chimney/venting installation.
 - d) Any alteration, willful abuse, accident, or misuse of the product.

GLASS DOORS & BRASS PLATED PARTS

Glass doors are not warranted for breakage due to misuse or accident.

Brass parts should be cleaned with lemon oil **only**. Brass cleaners **cannot** be used. Mortar mix and masonry cleaners may corrode the brass finish. The Company will not be responsible for, nor will it warrant any brass parts which are damaged by external chemicals or down draft conditions.

IF WARRANTY SERVICE IS NEEDED . . .

- 1) Contact your supplier. Make sure you have your warranty, your sales receipt, and the model/serial number of your **CFM Majestic, Inc. product**.
- 2) **DO NOT ATTEMPT TO DO ANY SERVICE WORK YOURSELF.**

GARANTIE DE BASE:

The CFM Majestic, Inc. (aux présentes nommée la "Société") garantit votre nouveau foyer au gaz CFM Majestic, Inc. contre tous défauts de fabrication et de matières premières pour une période d'un an à compter de la date d'installation, sujet aux conditions et limitations suivantes.

GARANTIE A VIE PROLONGEE:

Les pièces de l'échangeur de chaleur, de la chambre à combustion et du brûleur en céramique de tout produit *CFM Majestic, Inc. sont garanties pour la vie de l'acheteur d'origine, le tout sujet à une preuve d'achat et aux conditions et limitations suivantes:

1. Ce nouveau produit **CFM Majestic, Inc.** doit être installé par un entrepreneur de service autorisé et compétent. Il doit être installé et utilisé en tout temps selon les instructions d'installation et de fonctionnement fournies avec le produit. Toute altération, abus volontaire, accident ou mauvais usage du produit annulera cette garantie.
2. Cette garantie n'est pas transférable et est offerte à l'acheteur au détail d'origine, à condition que l'achat soit effectué par l'entremise d'un détaillant autorisé de la Société.
3. Cette garantie est limitée à la réparation ou au remplacement de(des) pièce(s) trouvée(s) défectueuse(s) en matières premières ou main-d'oeuvre, à condition que lesdites pièces aient été sujettes aux conditions normales d'usage et de service, après que ledit défaut a été confirmé par une inspection par la Société.
4. La Société peut, à sa discrétion, se décharger entièrement de toutes obligations se rapportant à cette garantie en remboursant le prix de gros de la(des) pièce(s) défectueuse(s).
5. Tous les frais/dépenses d'installation, de main-d'oeuvre, de construction, de transport ou autres causés par une (des) pièce(s) défectueuse(s), une réparation, un remplacement ou autre, ne seront pas couverts sous cette garantie, et la Société n'assume aucune responsabilité pour ceux-ci. De plus, la Société ne pourra être tenue responsable pour tous dommages fortuits ou indirects sauf la ou prévu par la loi.
6. Toutes autres garanties, exprimées ou sous-entendues, en ce qui a trait au produit, ses composants et accessoires, ou toutes obligations/responsabilités de la part de la Société sont aux présentes expressément exclues.
7. La Société n'assume et n'autorise personne à assumer, en son nom, toutes responsabilités en ce qui a trait à la vente de ce produit **CFM Majestic, Inc.**
8. Les garanties, telles que décrites dans ce document, ne s'appliquent pas aux composants de cheminée ou aux autres accessoires non **CFM Majestic, Inc.** utilisés conjointement pour l'installation de ce produit.
9. **La Société n'encourra aucune responsabilité pour . . .**
 - a) Les refoulements de cheminées ou débordements causés par les conditions environnementales comme par les arbres, les édifices, les toits, les côtes ou les montagnes adjacents.
 - b) Une ventilation inadéquate ou une pression d'air négative causée par des systèmes mécaniques comme les fournaies, les ventilateurs, les sécheuses, etc.
10. **Cette garantie est nulle si:**
 - a) Le foyer a été utilisé dans une atmosphère contaminée par du chlore, du fluor ou tous autres produits chimiques.
 - b) Le foyer est assujéti à de longues périodes d'humidité ou de condensation.
 - c) Des dommages sont causés au foyer, à la chambre de combustion, à l'échangeur de chaleur ou aux autres composants par de l'eau ou par la température qui est le résultat mais sans y être limité, d'une mauvaise installation de cheminée/ventilation.
 - d) Toute altération, abus volontaire, accident ou mauvais usage du produit annulera cette garantie.

PORTES EN VERRE & PIÈCES PLAQUÉES LAITON

Les portes en verre ne sont pas garanties contre le bris causé par un mauvais usage ou un accident.

Les pièces en laiton devraient être nettoyées qu'avec de l'essence de citron. Les nettoyeurs de laiton ne peuvent pas être utilisés. La Société ne sera pas responsable pour, et ne garantit pas les pièces en laiton qui sont endommagées par des conditions chimiques externes ou de refoulement.

SI UN SERVICE SOUS GARANTIE EST REQUIS . . .

1. Communiquez avec votre détaillant. Assurez-vous que vous avez votre garantie, votre reçu de caisse ainsi que le numéro de modèle/série de votre produit **CFM Majestic, Inc.**
2. **NE TENTEZ PAS D'EFFECTUER DES REPARATIONS VOUS-MEME.**

CFM Majestic, Inc.

410 Admiral Blvd. • Mississauga, Ontario, Canada L5T 2N6 • 905-670-7885
www.vermontcastings.com

© Copyright
CFM Majestic, Inc.
10002788 6/00

Free Manuals Download Website

<http://myh66.com>

<http://usermanuals.us>

<http://www.somanuals.com>

<http://www.4manuals.cc>

<http://www.manual-lib.com>

<http://www.404manual.com>

<http://www.luxmanual.com>

<http://aubethermostatmanual.com>

Golf course search by state

<http://golfingnear.com>

Email search by domain

<http://emailbydomain.com>

Auto manuals search

<http://auto.somanuals.com>

TV manuals search

<http://tv.somanuals.com>