

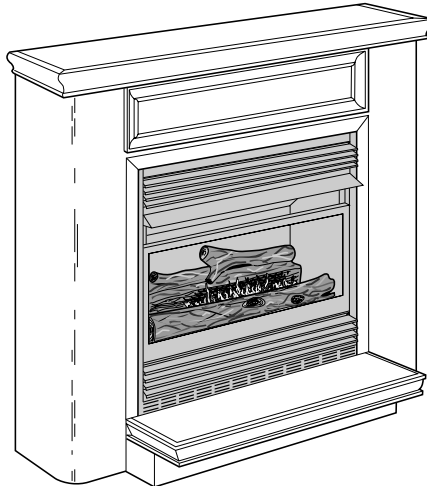
VANGUARD®

VENT-FREE NATURAL GAS COMPACT CLASSIC HEARTH® FIREPLACE OWNER'S OPERATION AND INSTALLATION MANUAL



14,000 to 26,000 Btu/Hr
with Thermostat

VMH26TN



Shown with Optional
Cabinet Mantel/Hearth
Base Accessory

WARNING: If the information in this manual is not followed exactly, a fire or explosion may result causing property damage, personal injury, or loss of life.

— Do not store or use gasoline or other flammable vapors and liquids in the vicinity of this or any other appliance.

— **WHAT TO DO IF YOU SMELL GAS**

- Do not try to light any appliance.
- Do not touch any electrical switch; do not use any phone in your building.
- Immediately call your gas supplier from a neighbor's phone. Follow the gas supplier's instructions.
- If you cannot reach your gas supplier, call the fire department.

— Installation and service must be performed by a qualified installer, service agency, or the gas supplier.

WARNING: Improper installation, adjustment, alteration, service, or maintenance can cause injury or property damage. Refer to this manual for correct installation and operational procedures. For assistance or additional information consult a qualified installer, service agency, or the gas supplier.

WARNING: This is an unvented gas-fired heater. It uses air (oxygen) from the room in which it is installed. Provisions for adequate combustion and ventilation air must be provided. Refer to *Air for Combustion and Ventilation* section on page 6 of this manual.

This appliance may be installed in an aftermarket* manufactured (mobile) home, where not prohibited by state or local codes.

*Aftermarket: Completion of sale, not for purpose of resale, from the manufacturer. (I.E. Installation of this product is permitted after the manufactured (mobile) home is sited)

This appliance is only for use with the type of gas indicated on the rating plate.

This appliance is not convertible for use with other gases.

Save this manual for future reference.

CONTENTS

SECTION	PAGE
Safety Information	2
Product Identification	4
Local Codes	4
Product Features	4
Unpacking	4
Assembly	5
Air for Combustion and Ventilation	6
Installation	10
Connecting to Gas Supply	16
Checking Gas Connections	17
Operating Fireplace	19
Inspecting Burner	22
Cleaning and Maintenance	24
Troubleshooting	24
Technical Service	28
Specifications	28
Service Hints	28
Replacement Parts	28
Accessories	29
Illustrated Parts List	30, 31
Warranty Information	32

SAFETY INFORMATION

WARNINGS

IMPORTANT: Read this owner's manual carefully and completely before trying to assemble, operate, or service this fireplace. Improper use of this fireplace can cause serious injury or death from burns, fire, explosion, electrical shock, and carbon monoxide poisoning.

DANGER

Carbon monoxide poisoning may lead to death!

Carbon Monoxide Poisoning: Early signs of carbon monoxide poisoning resemble the flu, with headaches, dizziness, or nausea. If you have these signs, the fireplace may not be working properly. **Get fresh air at once!** Have fireplace serviced. Some people are more affected by carbon monoxide than others. These include pregnant women, people with heart or lung disease or anemia, those under the influence of alcohol, and those at high altitudes.

Natural Gas: Natural gas is odorless. An odor-making agent is added to natural gas. The odor helps you detect a natural gas leak. However, the odor added to natural gas can fade. Natural gas may be present even though no odor exists.

Make certain you read and understand all warnings. Keep this manual for reference. It is your guide to safe and proper operation of this fireplace.

SAFETY INFORMATION

Continued

WARNINGS *Continued*

WARNING: Any change to this fireplace or its controls can be dangerous.

1. This appliance is only for use with the type of gas indicated on the rating plate. This appliance is not convertible for use with other gases.
2. If you smell gas
 - shut off gas supply
 - do not try to light any appliance
 - do not touch any electrical switch; do not use any phone in your building.
 - immediately call your gas supplier from a neighbor's phone. Follow the gas supplier's instructions
 - if you cannot reach your gas supplier, call the fire department
3. This fireplace shall not be installed in a bedroom or bathroom.
4. Never install the fireplace
 - in a recreational vehicle
 - where curtains, furniture, clothing, or other flammable objects are less than 36 inches from the front, top, or sides of the fireplace
 - as a fireplace insert
 - in high traffic areas
 - in windy or drafty areas
5. Do not use this fireplace as a wood-burning fireplace. Use only the logs provided with the fireplace.
6. Do not add extra logs or ornaments such as pine cones, vermiculite, or rock wool. Using these added items can cause sooting. Do not add lava rock around base. Rock and debris could fall into the control area of fireplace.
7. You must operate this fireplace with the fireplace screen in place. Make sure fireplace screen is in place before running fireplace.
8. This fireplace is designed to be smokeless. If logs ever appear to smoke, turn off fireplace and call a qualified service person. *Note:* During initial operation, slight smoking could occur due to log curing and fireplace burning manufacturing residues.
9. Do not allow fans to blow directly into the fireplace. Avoid any drafts that alter burner flame patterns. Ceiling fans can create drafts that alter burner flame patterns. Altered burner patterns can cause sooting.
10. This fireplace needs fresh air ventilation to run properly. This fireplace has an oxygen depletion sensor (ODS) pilot light safety system. The ODS shuts down the fireplace if not enough fresh air is available. See *Air for Combustion and Ventilation*, pages 6 through 9. If fireplace keeps shutting off, see *Troubleshooting*, pages 24 through 27.
11. Do not run fireplace
 - where flammable liquids or vapors are used or stored.
 - under dusty conditions.
12. Do not use this fireplace to cook food or burn paper or other objects.
13. Never place any objects in the fireplace or on logs.
14. Fireplace front and screen becomes very hot when running fireplace. Keep children and adults away from hot surfaces to avoid burns or clothing ignition. Fireplace will remain hot for a time after shut-down. Allow surfaces to cool before touching.
15. Carefully supervise young children when they are in same room with fireplace.
16. Do not use fireplace if any part has been under water. Immediately call a qualified service technician to inspect the room fireplace and to replace any part of the control system and any gas control which has been under water.
17. Turn off and unplug fireplace and let cool before servicing. Only a qualified service person should service and repair fireplace.
18. Operating fireplace above elevations of 4,500 feet could cause pilot outage.
19. Do not use a blower insert, heat exchanger insert, or other accessory not approved for use with this fireplace.
20. Do not operate fireplace if any log is broken. Do not operate fireplace if a log is chipped (dime-sized or larger).

PRODUCT IDENTIFICATION

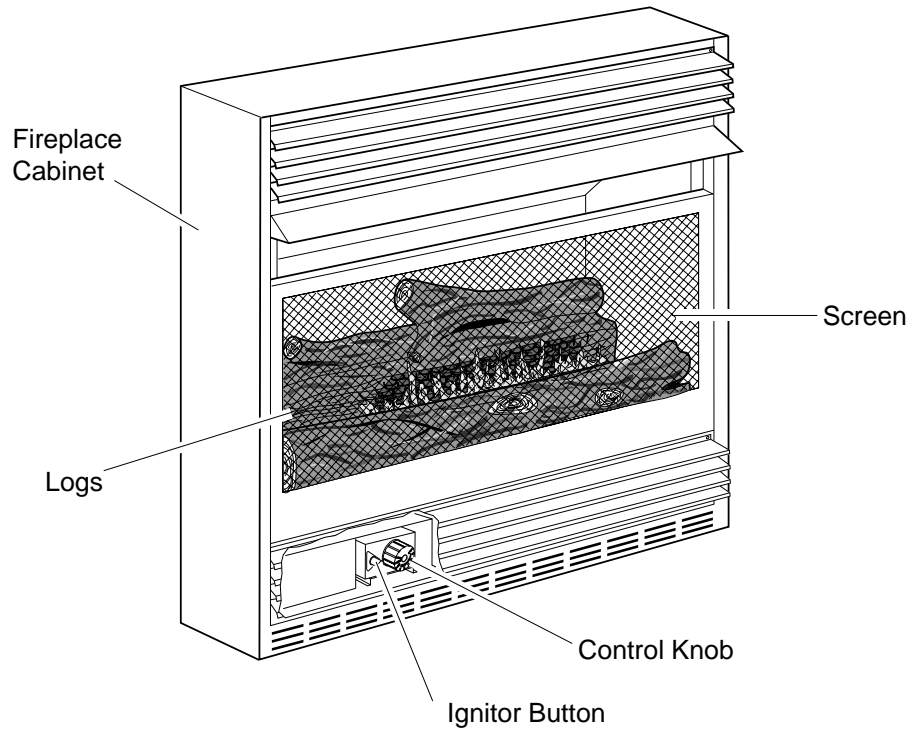


Figure 1 - Vent-Free Natural Gas Compact Fireplace

LOCAL CODES

Install and use fireplace with care. Follow all local codes. In the absence of local codes, use the latest edition of The National Fuel Gas Code ANSI Z223, also known as NFPA 54*.

*Available from:

American National Standards Institute, Inc.
1430 Broadway
New York, NY 10018

National Fire Protection Association, Inc.
Batterymarch Park
Quincy, MA 02269

PRODUCT FEATURES

Safety Pilot

This fireplace has a pilot with an Oxygen Depletion Sensor Shutoff System (ODS). The ODS/pilot is a required feature for vent-free room fireplaces. The ODS/pilot shuts off the fireplace if there is not enough fresh air.

Piezo Ignition System

This fireplace has a piezo ignitor. This system requires no matches, batteries, or other sources to light fireplace.

Thermostatic Heat Control

This fireplace has a thermostat sensing bulb and a control valve. The thermostat will automatically modulate the heat output to maintain a consistent room temperature. This results in greater fireplace comfort. This can also result in lower gas bills.

UNPACKING

1. Remove log box and fireplace from carton. The hood is not attached.
2. Remove all protective packaging applied to fireplace for shipment.
3. Make sure your fireplace includes one hardware packet.
4. Check fireplace for any shipping damage. If fireplace is damaged, promptly inform dealer where you bought fireplace.

ASSEMBLY

WARNING

Always have branch support and screen in place before operating fireplace. This prevents excessive temperatures on fireplace surfaces.

ASSEMBLING FIREPLACE

Tools Required: Phillips screwdriver, 5/16" hex wrench, and slotted screwdriver

Installing Log

1. Remove back log, branch, and hood from log box. Discard protective packaging.
2. Remove two shipping screws above screen (see Figure 2).
3. Lift screen up and pull out to remove.
4. An optional blower is available. See *Accessories*, page 29. Install optional blower now. Follow installation instructions provided with blower.
5. Gently place back log on burner support (see Figure 2). The log should fit flat against top of burner support. Place two #10 one-inch-long screws through burner support into the log and tighten. Place branches on branch support (see Figure 2).
6. Reattach screen by placing the notches in the screen frame over the shoulder screws and pushing down.

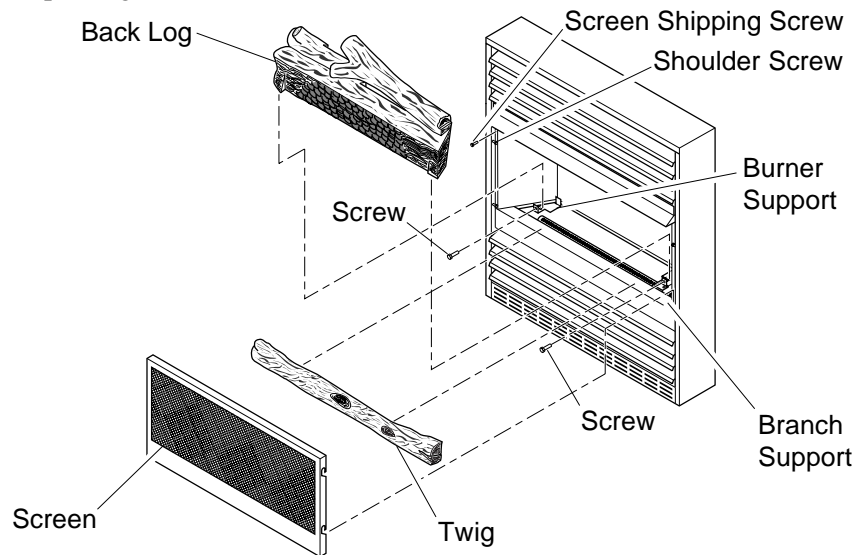


Figure 2 - Assembling Fireplace

WARNING

Failure to position the parts in accordance with these diagrams or failure to use only parts specifically approved with this fireplace may result in property damage or personal injury

Assembling Hood

1. Locate four black phillips sheet metal screws from the hardware packet.
2. Place hood over top edge of firebox wrapper.
3. Attach screws (see Figure 3).

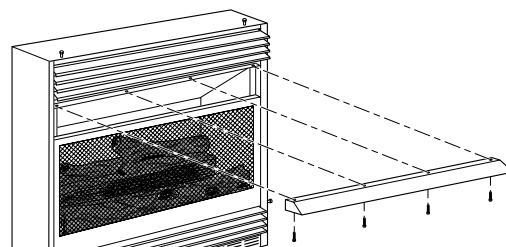


Figure 3 - Assembling Hood

AIR FOR COMBUSTION AND VENTILATION

WARNING

This heater shall not be installed in a confined space unless provisions are provided for adequate combustion and ventilation air. Read the following instructions to insure proper fresh air for this and other fuel-burning appliances in your home.

Today's homes are built more energy efficient than ever. New materials, increased insulation, and new construction methods help reduce heat loss in homes. Home owners weather strip and caulk around windows and doors to keep the cold air out and the warm air in. During heating months, home owners want their homes as airtight as possible.

While it is good to make your home energy efficient, your home needs to breathe. Fresh air must enter your home. All fuel-burning appliances need fresh air for proper combustion and ventilation.

Exhaust fans, fireplaces, clothes dryers, and fuel burning appliances draw air from the house to operate. You must provide adequate fresh air for these appliances. This will insure proper venting of vented fuel-burning appliances.

PROVIDING ADEQUATE VENTILATION

The following is excerpts from *National Fuel Gas Code. NFPA 54/ANSI Z223.1, Section 5.3, Air for Combustion and Ventilation.*

All spaces in homes fall into one of the three following ventilation classifications:

1. Unusually Tight Construction; 2. Unconfined Space; 3. Confined Space.

The information on pages 6 through 9 will help you classify your space and provide adequate ventilation.

Unusually Tight Construction

The air that leaks around doors and windows may provide enough fresh air for combustion and ventilation. However, in buildings of unusually tight construction, you must provide additional fresh air.

Unusually tight construction is defined as construction where:

- a. walls and ceilings exposed to the outside atmosphere have a continuous water vapor retarder with a rating of one perm (10^{-6} per-pa-m²) or less with openings gasketed or sealed *and*
- b. weather stripping has been added on openable windows and doors *and*
- c. caulking or sealants are applied to areas such as joints around window and door frames, between sole plates and floors, between wall-ceiling joints, between wall panels, at penetrations for plumbing, electrical, and gas lines, and at other openings.

If your home meets all of the three criteria above, you must provide additional fresh air. See *Ventilation Air From Outdoors*, page 9.

If your home does not meet all of the three criteria above, proceed to page 7.

Confined and Unconfined Space

The National Fuel Gas Code (*ANSIZ223.1, 1992 Section 5.3*) defines a confined space as a space whose volume is less than 50 cubic feet per 1,000 Btu per hour (4.8 m³ per kw) of the aggregate input rating of all appliances installed in that space and an unconfined space as a space whose volume is not less than 50 cubic feet per 1,000 Btu per hour (4.8 m³ per kw) of the aggregate input rating of all appliances installed in that space. Rooms communicating directly with the space in which the appliances are installed*, through openings not furnished with doors, are considered a part of the unconfined space.

* Adjoining rooms are communicating only if there are doorless passageways or ventilation grills between them.

AIR FOR COMBUSTION AND VENTILATION

Continued

DETERMINING FRESH-AIR FLOW FOR FIREPLACE LOCATION

Determining if You Have a Confined or Unconfined Space

Use this worksheet to determine if you have a confined or unconfined space.

Space: Includes the room in which you will install fireplace plus any adjoining rooms with doorless passageways or ventilation grills between the rooms.

1. Determine the volume of the space (length x width x height).

Length x Width x Height = _____ cu. ft. (volume of space)

Example: Space size 20 ft. (length) x 16 ft. (width) x 8 ft. (ceiling height) = 2560 cu. ft. (volume of space)

If additional ventilation to adjoining room is supplied with grills or openings, add the volume of these rooms to the total volume of the space.

2. Divide the space volume by 50 cubic feet to determine the maximum Btu/Hr the space can support.

_____ (volume of space) ÷ 50 cu. ft. = (Maximum Btu/Hr the space can support)

Example: 2560 cu. ft. (volume of space) ÷ 50 cu. ft. = 51.2 or 51,200 (maximum Btu/Hr the space can support)

3. Add the Btu/Hr of all fuel burning appliances in the space.

Vent-free fireplace	_____	Btu/Hr
Gas water heater*	_____	Btu/Hr
Gas furnace	_____	Btu/Hr
Vented gas heater	_____	Btu/Hr
Gas fireplace logs	_____	Btu/Hr
Other gas appliances*	+ _____	Btu/Hr
Total	= _____	Btu/Hr

Example:

Gas water heater		30,000	Btu/Hr
Vent-free fireplace	+	26,000	Btu/Hr
Total	=	56,000	Btu/Hr

* Do not include direct-vent gas appliances. Direct-vent draws combustion air from the outdoors and vents to the outdoors.

4. Compare the maximum Btu/Hr the space can support with the actual amount of Btu/Hr used.

_____ Btu/Hr (maximum the space can support)
 _____ Btu/Hr (actual amount of Btu/Hr used)

Example: 51,200 Btu/Hr (maximum the space can support)
 56,000 Btu/Hr (actual amount of Btu/Hr used)

The space in the above example is a confined space because the actual Btu/Hr used is more than the maximum Btu/Hr the space can support. You must provide additional fresh air.

Your options are as follows:

- A. Rework worksheet, adding the space of an adjoining room. If the extra space provides an unconfined space, remove door to adjoining room or add ventilation grills between rooms. See *Ventilation Air From Inside Building*, page 8.
- B. Vent room directly to the outdoors. See *Ventilation Air From Outdoors*, page 9.
- C. Install a lower Btu/Hr fireplace, if lower Btu/Hr size makes room unconfined.

If the actual Btu/Hr used is less than the maximum Btu/Hr the space can support, the space is an unconfined space. You will need no additional fresh air ventilation.

Continued

AIR FOR COMBUSTION AND VENTILATION

Continued

⚠ WARNING

If the area in which the heater may be operated is smaller than that defined as an unconfined space, provide adequate combustion and ventilation air by one of the methods described in the *National Fuel Gas Code, ANSI Z223.1, 1992, Section 5.3* or applicable local codes.

VENTILATION AIR

Ventilation Air From Inside Building

This fresh air would come from an adjoining unconfined space. When ventilating to an adjoining unconfined space, you must provide two permanent openings: one within 12" of the ceiling and one within 12" of the floor on the wall connecting the two spaces (see options 1 and 2, Figure 4). You can also remove door into adjoining room (see option 3, Figure 4). Follow the *National Fuel Gas Code NFPA 54/ANSI Z223.1, Section 5.3, Air for Combustion and Ventilation* for required size of ventilation grills or ducts.

⚠ WARNING

Rework worksheet, adding the space of the adjoining unconfined space. The combined spaces must have enough fresh air to supply all appliances in both spaces.

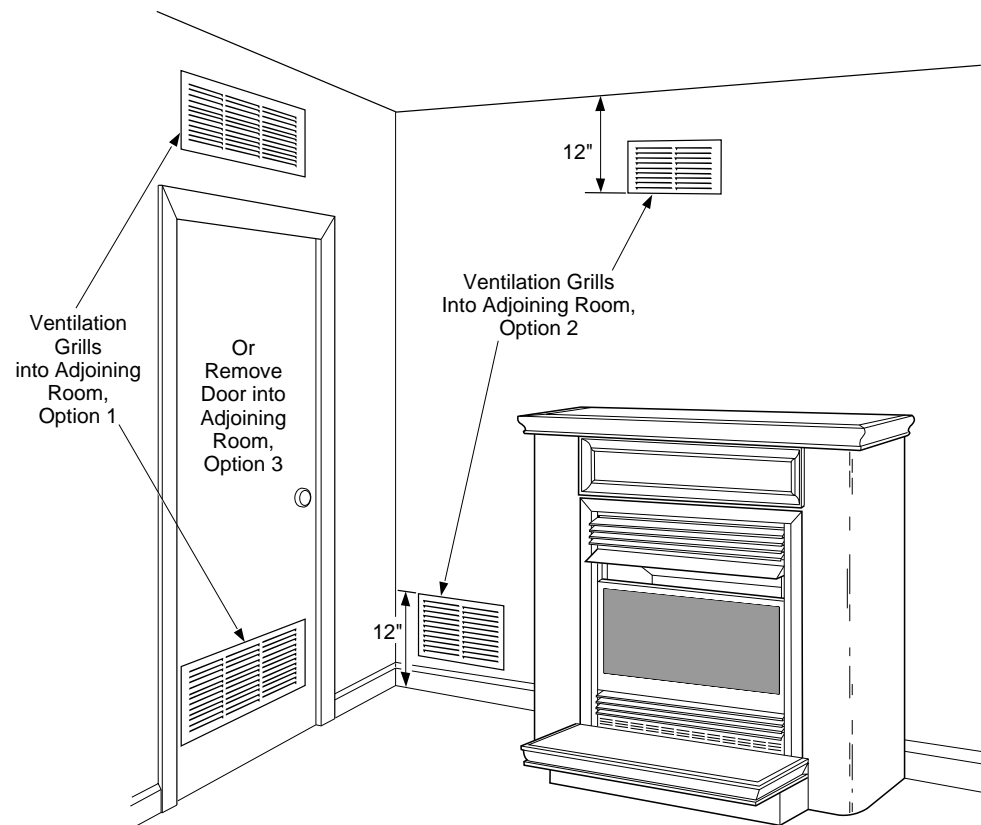


Figure 4 - Ventilation Air from Inside Building Shown with Optional Mantel

AIR FOR COMBUSTION AND VENTILATION

Continued

Ventilation Air From Outdoors

Provide extra fresh air by using ventilation grills or ducts. You must provide two permanent openings: one within 12" of the ceiling and one within 12" of the floor. Connect these items directly to the outdoors or spaces open to the outdoors. These spaces include attics and crawl spaces.

IMPORTANT: Do not provide openings for inlet or outlet air into attic if attic has a thermostat-controlled power vent. Heated air entering the attic will activate the power vent.

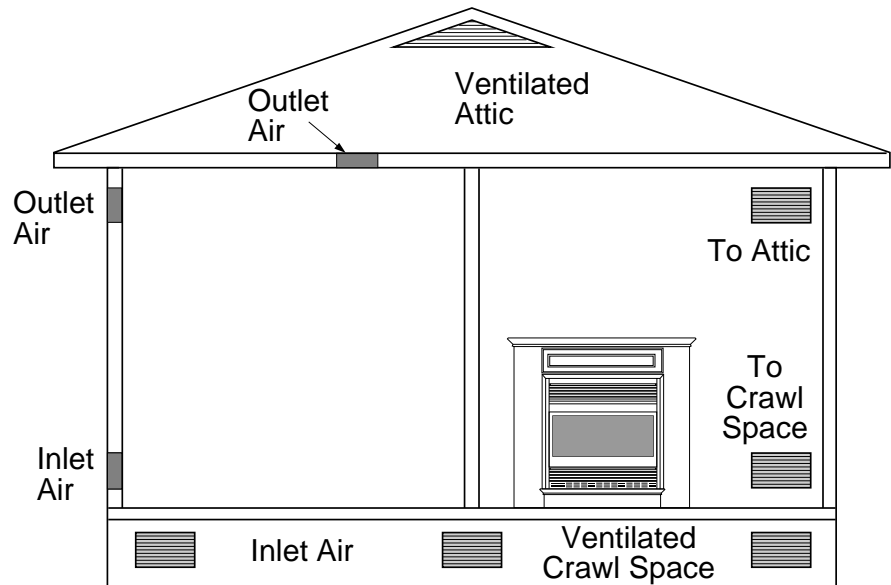


Figure 5 - Ventilation Air from Outdoors Shown with Optional Mantel

INSTALLATION

NOTICE

A qualified service person must install fireplace. Follow all local codes.

CHECK GAS TYPE

Use only natural gas. If your gas supply is not natural gas, do not install fireplace. Call dealer where you bought fireplace for proper type fireplace.

INSTALLATION ITEMS

Before installing fireplace, make sure you have the items listed below.

- piping (check local codes)
- sealant (resistant to propane/LP gas)
- manual shutoff valve *
- ground joint union
- test gauge connection * (see Figure 16, page 17)
- sediment trap
- tee joint
- pipe wrench

* An A.G.A. design-certified manual shutoff valve with 1/8" NPT tap is an acceptable alternative to test gauge connection. Purchase the optional A.G.A. design-certified manual shutoff valve from your dealer. See *Accessories*, page 29.

Note: If desired, purchase a four-sided brass trim kit for built-in installations. See *Accessories*, page 29.

LOCATING FIREPLACE

WARNING

Maintain the minimum clearances shown in Figures 6 and 7 (page 11). If you can, provide greater clearances from floor, ceiling, and joining wall.

You can recess firebox into the wall. You can also position fireplace in the optional cabinet or corner mantels. *IMPORTANT:* Only use optional cabinet or corner mantels specified in this manual. Purchase the optional mantel from your dealer (see *Accessories*, page 29).

WARNING

Never install the fireplace

- in a bedroom or a bathroom
- in a recreational vehicle
- where curtains, furniture, clothing, or other flammable objects are less than 36 inches from the front, top, or sides of the fireplace
- as a fireplace insert
- in high traffic areas
- in windy or drafty areas

CAUTION

This fireplace creates warm air currents. These currents move heat to wall surfaces next to fireplace. Installing fireplace next to vinyl or cloth wall coverings or operating fireplace where impurities in the air (such as tobacco smoke) exist, may discolor walls.

IMPORTANT: Vent-free fireplaces add moisture to the air. Although this is beneficial, installing fireplace in rooms without enough ventilation air may cause mildew to form from too much moisture. See *Air for Combustion and Ventilation*, pages 6 through 9.

INSTALLATION

Continued

CAUTION

If you install the fireplace in a home garage

- fireplace pilot and burner must be at least 18 inches above floor.
- locate fireplace where moving vehicle will not hit it.

For convenience and efficiency, install fireplace

- where there is easy access for operation, inspection, and service.
- in coldest part of room.

An optional blower kit is available from your dealer. See *Accessories*, page 29. If planning to use blower, locate fireplace near an electrical outlet.

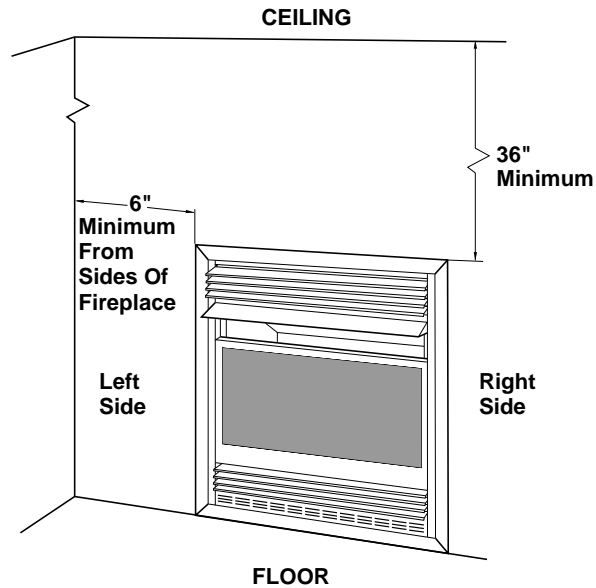


Figure 6 - Mounting Clearances As Viewed From Front of Fireplace Shown Built In The Wall

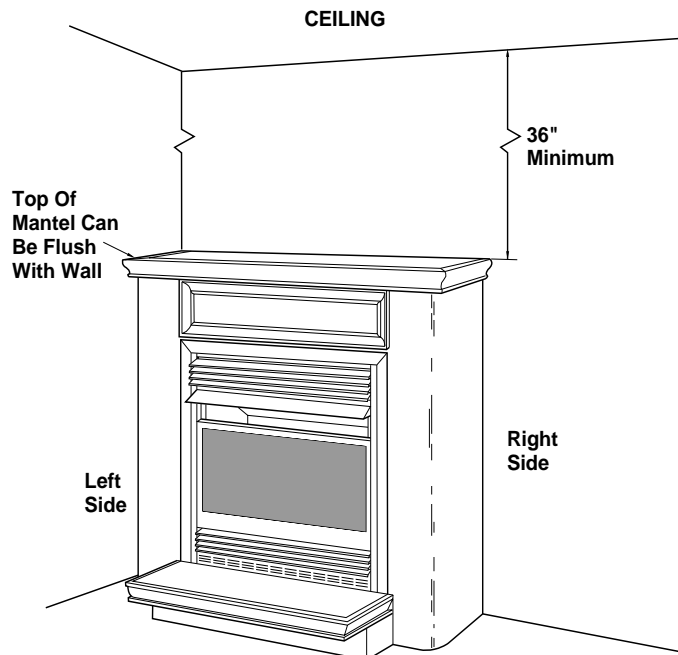


Figure 7 - Mounting Clearances As Viewed From Front of Fireplace Shown with Optional Mantel

INSTALLING

Continued

BUILT-IN FIREPLACE INSTALLATION

Built-in installation of this fireplace involves installing fireplace into a framed-in enclosure. This makes the front of fireplace flush with wall. An optional brass trim kit accessory is available (see *Accessories*, page 29). Brass trim will extend past sides of fireplace approximately $\frac{1}{2}$ inch. This will cover the rough edges of the wall opening. If installing a built-in mantel above the fireplace, but you must follow the clearances shown in Figure 11, page 13. Follow the instructions below to install the fireplace in this manner.

Height		Front Width		Depth		Bottom	
Actual	Framing	Actual	Framing	Actual	Framing	Actual	Framing
26"	26 $\frac{7}{8}$ "	26 $\frac{3}{4}$ "	26 $\frac{7}{8}$ "	9 $\frac{1}{2}$ "	10 $\frac{1}{2}$ "	$\frac{3}{4}$ "	$\frac{3}{4}$ "

1. Frame in rough opening. Use dimensions shown in Figure 8 for the rough opening.

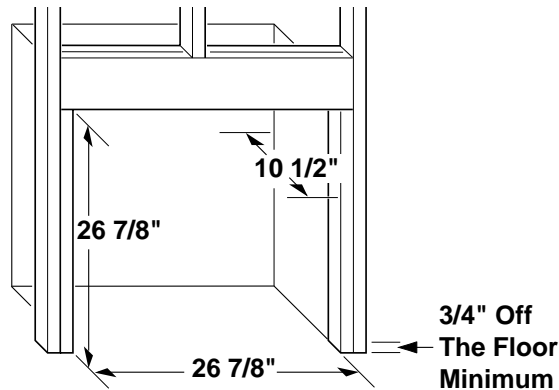


Figure 8 - Rough Opening for Installing in Wall

If installing in a corner, use dimensions shown in Figure 9 for the rough opening. The height is 26 $\frac{1}{8}$ " which is the same as the wall opening above.

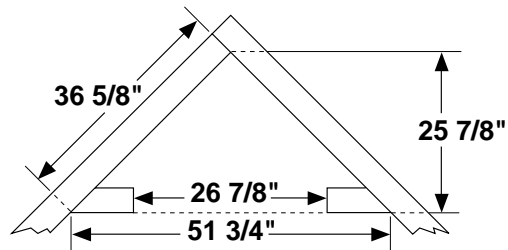


Figure 9 - Rough Opening for Installing in Corner

2. An optional blower accessory is available (see *Accessories*, page 29). There are two options for connecting blower to electrical source.

Option one: Have a licensed electrician install a properly grounded, three-prong 120-volt electrical outlet at fireplace location. Locate outlet inside the framed enclosure. Blower power cord will plug into this outlet.

Option two: Have a licensed electrician connect blower to electrical source at junction box inside fireplace.

If using option one, have electrical outlet installed at this time. If using option two, do not connect blower to electrical source at junction box until step 7.

3. Install gas piping to fireplace location. This installation includes an approved flexible gas line (if allowed by local codes) after the manual shutoff valve. The flexible gas line must be the last item installed on the gas piping.
4. If you have not assembled firebox, follow instructions on page 5.
5. Carefully set fireplace in front of rough opening with back of fireplace inside wall opening.

INSTALLING

Continued

6. Attach flexible gas line to fireplace gas regulator. See *Connecting Fireplace to Gas Supply*, page 17.
7. If the optional blower has been installed connect blower to electrical source.
Option one: Route blower electrical cord through side or rear access door of fireplace. Plug electrical cord into electrical outlet.
Option two: Have a licensed electrician connect blower to electrical source at junction box inside fireplace.
8. Bend four nailing flanges on outer casing with pliers (see Figure 10).
9. Attach fireplace to wall studs using nails or wood screws through holes in nailing flange.

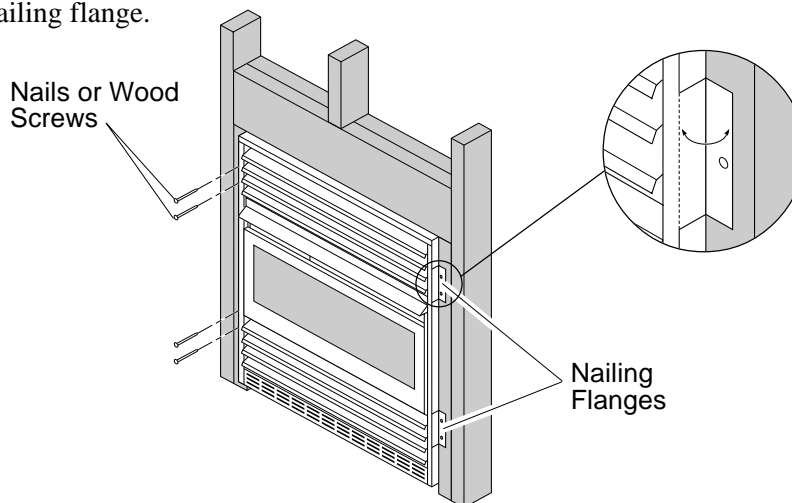


Figure 10 - Attaching Fireplace to Wall Studs

10. Check all gas connections for leaks. See *Checking Gas Connections*, page 17.
11. If using optional brass trim kit, install the trim after final finishing and/or painting of wall. See instructions included with brass trim accessory for attaching brass trim.

Mantel Clearances for Built-In Installation

If placing mantel above built-in fireplace, you must meet minimum clearance between mantel shelf and top of fireplace opening.

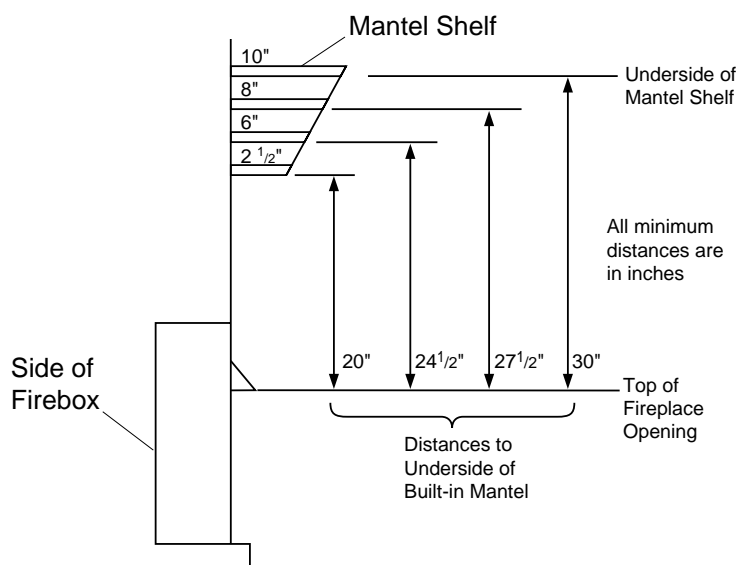


Figure 11 - Minimum Mantel Clearances for Built-In Installation

If your installation does not meet the above minimum clearances, you must:

- raise the mantel to an acceptable height, OR
- remove the mantel.

Continued **13**

INSTALLING

Continued

OPTIONAL MANTEL INSTALLATION

Note: Refer to instructions provided with the mantel for assembly instructions. Refer to instructions below for system installation. Refer to instructions on page 5 for firebox assembly. Blower accessory should be installed if it is being used (see *Accessories*, page 29).

1. Unscrew four brass screws that attach top louver to fireplace. Remove louvre from fireplace and set aside.
2. Place fireplace on wood base.
3. Place mantel around fireplace/base assembly.
4. Assemble brass trim kit. See *Assembling Brass Trim*, page 15.
5. Firmly snap brass trim kit on shoulder screws. Shoulder screws are located on fireplace cabinet (see Figure 12).
6. Align brass trim kit for flush fit around opening.
7. Use two 3" wood screws provided and attach fireplace base to wooden base (see Figure 12).

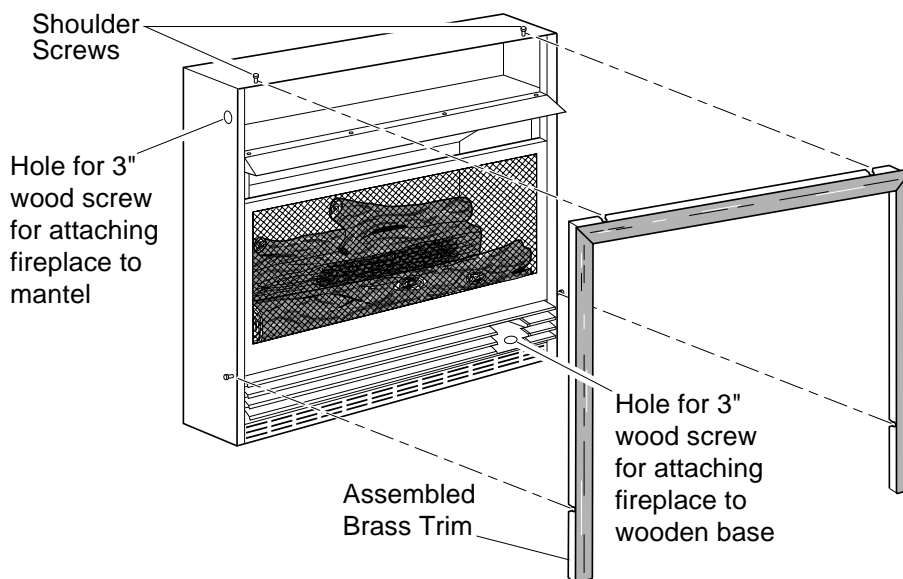


Figure 12 - Attaching Brass Trim to Fireplace

8. Remove brass trim kit and mantel. Be careful not to damage wall or mantel.
9. Place wood base next to wall at installation location.
10. Attach wood base to floor with two 1 3/4" black screws provided (see Figure 13). If the floor is concrete use anchor method (see *Attaching Wood Base to Solid Floor*, page 15).

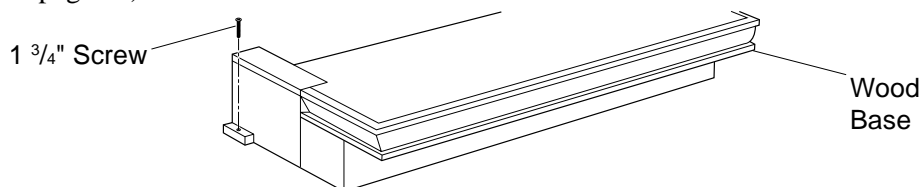


Figure 13 - Attaching Wood Base to Floor

11. Install gas line. See *Connecting To Gas Supply*, pages 16.
12. Check for leaks. See *Checking Gas Connections*, page 17.
13. Place mantel around fireplace. Be careful not to damage wall or mantel.
14. Place brass trim kit on the shoulder screws located on the side and top of the fireplace. Firmly snap the brass trim over the shoulder screws on fireplace (see Figure 12).
15. Adjust assembly to remove any gaps. Attach remaining two 3" wood screws from hardware pack through openings inside of fireplace sides into the mantel. The openings are located at top behind the area for the brass louvers (see Figure 13).
16. Reinstall top brass louvers.

INSTALLING

Continued

Assembling Brass Trim (Brass trim shipped with mantel)

1. Remove packaging from three remaining pieces of brass trim.
2. Locate two adjusting plates with set screws, and two shims in the hardware packet.
3. Align shim under adjusting plate as shown in Figure 14.
4. Slide one end of adjusting plate/shim in slot on mitered edge of top brass trim (see Figure 14).
5. Slide other end of adjusting plate/shim in slot on mitered edge of side brass trim (see Figure 14).
6. While firmly holding edges of brass trim together, tighten both set screws on the adjusting plate with slotted screwdriver.
7. Repeat steps 1 through 6 for other corner.
8. Set Brass Assembly aside for later installation.

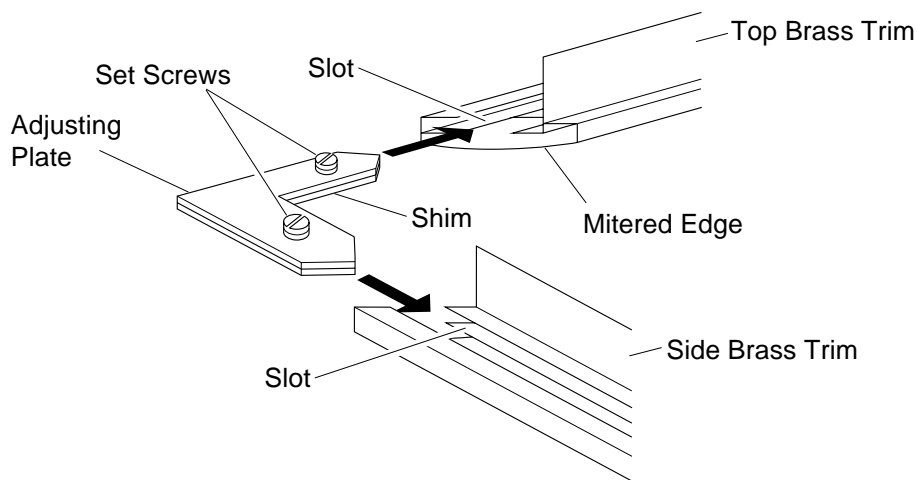


Figure 14 - Assembling Brass Trim

Attaching Wood Base to Solid Floor

For attaching base to solid floors (concrete or masonry)

Note: Floor anchors and mounting screws are in hardware package. The hardware package is provided with fireplace.

1. Drill holes at marked locations using 5/16" drill bit. For solid floors (concrete or masonry), drill at least 1" deep.
2. Fold floor anchor as shown in Figure 15.

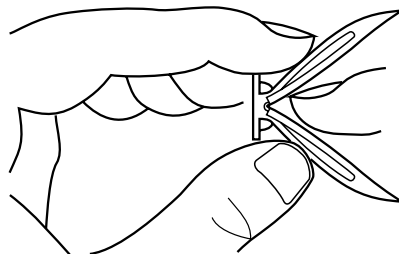


Figure 15 - Folding Anchor

3. Insert floor anchor (wings first) into hole. Tap anchor flush to floor.
4. Insert mounting screws through base and into floor anchors.
5. Tighten screws until base is firmly fastened to floor.

CONNECTING TO GAS SUPPLY

NOTICE

A qualified service person must connect fireplace to gas supply. Follow all local codes.

WARNING

Never connect fireplace to private (non-utility) gas wells. This gas is commonly known as wellhead gas.

IMPORTANT: Check gas line pressure before connecting fireplace to gas line. Gas line pressure must be no greater than 14 inches of water. If gas line pressure is higher, fireplace regulator damage could occur.

CAUTION

Use only new, black iron or steel pipe. Internally-tinned copper tubing may be used in certain areas. Check your local codes. Use pipe of 1/2" or greater diameter to allow proper gas volume to fireplace. If pipe is too small, undue loss of pressure will occur.

Installation must include a manual shutoff valve, union, and plugged 1/8" NPT tap. Locate NPT tap within reach for test gauge hook up. NPT tap must be upstream from fireplace (see Figure 16).

Apply pipe joint sealant lightly to male threads. This will prevent excess sealant from going into pipe. Excess sealant in pipe could result in clogged fireplace valves.

CAUTION

Use pipe joint sealant that is resistant to liquid petroleum (LP) gas.

Install sediment trap in supply line as shown in Figure 16. Locate sediment trap where it is within reach for cleaning. Locate sediment trap where trapped matter is not likely to freeze. A sediment trap traps moisture and contaminants. This keeps them from going into fireplace controls. If sediment trap is not installed or is installed wrong, fireplace may not run properly.

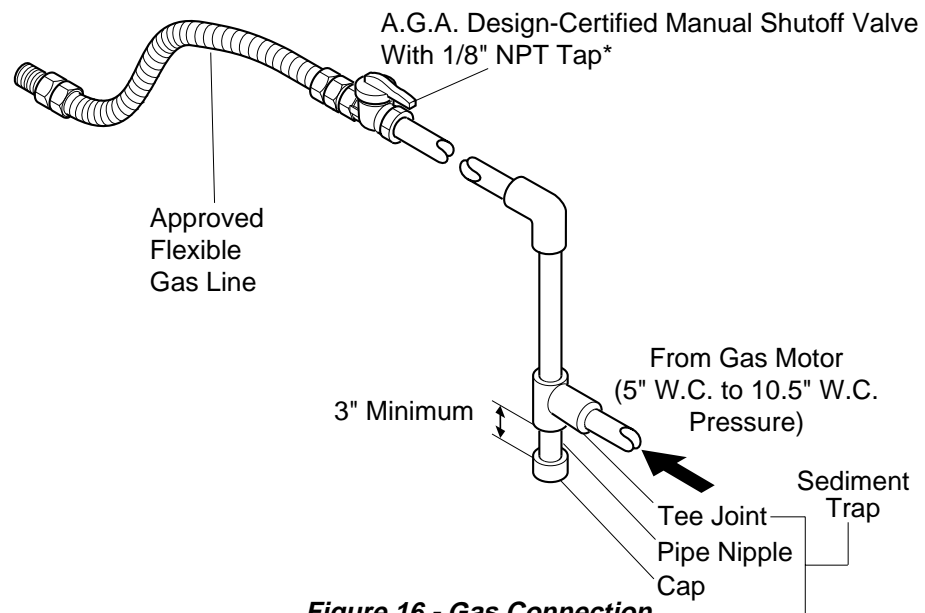


Figure 16 - Gas Connection

* Purchase the optional A.G.A. design-certified manual shutoff valve from your dealer. See *Accessories*, page 29.

CONNECTING TO GAS SUPPLY

Continued

CONNECTING FIREPLACE TO GAS SUPPLY

Installation Items Needed

- Phillips screwdriver
- sealant (resistant to propane gas, not provided)

1. Remove fireplace screen. Remove two screws that hold fireplace screen in place for shipping. These screws are located near top of screen. Discard screws. Lift fireplace screen up and pull out to remove.
2. Remove screws that attach branch support to fireplace (see Figure 17). Carefully lift up branch support and remove from fireplace (see Figure 17).

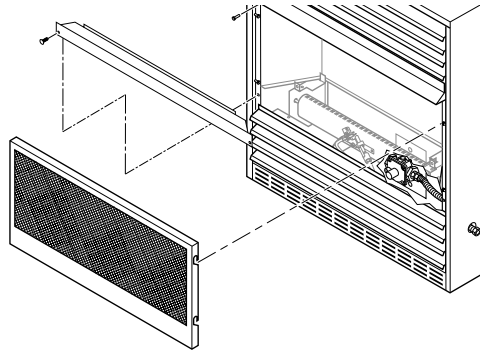


Figure 17 - Removing Twig Support From Fireplace

3. Route flexible gas line from manual shutoff valve into fireplace through side or rear access holes in outer casing. Route flexible gas supply line through fireplace access holes in outer casing.

NOTICE

Most building codes do not permit concealed gas connections. A flexible gas line is provided to allow accessibility from the fireplace. The flexible gas supply line connection to the manual shutoff valve should be accessible.

4. Apply pipe joint sealant lightly to male threads of gas connector attached to flexible gas line (see Figure 18). Connect flexible gas line to flexible gas line attached to gas regulator of fireplace (see Figure 18).
5. Check all gas connections for leaks. See *Checking Gas Connections*, below.
6. Replace branch support back into fireplace. Feed flexible gas line into fireplace base area while replacing branch support. Make sure the entire flexible gas line is in fireplace base area. Reattach branch support to fireplace with screws removed in step 3.

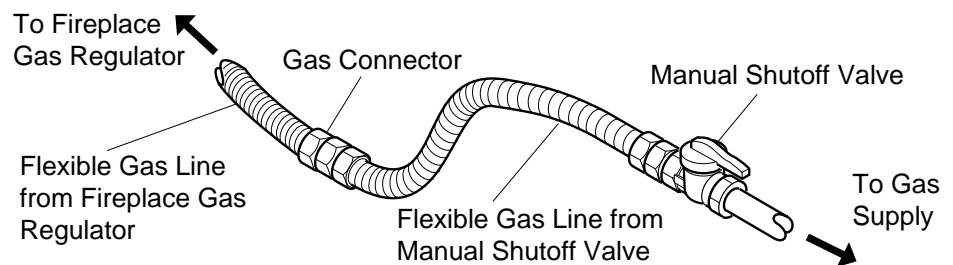


Figure 18 - Attaching Flexible Gas Lines Together

Continued

17

CHECKING GAS CONNECTIONS

⚠ WARNING

Test all gas piping and connections for leaks after installing or servicing. Correct all leaks at once.

⚠ WARNING

Never use an open flame to check for a leak. Apply a mixture of liquid soap and water to all joints. Bubbles forming show a leak. Correct all leaks at once.

PRESSURE TESTING GAS SUPPLY PIPING SYSTEM

Test Pressures In Excess Of 1/2 PSIG

1. Disconnect fireplace and its individual manual shutoff valve from gas supply piping system. Pressures in excess of 1/2 psig will damage fireplace regulator.
2. Cap off open end of gas pipe where manual shutoff valve was connected.
3. Pressurize supply piping system by either using compressed air or opening main gas valve located on or near gas meter.
4. Check all joints of gas supply piping system. Apply mixture of liquid soap and water to gas joints. Bubbles forming show a leak.
5. Correct all leaks at once.

Test Pressures Equal To or Less Than 1/2 PSIG

1. Close manual shutoff valve (see Figure 19).
2. Pressurize supply piping system by either using compressed air or opening main gas valve located on or near gas meter.
3. Check all joints from gas meter to manual shutoff valve (see Figure 20). Apply mixture of liquid soap and water to gas joints. Bubbles forming show a leak.
4. Correct all leaks at once.

PRESSURE TESTING FIREPLACE GAS CONNECTIONS

1. Open manual shutoff valve (see Figure 19).
2. Open main gas valve located on or near gas meter.
3. Make sure control knob of fireplace is in the OFF position.
4. Check all joints from manual shutoff valve to thermostat gas valve (see Figure 20). Apply mixture of liquid soap and water to gas joints. Bubbles forming show a leak.
5. Correct all leaks at once.
6. Light fireplace (see *Operating Fireplace*, pages 19 through 21). Check all other internal joints for leaks.
7. Turn off fireplace (see *To Turn Off Gas to Appliance*, page 21).
8. Replace front panel.

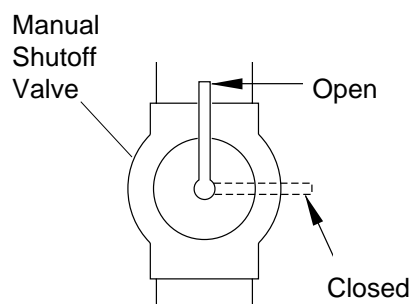


Figure 19 - Manual Shutoff Valve

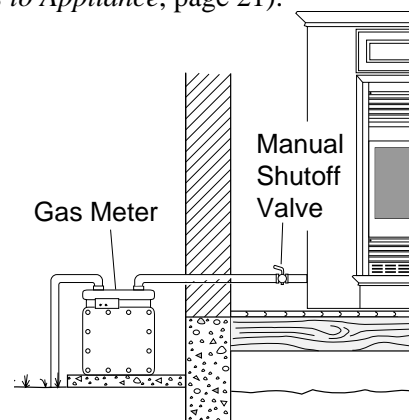


Figure 20 - Checking Gas Joints

OPERATING FIREPLACE

FOR YOUR SAFETY READ BEFORE LIGHTING

⚠ WARNING

If you do not follow these instructions exactly, a fire or explosion may result causing property damage, personal injury or loss of life.

- A. This appliance has a pilot which must be lighted by hand. When lighting the pilot, follow these instructions exactly.
- B. **BEFORE LIGHTING** smell all around the appliance area for gas. Be sure to smell next to the floor because some gas is heavier than air and will settle on the floor.

WHAT TO DO IF YOU SMELL GAS

- Do not try to light any appliance.
 - Do not touch any electric switch; do not use any phone in your building.
 - Immediately call your gas supplier from a neighbor's phone. Follow the gas supplier's instructions.
 - If you cannot reach your gas supplier, call the fire department.
- C. Use only your hand to push in or turn the gas control knob. Never use tools. If the knob will not push in or turn by hand, don't try to repair it, call a qualified service technician or gas supplier. Force or attempted repair may result in a fire or explosion.
 - D. Do not use this appliance if any part has been under water. Immediately call a qualified service technician to inspect the appliance and to replace any part of the control system and any gas control which has been under water.


LIGHTING INSTRUCTIONS

⚠ WARNING

You must operate this fireplace with the fireplace screen in place. Make sure fireplace screen is installed before running fireplace.

NOTICE

During initial operation of new fireplace, burning logs will give off a paper-burning smell. Orange flame will also be present. Open window to vent smell. Operate fireplace on HI position to burn off odor. This will only last a few hours.

1. **STOP!** Read the safety information above.
2. Make sure manual shutoff valve is fully open.
3. Turn control knob clockwise  to the OFF position.

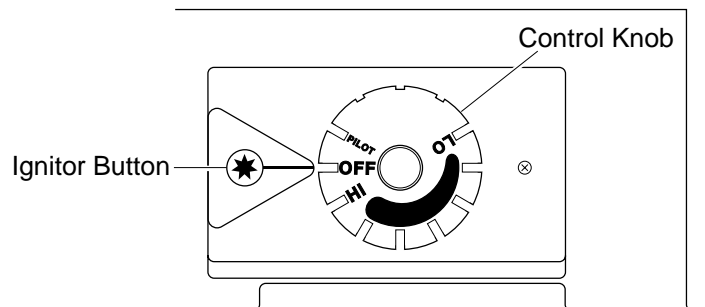



Figure 21 - Control Knob In The OFF Position

Continued

OPERATING FIREPLACE

Continued

4. Wait five (5) minutes to clear out any gas. Then smell for gas, including near the floor. If you smell gas, STOP! Follow “B” in the safety information at the top of page 19. If you don’t smell gas, go to the next step.
5. Turn control knob counterclockwise  to the PILOT position. Press in control knob for five (5) seconds (see Figure 19, page 19).

Note: You may be running this fireplace for the first time after hooking up to gas supply. If so, the control knob may need to be pressed in for 30 seconds. This will allow air to bleed from the gas system.

 - If control knob does not pop up when released, contact a qualified service person or gas supplier for repairs.
6. With control knob pressed in, push down and release ignitor button. This will light pilot. The pilot is attached to the front of burner. If needed, keep pressing ignitor button until pilot lights.

Note: If pilot does not stay lit, refer to *Troubleshooting*, pages 24 through 27. Also contact a qualified service person or gas supplier for repairs. Until repairs are made, light pilot with match. To light pilot with match, see *Manual Lighting Procedure*, page 21.
7. Keep control knob pressed in for 30 seconds after lighting pilot. After 30 seconds, release control knob.

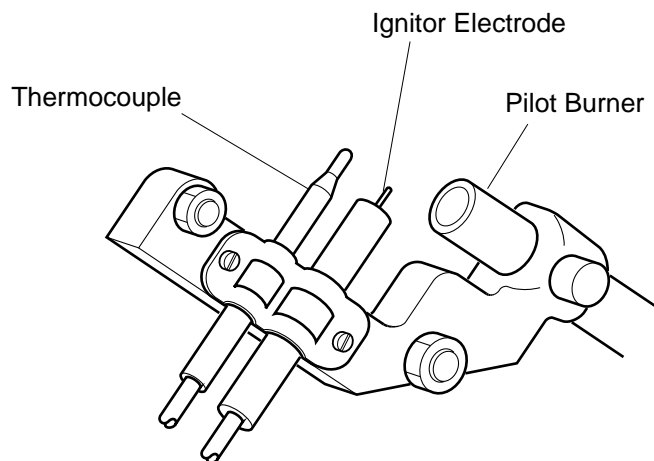



Figure 22 - Pilot

Note: If pilot goes out, repeat steps 3 through 7. This fireplace has a safety interlock system. Wait one (1) minute before lighting pilot again.

8. Turn control knob counterclockwise  to desired heating level. The main burner should light. Set control knob to any heat level between HI and LO.

CAUTION


Do not try to adjust heating levels by using the manual shutoff valve.

OPERATING FIREPLACE


Continued

TO TURN OFF GAS TO APPLIANCE

Shutting Off Fireplace

1. Turn control knob clockwise  to the OFF position.
2. Turn off all electric power to the appliance if service is to be performed.

Shutting Off Burner Only (pilot stays lit)

1. Turn control knob clockwise  to the PILOT position.

THERMOSTAT CONTROL OPERATION

The thermostatic control used on this fireplace differs from standard thermostats. Standard thermostats simply turn on and off the burner. The thermostat used on this fireplace senses the room temperature. The thermostat adjusts the amount of gas flow to the burner. This increases or decreases the burner flame height. At times the room may exceed the set temperature. If so, the burner will shut off. The burner will cycle back on when room temperature drops below the set temperature.

The control knob can be set to any heat level between HI and LO.

Note: The thermostat sensing bulb measures the temperature of air near the fireplace cabinet. This may not always agree with room temperature (depending on housing construction, installation location, room size, open air temperatures, etc.). Frequent use of your fireplace will let you determine your own comfort levels.

MANUAL LIGHTING PROCEDURE

1. Follow steps 1 through 5 under *Lighting Instructions*, pages 19 and 20.
2. With control knob pressed in, strike match. Hold match to pilot until pilot lights.
3. Keep control knob pressed in for 30 seconds after lighting pilot. After 30 seconds, release control knob.

INSPECTING BURNER

Check pilot flame pattern and burner flame pattern often.

PILOT FLAME PATTERN

Figure 23 shows a correct pilot flame pattern. Figure 24 shows an incorrect pilot flame pattern. The incorrect pilot flame is not touching the thermocouple. This will cause the thermocouple to cool. When the thermocouple cools, the fireplace will shut down.

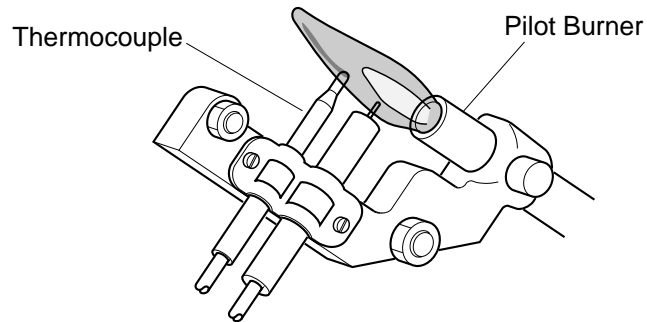


Figure 23 - Correct Pilot Flame Pattern

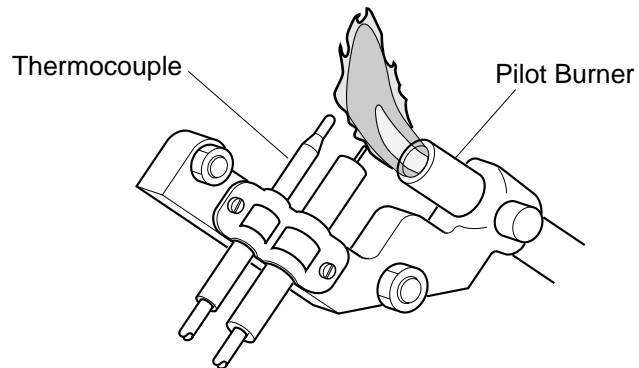


Figure 24 - Incorrect Pilot Flame Pattern

If pilot flame pattern is incorrect, as shown in Figure 24

- turn fireplace off (see *To Turn Off Gas to Appliance*, page 21).
- see *Troubleshooting*, pages 24 through 27.

INSPECTING BURNER

Continued

BURNER FLAME PATTERN

Figure 25 shows a correct burner flame pattern. Figure 26 shows an incorrect burner flame pattern. The incorrect burner flame pattern shows yellow tipping of the flame. It also shows the flame higher than one inch above the log.

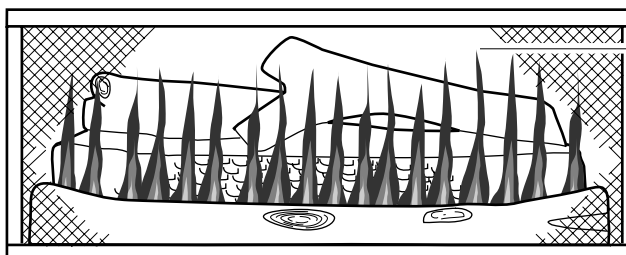
Note: When using the fireplace the first time, the flame will be yellow for approximately one hour until the log cures.

WARNING

If yellow tipping occurs, your fireplace could produce increased levels of carbon monoxide. If burner flame pattern shows yellow tipping, follow instructions at bottom of this page.

NOTICE

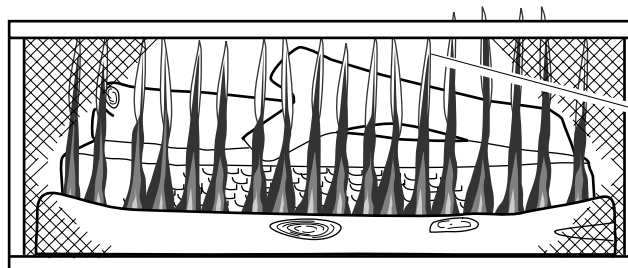
Do not mistake orange flames with yellow tipping. Dirt or other fine particles enter the fireplace and burn causing brief patches of orange flame.



Top of
Flame
About One
Inch Above
Logs

**CORRECT FLAME PATTERN
AT HIGH POSITION**

Figure 25 - Correct Burner Flame Pattern



Yellow
Tipping

**INCORRECT FLAME PATTERN
AT HIGH POSITION**

Figure 26 - Incorrect Burner Flame Pattern

If burner flame pattern is incorrect, as shown in Figure 26©20

- turn fireplace off (see *To Turn Off Gas to Appliance*, page 21).
- see *Troubleshooting*, pages 24 through 27.

CLEANING AND MAINTENANCE

WARNING

Turn off fireplace and let cool before cleaning.

CAUTION

You must keep control areas, burner, and circulating air passages of fireplace clean. Inspect these areas of fireplace before each use. Have fireplace inspected yearly by a qualified service person. Fireplace may need more frequent cleaning due to excessive lint from carpeting, bedding material, etc.

ODS/PILOT AND BURNER

- Use a vacuum cleaner, pressurized air, or small, soft bristled brush to clean.

CABINET

Air Passageways

- Use a vacuum cleaner or pressurized air to clean.

Exterior

- Use a soft cloth dampened with a mild soap and water mixture. Wipe the cabinet to remove dust.

TROUBLE-SHOOTING

Note: All troubleshooting items are listed in order of operation.

WARNING

Turn off and unplug fireplace and let cool before servicing. Only a qualified service person should service and repair fireplace.

CAUTION

Never use a wire, needle, or similar object to clean ODS/pilot. This can damage ODS/pilot unit.

OBSERVED PROBLEM	POSSIBLE CAUSE	REMEDY
When ignitor button is pressed, there is no spark at ODS/pilot	<ol style="list-style-type: none"> 1. Ignitor cable pinched or wet 2. Ignitor electrode not connected to ignitor cable 3. Broken ignitor cable 4. Bad piezo ignitor 5. Ignitor electrode broken 6. Ignitor electrode positioned wrong 	<ol style="list-style-type: none"> 1. Free ignitor cable if pinched by any metal or tubing. Keep ignitor cable dry 2. Reconnect ignitor cable 3. Replace ignitor cable 4. Replace piezo ignitor 5. Replace ignitor 6. Replace ignitor

TROUBLE-SHOOTING

Continued

OBSERVED PROBLEM	POSSIBLE CAUSE	REMEDY
When ignitor button is pressed, there is spark at ODS/pilot but no ignition	<ol style="list-style-type: none"> 1. Gas supply turned off or manual shutoff valve closed 2. Control knob not in PILOT position 3. Control knob not pressed in while in PILOT position 4. Air in gas lines when installed 5. ODS/pilot is clogged 6. Gas regulator setting is not correct 	<ol style="list-style-type: none"> 1. Turn on gas supply or open manual shutoff valve 2. Turn control knob to PILOT position 3. Press in control knob while in PILOT position 4. Continue holding down control knob. Repeat igniting operation until air is removed 5. Clean ODS/pilot (see <i>Cleaning and Maintenance</i>, page 24) or replace ODS/pilot assembly 6. Replace gas regulator
ODS/pilot lights but flame goes out when control knob is released	<ol style="list-style-type: none"> 1. Control knob not fully pressed in 2. Control knob not pressed in long enough 3. Safety interlock system has been triggered 4. Manual shutoff valve not fully open 5. Thermocouple connection loose at control valve 6. Pilot flame not touching thermocouple, which allows thermocouple to cool, causing pilot flame to go out. This problem could be caused by one or both of the following: A) Low gas pressure B) Dirty or partially clogged ODS/pilot 7. Thermocouple damaged 8. Control valve damaged 	<ol style="list-style-type: none"> 1. Press in control knob fully 2. After ODS/pilot lights, keep control knob pressed in 30 seconds 3. Wait one minute for safety interlock system to reset. Repeat ignition operation 4. Fully open manual shut-off valve 5. Hand tighten until snug, then tighten 1/4 turn more 6. A) Contact local natural gas company B) Clean ODS/pilot (see <i>Cleaning and Maintenance</i>, page 24) or replace ODS/pilot assembly 7. Replace thermocouple 8. Replace control valve

Continued **25**

TROUBLE-SHOOTING

Continued

OBSERVED PROBLEM	POSSIBLE CAUSE	REMEDY
Burner does not light after ODS/pilot is lit	1. Burner orifice is clogged	1. Clean burner (see <i>Cleaning and Maintenance</i> , page 24) or replace burner orifice
	2. Burner orifice diameter is too small	2. Replace burner orifice
	3. Inlet gas pressure is too low	3. Contact local natural gas company
Delayed ignition of burner	1. Manifold pressure is too low	1. Contact local natural gas company
	2. Burner orifice is clogged	2. Clean burner (see <i>Cleaning and Maintenance</i> , page 24) or replace burner orifice
Burner backfiring during combustion	1. Burner orifice is clogged or damaged	1. Clean burner (see <i>Cleaning and Maintenance</i> , page 24) or replace burner orifice
	2. Burner damaged	2. Replace burner pressure
	3. Low inlet gas pressure	3. Contact local natural gas company
	4. Gas regulator defective	4. Replace gas regulator
Yellow flame during burner combustion	1. Not enough air	1. Check burner for dirt and debris. If found, clean burner (see <i>Cleaning and Maintenance</i> , page 24)
	2. Gas regulator defective	2. Replace gas regulator
Slight smoke or odor during initial operation	1. Residues from manufacturing processes	1. Problem will stop after a few hours of operation
Fireplace produces a whistling noise when burner is lit	1. Turning control knob to HI position when burner is cold	1. Turn control knob to LO position and let warm up for a minute
	2. Air in gas line	2. Operate burner until air is removed from line. Have gas line checked by local natural gas company
	3. Air passageways on fireplace blocked	3. Observe minimum installation clearances (see Figure 6 and 7, page 11)
	4. Dirty or partially clogged burner orifice	4. Clean burner (see <i>Cleaning and Maintenance</i> , page 24) or replace burner orifice

TROUBLE-SHOOTING

Continued

WARNING

If you smell gas

- Shut off gas supply.
- Do not try to light any appliance.
- Do not touch any electrical switch; do not use any phone in your building.
- Immediately call your gas supplier from a neighbor's phone. Follow the gas supplier's instructions.
- If you cannot reach your gas supplier, call the fire department.

IMPORTANT: Operating fireplace where impurities in air exist may create odors. Cleaning supplies, paint, paint remover, cigarette smoke, cements and glues, new carpet or textiles, etc., create fumes. These fumes may mix with combustion air and create odors.

OBSERVED PROBLEM	POSSIBLE CAUSE	REMEDY
Fireplace produces a clicking/ticking noise just after burner is lit or shut off	1. Metal expanding while heating or contracting while cooling	1. This is common with most fireplaces. If noise is excessive, contact qualified service person
Fireplace produces unwanted odors	1. Fireplace burning vapors from paint, hair spray, glues, etc. (See <i>IMPORTANT</i> statement above) 2. Gas leak. See Warning statement at top of page	1. Ventilate room. Stop using odor causing products while fireplace is running 2. Locate and correct all leaks (see <i>Checking Gas Connections</i> , page 17)
Fireplace shuts off in use (ODS operates)	1. Not enough fresh air is available 2. Low line pressure 3. ODS/pilot is partially clogged	1. Open window and/or door for ventilation 2. Contact local natural gas company 3. Clean ODS/pilot (see <i>Cleaning and Maintenance</i> , page 24)
Gas odor even when control knob is in OFF position	1. Gas leak. See Warning statement at top of page 2. Control valve defective	1. Locate and correct all leaks (see <i>Checking Gas Connections</i> , page 17) 2. Replace control valve
Gas odor during combustion	1. Foreign matter between control valve and burner 2. Gas leak. See Warning statement at top of page	1. Take apart gas tubing and remove foreign matter 2. Locate and correct all leaks (see <i>Checking Gas Connections</i> , page 17)
Moisture/condensation noticed on windows	1. Not enough combustion/ventilation air.	1. Refer to <i>Air for Combustion and Ventilation</i> requirements (page 6)

TECHNICAL SERVICE

SPECIFICATIONS

You may have further questions about installation, operation, or troubleshooting. If so, contact DESA International's Technical Service Department at 1-800-323-5190.

Btu (Variable)	14,000/26,000
Type Gas	Natural Only
Ignition	Piezo
Pressure Regulator Setting	3" W.C.
Inlet Gas Pressure (in. of water) *	
Maximum	10.5"
Minimum	5"
Dimensions, Inches (H x W x D)	
Fireplace (including hood and screws)	25 ⁷ / ₈ x 26 ¹³ / ₁₆ x 9 ³ / ₈
Carton	32 ⁵ / ₈ x 27 ³ / ₁₆ x 11 ⁵ / ₈
Weight, pounds	
Fireplace	44 ¹ / ₂ lbs.
Shipping	48 lbs.

* For purposes of input adjustment

SERVICE HINTS

When gas pressure is too low

- pilot will not stay lit
- burner will have delayed ignition
- fireplace will not produce specified heat

When gas quality is bad

- pilot will not stay lit
- burner will produce flames and soot
- fireplace will backfire when lit

You may feel your gas pressure is too low or gas quality is bad. If so, contact your local natural gas supplier.

REPLACEMENT PARTS

Note: Use only original replacement parts. This will protect your warranty coverage for parts replaced under warranty.

Parts Under Warranty

Contact authorized dealers of this product. If they can't supply original replacement part(s) call DESA International's Technical Service Department at 1-800-323-5190 for referral information.

When calling DESA International, have ready

- your name
- your address
- model number of your fireplace
- how fireplace was malfunctioning
- type of gas used (propane/LP or natural gas)
- purchase date

Usually, we will ask you to return the defective part to the factory.

Parts Not Under Warranty

Contact authorized dealers of this product. If they can't supply original replacement part(s) call DESA International's Parts Department at 1-800-972-7879 for referral information.

When calling DESA International, have ready

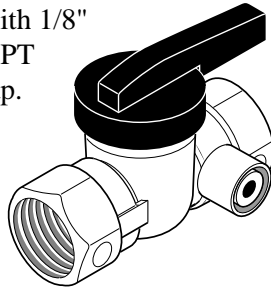
- model number of your fireplace
- the replacement part number

ACCESSORIES

Purchase these fireplace accessories from your local dealer. If they cannot supply these accessories call DESA International's Sales Department at 1-800-458-2472 for referral information. You can also write to the address listed on the back page of this manual.

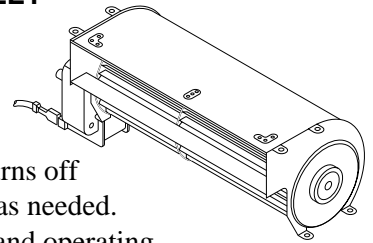
MANUAL SHUTOFF VALVE - GA5010

Manual shutoff valve with 1/8" NPT tap.



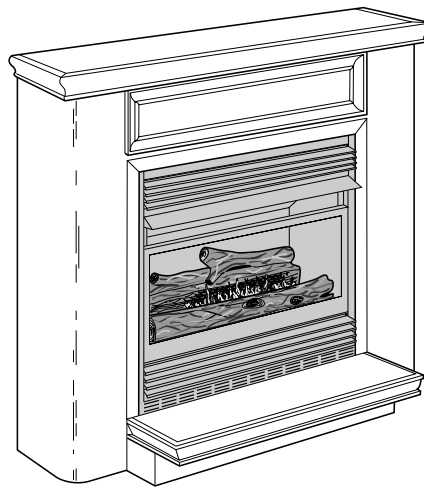
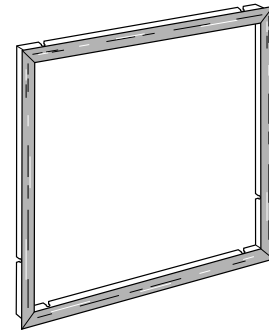
THERMOSTATICALLY CONTROLLED BLOWER KIT - GA3400T

Provides better heat distribution. Blower turns off and on automatically, as needed. Complete installation and operating instructions included.



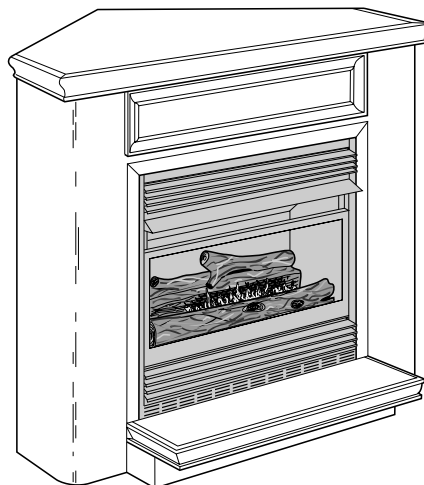
BRASS TRIM KIT - GA6095

Optional four-sided brass trim kit for built-in installations. Provides a finished appearance covering rough edges of wall opening.



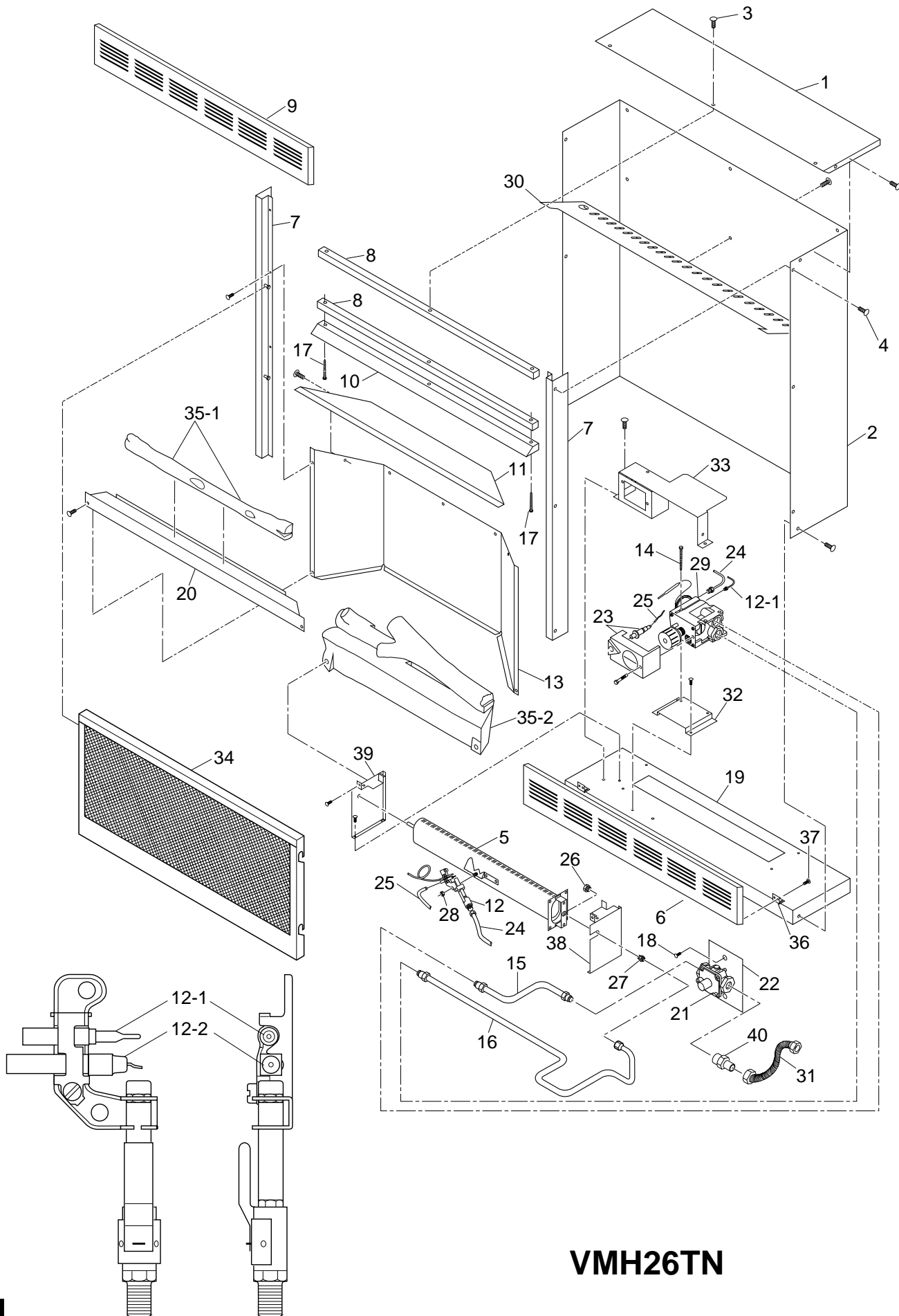
CABINET MANTEL WITH BUILT-IN HEARTH BASE Unfinished - GM921U Finished - GM920F

For use with fireplace. A hardwood mantel and hearth base offers compact styling and completes the fireplace look. Available in a walnut finished or an unfinished hardwood, ready to stain or paint. Complete assembly instructions included. Three-sided brass trim kit included.



CORNER MANTEL WITH BUILT-IN HEARTH BASE Unfinished - GM721U Finished - GM720F

For use with fireplace. Space-saving mantel and hearth base corner design features clean, classic lines. Available in a walnut finish or an unfinished hardwood, ready to stain or paint. Complete assembly instructions included. Three-sided brass trim kit included.



VMH26TN

PARTS LIST

This list contains replaceable parts used in your fireplace. When ordering parts, follow the instructions listed under *Replacement Parts* on page 28 of this manual.

Model: VMH26TN

KEY NO.	VMH26TN PART NO.	DESCRIPTION	QTY.
1	102633-01	Outer Casing Top	1
2	102624-02	Outer Casing	1
3	099230-02	Shoulder Screw	4
4	098304-01	Screw, #10 x 3/8"	40
5	099126-02	Burner	1
6	103209-02	Louvered Door	1
7	102635-01CK	Left and Right Side Front	2
8	102458-01CK	Top and Middle Front	2
9	103209-01	Brass Top Louver	1
10	102730-01CJ	Firebox Hood	1
11	102638-01	Firebox Top	1
12	103042-01	ODS/Pilot Assembly	1
12-1	098514-01	Thermocouple	1
12-2	098594-01	Ignitor Electrode	1
13	102460-01CJ	Firebox Wrapper	1
14	099211-01	Control Bracket Screw	2
15	103963-01	Inlet Tube	1
16	102834-01	Burner Tube	1
17	100587-01	Brass Screw, #6 x 3/8	4
18	098303-02	Regulator Screw	2
19	102634-01CK	Outer Shell Base	1
20	102649-01CJ	Twig Support	1
21	099415-10	Gas Regulator	1
22	102875-01	Regulator Bracket	1
23	101381-01	Valve Cover and Piezo	1
24	099387-03	Pilot Tube	1
25	098271-06	Ignitor Cable	1
26	098251-04	Injector	1
27	098250-01	Injector Holder	1
28	098249-01	Nut, M5	6
29	098522-14	Gas Valve	1
30	102639-01	Baffle	1
31	101628-01	Flexible Connector	1
32	102869-01	Control Bracket	1
33	102731-01	Control Shield	1
34	103295-01CJ	Screen Assembly	1
35	103058-01	Log Set Assembly	1
35-1	104058-01	Twig Service Kit	1
35-2	104058-02	Back Log Service Kit	1
36	102032-01	Hinge	2
37	102807-01	Hinge Screws	8
38	102645-02	Burner Support, Right	1
39	102645-01	Burner Support, Left	1
40	097809-03	3/8" NPT x 3/8" Flare Brass Fitting	1
41	101416-32	Video	1
PARTS AVAILABLE — NOT SHOWN			
	101054-01	Lighting Instructions Plate	1
	100563-01	Warning Plate	1
	103470-01	Hardware Package	1

WARRANTY INFORMATION

KEEP THIS WARRANTY

Model _____
Serial No. _____
Date Purchased _____

Always specify model and serial numbers when communicating with the factory.

We reserve the right to amend these specifications at any time without notice. The only warranty applicable is our standard written warranty. We make no other warranty, expressed or implied.

LIMITED WARRANTY

VENT-FREE NATURAL GAS COMPACT CLASSIC HEARTH® FIREPLACE

DESA International warrants this product to be free from defects in materials and components for three (3) years and five (5) years on stainless steel burners from the date of first purchase, provided that the product has been properly installed, operated and maintained in accordance with all applicable instructions. To make a claim under this warranty the Bill of Sale or cancelled check must be presented.

This warranty is extended only to the original retail purchaser. This warranty covers the cost of part(s) required to restore this fireplace to proper operating condition and an allowance for labor when provided by a DESA Authorized Service Center. Warranty part(s) MUST be obtained through authorized dealers of this product and/or DESA International who will provide original factory replacement parts. Failure to use original factory replacement parts voids this warranty. The fireplace MUST be installed by a qualified installer in accordance with all local codes and instructions furnished with the unit.

This warranty does not apply to parts that are not in original condition because of normal wear and tear, or parts that fail or become damaged as a result of misuse, accidents, lack of proper maintenance or defects caused by improper installation. Travel, diagnostic cost, labor, transportation and any and all such other costs related to repairing a defective fireplace will be the responsibility of the owner.

TO THE FULL EXTENT ALLOWED BY THE LAW OF THE JURISDICTION THAT GOVERNS THE SALE OF THE PRODUCT; THIS EXPRESS WARRANTY EXCLUDES ANY AND ALL OTHER EXPRESSED WARRANTIES AND LIMITS THE DURATION OF ANY AND ALL IMPLIED WARRANTIES, INCLUDING WARRANTIES OF MERCHANTABILITY AND FITNESS FOR A PARTICULAR PURPOSE TO THREE (3) YEARS ON ALL COMPONENTS AND FIVE (5) YEARS ON STAINLESS STEEL BURNERS FROM THE DATE OF FIRST PURCHASE; AND DESA INTERNATIONAL'S LIABILITY IS HEREBY LIMITED TO THE PURCHASE PRICE OF THE PRODUCT AND DESA INTERNATIONAL SHALL NOT BE LIABLE FOR ANY OTHER DAMAGES WHATSOEVER INCLUDING INDIRECT, INCIDENTAL OR CONSEQUENTIAL DAMAGES.

Some states do not allow a limitation on how long an implied warranty lasts or an exclusion or limitation of incidental or consequential damages, so the above limitation on implied warranties, or exclusion or limitation on damages may not apply to you.

This warranty gives you specific legal rights, and you may also have other rights that vary from state to state.

For information about this warranty write:

DESA
INTERNATIONAL

2701 Industrial Drive
P.O. Box 90004
Bowling Green, KY 42102-9004

102885-01
REV. D
06/97

Free Manuals Download Website

<http://myh66.com>

<http://usermanuals.us>

<http://www.somanuals.com>

<http://www.4manuals.cc>

<http://www.manual-lib.com>

<http://www.404manual.com>

<http://www.luxmanual.com>

<http://aubethermostatmanual.com>

Golf course search by state

<http://golfingnear.com>

Email search by domain

<http://emailbydomain.com>

Auto manuals search

<http://auto.somanuals.com>

TV manuals search

<http://tv.somanuals.com>