



TorqueMaster™ End Bracket Extension Installation Instruction Insert

Wayne-Dalton, a Division of Overhead
Door Corporation
P.O. Box 67
Mt. Hope, OH 44660
www.Wayne-Dalton.com

Use this insert in conjunction with the installation manual provided with the door. Follow the corresponding steps in this insert with the steps in the installation manual.

END BRACKET EXTENSION KIT : PART NO. 255084

Components:

- (1) pair End Bracket Extension
- (1) TorqueMaster™ Center Bracket Extension
- (1) TorqueMaster™ Adjustable Center Bracket
- (4) 1/4" - 14 x 5/8" Self Tapping Screws
- (2) 3/8" - 16 x 3/4" Truss Bolt
- (2) 3/8" - 16 Hex Nut
- (2) 1/4" - 20 x 9/16 Track Bolts
- (2) 1/4" - 20 Hex Head Nuts

ATTACHING THE END BRACKET EXTENSION

► Step 1

Prior to securing the vertical track assemblies to the jamb as detailed in the product specific installation instruction manual, first secure the end bracket extensions to the 12" radius TorqueMaster™ flagangles. Locate the left and right end bracket extensions with the left and right flagangles. Align and insert the Twistlock™ tab in the end bracket extension with the butterfly hole in the appropriate flagangle and rotate 1/4 turn to lock into place (Figure 1). Secure the end bracket extension to the flag angle using (1) 3/8 - 16 x 3/4" truss bolt and hex nut.

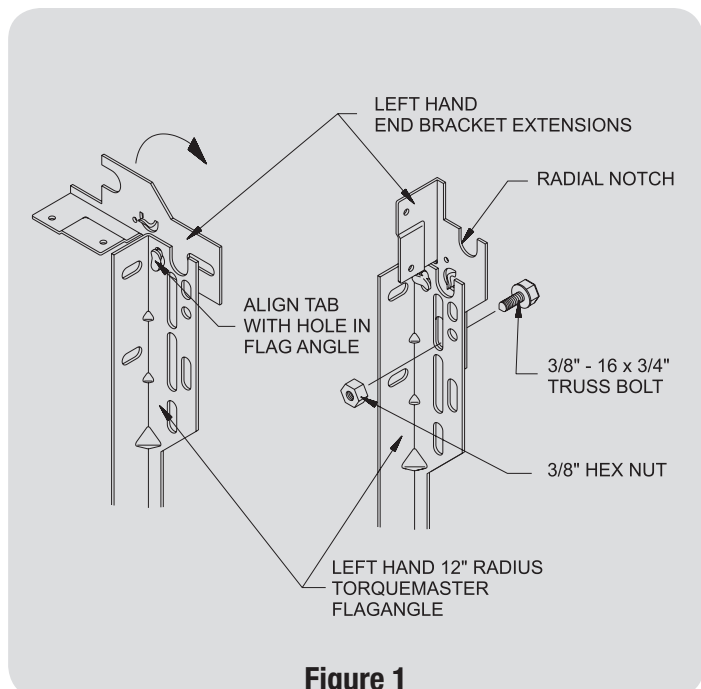


Figure 1

PREPARING THE CENTER BRACKET

► Step 2

Before installing the adjustable center bracket, the bushing must be removed from the standard center bracket. First twist strait arm on both the standard and adjustable center brackets so that the bushing may pass through. After pulling the bushing from the standard center bracket, place it into the adjustable center bracket and twist the straight arm back to the original position. Align the center bracket extension with the adjustable center bracket and loosely fasten with two (2) 1/4" - 20 x 9/16" track bolts and hex nuts (Figure 2).

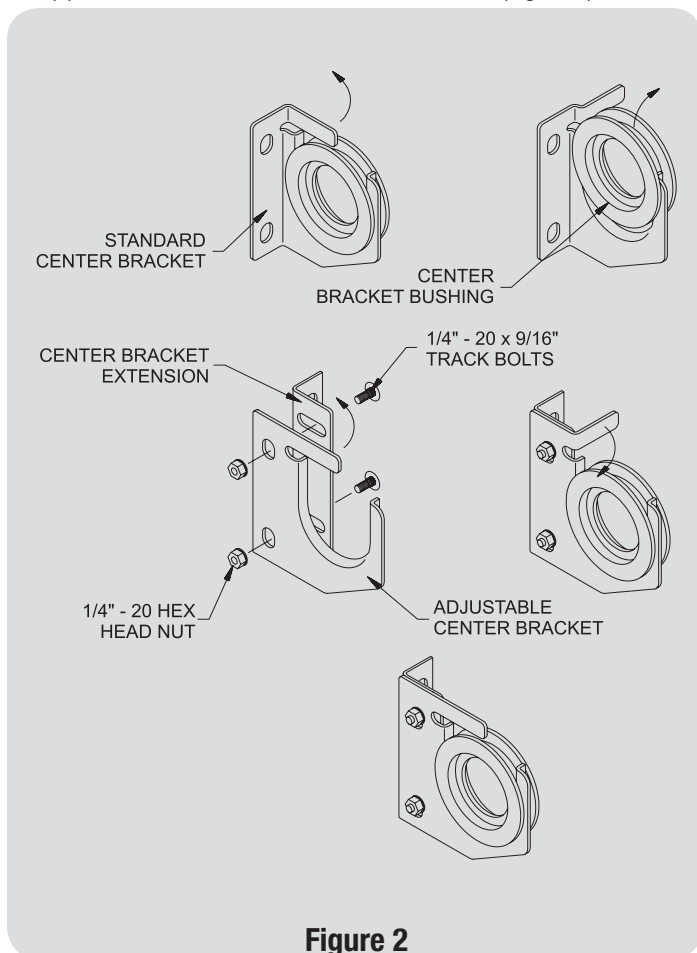


Figure 2

INSTALLING CENTER BRACKET

► Step 3

Standing inside the building looking out, lay the spring tube assembly on the floor in front of the door with the red winding shaft to the left. Align the cams of the spring tube assembly and the adjustable center bracket/bushing assembly. Slide the adjustable center bracket/bushing assembly onto the center of the spring tube. (Figure 3).

ADJUSTING THE CENTER BRACKET

► Step 4

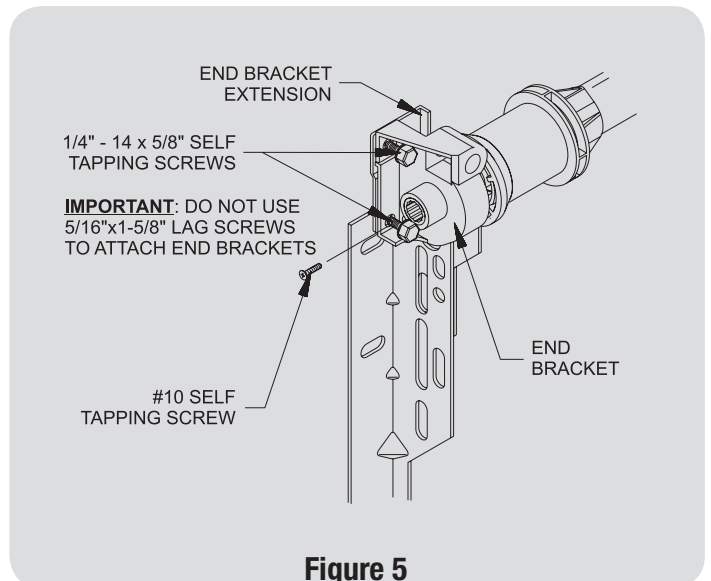
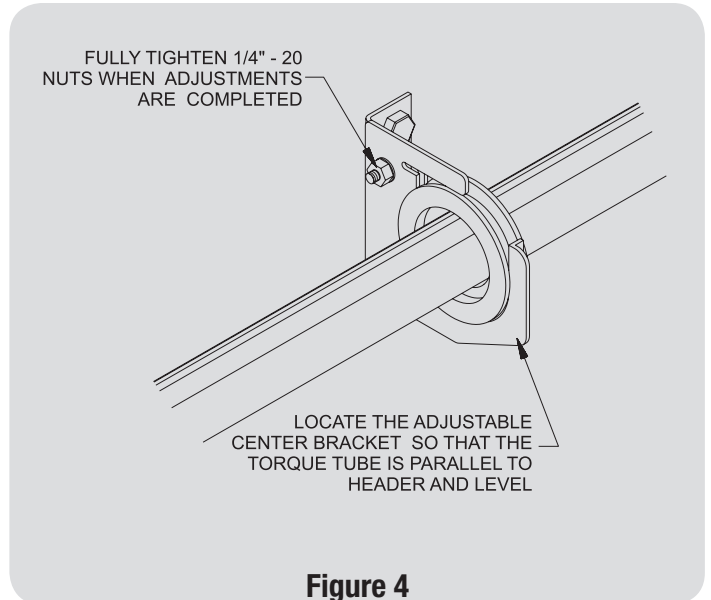
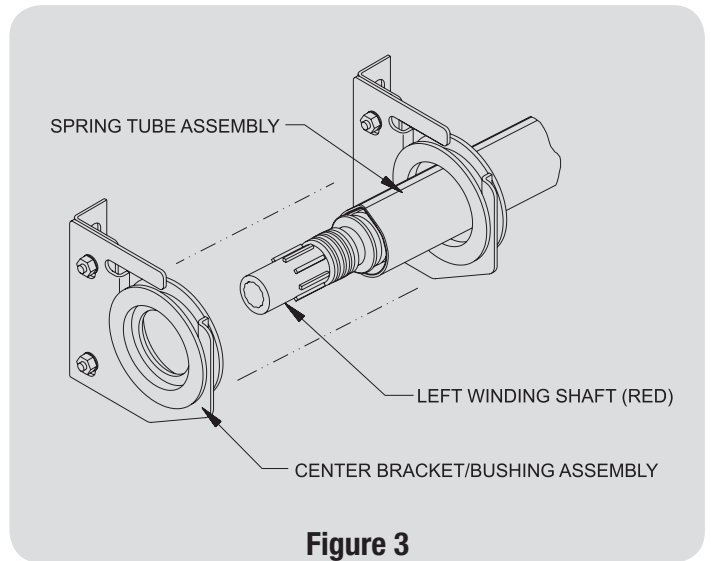
Attach the center bracket extension to the header using supplied (2) 5/16 x 1-5/8" lag screws as described in the installation instructions. Locate the adjustable center bracket so that the TorqueMaster™ tube assembly is parallel to the door header (Figure 4). Fully tighten the 1/4 - 20 x 9/16" track bolts and hex nuts.

INSTALLING TORQUEMASTER™ END BRACKETS

► Step 5

Slide the TorqueMaster™ end bracket over the drive gear and fasten to the end bracket extension using a #10 self tapping screw. Now secure the end bracket to the end bracket extension using (2) 1/4 - 14 x 5/8" self tapping screws (Figure 5).

IMPORTANT! DO NOT USE SUPPLIED 5/16" X 1-5/8" LAG SCREWS TO ATTACH THE END BRACKET TO THE END BRACKET EXTENSIONS.



Free Manuals Download Website

<http://myh66.com>

<http://usermanuals.us>

<http://www.somanuals.com>

<http://www.4manuals.cc>

<http://www.manual-lib.com>

<http://www.404manual.com>

<http://www.luxmanual.com>

<http://aubethermostatmanual.com>

Golf course search by state

<http://golfingnear.com>

Email search by domain

<http://emailbydomain.com>

Auto manuals search

<http://auto.somanuals.com>

TV manuals search

<http://tv.somanuals.com>