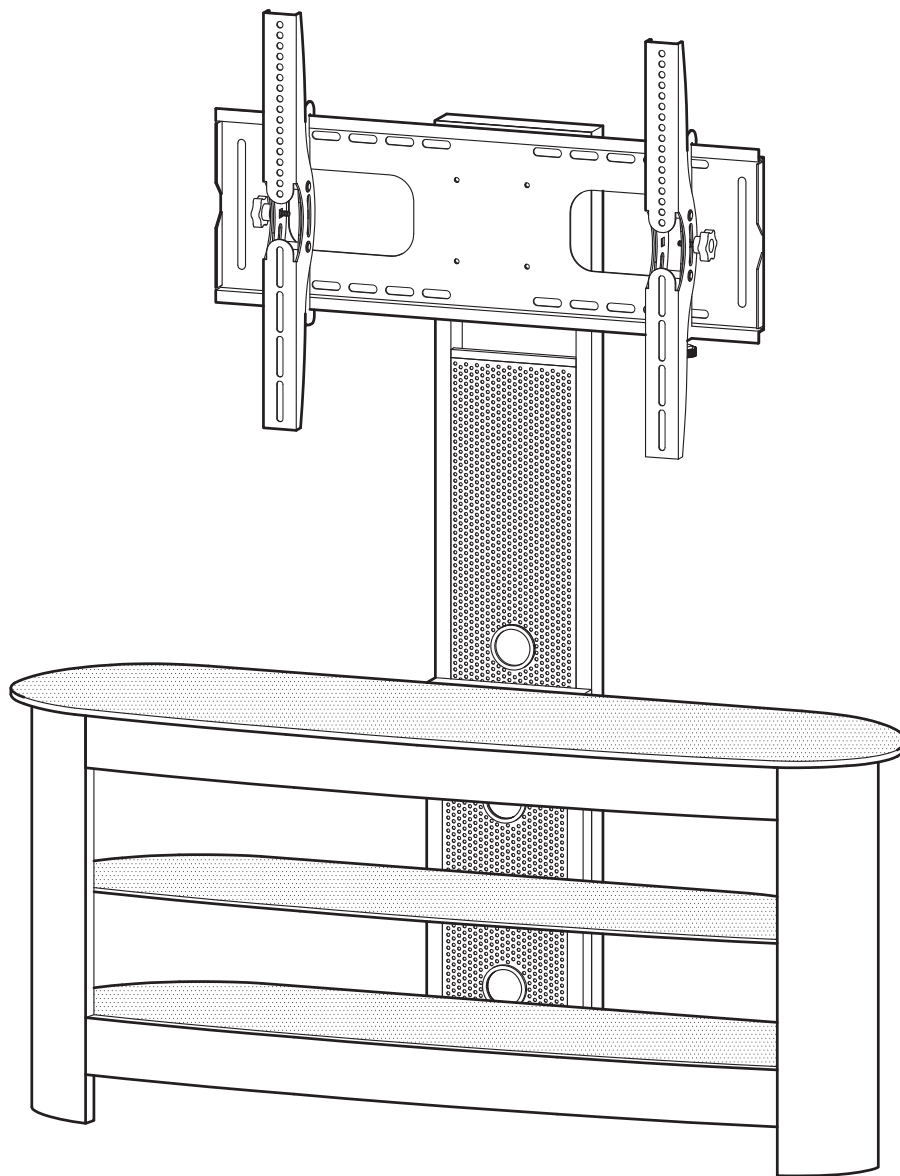


W Walker
Edison
furniture company

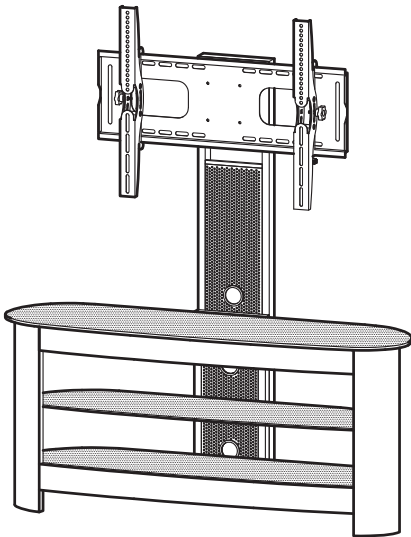
Item #: V42MWF
Assembly Instructions



For our most current instructions, to request missing, lost or broken parts, or for any other Customer Service issues, please visit our website at www.walkeredison.com or call us at 877-207-5906.

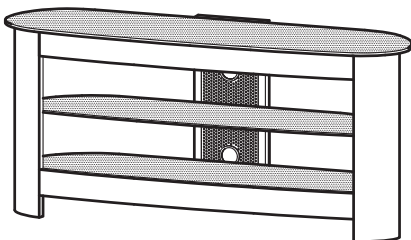
Revised 11/2011

This TV stand can be assembled in three (3) different configurations depending on personal preference. Each configuration is outlined below with the appropriate assembly steps required. Also, each step throughout these assembly instructions includes a small icon of the corresponding configuration for your reference.



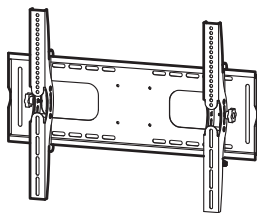
Configuration 1 - TV Mounted on Stand

To build this configuration, follow steps 1 through 12.



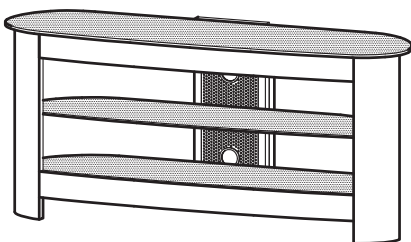
Configuration 2 - TV Stand Only

To build this configuration, follow steps 1 through 5 and step 11.

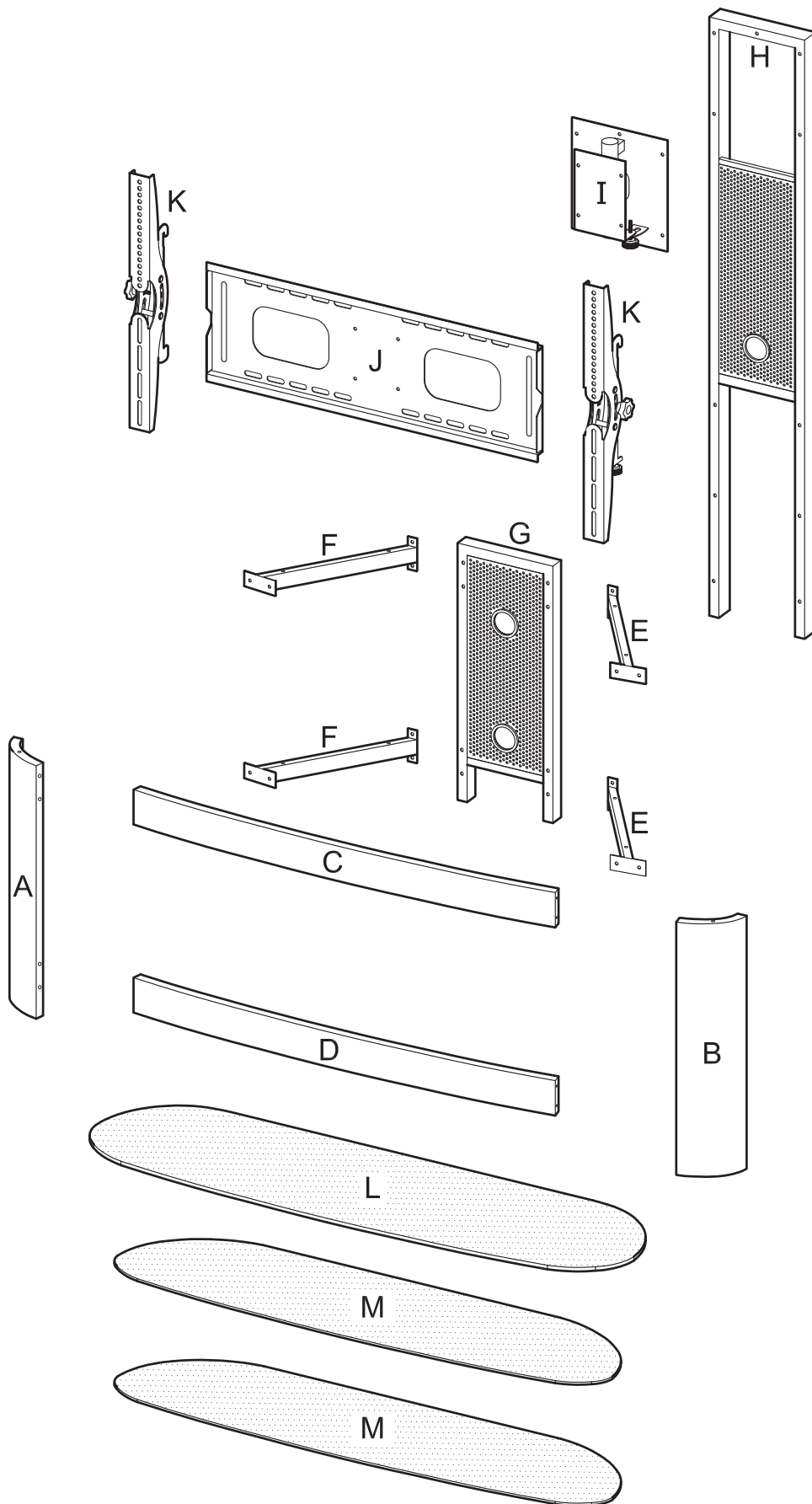


Configuration 3 - TV Mounted to Wall with Stand Below

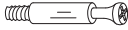









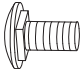



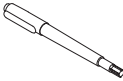
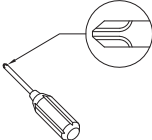
To build this configuration, follow steps 1 through 5 and step 9. Follow step 13 for instructions on how to attach the mount to the wall.



Parts List

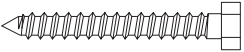
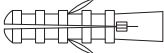



















Hardware List

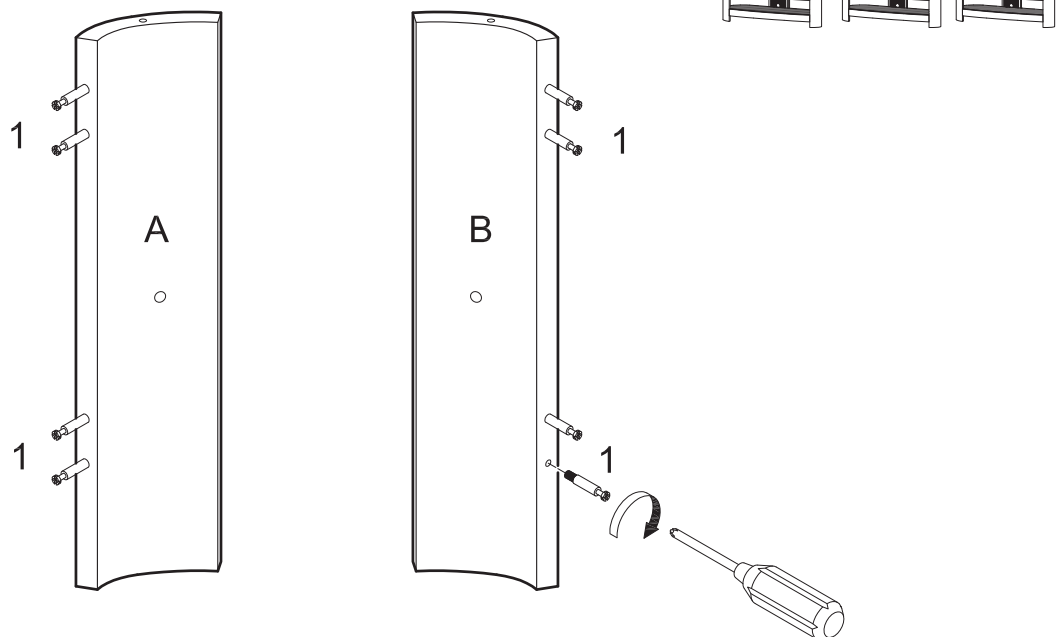
1			Cam bolt	8 pcs
2			Cam lock	8 pcs
3		Ø1/4"x1/2"	Bolt	16 pcs
4		Ø16mm	Washer	35 pcs
5			Suction cup pin	8 pcs
6			Pin	4 pcs
7		Ø1/4"x2"	Bolt	6 pcs
8			Nut	4 pcs
9			Rubber pad	2 pcs
10			Adjustment knob	2 pcs
11			Flange bolt	2 pcs
12		M4	Wrench	1 pc
13			Wrench	1 pc
14		Ø1/4"x3/4"	Bolt	9 pcs
15			Touch-up marker	1 pc
			Phillips head screwdriver required for assembly (not included)	

*The hardware quantities listed above are required for proper assembly.
Some extra hardware may also have been included.*

TV Mounting Hardware List

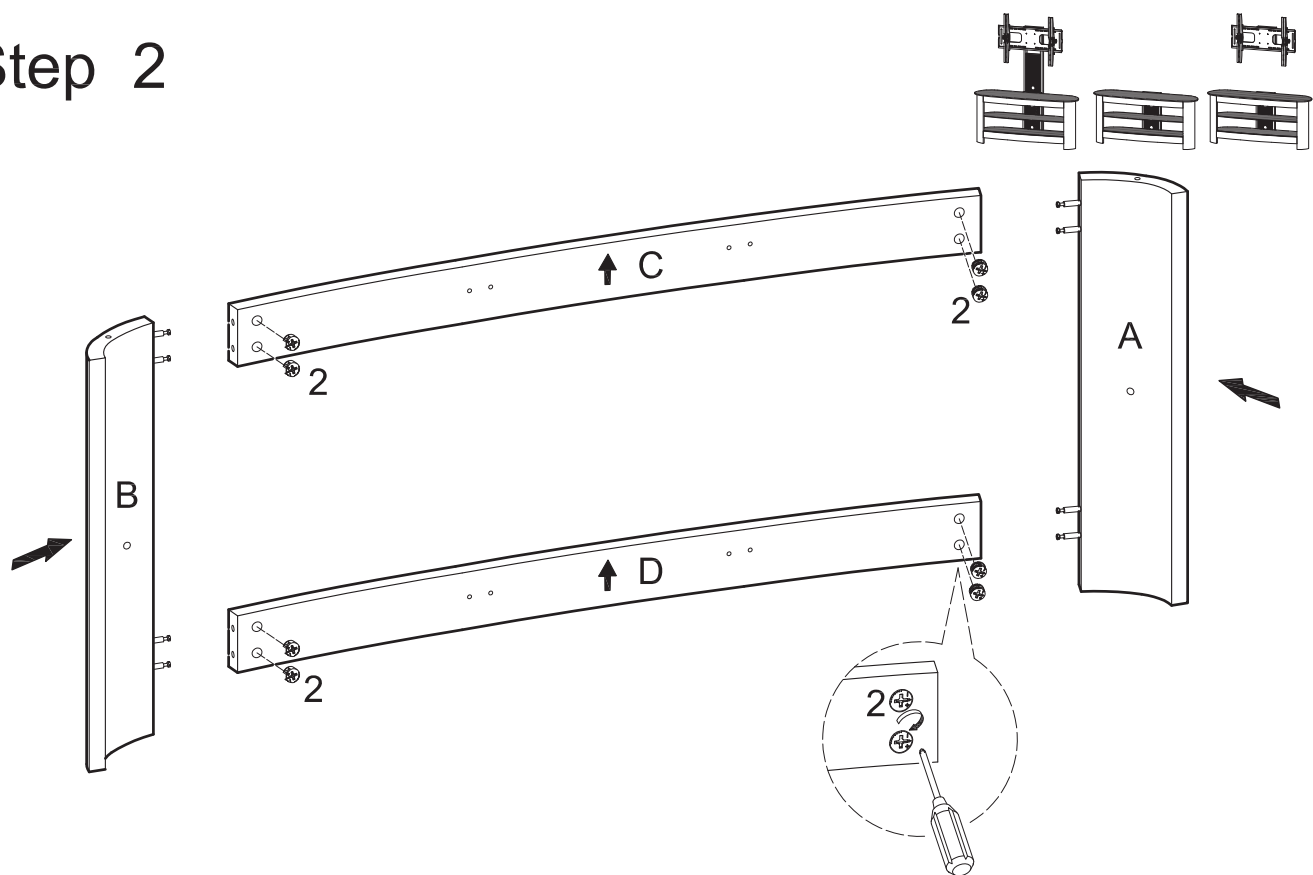
	2.5"	Cement bolt	6 pcs
		Cement anchor	6 pcs
		Small washer	10 pcs
		Large washer	10 pcs
	M4/M5x15mm	Small spacer	4 pcs
	M6/M8x19mm	Large spacer	4 pcs
	M4x12	Bolt	4 pcs
	M4x30	Bolt	4 pcs
	M5x12	Bolt	4 pcs
	M5x30	Bolt	4 pcs
	M6x12	Bolt	4 pcs
	M6x30	Bolt	4 pcs
	M6x40	Bolt	4 pcs
	M8x16	Bolt	4 pcs
	M8x40	Bolt	4 pcs
	M8x30	Bolt	4 pcs
	2.5"L	Wood screw	6 pcs
	1.5"L	Self-drilling metal screw	6 pcs
	M5	Wrench	1 pc

Step 1



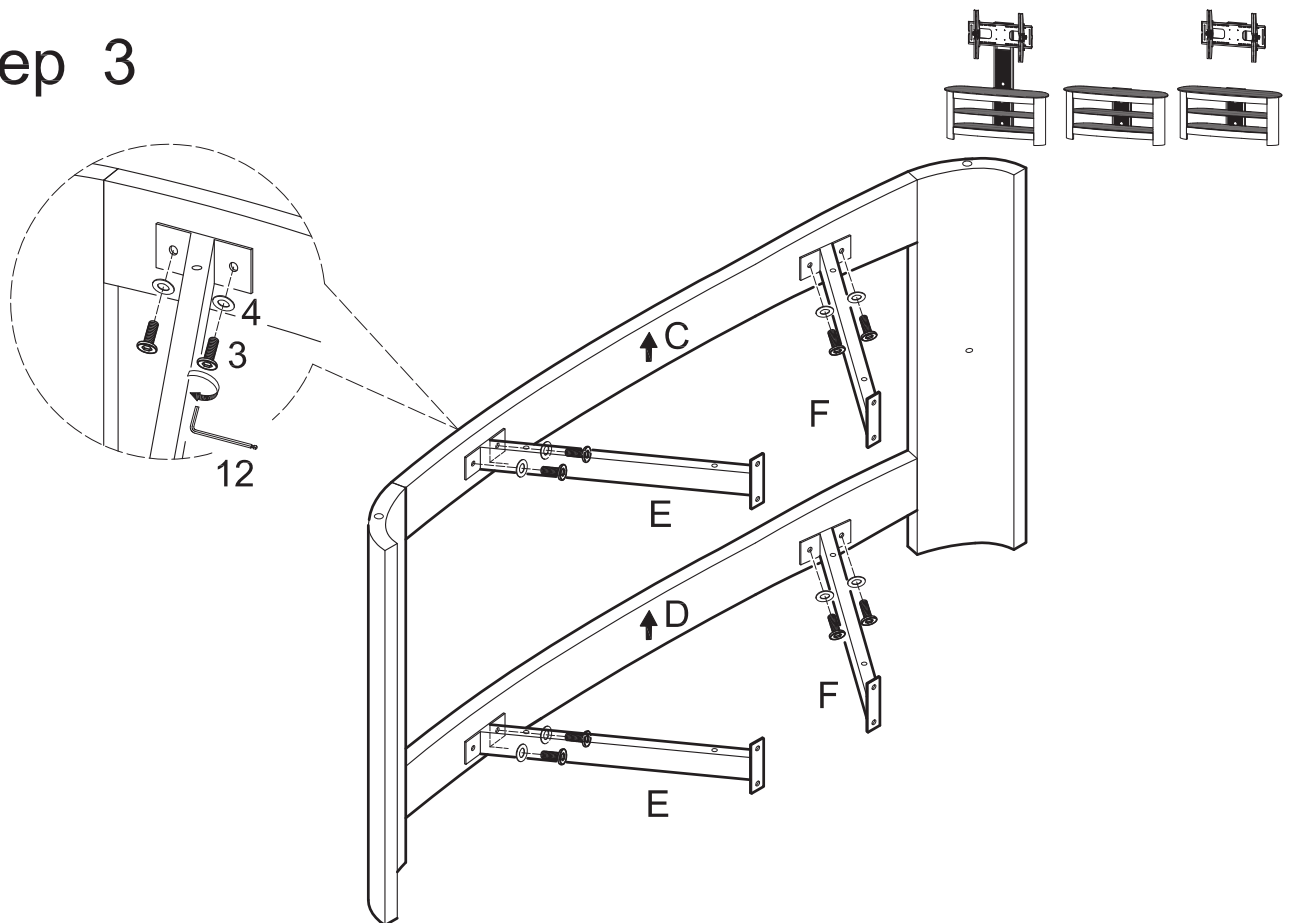
Screw cam bolts (1) into legs (A,B).

Step 2



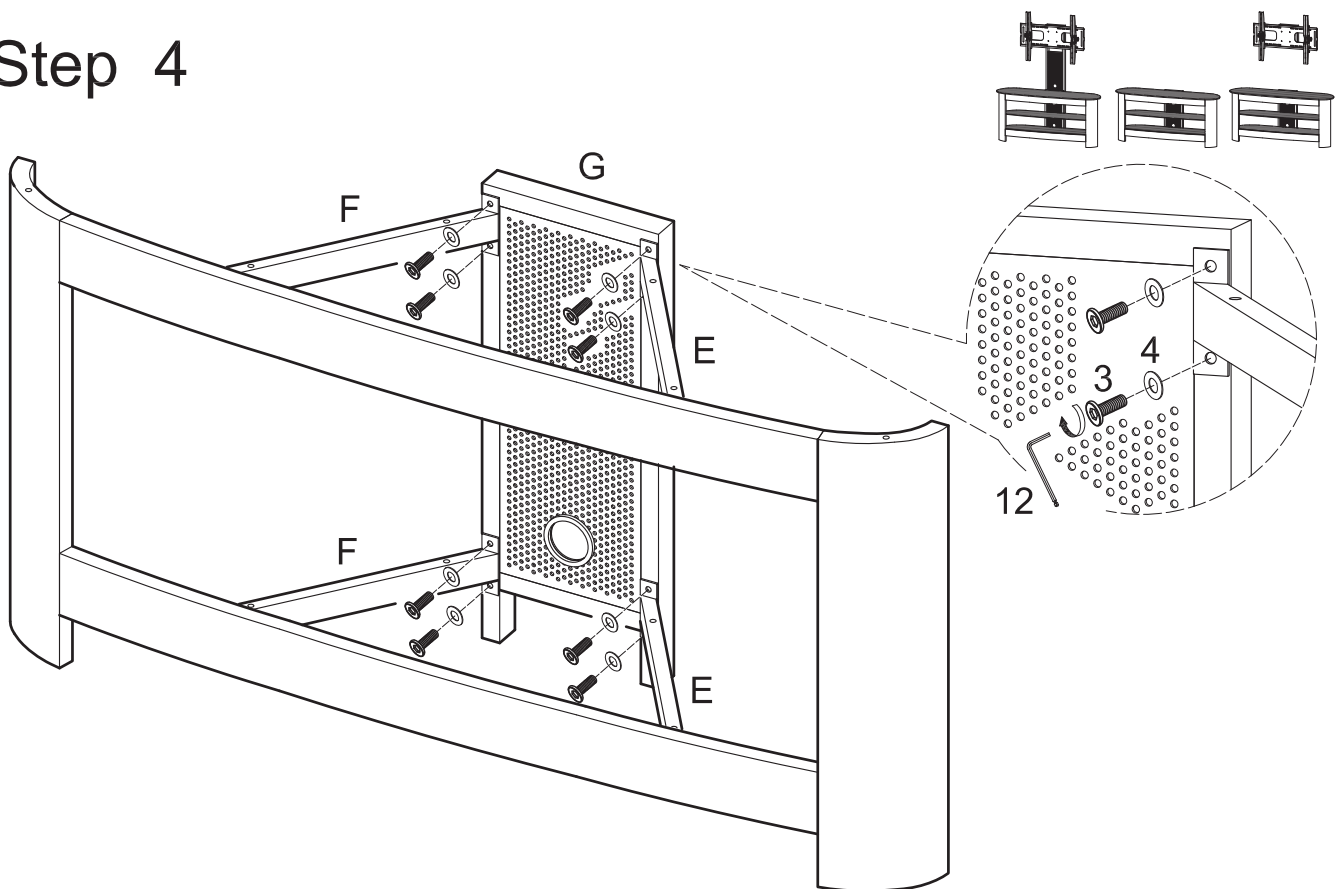
Insert cam locks (2) into front panels (C,D). Attach legs (A,B) to front panels (C,D) using cam bolts as guides. Tighten cam locks (2) with a screwdriver.

Step 3



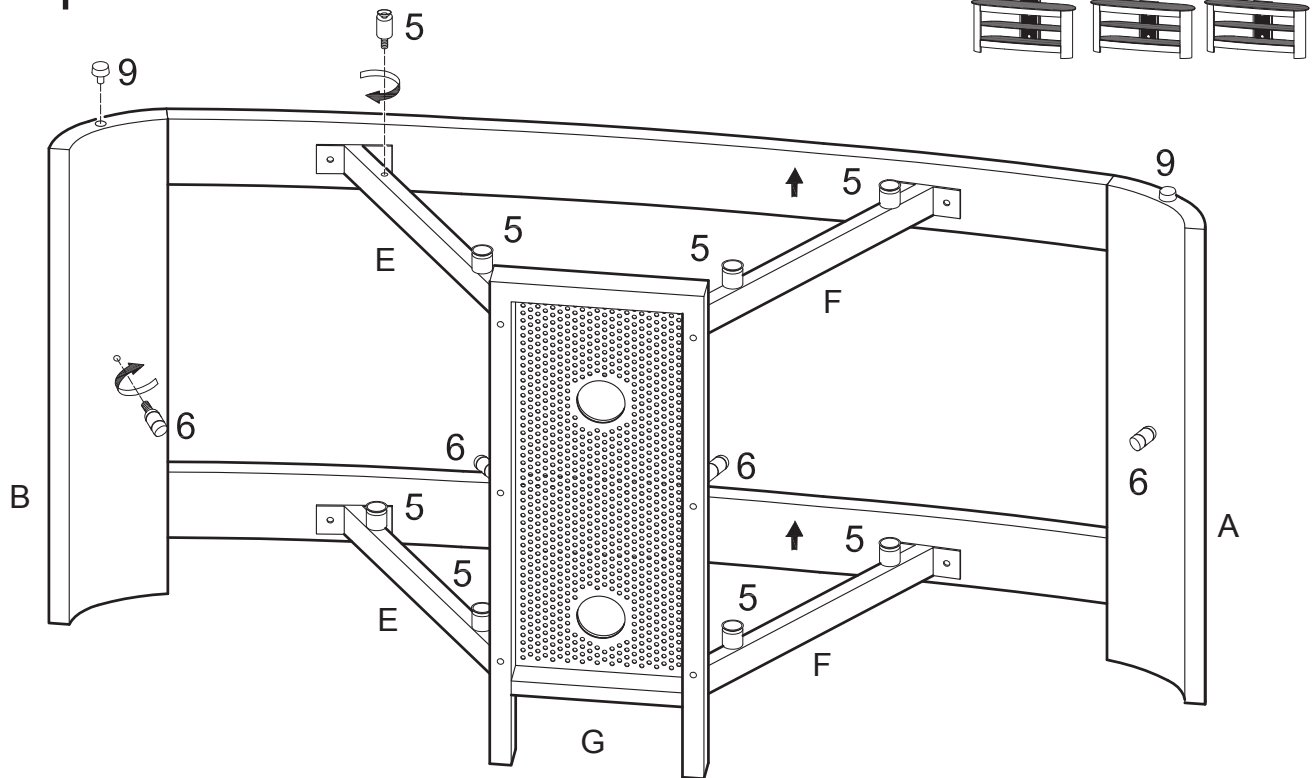
Attach crossbars (E,F) to front panels (C,D) using bolts (3) and washers (4). *Note that the predrilled holes on the lengths of crossbars (E,F) will face up.* Tighten bolts (3) with wrench (12).

Step 4



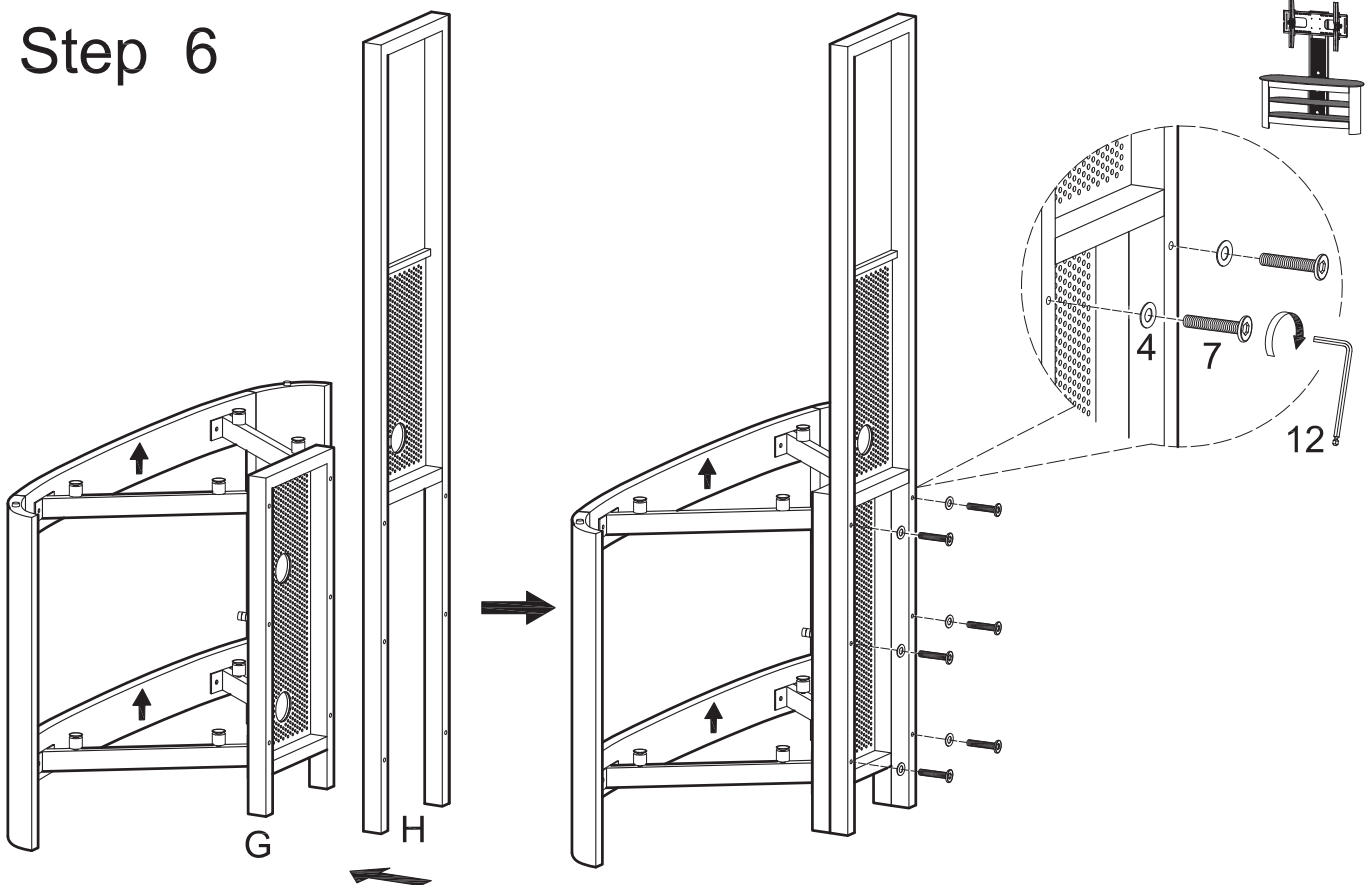
Attach crossbars (E,F) to lower cable management system (G) using bolts (3) and washers (4). *It may be necessary to slightly loosen the bolts from Step 3 in order to align crossbars (E,F) properly.* Tighten all bolts (3) with wrench (12).

Step 5



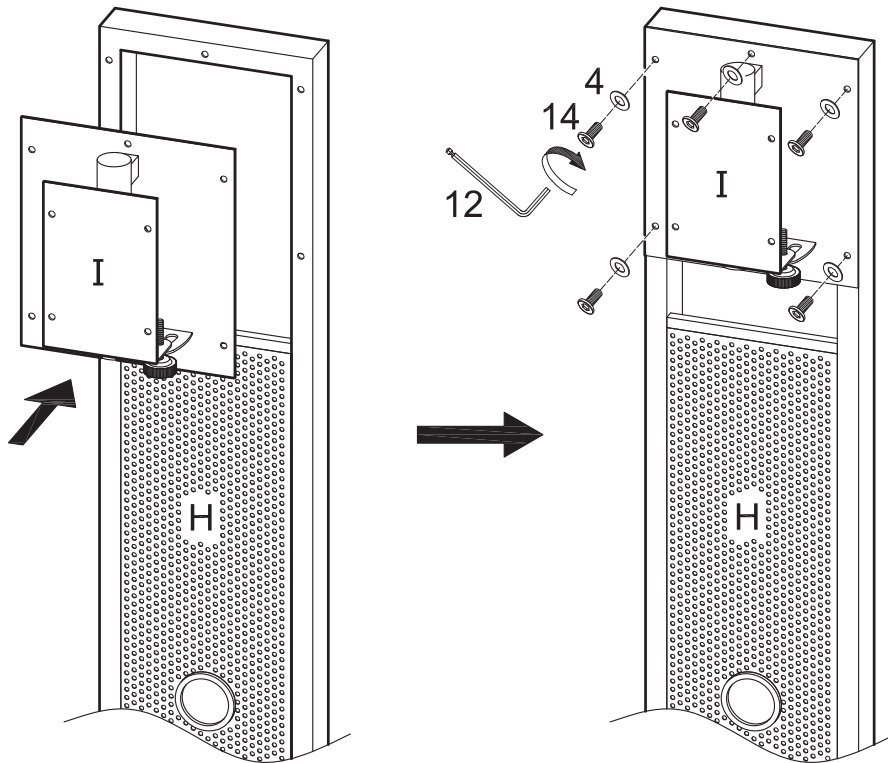
Screw suction cup pins (5) into crossbars (E,F). Screw pins (6) into legs (A,B) and lower cable management system (G). Insert rubber pads (9) into legs (A,B).

Step 6



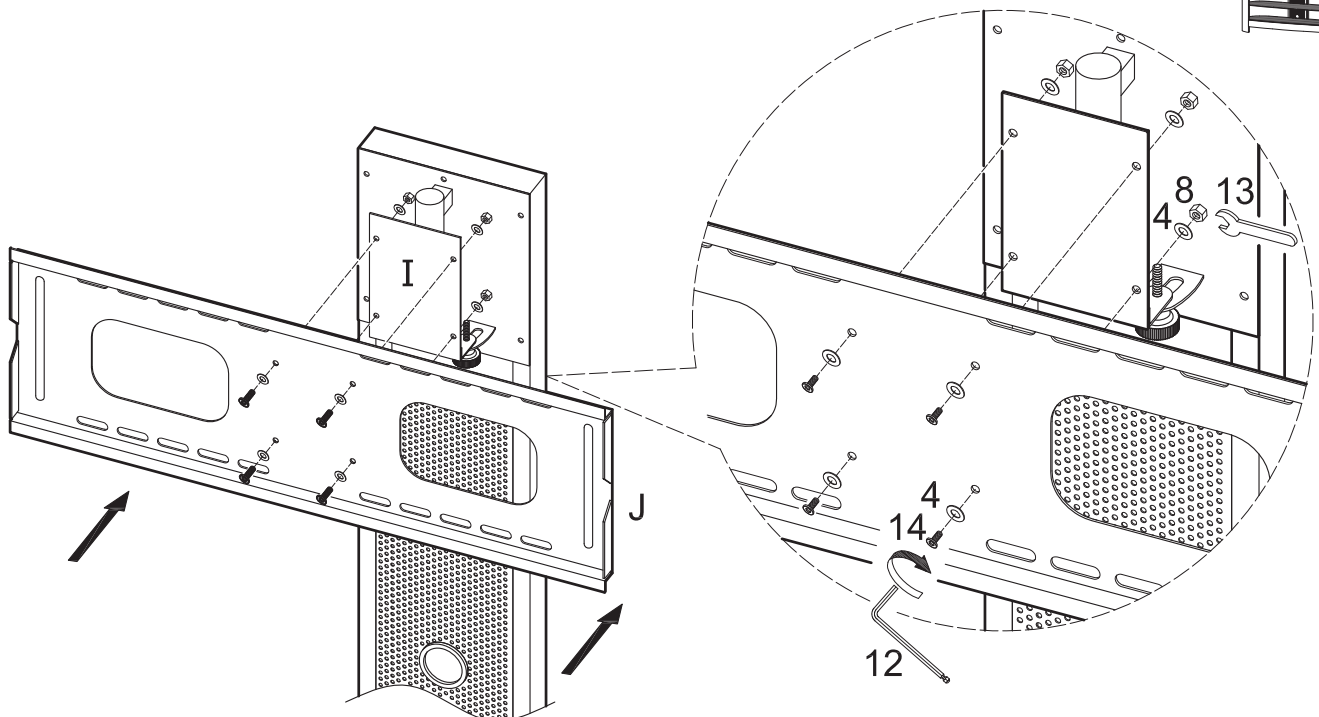
Attach upper cable management system (H) to lower cable management system (G) using bolts (7) and washers (4). Tighten bolts (7) with wrench (12).

Step 7



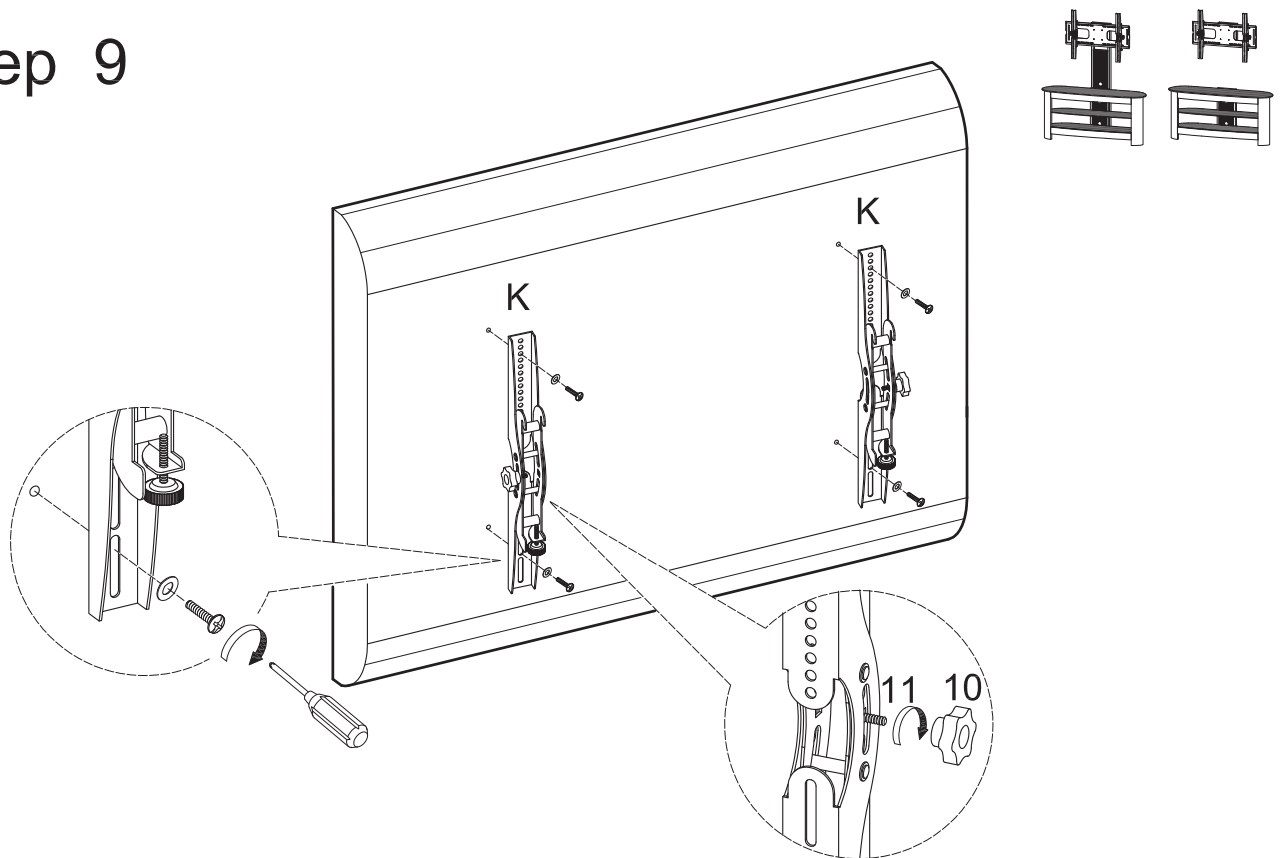
Attach pivoting bracket (I) to upper cable management system (H) using bolts (14) and washers (4). Tighten bolts (14) with wrench (12).

Step 8



Attach base bracket (J) to pivoting bracket (I) by inserting bolts (14) with washers (4) through base bracket (J) and pivoting bracket (I) as shown above. Then, screw nuts (8) with washers (4) onto bolts (14). Using wrenches (12,13) together, firmly tighten bolts (14) and nuts (8).

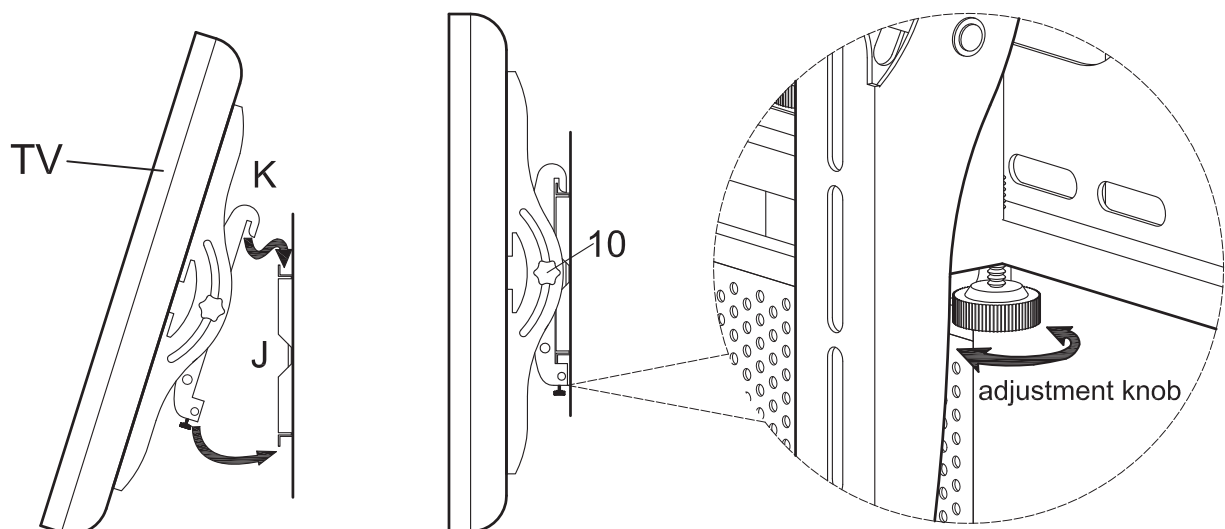
Step 9



Attach mounting brackets (K) to the TV using the appropriate hardware from the TV mounting hardware kit. *Appropriate hardware will vary depending on TV type.* Attach tilt adjustment knobs (10) to mounting brackets (K) using flange bolts (11).

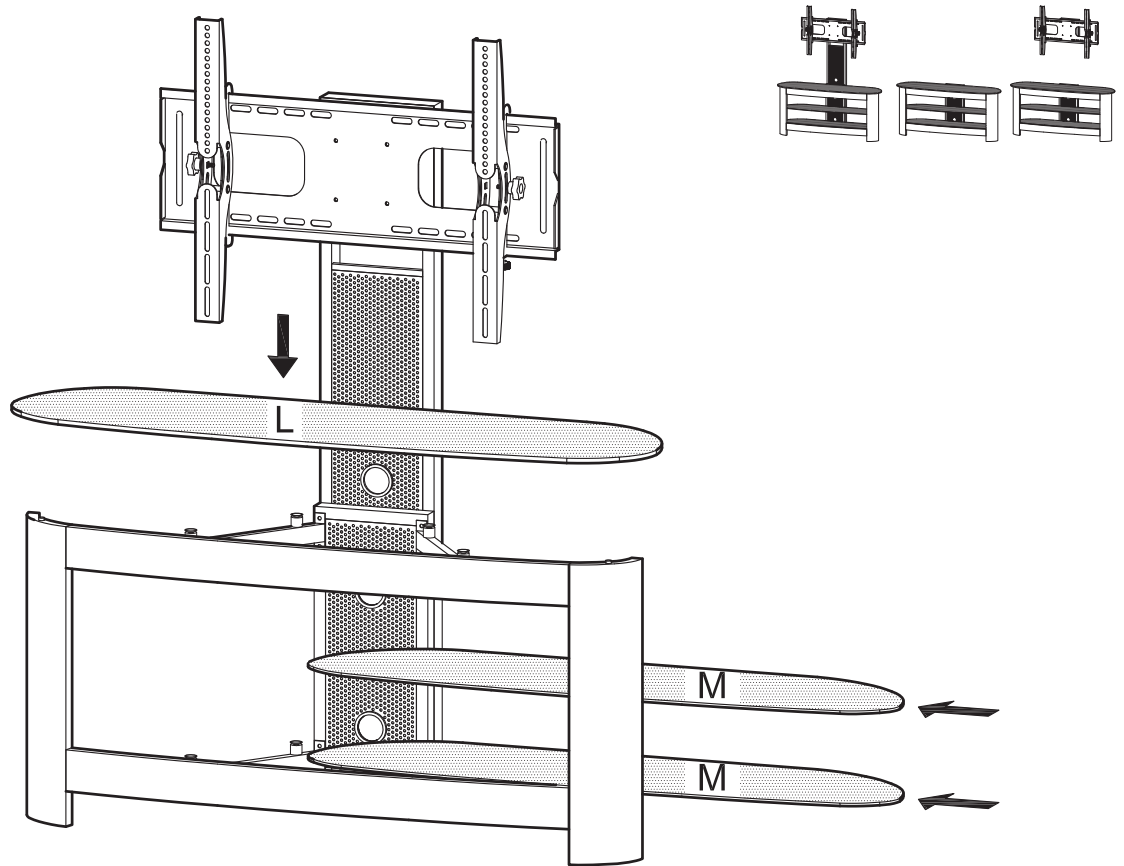
Step 10

Two people are recommended for this step!



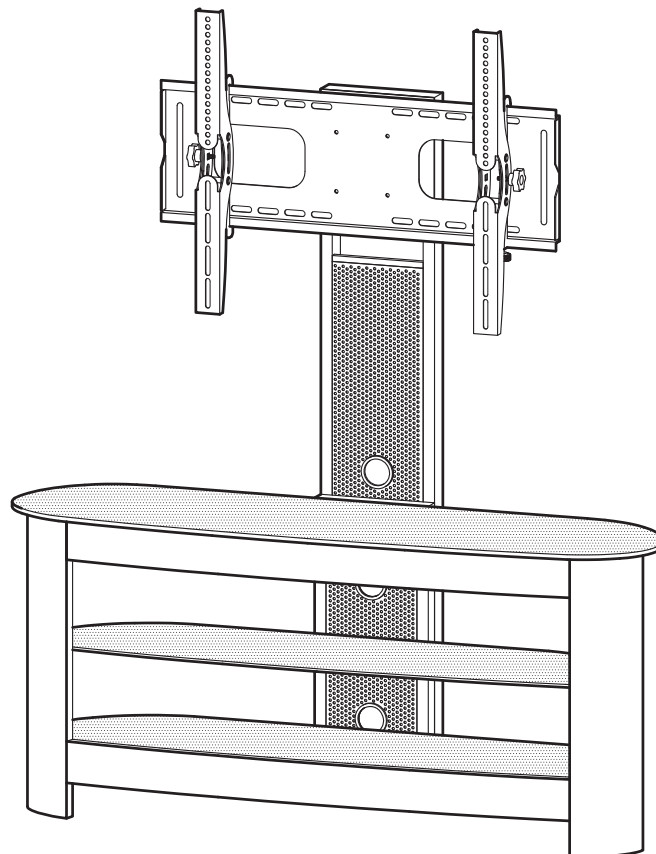
Loosen the adjustment knobs at the base of mounting brackets (K). Carefully hook mounting brackets (K) onto base bracket (J). Tighten the adjustment knobs at the base of mounting brackets (K) to secure the TV to the mount. To adjust the tilt of the TV, loosen tilt adjustment knobs (10), tilt TV up or down then tighten tilt adjustment knobs (10).

Step 11



Carefully slide glass shelves (M) into place. Carefully place glass shelf (L) on top of the stand and gently push down to secure.

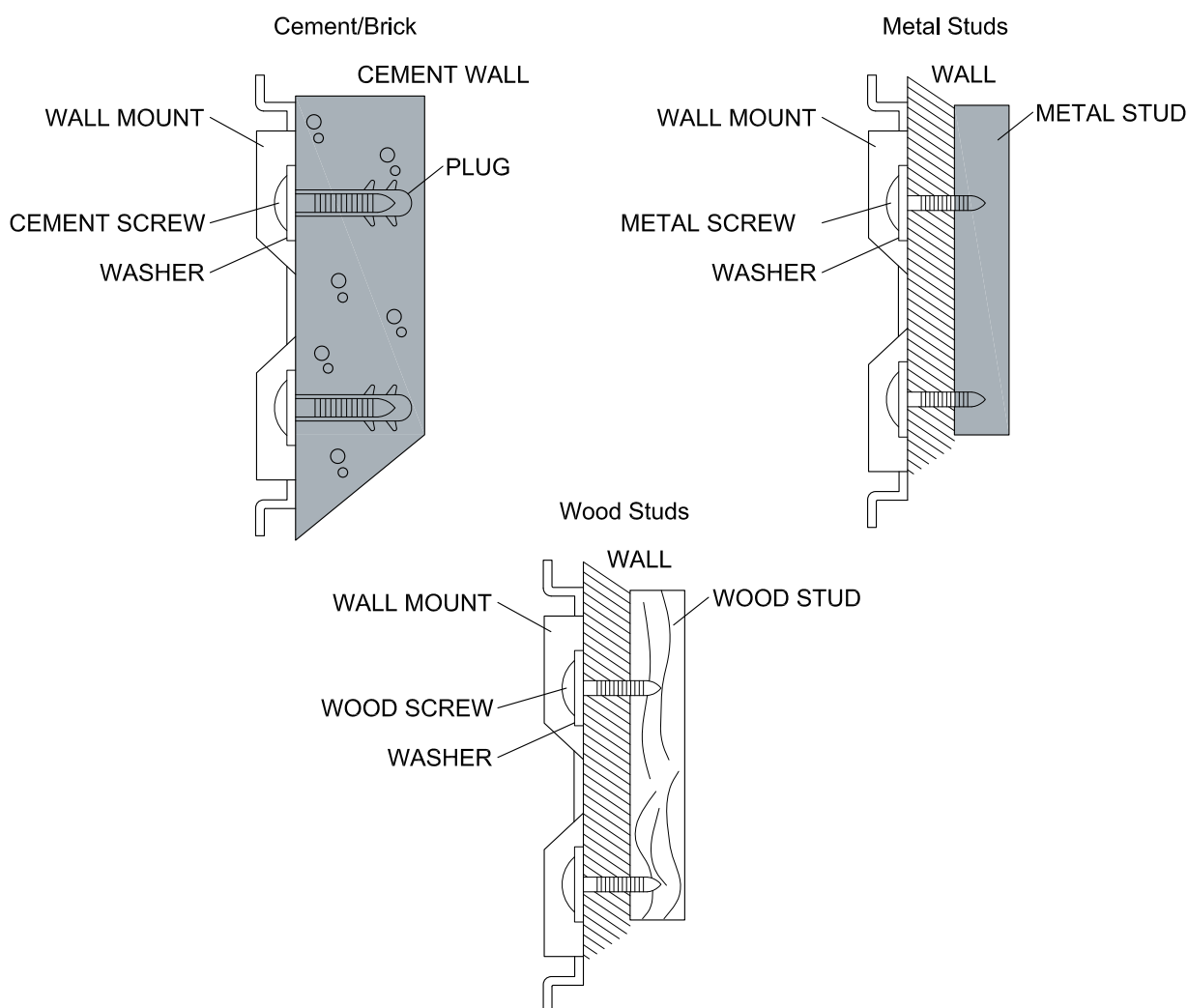
Step 12



Final Assembly

Step 13

To attach the mount to the wall, use only wall screws and plugs (if needed) suitable for the particular wall type. Due to the wide variety of wall types, we cannot describe them all here. However, we have included illustrations showing installation for some common wall types. You must mount to the structure of the wall, i.e. wood studs, metal studs, or cement/brick directly. DO NOT attach to the surface of the wall without anchoring into the structural framework of the wall. Some hardware for attaching to the wall has been included, and additional screws and plugs are available from any hardware store if needed. Please seek professional advice if you are unsure of your own ability to do this correctly. Walker Edison makes no representation of warranty, expressed or implied, to the strength of any type of wall structure and the walls ability to hold your TV. You assume all responsibility and indemnify Walker Edison of any and all damages that may be incurred with mounting your TV to the wall.



Walker Edison Furniture Co. intends to make these instructions accurate and complete. However, Walker Edison makes no claim that the information contained herein covers all details, conditions, or variations. Nor does it provide for every possible contingency in connection with the installation or use of this product. The information contained in this document is subject to change without notice or obligation of any kind. Walker Edison makes no representation of warranty, expressed or implied, regarding the information contained herein. Walker Edison assumes no responsibility for accuracy, completeness or sufficiency of the information contained in this document.

Free Manuals Download Website

<http://myh66.com>

<http://usermanuals.us>

<http://www.somanuals.com>

<http://www.4manuals.cc>

<http://www.manual-lib.com>

<http://www.404manual.com>

<http://www.luxmanual.com>

<http://aubethermostatmanual.com>

Golf course search by state

<http://golfingnear.com>

Email search by domain

<http://emailbydomain.com>

Auto manuals search

<http://auto.somanuals.com>

TV manuals search

<http://tv.somanuals.com>