

# Maestro

## Instruction Booklet

This book covers the use and care of the following Sunbeam Toasters:

TA6420 Maestro 2 - 2 slice stainless steel toaster

TA6440 Maestro 4 - 4 slice stainless steel toaster

Please read these instructions carefully  
and retain for future reference.



# Contents

<b>Sunbeam's Safety Precautions</b>	<b>1</b>
<b>Features of your Maestro Toaster</b>	<b>2</b>
<b>Using your Maestro Toaster</b>	<b>4</b>
<b>Toaster Functions</b>	<b>5</b>
<b>Care and Cleaning</b>	<b>6</b>

## Important instructions – retain for future use.

تأكد من تفهم احتياطات السلامة المذكورة اعلاه

請務必理解上述的安全預防措施。

Assurez-vous que les précautions ci-dessus relatives à la sécurité sont bien comprises

Versichern Sie sich, dass die obenstehenden Sicherheitsmaßnahmen Verstanden werden

Βεβαιώνετε πως οι παραπάνω προφυλάξεις ασφαλείας γίνονται κατανοητές

Pastikan bahwa tindakan-tindakan keselamatan seperti di atas dimengerti anda

Accertatevi che le suddette norme di sicurezza siano comprese a dovere

上記の注意事項をよくお読みになり、安全を御確認ください

Уверете се дека погоре споменатите мерки на претпазливост се добро разбрани

Asegúrese de que las precauciones de seguridad precedentes sean bien comprendidas

کاری بکنید کہ احتیاطهای بالا حتماً درک بشوند

ต้องแน่ใจว่า ข้อควรระวังเรื่องความปลอดภัยข้างต้น เป็นที่เข้าใจกันดี

Yukarda belirtilen güvenlik önlemlerinin anlaşılığundan emin olunuz

Xin kiểm chắc rằng những biện pháp làm an toàn kể trên được hiểu rõ

# Sunbeam's Safety Precautions

## SAFETY PRECAUTIONS FOR YOUR SUNBEAM TOASTER.

- Do not place any objects such as toast, bread or similar on top of your toaster when in use.
- Operate the toaster on a flat level surface.
- The bread may burn, therefore do not use the toaster near or below combustible material, such as curtains.
- Do not leave your toaster unattended when in use.
- Clean crumb tray regularly.
- Do not allow crumbs to accumulate in the crumb tray.
- Do not toast stale bread, rice crackers or similar on a high setting as they may catch fire.
- **WARNING:** Never attempt to extract jammed toast, crumpets or muffins with a knife or any other metal object, as contact with a live element may cause electrocution.

**Sunbeam is very safety conscious when designing and manufacturing consumer products, but it is essential that the product user also exercise care when using an electrical appliance. Listed below are precautions which are essential for the safe use of an electrical appliance:**

- Read carefully and save all the instructions provided with an appliance.
- Always turn the power off at the power outlet before you insert or remove a plug. Remove by grasping the plug - do not pull on the cord.
- Turn the power off and remove the plug when the appliance is not in use and before cleaning.
- Do not use your appliance with an extension cord unless this cord has been checked and tested by a qualified technician or service person.
- Always use your appliance from a power outlet of the voltage (A.C. only) marked on the appliance.
- This appliance is not intended for use by persons (including children) with reduced physical, sensory or mental capabilities, or lack of experience and knowledge, unless they have been given supervision or instruction concerning use of the appliance by a person responsible for their safety.
- Children should be supervised to ensure that they do not play with the appliance.
- The temperature of accessible surfaces may be high when the appliance is operating.
- Never leave an appliance unattended while in use.
- Do not use an appliance for any purpose other than its intended use.
- Do not place an appliance on or near a hot gas flame, electric element or on a heated oven.
- Do not place on top of any other appliance.
- Do not let the power cord of an appliance hang over the edge of a table or bench top or touch any hot surface.
- Do not operate any electrical appliance with a damaged cord or after the appliance has been damaged in any manner. If damage is suspected, return the appliance to the nearest Sunbeam Appointed Service Centre for examination, repair or adjustment.
- For additional protection, Sunbeam recommend the use of a residual current device (RCD) with a tripping current not exceeding 30mA in the electrical circuit supplying power to your appliances.
- Do not immerse the appliance in water or any other liquid unless recommended.
- Appliances are not intended to be operated by means of an external timer or separate remote control system.
- This appliance is intended to be used in household and similar applications such as: staff kitchen areas in shops, offices and other working environments; farm houses; by clients in hotels, motels and other residential type environments; bed and breakfast type environments.

If you have any concerns regarding the performance and use of your appliance, please visit [www.sunbeam.com.au](http://www.sunbeam.com.au) or contact the Sunbeam Consumer Service Line. Ensure the above safety precautions are understood.

# Features of your Maestro Toaster

## Extra wide and deep bread slots

Enables you to toast a large variety of breads - regardless of thickness.

## Self-centring bread slots

Whether you are toasting thick or thin slices, your bread will always be held in the centre of the slot to ensure even toasting.

## Cord storage

The cord can be wrapped underneath for safe and convenient storage.

## Electronic browning control

Variable toast settings from 1 - 6 allow you to toast your bread to the desired colour every time. The toast setting can be selected by pressing the up or down button.

## Reheat button

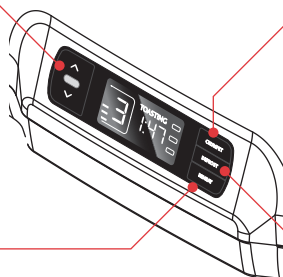
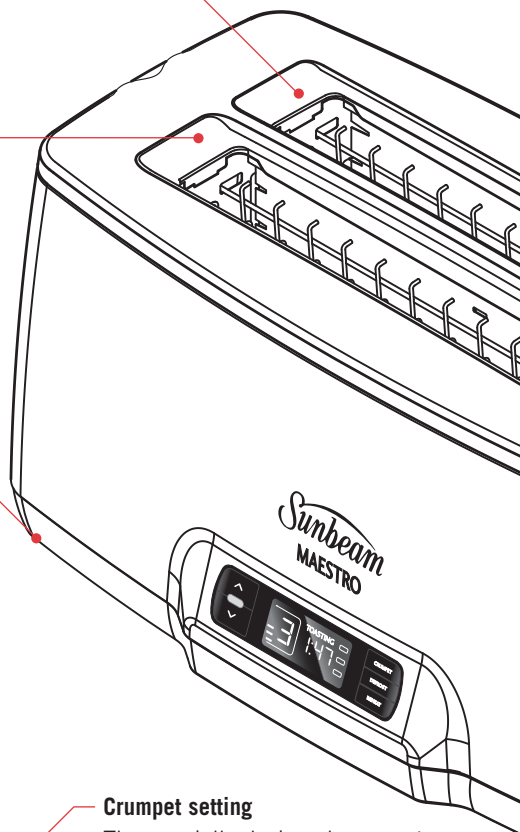
The Reheat button can be selected after the toasting cycle has finished. It reheats the toast for 30 seconds.

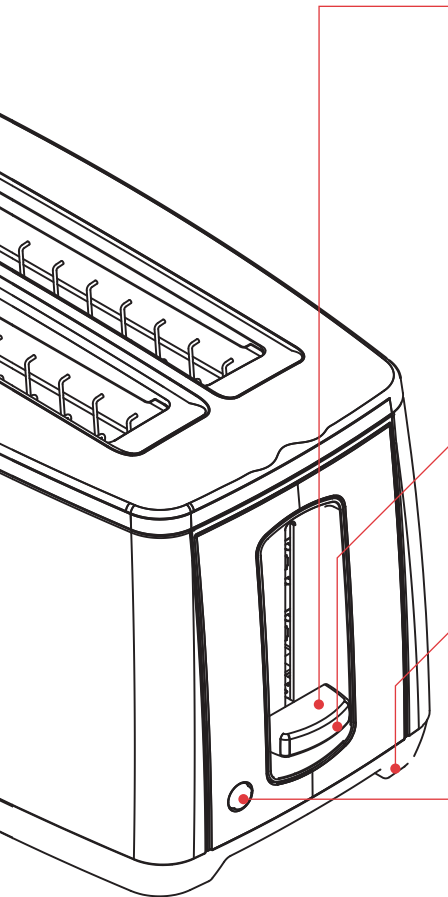
## Crumpet setting

The specially designed crumpet feature emits extra heat from the centre elements, to cook the top of your crumpet perfectly without burning the bottom.

## Frozen setting

The Frozen setting ensures bread can be toasted straight from the freezer.





### **QuickCheck Feature**

The progress of the toast can be checked at any time by lifting up the toasting lever. This can be done without interrupting the toasting cycle.

### **High-lift and toasting lever**

Raises the toast above the starting position so you can remove the toast from the toaster without burning your fingers. Ideal for crumpets and muffins.

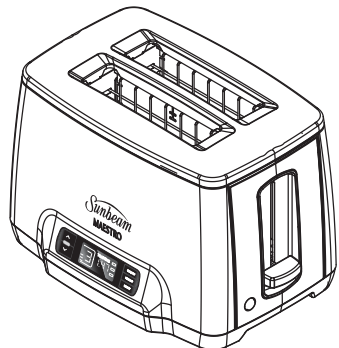
### **Removable crumb tray**

Pulls out from underneath your toaster for easy removal of crumbs.

### **Cancel**

The Cancel button immediately interrupts any toasting cycle and pops the toast up.

## Maestro 2 Slice Toaster



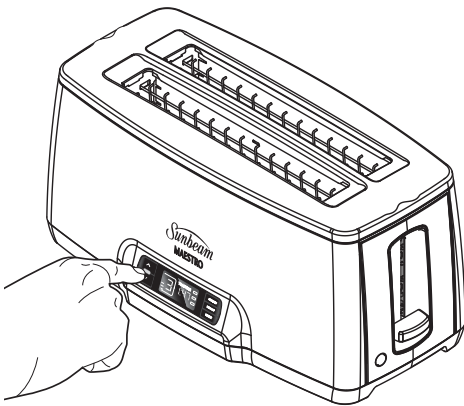
# Using your Maestro Toaster

Plug the toaster into a 230-240 volt AC power outlet and switch the power on.

## Toasting Bread

1. Position the bread into the bread slot.
2. Select the desired browning setting using the Electronic Browning Control by pressing the buttons on the left hand side of the LED panel up and down.  
**Note:** If toasting 1 slice (in the TA6240 Maestro 2) or 2 slices (in the TA6440 Maestro 4) it is recommended that you use a lower browning setting to achieve your required result and to prevent burning.  
**Important:** Do not toast stale bread, rice crackers or similar on a high setting as there is a chance that they may catch fire.
3. Push the Toasting Lever down to commence the toasting cycle.
4. The LCD screen will show how long the toasting cycle will take and will count down in minutes and seconds until the toasting cycle has finished.

5. When the desired browning is achieved, the toaster will beep once and automatically stop toasting and pop the toast up.
6. If you need to remove the toast before the cycle is complete, press the Cancel button on the right hand side of the toaster next to the toasting lever. The Cancel button will immediately interrupt the toasting cycle and pop the toast up.
7. The QuickCheck feature enables you to check on the progress of your toast without interrupting the toasting cycle. Simply lift up the toasting lever to view the toast and then release when you have finished. If the toast is ready press the Cancel button.
8. To remove small pieces of toast, crumpets or bagels, use the High-lift Lever to lift the toast above the starting position. This will prevent burning your fingers as you remove the toast.



# Toaster Functions

## Cancel button

The Cancel button immediately stops any of the toasting cycles. As a consequence of this, the toast will pop up. Pressing Cancel also puts the electronic browning setting back to default level 2.

## High-lift lever

When toasting small pieces of bread, crumpets or muffins we recommend using the High-lift lever to prevent you from burning your fingers.

## QuickCheck

The QuickCheck feature enables you to check on the progress of your toast without interrupting the toasting cycle. Simply lift up the toasting lever to view the toast and then release when you have finished. If the toast is ready press the Cancel button.

## Crumpet Feature

The specialised crumpet setting cooks crumpets to perfection. When activated, additional heat is emitted from the centre elements to cook the top of your crumpet faster than the bottom. The top of the crumpet(s) must be facing towards the centre element. See figure 1.

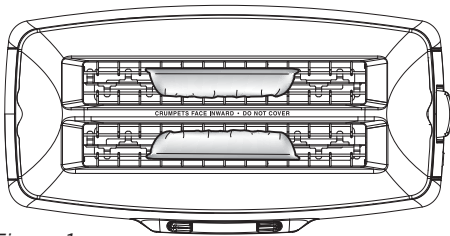


Figure 1

This feature is activated by pressing the crumpet button on at any time for example, before or at the start the toasting cycle.

## Defrost Feature

The defrost feature can be used to toast your frozen bread. The colour of your toast will be brown according to the toasting setting you have chosen. This feature is activated by pressing the frozen button on at any time for example, before or at the start of the toasting cycle.

**Note:** When using the Crumpet and Frozen functions it is still very important to set the Electronic Browning Control to your desired setting.

## Reheat button

The Reheat button can be selected after the toasting cycle has finished. Simply select the reheat button and press the toasting lever down to start the reheat cycle. If the Reheat button is selected in the first 30 seconds of the toasting cycle it will override the toasting cycle. If the toasting cycle has been running for over 30 seconds the Reheat button will cancel the toasting cycle after 5 seconds.

## Standby Mode

If the toaster isn't used for over 5 mins it will go into standby mode. It can be reactivated by pressing any button.

# Toasting Tips

- If your bread jams in the toaster, switch power off, remove the plug from the power outlet and ease the bread out of the toaster.
- Ensure muffins or bagels are cut into even halves and fit freely into the bread slot. Do not force them into the toaster.
- When toasting only one piece in your Maestro 4 slice toaster (TA6440) position the bread in the middle of the bread slot. When toasting two pieces in your 4 slice toaster, position one piece in the centre of each slot.
- If toasting 1 slice (in the TA6240 Maestro 2) or 2 slices (in the TA6440 Maestro 4) it is recommended that you use a lower toaster setting to achieve your required result and to prevent burning.

**WARNING: Never attempt to extract jammed toast, muffins, bagels or crumpets with a knife or any other metal object, as contact with the live element may cause electrocution.**



# Care and Cleaning

Always turn the power OFF and remove the plug from the power outlet after use and before cleaning your toaster.

## **To clean the exterior**

Wipe exterior with a slightly dampened cloth and polish with a soft dry cloth.

**Do not use metal scourers or abrasives as this may scratch the exterior surface.**

## **Removable Crumb Tray**

To remove the crumbs, simply press to release and slide out the tray, empty and place it back in the toaster.

**Important:** Clean the crumb tray regularly. Do not allow crumbs to accumulate, as they may cause a potential fire hazard.

## **To clean the toaster interior**

Clean inside the toaster regularly. To do this, unplug the appliance, turn it upside down over the sink and gently shake all the crumbs out.

# Notes

# 12 Month Replacement Guarantee

In the unlikely event that this appliance develops any malfunction within 12 months of purchase (3 months commercial use) due to faulty materials or manufacture, we will replace it for you free of charge.

Should you experience any difficulties with your appliance, please phone our customer service line for advice on 1300 881 861 in Australia, or 0800 786 232 in New Zealand. Alternatively, you can send a written claim to Sunbeam at the address listed below. On receipt of your claim, Sunbeam will seek to resolve your difficulties or, if the appliance is defective, advise you on how to obtain a replacement or refund.

Your Sunbeam 12 Month Replacement Guarantee naturally does not cover misuse or negligent handling and normal wear and tear.

Similarly your 12 Month Replacement Guarantee does not cover freight or any other costs incurred in making a claim. Please retain your receipt as proof of purchase.

The benefits given to you by this guarantee are in addition to your other rights and remedies under any laws which relate to the appliance.

Our goods come with guarantees that cannot be excluded under the Australian Consumer Law and under the New Zealand Consumer Guarantees Act.

In Australia you are entitled to a replacement or refund for a major failure and for compensation for any other reasonably foreseeable loss or damage. You are also entitled to have the goods repaired or replaced if the goods fail to be of acceptable quality and the failure does not amount to a major failure.

Should your appliance require repair or service after the guarantee period, contact your nearest Sunbeam service centre.

For a complete list of Sunbeam's authorised service centres visit our website or call:

## **Australia**

[www.sunbeam.com.au](http://www.sunbeam.com.au)

**1300 881 861**

Units 5 & 6, 13 Lord Street  
Botany NSW 2019 Australia

## **New Zealand**

[www.sunbeam.co.nz](http://www.sunbeam.co.nz)

**0800 786 232**

26 Vestey Drive, Mt Wellington  
Auckland, New Zealand

## Need help with your appliance?

Contact our customer service team or visit our website for information and tips on getting the most from your appliance.

### In Australia

Visit [www.sunbeam.com.au](http://www.sunbeam.com.au)

Or call 1300 881 861

### In New Zealand

Visit [www.sunbeam.co.nz](http://www.sunbeam.co.nz)

Or call 0800 786 232

 is a registered trademark.

'Toastum' is a trademark of Sunbeam Corporation.

Made in China.

Due to minor changes in design or otherwise, the product may differ from the one shown in this leaflet.

© Copyright. Sunbeam Corporation Limited 2006.

ABN 45 000 006 771

Units 5 & 6, 13 Lord Street  
Botany NSW 2019 Australia

Unit 3, Building D  
26 Vestey Drive  
Mt Wellington Auckland  
New Zealand

Sunbeam Corporation is a division of GUD Holdings Ltd.

## Free Manuals Download Website

<http://myh66.com>

<http://usermanuals.us>

<http://www.somanuals.com>

<http://www.4manuals.cc>

<http://www.manual-lib.com>

<http://www.404manual.com>

<http://www.luxmanual.com>

<http://aubethermostatmanual.com>

Golf course search by state

<http://golfingnear.com>

Email search by domain

<http://emailbydomain.com>

Auto manuals search

<http://auto.somanuals.com>

TV manuals search

<http://tv.somanuals.com>