

Sunbeam®



STEAM MASTER RETRACTABLE CORD IRON

STEAM MASTER PLANCHA CON CABLE RETRACTABLE

Instruction Manual
STEAM MASTER®, LX IRON

Manual de Instrucciones
PLANCHA STEAM MASTER® LX

IMPORTANT SAFEGUARDS

When using your flatiron, basic safety precautions should always be followed, including the following:

READ ALL INSTRUCTIONS BEFORE USING

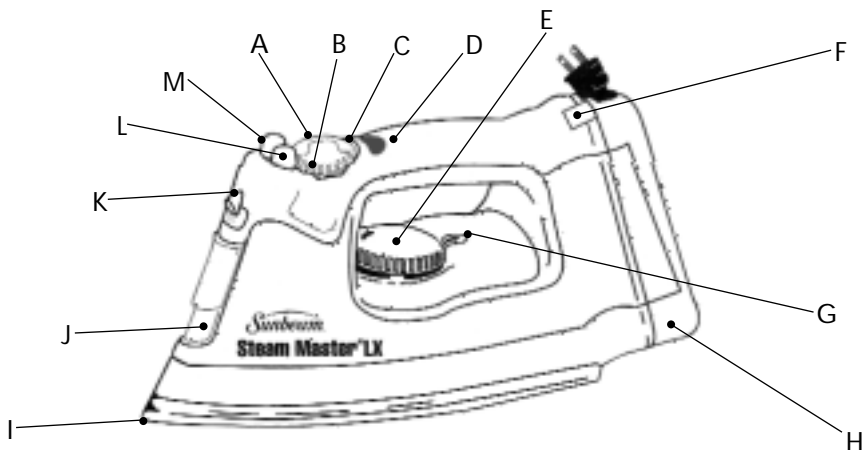
1. Use iron only for its intended use.
2. To protect against risk of electric shock, do not immerse the iron in water or other liquids.
3. The iron should always be turned to "OFF" before plugging or unplugging from outlet. Never yank cord to disconnect from outlet; instead, grasp plug and pull to disconnect.
4. Do not allow cord to touch hot surfaces. Let iron cool completely before putting away. Retract cord into cord reel when storing.
5. Always disconnect iron from electrical outlet when filling with water or emptying and when not in use.
6. Do not operate iron with a damaged cord or if the iron has been dropped or damaged. To avoid the risk of electric shock, do not disassemble the iron. Take it to a qualified serviceman for examination and repair. Incorrect reassembly can cause a risk of electric shock when the iron is used.
7. Close supervision is necessary for any appliance being used by or near children. Do not leave iron unattended while connected or on an ironing board.
8. Burns can occur from touching hot metal parts, hot water or steam. Use caution when you turn a steam iron upside down — there may be hot water in the reservoir.
9. If the flatiron is not operating normally, disconnect from the power supply and have the flatiron serviced by qualified service personnel.
10. Your Sunbeam® Iron is designed to rest on the heel rest. Do not leave the iron unattended. Do not set the iron on an unprotected surface, even if it is on its heel rest.
11. This is a 1200 Watt appliance* To avoid a circuit overload, do not operate another high wattage appliance on the same circuit.
12. If an extension cord is absolutely necessary, a 10-ampere cord should be used. Cords rated for less amperage may overheat. Care should be taken to arrange the cord so that it cannot be pulled or tripped over.

*In Mexico, the iron runs at 127 Volts, 1350 Watts. If an extension cord is necessary, a 13 ampere cord should be used.

SAVE THESE INSTRUCTIONS

FOR PRODUCTS PURCHASED IN THE U.S. AND CANADA ONLY

To reduce the risk of electrical shock, this appliance has a polarized plug (one blade is wider than the other). This plug fits a polarized outlet only one way; if the plug does not fit fully into the outlet, reverse the plug. If it still does not fit, contact a qualified electrician. Do not attempt to defeat this safety feature.



FEATURES

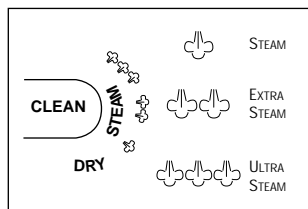
- A. Variable Steam Dial** — Adjusts steam level for different ironing needs. For dry ironing, turn dial to DRY. For steam ironing, turn dial to the ☁️. For additional steam, turn dial to the ☁️☁️ or ☁️☁️☁️. (Refer to Ironing Guide for recommended settings).
- B. Steam Valve** (connected to the variable steam dial) — Removable to prevent scale build up.
- C. Steam Indicator Mark**
- D. Auto-Off Indicator** (Some Models Only)
- E. Temperature Dial** — Controls heat output of iron. Adjust dial according to ironing needs. For low temperatures, turn dial to first dot. For medium temperatures, turn dial to second set of dots. For high temperatures, turn dial to third set of dots. (Refer to Ironing Guide for recommended settings).
- F. Winding Button** — Retracts cord with a push of the button. (Refer to Using the Retractable Cord)
- G. Temperature Indicator Mark**
- H. Cord Reel** — Provides convenient cord storage. Allows for use of only the amount of cord needed, eliminating extra cord that gets in the way. Push button to automatically retract cord.
- I. Soleplate** — Has full length button grooves for added convenience when ironing shirts and blouses; some models have non-stick coating.
- J. Sliding Water Reservoir Cover** — Prevents dust and foreign matter from entering the water tank; resists water splashing during ironing.
- K. SPRAY MIST® Feature** (Some Models Only)
- L. SPRAY MIST® Button** — Provides a fine spray mist for spot dampening. (Some Models Only)
- M. SHOT OF STEAM® Button** — Provides a powerful burst of steam for maximum steam power. On select models, can also be used while holding the iron vertically to remove wrinkles from hung garments or drapes.
- **MOTION SMART® Auto off** (Some Models Only) — Shuts off if iron is unmoved for 15 minutes in the upright position, or 30 seconds in the ironing position.

USING THE RETRACTABLE CORD

1. **When winding the cord, hold the plug with one hand, and press the winding button with the other hand.** (Failure to hold plug may cause plug to fly).
2. The cord reel is compact for multi-layer winding of the cord. In case cord is not fully rewound, pull out the cord and steer cord evenly on the reel.
3. In case the cord is not pulled out easily, pull cord firmly.
4. Select the amount of cord desired before plugging into an electrical outlet.
5. Do not allow children to use retractable cord feature as the cord may cause injury.

BEFORE THE FIRST USE

- When turned on for the first time, your new iron may give off a slight odor for up to ten



SHOT OF STEAM® Feature



- The SHOT OF STEAM® feature provides an extra burst of steam for deep penetration of stubborn wrinkles. The SHOT OF STEAM® feature can be used with dry or steam ironing provided the tank is at least 1/4 full of water and the temperature dial is set within the steam band.
- Place the iron on top of the wrinkle and press the SHOT OF STEAM® button each time you would like an extra burst of steam. THE SHOT OF STEAM® feature can be used continuously with just a short pause between shots.

VERTICAL STEAM *(Select models only)*

- The vertical steam feature allows your iron to function as a garment steamer.

TIP: When using the vertical steam on clothing, hang the clothing on a clothes hanger for best results. Hanging curtains and drapes may also be steamed.

To Use VERTICAL STEAM:

1. Make sure that the iron has heated up (2 minutes).
2. Hold the iron in a vertical position, with the iron close to but not touching the fabric you want to steam.
3. With your other hand, pull the fabric tight.
4. Press the SHOT OF STEAM® button in approximately 3-second intervals as you move the iron across the wrinkled area.

WARNING: To prevent the risk of burns, keep your hand away from the area being steamed.

DO NOT steam garments while wearing them; this may result in injuries.

SPRAY MIST® Feature

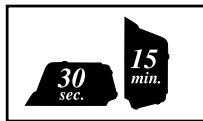


(Some Models Only)

- Use the SPRAY MIST® feature to dampen fabrics with stubborn wrinkles.
- Press the gray SPRAY MIST® button firmly to produce spray.

MOTION SMART® Auto Off Feature *(Some Models Only)*

- When the iron is plugged into 120 volt AC electrical outlet, the steady red light signals that the iron is plugged in and is ready to be turned on.
- If the iron is left on the heel rest unmoved the iron will stop heating in 15 minutes. The light on the handle will blink to indicate the iron has automatically shut off and will continue blinking until the iron is restarted or unplugged.
- If the iron is left unmoved in the ironing position or accidentally tipped over, the iron will stop heating in 30 seconds. Again, the light on the handle will blink to indicate the iron has automatically shut off and will continue blinking until the iron is restarted or unplugged.



NOTE: If the temperature dial is turned to the OFF position, the light will continue blinking and then go off.

- To restart the iron, move the iron back and forth. Allow the iron to heat and continue ironing as normal.

Non-Stick Finish

(Some Models Only)



- The non-stick coating prevents sticking of fabrics and starch residue to the soleplate.
- To clean the soleplate, allow iron to cool and wipe with a soft cloth using a mild vinegar solution.
- Do not use scouring pads, abrasives or chemical cleaning solvents as they may damage the finish.

NOTE: Scratches in the non-stick soleplate do not affect the performance of the iron.

CARE AFTER EACH USE

- Turn the steam dial to DRY.
- Unplug the iron from the power outlet.
- Empty the water tank by opening the water reservoir cover and turn the iron upside down to allow water to flow from the opening. Shake the iron gently to remove trapped water drops.
- Use cover and allow the iron to cool.
- Retract cord into cord reel. Always store iron on its heel rest.
- When not ironing, always set steam dial to DRY.

CARE AND MAINTENANCE

Steam Valve

The steam valve (attached to the variable steam dial) is removable for easy cleaning of lint and scale build up. Cleaning the steam valve is only necessary if you notice a reduction in steam performance. To remove the steam valve, empty the water tank and place iron on the soleplate. Turn the variable steam dial to CLEAN. The valve will “pop-up”. Pull up to remove the steam valve fully. Wipe the tip gently with a damp cloth to clean. To replace, align CLEAN with the indicator mark. Push down and rotate clockwise to DRY.

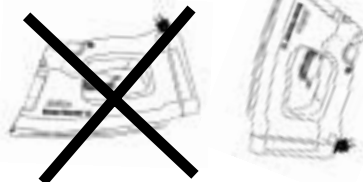
NOTE: Do not pour water into the steam valve hole.

Soleplate

If starch or other material clings to the irons soleplate, allow the iron to cool and wipe with a soft, damp cloth. Avoid ironing over snaps, zippers, rivets, etc., as they may scratch the soleplate.

Storage

Always store your iron on the heel rest. Never store with the soleplate facing down or in the carton. Always store your iron with the steam dial turned to DRY. Retract cord into cord reel.



Maintenance

Other than the recommended instructions in this pamphlet, no further maintenance is necessary. However, following is a list of frequently asked questions and their resolutions. If for any reason your iron continues to exhibit one of these symptoms, or requires repair for another reason, send it to the Sunbeam Appliance Service Center or call our Consumer Hot Line 1-800-597-5978.

SYMPTOM	RESOLUTION
Iron emits an odor	<ul style="list-style-type: none">• Iron gives off an odor when turned on for the first time. Allow ten minutes for odor to disappear.
Iron does not heat	<ul style="list-style-type: none">• Iron should be plugged into a 120 volt, AC electrical outlet only.• The temperature dial must be set at the desired temperature.• The auto shut-off feature may have been activated (<i>Some Models Only</i>). Move the iron back and forth to restart.
Iron does not steam	<ul style="list-style-type: none">• The water tank may be empty. Turn steam valve to DRY and add water.• Allow iron to heat, then set the steam dial to one of the steam settings. Use temperature settings within the steam band.• There may be an obstruction. Remove steam valve by turning it to CLEAN. Replace and set the steam dial to one of the steam settings.
SHOT OF STEAM® feature does not work	<ul style="list-style-type: none">• The water tank must be at least 1/4 full.• Temperature must be set to steam position.• Iron should be in the horizontal position.• Prime pump briefly.• Allow a short pause between shots.• Be sure to fully depress the SHOT OF STEAM® button.
SPRAY MIST® feature does not work	<ul style="list-style-type: none">• The water tank must be at least 1/4 full.
Iron is leaking	<ul style="list-style-type: none">• The variable steam dial must be set on DRY until the iron is hot• The temperature setting is too low to produce steam (<i>See Ironing Guide</i>)
Cord will not pull out	<ul style="list-style-type: none">• Pull cord firmly to unwind.• Press winding button to reset device, then pull cord.
Cord does not retract	<ul style="list-style-type: none">• Pull out the cord once and wind cord evenly on the reel.

IRONING TIPS

- Always read garment labels and follow the manufacturer's ironing instructions.
- Sort the articles to be ironed according to the type of fabric.
- Garments requiring low temperature and steam should be ironed first to avoid damaging garments with a too-hot iron.
- If you are unsure of the fabric content of the garment, test a small area such as a seam or facing before ironing a visible area. Start with a low temperature and gradually increase the heat to find the best setting.
- When changing the temperature from a high setting to a low setting, allow approximately 5 minutes for the lower temperature to be reached.
- When steam ironing, use long slow glides. This will allow the steam to penetrate the fabric while it allows the heat of the soleplate to dry out the moisture.
- To iron linens, turn garment inside out. Be careful not to use a too-hot iron as lining may melt or stick to soleplate.
- To iron zippers, use an ironing cloth or make sure the zipper is closed and iron over the flap. Never iron directly over an unprotected zipper.
- Use the following chart to select the best setting and method for the fabric you plan to iron.

1-YEAR LIMITED WARRANTY

Sunbeam Products, Inc. ("Sunbeam") warrants that for a period of ONE year from the date of purchase, this product will be free from defects in material and workmanship. Sunbeam, at its option, will repair or replace this product or any component of the product found to be defective during this warranty period. Replacement will be made with a new or remanufactured product or component. If the product is no longer available, replacement may be made with a similar product of equal or greater value. This is your exclusive warranty.

This warranty is valid for the original retail purchaser from the date of initial retail purchase and is not transferable. Keep the original sales receipt. Proof of purchase is required to obtain warranty performance. Sunbeam dealers, service centers or retail stores selling Sunbeam products do not have the right to alter, modify or in any way change the terms and conditions of this warranty.

This warranty does not cover normal wear of parts or damage resulting from any of the following: negligent use or misuse of the product, use on improper voltage or current, use contrary to the operating instructions, disassembly, repair or alteration by anyone other than Sunbeam or an Authorized Service Center. Further, the warranty does not cover Acts of God, such as fire, flood, hurricanes and tornadoes.

Sunbeam shall not be liable for any incidental or consequential damages caused by the breach of any express or implied warranty. Except to the extent prohibited by applicable law, any implied warranty of merchantability or fitness for a particular purpose is limited in duration to the duration of the above warranty. Some states, provinces or jurisdictions do not allow the exclusion or limitation of incidental or consequential damages or imitations on how long an implied warranty lasts, so the above limitations of exclusion may not apply to you. This warranty gives you specific legal rights, and you may also have other rights that vary from state to state or province to province.

How To Obtain Warranty Service

Take the product to an Authorized Sunbeam Service Center. You can find the nearest Authorized Sunbeam Service Center by Calling **1 800 458-8407**. or visit our web site at www.sunbeam.com

DO NOT RETURN THIS PRODUCT TO THE PLACE OF PURCHASE.

For product question:
Sunbeam Consumer Service
P.O. Box 948389
Maitland, FL 32794-8389
1 800 458-8407
www.sunbeam.com

PARA MÉXICO SOLAMENTE

UN AÑO DE GARANTÍA

UN AÑO DE GARANTIA

PÓLIZA DE GARANTÍA,

Sunbeam Mexicana S.A. de C.V.

Sunbeam Mexicana S.A. de C.V. garantiza este aparato por el término de un año en todas sus partes y mano de obra contra cualquier defecto de fabricación y funcionamiento, en uso doméstico normal a partir de la fecha de entrega.

Incluye la reparación o reposición gratuita de cualquier parte o componente que eventualmente fallara y la mano de obra necesaria para su diagnóstico y reparación, así como los gastos de transportación del producto a partir de la recepción en los Talleres de Servicio Autorizados derivados del cumplimiento de este certificado.

Condiciones

1. Para hacer efectiva esta garantía no podrán exigirse mayores requisitos que la presentación de esta póliza debidamente llenada, sellada y fechada por la casa vendedora junto con el aparato en el lugar donde fue adquirido o en cualquiera de los Centros de Servicio Autorizados que se indican en el reverso.
2. Esta póliza quedará sin efecto en los siguientes casos:
 - a. Cuando el aparato haya sido utilizado en condiciones anormales y los daños que presentara manifestaran un maltrato, descuido o mal uso.
 - b. Cuando el aparato haya sido operado en forma diferente a las condiciones normales que marca el instructivo, el cual señala los valores nominales y tolerancias de tensiones (voltajes) y frecuencias (ciclajes de la alimentación eléctrica).
 - c. Cuando el aparato haya sido intervenido por personal no autorizado provocando alteraciones inadecuadas.
3. Los Talleres de Servicio Autorizados por Sunbeam Mexicana. S.A. de C.V, repararán y devolverán el aparato en un plazo no mayor a 30 días contados a partir de la fecha de haber ingresado éste a uno de los talleres. Excepto en caso de demoras en el servicio originado por causas de fuerza mayor o cualquier otro motivo fuera del control de los Talleres de Servicio Autorizados tales como huelgas en las fábricas proveedoras, etc., situación que será comunicada a usted a través de los Talleres respectivos.
4. La garantía de esta Póliza cubre cualquier daño o desperfecto que llegara a ocurrir en el interior de los Talleres de Servicio Autorizados o en el transporte de sus vehículos, pero sin asumir la responsabilidad por daños, robos, extravíos o destrucción del aparato durante los almacenamientos o transportes efectuados por terceros no autorizados.
5. En caso de extravío de la Póliza de Garantía, usted podrá recurrir al lugar donde adquirió su aparato, donde le expedirán otra Póliza de Garantía previa presentación de la Nota de Compra, Remisión o Factura respectiva.

Al término de su Póliza de Garantía, los Talleres de Servicio Autorizados, seguirán a sus órdenes para brindarle el servicio que usted se merece, siempre con la confianza Sunbeam®, Oster® y Osterizer®

Sello de la Casa Vendedora

Aparato _____

Marca _____

Modelo _____

La presente garantía contará a partir de la fecha de entrega.

Año

Mes

Día

PARA USO DEL PROPIETARIO DEL APARATO

Sello de la Casa Vendedora

SUNBEAM MEXICANA, S.A. de C.V.,
Avenida Juárez 40-201,
Ex. Hacienda de Santa Mónica,
Tlalnepantla. Estado de México. C.P 54050
TELÉFONO: 5366-0800

TIMBRE

**"UNA RESPUESTA PARA
CADA PREGUNTA"**

¿Tiene Ud. alguna pregunta o comentario?

**Llámenos sin costo al: 91-800-506-17
del D.F. al: 729-21-00**

De lunes a viernes de las 8:30hrs. a las 17:00 hrs.

SUNBEAM MEXICANA S.A. DE C.V.

Avenida Juárez 40-201, Ex. Hacienda de Santa Mónica,
Tlalnepantla, Estado de México, C P. 54050
TELÉFONO: 5366-0800

OFICINAS DE VENTA EN LA REPÚBLICA MEXICANA:

Sucursal Tlalnepantla Edo, De México

Vía Dr. Gustavo Baz No 180. _____ Tel: 729-21-00

Sucursal GUADALAJARA, JALISCO

Juan Kepler # 4536-4, Col. Residencial Arboledas, Zapopan,

C P. 45070 _____ Tels: 19-64-05, 19-65-08 Fax: 19-15-46

Sucursal Monterrey, Nuevo León

Plaza Puerta del Sol Local 19, Blvd. Puerta del Sol 350 Colinas de

San Jerónimo, C P. 064640 _____ Tel: 46-94-70, 46-94-78, 46-94-79 Fax: 46-94-70

CARACTERÍSTICAS ELÉCTRICAS:

60Hz 127 ~ +/-10% V 1350W

© Osterizer, Sunbeam y Oster son Marcas Registradas de Sunbeam Corporation

© Sunbeam Products, Inc. o sus compañías afiliadas, todos los derechos reservados.

Sunbeam, es una marca registrada de Sunbeam Products, Inc. o de sus compañías afiliadas.

Distribuido por: Sunbeam Products, Delray Beach, FL 33445.

Use sólo refacciones originales

PARA SERVICIO DE GARANTÍA Y VENTA DE PARTES Y REFACCIONES SUNBEAM MEXICANA, S.A. DE C.V.

Avenida Juárez 40-201, Ex Hacienda de Santa Mónica, Tlalnepantla, Estado de México, C. P. 54050

TALLERES DE SERVICIO AUTORIZADOS

Estado y Ciudad	Nombre y Dirección	Teléfono	
AGUASCALIENTES	AGUASCALIENTES – DISTRIB. AGUASCALIENTES – Madero No. 203	15-1346	
	AGUASCALIENTES – RYSE DE AGUASCALIENTES, SA Atiende Poniente Victoria No. 118	15-5782	
	AGUASCALIENTES – SAMUEL RODRIGUEZ D., – Abedul No. 1006	14-8222	
BAJA CALIFORNIA NORTE	TIJUANA – CASA ELECTRICA ROTHENHAUSLER – 5A. E. Zapala No. 1637	85-F 149 y 85-3025	
	TIJUANA – PLOMERIA LAS DOS EMES – Defensores de Baja California No. 200 Col. Ruiz Cortines	82- 3189	
CAMPECHE	CAMPECHE – REFA HOGAR DE CAMPECHE – Av Fco. I. Medero C. Com. Villa del Rio. Depto 1	1-4206	
	CIUDAD DELCARMEN – REFA HOGAR DEL CARMEN Calle No. 24 No. 73-C	2-3619	
CHIAPAS	COMITAN – CENTRO SINGER DE COMITAN – 3A Calle Norte Poniente No. 59 Col. Centro	2-0290	
	OCOSINGO – ELECTRONICA DEL ISTMO – 2A Av. Sur Oriente No. 14 Col. Centro		
CHIHUAHUA	SAN CRISTOBAL DE LAS CASAS – REFA. ELECTRI HOGAR – 20 de Noviembre No. 17-B Col. Centro	8-1137	
	TAPACHULA – REFRIGERACION Y SISTEMAS – 5A Calle Poniente No. 16-8 Col. Centro	8-7070	
	TUXTLA GUTIERREZ – COMPRESORES Y PARTES DE REFRIGERACION – 2A Poniente Sur No. 500 Col. Centro	3-7325	
	TUXTLA GUTIERREZ – SERVICIO Y REFA. DE TUXTLA – 2A Oriente Norte No. 354 Int.	2- 2737	
	CHIHUAHUA – REFA. Y SERVICIOS DE CHIHUAHUA – Av Juárez No. 514	10-5540	
	CHIHUAHUA – TALLER DE REFRIG. Y SERVICIOS ELECTRICOS – Ojinaga No. 507	10- 5963	
	CIUDAD DELICIAS – MUEBLERIA PORTILLO – Calle 1A. Norte No. 104, Col. Centro	2-1457 y 2-8333	
	CIUDAD JUAREZ – DIST TURMIX Paseo Triunfo de la Republica No. 5298 Local 2 A Col. San Lorenzo	17 8030	
	CIUDAD JUAREZ – REFA. DEL HOGAR DE CHIHUAHUA, S. A. DE C. V. Av. Insurgentes No. 16659	2- 2321 y 2-2570	
	HIDALGO DEL PARRAL – CASA ELECTRICA DEL PARRAL – Calle Colegio No. 35	2-0325	
COAHUILA	HIDALGO DEL PARRAL – CASA MAYKA – Madrovi Herrera No. 67 Local 12	2-7845 y 2-4140	
	SALTILLO – ELECTRICIDAD Y NOVEDADES DE SALTILLO – Calle Morelos No. 211 A-Sur Centro	12-5525	
TORREON	TORREON – COMERCIAL GARCIA DE TORREON. S. A. – Av Juárez No. 99 Poniente	6 3010	
	TORREON – JOSÉ C. DE JESUS LOPEZ S. A. – Calle Acuna No. 259 Sur	12-9822	
	TORREON – REFA. Y SERV. P/APARATOS DOMESTICOS – Presidente Carranza No.655	19-5189 y 16-3165	
COLIMA	COLIMA – JABA HERMANOS – Av. Pino Suárez No. 230	3-0930	
	COLIMA – TODO PARA GAS – Ignacio Sandoval No. 15	2- 7776	
DISTRITO FEDERAL	MEXICO – ART. ELECTRICOS PARA EL HOGAR S.A. De C.V. – Av. Revolución 154 C Col. Tacubaya	516- 0292	
	MEXICO – BULBOS Y REFA. ELECTRONICAS – Plutarco Elias No.1494-A Col Zacahulizco	672-0808	
	MEXICO – CASA HUERTA – Calzada I. Zaragoza No. 3254 L. 13-8 Col. Sta Martha	738 1972	
	MEXICO – CORPORACION ELECTRODOMESTICA CASA GARCIA- S.A. DE C.V. – Av. Patriotismo No. 875-B Col. Mixcoac	563-8723	
	MEXICO – DOMESTICA NORTE – Camino a Santiago No. 131-C Deleg. Gustavo A. Madero		
	MEXICO – DOMESTICA ORIENTE – Calle 7 Mz 6 Lote 16	845 3328	
	MEXICO – DOMESTICOS ELECTRICOS S.A DE C.V. – Tonaia No. 124 Col. Rome	584-0939 y 584-0950	
	MEXICO – ECONOHOGAR – Lopez No. 31-A Col. Centro	512-8006	
	MEXICO – REPARADORA DEL HOGAR TLAHUAC – FF.CC. Rafael Atlitico No. 1 Tlahuac	842-4489	
	MEXICO – SERVICIO DOMESTICO DEL SUR-BIVD. La Virgen Blvd. La Virgen Manz. 1 Lote 6 Col. Carmen Sentan	608-2313	
	DURANGO	DURANGO – REFACCIONARIA EASY – Pino Suárez No. 423 Poniente DURANGO	11-0251
	DURANGO	DURANGO – REFACCIONARIA EASY – Patoni No. 506 Sur	11-0251
DURANGO	DURANGO – SERVICIO ESPARZA – 20 de Noviembre No. 507 con Porras	17-4736	
EDO. DE MÉXICO	GOMEZ PALACIOS – REFA. Y SERVICIOS P/APAR. DOMESTICOS STA. LUCIA – Hidalgo y Escobedo	14-0225	
	GOMEZ PALACIOS – REFA. Y SERVICIOS P/APAR. DOMESTICOS STA. LUCIA – Victoria No. 326-A Norte	14- 6031	
	COACALCO – ELECTRODOMESTICOS MARSOL – C. Comercial Coacalco, Local 33	875-7030	
	ECATEPEC – SERVICIO DOMESTICO HEGAR – Via Morelos No. 103 (antes 30), Col. Jajalpa	787-2622	
	ECATEPEC SERVICIO HEGAR – Via Morelos No. 26 Manz. 1 Col. Nuevo Laredo	787-7536	
	IXTLAHUACA – POUREPUESTOS ORIGINALS – Plaza Suárez No. 1-J		
	NETZAHUALCOYOTL – CASA HUERTA – Av. Alfonso Lopez Matleos No. 150	797 8131	
	NETZAHUALCOYOTL – CASA HUERTA – Av Panitlan No. 407 Col. Vicente Villada	765-3371	
	NETZAHUALCOYOTL – CASA HUERTA – Plaza Neza, Local E-27, Col. Benito Juárez	731-9345	
	TLALNEPANTLA – CASA MONTOYA – Av. Rio Lerma No. 111	565-8942	
GUAMAJUATO	TOLUCA – SERVICIO Y REFA. TAUN – Ignacio López Bayón Norte No. 211-A. Col. Centro		
	ACAMBARO – PREGLAGAS DE ACAMBARO – Vicente Guerrero No. 23-C	2-1445	
	CELAYA – ELECTRODOMESTICOS DEL BAJIO – Bejuca No. 103 Col. Los Pinos	5-5157	
	IRAPUATO – MECAN HOGAR Y/O RYSE DE IRAPUATO – Av. 5 de Mayo No. 518, Col. Independencia	6-4446 y 7-6767	
	LEON – ELECTRONICA DIGITAL – Rio Lerma No 1124 Col. Prados Verdes	11-7381	
	LEON – SERVI HOGAR – Pino Suarez No. 314 Col. Centro	16-8006	
	MOROLEON – REFACCIONARIA DEL HOGAR – Guadalupe Victoria No. 25 Col. Centro		
	PENJAMO – ELECTRONICA DEL CENTRO – Hidalgo No. 44-B. Zone Centro	2-0774	
	SALAMANCA – REFRIGERACION FONSECA – Celaya No. 107. Col. Guanajuato	7-3475	
	ACAPULCO – TELEVICENTRO – Av. Cuauhtámoc No. 135. Col. Centro		
ACAPULCO – TELEVICENTRO – Velázquez de León No. 52. Col. Centro	82-0349		
HIDALGO	IGUALA – ELECTRO SURIANA – Av. Bandera Nacional No. 1-A	2-1099	
	CIUDAD SAHAGUN – SERVICIO ELIZALDE – Av. Huichapan No. 17. Col. Rojo Gómez	3-3930	
JALISCO	PACHUCA – REFA. Y SERVICIO DE HIDALGO – Fernando Soto No. 102-B	5-1837	
	CIUDAD GUZMAN – NUEVO RADIO SERVICIO – S.A. DE C.V. – 5 Mayo No. 26	2-3374 y 2-0484	
	CIUDAD TUXPAN – SERVO ELECTRICA – Foa. I. Madero No. 27 A	7-2914	
	GUADALAJARA – IMPLEMENTOS Y REFA. DOMESTICAS S.A. DE C.V. – Manuel Avila Camacho No. 1280	23-1927	
	GUADALAJARA – PROESA TECNOGAS S.A. DE C.V. – Independencia No.11	14 6825	
	GUADALAJARA – REFA. ECONOMICAS DE OCCIDENTE S.A. DE C.V. – Garibaldi No. 1450	25-5819 y 25-3460	
	GUADALAJARA – SERVICIO MAYO – Av. Colón No. 783, Sector Juárez	13-0329 y 14-9088	
	LAGOS DE MORENO – TECNO-HOGAR – Hidalgo No. 614-A	2-0664	
	PUERTO VALLARTA – PROESA TECOGAS DE OCCIDENTE – Perú No. 1279 Esq. Nicaragua	2- 5455 y 2- 4989	
	TEPATITLAN – TECNO GAS DE LOS ALTOS – Colón No. 151	1-0558	

Estado y Ciudad	Nombre y Dirección	Teléfono
MICHOACAN	APATZINGAN – REFRIG. Y CLIMAS ARTIF. DE MEXICO – Carl. Apatzingán Cuatro Caminos No.202 Col. La Nueva	4-5030 y 4-5082
	LA PIEDAD – REFRIGERACION CALDERON – Vicente Guerrero No. 109. Zona centro	2-1504
	MORELIA – CASA MARY – Alvaro Obregón No. 22 Zona Centro	2-5415
	MORELIA – CENTRAL DOMESTICA MORELIA – Av. Morelia Sur No. 618	2-1796
	PURUANIANDIRO – REFACCIONARIA SAN FRANCISCO – Fagoaga No. 72-A Centro	83-1405
	SAHUAYO – REFRIG. LAV. – Matamoros No. 4 Esg. Morelos	2-3873 y 2-3895
	URUAPAN – EL SURTIDOR DEL HOGAR – Madero No. 12-A	4-2926
	ZAMORA – MULT. SERV. PROF. DE ZAMORA – Virrey de Mendoza No. 283-C	5-1108
	ZAMORA – RYSE DE IRAPUATO S.A. DE C.V. – Av. 5 de Mayo Esg. Colon	2-3304 y 2-5368
	ZITACUARO – DEL CENTRO – Av. Hidalgo Poniente No. 2	3-2191
MORELOS	CUAUTLA – SERVICIO DEL HOGAR – 2 de Mayo No. 104-A	2-2856
	CUERNAVACA – MECÁNICA DOMESTICA INDUSTRIAL – Matamoros No. 410-A Zona Centro	12-4512
MAYARIC	CUERNAVACA – SERVICIO Y REFAC. S.A. – Plan de Ayala y Av. Central, Local 6	15-7041
	TEPIC – TECNO HOGAR – Av. México No. 37 Sur	2-1936
NUEVO LEÓN	CERDADO – CERRAJERIAS REGIA – Carretera Nacional No. 211 Fracc. Las hadas	5-0383
	GUADALUPE – CERRAJERIAS REGIA – Av. Miguel Aleman No. 243 Oriente, Col. Lindavista	79-0794
	GUADALUPE – CERRAJERIAS REGIA – Hacienda No. 1234-A Oriente, Fracc. Had. de Guadalupe	37-3494 y 37-8510
	MONTERREY – CERRAJERIA DEL VALLE – Orinoco No. 207 Norte	78-3655
	MONTERREY – ELECTRODOMESTICA DE REFACCIONES – Fidel Velázquez No. 1513 Poniente L-4F Col. La Central	
	MONTERREY – JOSÉ F SEPULVEDA S.A. DE C.V. – Ruperto Martínez No. 238 Oriente Col. Centro	43-6700 y 43-1815
	MONTERREY – REFAC. DOMESTICAS MONTERREY – Av. Gonzalitos No. 3501 Loc. 44 Col. Miltras Norte	73-1621
	MONTERREY – SERVICIO Y REFAC. HECTOR SEPULVEDA S.A. DE C.V. – Zaragoza No. 203 SUR	43-8909 y 42-3970
	SAN NICOLAS DE LAS GARZAS – CERRAJERIAS REGIA – Av. Parque Anahuac No. 105 Oriente Col. Anahuac	76-9024
	OAXACA	OAXACA – SERVICIO ELECTRODOM. APARICIO – Av. Pariferico No. 111, Col. Postal
	TUXTEPEC – SERVICIO ESPECIALIZADO WHIRPOOL – Jose Maria Morelos No. 1234	5-4616
	PUEBLA ATLIXCO – REFAC. DEL HOGAR – Calle Sur No. 503-B	5-2465
	PUEBLA – MATERIAL ELECTRICO LA CASA – 10 Oriente No.15-B	46-5504
	PUEBLA – REPRESENTACION DE PUEBLA – 3 Poniente No.523-B	42-4955
	TEHUACAN – C. DE SERVICIO ALM. PAJIANE – Av. Independencia Poniente No. 407 Col. Centro	2-3835
	TEZIUTLAN – ALMACENES 5-10-15 – ProL. Av. Juárez No. 2	2-0720
QUERÉTARO	QUERÉTARO – ELECTRONICA “J.M.V.” – Calle Peña de Bernal No. 7-B Col. Las Americas	17-1592
	QUERÉTARO – ELECTRODOM. ANTONIO – 16 de Septiembre No. 6-C Poniente	12-2149
QUINTANA ROO	CANCÚN – AGUILAR REFACCIONES – Av. Leche Portillo SM 70 Manz. 1 Local 2 Col. Centro	84-0727
	COZUMEL – REFACCIONARIA DEL HOGAR – Adolfo Rosado Salas No. 33 Depto. 1 Col. Centro	2-1690
	CHETUMAL – TALLER DE REP. DE APARATOS ELECTRICOS ALVARADO – Hidalgo No. 89	2-3841
SAN LUIS POTOSI	CIUDAD VALLES – REFACCIONARIA DEL HOGAR DE VALLES S.A. – Calle Aguilas No. 500	2-1148
	S.L.P. – Electro Hogar – Julián de los Reyes No. 328	12-2116
	S.L.P. – PROV. TECNO HOGAR GIVI – Himo Nacional No. 1410, Col. Las Aguilas	12-5800
	S.L.P. – SERVICIO ELECTRODOM. ITURBIDE – Damián Carmona – No. 685	2-0487
SIMALOA	CULIACAN – SERVICIO DEL HOGAR GOMEZ – Av. Morelos No. 183 Norte	3-6995
	GUAMUCHIL – ELEC. DOMESTICA E INDUSTRIAL –Zaragoza No. 157 Norte, Col. Juárez	2-1088
	LOS MOCHIS – NUEVO JAPON DE LOS MOCHIS – Benito Juárez No. 430 Poniente	2-5850
	LOS MOCHIS – TECOGAS DE OCCIDENTE, S.A. DE C.V. – Av. Hidalgo No. 545	5-5860 y 5-5247
	MAZATLAN – CAMACHO DE MAZATLAN S.A. DE C.V. – Zaragoza No. 121	1-6110 y 2-8420
	MAZATLAN – REFAC. DEL HOGAR S.A. DE C.V. – German Evers No. 1708 Norte	85-1325 y 85-0794
SONORA	CIUDAD OBREGON – TECNI-SERVICIOS GALICIA S.A. DE C.V. – Veracruz No. 435 Sur	3-8033 y 3-3315
	GUAYMAS – CENTRAL DE REFACCIONES SERVICIOS – Av. Miguel Aleman No. 75 Sur	2-3244
	HERMOSILLO – SERVICIO ELECTRO HOGAR – Guerrero No. 80 Esg. Dr. Noriega	2-1244
TABASCO	COMALCALCO – ELECTROHOGAR 2 HERMANOS – Juárez No. 1102 Esg. Rayón	4-2073
	H CARDEMAS – COMERCIAL LA ESTRELLA – Mader No. 805 Col. Centro	2-0548
	VILLAHERMOSA – SERVICIO Y REFAC. FRIAS – Sánchez Megallanes No. 918	2-7002
TAMAULIPAS	CIUDAD VICTORIA – CARLOS A. CARRIZALEZ PAZ – Adolfo López Mateos No. Local 6	6-1335
	MATAMOROS – MUEBLERIA REAL DEL NORTE S.A. DE C.V. – Juárez y Panamá No. 3-B	13-2122
	TAMPICO – COM. ELECTRICA BRICEÑO – H. del Canonero No. 206 Oriente.	12-3175 y 12-1775
	TAMPICO – HOSPITAL DE ELECTRODOM – Diaz Mirón No. 909 Oriente	12-6940
	TAMPICO – SERVICIO ALLENDE – Olmos No. 602 Norte	12-1999
	REYNOSA – PROV. DE RESTAURANTES DE REYNOSA – Calle Bravo No. 500, Centro	22-5697
VERACRUZ	COATZACOALCOS – ACC. Y REFRIG. DEL SURESTE, S.A. DE C.V. – Malpica No. 312	2-1976
	CORDOBA – VICMAR – Av. 2 No. 921	2-8393
	MINATITLAN – ELECTROREFRIG. CUPIL S.A. DE C.V. – Calle Amelia Riverol No. 10 Col. Playón Sur	3-5714
	ORIZABA – SIST. Y EQUIPOS COMPUTACIONALES S.A. DE C.V. – Poniente 2 No. 38	5-0311
	POZA RICA – REFAC. INTERNACIONAL DEL HOGAR – Mariano Artista Esg. 16 de Septiembre Col. Tajín	3-5119
	SAN ANDRÉS TUXLA – TELE SERVICIO – Dr. Argudin No. 2	2-0570
	TUXPAN – REFAC. INTERNACIONAL DEL HOGAR – Garzurizlet No. 52	4-2016
	TUXPAN – REFAC. LINEA BLANCA DE TUXPAN S.A. DE C.V. –Arteaga No. 1	4-5953
	VERACRUZ – ELECTRODOMESTICA DEL PUERTO – Zamora No. 1479	38-2154
	VERACRUZ – SERVIREFAC. RODRIGUEZ – Carlos Cruz No. 55 Local 4	3-25351
	XALAPA – DOMESTICA TAPIA – Av. Rafael Murillo Vidal No. 3-F Fraco. Enseño	18-8759
YUCATAN	MÉRIDA – ELECTRODOMESTICOS REFORMA – Calle 72 No. 433-C	28-2137
	MÉRIDA – REFACCIONARIA DEL HOGAR – Calle 67 No. 511	23-5652
ZACATECAS	FRESNILLO – DOMESTICA MUÑOZ – Calle 1858 No. 4 Fracc. González Ortega	2-5727
	JUCHIPILA – TELE SERVICIO LUNA – Nicolás Bravo No. 3 Col. Centro	2-0599
	ZACATECAS – REFAC. DOMESTICAS ROMO – Rayón No. 220	2-3664

COMPRADOR:

Nombre _____
Dirección _____
Ciudad _____
Estado _____
Aparato _____ Marca _____ Modelo _____
La presente garantía contará a partir de la fecha de entrega Año _____ Mes _____ Dia _____

CASA VENDEDORA:

Nombre _____
Dirección _____
Ciudad _____
Estado _____

PRECAUCIONES IMPORTANTES

Cuando utilice su plancha, siempre debe de seguir algunas medidas básicas de seguridad, incluyendo las siguientes:

LEA TODAS LAS INSTRUCCIONES ANTES DE USAR

1. Utilice la plancha sólo para lo que fue diseñada.
2. Para protegerse contra el riesgo de descargas eléctricas, no sumerja la plancha en agua u otros líquidos.
3. La plancha siempre deberá estar apagada/OFF antes de conectarla o desconectarla de la toma de corriente eléctrica. Nunca jale el cable para desconectarlo de la toma de corriente eléctrica; por el contrario, agarre la clavija y desconéctela.
4. No permita que el eléctrico toque superficies calientes. Deje que la plancha se enfríe completamente antes de guardarla. Enrolle el eléctrico alrededor del carrete de la plancha para almacenarla.
5. Siempre desconecte la plancha de la toma de corriente eléctrica cuando la llene con agua o cuando la vacíe y cuando no esté en uso.
6. No opere la plancha con un cable dañado o después de que la plancha se ha caído o dañado. Para evitar el riesgo de descarga eléctrica, no desensamble la plancha. Llévela con una persona calificada para su reexaminación y reparación. Si la plancha ha sido ensamblada de nuevo incorrectamente, puede existir el peligro de descargas eléctricas cuando se utilice.
7. Supervisión cercana es necesaria cuando cualquier electrodoméstico es usado por niños o cerca de ellos. No deje la plancha desatendida cuando esté conectada o cuando esté sobre la tabla de planchado.
8. Quemaduras pueden ocurrir al tocar agua, vapor y partes metálicas calientes. Tenga cuidado cuando invierta la posición de una plancha de vapor – puede haber agua caliente en el tanque de agua.
9. Si la plancha no está funcionando de una forma normal, desconecte de la toma de corriente eléctrica y lleve el aparato con el personal de servicio para que sea revisada.
10. Su plancha Sunbeam® está diseñada para que descansa sobre su base posterior o talón. No deje su plancha desatendida. No coloque la plancha sobre una superficie sin protección, aún cuando ésta esté sobre su base de descanso.

INSTRUCCIONES ESPECIALES

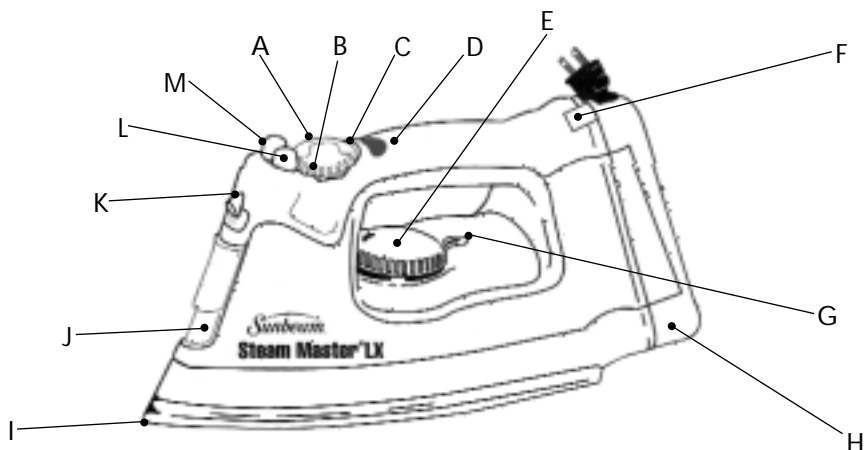
1. Este aparato tiene una potencia de 1200 Watts.* Para evitar que el circuito eléctrico se sobre cargue, no opere otro aparato de alta potencia en el mismo circuito.
2. Si un cable de extensión es absolutamente necesario, un cable de 10 amperios debe de usarse. Cables con un amperaje menor pueden sobre calentarse. Coloque el cable de extensión de manera que no se corra el riesgo de jalarlo o de tropezarse con él.

GUARDE ESTAS INSTRUCCIONES

PARA PRODUCTOS COMPRADOS EN ESTADOS UNIDOS Y CANADÁ ÚNICAMENTE.

Para reducir el riesgo de descargas eléctricas, este aparato cuenta con una clavija polarizada (una cuchilla es más ancha que otra). Como medida de seguridad, esta clavija entra sólo de una manera en un enchufe polarizado. Si la clavija no encaja en el enchufe simplemente colóquela al revés. Si aún así no encaja llame a un electricista calificado. De ninguna manera intente modificar esta medida de seguridad.

* En México, la plancha funciona a 127 Voltios, 1350 Watts. Si un cable de extensión es necesario, un cable de 13 amperios debe de usarse.



CARACTERÍSTICAS

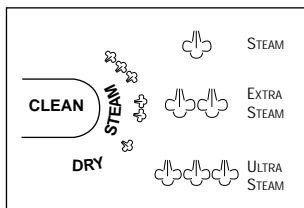
- A. Disco de Vapor Variable** — Ajusta el nivel de vapor para las diferentes necesidades de planchado. Para planchar en seco, gire el disco a SECO/DRY. Para planchar con vapor, gire el disco a la posición Para más vapor gire el disco a la posición o a la posición (Observe la Guía de Planchado para obtener las recomendaciones de las temperaturas adecuadas).
- B. Válvula de Vapor** (conectada al disco de vapor variable) — Removible para prevenir la acumulación de residuos.
- C. Marca Para Indicación de Vapor**
- D. Indicador de Apagado Automático** (Algunos Modelos Solamente)
- E. Disco de Temperatura** — Controla la salida de calor de la plancha. Ajuste el disco de acuerdo a las necesidades del planchado. Para usar una temperatura baja, gire el disco y colóquelo en el primer punto. Para usar una temperatura media, gire el disco y colóquelo en el segundo conjunto de puntos. Para temperaturas más altas, gire el disco y colóquelo en el tercer conjunto de puntos. (Observe la Guía de Planchado para obtener las recomendaciones de las temperaturas adecuadas).
- F. Botón Para Enrollar el Cable** — Recoje el cable al presionar el botón. (Observe la Guía Usando el Cable Retractable)
- G. Marca Para Indicar la Temperatura.**
- H. Carrete del Cable** — Para almacenar el cable convenientemente. Permite el uso del cable necesario, eliminando el exceso de cable que se arrastra por la tela.
- I. Placa Inferior** — Tiene un canal a todo lo largo del borde de la plancha, para planchar con más comodidad por debajo de los botones de camisas o blusas, algunos modelos no tienen acabado antiadherente.
- J. Cubierta Deslizable en el Tanque de Agua** — Previene que polvo y materias extrañas entren al tanque de agua; también ayuda a evitar que el agua salpique mientras se está planchando.
- K. La Función de SPRAY MIST®** (Algunos Modelos Únicamente)
- L. Botón SPRAY MIST®** — Provee un fino rocío para humedecer el área deseada.
- M. Botón SHOT OF STEAM®** — Provee vapor extra penetrante para un máximo poder. En modelos selectos también puede ser utilizado mientras la plancha se mantiene verticalmente para remover arrugas en prendas de vestir que estén colgadas o en cortinas.
- **Apagado Automático SAFETY SMART®** (Algunos Modelos Únicamente) — Apaga la plancha si ha permanecido inmóvil por 15 minutos en posición vertical o por 30 segundos en la posición de planchado.

USANDO EL CABLE RETRACTABLE

1. **Cuando enrolle el cable, sostenga el enchufe con una mano y presione el botón para enrollar con la otra mano. (Si no sostiene el enchufe, éste puede ser lanzado al aire sin control.)**
2. El carrete del cable es de tamaño compacto, para permitir enrollar el cable en varias capas. En caso de que el cable no esté completamente enrollado, jálalo hacia afuera y guíelo para enrollarlo uniformemente.
3. En caso de que el cable no pueda sacarse fácilmente, jálalo firmemente.
4. Seleccione el largo del cordón que desea utilizar antes de enchufarlo en la toma de corriente eléctrica.
5. No permita que los niños usen la función del cable retractable ya que éste puede causar lesiones.

ANTES DE USAR POR PRIMERA VEZ

- Cuando encienda por primera vez, su nueva plancha podrá emitir cierto olor por aproximadamente 10 minutos. Ésto es normal y se debe al calentamiento inicial de los materiales con los que está fabricada. No son peligrosos y no afectarán el desempeño del producto. Esto sólo sucederá la primera vez.
- Antes del primer uso, limpie las salidas de vapor usando la función SHOT OF STEAM®. Después de limpiar las salidas, pase la plancha sobre un paño de algodón para remover cualquier residuo.
- Cuando no esté planchando siempre coloque el disco de vapor en la posición SECO/DRY. (Observe el Diagrama).






INSTRUCCIONES DE USO

Planchado En Seco

- Conecte el cable en una toma de corriente alterna de 120 voltios. En aparatos que tengan la función de apagado automático, la luz de apagado automático se iluminará.
- Gire el disco de temperatura a la posición deseada (*observe la Guía de Planchado para recomendaciones de las temperaturas adecuadas*). Mientras la plancha se calienta, coloque la plancha sobre su base posterior en una superficie estable y protegida.
- Coloque el disco de vapor en la posición SECO/DRY para prevenir que el vapor fluya si hay agua en el tanque.

Planchado con Vapor

- Asegúrese de que el enchufe sea removido de la toma de corriente eléctrica de la pared antes de llenar la plancha con agua.
- Gire el disco de vapor a la posición SECO/DRY
- Coloque la plancha sobre su base posterior o talón y abra la tapa del tanque de agua. Vierta agua lentamente dentro del tanque de agua. Llene con agua hasta el nivel máximo. **Para prevenir contra el riesgo de quemaduras, tenga cuidado al llenar con agua una plancha que este caliente. Quemaduras pueden ocurrir al tocar las partes de metal caliente, agua caliente o vapor.** Empuje firmemente para cerrar la tapa. NOTA: Debido al diseño especial de esta plancha, puede usar agua del grifo. Sin embargo se recomienda usar agua destilada o desmineralizada en áreas que tienen agua muy dura.
- Gire el disco de temperatura a cualquiera de los niveles de temperatura que están dentro de la banda de vapor y permita que la plancha se caliente aproximadamente por 2 minutos antes de planchar. Mientras se calienta, coloque la plancha sobre su base posterior o talón en una superficie estable y protegida.
- Gire el disco de vapor a la posición  para vapor normal, o a  para vapor extra o a  para ultra vapor. NOTA: Cuando use vapor extra o vapor ultra, puede ser necesario llenar el tanque de agua más a menudo.

La Función De SHOT OF STEAM®



- La función SHOT OF STEAM® provee una descarga de vapor extra potente para una penetración más profunda en las arrugas difíciles. La función SHOT OF STEAM® puede usarse con el planchado en seco o con el planchado a vapor siempre que el tanque esté lleno de agua al menos a 1/4 de su capacidad y el disco de temperatura esté colocado en la posición de la banda de vapor.
- Permita que la plancha se caliente por aproximadamente dos minutos.
- Coloque la plancha arriba de la arruga y presione el botón de SHOT OF STEAM® cada vez que desee una descarga de vapor adicional. La función SHOT OF STEAM® puede usarse continuamente con sólo una corta pausa entre cada descarga.

VAPOR VERTICAL

(Algunos Modelos Únicamente)

La función de vapor vertical permite que su plancha funcione como un vaporizador de prendas de vestir.

NOTA: Cuando esté utilizando el vapor vertical en prendas de vestir, cuelgue éstas en un gancho de ropa para mejores resultados. Cortinas que estén colgadas también pueden ser vaporizadas.

Para usar el vapor vertical:

1. Asegúrese de que la plancha se haya calentado (2 minutos)
2. Sostenga la plancha en posición vertical, mantenga la plancha cerca de la prenda que usted quiere vaporizar, pero sin tocar la misma.
3. Con la otra mano estire la prenda firmemente
4. Presione el botón de SHOT OF STEAM® con unos intervalos de aproximadamente 3 segundos, mientras mueve la plancha alrededor del área arrugada.

ADVERTENCIA: Para prevenir el riesgo de quemaduras, mantenga sus manos fuera del área que esta vaporizando.

NO vaporice prendas de vestir mientras las tiene puesta; esto puede resultar en lesiones.

La Función de Spray Mist®

(Algunos Modelos Únicamente)

- Use la función SPRAY MIST® para humedecer las telas que tengan arrugas difíciles.
- Presione el botón gris SPRAY MIST® firmemente para producir el rocío.

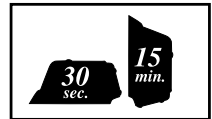
La Función De Apagado Automático MOTION SMART®

(Algunos Modelos Únicamente)

- Cuando la plancha está conectada en una toma de corriente alterna de 120 voltios, la luz indicadora roja señala que la plancha está encendida.
- Si la plancha se deja en posición vertical, sobre su base posterior o talón durante 15 minutos, la plancha dejará de calentar. **La luz en el mango de la plancha titilará indicando que la plancha se ha apagado automáticamente y continuará titilando hasta que la plancha sea desconectada o encendida nuevamente.**
- Si la plancha se deja en la posición de planchado, la función de apagado automático se activará en 30 segundos. **Una vez más, la luz en el mango de la plancha titilará para indicar que la plancha se apagó automáticamente y continuará titilando hasta que la plancha sea desconectada o encendida nuevamente.**

NOTA: Si el disco de temperatura ha sido girado a la posición de apagado/OFF, la luz continuará titilando y después se apagará.

- Para encender la plancha nuevamente, mueva la plancha hacia adelante y hacia atrás. Permita que la plancha se caliente y continúe planchando normalmente.



Acabado Antiadherente



(Algunos Modelos Únicamente)

- El acabado antiadherente previene que la tela y los residuos de almidón se peguen a la placa inferior.
- Para limpiar la placa inferior, permita que la plancha se enfríe y limpie con un paño suave usando una solución de vinagre diluida.
- No use fibras o esponjas, limpiadores abrasivos o solventes químicos, ya que pueden dañar el acabado.

NOTA: Cualquier raspadura o rayón en la placa inferior de la plancha, no afectara su desempeño.

CUIDADOS DESPUÉS DE CADA USO

- Gire el disco de vapor a la posición SECO/DRY
- Desconecte la plancha de la toma de corriente.
- Vacíe el tanque de agua abriendo la tapa del tanque e invirtiendo la plancha para permitir que el agua fluya por la abertura. Sacuda la plancha ligeramente para remover las gotas de agua que hayan sobrado.
- Cierre la tapa y permita que la plancha se enfríe.
- Enrolle el cable alrededor del carrete para guardarlo. Siempre guarde la plancha sobre su base posterior o talón.
- Cuando no esté planchando, siempre coloque el disco de vapor a la posición SECO/DRY

CUIDADOS Y MANTENIMIENTO

Válvula De Vapor

La válvula de vapor (*junto al disco de vapor variable*) es removible para facilitar la limpieza de pelusas y residuos. Es necesario limpiar la válvula de vapor sólo si usted nota una reducción en el desempeño del aparato al planchar con vapor. Para remover la válvula de vapor, vacíe el tanque de agua y coloque la plancha sobre la placa inferior. Gire el disco de vapor variable a la posición LIMPIAR/CLEAN. La válvula "saltará hacia afuera". Jale hacia arriba para remover completamente la válvula. Limpie la punta suavemente con un paño húmedo. Para reemplazar, alinee la marca para indicar con la posición LIMPIAR/CLEAN. Presione hacia abajo y gire en sentido de las manecillas del reloj a la posición SECO/DRY.

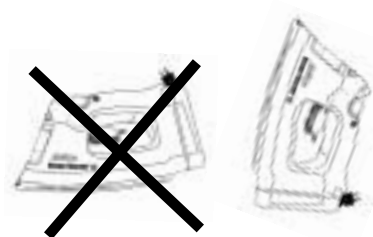
NOTA: No vierta agua dentro de la abertura de la válvula de vapor.

Placa Inferior

Si almidón o cualquier otro material se adhiere a la placa inferior de la plancha, permita que la plancha se enfríe y limpie con un paño suave y húmedo. Evite planchar sobre cierres de contacto, cierres de metal o cremalleras, ribetes en los pantalones de mezclilla o jeans, etc., ya que puede rayar la placa inferior de la plancha.

Almacenamiento

Siempre almacene su plancha en la base de descanso o talón. Nunca almacene con la placa inferior hacia abajo o dentro del empaque. Siempre almacene su plancha con el disco de vapor colocado en la posición SECO/DRY. Enrolle el cable alrededor del carrete de almacenamiento.



Mantenimiento

La plancha no necesita ningún otro mantenimiento que no sea el recomendado en las instrucciones de este manual. Sin embargo, enseguida encontrará una lista de preguntas que se hacen con mayor frecuencia acompañadas de sus repuestas. Si por cualquier razón su plancha continúa presentando uno de estos síntomas, o requiere reparación por cualquier otro motivo, envíe el producto al Centro de Servicio de Aparatos Sunbeam o llame a la Línea de Ayuda al Consumidor 1-800-597-5978.

PROBLEMA	SOLUCIONE
La plancha emite un olor extraño	<ul style="list-style-type: none">• La plancha emite un olor extraño cuando se prende por primera vez.• Permita que transcurran 10 minutos para que el olor desaparezca.
La plancha no calienta	<ul style="list-style-type: none">• La plancha se debe conectar únicamente en una toma de corriente eléctrica alterna de 120 voltios.• El disco de temperatura debe de colocarse en la temperatura deseada.• La función de apagado automático puede estar activada (<i>Algunos Modelos Únicamente</i>). Mueva la plancha hacia adelante y hacia atrás para encenderla de nuevo.
La plancha no genera vapor	<ul style="list-style-type: none">• El tanque de agua puede estar vacío. Gire la válvula de vapor a la posición SECO/DRY y agregue agua.• Permita que la plancha se caliente, después coloque el disco de vapor en una de las posiciones para usar vapor. Use temperaturas que estén dentro de la banda de vapor.• Puede haber una obstrucción. Remueva la válvula para vapor girando a la posición LIMPIAR/CLEAN. Coloque de nuevo y ponga el disco de vapor en una de las posiciones para usar vapor.
La función SHOT OF STEAM® no funciona	<ul style="list-style-type: none">• El tanque de agua debe de estar lleno por lo menos a 1/4 de su capacidad• La temperatura debe colocarse en la posición de vapor• La plancha debe de colocarse en posición horizontal.• Bombée un poco.• Permita una ligera pausa entre cada descarga de vapor.• Asegúrese de despresionar completamente el botón SHOT OF STEAM.®
La función SPRAY MIST® no funciona	<ul style="list-style-type: none">• El tanque de agua debe de estar lleno por lo menos a 1/4 de su capacidad.
La plancha está escurriendo agua	<ul style="list-style-type: none">• El disco de vapor variable debe ser colocado en la posición SECO/DRY hasta que la plancha esté caliente.• La temperatura es demasiado baja para producir vapor (observe la guía de planchado).
El Cable no sale	<ul style="list-style-type: none">• Tire del cable firmemente para desenrollar.• Presione el botón del carrete para reajustar el dispositivo, después tire del cable.
El Cable no retracta	<ul style="list-style-type: none">• Saque la cuerda una vez y enrolle la cuerda uniformemente en el carrete.

CONSEJOS DE PLANCHADO

- Siempre lea las etiquetas en las prendas y siga las recomendaciones que le dé el fabricante de la tela.
- Organice las prendas que planchará de acuerdo al tipo de tela.
- Las prendas que requieren bajas temperaturas y poco vapor, deben ser planchadas primero para evitar dañar las prendas con una plancha que está demasiado caliente.
- Si usted no está seguro de los materiales contenidos en una prenda, inicie en una zona de la prenda escondida o que no se note, tales como las costuras o el revés, haga esto antes de planchar en una zona visible. Inicie con una temperatura baja y gradualmente incremente la temperatura hasta encontrar el nivel de temperatura adecuado.
- Cuando reduzca la temperatura para planchar telas delicadas, deje pasar aproximadamente 5 minutos para que la temperatura en la plancha baje al nuevo nivel.
- Cuando planche con vapor, pase la plancha sobre la tela con movimientos lentos y largos. Esto permitirá que el vapor penetre en la tela mientras que el calor en la placa inferior seca la humedad.
- Para planchar los forros, planche por el revés. Tenga cuidado de no usar una plancha demasiado caliente ya que el forro puede derretirse o pegarse a la placa inferior de la plancha.
- Para planchar cierres o cremalleras, use un paño o asegúrese de que el cierre o cremallera esté cerrado y planche el revés. Nunca planche directamente sobre un cierre o cremallera sin protección.
- Use el siguiente cuadro para conocer el método y selección que mejor se ajusten a la tela que desea planchar.

GUÍA DE PLANCHADO

TELA	TEMPERATURA	RECOMENDACIONES DE PLANCHADO
Acrílico	•	Plancha seca en el lado contrario.
Acetato	•	Plancha seca en el lado contrario mientras esté húmeda.
Seda	••	Plancha seca en el lado contrario. Use un paño para prevenir las marcas de brillo.
Nylon	••	Plancha en el lado contrario mientras esté húmeda.
Poliéster	••	Plancha en el lado contrario mientras esté húmeda.
Rayón	••	Plancha en el lado contrario.
Viscosa	••	Principalmente plancha seca. Puede usar vapor si así lo indica el fabricante.
Lana	••	Plancha con vapor en el lado contrario o use un paño para planchar.
Mezclas de Lana	••	Plancha con vapor en el lado contrario o use un paño para planchar.
Mezclas de Algodón	••	Lea la etiqueta y siga las instrucciones del fabricante. Use la temperatura que se indica para el material que requiera el nivel más bajo.
Pana	•••	Plancha con vapor en el lado contrario o use un paño al planchar y cepille para levantar el tejido.
Algodón	•••	Plancha seca mientras esté húmeda o use vapor extra y/o la función HOT OF STEAM®. Plancha telas oscuras en el lado contrario para evitar que la tela brille.
Lino	•••	Plancha en el lado contrario o use un paño para planchar para prevenir las marcas de brillo, especialmente con colores oscuros. Plancha seca mientras esté húmeda o use vapor y/o la función HOT OF STEAM®. Plancha cada sección hasta que esté seca.
Mezclilla/Jeans	•••	Use vapor extra y/o la función SHOT OF STEAM®.

VAPOR Y SHOT OF STEAM®
 VAPOR Y SHOT OF STEAM®
 VAPOR Y SHOT OF STEAM®
 PLANCHADO EN SECO EN CUALQUIER TEMPERATURA

GARANTÍA LIMITADA DE 1 AÑO

Sunbeam Products Inc. ("Sunbeam") garantiza que, por un periodo de UN año a partir de la fecha de compra, este producto estará libre de defectos en el material y en su fabricación. Discrecionalmente Sunbeam reparará o repondrá este producto o cualquier componente del mismo si se encuentra defectuoso durante el periodo de garantía. La reposición se hará con un producto o un componente nuevo o prefabricado. Si el producto ya no está disponible, la reposición se hará con un producto similar de igual o mayor valor. Ésta es su garantía exclusiva.

Ésta garantía es válida para el comprador original a partir de la fecha de compra inicial y no es transferible. Guarde el recibo de compra original. La prueba de compra es requerida para obtener los servicios de garantía. Los vendedores de productos Sunbeam, los centros de servicio o tiendas que vendan productos Sunbeam no tienen el derecho de alterar, modificar o realizar ningún otro cambio a los términos y condiciones de esta garantía.

Esta garantía no cubre el desgaste por uso normal o daños de partes como resultado de lo siguiente: uso negligente o mala utilización del producto, uso con una corriente eléctrica o un voltaje inadecuados, uso contrario a las instrucciones de operación, desensambles, reparaciones o alteraciones que no sean hechas por Sunbeam o por un Centro de Servicio Autorizado. Además, la garantía no cubre desastres naturales tales como incendios, inundaciones, huracanes y tornados.

Sunbeam Products Inc. no se hace responsable por ningún daño emergente o incidental causado por el rompimiento de cualquier garantía expresa o implícita. Excepto al alcance prohibido por la ley aplicable, cualquier garantía implícita de comercialización o arreglo para un propósito particular, está limitada en duración de la garantía antes mencionada. Algunos estados, provincias o jurisdicciones no permiten la exclusión o limitación de daños emergentes o incidentales, o limitaciones en la duración de una garantía implícita, así que las limitaciones o exclusiones pueden no ser aplicables para usted. Esta garantía le da a usted derechos legales específicos y puede también tener otros derechos que pueden variar de estado a estado o de provincia a provincia.

CÓMO OBTENER LOS SERVICIOS DE LA GARANTÍA

Lleve este producto a un Centro de Servicio Autorizado Sunbeam. Usted puede encontrar el Centro de Servicio Autorizado Sunbeam más cercano llamando al **1 800 458-8407**. o visite nuestra pagina web: www.sunbeam.com

NO REGRESE ESTE PRODUCTO AL LUGAR DE COMPRA.

Para preguntas sobre products:
Sunbeam Consumer Service
P.O. Box 948389
Maitland, FL 32794-8389

1 - 8 0 0 4 5 8 - 8 4 0 7

www.sunbeam.com

NOTES/NOTAS

NOTES/NOTAS

Sunbeam®

©2002 Sunbeam Corporation or its affiliated companies. All right reserved. SUNBEAM®, STEAM MASTER®, SHOT OF STEAM®, SPRAY MIST® and MOTION SMART® are registered trademarks of Sunbeam Corporation or its affiliated companies. FLEXCord and SILK STEAM are trademarks of Sunbeam Corporation or its affiliated companies. Distributed by Sunbeam Products Inc., Boca Raton, Florida 33431, or an affiliated company.



©2002 Sunbeam Corporation o sus compañías afiliadas Todos los derechos reservados. SUNBEAM®, STEAM MASTER®, SHOT OF STEAM®, SPRAY MIST® y MOTION SMART® son marcas registradas de Sunbeam Corporation o de sus compañías afiliadas. FLEXCord y SILK STEAM son marcas de Sunbeam Corporation o de sus compañías afiliadas. Distribuido por Sunbeam Products Inc., Boca Ratón, Florida 33431, o alguna compañía afiliada.

U.S. Patent Nos. D376,234 D389,967
4,686,352 5,619,812 5,621,989 5,5,787,615

Foreign Patents Pending www.Somanuals.com. All Manuals Search And Download P/N: 103635-003

Free Manuals Download Website

<http://myh66.com>

<http://usermanuals.us>

<http://www.somanuals.com>

<http://www.4manuals.cc>

<http://www.manual-lib.com>

<http://www.404manual.com>

<http://www.luxmanual.com>

<http://aubethermostatmanual.com>

Golf course search by state

<http://golfingnear.com>

Email search by domain

<http://emailbydomain.com>

Auto manuals search

<http://auto.somanuals.com>

TV manuals search

<http://tv.somanuals.com>