

Sunbeam

Cordless Filter Cordless Automatic Kettle

Instruction Booklet
KE2350

Please read these instructions carefully
and retain for future reference.



Contents

Sunbeam's Safety Precautions	1
Features of your Cordless Filter Kettle	2
Using your Cordless Filter Kettle	4
Sunbeam's 3 Way Safety System	5
Care and Cleaning	6

Important instructions – retain for future use.

تأكد من تفهم احتياطات السلامة المذكورة اعلاه

請務必理解上述的安全預防措施。

Assurez-vous que les précautions ci-dessus relatives à la sécurité sont bien comprises

Versichern Sie sich, dass die obenstehenden Sicherheitsmaßnahmen verstanden werden

Βεβαιώνετε πως οι παραπάνω προφυλάξεις ασφαλείας γίνονται κατανοητές

Pastikan bahwa tindakan-tindakan keselamatan seperti di atas dimengerti anda

Accertatevi che le suddette norme di sicurezza siano comprese a dovere

上記の注意事項をよくお読みになり、安全を御確認ください

Уверете се дека погоре споменатите мерки на претпазливост се добро разбрани

Asegúrese de que las precauciones de seguridad precedentes sean bien comprendidas

کاری بکنید کہ احتیاطهای بالا حتماً درک بشوند

ต้องแน่ใจว่า ข้อควรระวังเรื่องความปลอดภัยข้างต้น เป็นที่เข้าใจกันดี

Yukarda belirtilen güvenlik önlemlerinin anlaşılığundan emin olunuz

Xin kiểm chắc rằng những biện pháp làm an toàn kể trên được hiểu rõ

Sunbeam's Safety Precautions

SAFETY PRECAUTIONS FOR YOUR SUNBEAM KETTLE.

- Boiling water will scald. Do not leave a boiling or hot kettle near or where children may touch it.
- Boiling water may be ejected, if overfilled.
- Do not leave the power cord near the edge of a bench top where children may touch or pull it.
- Do not move kettle while switched on.
- Always turn the power off and unplug the cord while the kettle is NOT in use.
- Do not operate the kettle without water.
- Your Quantum Evo Stainless kettle must only be used with the power base supplied.
- Always operate the kettle on a flat, level surface.

Sunbeam is very safety conscious when designing and manufacturing consumer products, but it is essential that the product user also exercise care when using an electrical appliance. Listed below are precautions which are essential for the safe use of an electrical appliance:

- Read carefully and save all the instructions provided with an appliance.
- Always turn the power off at the power outlet before you insert or remove a plug. Remove by grasping the plug - do not pull on the cord.
- Turn the power off and remove the plug when the appliance is not in use and before cleaning.
- Do not use your appliance with an extension cord unless this cord has been checked and tested by a qualified technician or service person.
- Always use your appliance from a power outlet of the voltage (A.C. only) marked on the appliance.
- This appliance is not intended for use by persons (including children) with reduced physical, sensory or mental capabilities, or lack of experience and knowledge, unless they have been given supervision or instruction concerning use of the appliance by a person responsible for their safety.
- Children should be supervised to ensure that they do not play with the appliance.
- The temperature of accessible surfaces may be high when the appliance is operating.
- Never leave an appliance unattended while in use.
- Do not use an appliance for any purpose other than its intended use.
- Do not place an appliance on or near a hot gas flame, electric element or on a heated oven.
- Do not place on top of any other appliance.
- Do not let the power cord of an appliance hang over the edge of a table or bench top or touch any hot surface.
- Do not operate any electrical appliance with a damaged cord or after the appliance has been damaged in any manner. If damage is suspected, return the appliance to the nearest Sunbeam Appointed Service Centre for examination, repair or adjustment.
- For additional protection, Sunbeam recommend the use of a residual current device (RCD) with a tripping current not exceeding 30mA in the electrical circuit supplying power to your appliances.
- Do not immerse the appliance in water or any other liquid unless recommended.
- Appliances are not intended to be operated by means of an external timer or separate remote control system.
- This appliance is intended to be used in household and similar applications such as: staff kitchen areas in shops, offices and other working environments; farm houses; by clients in hotels, motels and other residential type environments; bed and breakfast type environments.

If you have any concerns regarding the performance and use of your appliance, please visit www.sunbeam.com.au or contact the Sunbeam Consumer Service Line. Ensure the above safety precautions are understood.

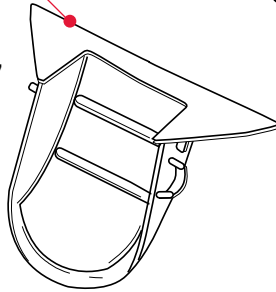
Features of your Cordless Filter Kettle

Hinged Lid

Makes the kettle easy to fill and clean

Removable scale filter

The long life stainless steel mesh filter traps scale for cleaner water, and is removable for easy cleaning.



1.8 Litre capacity

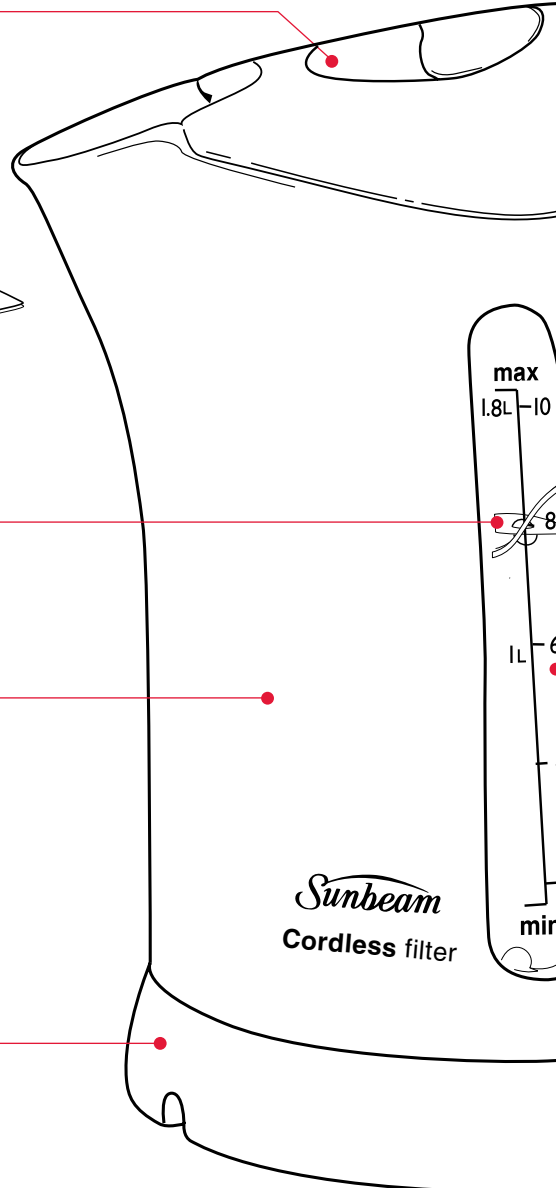
Handles large boiling requirements

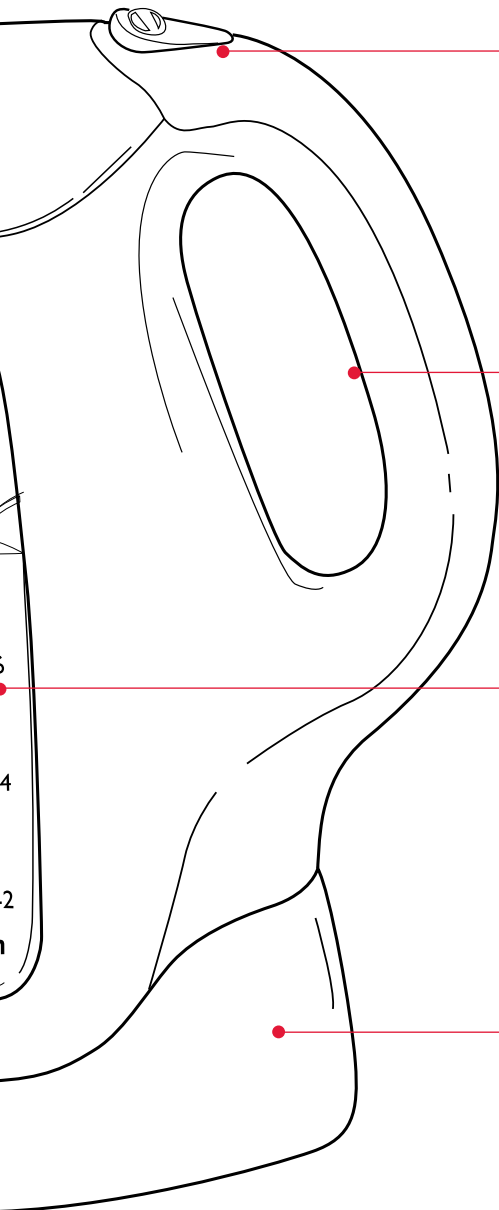
Fast boil element

Boils 2 cups in around 60 seconds

Cordless power base

Cordless for greater convenience. The power base also features a cord storage cavity underneath for safe convenient storage of excess cord.





Illuminated ON/OFF boil switch with auto cut-out
Lights up to indicate that the kettle is on and heating. Automatically switches the kettle off after boiling

3 Way Saftey System

- 1 - Switches off after boiling
- 2 - Cuts out for boil-dry protection
- 3 - Shuts down in case of overheating



Ergonomic Handle

Full-length water gauge

Cord storage facility

Using your Cordless Filter Kettle

Before Using your kettle

It is recommended that you clean your kettle before use by boiling a full kettle of water then discarding the water.

Using your kettle

1. To fill the kettle, remove it from the power base and lift the lid. Fill with the desired amount of water. Alternatively, the kettle may be filled through the spout.

Always fill the kettle between the minimum and maximum marks. Too little water will result in the kettle switching off before the water has boiled. Too much water may cause it to spill out of the spout when boiling.

Ensure that the lid is firmly in place before placing the kettle on the power base.

2. Connect the 3 pin plug into a 230-240 volt AC power outlet. Turn the power ON.

3. Position the kettle on the power base. Press the ON/OFF button. The power indicator light will light up. The kettle will switch off automatically once the water has boiled.

Note: Ensure that the ON/OFF switch is clear of obstructions and the lid is firmly closed. The kettle will not turn off if the switch is constrained or if the lid is left open.

4. Lift the kettle from the power base and pour the water.

Note: Use caution when pouring the water from your kettle, as boiling water will scald.

5. The kettle may be stored on the power base when not in use. The kettle will not re-boil until the ON/OFF switch is pressed downward.

NOTE: Ensure the power is turned OFF while the kettle is not in use.

Should you accidentally allow the kettle to operate without water, the boil-dry protection will automatically switch it off. If this should occur, allow the kettle to cool before filling with cold water and re-boiling.

Cord Storage Facility

Excess cord can be stored by feeding the cord into the storage cavity underneath the power base.

Sunbeam's 3 Way Safety System



Safety is a major consideration in the design of a Sunbeam kettle. That is why we have developed our 3 Way Safety System, which ensures that your kettle will:

1. Automatically switch off after boiling

For convenience, safety and energy efficiency, your Sunbeam kettle features an auto cut-out device.

2. Cut-out for boil-dry protection

If the kettle is operated without water, it will automatically cut-out, preventing any damage to the element.

3. Shut-down in case of overheating

In the event of overheating, the kettle will automatically shut down to prevent further damage. Should this occur, take your kettle to a Sunbeam Service Centre or Appointed Service Agent.

Care and Cleaning

Always remove the plug from the power outlet before cleaning.

Never immerse the kettle switch area or cord in water, or allow moisture to come into contact with these parts.

Removal of mineral deposits

Mineral deposits in tap water may cause the kettle interior to discolour. To remove this build up, use Sunbeam Liquid Descaler, a simple to use, non-toxic cleaner available from Sunbeam Service Centres.

Alternatively:

1. Fill the kettle with 3 cups of white vinegar and the remainder with water and allow to stand overnight. **DO NOT BOIL.**
2. Empty the solution from the kettle. Any stains remaining inside the spout can be removed by rubbing with a damp cloth. Fill the kettle with clean water, bring to boil and then discard the water. Repeat and the kettle will then be ready to use.

The outside of the kettle can be wiped over with a damp cloth.

CAUTION: Do not use chemical, steel wool, or abrasive cleaners to clean the outside of the kettle.

Notes

Notes

12 Month Replacement Guarantee

In the unlikely event that this appliance develops any malfunction within 12 months of purchase (3 months commercial use) due to faulty materials or manufacture, we will replace it for you free of charge.

Should you experience any difficulties with your appliance, please phone our customer service line for advice on 1300 881 861 in Australia, or 0800 786 232 in New Zealand. Alternatively, you can send a written claim to Sunbeam at the address listed below. On receipt of your claim, Sunbeam will seek to resolve your difficulties or, if the appliance is defective, advise you on how to obtain a replacement or refund.

Your Sunbeam 12 Month Replacement Guarantee naturally does not cover misuse or negligent handling and normal wear and tear.

Similarly your 12 Month Replacement Guarantee does not cover freight or any other costs incurred in making a claim. Please retain your receipt as proof of purchase.

The benefits given to you by this guarantee are in addition to your other rights and remedies under any laws which relate to the appliance.

Our goods come with guarantees that cannot be excluded under the Australian Consumer Law and under the New Zealand Consumer Guarantees Act.

In Australia you are entitled to a replacement or refund for a major failure and for compensation for any other reasonably foreseeable loss or damage. You are also entitled to have the goods repaired or replaced if the goods fail to be of acceptable quality and the failure does not amount to a major failure.

Should your appliance require repair or service after the guarantee period, contact your nearest Sunbeam service centre.

For a complete list of Sunbeam's authorised service centres visit our website or call:

Australia

www.sunbeam.com.au

1300 881 861

Units 5 & 6, 13 Lord Street
Botany NSW 2019 Australia

New Zealand

www.sunbeam.co.nz

0800 786 232

26 Vestey Drive, Mt Wellington
Auckland, New Zealand

Need help with your appliance?

Contact our customer service team or visit our website for information and tips on getting the most from your appliance.

In Australia

Visit www.sunbeam.com.au

Or call 1300 881 861

In New Zealand

Visit www.sunbeam.co.nz

Or call 0800 786 232

 is a registered trademark.

Made in China.

Due to minor changes in design or otherwise, the product may differ from the one shown in this leaflet.

© Copyright. Sunbeam Corporation Limited 2011.

ABN 45 000 006 771

Units 5 & 6, 13 Lord Street

Botany NSW 2019 Australia

Unit 3, Building D

26 Vestey Drive

Mt Wellington Auckland

New Zealand

Sunbeam Corporation is a division of GUD Holdings Ltd.

Free Manuals Download Website

<http://myh66.com>

<http://usermanuals.us>

<http://www.somanuals.com>

<http://www.4manuals.cc>

<http://www.manual-lib.com>

<http://www.404manual.com>

<http://www.luxmanual.com>

<http://aubethermostatmanual.com>

Golf course search by state

<http://golfingnear.com>

Email search by domain

<http://emailbydomain.com>

Auto manuals search

<http://auto.somanuals.com>

TV manuals search

<http://tv.somanuals.com>