

*Sunbeam*

# Food Processor

## 1100 watt processor with wide chute

Instruction Booklet  
LC7900

Please read these instructions carefully  
and retain for future reference.



# Contents

<b>Sunbeam's Safety Precautions</b>	<b>3</b>
<b>Features of your Food Processor</b>	<b>4</b>
<b>Attachments for your Food Processor</b>	<b>6</b>
<b>Using your Food Processor</b>	<b>7</b>
<b>Fitting/using the tools on your Food Processor</b>	<b>9</b>
<b>Storing your Food Processor</b>	<b>11</b>
<b>Handy hints for processing</b>	<b>13</b>
<b>Care and cleaning</b>	<b>15</b>
<b>Recipes</b>	<b>16</b>

## Important instructions – retain for future use.

تأكد من تفهم احتياطات السلامة المذكورة اعلاه

請務必理解上述的安全預防措施。

Assurez-vous que les précautions ci-dessus relatives à la sécurité sont bien comprises

Versichern Sie sich, dass die obenstehenden Sicherheitsmaßnahmen Verstanden werden

Βεβαιώστε πως οι παραπάνω προφυλάξεις ασφαλείας γίνονται κατανοητές

Pastikan bahwa tindakan-tindakan keselamatan seperti di atas dimengerti anda

Accertatevi che le suddette norme di sicurezza siano comprese a dovere

上記の注意事項をよくお読みになり、安全を御確認ください

Уверете се дека погоре споменатите мерки на претпазливост се добро разбрани

Asegúrese de que las precauciones de seguridad precedentes sean bien comprendidas

کاری بکنید کہ احتیاطهای بالا حتماً درک بشوند

ต้องแน่ใจว่า ข้อควรระวังเรื่องความปลอดภัยข้างต้น เป็นที่เข้าใจกันดี

Yukarda belirtilen güvenliک önlemlerinin anlaşıldığından emin olunuz

Xin kiểm chắc rằng những biện pháp làm an toàn kể trên được hiểu rõ

# Sunbeam's Safety Precautions

## SAFETY PRECAUTIONS FOR YOUR SUNBEAM FOOD PROCESSOR LC7900.

- Always use extreme care when handling blades and cutting discs. These are extremely sharp and may cause injury if handled incorrectly. Always store blades and cutting discs in their respective covers or processing containers.
- Unplug from power outlet when not in use, before putting on or taking off attachments, and before cleaning.
- Do not put hot liquids into the processing bowl. Cool to room temperature before placing in processing bowl.
- Avoid contacting moving parts at all times.
- Place the processing bowl onto the base of the processor before fitting any attachments.
- All blades and attachments should be removed with care before cleaning.
- Do not over fill the processor.
- Do not process for longer than the time periods recommended in the operating chart.
- Always remove the blade before emptying the processing bowl of its contents.
- Take care when removing the bowl from the base, emptying the bowl or during fitting and removal of blade system, as blades are extremely sharp.

**Sunbeam is very safety conscious when designing and manufacturing consumer products, but it is essential that the product user also exercise care when using an electrical appliance. Listed below are precautions which are essential for the safe use of an electrical appliance:**

- Read carefully and save all the instructions provided with an appliance.
- Always turn the power off at the power outlet before you insert or remove a plug. Remove by grasping the plug - do not pull on the cord.
- Turn the power off and remove the plug when the appliance is not in use and before cleaning.
- Do not use your appliance with an extension cord unless this cord has been checked and tested by a qualified technician or service person.
- Always use your appliance from a power outlet of the voltage (A.C. only) marked on the appliance.
- This appliance is not intended for use by persons (including children) with reduced physical, sensory or mental capabilities, or lack of experience and knowledge, unless they have been given supervision or instruction concerning use of the appliance by a person responsible for their safety.
- Children should be supervised to ensure that they do not play with the appliance.
- The temperature of accessible surfaces may be high when the appliance is operating.
- Never leave an appliance unattended while in use.
- Do not use an appliance for any purpose other than its intended use.
- Do not place an appliance on or near a hot gas flame, electric element or on a heated oven.
- Do not place on top of any other appliance.
- Do not let the power cord of an appliance hang over the edge of a table or bench top or touch any hot surface.
- Do not operate any electrical appliance with a damaged cord or after the appliance has been damaged in any manner. If damage is suspected, return the appliance to the nearest Sunbeam Appointed Service Centre for examination, repair or adjustment.
- For additional protection, Sunbeam recommend the use of a residual current device (RCD) with a tripping current not exceeding 30mA in the electrical circuit supplying power to your appliances.
- Do not immerse the appliance in water or any other liquid unless recommended.
- Appliances are not intended to be operated by means of an external timer or separate remote control system.
- This appliance is intended to be used in household and similar applications such as: staff kitchen areas in shops, offices and other working environments; farm houses; by clients in hotels, motels and other residential type environments; bed and breakfast type environments.

If you have any concerns regarding the performance and use of your appliance, please visit [www.sunbeam.com.au](http://www.sunbeam.com.au) or contact the Sunbeam Consumer Service Line.

Ensure the above safety precautions are understood.

# Features of your Food Processor

## Processing cover

The processing cover or lid of bowl provides a safety feature to the appliance. The appliance will not operate unless the bowl, cover and large feed pusher are correctly positioned and locked into place.

## 1,100 watt induction motor

The heavy base houses a powerful 1,100 watt motor. This motor is ideal for high load applications during processing, and provides a greater starting strength whilst maintaining speed throughout.

## START/STOP button

For easy use the START/STOP button starts and stops the operation of the food processor.

## Pulse

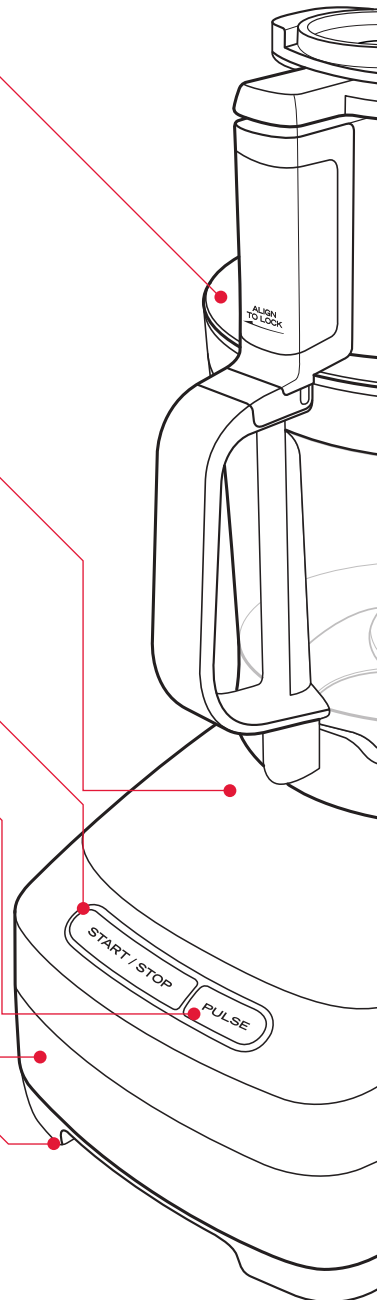
The control panel includes a Pulse function.

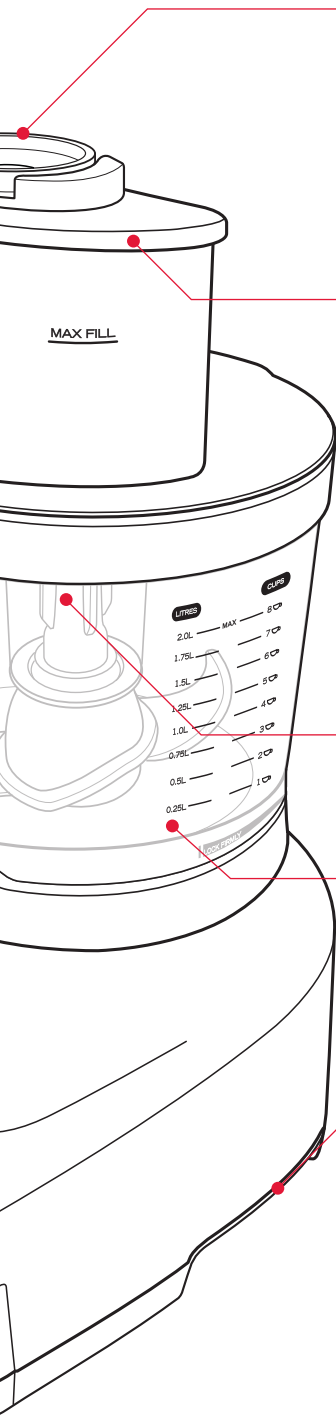
## Storage drawer

The unique drawer design enables attachments to be stored conveniently, and safely, within the appliance when not in use.

## Non-slip feet

Keeps the food processor secure on the bench top during use.





### Food Pushers

The food pushers assist in guiding the food through the chute to ensure ingredients hit the blade vertically for best processing results. Three food pushers are included, depending on the size of the chute being used and the size of foods. For thinner foods, use the smaller internal pusher for consistent even slicing. This pusher also doubles as a measuring cup.

### Wide Chute

At 14cm's wide, the extra wide chute eliminates the need to cut most ingredients, to fit into the chute. Guide ingredients through the chute into the selected blades. Additional ingredients can be added during other processing tasks.

### Chute Safety Feature

The wide chute pusher provides a safety interlock feature to the appliance. The motor will not operate unless the bowl and lid are correctly locked in position, and the large feed pusher is inserted.

### Spindle

Drives all the food processing attachments. The spindle must be in place to operate the food processor.

### Processing bowl with handle

Large 2 litre capacity processing bowl. The handle of the processing bowl includes a patent-pending robust stainless steel interlock that prevents food catching and building up, ensuring easy cleaning.

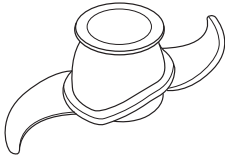
### Cord storage facility

For added convenience the unused cord length can easily be pushed into the base of the processor for storage.

# Attachments for your Food Processor

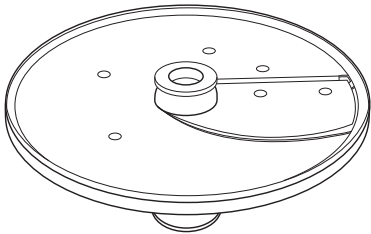
## 1. Universal 's' blade

Stainless steel smooth edged processing blade is designed for cutting, kneading, whisking and emulsifying.



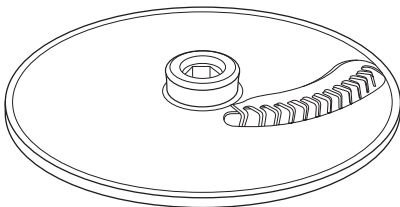
## 2. Variable slicing blade

The variable stainless steel slicing blade allows foods to be sliced to a variety of thicknesses, up to 7mm.



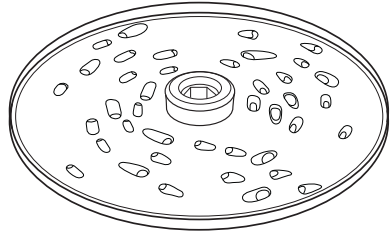
## 3. Julienne disc

The stainless steel julienne blade is perfect for achieving consistent julienne cut food, perfect for salad, stir fry or garnishing.



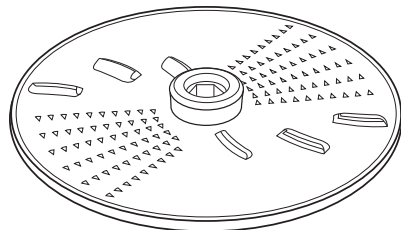
## 4. Reversible shredding disc - fine and coarse

Ideal control, the reversible stainless steel shredding blades allow for the choice of fine or coarse results.



## 5. Reversible grating and shaving disc

Unique to processing is the shaving blade. It does lovely thin flakes, great for parmesan and sweet potato crisps. The alternate side is ideal for hard cheeses and chocolate.



# Using your Food Processor

- Before using your food processor, familiarise yourself with all parts, remove all promotional and packaging materials. Use caution when handling blades, as blades are sharp.
- Wash the processing bowl, processing cover and all attachments in warm water using a mild detergent. Dry each part thoroughly before use.
- Before you assemble the food processor, ensure that the power cord is unplugged.

1. Place the motor base facing you on a dry, level surface.
2. Place the processing bowl onto the motor base, the bowl will only sit correctly on the base when the handle is positioned to the right, see figure 1.

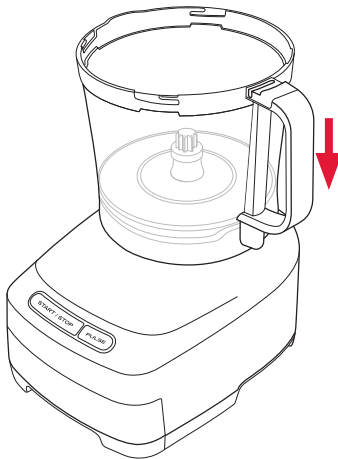


Fig 1

3. Rotate the handle clockwise to lock, as indicated by the graphics on the left side of the motorbase, see figure 2.

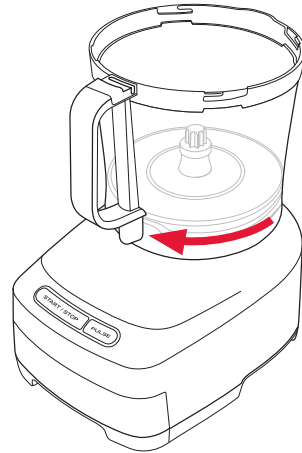


Fig 2

4. Position the lid onto the processing bowl. You will notice a marking on the holding lip on the lid, when placing the lid onto the bowl this marking needs to align with the marking on the handle of the bowl. To lock, turn the lid clockwise, as indicated by the arrow, see figure 3.

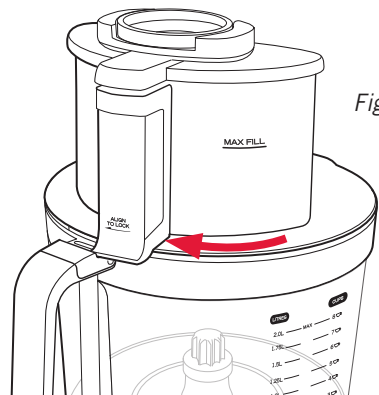


Fig 3

## Using your Food Processor continued

**Important:** If the processing bowl, processing cover and large pusher are not correctly assembled, the food processor will not operate. This is a safety feature.

### Using your Food Processor

1. Plug the power cord into a 230-240V AC power outlet and turn the power 'ON'.
2. Using the START/STOP button on the control panel, press once to start processing.

The Pulse function remains on as long as the Pulse button is pressed down.

Further ingredients can be added whilst the appliance is running by pouring through the medium or small feed tube once the food pusher/s have been removed. Removing the large pusher will stop the motor running.

3. After you have completed processing, press the START/STOP button to stop processing.

**Note:** For maximum control, load the feed tube before turning on your food processor. Always use the food pusher for more evenly processed foods and never push with your fingers.

**Important:** The food processor is fitted with a safety thermal cut-out device and will shut off in the event of overload. If this occurs, switch the appliance off and it will automatically reset when cool.



# Fitting/Using the tools on your Food Processor

**Note:** All attachments must be firmly attached to the spindle. Always adjust the attachments until you are sure that they are correctly fitted.

## Placing the spindle

1. Fit the spindle onto the drive shaft, see figure 4.

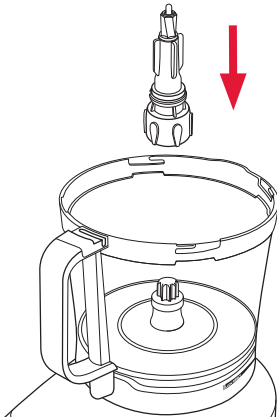


Fig 4

3. Place food into the processing bowl.
4. Fit the processing cover to the processing bowl, see figure 3 and place the food pusher in the feed chute.
5. Plug the power cord into a 230-240V AC power outlet and turn the power 'ON'.
6. Start processing using the START/STOP or Pulse buttons.
7. When processing is complete, remove the spindle and blade from the processing bowl before removing the processed food.

## Universal 's' Blade

1. Fit the processing bowl and spindle as detailed previously in figures 1, 2 & 4.
2. Fit the universal 's' blade over the spindle and press firmly into place, see figure 5.

**Warning:** Use caution, as blades are sharp. Always handle the processing blade by its central plastic section.

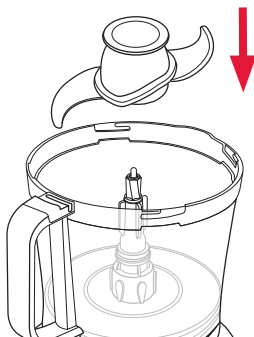


Fig 5

## Fitting/Using the tools on your Food Processor continued

### Reversible grating/shaving, shredding and julienne discs

1. Fit the processing bowl and spindle as detailed previously, in figures 1, 2 and 4.
2. Select the 'reversible' disc of your choice – shredding (fine or coarse), grating/shaving or the dedicated julienne disc.
3. Fit the disc over the spindle and press firmly into place, see figure 6.

**Warning:** Use caution as the blades are sharp.

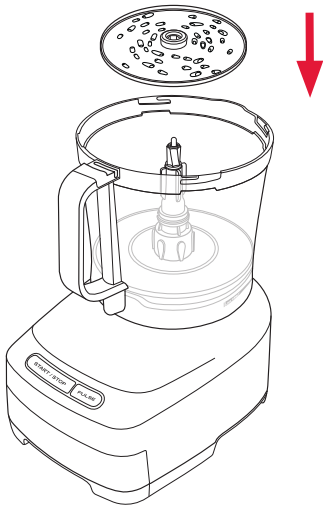


Fig 6

4. Fit the processing cover to the processing bowl as previously shown in figure 3 and place the food pusher in the feed chute.
5. Plug the power cord into a 230-240V AC power outlet and turn the power 'ON'.
6. Start processing using the START/STOP button.
7. When processing is complete, remove the disc and spindle from the processing bowl before removing the processed food.

### Variable slicing blade

1. Fit the processing bowl and spindle as detailed previously in figures 1, 2 and 4.
2. Fit the slicing disc over the spindle and press firmly into place, see figure 7.

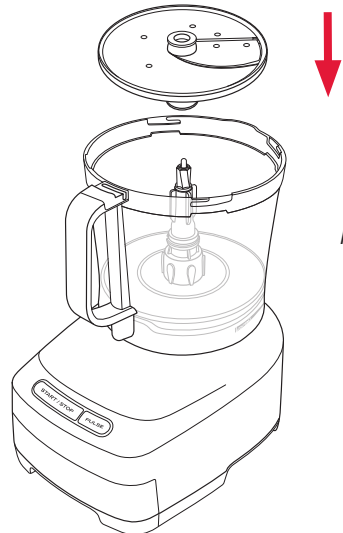


Fig 7

**Warning:** Use caution as the blades are sharp.

3. Fit the processing cover to the processing bowl as previously shown in figure 3 and place the food pusher in the feed tube.
4. Plug the power cord into 230-240V AC power outlet and turn the power 'ON'.
5. Start processing using the START/STOP button.
6. When processing is complete, remove the disc and spindle from the processing bowl before removing the processed food.

# Storing your Food Processor

The food processor was designed so that all attachments can be stored within the unit itself, see figure 8.

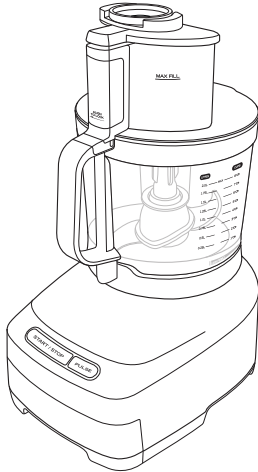


Fig 8

## Storage drawer

The 'julienne blade', 'reversible shredding' disc, 'reversible grating and shaving' disc are all stored in the storage drawer.

1. Slide out the storage drawer at the base of the food processor.

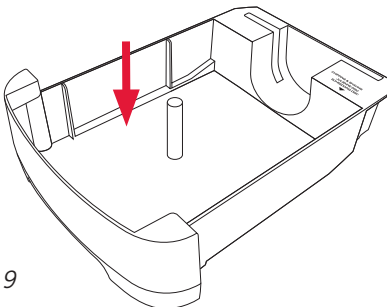


Fig 9

2. Place one of the 'reversible discs' in storage drawer as indicated in figure 10.

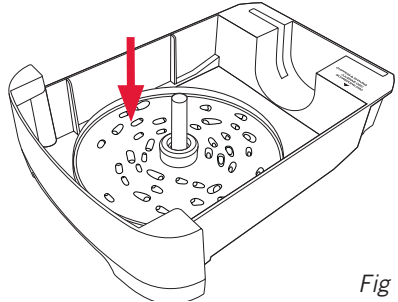


Fig 10

3. Place the 'julienne disc' in the storage drawer as indicated in figure 11.

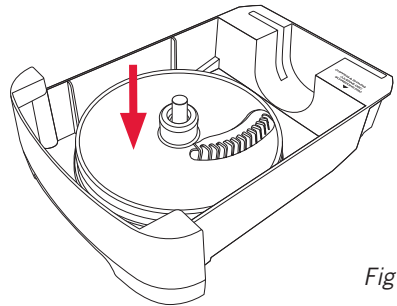


Fig 11

5. Place the remaining 'reversible disc' in on top of the first 'julienne disc' as indicated in figure 12.

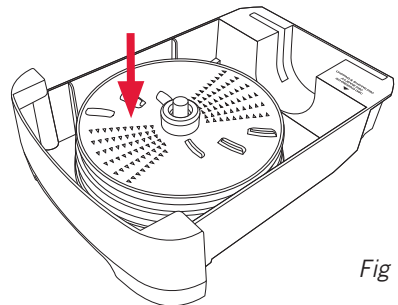


Fig 12

# Storing your Food Processor continued

6. Close storage drawer, see figure 13.

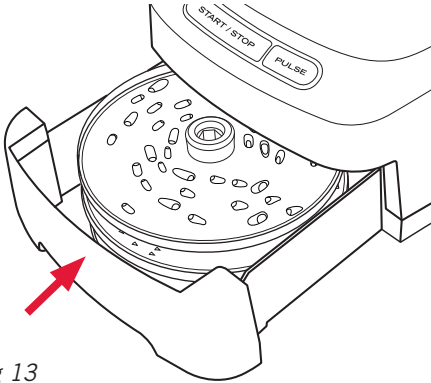


Fig 13

**Processing bowl storage**, see figure 14.

1. Place the processing bowl onto the base of the food processor.
2. Fit the spindle over the drive shaft.
3. Fit the universal 's' blade over spindle.
4. Place the 'variable slicing' blade over the spindle and then fit the processing cover to the processing bowl.

**Cord storage**

The power cord can be stored by pushing it into the back of the motor base, see figure 15.

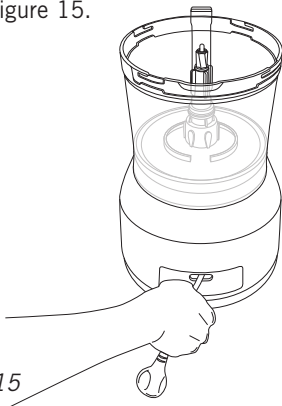


Fig 15

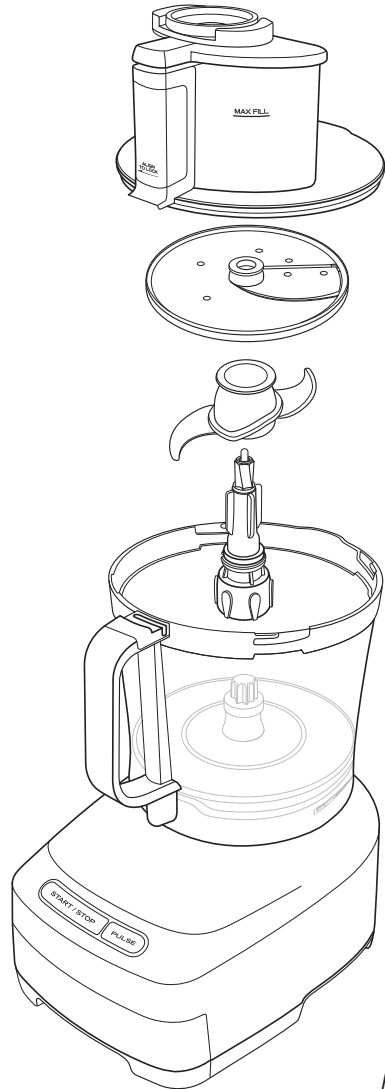


Fig 14

# Handy hints for Processing

## Chopping

For the best, most consistent results, you should try to process pieces of food that are approximately equal in size. When you break, cut or tear food into uniform pieces before you begin processing, the finished results will be more uniform.

More consistent processing results are achieved if the container is not overloaded.

## Mincing

Pre-cut meat into cubes approximately 2cm square.

## Vegetables

When processing vegetables such as onions, peel and quarter or cut large vegetables into eighths.

## Mixing

The quantities that can be processed within the Processing bowl will vary with the density of the mixture.

## For best results with cheese

Softer cheeses such as Cheddar or Swiss should be well chilled before processing. For best results with harder cheeses such as Parmesan or Romano, use the shaving disc, with the cheese at room temperature.

**Note:** When grating parmesan cheese do not apply a lot of pressure to the food pusher.

## Soups

When preparing soups, always allow ingredients to cool to room temperature, before processing.

## Adding Ingredients

When various recipes require dry ingredients such as flour, add them directly into the processing bowl before processing. There is no need to sift ingredients when using your food processor. Liquid ingredients may be added while the processor is operating by pouring through the feed tube in the processor cover.

**Note:** When processing sauces or semi-liquid ingredients, stop the food processor and scrape down the container sides.

## Using the Feed Tube

The most important factor for successful slicing and shredding is the way in which the food is packed into the feed tube.

## When slicing, shredding, shaving or grating

Cut all ingredients to a size that fits comfortably into the feed tube. Pack the feed tube and, while holding food steady and upright with the food pusher, press down evenly until all ingredients are sliced or shredded. The more firmly you push, the thicker the slices or shreds. Do not use excessive force or you may damage the food processor.

**Note:** Never use fingers to push food down the feed tube. Always use the food pusher.

## For best results when slicing

The feed tube should always be packed firmly to allow each piece of food to support the others. There will always be a small portion of food left unprocessed between the food pusher and the blade.

## Handy hints for Processing continued

### Preparing longer slices

Pack food items horizontally in the feed tube, see figure 16.

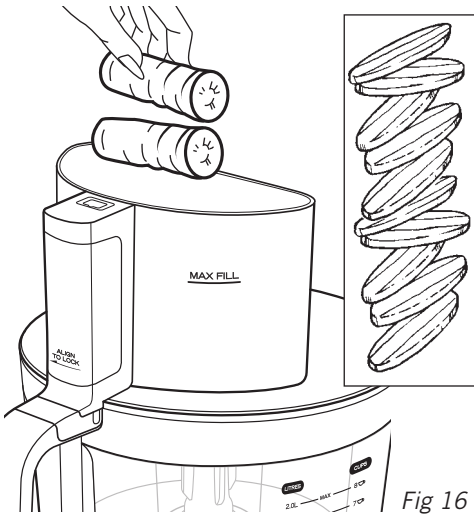


Fig 16

### Food Pusher

Use the food pushers to help guide food through the chute for even, consistent processing. Use the smaller food pushers for smaller, thinner foods for best results.

**Note:** Always wait for the universal 's' blade or any attachments to stop moving completely before removing the processing cover.

**Warning:** Use extreme caution, as blades are sharp. Always handle the universal 's' blade by its central plastic section.

**Warning:** The variable slicing blade can be used in the large processing bowl only.

### Preparing shorter slices

Pack the food items vertically in the feed tube, see figure 17.

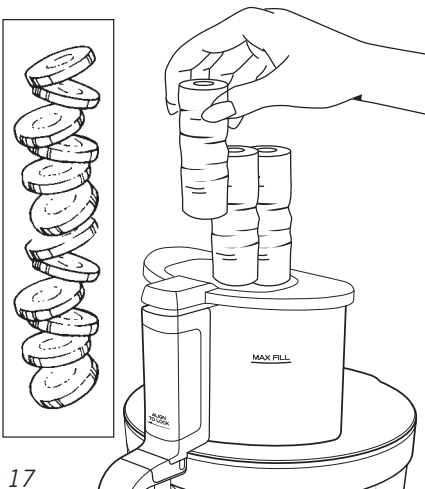


Fig 17

# Care and cleaning

When you have finished processing, unplug the food processor from the power outlet.

All accessories and processor tools can be washed in hot soapy water except for the processor body. Clean the processor body by wiping with a damp cloth.

**Warning:** Care must be taken when handling the metal blades as these items are extremely sharp.

**Note:** Always unplug the food processor before cleaning.

## Dishwasher Use

All plastic components deteriorate through the prolonged use of a dishwasher for cleaning.

We do not recommend placing any parts of the food processor in the dishwasher.

If using the dishwasher, place parts only on the top rack of your dishwasher. Do not place any parts in the bottom racks. This may cause plastic parts to distort due to the heating element in the dishwasher.

# Recipes - Pastry & Dough

## Basic White Loaf

Makes: 1 loaf

½ cup warm milk

¼ cup warm water

1 tablespoon caster sugar

1 teaspoon yeast

1 ¾ cups plain flour

60g butter, melted

1 teaspoon salt

1. In a small bowl combine milk, water, sugar and yeast. Allow to stand in a warm place until mixture begins to foam.
2. Using the processing bowl fitted with the universal 's' blade, add flour, butter, salt and yeast mixture. Process until dough forms a ball.
3. Turn dough out onto a lightly floured surface and knead gently.
4. Place dough into a greased bowl, cover and allow to rise in a warm place until doubled in size. This will take approximately 30-40 minutes.
5. Preheat oven to 180°C. Lightly grease a loaf pan.
6. Punch down the dough and place in loaf pan.
7. Bake for 30 minutes and until loaf sounds hollow when the base is tapped

## Pizza Dough

½ cup lukewarm milk

2 teaspoons yeast

1 teaspoon caster sugar

2 cups plain flour

2 teaspoons salt

1 egg

60g butter, melted

1. In a small bowl combine milk, yeast and sugar. Allow to stand in a warm place until mixture begins to foam.
2. Using the processing bowl fitted with universal 's' blade process flour, salt, egg and butter.
3. Add yeast mixture to the bowl and press auto pulse. Place dough onto a floured surface and knead gently until smooth.
4. Place in a greased bowl, cover and allow to rise in a warm place until doubled in size about 30-40 minutes.
5. Turn dough out of bowl and halve. Roll into two 26cm circles.



# Pastry & Dough continued

## Short Crust Pastry

2 cups plain flour

125g butter, room temperature

1 egg yolk

1 tablespoon iced water

1. Using the processing bowl fitted with the universal 's' blade process flour, butter, egg yolk and water until mixture forms a ball.
2. Knead pastry until smooth shaping into a disk. Wrap pastry in plastic wrap and refrigerate for 30 minutes before use.

## Sweet Short Crust Pastry

2 cups plain flour

½ cup icing sugar

125g butter, room temperature

2 egg yolks

1 tablespoon iced water

1. Using the processing bowl fitted with the universal 's' blade process flour, icing sugar, butter, egg yolks and water until mixture forms a ball.
2. Knead pastry until smooth then shape into a disk. Wrap pastry in plastic wrap and refrigerate for 30 minutes before use.

# Dips & Sauces

## Basil and Cashew Pesto

**Spread on a thick piece of bread for a quick snack.**

Makes: 2 cups

1 bunch fresh basil

1 bunch fresh flat-leaf parsley

1 clove garlic

1 ½ cups cashew nuts, roasted

1 cup baby spinach

⅓ cup olive oil

1 tablespoon lemon juice

Salt and freshly ground black pepper, to taste

1. Using the processing bowl fitted with the universal 's' blade process all ingredients until roughly chopped. Season to taste with salt and pepper.
2. Store in a clean, covered container in the refrigerator for up to one week.

## Hummus

Makes: 2 cups

2 400g cans chickpeas, drained, rinsed

1 clove garlic

⅓ cup olive oil

1 tablespoon lemon juice

1 tablespoon tahini

¼ cup water

Salt and freshly ground black pepper, to taste

1. Using the processing bowl fitted with the universal 's' blade process all ingredients, excluding water, until a smooth paste. With motor running slowly add water until desired consistency. Season to taste with salt and pepper.
2. Store in a clean, covered container in the refrigerator for up to one week.

**TIP:** Add a teaspoon of your favourite ground spice for a twist.

# Dips & Sauces continued

## Roasted Beetroot Dip

Makes: 3 cups

3 large beetroot

1 clove garlic

2 tablespoons olive oil

1 tablespoon lemon juice

½ teaspoon ground coriander

½ teaspoon ground cumin

Salt and freshly ground black pepper, to taste

1. Preheat oven to 180°C.
2. Place whole beetroot in the middle of a square of tinfoil with garlic and half of the olive oil. Bring edges of tinfoil together to form a parcel. Place in oven and bake for 30-40 minutes or until beetroot are tender.
3. Once beetroot have cooled, rub the skin off and cut in half.
4. Place all ingredients into the processing bowl fitted with the universal 's' blade. Process until smooth. Season to taste with salt and pepper.
5. Store in a clean, covered container in the refrigerator for up to one week.

## Mayonnaise

Makes: 2 cups

4 egg yolks

1 tablespoon white wine vinegar

2 teaspoons Dijon mustard

2 ¼ cups vegetable oil

Salt and freshly ground black pepper, to taste

1. Using the processing bowl fitted with the universal 's' blade process egg yolks, vinegar and mustard until combined.
2. With the motor running slowing add the oil in a slow stream. Season to taste with salt and pepper.
3. Store in a clean, covered container in the refrigerator for up to one week.

### Variations:

- Garlic Mayonnaise- Preheat oven to 180C. Wrap a head of garlic in tinfoil. Place in oven and bake for 30-40 minutes or until garlic is tender. Squeeze out the garlic cloves from the skin and add to finished mayonnaise. Press pulse. Season to taste with salt and pepper
- Cheats Tartar Sauce - To the completed mayonnaise add 4 medium gherkins, ½ small red onion, ¼ cup capers, ¼ cup fresh flat-leaf parsley and 2 tablespoons lemon juice. Using the auto pulse button allow to run one cycle. Season to taste with salt and pepper.
- Herbed Mayonnaise add - To the completed mayonnaise add 1 tablespoon lemon juice, 2 teaspoons fresh chives, 2 teaspoons fresh dill and 2 teaspoons fresh flat leaf parsley. Press pulse. Season to taste with salt and pepper.

# Salads

## Shaved Fennel Salad

Serves: 3-4

2 small fennel bulbs

2 large zucchinis

1/3 cup lemon juice

1/3 cup olive oil

1/4 cup fresh dill, roughly chopped

1 tablespoon honey

200g baby rocket

1/2 cup pine nuts, roasted

150g feta cheese, crumbled

Salt and freshly ground black pepper, to taste

1. Using the processing bowl fitted with the variable slicing blade set to 3mm, process the fennel. Set aside.
2. Using the processing bowl fitted with the julienne blade, slice the zucchini into threads. Set aside.
3. In a small bowl combine dill, lemon juice, oil and honey. Season to taste with salt and pepper.
4. In a large bowl combine remaining ingredients. Pour over dressing and toss to combine.

## Smoked Salmon Salad

**This salad is great for an afternoon snack!**

Serves: 2

1 English cucumber

1 bunch radishes

1 red onion

1/4 cup olive oil

2 tablespoons freshly chopped dill

2 tablespoons lemon juice

1 teaspoon honey

250g smoked salmon

Salt and freshly ground black pepper, to taste

1. Using the processing bowl fitted with the variable slicing blade to 3mm, process the cucumber lengthways to form thin long slices. Repeat with radishes and red onion. In a large bowl toss cucumber, radish and red onion.
2. In a small bowl combine oil, dill, lemon juice and honey. Season to taste with salt and pepper.
3. Add salmon, pour over dressing and toss to combine. Serve.

# Mains/Sides/Soups

## Vegetarian Lasagne

Serves: 8-10

Olive oil spray

2 eggplants

2 large zucchinis

2 medium sweet potatoes, peeled

1 large red onion

1 red capsicum, deseeded

½ cup semi dried tomatoes

¼ cup fresh basil, chopped

800g can crushed tomatoes

50g butter

¼ cup plain flour

3 cups milk

200g mozzarella cheese grated

50g parmesan cheese grated

4 fresh lasagne sheets

Salt and freshly ground black pepper, to taste

1. Preheat oven to 200°C. Grease 2 baking trays with oil spray.
2. Using the variable slicing blade to 4mm, process eggplant lengthways in the large chute to form thin long slices. Repeat this process with zucchini, sweet potato and red onion.
3. Spread sliced vegetables over baking trays and bake for 20-25 minutes or until golden and tender.
4. Using the processing bowl fitted with the universal 's' blade process capsicum, semi dried tomatoes, basil and crushed tomatoes until a smooth paste. Season to taste with salt and pepper.

5. In a medium saucepan melt butter.

Whisking add flour to form a paste.

Slowly add milk, stirring constantly to prevent lumps forming. Cook until sauce has thickened. Remove from heat and stir through mozzarella.

6. In a greased baking dish layer roasted vegetables, tomato sauce, white sauce and lasagne sheets. Repeat. Top with a layer of white sauce and parmesan cheese.
7. Place in oven and bake for 20-30 minutes or until cheese is melted and lasagne sheets are cooked.

**TIP:** This lasagne can be frozen and reheated.

## Mains/Sides/Soups continued

### Herb Crusted Chicken

Serves: 4-6

10 slices white bread

1 clove garlic

1 tablespoon fresh chives

1 tablespoon fresh flat leaf parsley

2cm piece lemon rind

8 chicken thigh fillets

2 cups plain flour

4 eggs, lightly beaten

¼ cup vegetable oil

Salt and freshly ground black pepper, to taste

1. Using the processing bowl fitted with the universal 's' blade process bread, garlic, chives, parsley and lemon until all ingredients are finely chopped. Season to taste with salt and pepper.
2. Dip chicken fillets in flour, egg and breadcrumb mixture. Repeat. Refrigerate for 10 minutes.
3. Heat oil in a large frypan over medium heat. Add chicken in batches and cook for 4-5 minutes on each side or until golden brown and cooked. Serve immediately.

**TIP:** This chicken is great in sandwiches.

### Roasted Pumpkin and Sweet Potato Soup

Makes: 8 cups

2 onions

500g carrot, peeled

500g sweet potato, peeled

2 tablespoons vegetable oil

2 cloves garlic

2 teaspoons ground cumin

1 teaspoon ground coriander

5 cups chicken stock

400g can chickpeas, drained, rinsed

1 tablespoon lemon juice

Salt and freshly ground black pepper, to taste

1. Using the bowl fitted with the variable slicing blade set to 3mm slice onion, carrot and potato.
2. Heat oil in a medium pot over medium heat. Add onion, carrot, potato and garlic cooking for 10-15 minutes or until softened.
3. Add spices and cook for 1-2 minutes or until fragrant. Add stock and chickpeas and simmer for 30 minutes or until vegetables are tender. Set aside to cool.
4. Using the bowl fitted with large universal 's' blade process cooled soup in batches until smooth. Add lemon. Reheat soup before serving. Season to taste with salt and pepper.

## Mains/Sides/Soups continued

### **Caramelized Onion, Olive and Goats Cheese Tart**

Makes: 1 tart

- 1 recipe short crust pastry
- 1 tablespoon olive oil
- 4 onions
- 1 tablespoon balsamic vinegar
- 2 eggs
- ½ cup milk
- ½ cup thickened cream
- 150g goat's cheese
- Salt and freshly ground black pepper, to taste

1. Preheat oven to 180C. Grease a 23cm tart tin.
2. Roll pastry out into a 26cm circle and gently place in tart tin. Cover with baking paper and fill with uncooked rice. Bake for 10 minutes. Remove baking paper and cook for a further 10 minutes or until base is golden.
3. Using the processing bowl fitted with the variable slicing blade set to 3mm thick and slice onions.
4. Heat oil in a medium saucepan over medium heat. Add onion and vinegar, cooking for 10-15 minutes or until caramelized.
5. In a small bowl combine eggs, milk and cream. Season to taste with salt and pepper.
6. Spread onion and cheese evenly over the pastry. Pour over cream mixture.
7. Bake for 20-25 minutes or until cooked. Serve hot or cold.

### **Fish Cakes**

Makes: 10

- 1kg Sebago potatoes, peeled, chopped
- 600g salmon fillet, skinned, deboned
- 6 long green onions
- 2 tablespoons fresh dill
- 1 ½ teaspoons lemon rind
- ½ cup plain flour
- 1 egg
- 2 cups panko bread crumbs
- Salt and freshly ground black pepper, to taste
- Vegetable oil, for frying

1. Place potatoes in a medium pot and cover with water. Cook for 15-20 minutes or until cooked. Drain and lightly mash.
2. Using the processing bowl fitted with the universal 's' blade process salmon, green onions, dill and lemon until a chunky paste has formed.
3. Combine salmon mixture and potatoes. Season to taste with salt and pepper.
4. Form salmon mixture into ½ cup patties. Refrigerate for 10 minutes.
5. Dip salmon cakes into flour, egg then panko breadcrumbs. Repeat.
6. Heat 1cm of oil in a large frypan over medium heat. Cook salmon cakes in batches for 3-4 minutes on each side or until cooked and golden brown. Serve hot with tartare sauce.

## Mains/Sides/Soups continued

### Oven Baked Hot Chips

Serves: 3-4

- 1.5kg coliban potatoes, washed
- ¼ cup vegetable oil
- 2 tablespoons chopped fresh rosemary
- 1 tablespoon sea salt
- Salt and freshly ground black pepper, to taste

1. Preheat oven to 180°C. Line a baking tray with baking paper.
2. Using the processing bowl fitted with the variable slicing blade set to 3mm and slice potatoes.
3. Toss potatoes with oil, rosemary and salt. Spread out over baking tray and bake for 30-40 minutes, stirring occasionally, or until golden and tender. Serve hot.

### Chorizo and Basil Pizza

Makes: 2 pizzas

- 1 basic pizza dough, rolled into 2 26cm circles
- 1 cup tomato sauce
- 200g mozzarella
- 2 chorizo sausages
- 1 bunch fresh basil
- ¼ cup pine nuts, roasted
- 1 clove garlic
- ¼ cup olive oil
- Salt and freshly ground black pepper, to taste
- Fresh basil leaves, for garnish

1. Preheat oven to 200°C. Line two baking trays with baking paper. Place pizza bases on prepared trays.
2. Using the processing bowl fitted with the variable slicing blade set to 2mm slice mozzarella and chorizo.
3. Spread tomato sauce over pizza bases. Top with chorizo and mozzarella. Place in oven and bake for 15-20 minutes or until the bases are cooked and the cheese has melted.
4. In a cleaned processing bowl fitted with the universal 's' blade add the remaining ingredients and pulse until a chunky paste. Season to taste with salt and pepper.
5. Dollop pesto over the cooked pizzas and top with fresh basil leaves.



# Sweets and Desserts

## White Chocolate and Raspberry Cheesecake

Serves: 8-10

- 200g digestive biscuits
  - 80g butter, melted
  - 500g cream cheese, room temperature
  - 180g white chocolate, melted
  - 1 cup thickened cream
  - $\frac{2}{3}$  cup icing sugar
  - $\frac{1}{4}$  cup boiling water
  - 2 teaspoons powdered gelatine
  - $\frac{1}{2}$  cup frozen raspberries
  - 100g white chocolate
  - 2 cups frozen raspberries, thawed
1. Line a 23cm spring form pan with baking paper.
  2. Using the processing bowl fitted with the universal 's' blade process biscuits and butter until fine. Press into the base of the prepared pan.
  3. Using the processing bowl fitted with the universal's' blade, process cream cheese, chocolate, cream and icing sugar until well combined.
  4. Add gelatine to hot water, stir to combine. Add to the cream cheese mixture and process.
  5. Pour into the prepared pan and dot the top with the frozen raspberries, pushing some down into the mixture. Refrigerate for 3 hours or until set.
  6. Using processing bowl fitted with the shaving blade process chocolate to form long shards.
  7. Remove cheesecake from pan once chilled. Top with raspberries and white chocolate shards.

## Buttermilk Pancakes

Serves: 3-4

- 1 cup buttermilk
  - 1 cup self raising flour
  - 2 tablespoons caster sugar
  - $\frac{1}{2}$  teaspoon bicarbonate of soda
  - 1 egg, lightly beaten
  - 60g butter, melted
  - Butter, for cooking
1. Using the processing bowl with the universal 's' blade add all ingredients and process or 1 minute or until a smooth batter.
  2. Heat butter in a large non-stick pan over medium heat. Add  $\frac{1}{4}$  cup of batter to the pan and cook for 2-3 minutes on each side or until golden brown and cooked. Repeat. Serve hot with lemon curd.

## Sweets and Desserts continued

### Basic Butter Cake

Serves: 8-10

185g butter, room temperature

1 cup caster sugar

½ teaspoon vanilla essence

3 eggs

2 cups self-raising flour

¼ cup milk

1. Preheat oven to 180°C. Grease and line a 23cm cake pan.
2. Using the processing bowl fitted with the universal 's' blade, process butter, sugar and vanilla until well combined. Scraping down the sides of the bowl if necessary.
3. Add eggs to the mixture and process until combined. Add the flour and milk and continue to process until just combined.
4. Pour mixture into a prepared cake pan. Bake for 40-50 minutes or until cooked.
5. Allow to cool in the pan before turning onto a wire rack.

### Super Moist Chocolate Cake

Serves: 8-10

200g dark chocolate

175g butter, room temperature

⅔ cup brown sugar

100g blanched almonds

½ cup cocoa powder

4 eggs

1 cup self raising flour

100g milk chocolate chips

1. Preheat oven to 160°C. Grease and line a 22cm cake pan with baking paper.
2. Using the processing bowl fitted with the universal 's' blade process dark chocolate, butter, sugar, almonds and cocoa until smooth.
3. Add eggs one at a time, making sure to mix well after each addition. Add remaining ingredients and process until smooth.
4. Pour mixture into the prepared pan and bake for 45-45 minutes or until cooked. Allow to cool in pan for 10 minutes before turning out onto a wire rack.

## Sweets and Desserts continued

### **Banana Cake with Cream Cheese Icing**

Serves: 8-10

160g butter, melted

1 ½ cups mashed banana

1 cup caster sugar

¾ cup sour cream

½ cup brown sugar

2 eggs

1 ½ cups plain flour

2 teaspoons baking powder

1 teaspoon salt

½ teaspoon baking soda

1. Preheat oven to 180°C. Grease and line a 20cm cake pan with baking paper.
2. Using the processing bowl fitted with the universal 's' blade process butter, banana, sour cream, sugars and eggs until smooth.
3. Add remaining ingredients and pulse until just combined.
4. Pour into prepared pan and bake for 50-55 minutes or until golden and cooked. Allow to cool in the pan for 10 minutes before turning out onto a wire rack.
5. Once the cake has cooled, spread the sides and top of the cake with cream cheese icing.

### **Cream Cheese Icing**

Makes: 3 cups

500g cream cheese, room temperature

100g butter, room temperature

2 teaspoons vanilla essence

1 ½ cups icing sugar

1. Using the processing bowl fitted with the universal 's' blade process cream cheese, butter and vanilla. Gradually add the icing sugar. Process until smooth.
2. This icing can be refrigerated in a clean airtight container for up to one week.

## Sweets and Desserts continued

### Chocolate Chip Cookies

Makes: 24

125g butter, room temperature

½ cup brown sugar

½ cup caster sugar

½ teaspoon vanilla essence

1 egg

1¾ cups self-raising flour

1 cup milk chocolate chips

½ cup white chocolate chips

¼ teaspoon salt

1. Preheat oven to 180°C and grease oven trays.
2. Using the processing bowl fitted with the universal 's' blade process butter, sugars and vanilla until well combined. Scraping down sides of the bowl if necessary.
3. Add egg to the mixture and continue to process until mixed. Add flour, chocolate chips and salt processing until just combined.
4. With a tablespoon, form mixture into small balls and place onto tray, allowing room for spreading.
5. Bake for 15 minutes or until cooked. Allow to cool on trays.

### Lime and Mint Granita

Makes: 4-6

4 lemons

¼ cup fresh mint leaves

4 cups water

¼ cup caster sugar

Fresh mint, to serve.

1. Peel lemons and remove any excess pith.
2. Using the processing bowl fitted with the universal 's' blade process the lemon and mint until smooth. Allow to sit for 10 minutes.
3. Strain the lemon mixture and heat in a small saucepan with water and sugar. Stir until sugar has dissolved.
4. Pour the mixture into a baking dish. Freeze for 1 hour, remove mixture and scrape with two forks to break up the ice. Repeat this process every 2 – 3 hours until ice shards have formed.  
Serve in glasses with a sprig of fresh mint.

# Notes

# Notes

# 12 Month Replacement Guarantee

In the unlikely event that this appliance develops any malfunction within 12 months of purchase (3 months commercial use) due to faulty materials or manufacture, we will replace it for you free of charge.

Should you experience any difficulties with your appliance, please phone our customer service line for advice on 1300 881 861 in Australia, or 0800 786 232 in New Zealand. Alternatively, you can send a written claim to Sunbeam at the address listed below. On receipt of your claim, Sunbeam will seek to resolve your difficulties or, if the appliance is defective, advise you on how to obtain a replacement or refund.

Your Sunbeam 12 Month Replacement Guarantee naturally does not cover misuse or negligent handling and normal wear and tear.

Similarly your 12 Month Replacement Guarantee does not cover freight or any other costs incurred in making a claim. Please retain your receipt as proof of purchase.

The benefits given to you by this guarantee are in addition to your other rights and remedies under any laws which relate to the appliance.

Our goods come with guarantees that cannot be excluded under the Australian Consumer Law and under the New Zealand Consumer Guarantees Act.

In Australia you are entitled to a replacement or refund for a major failure and for compensation for any other reasonably foreseeable loss or damage. You are also entitled to have the goods repaired or replaced if the goods fail to be of acceptable quality and the failure does not amount to a major failure.

Should your appliance require repair or service after the guarantee period, contact your nearest Sunbeam service centre.

For a complete list of Sunbeam's authorised service centres visit our website or call:

## **Australia**

[www.sunbeam.com.au](http://www.sunbeam.com.au)

**1300 881 861**

Units 5 & 6, 13 Lord Street  
Botany NSW 2019 Australia

## **New Zealand**

[www.sunbeam.co.nz](http://www.sunbeam.co.nz)

**0800 786 232**

26 Vestey Drive, Mt Wellington  
Auckland, New Zealand

## Need help with your appliance?

Contact our customer service team or visit our website for information and tips on getting the most from your appliance.

### **In Australia**


Visit [www.sunbeam.com.au](http://www.sunbeam.com.au)

Or call 1300 881 861

### **In New Zealand**

Visit [www.sunbeam.co.nz](http://www.sunbeam.co.nz)

Or call 0800 786 232

 is a registered trademark.

'Food Processor' is a trademark of Sunbeam Corporation.

Made in China.

Due to minor changes in design or otherwise, the product may differ from the one shown in this leaflet.

© Copyright. Sunbeam Corporation Limited 2012.

ABN 45 000 006 771

Units 5 & 6, 13 Lord Street  
Botany NSW 2019 Australia

Unit 3, Building D  
26 Vestey Drive  
Mt Wellington Auckland  
New Zealand

Sunbeam Corporation is a division of GUD Holdings Ltd.



## Free Manuals Download Website

<http://myh66.com>

<http://usermanuals.us>

<http://www.somanuals.com>

<http://www.4manuals.cc>

<http://www.manual-lib.com>

<http://www.404manual.com>

<http://www.luxmanual.com>

<http://aubethermostatmanual.com>

Golf course search by state

<http://golfingnear.com>

Email search by domain

<http://emailbydomain.com>

Auto manuals search

<http://auto.somanuals.com>

TV manuals search

<http://tv.somanuals.com>