



Linea

Balanced Flue Convectur Fire

Instructions for Use, Installation and Servicing

For use in GB, IE (Great Britain and Eire)

This appliance has been certified for use in countries other than those stated. To install this appliance in these countries, it is essential to obtain the translated instructions and in some cases the appliance will require modification. Contact Gazco for further information.

IMPORTANT

Do not attempt to burn rubbish in this appliance. This appliance must only be operated with the glass door secured firmly in position. The front casing of this appliance will become hot whilst in operation, it is therefore recommended that a suitable guard should be used for the protection of young children, the elderly or infirm.

**Please read these Instructions carefully before installation or use.
Keep them in a safe place for future reference and when servicing the fire.**

The commissioning sheet found at the end of the Users Sections of these instructions should be completed by the Installer.

PR0731 Issue 8 (September 2006)

CONTENTS

COVERING THE FOLLOWING MODELS

8651 P8651

	PAGE
APPLIANCE COMMISSIONING CHECKLIST	3
USER INSTRUCTIONS	4
INSTALLATION INSTRUCTIONS	8
Technical Specifications	8
Site Requirements	9
Installation	12
Commissioning	14
SERVICING INSTRUCTIONS	15
Servicing Requirements	15
Fault Finding	15
How to replace parts	17
Basic spare parts list	23
Service Record	24

APPLIANCE COMMISSIONING CHECKLIST

IMPORTANT NOTICE

Explain the operation of the appliance to the end user, hand the completed instructions to them for safe keeping, as the information will be required when making any guaranteed claims.

FLUE CHECK	PASS	FAIL
1. Flue is correct for appliance		
2. Flue flow test N/A		
3. Spillage test N/A		
GAS CHECK		
1. Gas soundness & let by test		
2. Standing pressure test	mb	
3. Appliance working pressure (on High Setting) NB All other gas appliances must be operating on full	mb	
4. Gas rate	m ³ /h	
5. Does ventilation meet appliance requirements N/A		
6. Has the remote hand set been tuned to the control box	YES	NO

DEALER AND INSTALLER INFORMATION

Dealer.....

Installation Company.....

.....

.....

.....

.....

Contact No.

Engineer

Date of Purchase.....

Contact No.....

Model No.....

Corgi Reg No.....

Serial No.....

Date of Installation.....

Gas Type.....

This product is guaranteed for 2 years from the date of installation, as set out in the terms and conditions of sale between Gazco and your local Gazco dealer. **This guarantee will be invalid, to the extent permitted by law, if the above Appliance Commissioning Checklist is not fully completed by the installer and available for inspection by a Gazco engineer.** The guarantee will only be valid during the second year, to the extent permitted by law, if the annual service recommended in the Instructions for Use has been completed by a Corgi registered engineer, and a copy of the service visit report is available for inspection by a Gazco engineer.

USER INSTRUCTIONS

1. GENERAL

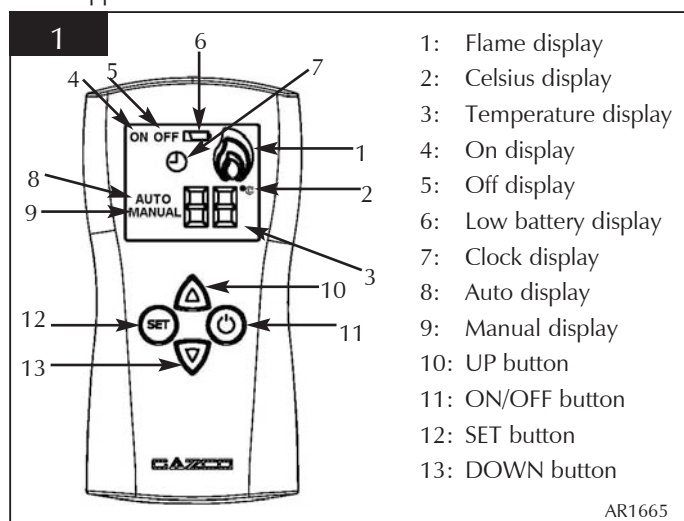
- 1.1 A competent person must carry out installation and servicing.
- 1.2 In all correspondence, please quote the appliance type and serial number, which can be found on the data badge located on a plate under the control valve.
- 1.3 Ensure that curtains are not positioned above the appliance and there is at least 300mm between the sides of the appliance and any curtains.
- 1.4 If any cracks appear in the glass panel do not use the appliance until the panel has been replaced.
- 1.5 If, for any reason, the flue has to be removed from the appliance, the seals must be replaced in the inner spigot.
- 1.6 Do not obstruct the flue terminal in any way, i.e. by planting flowers, trees, shrubs etc in the near vicinity, or by leaning objects up against the terminal guard.
- 1.7 Do not use a garden sprinkler or hose near the terminal.
- 1.8 Do not stand or place objects on the terminal guard as this will deform it.

This product is guaranteed for 2 years from the date of installation, as set out in the terms and conditions of sale between Gazco and your local Gazco dealer. Please consult with your local Gazco dealer if you have any questions. In all correspondence always quote the Model Number and Serial Number.

2. LIGHTING THE LINEA WITH HAND SET

2.1 To ignite the Linea

The Gazco Linea has a fully automatic battery operated gas control which can be lit using the hand set or touch pad. The touch pad is located on the lower left hand side of the appliance.



- 2.1.1 Before the Linea can be lit the remote control must be in the manual mode. See diagram 1. Refer to section 2.6 to change to manual mode.

- 2.1.2 Press the ON / OFF button (11). The word ON appears in the display (4).
- 2.1.3 Press the SET button (12). The pilot light should now light. This should take about 10 seconds.
If the pilot fails to light press the ON / OFF button (11) and then the SET button (12) then repeat the above sequence.
- 2.1.4 A single flame will appear on the display (1). When this has stopped flashing, an audible click is heard. You are now ready to adjust the flame height.

IF THE FIRE IS EXTINGUISHED OR GOES OUT IN USE, WAIT 3 MINUTES BEFORE ATTEMPTING TO RELIGHT THE FIRE. THE CONTROL VALVE HAS AN INTERLOCK DEVICE AND THEREFORE CANNOT BE LIT UNTIL THE 3 MINUTES HAVE ELAPSED.

2.2 To adjust the flame height

Once the pilot has been lit the main burner can be lit and adjusted.

- 2.2.1 Press the (▲) UP button (10). The flame symbol (1) will show one extra flame. This is to indicate the burner is on its lowest position.
- 2.2.2 Press the same button again and the burner will be in the medium position.
- 2.2.3 Press the button again and the burner will be in the maximum position.
- 2.2.4 Press the (▼) DOWN button (13) one step at a time and this will reduce the burner from maximum to medium then to minimum.
- 2.2.5 If the (▼) DOWN button is pressed once more, only the pilot will remain alight.

2.3 To turn the Linea off

The Linea can be turned off with the flames in any position, ie minimum, medium or maximum. It can also be turned off from the pilot only position.

- 2.3.1 Press the ON / OFF button (11) the word OFF appears in the display.
- 2.3.2 Press the SET button (12) and the fire will turn off.
NOTE: The pilot can be left on if so desired

2.4 To change from Manual to Automatic mode

- 2.4.1 The hand set display will show the word MANUAL (8)
- 2.4.2 Press the SET button (12) once and the word AUTO will flash.
- 2.4.3 Press the SET button (12) again and the word AUTO will stop flashing.
- 2.4.4 The room temperature display is now flashing and ready to be set.

USER INSTRUCTIONS

2.5 To set the room temperature

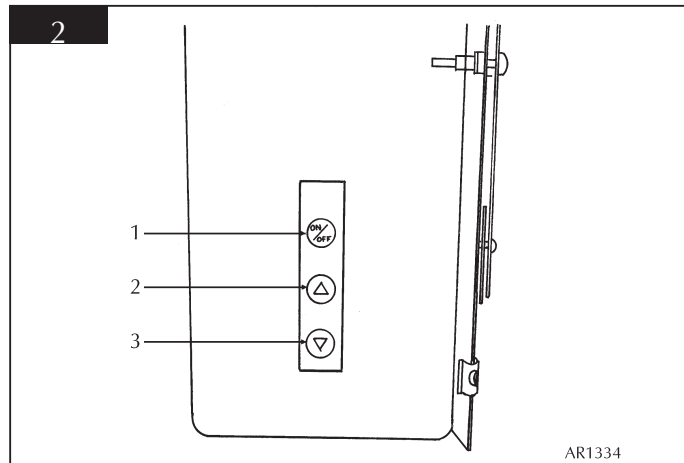
- 2.5.1 Following on from section 2.4, once the room temperature is flashing on the display, it can be set.
- 2.5.2 Press either the (▲) button (10) or the (▼) button (13) to either increase or decrease the temperature.
- 2.5.3 Press the SET button (12) once you have set the temperature as desired.
If the SET button (12) is not pushed the temperature display will stop flashing and remain unchanged.

2.6 To change from Automatic to Manual mode.

- 2.6.1 The hand set display will show AUTO (8).
- 2.6.2 Press the SET button (12) once and the word MANUAL will flash.
- 2.6.3 Press the SET button (12) again and the word MANUAL will stop flashing.
You are now in Manual mode.

2.7 Low battery display (Hand Set)

The low battery symbol (6) will appear on the hand set when the batteries require replacement.



2.8 Lighting the Linea (Touch Pad)

- 2.8.1 Press the ON / OFF button (1) once and the red LED will flash. The pilot will now light. This should take about 10 seconds.
If the pilot does not light press the ON / OFF button (1) again to reset the control unit and repeat step 1 above.
Before the burner can be lit wait for the audible click.

2.9 To adjust the flame height (Touch Pad)

- 2.9.1 Once the pilot has lit press the (▲) button (2) and the burner will light.
- 2.9.2 Press either of the (▼ ▲) buttons (2/3) to adjust the height of the flames.

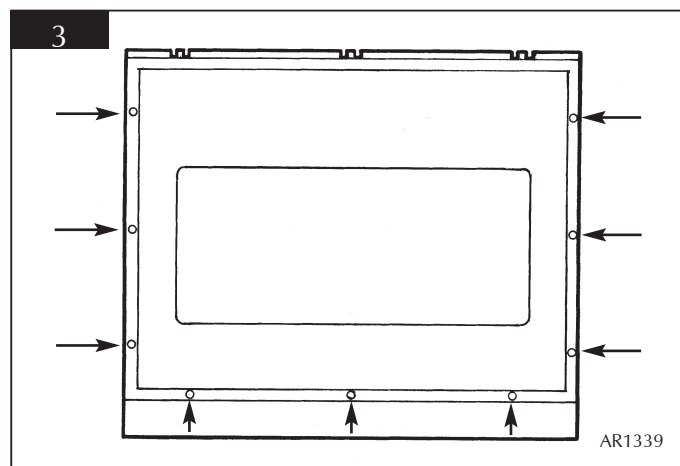
2.10 To turn the Linea off (Touch Pad)

- 2.10.1 Press the ON / OFF button (1) once and the Linea will turn off.

3. CLEANING THE LINEA

ENSURE THE APPLIANCE IS COLD BEFORE PROCEEDING.

- 3.1 The outside casing of the Linea should be cleaned using a damp cloth.
- 3.2 To clean the glass panel, remove the decorative front as detailed in the instructions supplied with front.
- 3.3 Remove the glass panel by unscrewing the nine pozidrive screws. See diagram 3



- 3.4 Use a damp cloth and warm soapy water. Ensure the glass is dry before re-assembling.
- 3.5 Ensure that the fibreglass seal on the firebox is intact then hook the location tabs over the hooks on the top of the firebox. Replace the nine screws working from the top down, three long ones in the bottom holes. Tighten the screws evenly.
NEVER OPERATE THE APPLIANCE WHEN THE GLASS PANEL IS REMOVED OR BROKEN.

USER INSTRUCTION

4. FLAME FAILURE DEVICE

- 4.1 This is a safety feature incorporated on this appliance which automatically switches off the gas supply if the pilot goes out and fails to heat the thermocouple.

5. RUNNING IN

- 5.1 The surface coating on the ceramic panel used in your GAZCO fire will "burn off" during the first few hours of use producing a harmless and temporary odour. This will disappear after a short period of use. If the odour persists, ask your installer for advice.

6. SERVICING

- 6.1 The fire must be serviced every 12 months by a qualified Gas Engineer. In all correspondence always quote the Model number and the Serial number which may be found on the data badge.

7. VENTILATION

- 7.1 This appliance requires no additional ventilation.

8. INSTALLATION DETAILS

- 8.1 To assist in any future correspondence, your installer should have completed the commissioning sheet at the front of this book, this records the essential installation details of the appliance. In all correspondence always quote the Model number and Serial number.

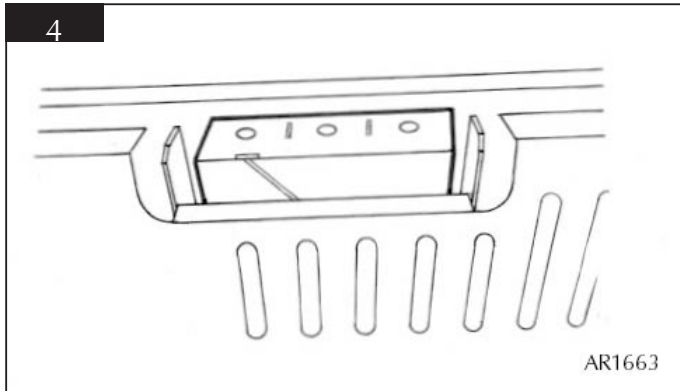
9. HOT SURFACES

- 9.1 Parts of this appliance become hot during normal use. It is therefore recommended that a suitable fire guard be used for protection of young children and the infirm. Indeed, all parts of the appliance should be treated as a 'working surface' except for the control touch pad area and access panel (Designio version only).

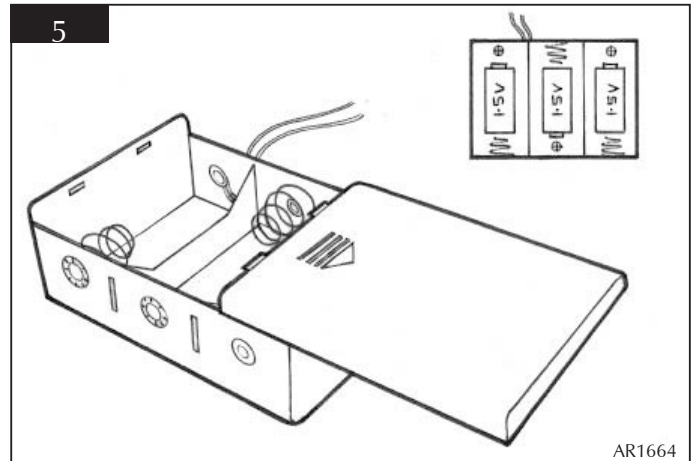
USER INSTRUCTION

10. BATTERY REPLACEMENT

- 10.1 If the Linea is fitted with a Designio front, access to the batteries can be achieved by simply dropping the lower front access cover.
- 10.2 If the Linea is fitted with a Plano or Vetro front, access to the batteries can be achieved through the access hole in the casing below the unit. See diagram 4.



- 10.3 Remove the top from the plastic battery compartment by gently depressing the top in the area with the indication arrow and then sliding off in the direction of the arrow. See diagram 5.
- 10.4 Replace the batteries with three "C" size cells ensuring they are in the correct orientation as shown in the diagram in the base of the plastic battery holder.
- 10.5 Replace the top of the battery holder and push back into its location.



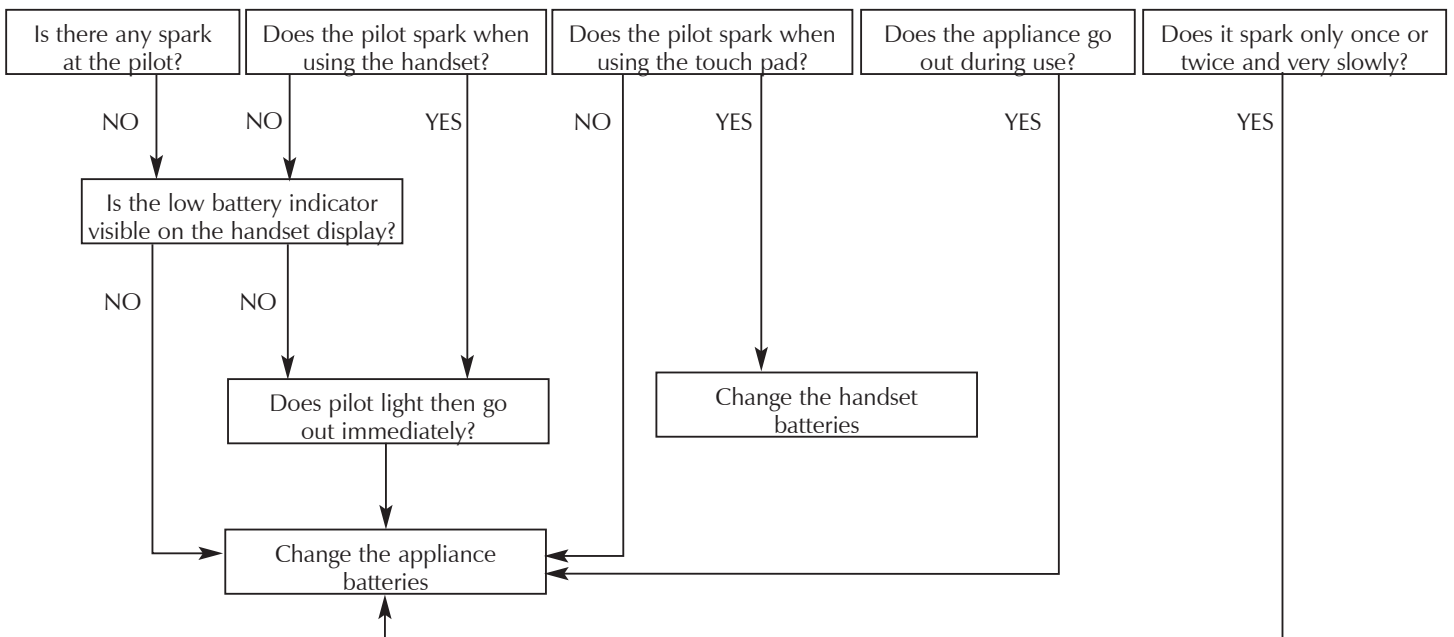
INSUFFICIENT BATTERY POWER

The Copreci control system used on this appliance has a built-in safety feature which will prevent the appliance from lighting if there is insufficient battery power. This feature will also act to turn the appliance off if the battery power falls below a safe level.

When the battery power falls to a low level, this is indicated by 10 audible beeps and 10 continuous flashes on the touchpad LED indicator. This will occur when the ignition is activated and the batteries should be replaced.

If the appliance will not light, please check the touchpad for this warning before proceeding further. You may notice a noise from the control valve when attempting to light the appliance under these conditions. This is normal and should not cause concern.

FIRE WILL NOT LIGHT



INSTALLATION INSTRUCTIONS

TECHNICAL SPECIFICATION

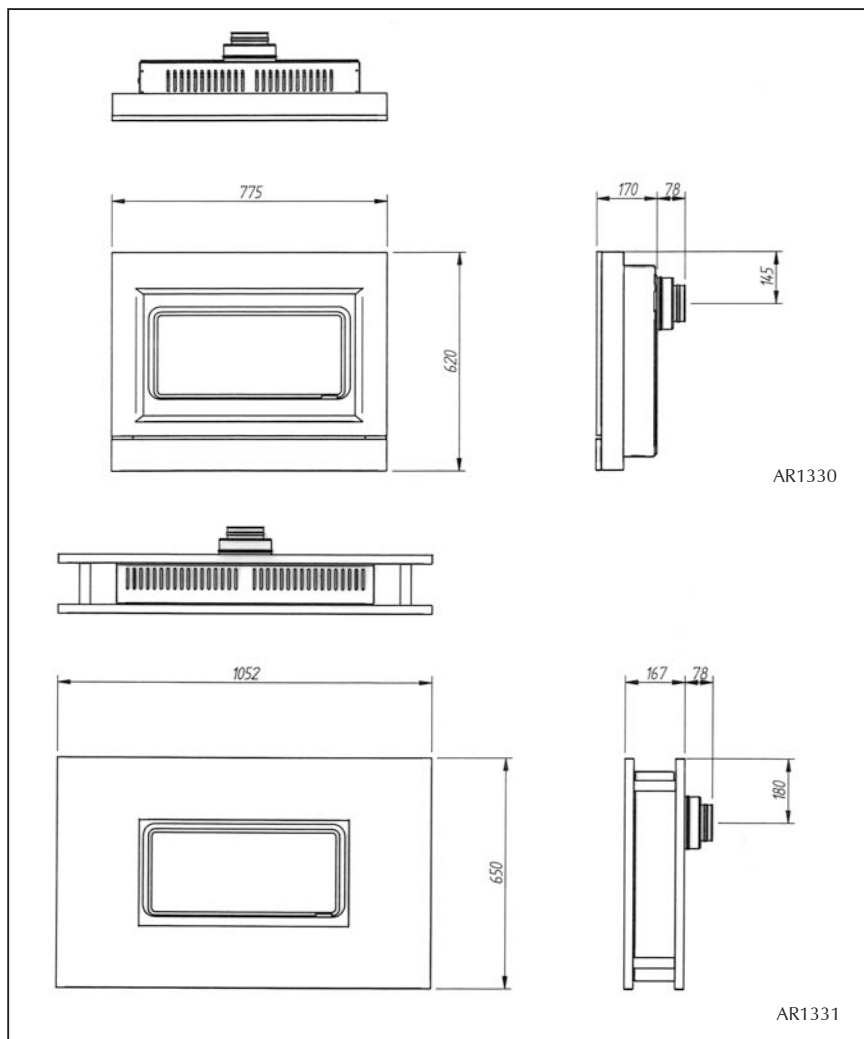
COVERING THE FOLLOWING MODELS

8651 P8651

Model	Gas CAT.	Gas Type	Working Pressure	Aeration	Injector	Gas Rate m ³ /h	Input kW (Gross)		Nox Class	Country
							High	Low		
Linea NG	I ^{2H}	Natural (G20)	20mbar	2 x 8mm	1.7	0.50	5.25	3.5	4	GB, IE
Linea LPG	I ^{3P}	Propane (G31)	37mbar	1 x 7.5mm 2 x 10mm	1.2	0.20	5.25	3.5	4	GB, IE
Efficiency Class I										
Flue Outlet Size 100 Ø / 152mm Ø										
Gas Inlet Connection Size 8mm Ø										
Wall Thickness - Minimum = 100mm (4") Maximum = 500mm										
Linea Replacement Batteries - 3 x 'C' Cells										
Handset Replacement Batteries - 3 x 'AAA' Cells										

PACKING CHECKLIST

Qty	Description
1	Linea assembly including fixing bracket
1	Flue Pipe
1	Terminal Guard
1	Remote Hand Set
1	Terminal Guard Fixing Kit Containing: 4 Wood Screws 1 1/4" 4 Red Rawlplugs
1	Linea Fixing Kit Containing: 4 Wood Screws 2 1/2" 4 Brown Rawlplugs 1 Aluminium Tape 1 Sealing Ring 3 'C' Cell Batteries 3 'AAA' Batteries
1	Instruction Manual



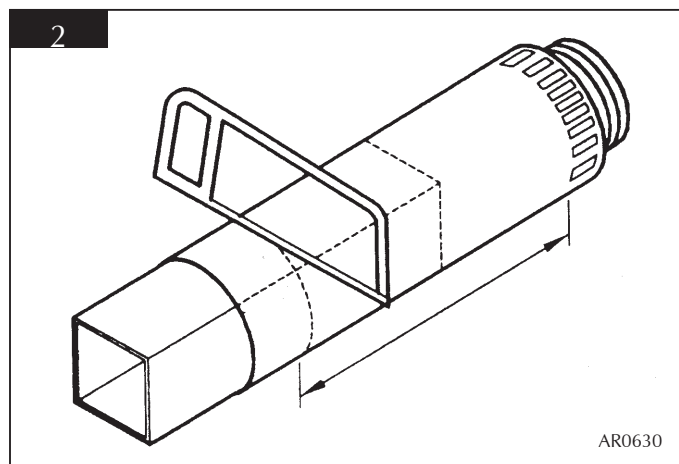
INSTALLATION INSTRUCTIONS

SITE REQUIREMENTS

1. FLUE AND CHIMNEY REQUIREMENTS

NOTE: This appliance can only be installed in conjunction with the flue supplied.

- 1.1 The flue must be sited in accordance with BS5440: Part 1 (latest edition). See diagram 1.
- 1.2 Any terminal which is less than 2 metres above any access (level ground, balcony or above a flat roof to which people have access) is to be fitted with a guard.
- 1.3 The flue must be securely fixed and fire precautions followed in accordance with local and national codes of practice.
- 1.4 The horizontal terminal can be reduced in size. See diagram 2.



AR0630

1

Dimension	Terminal position	Minimum Distance
A*	Directly below an opening, air brick, opening windows, etc.	600mm
B*	Above an opening, air brick, opening windows, etc.	300mm
C*	Horizontally to an opening, air brick, opening windows etc.	400mm
D	Below gutters, soil pipes or drain pipe	300mm
E	Below eaves	300mm
F	Below balconies or car port roof	600mm
G	From a vertical drain pipe or soil pipe	300mm
H	From an internal or external corner	600mm
I	Above group roof or balcony level	300mm
J	From a surface facing the terminal (also see 6.1.2)	600mm
K	From a terminal facing the terminal	600mm
L	From an opening in the car port (e.g. door, window) into the dwelling	1200mm
M	Vertically from a terminal on the same wall	1500mm
N	Horizontally from a terminal on the same wall	300mm
O	From the wall on which the terminal is mounted	N/A
P	From a vertical structure on the roof	600mm
Q	Above intersection with roof	300mm

* In addition, the terminal should not be nearer than 300mm to an opening in the building fabric formed for the purpose of accommodating a built-in element such as a window frame

AR0602

INSTALLATION INSTRUCTIONS

SITE REQUIREMENTS

TIMBER FRAMED BUILDINGS

- 1.5 It will be necessary to provide additional clearance when the flue passes through a wall containing any combustible materials so as to prevent a fire hazard.
- 1.6 The hole through which the flue will pass, must have a steel sleeve which is positioned so that an air gap of at least 25mm is maintained between the outer surface of the flue, and any part of the sleeve.
- 1.7 For further guidance on the installation of gas appliances in timber framed buildings, contact your local buildings control authority.

2. GAS SUPPLY

- 2.1 Before installation, ensure that the local distribution conditions (identification of the type of gas and pressure) and the adjustment of the appliance are compatible.
- 2.2 Ensure that the gas supply is capable of delivering the required amount of gas and is in accordance with the rules in force.
- 2.3 Soft copper tubing can be used to install the appliance. Soft soldered joints can be used externally of the appliance.
- 2.4 This appliance is supplied complete with a factory fitted isolation device incorporated into the inlet connection, no further isolation device is required.
- 2.5 All supply gas pipes must be purged of any debris that may have entered, prior to connection to the appliance.
- 2.6 The gas inlet is located centrally at the bottom of the appliance. The supply pipe may be installed using one of three alternatives.
 - 1) By drilling a hole straight through the outside wall. There is a cutout in the back panel of the Linea and the fixing bracket to allow the pipe to be concealed within the appliance.
 - 2) Surface mounting the pipe. For this option there is a pipe cover kit 8654. This consists of
 - a) 1.4 Metre Cover
 - b) 2 Brackets
 - c) Screws and Rawlplugs

To fit the cover, measure the length required and cut down accordingly. Fix the two brackets to the wall as required. The magnets should be vertical. Fix pipe clips to the wall and install the gas pipe. The cover can now be attached to the magnets to cover the gas supply.

NOTE: There are three options of cover finishes. Black, Metallic Alloy and primed finish which allows the customer to finish any chosen colour.

3) The gas pipe can be concealed by cutting a channel in the wall. All current regulations must be adhered to and no pipe joint must be concealed in the wall.

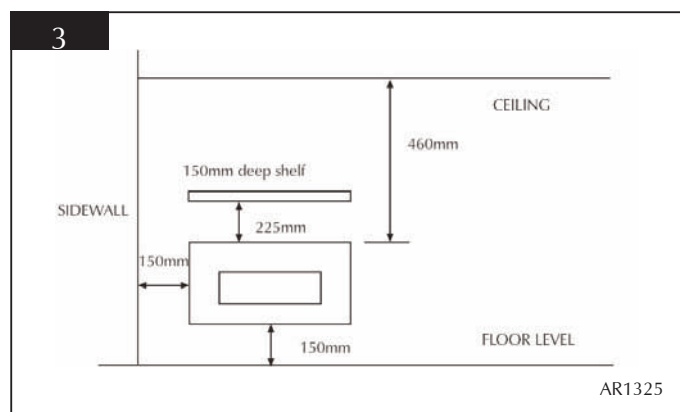
3. VENTILATION

- 3.1 This appliance requires no additional ventilation.

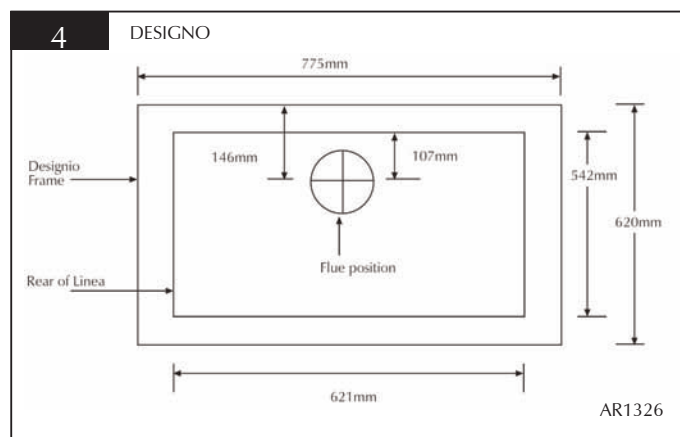
4. APPLIANCE LOCATION

IMPORTANT: DO NOT OBSTRUCT THE TOP AND BOTTOM SLOTS IN THE LINEA OUTER CASE, THESE MUST BE UNOBSTRUCTED. DO NOT RECESS THIS APPLIANCE INTO A WALL, IT MUST BE SURFACE MOUNTED ON A FLAT WALL USING THE WALL MOUNTING BRACKET SUPPLIED.

- 4.1 This appliance does not require a hearth. It can only be fitted on an outside wall with suitable clearances for the flue terminal and guard (if required). As detailed in diagram 1.
- 4.2 All minimum clearances must be complied with. See diagram 3. These clearances are to the outside edge of the decorative frame and are therefore dependant on the frame chosen.

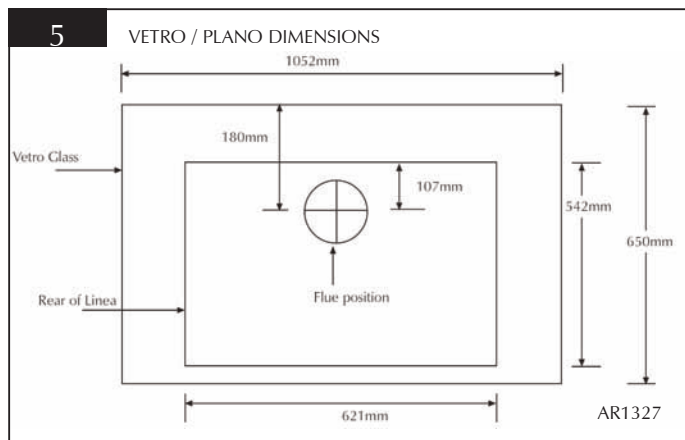


- 4.3 The outer dimensions of the frames and their position relative to the flue centre and Linea are detailed in diagrams 4 and 5.

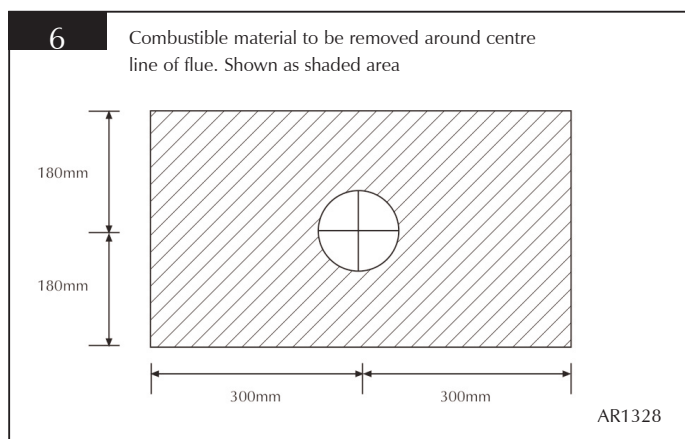


INSTALLATION INSTRUCTIONS

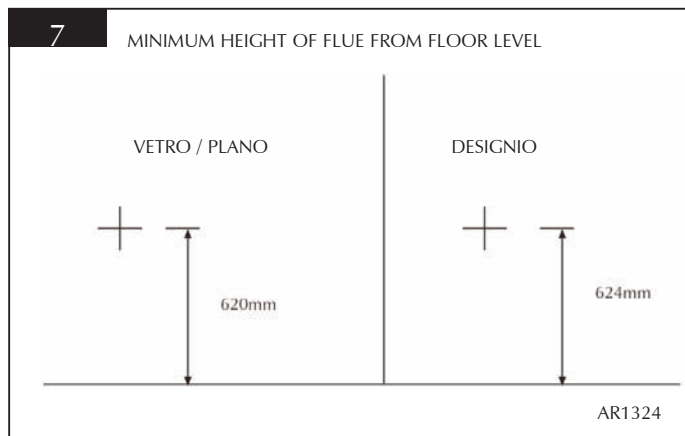
SITE REQUIREMENTS



4.4 All combustible materials must be removed from behind the appliance. See diagram 6.



4.5 The Linea may be mounted at any height, however, there must be a minimum clearance of 150mm (6") between the bottom edge of the appliance and the floor. To achieve this, the minimum flue height for each front is shown in diagram 7.



INSTALLATION INSTRUCTIONS

INSTALLATION

IMPORTANT: BEFORE THE APPLIANCE CAN BE OPERATED THE REMOTE HANDSET MUST BE TUNED TO THE CONTROL BOX SITUATED UNDER THE APPLIANCE. IF THIS PROCEDURE IS OMITTED THE APPLIANCE CAN ONLY BE LIT USING THE TOUCH PAD. SEE SECTION 3.

ENSURE THAT THE APPLIANCE IS CORRECTLY ADJUSTED FOR THE GAS TYPE AND CATEGORY APPLICABLE IN THE COUNTRY OF USE. REFER TO DATA BADGE AND TECHNICAL SPECIFICATIONS ON PAGE 8.

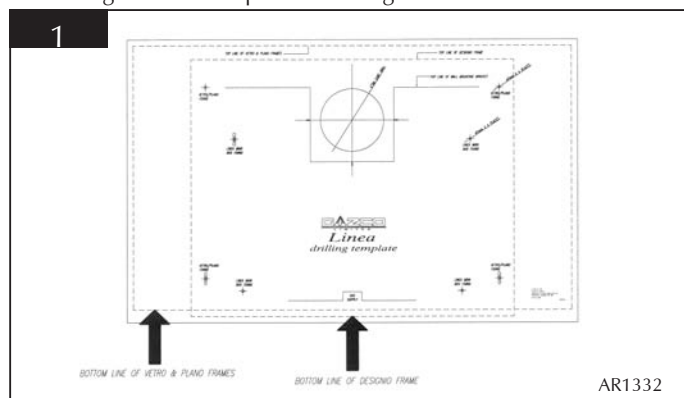
FOR DETAILS OF CHANGING BETWEEN GAS TYPES REFER TO SECTION 13 OF THE SERVICING INSTRUCTIONS.

1. SAFETY PRECAUTIONS

- 1.1 This appliance must be installed in accordance with the rules in force, and used only in a sufficiently ventilated space. Please read these instructions before installation and use of this appliance.
- 1.2 These instructions must be left intact with the user.
- 1.3 Do not attempt to burn rubbish on this appliance.
- 1.4 In your own interest, and those of safety, this appliance must be installed by competent persons in accordance with local and national codes of practice. Failure to install the appliance correctly could lead to prosecution.
- 1.5 Keep all plastic bags away from young children.

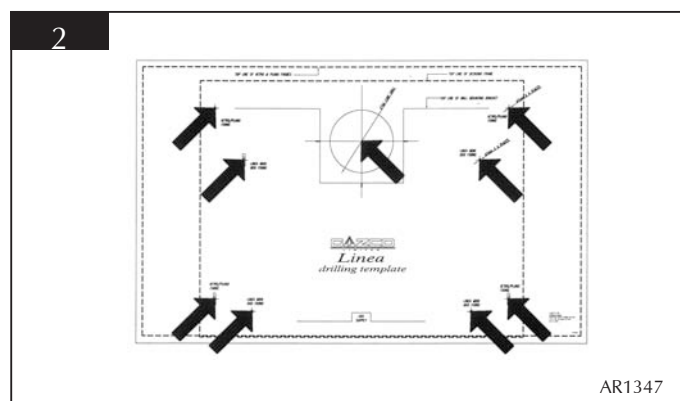
2. INSTALLATION OF THE APPLIANCE

- 2.1 Remove the appliance from the box and remove the two screws, one from either side near the top of the black surround. This will release the wall-fixing bracket.
- 2.2 Decide on the position of the Linea and Decorative front and mark the intended position of the outer bottom edge of the frame. Refer to diagram 4 and 5 in the site requirements for overall dimensions of the decorative frames.
- 2.3 Having marked the position of the outer bottom edge, position the template supplied ensuring that the line on the wall aligns with the appropriate decorative frame bottom edge on the template. See diagram 1.



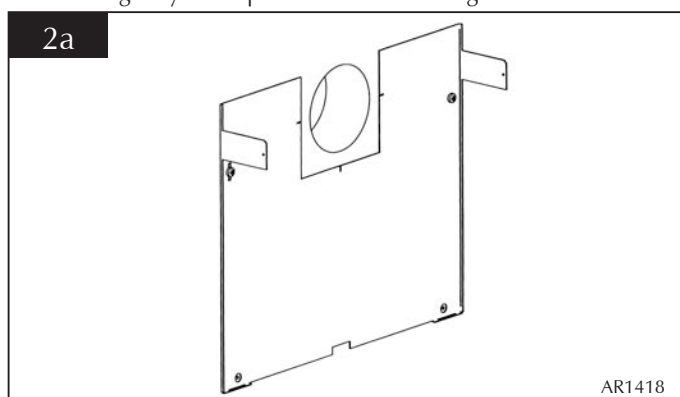
- 2.4 Having ensured that the template is level, mark the centre of the flue hole and the position of four fixing holes for the wall-fixing bracket. See diagram 2.

Note: If a Vetro or Plano decorative front has been purchased, it will also be necessary to mark the positions of the four fixing holes for the front.



TAKE CARE WHEN MARKING OUT THE FLUE AS IT IS VERY DIFFICULT TO MOVE AFTER INSTALLATION.

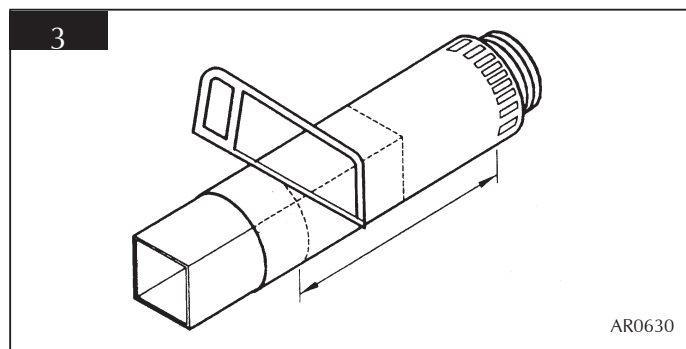
- 2.5 A 152mm (6") diameter hole is required to install the flue. This can be achieved by either:
 - a) Core drill
 - b) Hammer and chisel
 - c) Drill small holes around the circumference, knock out the centre and make good at both ends.
- 2.6 When the hole for the flue has been completed, insert the four brown rawplugs supplied and attach the fixing bracket using only the top two screws. See diagram 2a.



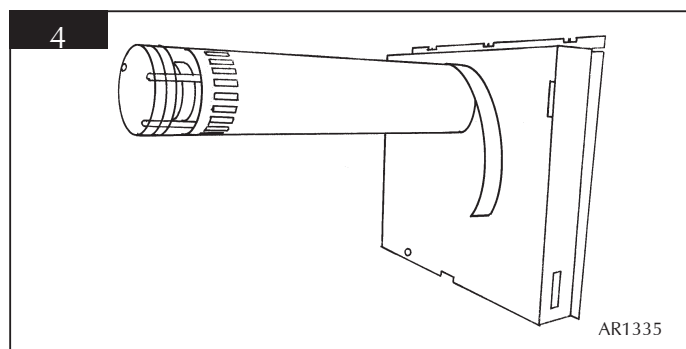
INSTALLATION INSTRUCTIONS

INSTALLATION

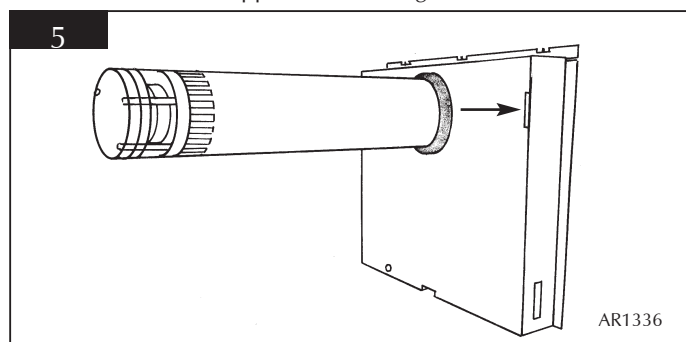
- 2.7 The flue can now be cut to size. Measure the thickness of the wall, then deduct 12mm. This is the length required when measuring from the line on the flue label. See diagram 3.



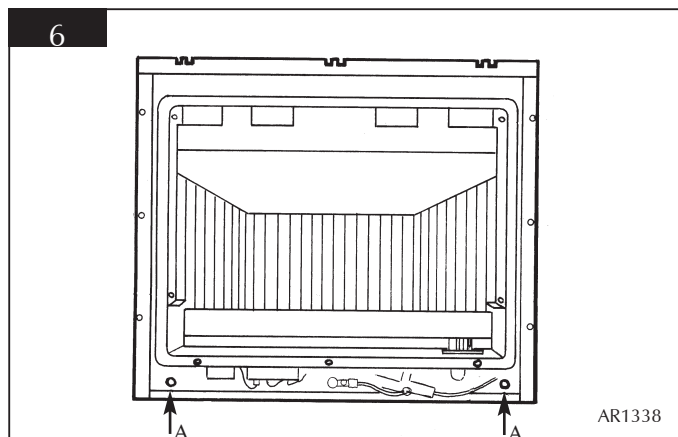
- 2.8 Attach the flue to the appliance and seal using the aluminium tape. See diagram 4.



- 2.9 Place the sealing ring over the flue and position it up against the rear of the appliance. See diagram 5.

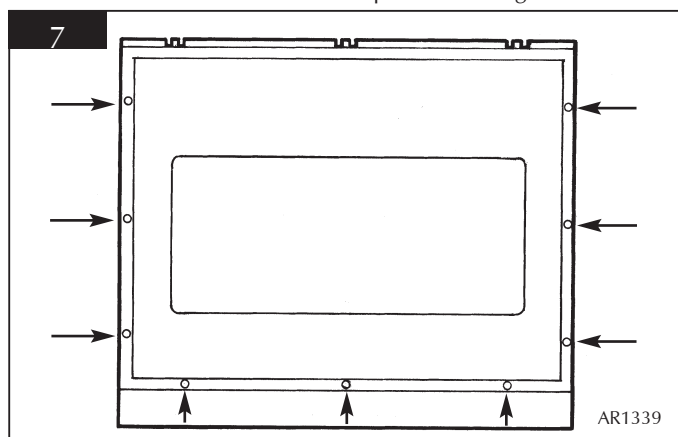


- 2.10 Fit the appliance on to the wall bracket by engaging the arms on the bracket into the slots in the rear of the appliance. See diagram 5.
- 2.11 Fit the appliance as far back as possible and refit the two screws to secure the Linea to the wall bracket.
- 2.12 Fit the lower two wood screws through the rear of the appliance and into the wall. See diagram 6 arrow A.

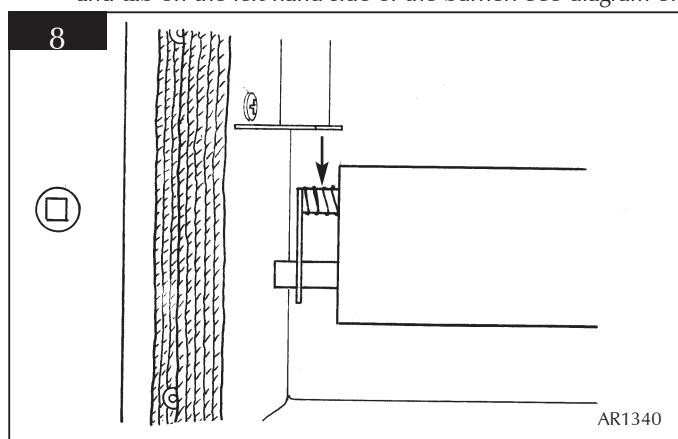


DO NOT OVER TIGHTEN. DO NOT DEFORM THE REAR OF THE APPLIANCE.

- 2.13 Remove the nine screws retaining the glass frame, remove the frame and store in a safe place. See diagram 7.



- 2.14 Remove the cardboard packaging from on top of the burner and ensure the burner is fully engaged on the injector. Also check the burner retention spring is located over the stud and tab on the left hand side of the burner. See diagram 8.



INSTALLATION INSTRUCTIONS

INSTALLATION

- 2.15 Replace the glass frame; ensure the top of the frame is hooked on the tabs at the top of the appliance and replace the nine screws with the three longest screws used in the bottom fixing holes. Tighten from the top down.

HAVE YOU PURGED THE GAS SUPPLY?

- 2.16 Connect the gas supply to the isolation device using 8mm pipe. Connect a suitable pressure gauge to the test point and turn on the gas supply and check for leaks.
- 2.17 Light the appliance and set it to maximum. Check the pressure corresponds to the data badge. Turn the gas off and replace the test point screw. Turn the gas on and check the screw for leaks.

THE YELLOW FLAMES WILL APPEAR WHEN THE FIRE HAS GAINED SUFFICIENT HEAT - TYPICALLY 20 MINUTES.

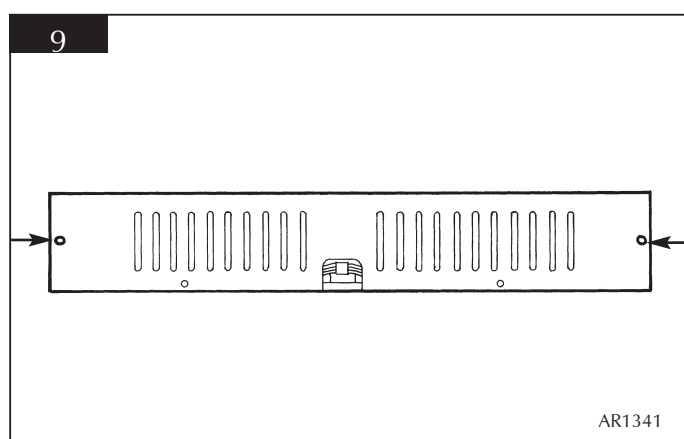
3. COMMISSIONING

NOTE: THE HANDSET HAS BEEN FACTORY PROGRAMMED TO OPERATE THIS FIRE. IF THE HANDSET OR CONTROL UNIT HAS BEEN REPLACED, YOU MUST FOLLOW THE PROGRAMMING PROCEDURE.


3.1 Programming the handset

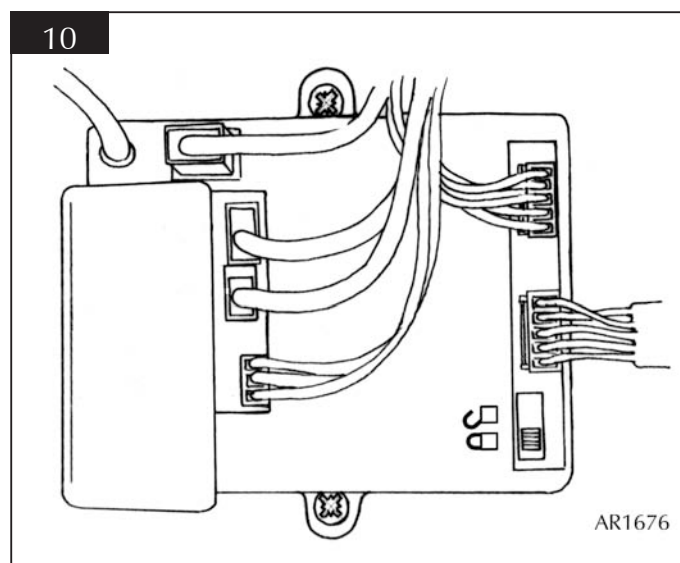
Section 3 must be read in total before trying to program the hand set. The sequence must be performed while the ON / OFF on the display is still flashing.

- 3.1.1 Remove the two outer screws from the under side of the appliance, pull the cover forward and remove. See diagram 9.


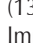


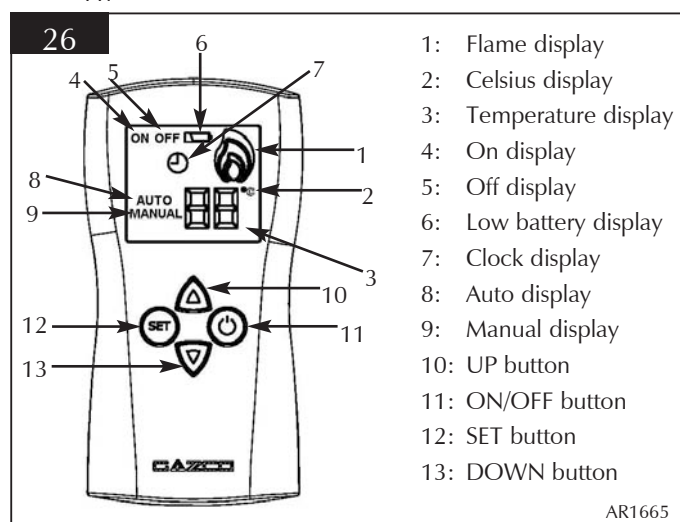
AR1341

- 3.1.2 Working under the appliance the control box is located on the left hand side. Using a pen or something similar push the switch to the Unlock  position. When viewed from underneath the ON position is towards the front of the appliance. See diagram 10.




AR1676

- 3.1.3 The remote handset must now be programmed. Push the ON / OFF button (11), the ON or OFF display will start flashing. Then press the ON / OFF button (11), and the  (10) and  (13) buttons at the same time. Immediately after press the SET button (12) once. See diagram 11.



- 1: Flame display
- 2: Celsius display
- 3: Temperature display
- 4: On display
- 5: Off display
- 6: Low battery display
- 7: Clock display
- 8: Auto display
- 9: Manual display
- 10: UP button
- 11: ON/OFF button
- 12: SET button
- 13: DOWN button

AR1665

- 3.1.4 The clock (7) will appear on the display. After a few seconds this will disappear.
- 3.1.5 Finally push the switch back to the Locked  position, towards the rear of the appliance. The remote should now be tuned to the control box.
- 3.1.6 Replace the lower cover; ensure the tabs are located on the rear flange. Engage the front tabs at the side of the appliance and replace the two screws. Take extreme care as to not trap any cables when replacing the cover.

NOTE: IF A NEW HANDSET IS PURCHASED THE ABOVE PROCEDURE MUST BE REPEATED.

- 3.2 Check flame picture.
- 3.3 Check gas pressure.

SERVICING INSTRUCTIONS

SERVICING / FAULT FINDING CHARTS

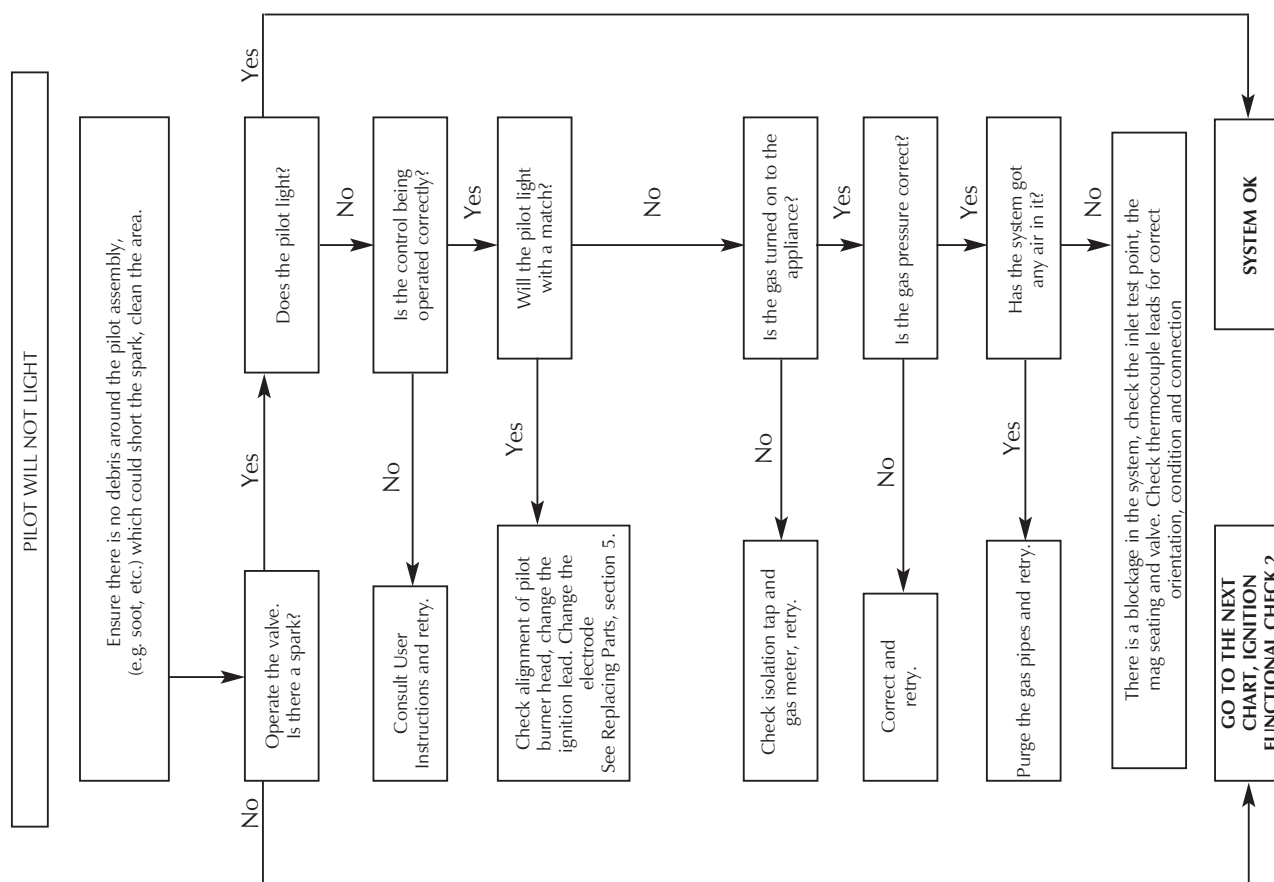
1. SERVICING REQUIREMENTS

This appliance must be serviced at least once a year by a competent person.

All tests must be serviced by best practice as described by the current CORGI recommendations.

- 1.1 Before any test are undertaken on the appliance, conduct a gas soundness test for the property to ensure that there are no gas leaks prior to starting work.
- 1.2 Before any tests are undertaken on the appliance it is also recommended to fully check the operation of the appliance.
- 1.3 Special checks
 - 1.3.1 Clean any lint or fluff from the pilot - pay particular attention to the aeration hole in the side of the pilot
 - 1.3.2 Clean away any fluff or lint from under the burner
 - 1.3.3 Check that the spark gap on the pilot is correct
- 1.4 Correct any faults found during the initial tests and then re-commission the appliance conducting the usual safety checks.
- 1.5 Advise the customer of any remedial action taken.

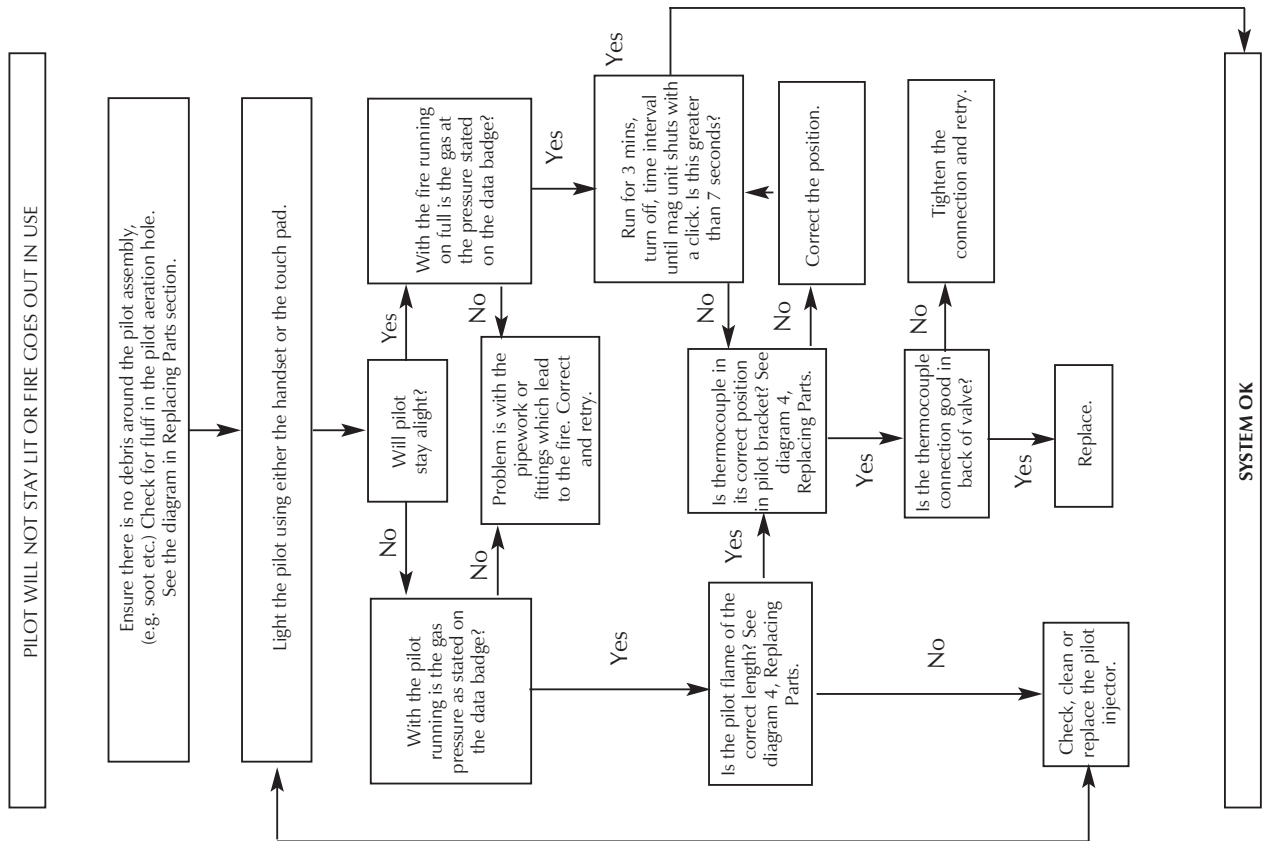
IGNITION FUNCTIONAL CHECK 1



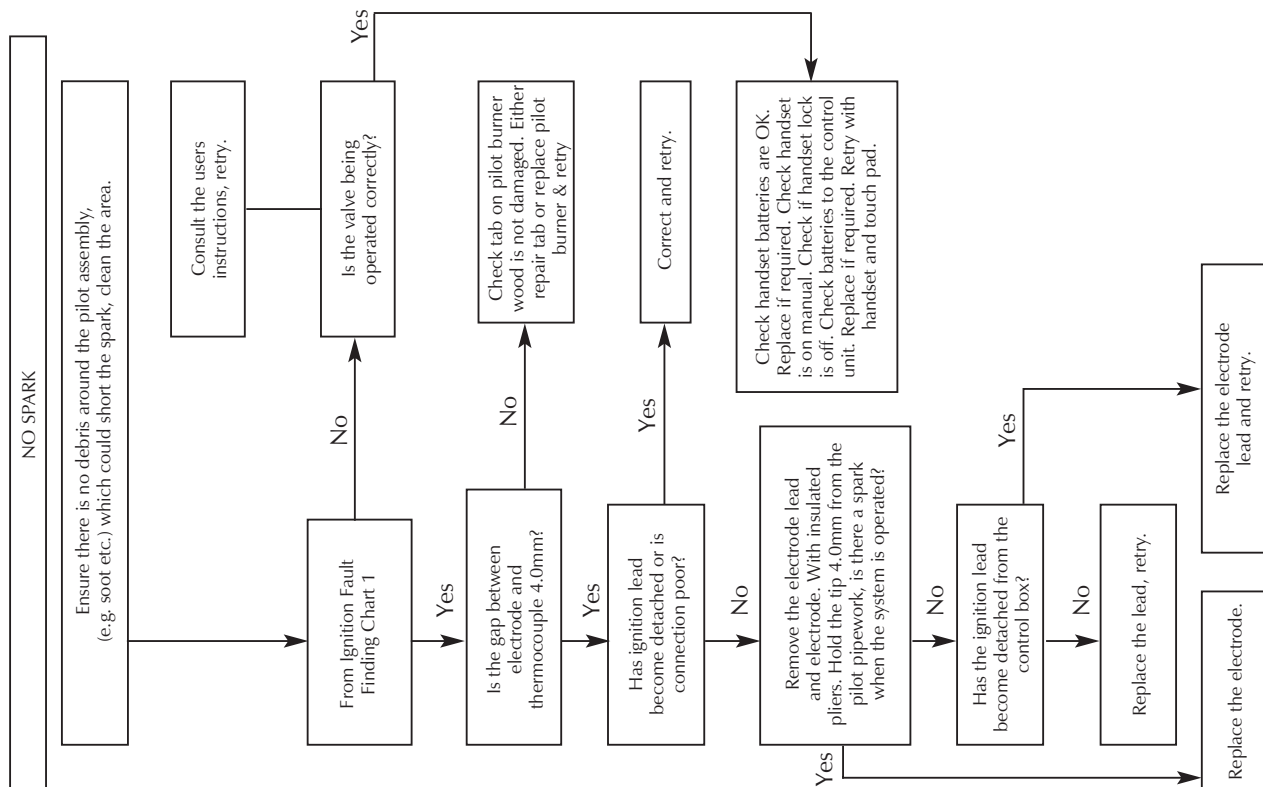
SERVICING INSTRUCTIONS

FAULT FINDING CHARTS

FLAME FAILURE FUNCTIONAL CHECK 3



IGNITION FUNCTIONAL CHECK 2



SERVICING INSTRUCTIONS

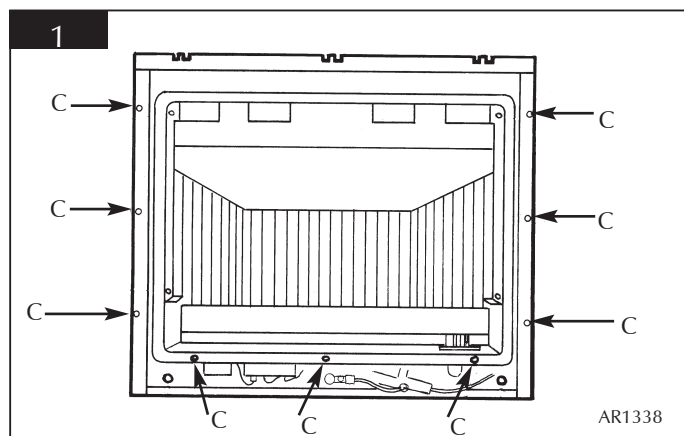
REPLACING PARTS

1. GENERAL

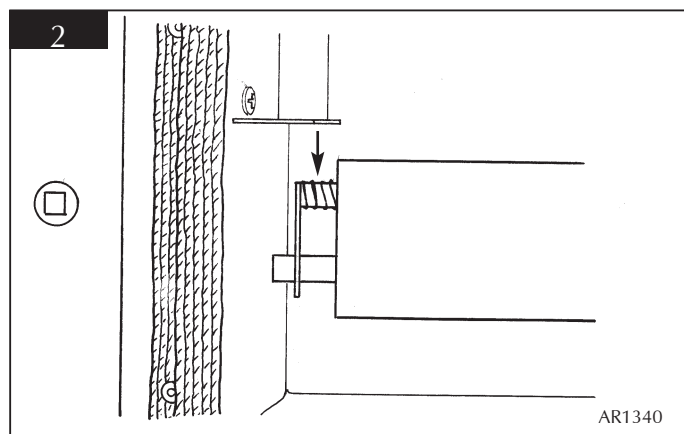
- 1.1 All principal components can be replaced without removing the appliance from its installation, although it is essential that the gas supply to the appliance is turned off at the isolation device before proceeding further.
- 1.2 If for any reason the flue has to be removed from the appliance, the seal must be replaced in the inner spigot.
- 1.3 If access to the controls is restricted, the whole control assembly and wiring loom can be removed and serviced outside the Linea, refer to section 14 for further details.

2. MAIN BURNER

- 2.1 Remove the front from the appliance. (Refer to the instructions supplied with the decorative front)
- 2.2 Remove the glass frame, note the orientation of the screws. The three long silver screws locate only in the bottom of the frame. See diagram 1, arrow C.



- 2.3 Compress the burner retaining spring towards the burner. See diagram 2.



- 2.4 Raise the burner from the slot in the bracket, pull the burner forward and slide to the left to clear the injector. Take care not to lose the spring.
- 2.5 Replace in reverse order ensuring the spring is located over the stud on the burner and the tab on the bracket.

3. PILOT UNIT

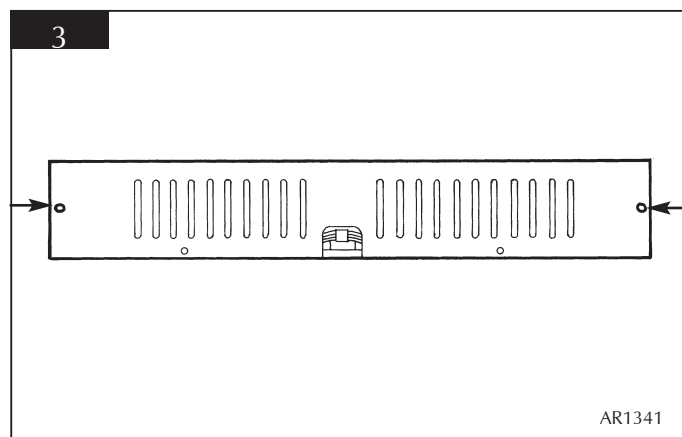
The main frame, glass frame and main burner need only be removed if the pilot burner is to be replaced. If only the pilot injector, electrode or thermocouple is to be replaced they can be accessed from under the appliance.

The pilot assembly consists of four components, which can be individually changed, these are:

- 1) Pilot burner bracket.
- 2) Pilot injector
- 3) Electrode
- 4) Thermocouple.

4. PILOT BURNER

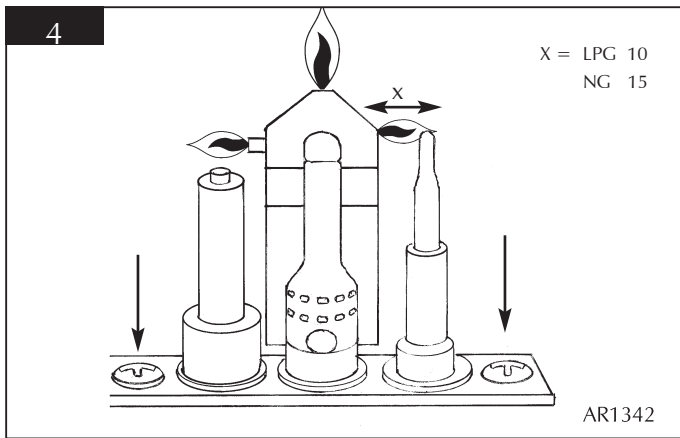
- 4.1 Remove the main front by referring to the instructions supplied with the decorative front.
- 4.2 Remove the glass frame from the appliance. See diagram 1 arrow C.
- 4.3 Remove the main burner by compressing the spring on the lefthand side of the burner. See diagram 2. Raise the burner forward and slide to the left to clear the injector. Take care not to lose the spring.
- 4.4 Working underneath the appliance, remove the lower cover. See diagram 3.



- 4.5 Remove the thermocouple, pilot pipe and electrode as described in the sections 5 to 7.
- 4.6 Remove the two screws retaining the pilot burner. See diagram 4.

SERVICING INSTRUCTIONS

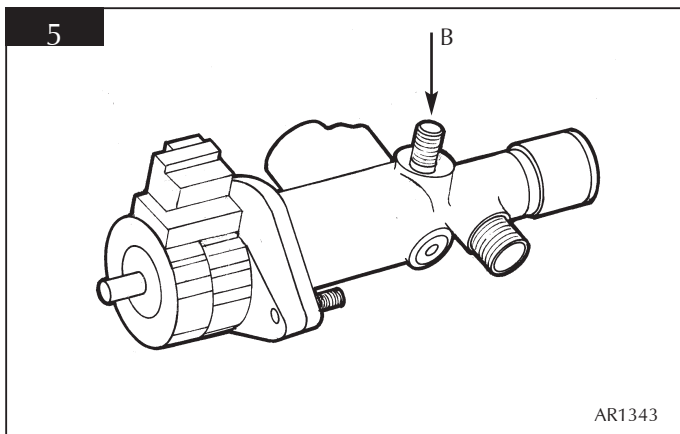
REPLACING PARTS



- 4.7 Reassemble in reverse order and replace the pilot gasket with a new one.
- 4.8 Check for gas leaks.

5. PILOT INJECTOR

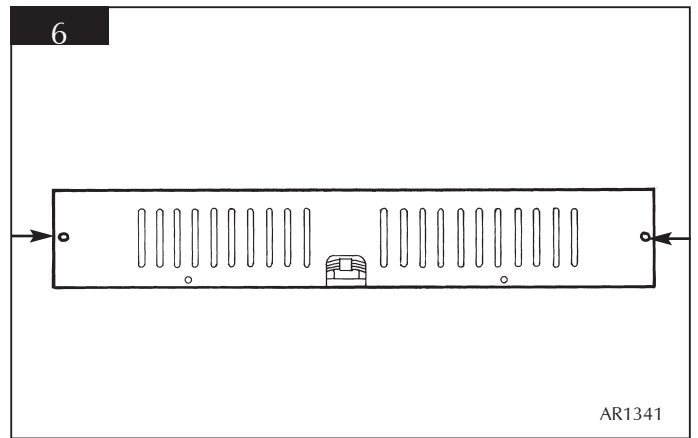
- 5.1 To gain access to the pilot pipe, it is easier if the thermocouple is removed first. To do this follow section 7.
- 5.2 Undo the pilot pipe from the top of the gas valve and from under side of the pilot burner. See diagram 5 arrow B.



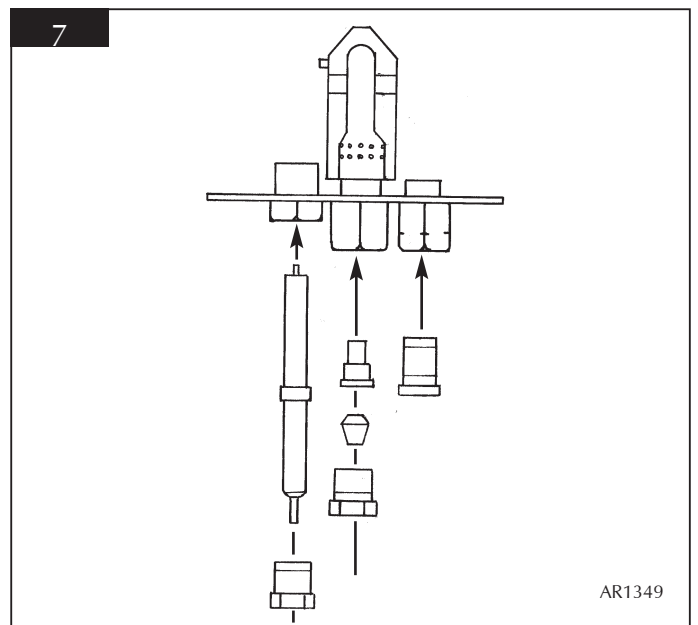
- 5.3 Remove the pipe and the injector will drop out from the burner. take care not to lose or damage the injector.
- 5.4 To replace the injector reverse the above procedure.
- 5.5 Check for gas leaks.

6. ELECTRODE

- 6.1 Remove the lower panel. See diagram 6.



- 6.2 Pull the ignition lead off the electrode and undo the retaining nut. See diagram 7.



- 6.3 Replace with a new electrode. Do not over tighten the nut as this could break the new component.
- 6.4 Replace the ignition lead and the lower cover.

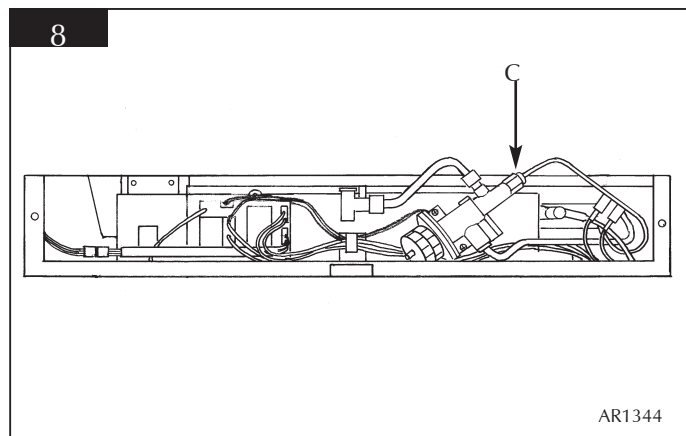
7. THERMOCOUPLE

- 7.1 Remove the lower panel. See diagram 6.

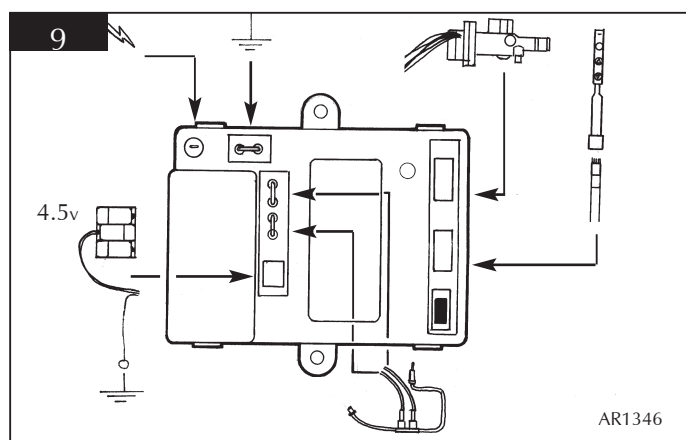
SERVICING INSTRUCTIONS

REPLACING PARTS

- 7.2 Disconnect the thermocouple from the gas valve. See diagram 8 arrow C.



- 7.3 Undo the thermocouple nut in the back of the pilot burner by half a turn. This will release the thermocouple.
7.4 Disconnect the two leads noting the orientation. The lead with the red tape on is connected to the thermocouple spade nearest the gas valve. See diagram 9.

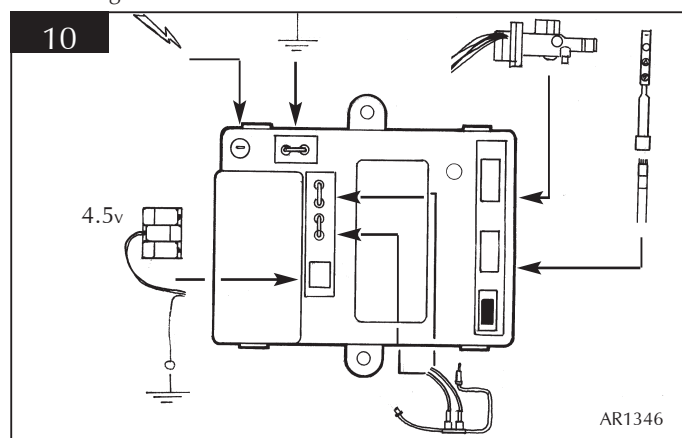


WHEN REPLACING WITH A NEW THERMOCOUPLE TAKE EXTREME CARE TO BEND THE NEW COMPONENT TO THE EXACT SHAPE AND TO KEEP THE CONNECTORS IN THE SAME ORIENTATION.

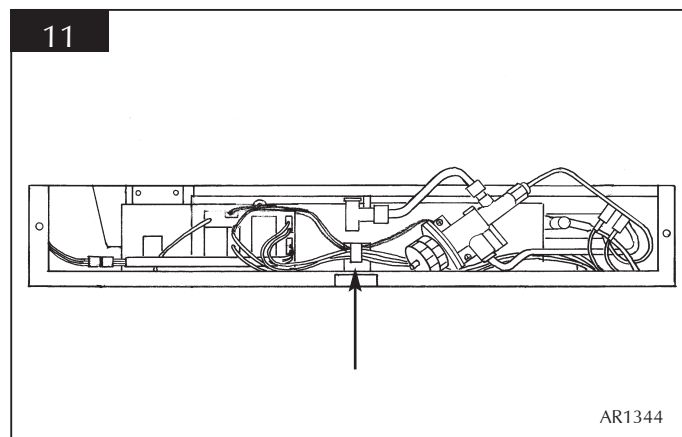
- 7.5 When replacing the thermocouple into the pilot burner ensure the component is pushed fully into the hole. There is a stop on the thermocouple to set the height.
7.6 Lock the retaining nut just enough to grip the thermocouple.
7.7 Replace the lower panel.

8. IGNITION LEAD

- 8.1 Remove the lower panel and pull the ignition lead off the electrode.
8.2 Locate the ignition lead in the control box situated on the left-hand side of the appliance and disconnect it. See diagram 10



- 8.3 Release the wires from the central white clip and carefully cut the cable ties. This will release the ignition lead. See diagram 11.



- 8.4 Replace with a new lead, replace with new cable ties and fit the wires back into the clip.
8.5 Fit the cover and ensure no wires are trapped.

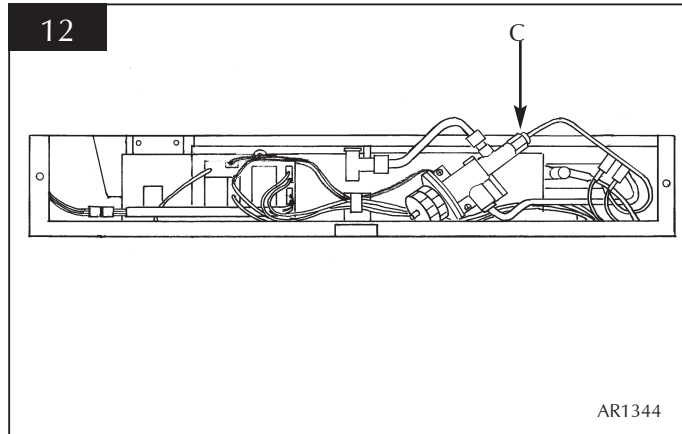
9. MAGNETIC SAFETY VALVE

- 9.1 Turn the gas off at the isolation device.
9.2 Remove the lower cover. See diagram 6

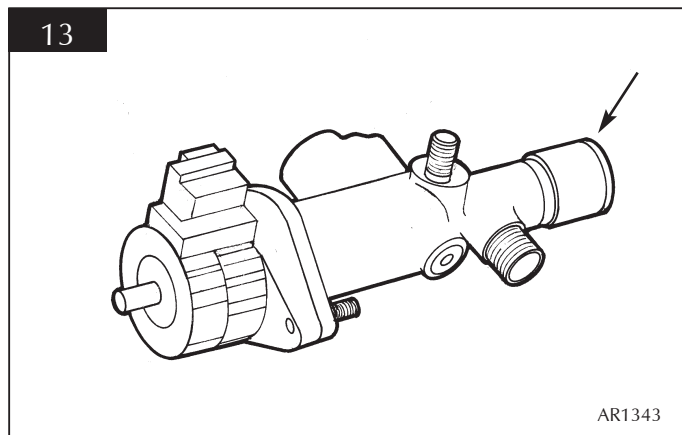
SERVICING INSTRUCTIONS

REPLACING PARTS

9.3 Remove the thermocouple from the rear valve. See diagram 12 Arrow c.



9.4 Support the valve and remove the magnetic valve retaining nut. See diagram 13.

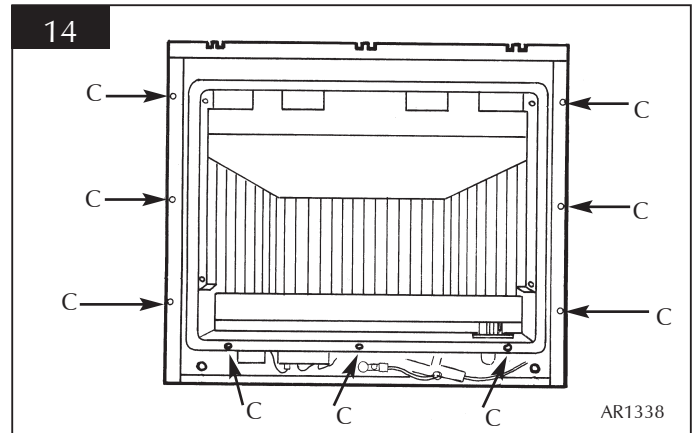


9.5 Reassemble in reverse order and check for gas leaks.

10. MAIN INJECTOR

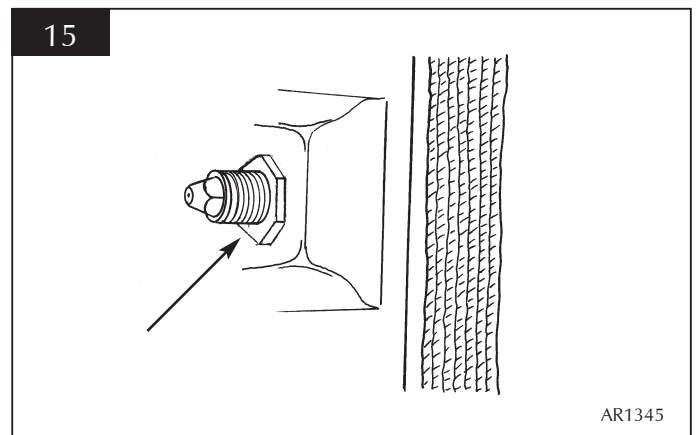
10.1 Remove the lower cover. See diagram 6.

10.2 Remove the glass frame. See diagram 14 arrow C.

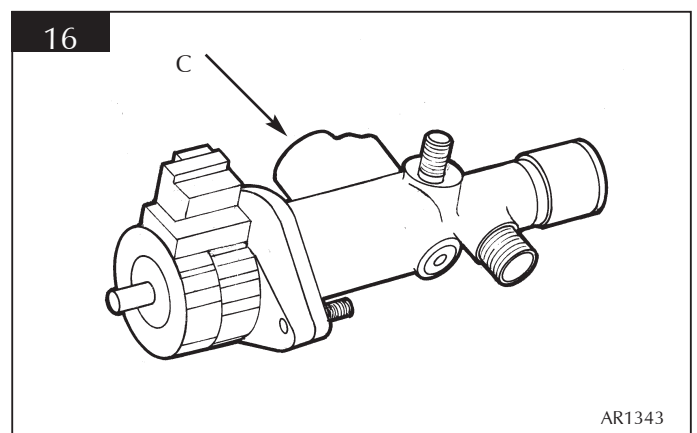


10.3 Remove the main burner as described in section 2.

10.4 Remove the locknut from the injector. See diagram 15.



10.5 Remove the feed pipe from the gas valve. See diagram 16 arrow C.



10.6 Remove the feed pipe with the injector attached from the appliance. Note the orientation of the injector on the pipe.

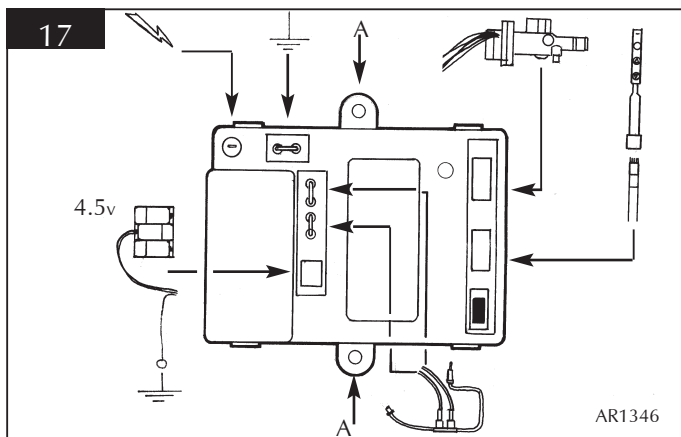
10.7 Reassemble in reverse order and check for gas leaks.

SERVICING INSTRUCTIONS

REPLACING PARTS

11. CONTROL BOX

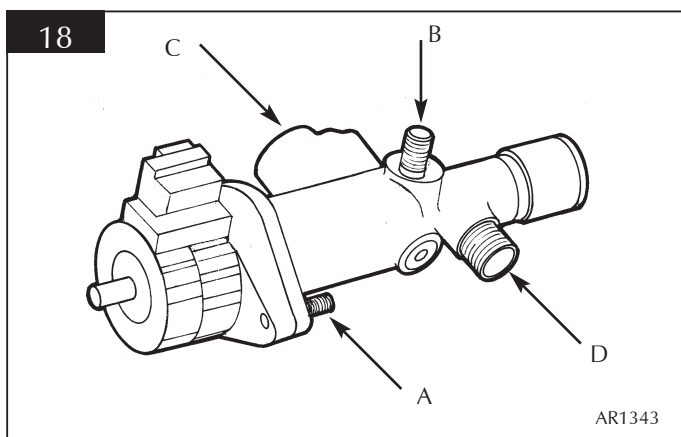
- 11.1 Remove the lower cover. See diagram 6.
- 11.2 Locate the control box and remove all of the wires connected to the box. NOTE THEIR POSITIONS.
- 11.3 Remove the two screws from the box. See diagram 17, arrow A.



- 11.4 Replace in reverse order.

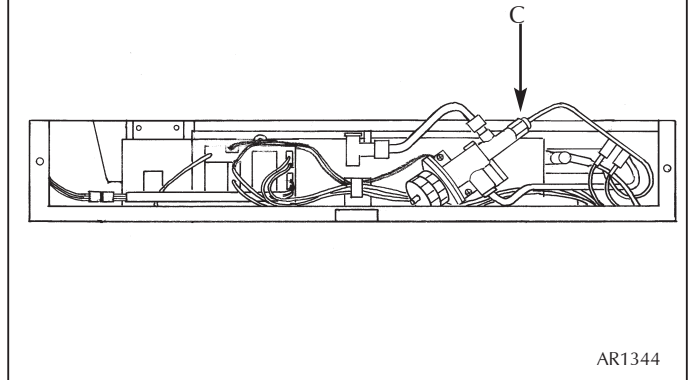
12. GAS VALVE

- 12.1 Turn off the gas supply at the isolation device.
- 12.2 Remove the lower cover. See diagram 6.
- 12.3 Remove the inlet pipe from the gas valve. See diagram 18 arrow D.



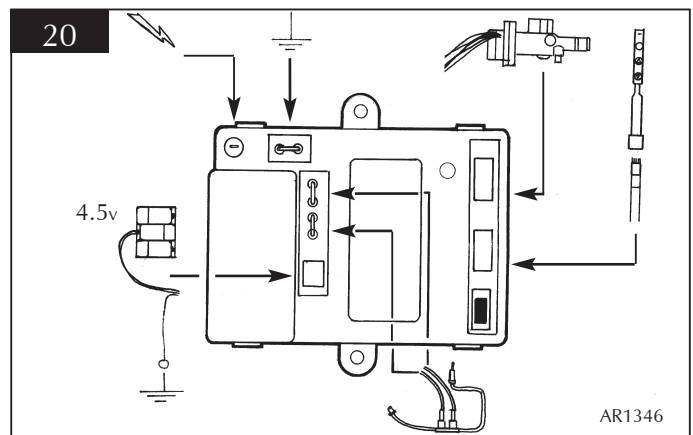
- 12.4 Disconnect the pilot pipe from the top of the gas valve. See diagram 18 arrow B.
- 12.5 Undo the thermocouple from the rear of the gas valve. See diagram 19 arrow C.

19



- 12.6 Undo the feed pipe from the gas valve. See diagram 18 arrow C.
- 12.7 Release the wires from the clip and disconnect the valve harness from the control box. See diagram 20.

20



- 12.8 Undo the two valve retaining nuts from the bracket. See diagram 18 arrow A.
- 12.9 Cut the cable ties carefully and remove the valve.
- 12.10 Reassemble in reverse order and replace new cable ties. DO NOT OVER TIGHTEN THE VALVE RETAINING NUTS.
- 12.11 Check for gas leaks.

SERVICING INSTRUCTIONS

REPLACING PARTS

13. CHANGING BETWEEN GAS TYPES

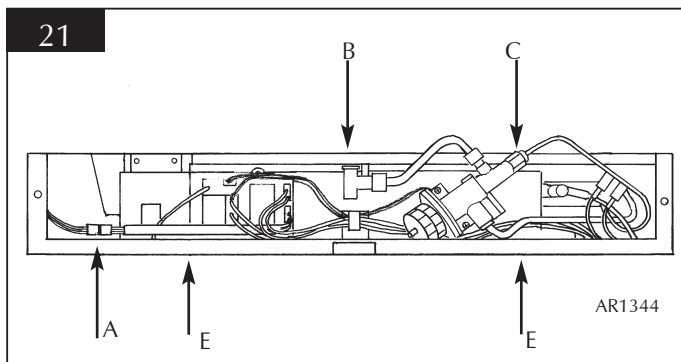
In order to change between gas types it will be necessary to change the following items.

Main Injector
Main Burner
Pilot Injector
Control Valve
Control Box
Thermocouple (NG to LPG only).
LPG to NG no change).
Data Badge

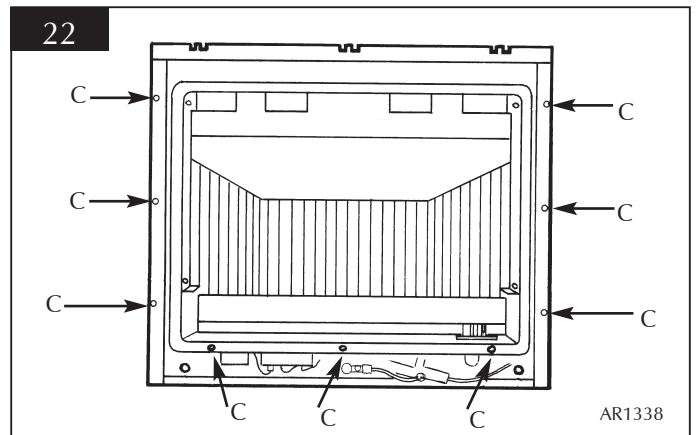
14. CONTROL BRACKET ASSEMBLY

NOTE: THIS ONLY NEEDS TO BE DONE IF ACCESS IS TO THE CONTROLS IS RESTRICTED.

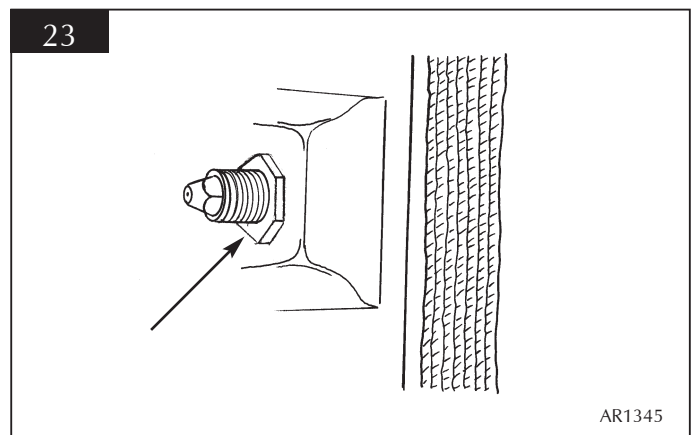
- 14.1 Remove the outer decorative front, refer to the instructions supplied with the front.
- 14.2 Remove the lower cover. See diagram 6.
- 14.3 Disconnect the gas pipe at the isolation device. See diagram 21 arrow B.



- 14.4 Remove the glass frame. See diagram 22 arrow C.



- 14.5 Remove the main burner as described in section 2.
- 14.6 Remove the injector locknut. See diagram 23.



- 14.7 Disconnect the touch pad from the harness. See diagram 21 arrow A.
- 14.8 Disconnect the ignition lead from the electrode.
- 14.9 Remove the thermocouple. See diagram 21 arrow C.
- 14.10 Remove the pilot pipe and ensure the pilot injector is kept safe.
- 14.11 Remove the two screws securing the control bracket from under the appliance. See diagram 21 arrow E.
- 14.12 Tilt the front edge of the bracket down slightly and move the assembly to the right to disengage the injector. Rotate the left hand side forward and down to allow the removal of the injector from the side of the appliance. The assembly should now be free of the appliance.
- 14.13 Reassemble in reverse order and check for gas leaks.

SERVICING INSTRUCTIONS

REPLACING PARTS

15. SHORT SPARES LIST

Component	NG	LPG	
		PROPANE	BUTANE
BURNER UNIT	GC0104	GC0105	GC0106
MAIN INJECTOR	IN0053	IN0052	
PILOT INJECTOR	PI0069	PI0070	
THERMOCOUPLE	PI0071	PI0072	
CONTROL BOX	EL0276	EL0277	
GAS VALVE*	GC0107		
MAG UNIT	GC0109		
IGN LEAD	EL0267		
SPARK ELECTRODE	PI0073		
CERAMIC REAR PANEL	CE0474		
T/C LEADS	EL0271		
BATTERY BOX	EL0274		
VALVE MOTOR HARNESS	EL0278		
TOUCH PAD HARNESS	EL0273		
TOUCH PAD	EL0272		
HANDSET	EL0275		
EARTH LEAD	EL0190		
WINDOW FRAME ASSEMBLY	GZ3949		

*Gas Valve is pre-set for the correct gas type.

SERVICE RECORDS

1ST SERVICE

Date of Service:.....
Next Service Due:.....
Signed:.....
Dealer's Stamp/CORGI Registration Number

2ND SERVICE

Date of Service:.....
Next Service Due:.....
Signed:.....
Dealer's Stamp/CORGI Registration Number

3RD SERVICE

Date of Service:.....
Next Service Due:.....
Signed:.....
Dealer's Stamp/CORGI Registration Number

4TH SERVICE

Date of Service:.....
Next Service Due:.....
Signed:.....
Dealer's Stamp/CORGI Registration Number

5TH SERVICE

Date of Service:.....
Next Service Due:.....
Signed:.....
Dealer's Stamp/CORGI Registration Number

6TH SERVICE

Date of Service:.....
Next Service Due:.....
Signed:.....
Dealer's Stamp/CORGI Registration Number

7TH SERVICE

Date of Service:.....
Next Service Due:.....
Signed:.....
Dealer's Stamp/CORGI Registration Number

8TH SERVICE

Date of Service:.....
Next Due:.....
Signed:.....
Dealer's Stamp/CORGI Registration Number

9TH SERVICE

Date of Service:.....
Next Service Due:.....
Signed:.....
Dealer's Stamp/CORGI Registration Number

10TH SERVICE

Date of Service:.....
Next Service Due:.....
Signed:.....
Dealer's Stamp/CORGI Registration Number

Gazco Limited, Osprey Road, Sowton Industrial Estate, Exeter, Devon, England EX2 7JG
Tel: (01392) 261999 Fax: (01392) 444148 E-mail: info@gazco.com

A member of the Stovax Group

Free Manuals Download Website

<http://myh66.com>

<http://usermanuals.us>

<http://www.somanuals.com>

<http://www.4manuals.cc>

<http://www.manual-lib.com>

<http://www.404manual.com>

<http://www.luxmanual.com>

<http://aubethermostatmanual.com>

Golf course search by state

<http://golfingnear.com>

Email search by domain

<http://emailbydomain.com>

Auto manuals search

<http://auto.somanuals.com>

TV manuals search

<http://tv.somanuals.com>