



Aqua Sub

Easy-Load Water Cooler

MW-59 Owner's Manual



PLEASE SAVE THESE INSTRUCTIONS

WARNING: READ THIS OWNER'S MANUAL CAREFULLY BEFORE USE.

INTRODUCTION

Thank you for choosing a Soleus Air Water Cooler. This owner's manual will provide you with valuable information necessary for the proper care and maintenance of your new product. If properly maintained, your Soleus Air Water Cooler will give you many years of trouble free operation. Please take a few moments and read the instructions thoroughly and familiarize yourself with all the operational aspects of this water cooler.

For your own records, please attach a copy of your sales receipt to this manual. Also, write the store name/location, date purchased, and serial number below:

Serial Number: _____

Date of Purchase: _____

Store Name: _____

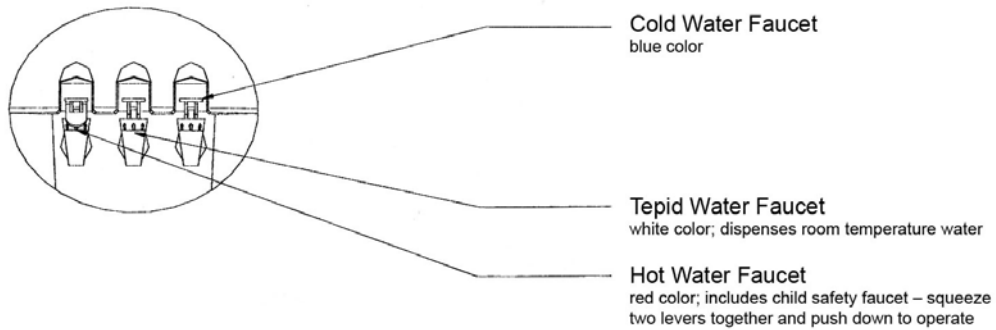
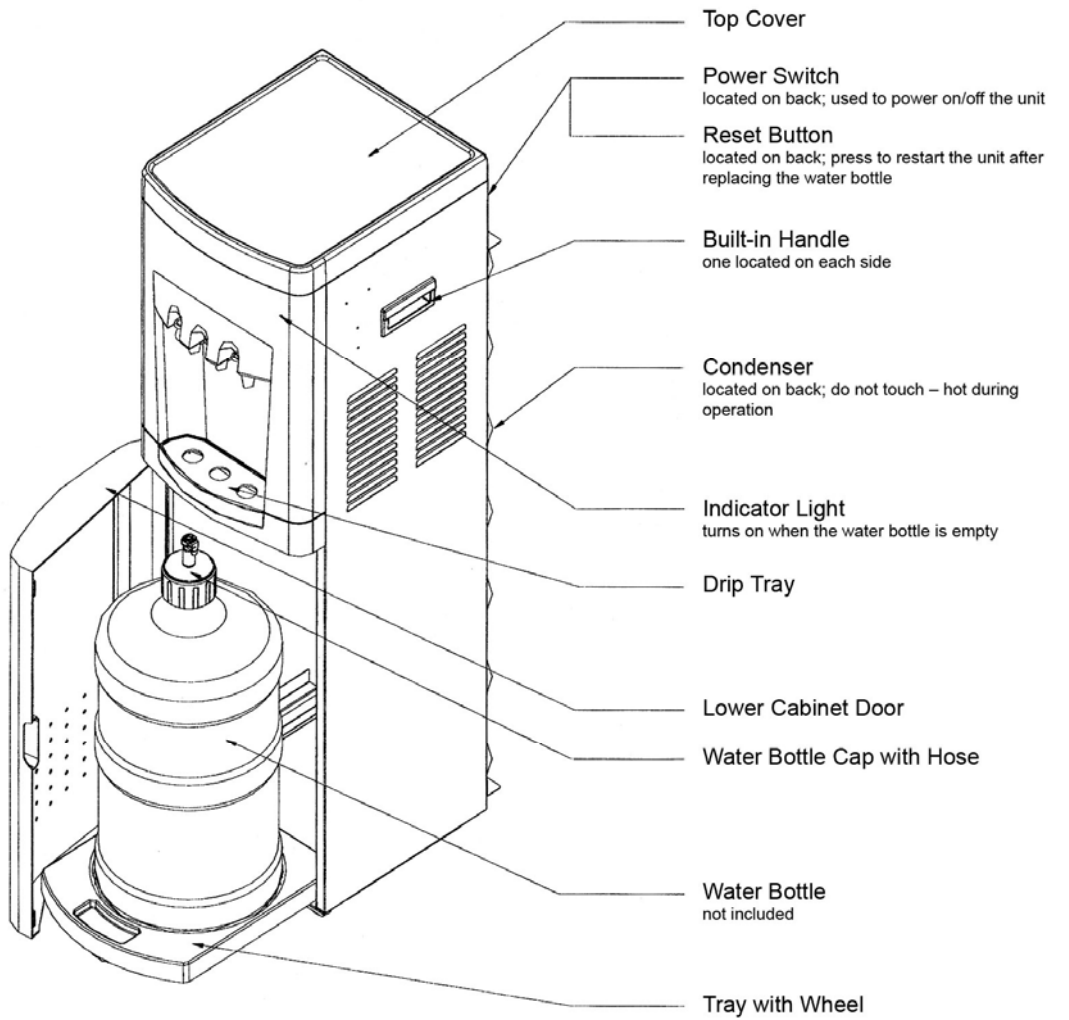
Location: _____

IMPORTANT SAFETY INSTRUCTIONS

When using electrical appliances, basic safety precautions should be followed to reduce the risk of fire, electric shock, and injury to persons or property. Read all instructions before using any appliance.

1. Do not let hot water touch bare skin. Keep combustible material such as furniture, bedding, pillows, clothes, and/or papers away from the back of the unit.
2. Do not operate this, or any other appliance, with a damaged power cord. No other appliance should be plugged into the same outlet. Be sure that the plug is fully inserted into the outlet.
3. Do not run the power cord over carpeting or other heat insulators. Do not cover the cord. Keep cord away from high traffic areas, and do not submerge in water.
4. We do not recommend the use of extension cord as it may overheat and cause a risk of fire.
5. Exercise caution and use reasonable supervision when the appliance is used by or near children.
6. Do not use your water dispenser outdoors. Place the water dispenser away from direct sunlight and make sure that there is at least 4 inches (10cm) of space between the back of your unit and wall. Keep a minimum of 2 inches (5cm) on each side of your unit free.
7. Do not use this product to dispense anything other than water.
8. To avoid a hazard due to instability of the appliance, it must be placed on even and flat surface.
9. If the supply cord is damaged, the manufacturer or its service agent or a similarly qualified person must replace it in order to avoid a hazard.
10. This water cooler must be positioned so that the plug is accessible.
11. Disconnect the plug from the outlet when not in use.
12. Remove power plug or disconnect from the main power source before servicing the appliance.

PRODUCT DIAGRAM



UNPACKING THE WATER COOLER

1. Cut and remove the straps from the box. **DO NOT** turn the box upside down, or lay it on its side. The bottom of the box is separate from the top section. Lift straight up on the top box section to remove the top box section. Remove the Styrofoam packaging and plastic bag. Lift the water cooler off the bottom of the box. Wipe it clean if necessary.
2. Place the machine on a hard, flat surface. Make certain the unit is level. The unit should not be close to direct sunlight or other source of heat.
3. It is best to place the water cooler in an area with good air circulation. Make sure there is at least 4 inches (10cm) of space between the back of your water cooler and the wall. Keep a minimum distance of 2 inches (5cm) on each side of your water cooler.

WARNING: The drain cap on the back of the unit may become loose during shipping. Fasten the drain cap tightly before you start to operate the unit. If the drain cap is loose, the unit may leak and cause floor damage.

PREPARING THE WATER COOLER FOR USE

The Aqua Sub is different from a traditional water cooler. The water bottle does not need to be placed upside down on the top of the unit. The water bottle is placed in the lower cabinet of the unit, and then a pump draws the water up to the dispenser.

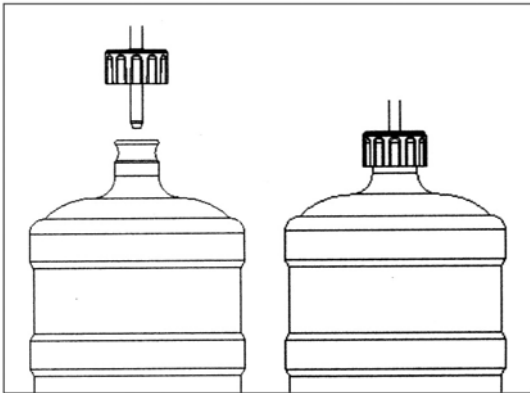


Figure 1

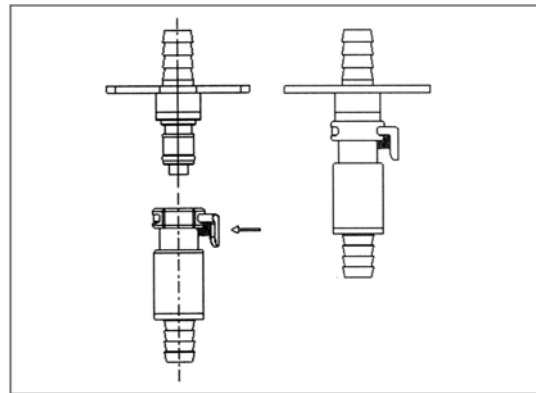
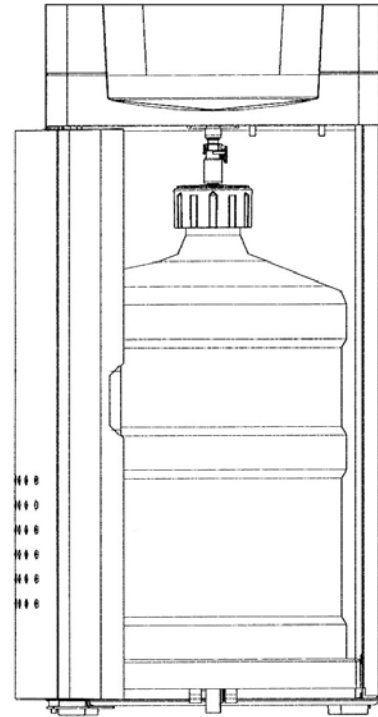


Figure 2

1. Make sure the water dispenser is not plugged into an electrical outlet.
2. Open the door of the lower cabinet and pull the tray out from the cabinet.
3. Place a full water bottle on the tray. Remove the plastic cover over the mouth of the water bottle.
4. Put the hose inside the water bottle and place the water bottle cap firmly over the mouth of the water bottle. (Figure 1)
5. Push the tray inside the cabinet of the water cooler. Attach the hose to the water cooler by pressing in on the knob of the hose cap and sliding over the connector at the top of the cabinet. **Push up firmly to assure the connection is tight.** (Figure 2)
6. Close the lower cabinet door.
7. Plug the water cooler into a grounded power outlet and turn on the power switch located on the back.
8. The unit will start to operate, but you should wait at least half an hour before using the water cooler.



NOTE: If there is not a secure connection between the hose cap and the connector on the water cooler, the water pump will operate but the water cooler will not dispense water. Make sure the hose is connected to the water cooler correctly.

NOTE: Please wait until the water pump stops running before using the unit. If the water tank is not full, no water will dispense from the tepid water faucet and the hot water faucet.

NOTE: The second time the water bottle is changed after the light on the front panel is on, switch RESET to OFF for 3 seconds.

OPERATION

After the water bottle has been connected to the water cooler, the unit is ready for use. Turn the power switch on the back of the unit to ON. The water cooler will start running. First the unit will pump the water from the water bottle into the cooling and heating tanks, and then the unit's compressor and heater will start to operate. The first time the water cooler is used, you will have to wait at least half an hour for hot and cold water.

When the indicator light on the front panel is on, there is no water left in the water bottle. The water bottle will need to be replaced. Replace the water bottle, and then press the RESET button located on the backside of the unit. The water cooler will work again and the indicator light will be off.

CLEANING AND MAINTAINENCE

To avoid accidents, turn off and unplug the water cooler from the outlet before cleaning.

- A soft damp cloth may be used to clean the surface of the water cooler. When necessary, a mild detergent may be used. DO NOT use erosive chemical solvents to clean the unit, as this may damage the surface of the water cooler.
- DO NOT pour water on the exterior of the unit to avoid getting the internal electrical system damp. DO NOT immerse the unit in water when cleaning.
- The water bottle cap, hose, and drip tray may be washed in a dishwasher.
- Keep the water cooler 6 inches (15cm) away from the wall so it can work properly. Make certain all ventilation openings are clear of obstruction.
- Do not damage the heating or cooling system, paying particular attention to the black condenser or heat radiator on the back of the water cooler.
- If you will not use the water cooler for a long period of time, please unplug the power cord and drain the water cooler. Drain the water from all faucets, then remove the drain cap on back and allow it to drain. Make certain the drain cap is fastened tightly when finished.

SPECIFICATIONS

Model	MW-59
Power Supply	115V, 60Hz
Electrical Rating	6.3A
Refrigerant and Quantity	R134a, 37g
Design Pressure (High Side)	188psig
Design Pressure (Low Side)	88psig
Dimensions	17.8"W x 13.9"D x 41.3" H

TROUBLESHOOTING

Please check the troubleshooting chart below. It includes several common problems, which you can correct at home, making a customer service call unnecessary.

Problem	Possible Cause	Remedy
Unit does not dispense hot and cold water.	Unit is unplugged.	Plug the power cord into an outlet.
	Main power supply is off.	Reestablish main power supply.
	The hose cap is not attached properly to the connector on the water cooler.	Connect properly. There will be a give when the hose cap slides properly over the connector.
Unit does not dispense cold water.	The cold water thermostat is set at too high a temperature.	Adjust the thermostat.
	Over consumption of cold water in a short time.	Wait a moment for the water to cool.
	The ventilation around the unit is insufficient.	Space the unit from the wall by more than 15 cm.
	The temperature of water in the water bottle is too high. (When the bottle is exposed to direct sunlight for a long time.)	Place the water bottle in a cool location out of direct sunlight.
Unit does not dispense hot water.	Over consumption of hot water in a short time.	Wait a moment for the water to heat.
Unit is noisy during operation.	The appliance is not level.	Place the unit on a level, flat surface.
	Unit is touching other objects.	Move the unit away from other objects.
Water leaks from the faucet.	The top portion of the faucet has become loose.	Tighten the top threaded portion of the faucet.
	The faucet has been damaged.	Call the customer service telephone number to repair the faucet.
	The bottle may have small pinholes.	Replace with a new water bottle.
Water is dripping out of the water cooler and onto the floor.	The drain cap on the back is not fastened properly.	Tighten the drain cap. If the sealing silicon material inside the drain cap is torn or damaged, then replace with a new one.

WARRANTY

One Year Limited Warranty

Soleus International Inc. warrants the accompanying Soleus Air MW-59 to be free of defects in material and workmanship for the applications specified in its operation instruction for a period of ONE (1) year from the date of original retail purchase in the United States.

If the unit exhibits a defect in normal use, Soleus International Inc. will, at its option, either repair or replace it, free of charge within a reasonable time after the unit is returned during the warranty period.

As a condition to any warranty service obligation, the consumer must present this Warranty Certificate along with a copy of the original purchase invoice.

THIS WARRANTY DOES NOT COVER:

- 1) Damage, accidental or otherwise, to the unit while in the possession of a consumer not caused by a defect in material or workmanship.
- 2) Damage caused by consumer misuse, tampering, or failure to follow the care and special handling provisions in the instructions.
- 3) Damage to the finish of the case, or other appearance parts caused by wear.
- 4) Damage caused by repairs or alterations of the unit by anyone other than those authorized by Soleus International Inc.
- 5) Freight and Insurance cost for the warranty service.

ALL WARRANTIES, INCLUDING ANY IMPLIED WARRANTY OF MERCHANT ABILITY ARE LIMITED TO ONE-YEAR DURATION OF THIS EXPRESS LIMITED WARRANTY. **SOLEUS INTERNATIONAL INC. DISCLAIMS ANY LIABILITY FOR CONSEQUENTIAL OR INCIDENTAL DAMAGES AND IN NO EVENT SHALL SOLEUS INTERNATIONAL INC'S LIABILITY EXCEED THE RETAIL VALUE OF THE UNIT FOR BREACH OF ANY WRITTEN OR IMPLIED WARRANTY WITH RESPECT TO THIS UNIT.**

As some states do not allow the limitation or exclusion of incidental or consequential damages, or do not allow limitation on implied warranties, the above limitations and exclusions may not apply to you. This warranty gives you specific legal rights, and you may also have other rights that vary from state to state.

For Warranty, Technical Support, Customer Service, Missing or Defective Parts

Please Call (888) 876-5387

Or Write To:

Soleus International Inc.
9451 Telstar Ave.
El Monte, CA 91731 USA
www.soleusair.com

Free Manuals Download Website

<http://myh66.com>

<http://usermanuals.us>

<http://www.somanuals.com>

<http://www.4manuals.cc>

<http://www.manual-lib.com>

<http://www.404manual.com>

<http://www.luxmanual.com>

<http://aubethermostatmanual.com>

Golf course search by state

<http://golfingnear.com>

Email search by domain

<http://emailbydomain.com>

Auto manuals search

<http://auto.somanuals.com>

TV manuals search

<http://tv.somanuals.com>