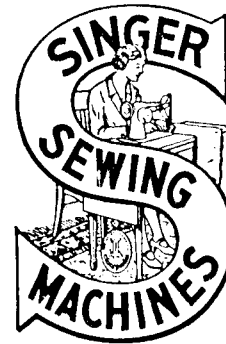


Form 2626w

(140)

Printed in U. S. A.

LIST OF PARTS



MACHINE No. 144 w 202

THE SINGER MANUFACTURING COMPANY

INDEX

	Page
Accessories	16
Bobbin Winder	16
Foot Lifter and Starting Treadle	17
Machine No.144w202	5
Numerical List of Parts	19

Copyright, U. S. A., 1939 and 1940
by The Singer Manufacturing Co.
All Rights Reserved for all Countries

INSTRUCTIONS FOR ORDERING

In ordering from this list, use ONLY the PART number in the FIRST column.

The number stamped on a Sewing Machine Part is the number of the Single Part only, except when the part includes Set Screws, Clamping Screws, Studs and Rollers Spun on, Small Wires riveted, or Parts soldered together, etc., which it is necessary to furnish in combination.

Every combination of parts sent out has its specific number which, although not stamped on Parts (except in above case), must be used when ordering the combination.

Each number always indicates the SAME PART in whatever list it appears, or for whatever Machine.

The letters after some of the numbers indicate the style of finish only, as follows:

- A. Hardened, Polished, Nickel Plated and Buffed.
- B. Polished, Nickel Plated and Buffed.
- C. Hardened only.
- D. Polished only.
- E. Soft, not polished.
- F. Hardened and Polished.
- H. Blued.
- J. Nickel Plated only.
- R. Merlized.
- X. Black Oxide.
- XC. Hardened and Black Oxide.
- Y. Blade Nickel only.

These letters MUST BE USED when they appear in the list and AFTER the number, as in the list.

In this series:

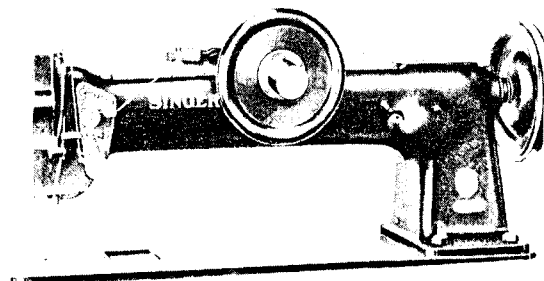
200001 to 201500 and 350001 to 351500 are Screw Numbers.
201501 to 201800 and 351501 to 351800 are Nut Numbers.
201801 to 202000 and 351801 to 352000 are Roller Numbers.
202001 to 350000 are Numbers of Machine Parts.

The figures in the second column refer only to the plate in which the illustration of the part is shown and are NOT TO BE USED in ordering.

Two or more numbers over a cut indicate that the difference between such parts is not visible in an illustration.

Parts marked with an asterisk (*) are furnished when repairs are made at the factory.

LIST OF PARTS COMPLETE FOR



MACHINE No. 144 w 202

Single Needle Lock Stitch Machine with Compound
Feed and High Lift Alternating Pressers.
For Stitching Pockets in Automobile Door Panels
and Tarpaulins, Awnings and Similar Work.
Has a high arm with a working space of 20 inches
to the right of the needle.

No.	Plate	Name
*264639	-----	Arm with two 240174
224002	16137	" Cap
200278H	16137	" " Screw
202248	16137	" " " Washer
265003	16140	" Cover
200166H	16140	" " Screw (2)
265073	16140	" Cross Shaft
265074	16140	" " " Bushing with 202260
202260	16140	" " " " Oil Packing (wick)
200383C	16140	" " " " Set Screw
200383C	16140	" " " " " Check Screw
265075	16140	" " " Gear with 200382C and 201220C
201220C	16140	Arm Cross Shaft Gear Position Screw
200382C	16140	" " " " Set Screw

No.	Plate	Name
350419H	16140	Arm Cross Shaft Gear Adjusting Screw
8702	16141	" Position Pin (2)
50708E	16141	" Screw (4)
264697	16137	" Shaft with 200357E and 224392
264641	16137	" Bushing (back) with 202244
202244	16137	" " " Oil Packing (wick)
200071E	16137	Arm Shaft Bushing (back) Screw (3)
265048	16137	" " " (center) with 202260
202260	16137	" " " Oil Packing (wick)
200338C	16137	" " " Set Screw
207080	16137	" " " (front) with 202244
202244	16137	" " " Oil Packing (wick)
200502B	16137	" " " " " Thumb Screw
200338C	16137	Arm Shaft Bushing (front) Set Screw
264602	16124	" " Connection Belt
224104	16124	" " " Pulley with 200327C, 200602E and two 202253
200602E	16124	Arm Shaft Connection Belt Pulley Position Screw
200327C	16124	Arm Shaft Connection Belt Pulley Set Screw
202253	16124	Arm Shaft Connection Belt Pulley Spring Flange
264503	16138	Arm Shaft Connection Belt Timing Collar with 200383C and 200398C
200398C*	16138	Arm Shaft Connection Belt Timing Collar Position Screw
200383C	16138	Arm Shaft Connection Belt Timing Collar Set Screw
224139	16138	Arm Shaft Connection Belt Timing Plate
200164B	16138	" " " " " " Screw (2)
224392	16137	Arm Shaft Oil Packing (wick)
200357E	16137	" " " Stop Screw
265005	16140	" Side Cover
265006	16140	" " " Gasket
200077D	16140	" " " Screw (3)
265059	16137	Balance Wheel (belt groove 6-3/4 in. diam.) with two 200039C
200039C	16137	Balance Wheel Set Screw
*264698	-----	Bed
264644	16138	" Block (for Hook Saddle)
200194E	16138	" " " " " Screw (2)
202258	16141	" Hinge Connection (2)
200570E	16141	" " " Screw (4)
54897	16138	" Oil Cup

No.	Plate	Name
264603	16141	Bed Slide (back)
223811	16141	" " " Stop
223812	16141	" " " " Spring
264604	16141	" " (front)
264645	16127	Bobbin
*265086	-----	" Case
264647	16127	" " Latch
*202056	-----	" " " Pin
264648	16127	" " " Plunger
264649	16127	" " " Spring
264650	16127	" " Oiling Felt
265066	16128	" " Opener
265087	16128	" " Lever with 201349C, 201542C and 203101
201349C	16128	Bobbin Case Opener Lever Driving Screw Stud
201542C	16128	Bobbin Case Opener Lever Driving Screw Stud Nut
203101	16128	Bobbin Case Opener Lever Driving Screw Stud Oil Packing (wick)
265088	16128	Bobbin Case Opener Lever Hinge Stud with 202277
202277	16128	Bobbin Case Opener Lever Hinge Stud Oil Packing (wick)
200403C	16128	Bobbin Case Opener Lever Hinge Stud Set Screw
200387C	16128	Bobbin Case Opener Lever Hinge Stud Set Screw Check Screw
248251	16128	Bobbin Case Opener Lever Link
200118D	16128	" " " Screw
265089	16127	" " Tension Spring
200983F	16127	" " " " Regulating Screw
200597F	16127	Bobbin Case Tension Spring Screw
265090	16127	Bobbin Case complete, Nos. 200597F, 200983F, 202056, 264647 to 264650, 265086 and 265089
265318	16141	Face Plate
202135	16141	" " Position Pin
200533B	16141	" " Thumb Screw
264633	16139	Feed Bar
264634	16139	" " Crank with 200363C and 200396C
200396C	16139	" " " Position Screw
200363C	16139	" " " Set Screw
350393C	16139	" " Hinge Screw (driving)
201518E	16139	" " " " Nut
264687	16134	" Dog, 38 elongated needle hole, for needle sizes 25 and 26

No.	Plate	Name
265100	16134	Feed Dog, 30 needle hole, for needle size 27, for use with thread larger than No. 12
201491E	16134	Feed Dog Screw (2)
264635	16124	" Driving Connection with 200049D and 202330
201171C	16124	Feed Driving Connection Hinge Screw
201517E	16124	" " " " " Nut
202277	16124	" " " " " 011
		Packing (wick)
202330	16124	Feed Driving Connection Oil Packing (wick)
200049D	16124	Feed Driving Connection Pinch Screw
237521	16124	" " Eccentric Regulating Bracket
237043	16124	" " " " "
		237521 with 224108, two each 200256C and 201525E
224108	16124	Feed Driving Eccentric Regulating Bracket Flange with 200383C and 200437C
200437C	16124	Feed Driving Eccentric Regulating Bracket Flange Position Screw
200383C	16124	Feed Driving Eccentric Regulating Bracket Flange Set Screw
200256C	16124	Feed Driving Eccentric Regulating Bracket Hinge Screw
201525E	16124	Feed Driving Eccentric Regulating Bracket Hinge Screw Nut
202301	16124	Feed Driving Eccentric Regulating Bracket Plunger
237523	16124	Feed Driving Eccentric Regulating Bracket Plunger Spring
200607C	16124	Feed Driving Eccentric Regulating Bracket Plunger Spring Stop Screw
200256C	16124	Feed Driving Eccentric Regulating Bracket Stop Screw
201525E	16124	Feed Driving Eccentric Regulating Bracket Stop Screw Nut
200429C	16124	Feed Driving Eccentric Regulating Screw
200383C	16124	" " " " "
		Check Screw
264636	16139	Feed Driving Rock Shaft
223652	16139	" " " " Crank with 200019E
200019E	16139	" " " " " Pinch Screw
202625	16139	" " " " " Stop Collar with two 200383C (2)
200383C	16139	Feed Driving Rock Shaft Stop Collar Set Screw
224154	16138	Feed Lifting Cam with 201220C

No.	Plate	Name
264637	16139	Feed Lifting Cam Fork with 200173D and 223655
350197E	16139	Feed Lifting Cam Fork Screw
225837	16139	" " " " " Washer
223655	16139	" " " " " Oiling Felt
200173D	16139	" " " " " Screw
201220C	16138	" " " " " Set Screw
264696	16137	" Regulating Spindle with 202443, 202619 and 264657
*264657	-----	Feed Regulating Spindle Head
202443	16137	" " " " " Pin
202619	16137	" " " " " Position Pin
264606	16141	Foot Lifter Lifting Lever with 264518
265012	16141	" " " " " Hinge Stud
200352C	16141	" " " " " " " Set Screw
264699	16141	Foot Lifter Lifting Lever Latch
227224	16141	" " " " " Collar with 201052C
201052C	16141	Foot Lifter Lifting Lever Latch Collar Set Screw
265014	16141	Foot Lifter Lifting Lever Latch Handle with two 201052C
201052C	16141	Foot Lifter Lifting Lever Latch Handle Set Screw
265015	16141	Foot Lifter Lifting Lever Latch Spring
227116	16141	" " " " " " " Adjusting Collar
265027	16141	Foot Lifter Lifting Lever Latch Spring Adjusting Collar 227116 with 201052C
201052C	16141	Foot Lifter Lifting Lever Latch Spring Adjusting Collar Set Screw
264518	16141	Foot Lifter Lifting Lever Pin
264519	16141	" " " " " Spring
200268F	16141	" " " " " " " Screw
265067	16140	Hand Wheel
265068	16140	" " Disengaging Spring
265069	16140	" " " " " Plunger
264689	16137	" " Driving Gear with 200382C and 200917C
200917C	16137	Hand Wheel Driving Gear Position Screw
200382C	16137	" " " " " " "
		Check Screw
200382C	16137	Hand Wheel Driving Gear Set Screw
200382C	16137	" " " " " " " Check Screw
265070	16140	Hand Wheel Engaging Collar
232719	16140	" " " " " Pin
265071	16140	" " " " " Plate

No.	Plate	Name
200577XC	16140	Hand Wheel Engaging Plate Screw
201054F	16140	" " Screw
265072	16140	Hand Wheel complete, Nos. 201054F, 232719, 265067, 265070, 265071, 265073 to 265075 350419H, three each 265068, 265069 and four 200577XC
*265091	16127	Hook
265092	16127	" 265091 with 265095 to 265097, two 200583H and four 201253F
265093	16127	Hook and Bobbin Case complete, Nos. 265090 and 265092
224019	16128	Hook Bushing (lower) (bronze)
200364C	16128	" " " Set Screw
265094	16128	" " (upper) (bronze)
200446C	16128	" " " Position Screw
265053	16138	" Driving Gear (spiral) with 200362C and 201254C
201254C	16138	Hook Driving Gear Position Screw
200362C	16138	" " " Set Screw
240167	16128	" " Pinion (spiral) with 200382C and 201220C
201220C	16128	Hook Driving Pinion Position Screw
200382C	16128	" " " Set Screw
224022	16128	" " " Thrust Washer
264700	16138	" " Shaft
224111	16138	" " " Bushing (back) with 202244
202244	16138	Hook Driving Shaft Bushing (back) Oil Packing (wick)
237529	16138	Hook Driving Shaft Bushing (front)
200363C	16138	" " " " Set Screw (2)
200383C	16138	" " " " " Check Screw (2)
265043	16138	Hook Driving Shaft Lock Ratchet with 200354C and 200362C
200354C	16138	Hook Driving Shaft Lock Ratchet Position Screw
200362C	16138	Hook Driving Shaft Lock Ratchet Set Screw
265044	16138	Hook Driving Shaft Lock Stud
248423	16138	" " " " " Cotter Pin
265045	16138	" " " " " Socket
248425	16138	" " " " " Spring
265046	16138	Hook Driving Shaft Lock Stud complete, Nos. 248423, 248425, 265044 and 265045
265095	16127	Hook Gib Section (long)
265096	16127	" " " (short)
201253F	16127	" " " Screw
265097	16127	" Needle Guard

No.	Plate	Name
200583H	16127	Hook Needle Guard Screw
223850	16128	" Saddle with 200009E
265098	16128	" " 223850 with 200364C, 200446C, 224019 and 265094
223681	16138	Hook Saddle Bearing
200363C	16138	" " " Set Screw
200383C	16138	" " " " " Check Screw
200009E	16128	" " Pinch Screw
200006E	16128	" " Screw
225585	16128	" " " Washer
265099	16128	Hook Saddle complete, Nos. 200118D, 200387C 200403C, 224022, 240167, 248251, 265066, 265087, 265088, 265093 and 265098
264607	16137	Lifting Bell Crank
200996C	16137	" " " Cap Screw
264608	16137	" " " Link
350172C	16137	" " " " Screw Stud
201524E	16137	" " " " " Nut
264609	16137	" Eccentric with 200382C and 200398C
264610	16137	" " Connection
240171	16137	" " " Crank with 200029E and 248821
248821	16137	Lifting Eccentric Connection Crank Oil Packing (wick)
200029E	16137	Lifting Eccentric Connection Crank Pinch Screw
200398C	16137	Lifting Eccentric Position Screw
200382C	16137	" " Set Screw
264611	16131	" Presser Foot
200074F	16131	" " " Screw
264615	16137	" Rock Shaft with 201524E and 350172C
240174	16137	Lifting Rock Shaft Bushing
264616	16130	Needle Bar with 200112F, 200583H and 264623
264617	16130	Needle Bar Connecting Link
264667	16130	" " " " Stud with 222598
222598	16130	Needle Bar Connecting Link Stud Oil Packing (wick)
200374C	16130	Needle Bar Connecting Link Stud Set Screw
200388C	16130	Needle Bar Connecting Link Stud Set Screw
265054	16130	Needle Bar Connecting Stud with 202330 and two 200086C
202330	16130	Needle Bar Connecting Stud Oil Packing (wick)
200086C	16130	Needle Bar Connecting Stud Pinch Screw

No.	Plate	Name
264619	16130	Needle Bar Crank with 200335C, 200374C, 200388C, 200428C and 264667
203172	16130	Needle Bar Crank Friction Washer
200428C	16130	" " " " Position Screw
200383C	16130	" " " " " Check Screw
200335C	16130	Needle Bar Crank Set Screw
200383C	16130	" " " " " Check Screw
264620	16130	" " Rock Frame
210910	16130	" " " " " Hinge Stud with 202277
202277	16130	Needle Bar Rock Frame Hinge Stud Oil Packing (wick)
200363C	16130	Needle Bar Rock Frame Hinge Stud Set Screw
200363C	16130	Needle Bar Rock Frame Hinge Stud Set Screw Check Screw
202666	16130	Needle Bar Rock Frame Position Bracket
200098F	16130	" " " " " " Screw
264622	16137	Needle Bar Rock Frame Rock Shaft with 200387C and 210920
223692	16137	Needle Bar Rock Frame Rock Shaft Crank with 200029E
264638	16124	Needle Bar Rock Frame Rock Shaft Crank Connection with 202277
200833C	16124	Needle Bar Rock Frame Rock Shaft Crank Connection Hinge Screw
201522E	16124	Needle Bar Rock Frame Rock Shaft Crank Connection Hinge Screw Nut
202277	16124	Needle Bar Rock Frame Rock Shaft Crank Connection Oil Packing (wick)
200029E	16137	Needle Bar Rock Frame Rock Shaft Crank Pinch Screw
202668	16137	Needle Bar Rock Frame Slide Block
210920	16137	" " " " " " 202668 with 201141C
201141C	16137	Needle Bar Rock Frame Slide Block Screw Stud
200387C	16137	Needle Bar Rock Frame Slide Block Screw Stud Set Screw
264623	16130	Needle Bar Thread Guide
200583H	16130	" " " " " Screw
200112F	16130	" Set Screw
264690	16131	Presser Bar with 200074F
241535	16131	" " Bushing (lower)
207072	16131	" " " (upper)
200352C	16131	" " " Set Screw (2)
264625	16131	" " Lifting Bracket with 200032E

No.	Plate	Name
200975F	16131	Presser Bar Lifting Bracket Guide Screw
200032E	16131	" " " " " Pinch Screw
264626	16131	" " Position Guide
264627	16131	" " " " " Lever with 200086F
200086F	16131	Presser Bar Position Guide Lever Pinch Screw
200252C	16131	Presser Bar Position Guide Set Screw
265060	16141	" " Spring (auxiliary)
240172	16141	" " " (flat)
210949	16131	" " " Bracket with 200086C
200086C	16131	" " " " " Pinch Screw
350381C	16141	" " " Regulating Screw
200224H	16141	" " " Support Screw
225004	16141	" " " " " Washer
265032	16138	Safety Clutch Hook Driving Shaft Position Collar with two 201254C
201254C	16138	Safety Clutch Hook Driving Shaft Position Collar Set Screw
265056	16138	Safety Clutch Locking Lever
265050	16138	" " " " " Connecting Link
350433C	16138	Safety Clutch Locking Lever Hinge Screw
265041	16138	" " " " " Spring (for heavy duty)
200962C	16138	Safety Clutch Locking Lever Spring Adjusting Screw
200053C	16138	Safety Clutch Locking Lever Spring Screw
265036	16138	" " Pulley with 200962C and 202253
202253	16138	Safety Clutch Pulley Spring Flange
265057	16138	" " Throw-in Latch
265052	16138	" " " " " Pin
265051	16138	" " " " " Spring
265042	16138	Safety Clutch (for heavy duty) complete, Nos. 200053C, 265032, 265036, 265041, 265050 to 265052, 265056, 265057 and 350433C
264628	16130	Take-up Lever
264629	16130	" " Driving Stud with 202277
202277	16130	" " " " " Oil Packing (wick)
202400	16130	Take-up Lever Hinge Stud with 202423
202423	16130	" " " " " Oil Packing (wick)
200363C	16130	Take-up Lever Hinge Stud Set Screw
264674	16132	Tension Bracket with 200061C, 238089 and 350392C

No.	Plate	Name
200159F	16132	Tension Bracket Screw (2)
2102	16132	" Disc
32572	16132	" Release Disc
264675	16132	" " Lever
238089	16132	" " " Guide Pin
264676	16131	" " " Rod
200309E	16132	" " " Screw
264695	16132	" " Plunger
223438	16132	" Spring
350392C	16132	" Stud
1560C	16132	" Thumb Nut
264677	16132	Tension Bracket complete, Nos. 1560C, 32572 200132E, 200309E, 201535E, 223438, 264674 264675, 264678, 264681 to 264685, 264695 265076, 265077, two 2102 and four 200583H
264678	16132	Thread Controller Disc
265076	16132	" " Spring
265331	16132	" " " (heavy) for use with thread larger than No. 12
265077	16132	Thread Controller Spring Stop
200132E	16132	" " " " Screw
264681	16132	" " " Stud with 201052C
200061C	16132	" " " " Set Screw
264682	16132	" " Stud
201052C	16132	" " " Set Screw
264683	16132	" " Thread Guide
201535E	16132	" " " " Nut
202412	16132	" Guide
264685	16132	" " (lower)
264684	16132	" " (upper)
200583H	16132	" " Screw
236955	16140	" Lubricating Cup with 200059C and 201280C
236957	16140	Thread Lubricating Cup Oil Pad (felt)
236959	16140	" " " " (upper)
		Reinforcing Plate
201280C	16140	Thread Lubricating Cup Oil Pad (upper)
		Tension Screw Stud
222712	16140	Thread Lubricating Cup Oil Pad (upper)
		Tension Spring
201572B	16140	Thread Lubricating Cup Oil Pad (upper)
		Tension Thumb Nut
236961	16140	Thread Lubricating Cup Oil Pad (upper)
		complete, Nos. 236957 and 236959
200059C	16140	Thread Lubricating Cup Set Screw
236962	16140	" " " Thread Guide
236963	16140	Thread Lubricating Cup complete, Nos. 201572B, 222712, 236955, 236961, 236962 and three 236957

No.	Plate	Name
210956	16132	Thread Retainer Bracket with 200397H
265335	16132	" " " Arm
200126F	16132	" " " " Screw (2)
200583H	16132	" " Screw (2)
210993	16132	" " Sleeve
223844	16132	" " Spring
210957	16132	" " Stud
210958	16132	" " " Collar
200397H	16132	" " " Set Screw
210959	16132	Thread Retainer complete, Nos. 210956 to 210958, 210993 and 223844
264693	16134	Throat Plate
742F	16134	" " Screw (2)
264630	16130	Vibrating Presser Bar
264631	16137	" " " Connecting Link
202277	16130	" " " Oil Packing (wick)
264614	16130	" " " Foot, 20 needle hole, with 200086F, for 264611
264613	16130	Vibrating Presser Foot, 23 needle hole, with 200086F, for 264611, for use with thread larger than No. 12
200086F	16130	Vibrating Presser Foot Pinch Screw

ACCESSORIES

No.	Plate	Name
264645	16127	Bobbin (5)
*225482	-----	" Case Screw Driver Blade
*225483	-----	" " " " Handle
225497	16142	Bobbin Case Screw Driver complete, Nos. 225482 and 225483
7 x 3	16130	Needles, six, size 24
264694	16142	Drip Pan with six 1 in. wire nails
41400	16142	Machine Rest Pin (wood)
120342	16142	Oiler (copper plated) with 120343
120343	16142	" Spout (3-1/2 in. long)
*225484	-----	Screw Driver Blade
*225485	-----	" " Handle
225498	16142	Screw Driver complete (7-1/4 in. long), Nos. 225484 and 225485
225554	16142	Wrench (steel)

BOBBIN WINDER

(SWINGING AUTOMATIC, RIGHT HAND)

259435	16135	Bobbin Holder with 201188C
201188C	16135	" " Set Screw
259316	16135	Frame with 202277 and 225438
225454	16135	" Hinge Pin
202277	16135	" Oil Packing (wick)
225438	16135	" " Well Cap
225455	16135	" Spring
225456	16135	" " Plunger
202473	16135	Pulley with 200380C
200380C	16135	" Set Screw
259436	16135	Spindle
225444	16135	Stop Latch
200056E	16135	" " Screw
225458	16135	" " Thumb Lever
225459	16135	" " " " Hinge Stud
225459	16135	" " " " Joint Stud
202478	16135	" " Trip Lever
200299H	16135	" " " " Hinge Screw
225461	16135	Tension Bracket with 201499B
200082D	16135	" " Screw
228026	16135	" " Washer
2102	16135	" Disc

No.	Plate	Name
202407	16135	Tension Spring
201499B	16135	" Stud
201572B	16135	" " Thumb Nut
225462	16135	Bobbin Winder Tension Bracket complete, Nos. 201572B, 202407, 225461 and two 2102
259328	16135	Bobbin Winder and Tension Bracket Base
259314	16135	Bobbin Winder complete, Nos. 200056E, 200082D, 200299H, 202473, 202478, 225444, 225454 to 225456, 225458, 225462, 228026 259316, 259328, 259435, 259436, two each 225459 and wood screws 3/4 in. No. 12, R. H. B.

FOOT LIFTER AND STARTING TREADLE

264529	15312	Foot Lifter Lever
236787	15312	" " " Chain, 57 in. long, with two 202784
202784	15312	Foot Lifter Lever Chain Hook
264530	15312	" " Treadle with two 356C
356C	15312	" " " Set Screw
264531	15312	Starting Treadle with two 356C
202468	15312	" " Pitman Rod (lower or upper)
204126	15312	Starting Treadle Pitman Rod Clamp with two 200530C
200530C	15312	Starting Treadle Pitman Rod Clamp Set Screw
227980	15312	Starting Treadle Pitman complete, Nos. 204126 and two 202468
356C	15312	Starting Treadle Set Screw
264532	15312	" " Shaft
264533	15312	" " " Lever with three 356C
356C	15312	" " " " Set Screw
264536	15312	" " Stand with two wood screws 1 in., No. 12
264534	15312	Foot Lifter and Starting Treadle complete, Nos. 227980, 236787, 264529 to 264533 and two 264536

(Other Foot Lifter parts are listed with parts of machine head.)

Genuine Singer Needles should be used
in Singer Machines.
These Needles and their Containers
are marked with the
Company's Trade Mark "SIMANCO." 1

Needles in Containers marked
"For Singer Machines"
are not Singer made needles. 2

NUMERICAL LIST OF PARTS

NUMERICAL LIST OF PARTS

No.	Plate	Name
356C	15312	Foot Lifter Treadle Set Screw, for 264530
356C	15312	Starting Treadle Set Screw, for 264531
356C	15312	" " Shaft Lever Set Screw, for 264533
742F	16134	Throat Plate Screw
1560C	16132	Tension Thumb Nut, for 264677
2102	16135	Bobbin Winder Tension Disc, for 225462
2102	16132	Tension Disc, for 264677
8702	16141	Arm Position Pin
32572	16132	Tension Release Disc, for 264677
41400	16142	Machine Rest Pin (wood)
50708E	16141	Arm Screw
54897	16138	Bed Oil Cup
120342	16142	Oiler (copper plated) with 120343
120343	16142	" Spout (7-1/2 in. long), for 120342
200006E	16128	Hook Saddle Screw
200009E	16128	" " Pinch Screw, for 223850
200019E	16139	Feed Driving Rock Shaft Crank Pinch Screw for 223652
200029E	16137	Lifting Eccentric Connection Crank Pinch Screw, for 240171
200029E	16137	Needle Bar Rock Frame Rock Shaft Crank Pinch Screw, for 223692
200032E	16131	Presser Bar Lifting Bracket Pinch Screw, for 264625
200039C	16137	Balance Wheel Set Screw, for 265059
200049D	16124	Feed Driving Connection Pinch Screw, for 264635
200053C	16138	Safety Clutch Locking Lever Spring Screw for 265042
200056E	16135	Bobbin Winder Stop Latch Screw, for 259314
200059C	16140	Thread Lubricating Cup Set Screw, for 226955
200061C	16132	Thread Controller Spring Stud Set Screw, for 264674
200071E	16137	Arm Shaft Bushing (back) Screw
200074F	16131	Lifting Presser Foot Screw, for 264690
200077D	16140	Arm Side Cover Screw
200082D	16135	Bobbin Winder Tension Bracket Screw, for 259314
200086C	16130	Needle Bar Connecting Stud Pinch Screw, for 265054

NUMERICAL LIST OF PARTS

No.	Plate	Name
200086F	16131	Presser Bar Position Guide Lever Pinch Screw, for 264627
200086C	16131	Presser Bar Spring Bracket Pinch Screw, for 210949
200086F	16130	Vibrating Presser Foot Pinch Screw, for 264613 and 264614
200098F	16130	Needle Bar Rock Frame Position Bracket Screw
200112F	16130	Needle Set Screw, for 264616
200118D	16128	Bobbin Case Opener Screw, for 265099
200126F	16132	Thread Retainer Bracket Arm Screw
200132E	16132	" Controller Spring Stop Screw, for 264677
200159F	16132	Tension Bracket Screw
200164B	16138	Arm Shaft Connection Belt Timing Plate Screw
200166H	16140	Arm Cover Screw
200173D	16139	Feed Lifting Cam Oiling Felt Screw, for 264637
200194E	16138	Bed Block (for Hook Saddle) Screw
200224H	16141	Presser Bar Spring Support Screw
200256C	16124	Feed Driving Eccentric Regulating Bracket Hinge Screw, for 237043
200256C	16124	Feed Driving Eccentric Regulating Bracket Stop Screw, for 237043
200268F	16141	Foot Lifter Lifting Lever Spring Screw
200278H	16137	Arm Cap Screw
200299H	16135	Bobbin Winder Stop Latch Trip Lever Hinge Screw, for 259314
200309E	16132	Tension Release Lever Screw, for 264677
200327C	16124	Arm Shaft Connection Belt Pulley Set Screw, for 224104
200335C	16130	Needle Bar Crank Set Screw, for 264619
200338C	16137	Arm Shaft Bushing (center) Set Screw
200338C	16137	" " " (front) Set Screw
200352C	16141	Foot Lifter Lifting Lever Hinge Stud Set Screw
200352C	16131	Presser Bar Bushing Set Screw
200352C	16131	" " Position Guide Set Screw
200354C	16138	Hook Driving Shaft Lock Ratchet Position Screw, for 265043
200357E	16137	Arm Shaft Oil Packing Stop Screw, for 264697
200362C	16138	Hook Driving Gear Set Screw, for 265053
200362C	16138	" " Shaft Lock Ratchet Set Screw, for 265043
200363C	16139	Feed Bar Crank Set Screw, for 264634
200363C	16138	Hook Driving Shaft Bushing Set Screw
200363C	16138	" Saddle Bearing Set Screw

NUMERICAL LIST OF PARTS

No.	Plate	Name
200363C	16130	Needle Bar Rock Frame Hinge Stud Set Screw
200363C	16130	Needle Bar Rock Frame Hinge Stud Set Screw Check Screw
200363C	16130	Take-up Lever Hinge Stud Set Screw
200364C	16128	Hook Bushing (lower) Set Screw, for 265098
200374C	16130	Needle Bar Connecting Link Stud Set Screw, for 264619
200380C	16135	Bobbin Winder Pulley Set Screw, for 202473
200382C	16140	Arm Cross Shaft Gear Set Screw, for 265075
200382C	16137	Hand Wheel Driving Gear Position Screw Check Screw
200382C	16137	Hand Wheel Driving Gear Set Screw, for 264689
200382C	16137	Hand Wheel Driving Gear Set Screw Check Screw
200382C	16128	Hook Driving Pinion Set Screw, for 240167
200382C	16137	Lifting Eccentric Set Screw, for 264609
200383C	16140	Arm Cross Shaft Bushing Set Screw
200383C	16140	" " " " " " Check Screw
200383C	16138	Arm Shaft Connection Belt Timing Collar Set Screw, for 264503
200383C	16124	Feed Driving Eccentric Regulating Bracket Flange Set Screw, for 224108
200383C	16124	Feed Driving Eccentric Regulating Screw Check Screw
200383C	16139	Feed Driving Rock Shaft Stop Collar Set Screw, for 202625
200383C	16138	Hook Driving Shaft Bushing Set Screw Check Screw
200383C	16138	Hook Saddle Bearing Set Screw Check Screw
200383C	16130	Needle Bar Crank Position Screw Check Screw
200383C	16130	Needle Bar Crank Set Screw Check Screw
200387C	16128	Bobbin Case Opener Lever Hinge Stud Set Screw Check Screw, for 265099
200387C	16137	Needle Bar Rock Frame Slide Block Screw Stud Set Screw, for 264622
200388C	16130	Needle Bar Connecting Link Stud Set Screw, for 264619
200396C	16139	Feed Bar Crank Position Screw, for 264634
200397H	16132	Thread Retainer Stud Set Screw, for 210956
200398C	16138	Arm Shaft Connection Belt Timing Collar Position Screw, for 264503

NUMERICAL LIST OF PARTS

No.	Plate	Name
200398C	16137	Lifting Eccentric Position Screw, for 264609
200403C	16128	Bobbin Case Opener Lever Hinge Stud Set Screw, for 265099
200428C	16130	Needle Bar Crank Position Screw, for 264619
200429C	16124	Feed Driving Eccentric Regulating Screw
200437C	16124	" " " " Bracket Flange Position Screw, for 224108
200446C	16128	Hook Bushing (upper) Position Screw, for 265098
200502B	16137	Arm Shaft Bushing (front) Oil Packing Thumb Screw
200530C	15312	Starting Treadle Pitman Rod Clamp Set Screw, for 204126
200533B	16141	Face Plate Thumb Screw
200570E	16141	Bed Hinge Connection Screw
200577XC	16140	Hand Wheel Engaging Plate Screw, for 265072
200583H	16127	Hook Needle Guard Screw, for 265092
200583H	16130	Needle Bar Thread Guide Screw, for 264616
200583H	16132	Thread Guide Screw, for 264677
200583H	16132	" Retainer Screw
200597F	16127	Bobbin Case Tension Spring Screw, for 265090
200602E	16124	Arm Shaft Connection Belt-Pulley Position Screw, for 224104
200607C	16124	Feed Driving Eccentric Regulating Bracket Plunger Spring Stop Screw
200833C	16124	Needle Bar Rock Frame Rock Shaft Crank Connection Hinge Screw
200917C	16137	Hand Wheel Driving Gear Position Screw, for 264689
200962C	16138	Safety Clutch Locking Lever Spring Adjusting Screw, for 265036
200975F	16131	Presser Bar Lifting Bracket Guide Screw
200983F	16127	Bobbin Case Tension Spring Regulating Screw, for 265090
200996C	16137	Lifting Bell Crank Cap Screw
201052C	16141	Foot Lifter Lifting Lever Latch Collar Set Screw, for 227224
201052C	16141	Foot Lifter Lifting Lever Latch Handle Set Screw, for 265014
201052C	16141	Foot Lifter Lifting Lever Latch Spring Adjusting Collar Set Screw, for 265027
201052C	16132	Thread Controller Stud Set Screw, for 264681

NUMERICAL LIST OF PARTS

No.	Plate	Name
201054F	16140	Hand Wheel Screw, for 265072
201141C	16137	Needle Bar Rock Frame Slide Block Screw Stud, for 210920
201171C	16124	Feed Driving Connection Hinge Screw
201188C	16135	Bobbin Winder Bobbin Holder Set Screw, for 259435
201220C	16140	Arm Cross Shaft Gear Position Screw, for 265075
201220C	16138	Feed Lifting Cam Set Screw, for 224154
201220C	16128	Hook Driving Pinion Position Screw, for 240167
201253F	16127	Hook Gib Section Screw, for 265092
201254C	16138	" Driving Gear Position Screw, for 265053
201254C	16138	Safety Clutch Hook Driving Shaft Position Collar Set Screw, for 265032
201280C	16140	Thread Lubricating Cup Oil Pad (upper) Tension Screw Stud, for 236955
201349C	16128	Bobbin Case Opener Lever Driving Screw Stud, for 265087
201491E	16134	Feed Dog Screw
201499B	16135	Bobbin Winder Tension Stud, for 225461
201517E	16124	Feed Driving Connection Hinge Screw Nut
201518E	16139	" Bar Hinge Screw Nut
201522E	16124	Needle Bar Rock Frame Rock Shaft Crank Connection Hinge Screw Nut
201524E	16137	Lifting Bell Crank Link Screw Stud Nut, for 264615
201525E	16124	Feed Driving Eccentric Regulating Bracket Hinge Screw Nut, for 237043
201525E	16124	Feed Driving Eccentric Regulating Bracket Stop Screw Nut, for 237043
201535E	16132	Thread Controller Thread Guide Nut, for 264677
201542C	16128	Bobbin Case Opener Lever Driving Screw Stud Nut, for 265087
201572B	16135	Bobbin Winder Tension Stud Thumb Nut, for 225462
201572B	16140	Thread Lubricating Cup Oil Pad (upper) Tension Thumb Nut, for 236963
*202056	-----	Bobbin Case Latch Pin, for 265090
202135	16141	Face Plate Position Pin
202244	16137	Arm Shaft Bushing (back) Oil Packing (wick), for 264641
202244	16137	Arm Shaft Bushing (front) Oil Packing (wick), for 207080
202244	16138	Hook Driving Shaft Bushing (back) Oil Packing (wick), for 224111

NUMERICAL LIST OF PARTS

No.	Plate	Name
202248	16137	Arm Cap Screw Washer
202253	16124	" Shaft Connection Belt Pulley Spring Flange,for 224104
202253	16138	Safety Clutch Pulley Spring Flange,for 265036
202258	16141	Bed Hinge Connection
202260	16140	Arm Cross Shaft Bushing Oil Packing (wick),for 265074
202260	16137	Arm Shaft Bushing (center) Oil Packing (wick),for 265048
202277	16128	Bobbin Case Opener Lever Hinge Stud Oil Packing (wick),for 265088
202277	16135	Bobbin Winder Frame Oil Packing (wick), for 259316
202277	16124	Feed Driving Connection Hinge Screw Oil Packing (wick)
202277	16130	Needle Bar Rock Frame Hinge Stud Oil Packing (wick),for 210910
202277	16124	Needle Bar Rock Frame Rock Shaft Crank Connection Oil Packing (wick),for 264638
202277	16130	Take-up Lever Driving Stud Oil Packing (wick),for 264629
202277	16130	Vibrating Presser Bar Oil Packing (wick)
202301	16124	Feed Driving Eccentric Regulating Bracket Plunger
202330	16124	Feed Driving Connection Oil Packing (wick),for 264635
202330	16130	Needle Bar Connecting Stud Oil Packing (wick),for 265054
202400	16130	Take-up Lever Hinge Stud with 202423
202407	16135	Bobbin Winder Tension Spring,for 225462
202412	16132	Thread Guide
202423	16130	Take-up Lever Hinge Stud Oil Packing (wick),for 202400
202443	16137	Feed Regulating Spindle Head Pin,for 264696
202468	15312	Starting Treadle Pitman Rod (lower or upper),for 227980
202473	16135	Bobbin Winder Pulley with 200380C,for 259314
202478	16135	Bobbin Winder Stop Latch Trip Lever,for 259314
202619	16137	Feed Regulating Spindle Head Position Pin,for 264696
202625	16139	Feed Driving Rock Shaft Stop Collar with two 200383C
202666	16130	Needle Bar Rock Frame Position Bracket

NUMERICAL LIST OF PARTS

No.	Plate	Name
202668	16137	Needle Bar Rock Frame Slide Block,for 210920
202784	15312	Foot Lifter Lever Chain Hook,for 236787
203101	16128	Bobbin Case Opener Lever Driving Screw Stud Oil Packing (wick),for 265087
203172	16130	Needle Bar Crank Friction Washer
204126	15312	Starting Treadle Pitman Rod Clamp with two 200530C,for 227980
207072	16131	Presser Bar Bushing (upper)
207080	16137	Arm Shaft Bushing (front) with 202244
210910	16130	Needle Bar Rock Frame Hinge Stud with 202277
210920	16137	Needle Bar Rock Frame Slide Block 202668 with 201141C,for 264622
210949	16131	Presser Bar Spring Bracket with 200086C Nos.210956 to 210958,for 210959
210956	16132	Thread Retainer Bracket with 200397H
210957	16132	" " Stud
210958	16132	" " " Collar
210959	16132	Thread Retainer complete,Nos.210956 to 210958,210993 and 223844
210993	16132	Thread Retainer Sleeve,for 210959
222598	16130	Needle Bar Connecting Link Stud Oil Packing (wick),for 264667
222712	16140	Thread Lubricating Cup Oil Pad (upper) Tension Spring,for 236963
223436	16132	Tension Spring,for 264677
223652	16139	Feed Driving Rock Shaft Crank with 200019E
223655	16139	Feed Lifting Cam Oiling Felt,for 264637
223681	16138	Hook Saddle Bearing
223692	16137	Needle Bar Rock Frame Rock Shaft Crank with 200029E
223811	16141	Bed Slide (back) Stop
223812	16141	" " " Spring
223844	16132	Thread Retainer Spring,for 210959
223850	16128	Hook Saddle with 200009E,for 265098
224002	16137	Arm Cap
224019	16128	Hook Bushing (lower) (bronze),for 265098
224022	16128	" Driving Pinion Thrust Washer,for 265099
224104	16124	Arm Shaft Connection Belt Pulley with 200327C,200602E and two 202253
224108	16124	Feed Driving Eccentric Regulating Bracket Flange with 200383C and 200437C, for 237043
224111	16138	Hook Driving Shaft Bushing (back) with 202244
224139	16138	Arm Shaft Connection Belt Timing Plate

NUMERICAL LIST OF PARTS

No.	Plate	Name
224154	16138	Feed Lifting Cam with 201220C
224392	16137	Arm Shaft Oil Packing (wick),for 264697
225004	16141	Presser Bar Spring Support Screw Washer
225438	16135	Bobbin Winder Frame Oil Well Cap,for 259316
225444	16135	Bobbin Winder Stop Latch,for 259314
		Nos.225454 to 225456,for 259314
225454	16135	Bobbin Winder Frame Hinge Pin
225455	16135	" " " Spring
225456	16135	" " " Plunger
225458	16135	" " Stop Latch Thumb Lever,for 259314
225459	16135	Bobbin Winder Stop Latch Thumb Lever Hinge Stud,for 259314
225459	16135	Bobbin Winder Stop Latch Thumb Lever Joint Stud,for 259314
225461	16135	Bobbin Winder Tension Bracket with 201499B,for 225462
225462	16135	Bobbin Winder Tension Bracket complete, Nos.201572B,202407,225461 and two 2102,for 259314
*225462	-----	Bobbin Case Screw Driver Blade,for 225497
*225483	-----	Bobbin Case Screw Driver Handle,for 225497
*225484	-----	Screw Driver Blade,for 225498
*225485	-----	" " Handle,for 225498
225497	16142	Bobbin Case Screw Driver complete,Nos. 225482 and 225483
225498	16142	Screw Driver complete (7-1/4 in.long), Nos.225484 and 225485
225554	16142	Wrench (steel)
225585	16128	Hook Saddle Screw Washer
225837	16139	Feed Lifting Cam Fork Screw Washer
227116	16141	Foot Lifter Lifting Lever Latch Spring Adjusting Collar,for 265027
227224	16141	Foot Lifter Lifting Lever Latch Collar with 201052C
227980	15312	Starting Treadle Pitman complete,Nos. 204126 and two 202468,for 264534
228026	16135	Bobbin Winder Tension Bracket Screw Washer,for 259314
232719	16140	Hand Wheel Engaging Collar Pin,for 265072
236787	15312	Foot Lifter Lever Chain,57 in.long,with two 202784,for 264534
236955	16140	Thread Lubricating Cup with 200059C and 201280C,for 236963

NUMERICAL LIST OF PARTS

No.	Plate	Name
236957	16140	Thread Lubricating Cup Oil Pad (felt), for 236961 and 236963
236959	16140	Thread Lubricating Cup Oil Pad (upper) Reinforcing Plate,for 236961
236961	16140	Thread Lubricating Cup Oil Pad (upper) complete,Nos.236957 and 236959,for 236963
236962	16140	Thread Lubricating Cup Thread Guide,for 236963
236963	16140	Thread Lubricating Cup complete,Nos. 201572B,222712,236955,236961,236962 and three 236957
237043	16124	Feed Driving Eccentric Regulating Bracket 237521 with 224108,two each 200256C and 201525E
237521	16124	Feed Driving Eccentric Regulating Bracket,for 237043
237523	16124	Feed Driving Eccentric Regulating Bracket Plunger Spring
237529	16138	Hook Driving Shaft Bushing (front)
238089	16132	Tension Release Lever Guide Pin,for 264674
240167	16128	Hook Driving Pinion (spiral) with 200382C and 201220C,for 265099
240171	16137	Lifting Eccentric Connection Crank with 200029E and 248821
240172	16141	Presser Bar Spring (flat)
240174	16137	Lifting Rock Shaft Bushing,for 264639
241535	16131	Presser Bar Bushing (lower)
248251	16128	Bobbin Case Opener Lever Link,for 265099
248423	16138	Hook Driving Shaft Lock Stud Cotter Pin, for 265046
248425	16138	Hook Driving Shaft Lock Stud Spring,for 265046
248821	16137	Lifting Eccentric Connection Crank Oil Packing (wick),for 240171
259314	16135	Bobbin Winder complete,Nos.200056E, 200082D,200299H,202473,202478,225444, 225454 to 225456,225458,225462,228026 259316,259328,259435,259436,two each 225459 and wood screws 3/4 in.No.12, R.H.B.
259316	16135	Bobbin Winder Frame with 202277 and 225438,for 259314
259328	16135	Bobbin Winder and Tension Bracket Base, for 259314
259435	16135	Bobbin Winder Bobbin Holder with 201188C for 259314
259436	16135	Bobbin Winder Spindle,for 259314

NUMERICAL LIST OF PARTS

No.	Plate	Name
264503	16138	Arm Shaft Connection Belt Timing Collar with 200383C and 200398C
264518	16141	Foot Lifter Lifting Lever Pin, for 264606
264519	16141	" " " " Spring
		Nos. 264529 to 264533, for 264534
264529	15312	Foot Lifter Lever
264530	15312	" " Treadle with two 356C
264531	15312	Starting Treadle with two 356C
264532	15312	" " Shaft
264533	15312	" " " Lever with three 356C
264534	15312	Foot Lifter and Starting Treadle complete, Nos. 227980, 236787, 264529 to 264533 and two 264536
264536	15312	Starting Treadle Stand with two wood screws 1 in., No. 12, for 264534
264602	16124	Arm Shaft Connection Belt
264603	16141	Bed Slide (back)
264604	16141	" " (front)
264606	16141	Foot Lifter Lifting Lever with 264518
264607	16137	Lifting Bell Crank
264608	16137	" " " Link
264609	16137	" Eccentric with 200382C and 200398C
264610	16137	" " Connection
264611	16131	" Presser Foot
264613	16130	Vibrating Presser Foot, 23 needle hole, with 200086F, for 264611, for use with thread larger than No. 12
264614	16130	Vibrating Presser Foot, 30 needle hole, with 200086F, for 264611
264615	16137	Lifting Rock Shaft with 201524E and 350172C
264616	16130	Needle Bar with 200112F, 200583H and 264623
264617	16130	Needle Bar Connecting Link
264619	16130	" " Crank with 200335C, 200374C, 200388C, 200428C and 264667
264620	16130	Needle Bar Rock Frame
264622	16137	" " " Rock Shaft with 200387C and 210920
264623	16130	Needle Bar Thread Guide, for 264616
264625	16131	Presser Bar Lifting Bracket with 200032E
264626	16131	" " Position Guide
264627	16131	" " " Lever with 200086F
264628	16130	Take-up Lever
264629	16130	" " Driving Stud with 202277
264630	16130	Vibrating Presser Bar
264631	16137	" " " Connecting Link

NUMERICAL LIST OF PARTS

No.	Plate	Name
264632	16129	Feed Bar
264634	16139	" " Crank with 200362C and 200396C
264635	16124	" Driving Connection with 200049D and 202330
264636	16139	Feed Driving Rock Shaft
264637	16139	" Lifting Cam Fork with 200172D and 223655
264638	16124	Needle Bar Rock Frame Rock Shaft Crank Connection with 202277
*264639	-----	Arm with two 240174
264641	16137	" Shaft Bushing (back) with 202244
264644	16138	Bed Block (for Hook Saddle)
264645	16127	Bobbin
		Nos. 264647 to 264650, for 265090
264647	16127	Bobbin Case Latch
264648	16127	" " " Flunger
264649	16127	" " " Spring
264650	16127	" " Oiling Felt
*264657	-----	Feed Regulating Spindle Head, for 264696
264667	16130	Needle Bar Connecting Link Stud with 222598, for 264619
264674	16132	Tension Bracket with 200061C, 238089 and 350392C, for 264677
264675	16132	Tension Release Lever, for 264677
264676	16131	" " " Rod
264677	16132	Tension Bracket complete, Nos. 1560C, 32572, 200132E, 200309E, 201535E, 223438 264674, 264675, 264678, 264681 to 264685 264695, 265076, 265077, two 2102 and four 200583H
264678	16132	Thread Controller Disc, for 264677
		Nos. 264681 to 264685, for 264677
264681	16132	Thread Controller Spring Stud with 201052C
264682	16132	Thread Controller Stud
264683	16132	" " Thread Guide
264684	16132	" Guide (upper)
264685	16132	" " (lower)
264687	16134	Feed Dog, 38 elongated needle hole, for needle sizes 25 and 26
264689	16137	Hand Wheel Driving Gear with 200382C and 200917C
264690	16131	Presser Bar with 200074F
264693	16134	Throat Plate
264694	16142	Drip Pan with six 1 in. wire nails
264695	16132	Tension Release Plunger, for 264677
264696	16137	Feed Regulating Spindle with 202443, 202619 and 264657
264697	16137	Arm Shaft with 200357E and 224392

NUMERICAL LIST OF PARTS

No.	Plate	Name
*264698	-----	Bed
264699	16141	Foot Lifter Lifting Lever Latch
264700	16138	Hook Driving Shaft
265003	16140	Arm Cover
265005	16140	" Side Cover
265006	16140	" " " Gasket
265012	16141	Foot Lifter Lifting Lever Hinge Stud
265014	16141	" " " " Latch Handle with two 201052C
265015	16141	Foot Lifter Lifting Lever Latch Spring
265027	16141	" " " " " Ad- Justing Collar 227116 with 201052C
265032	16138	Safety Clutch Hook Driving Shaft Posi- tion Collar with two 201254C,for 265042
265036	16138	Safety Clutch Pulley with 200962C and 202253,for 265042
265041	16138	Safety Clutch Locking Lever Spring (for heavy duty),for 265042
265042	16138	Safety Clutch (for heavy duty) complete, Nos.200053C,265032,265036,265041, 265050 to 265052,265056,265057 and 350433C
265043	16138	Hook Driving Shaft Lock Ratchet with 200354C and 200362C
265044	16138	Hook Driving Shaft Lock Stud,for 265046
265045	16138	" " " " " Socket,for 265046
265046	16138	Hook Driving Shaft Lock Stud complete, Nos.248423,248425,265044 and 265045
265048	16137	Arm Shaft Bushing (center) with 202260 Nos.265050 to 265052,for 265042
265050	16138	Safety Clutch Locking Lever Connecting Link
265051	16138	Safety Clutch Throw-in Latch Spring
265052	16138	" " " " Pin
265053	16138	Hook Driving Gear (spiral) with 200362C and 201254C
265054	16130	Needle Bar Connecting Stud with 202330 and two 200086C
265056	16138	Safety Clutch Locking Lever,for 265042
265057	16138	" " Throw-in Latch,for 265042
265059	16137	Balance Wheel (belt groove 6-3/4 in. diam.) with two 200039C
265060	16141	Presser Bar Spring (auxiliary)
265066	16128	Bobbin Case Opener,for 265099
265067	16140	Hand Wheel,for 265072
265068	16140	" " Disengaging Spring,for 265072

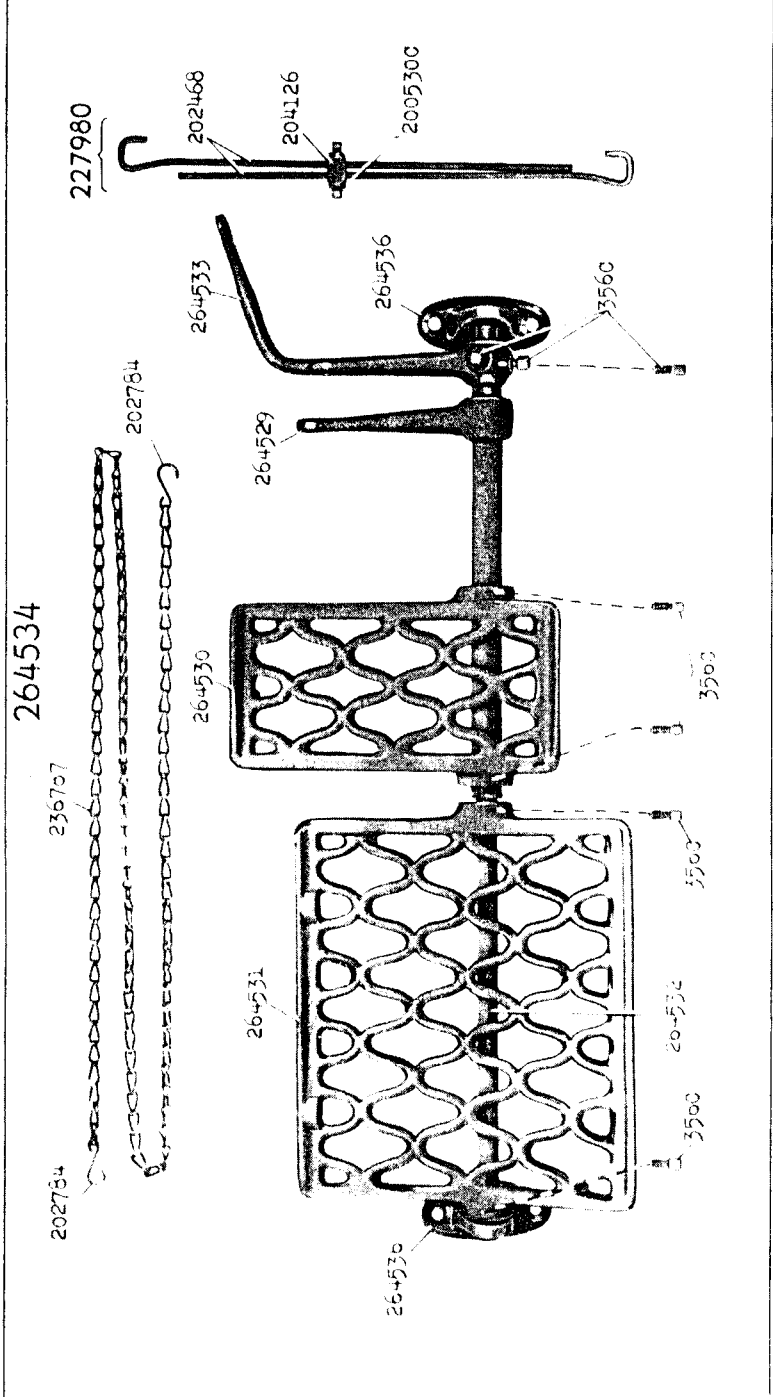
NUMERICAL LIST OF PARTS

No.	Plate	Name
265069	16140	Hand Wheel Disengaging Spring Plunger, for 265072
265070	16140	Hand Wheel Engaging Collar,for 265072
265071	16140	" " " Plate,for 265072
265072	16140	Hand Wheel complete,Nos.201054F,232719, 265067,265070,265071,265073 to 265075 350419H,three each 265068,265069 and four 200577XC Nos.265073 to 265075,for 265072
265073	16140	Arm Cross Shaft
265074	16140	" " " Bushing with 202260
265075	16140	" " " Gear with 200382C and 201220C
265076	16132	Thread Controller Spring,for 264677
265077	16132	" " " Stop,for 264677
*265086	-----	Bobbin Case,for 265090
265087	16128	" " Opener Lever with 201349C, 201542C and 203101,for 265099
265088	16128	Bobbin Case Opener Lever Hinge Stud with 202277,for 265099
265089	16127	Bobbin Case Tension Spring,for 265090
265090	16127	Bobbin Case complete,Nos.200597F,200983F 202056,264647 to 264650,265086 and 265089,for 265093
*265091	16127	Hook,for 265092
265092	16127	" 265091 with 265095 to 265097,two 200583H and four 201253F,for 265093
265093	16127	Hook and Bobbin Case complete,Nos.265090 and 265092,for 265099
265094	16128	Hook Bushing (upper) (bronze),for 265098 Nos.265095 to 265097,for 265092
265095	16127	Hook Gib Section (long)
265096	16127	" " " (short)
265097	16127	" Needle Guard
265098	16128	" Saddle 223850 with 200364C,200446C, 224019 and 265094,for 265099
265099	16128	Hook Saddle complete,Nos.200118D,200387C 200403C,224022,240167,248251,265066, 265087,265088,265093 and 265098
265100	16134	Feed Dog,30 needle hole,for needle size 27,for use with thread larger than No.12
265318	16141	Face Plate
265331	16132	Thread Controller Spring (heavy),for use with thread larger than No.12
265335	16132	Thread Retainer Bracket Arm
350172C	16137	Lifting Bell Crank Link Screw Stud,for 264615
350157E	16139	Feed Lifting Cam Fork Screw

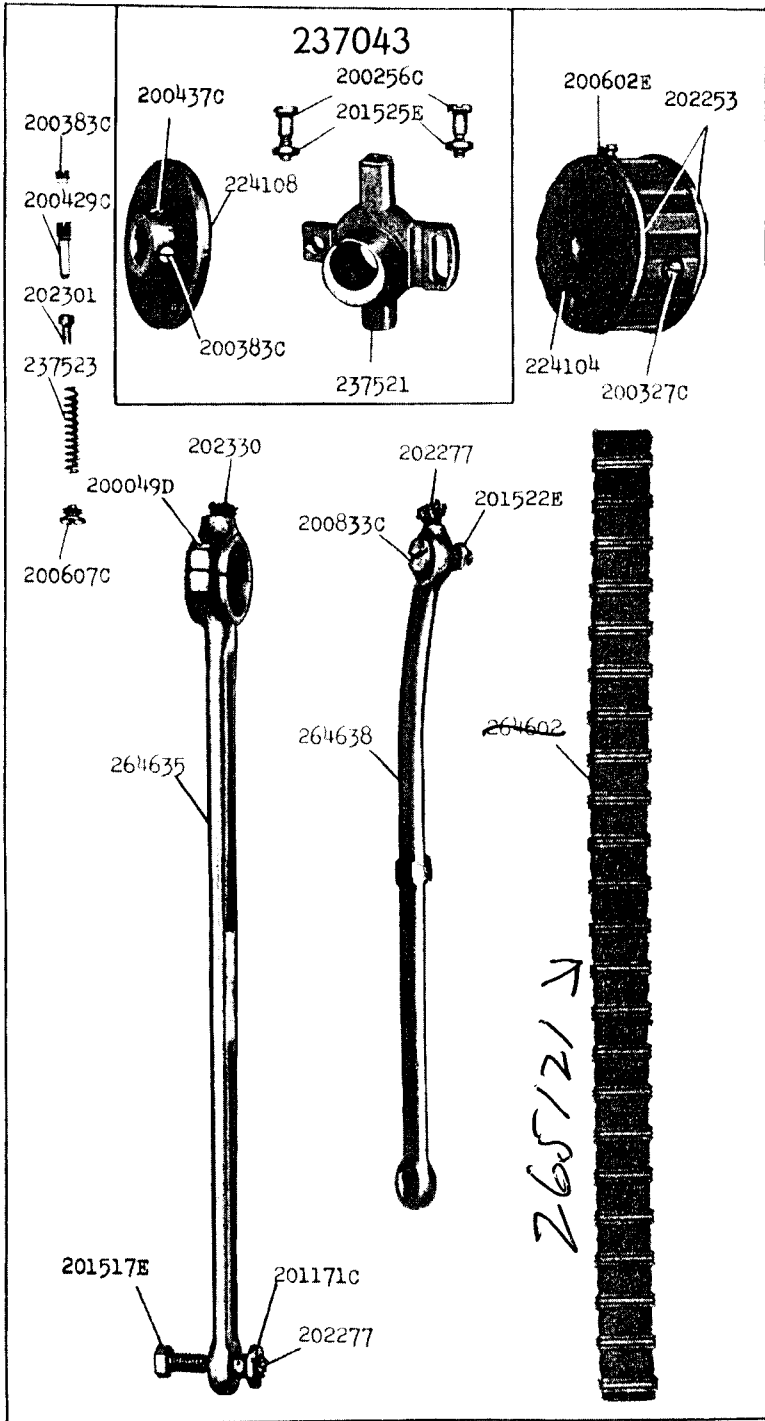
NUMERICAL LIST OF PARTS

No.	Plate	Name
350381C	16141	Presser Bar Spring Regulating Screw
350392C	16132	Tension Stud, for 264674
350393C	16139	Feed Bar Hinge Screw (driving)
350419H	16140	Arm Cross Shaft Gear Adjusting Screw, for 265072
350433C	16138	Safety Clutch Locking Lever Hinge Screw, for 265042

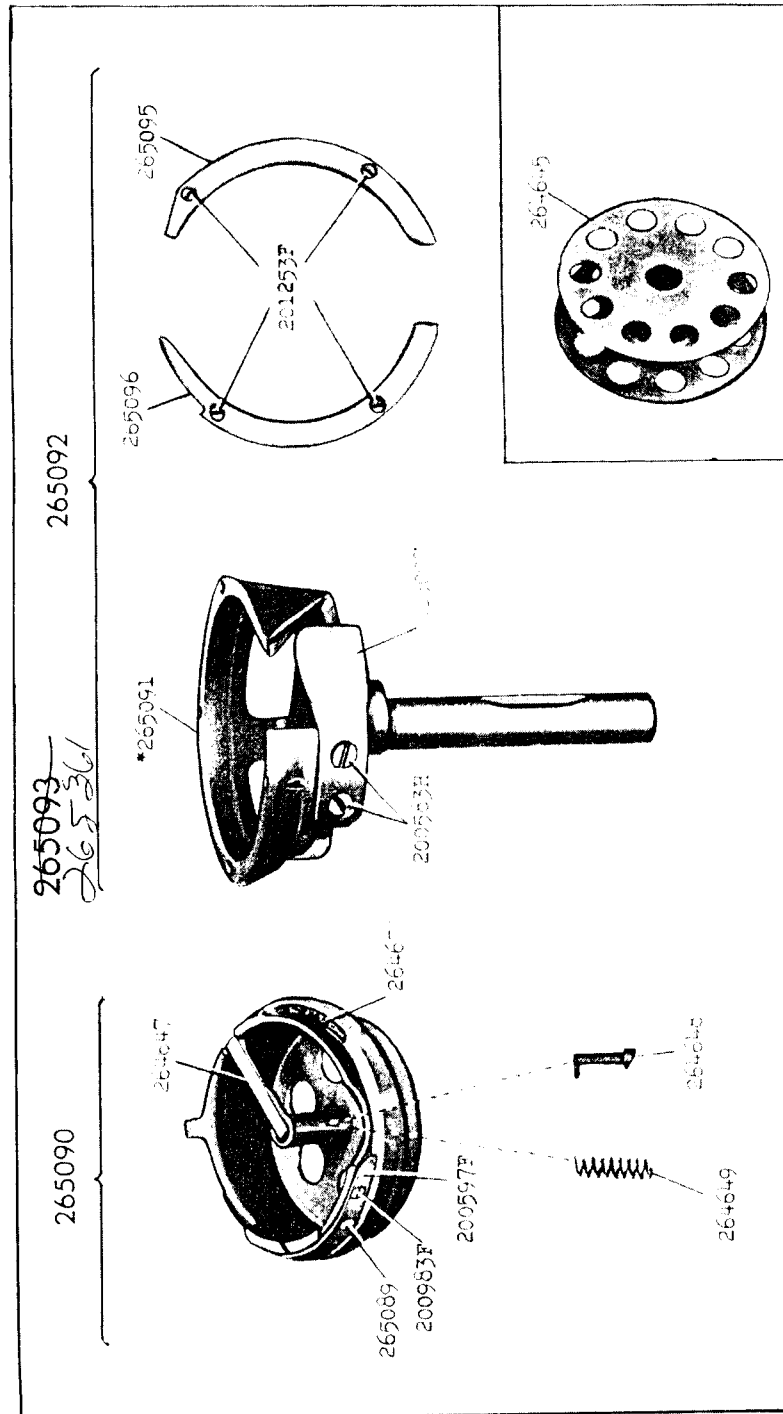
ILLUSTRATIONS
OF
PARTS



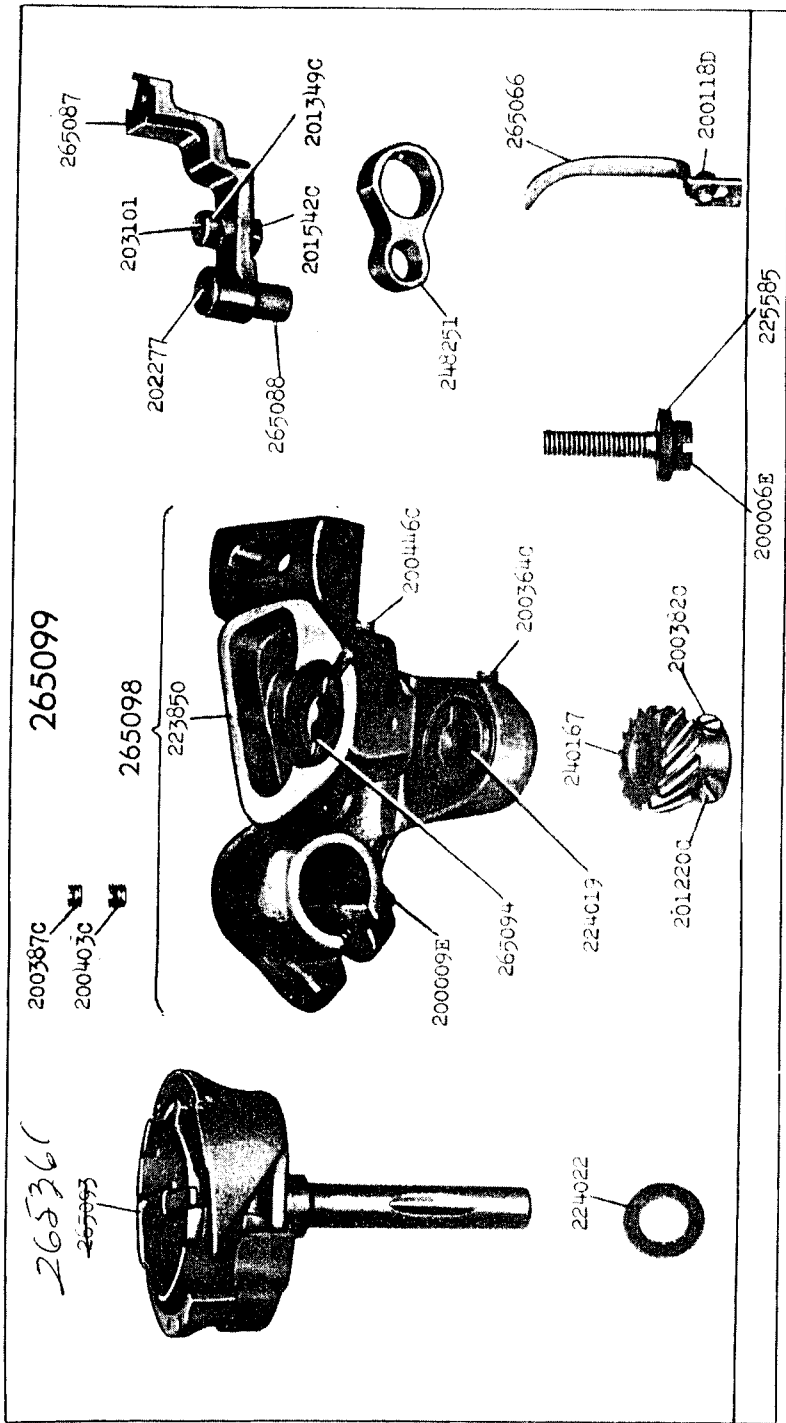
16124 - 3/8



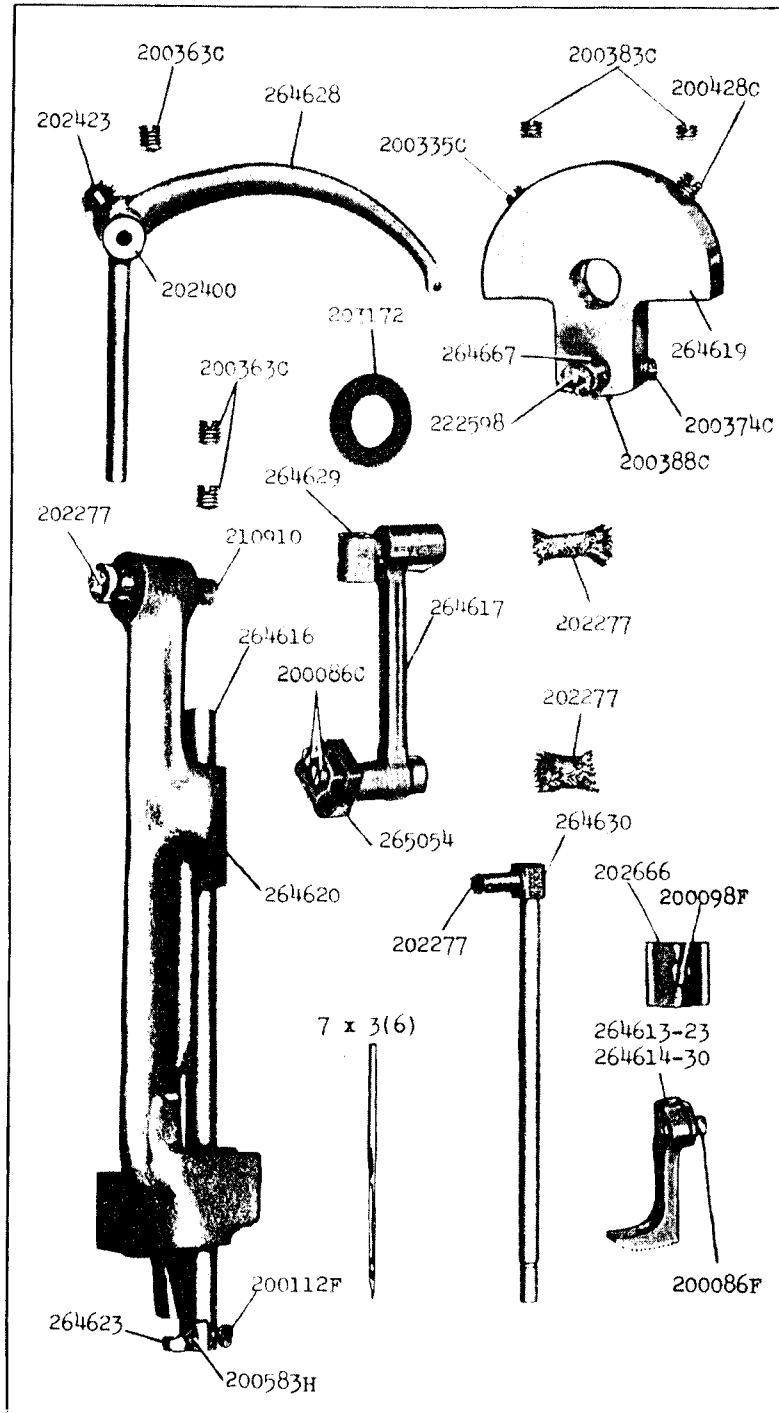
16127 - 3/4



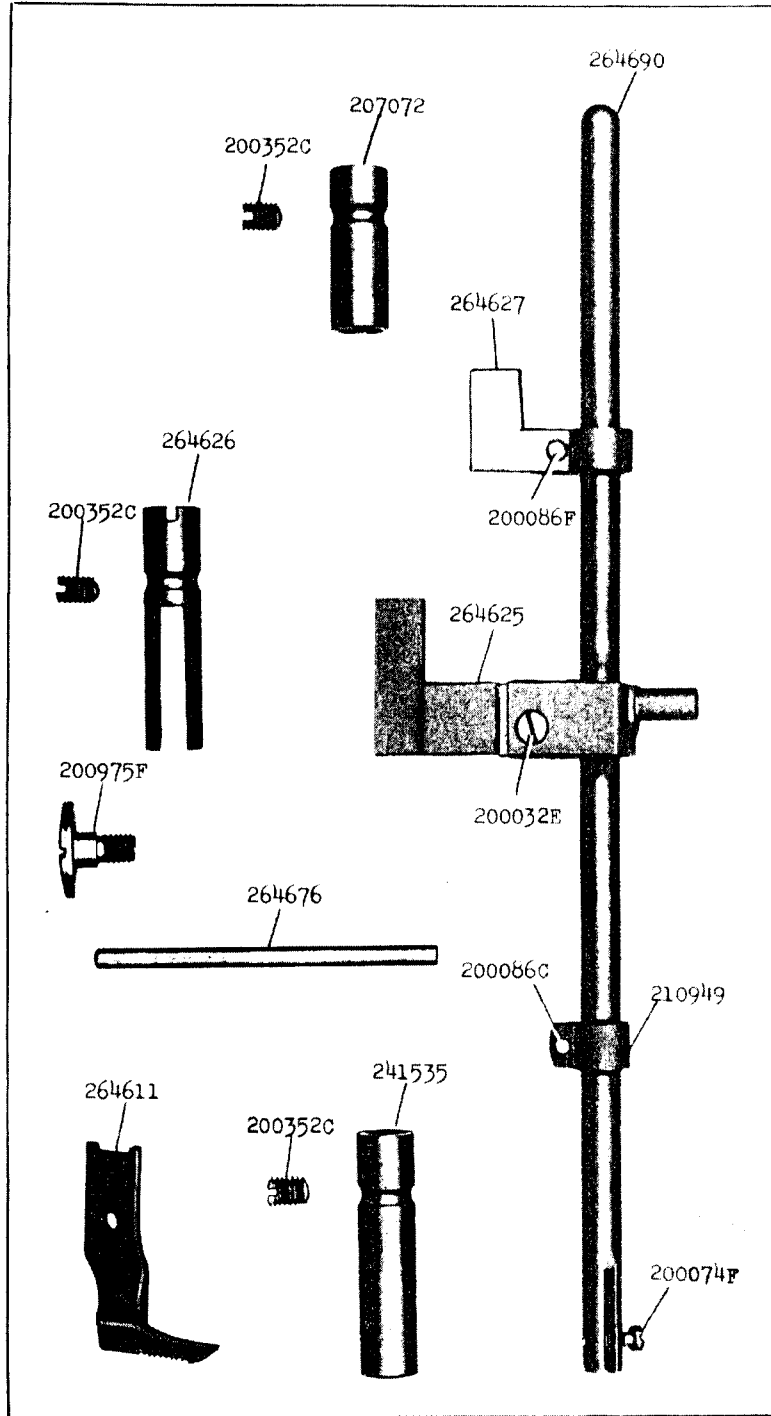
16128 - 5/8



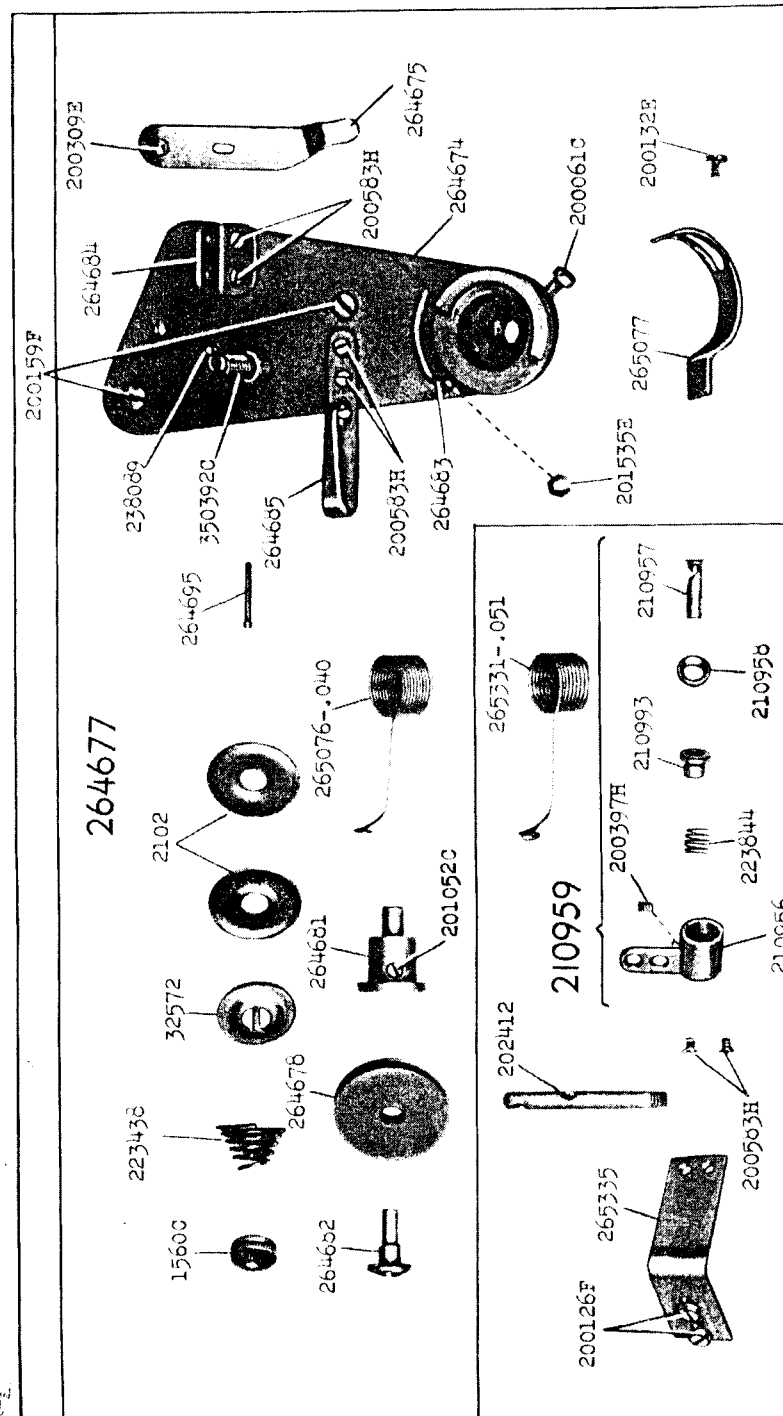
16130 - 1/2



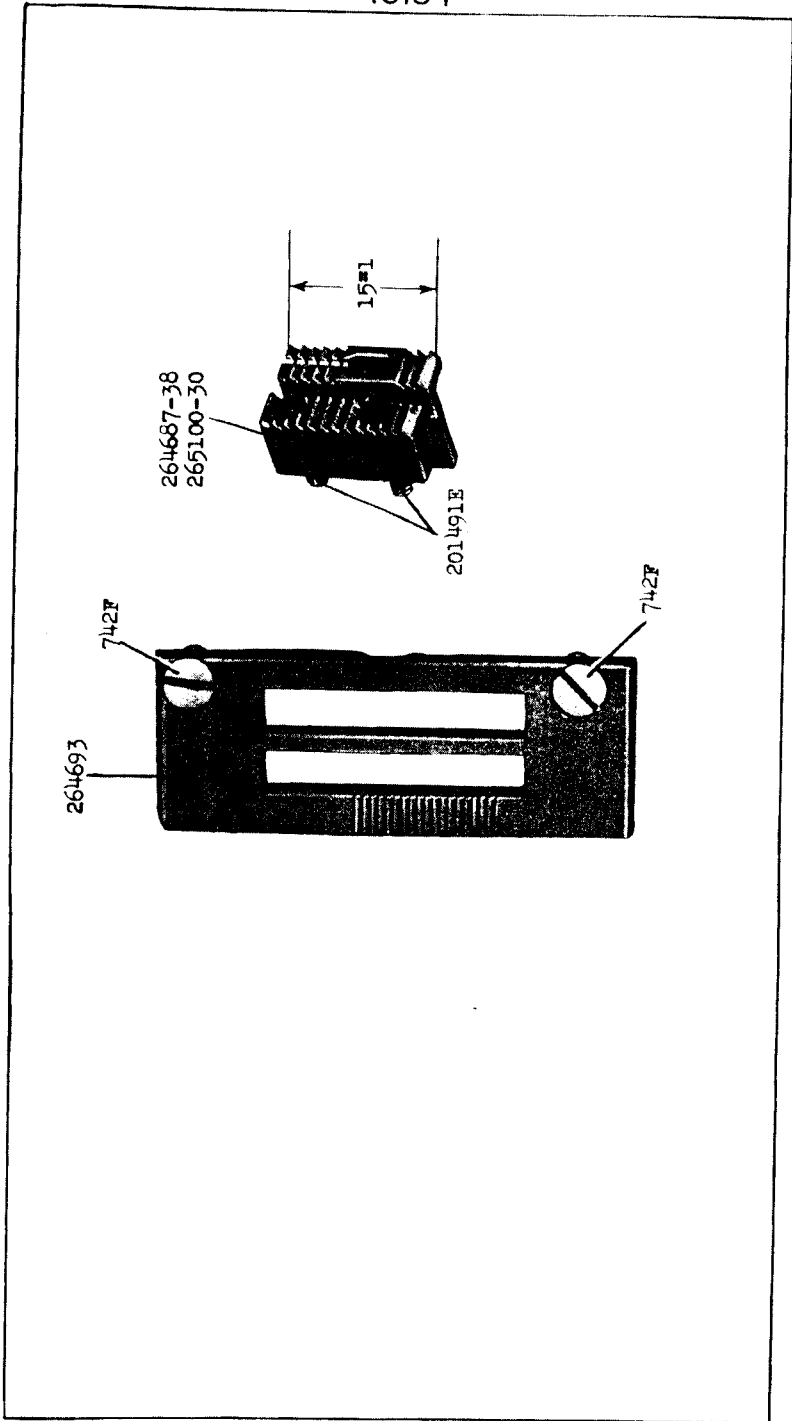
16131 - 5/8



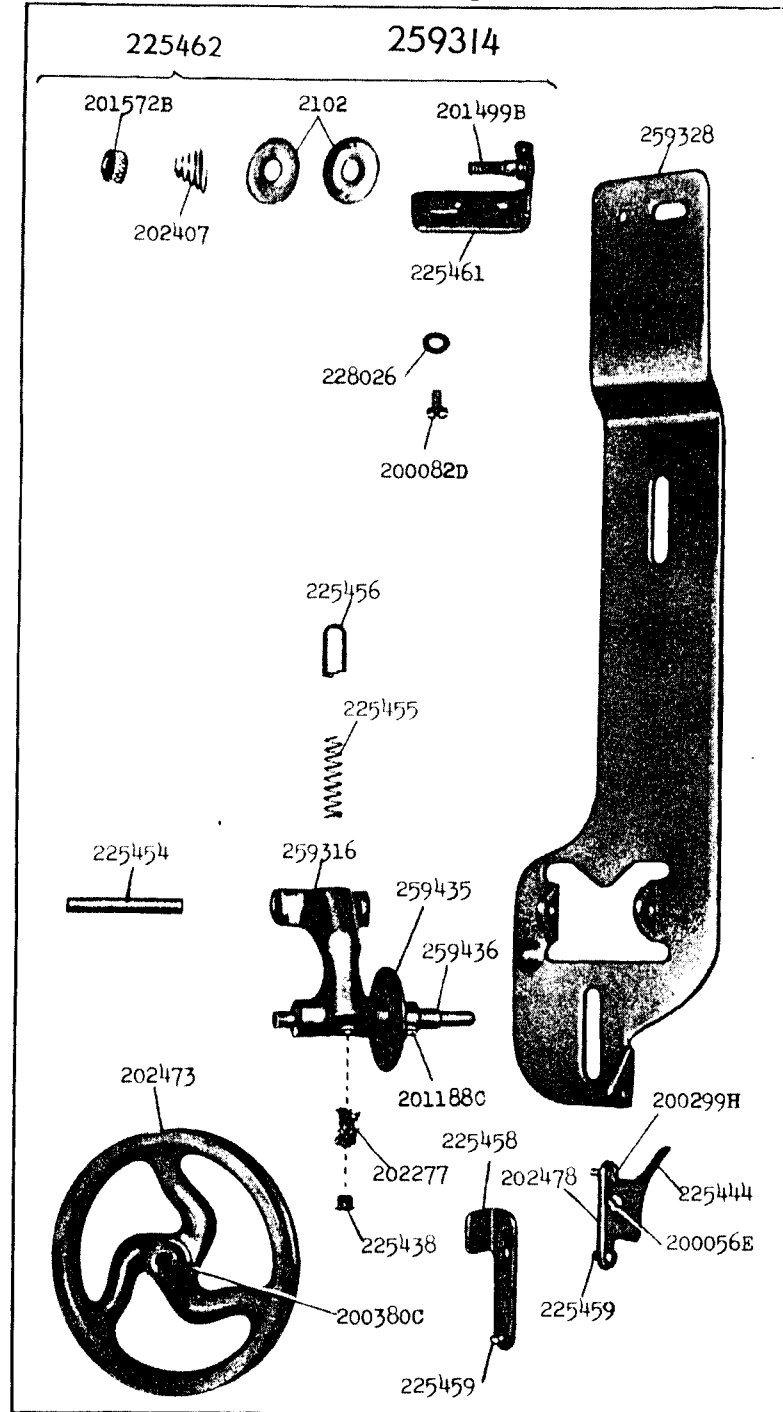
16132 - 1/2

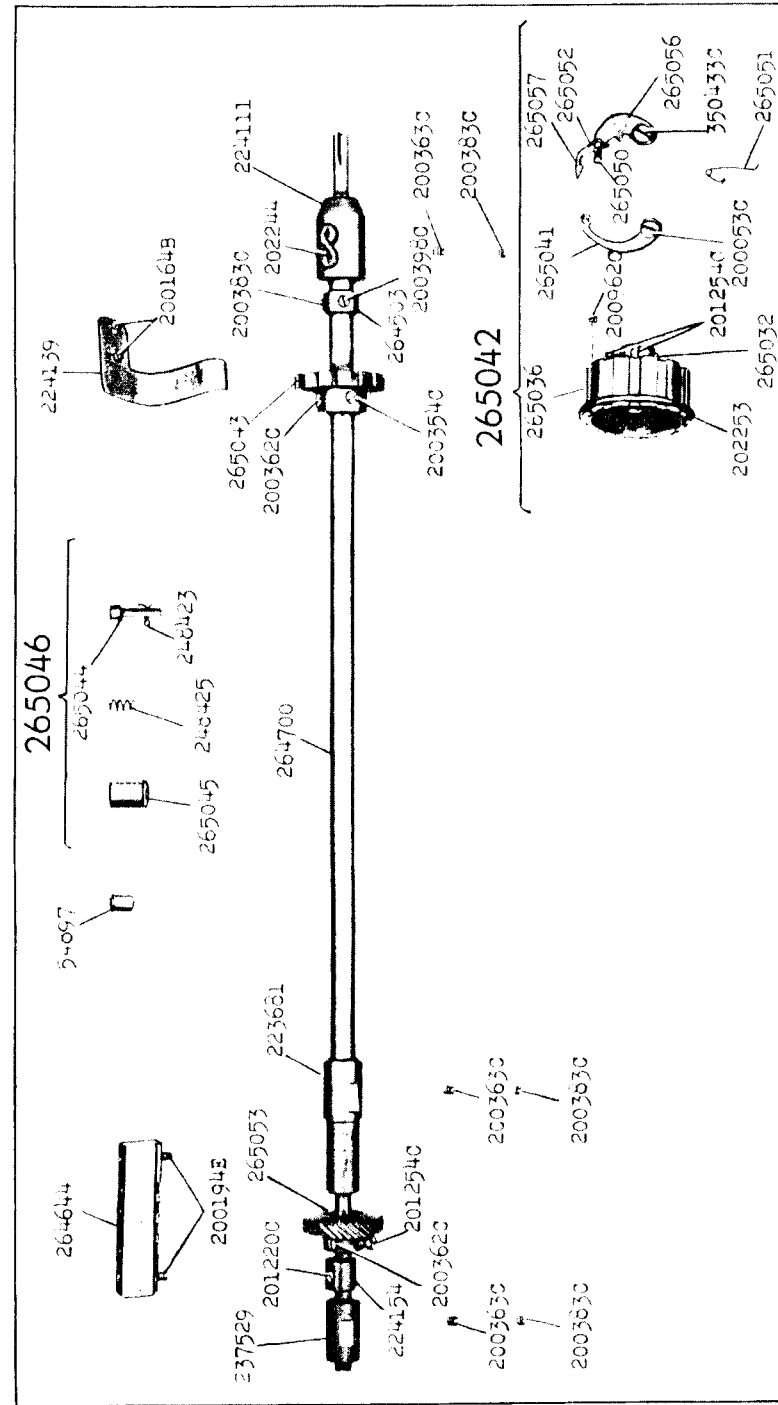
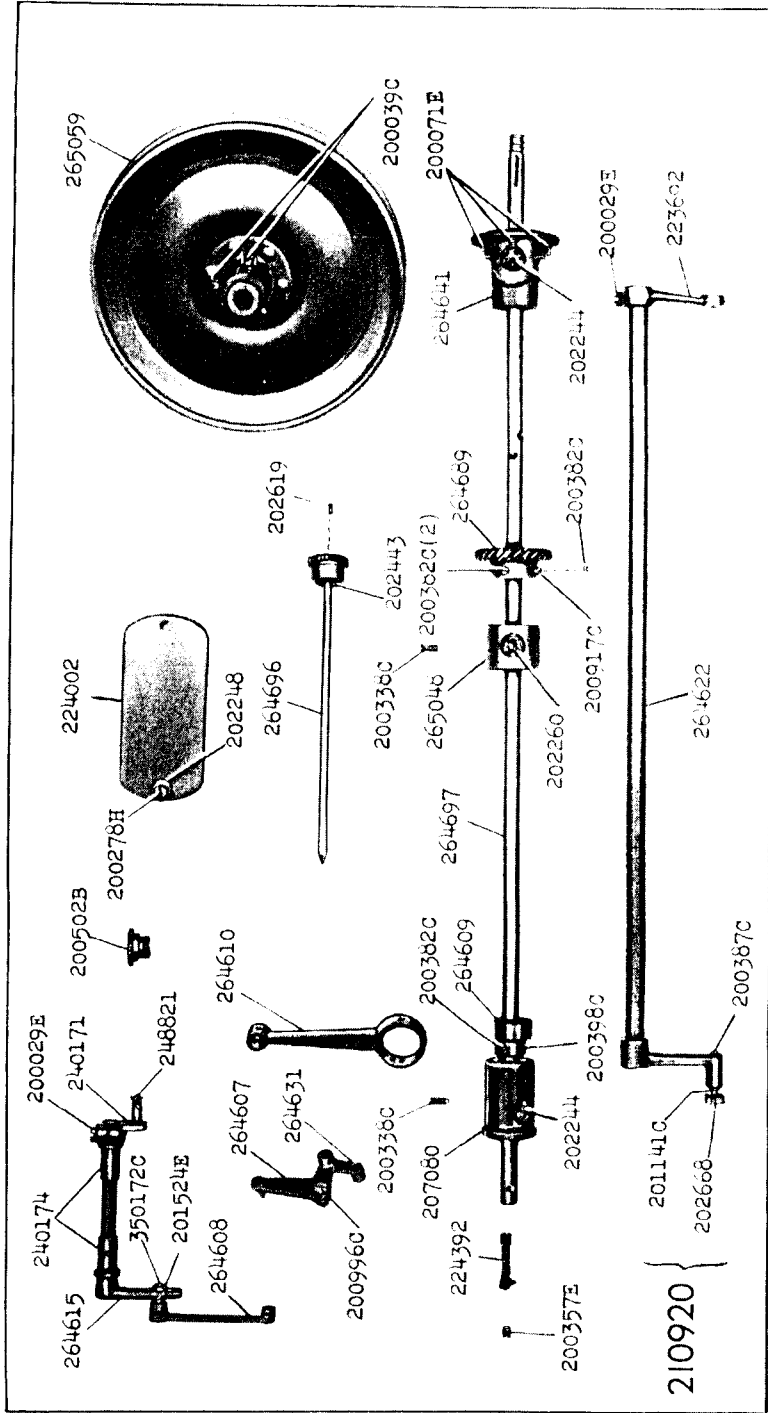


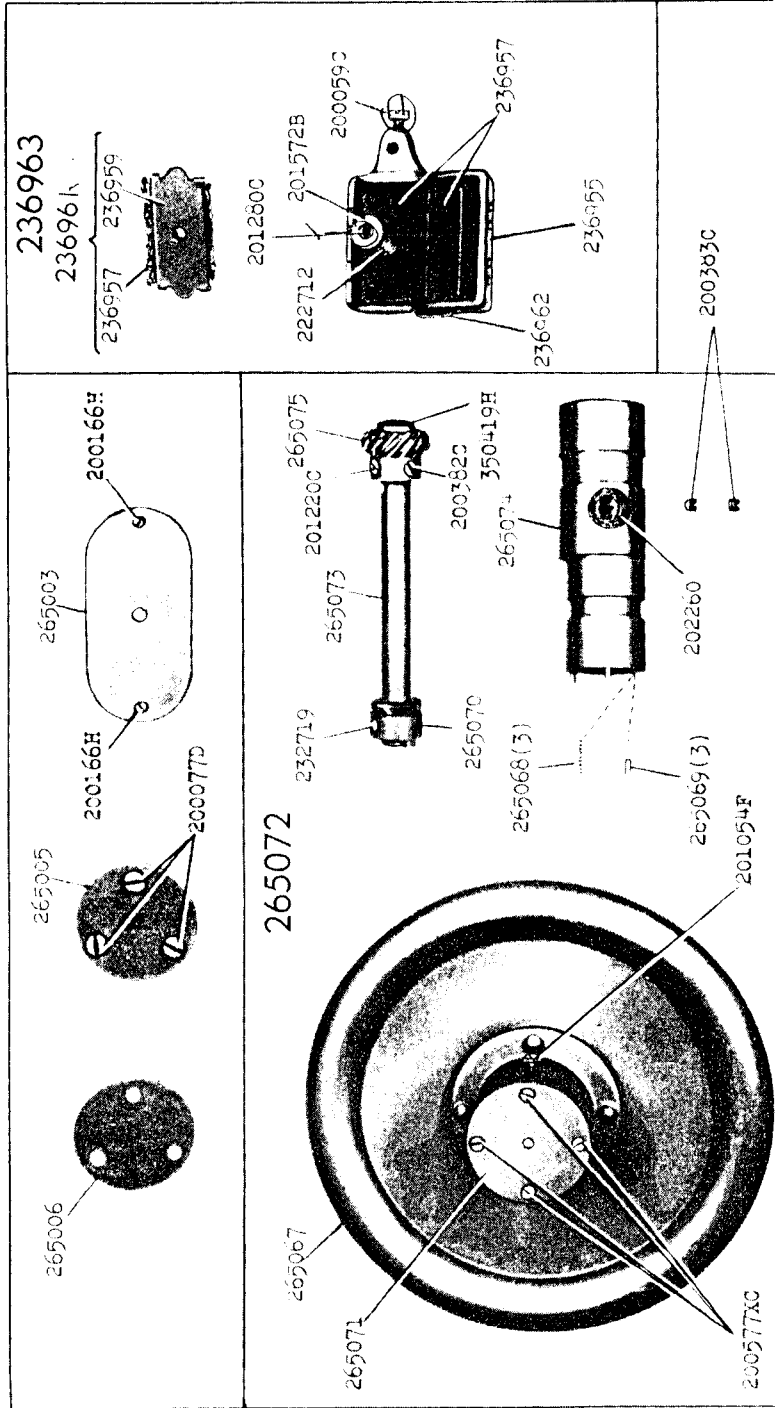
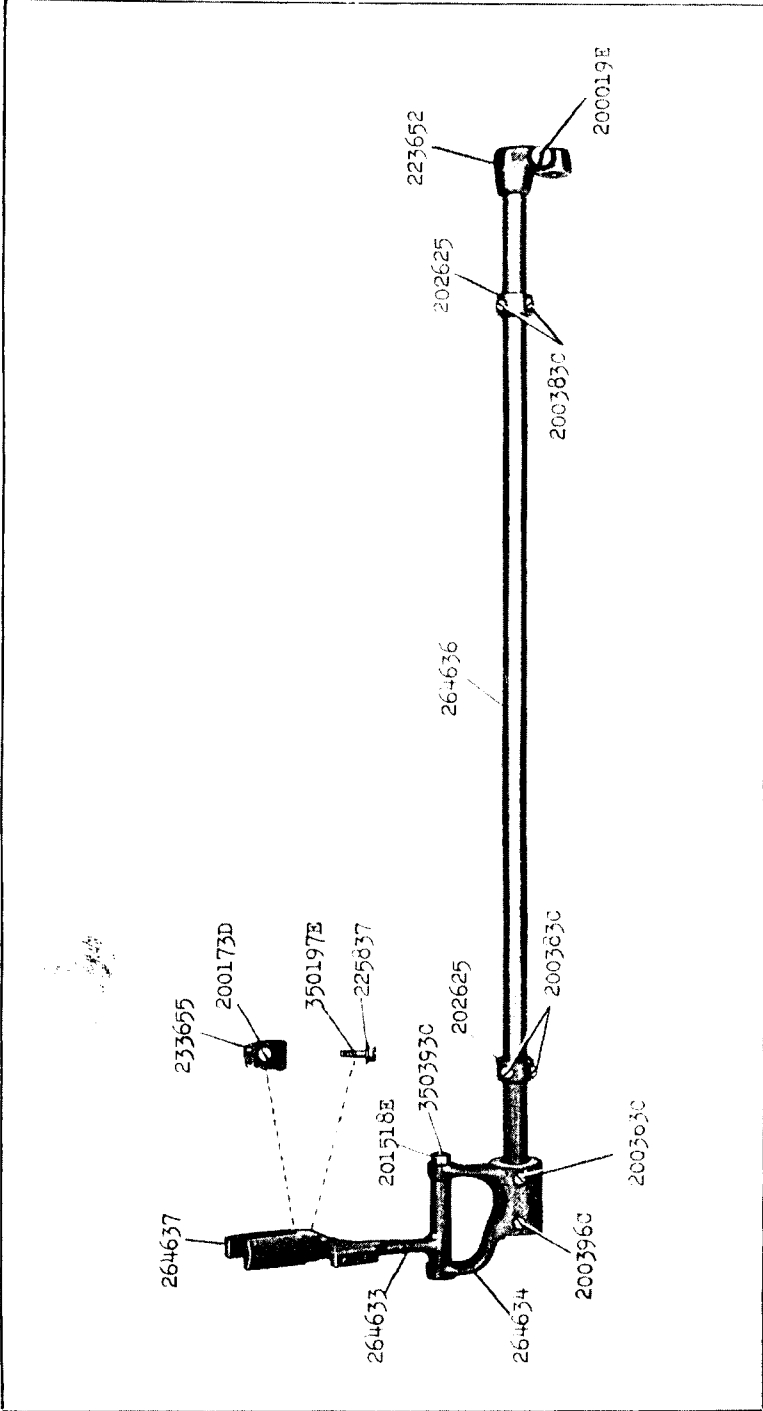
16134

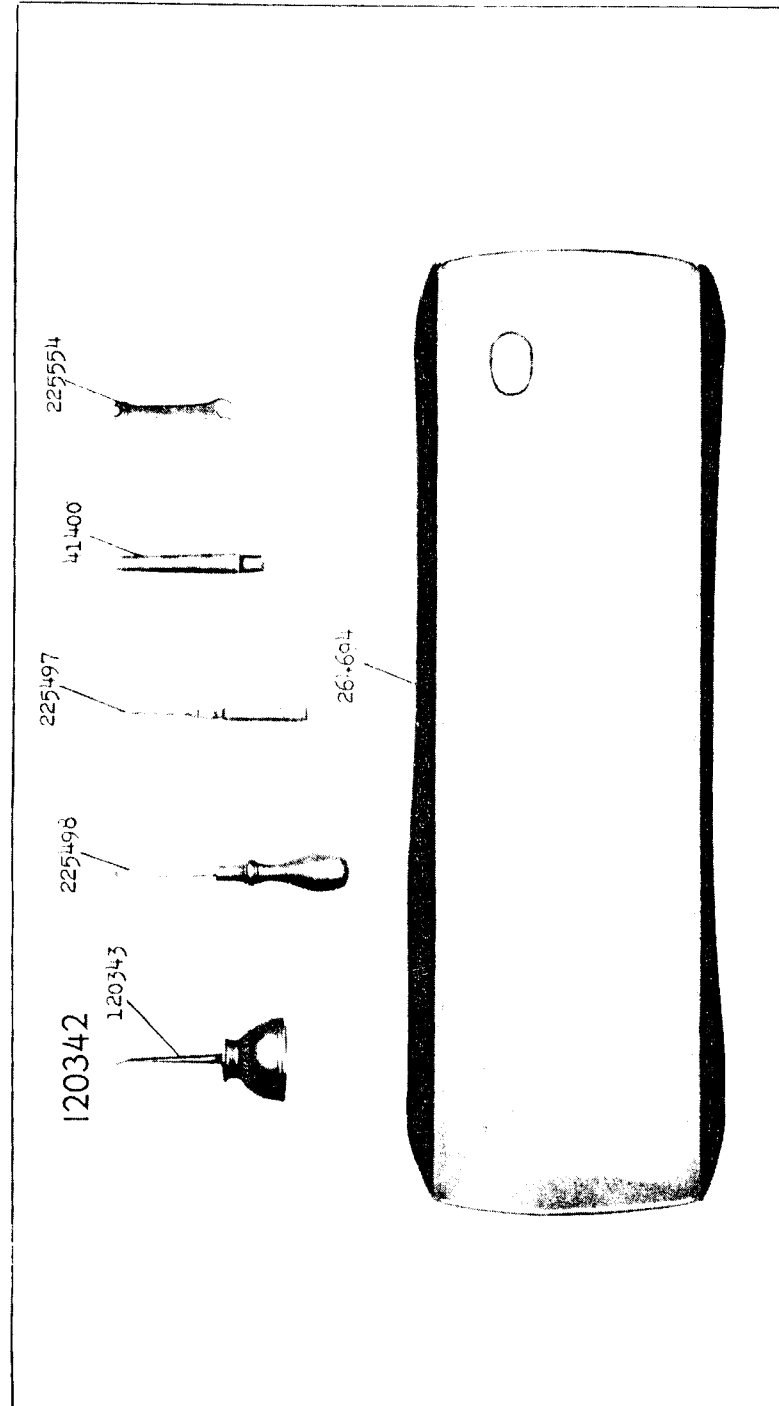
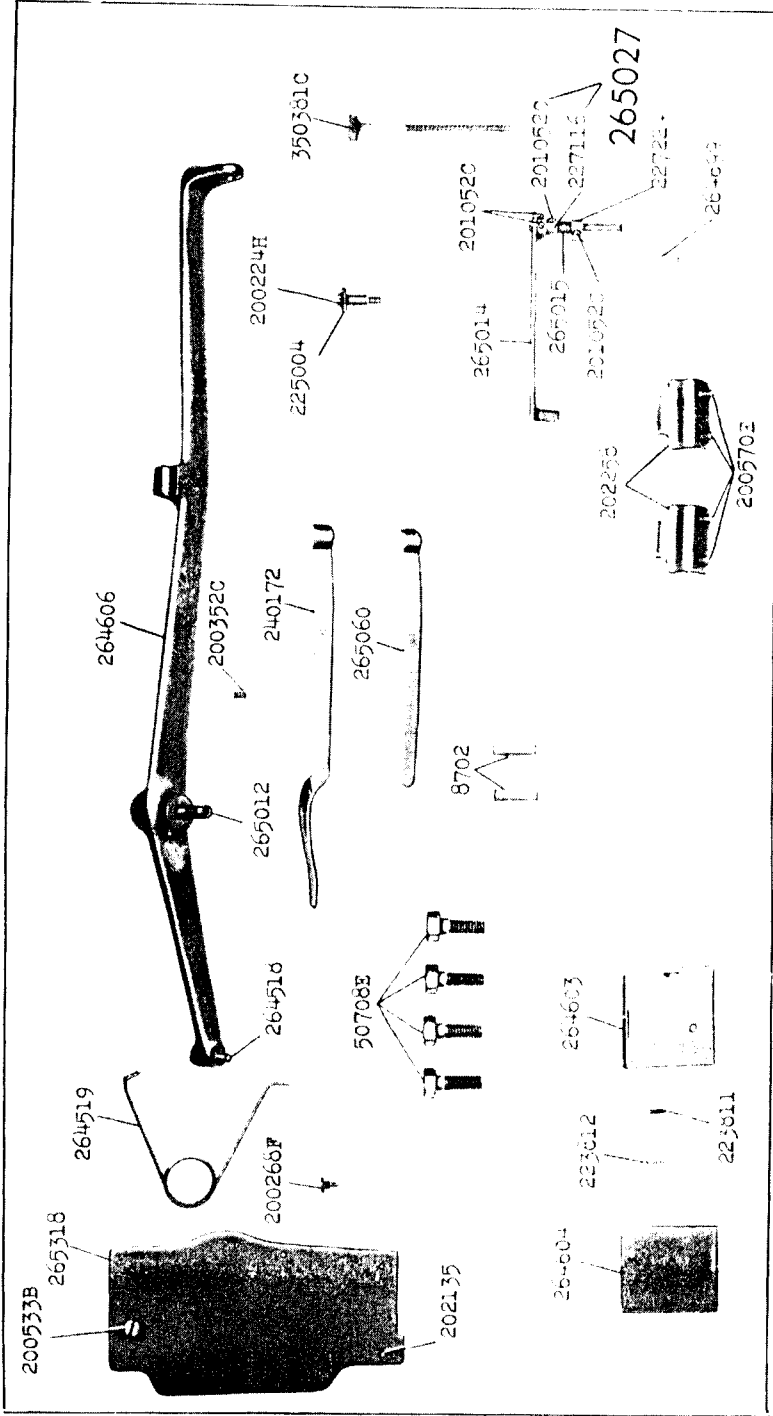


16135 - 3/8









Free Manuals Download Website

<http://myh66.com>

<http://usermanuals.us>

<http://www.somanuals.com>

<http://www.4manuals.cc>

<http://www.manual-lib.com>

<http://www.404manual.com>

<http://www.luxmanual.com>

<http://aubethermostatmanual.com>

Golf course search by state

<http://golfingnear.com>

Email search by domain

<http://emailbydomain.com>

Auto manuals search

<http://auto.somanuals.com>

TV manuals search

<http://tv.somanuals.com>