

SHARP®

HAND MIXER OPERATION MANUAL BATIDORA DE MANO MANUAL DE INSTRUCCIONES

MODEL MODELO

EM-H5DW

CONTENTS



• For Customer Assistance	1
• Consumer Limited Warranty	2
• Important Safeguards	3
• Part Names	4
• Specifications	4
• How to Use	5
• Cleaning and Care	6
• Recipes	6-7

INDICE

• Normas de seguridad importantes	8
• Nombres de las partes	9
• Especificaciones	9
• Utilización	10
• Limpieza y cuidados	11
• Recetas	11-12

READ ALL INSTRUCTIONS CAREFULLY BEFORE USING THE MIXER.
LEA TODAS LAS INSTRUCCIONES COMPLETAMENTE ANTES DE UTILIZAR EL BATIDORA.

We suggest recording all the information listed below and saving the original sales receipt for future reference.

Please provide the following information when you write or call: model number, date of purchase, your complete mailing address (including zip code), your daytime telephone number (including area code) and description of the problem.

MODEL NUMBER _____	
DATE OF PURCHASE _____	
DEALER _____	TELEPHONE _____

TO PHONE:

DIAL 1-800-BE-SHARP (237-4277) for:

SERVICE INFORMATION

ADDITIONAL CUSTOMER INFORMATION

TO WRITE:

Sharp Electronics Corporation

Customer Assistance Center

1300 Naperville Drive

Romeoville, IL 60446-1091

TO ACCESS INTERNET: www.sharp-usa.com

SHARP ELECTRONICS CORPORATION warrants to the first consumer purchaser that this Sharp brand product (the "Product"), when shipped in its original container, will be free from defective workmanship and materials, and agrees that it will, at its option, either repair the defect or replace the defective Product or part thereof with a new or remanufactured equivalent at no charge to the purchaser for parts or labor for the period(s) set forth below.

This warranty does not apply to any appearance items of the Product nor to the additional excluded item(s) set forth below nor to any Product the exterior of which has been damaged or defaced, which has been subjected to improper voltage or other misuse, abnormal service or handling, or which has been altered or modified in design or construction.

In order to enforce the rights under this limited warranty, the purchaser should follow the steps set forth below and provide proof of purchase to the servicer.

The limited warranty described herein is in addition to whatever implied warranties may be granted to purchasers by law. ALL IMPLIED WARRANTIES INCLUDING THE WARRANTIES OF MERCHANTABILITY AND FITNESS FOR USE ARE LIMITED TO THE PERIOD(S) FROM THE DATE OF PURCHASE SET FORTH BELOW. Some states do not allow limitations on how long an implied warranty lasts, so the above limitation may not apply to you.

Neither the sales personnel of the seller nor any other person is authorized to make any warranties other than those described herein, or to extend the duration of any warranties beyond the time period described herein on behalf of Sharp.

The warranties described herein shall be the sole and exclusive warranties granted by Sharp and shall be sole and exclusive remedy available to the purchaser. Correction of defects, in the manner and for the period of time described herein, shall constitute complete fulfillment of all liabilities and responsibilities of Sharp to the purchaser with respect to the Product, and shall constitute full satisfaction of all claims, whether based on contract, negligence, strict liability or otherwise. In no event shall Sharp be liable, or in any way responsible, for any damages or defects in the Product which were caused by repairs or attempted repairs performed by anyone other than an authorized servicer. Nor shall Sharp be liable or in any way responsible for any incidental or consequential economic or property damage. Some states do not allow the exclusion of incidental or consequential damages, so the above exclusion may not apply to you.

THIS WARRANTY GIVES YOU SPECIFIC LEGAL RIGHT. YOU MAY ALSO HAVE OTHER RIGHTS WHICH VARY FROM STATE TO STATE.

Your Product Model Number EM-H5DW Hand Mixer
& Description: (Be sure to have this information available when you request service for your Product.)

Warranty Period for this Product: One (1) year parts from the date of purchase.

Additional Item(s) Excluded from Flat Beaters, Wire Beaters, and Dough Hooks
Warranty Coverage :

What to do to Obtain Service: Exchange service is available in the United States from Sharp. Call Sharp at 1-800-BE-SHARP to obtain a Return Authorization and shipping instructions. Be sure to have **Proof of Purchase** available.

To Obtain Supplies, Accessories or Product Information, call
1-800-BE-SHARP or Visit www.Sharp-usa.com.

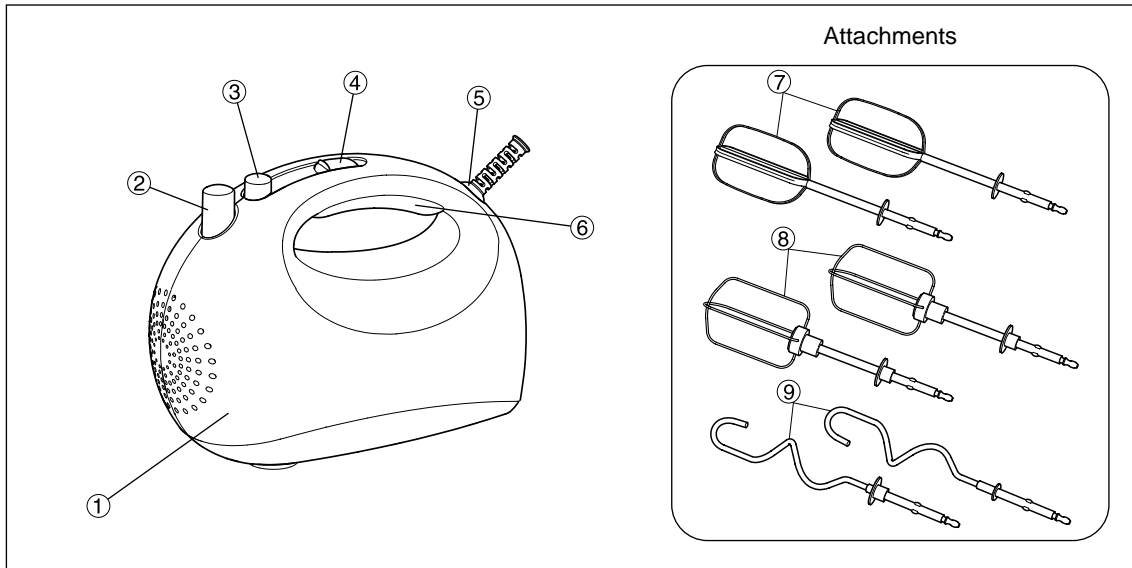
When using electrical appliances, basic safety precautions should always be followed, including the following:

1. Read all instructions.
2. To protect against risk of electrical shock, do not put body, cord or plug in water or other liquid.
3. Close supervision is necessary when the mixer is used by or near children.
4. Unplug from outlet when not in use, before putting on or taking off parts and before cleaning.
5. Avoid contacting moving parts.
6. Keep hands, hair, clothing, as well as spatulas and other utensils away from beaters/dough hooks during operation to reduce the risk of injury to persons and/or damage to the mixer.
7. Do not operate the mixer with a damaged cord or plug or after the mixer malfunctions or is dropped or damaged in any manner.
Call 1-800-BE-SHARP(237-4277) for service information.
8. The use of accessory attachments not recommended or sold by SHARP may cause fire, electric shock or injury.
9. Do not use outdoors.
10. Do not let cord hang over edge of table or counter or touch hot surfaces.
11. Remove beaters/dough hooks from the mixer before washing.
12. Check that control is off before plugging cord into outlet.
13. Unplug before inserting or removing beaters or dough hooks.
14. Do not use the mixer for other than intended use.
15. Never add to container while appliance is operating.
16. Container must be properly in place before operating appliance.

SAVE THESE INSTRUCTIONS and the Operation Manual

This product is intended for household use only.

This mixer has a polarized plug (one blade is wider than the other). To reduce the risk of electric shock, this plug is intended to fit into a polarized outlet only one way. If the plug does not fit fully into the outlet, reverse the plug. If it still does not fit, contact a qualified electrician. Do not attempt to modify the plug in any way.



- 1 Body
- 2 Eject Button
- 3 Power Boost Button
- 4 Speed Control (ON/OFF) Switch
- 5 Rotating Swivel Cord

- 6 Cushioned Handle
- 7 Flat Beaters
- 8 Wire Beaters
- 9 Dough Hooks

ATTACHMENT:	DESCRIPTION
Flat Beaters:	For general mixing purposes
Wire Beaters:	For whipping cream
Dough Hooks:	For kneading light dough

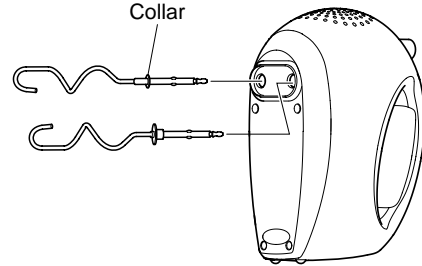
Rated Voltage:	120V, 60Hz, AC only
Power Consumption:	180W
Outside Dimensions:	8"(W) x 3 11/16" (D) x 6"(H)
Weight (not including weight of attachments):	Approx. 2.2 lb

BEFORE USING

Before using the mixer for the first time, wash beaters and dough hooks, rinse and dry. See page 6 for cleaning instructions. Be sure to remove beaters or dough hooks from the body before washing.

HOW TO USE

1. Be sure the mixer is OFF (0) and unplugged before inserting the beaters or dough hooks.
2. Insert the beaters or dough hooks into the holes on the bottom until they click into place.
When using the dough hooks, make sure that the dough hook with a smaller collar is inserted into the hole shown in the figure.
The dough hooks are not interchangeable.
3. Plug into outlet securely. Use the mixer on a 120V, 60Hz only protected electrical supply.
4. Place the beaters or dough hooks into the bowl.
5. Slide the Speed Control Switch to the desired speed. (See the "MIXING GUIDE" below.)
6. When finished mixing, slide the Speed Control Switch to the "0" position and unplug the mixer.
7. To detach beaters or dough hooks, position the mixer over a bowl or sink and push the Eject Button down.



NOTE:

- If mixing action stops or slows significantly, slide the Speed Control Switch to "0" immediately. Unplug the mixer and remove the food from the beaters or dough hooks.
- Thick doughs may need to have the final mixing done by hand.

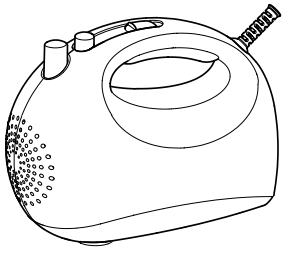
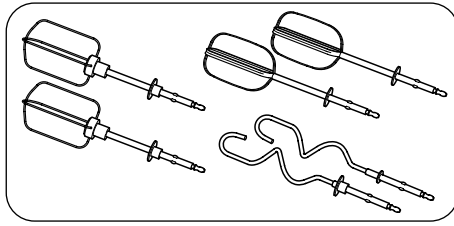
MIXING GUIDE

Use the following chart for speed selections.

To begin mixing, speed should be set on the lowest speed (1) and then moved to desired speed.

SPEED	FUNCTION	BEATERS
0	OFF	
1 (LOW)	Mixing dry ingredients.	Flat
2 (LOW)	Preparing sauces, puddings, muffins or quick breads.	Flat
3 (MEDIUM)	Preparing packaged cake mix.	Flat
4 (MEDIUM)	Making cookie dough.	Flat
	Kneading light dough.	Dough Hooks
5 (HIGH)	Whipping cream.	Wire
	Beating eggs.	Flat
	Mashing potatoes.	Flat
Power Boost	When you feel the mixer slowing down or straining, press and hold down the Power Boost Button for additional power at any speed. After releasing the Button, the mixer will return to the speed you were using.	Any

- NOTE:**
- Always clean the mixer after using.
 - Be sure the mixer is OFF(0) and unplugged from the outlet before removing parts or cleaning.
 - Do not immerse the body, cord or plug in water.
 - Be sure to use dish detergent, not cleanser, benzene, thinner, alcohol or a nylon scrubbing brush, because they may cause cracks and rust. Rinse and polish dry.

OUTSIDE	BEATERS / DOUGH HOOKS
Prepare a mild detergent solution and carefully wipe the outside. Rinse and dry with a soft cloth.	Remove the beaters or dough hooks from the mixer body using the Eject Button. Wash in mild, sudsy water. They are also dishwasher-proof.
	

Peanut Butter Cookies

Makes 3 dozen

- | | |
|------------------------------|------------------------------|
| 1/2 cup peanut butter | 1 egg |
| 1/2 cup granulated sugar | 1 1/4 cups all-purpose flour |
| 1/2 cup packed brown sugar | 3/4 teaspoon baking soda |
| 1/4 cup margarine or butter | 1/2 teaspoon baking powder |
| 1/4 cup vegetable shortening | |

Combine peanut butter, sugars, margarine, shortening and egg; beat using Flat Beaters at speed 1 to blend ingredients. Increase to speed 3 and beat until smooth. Blend in flour, baking soda and baking powder at speed 1. Preheat oven to 375°F.

Shape dough into 3/4-inch balls. Place 2 inches apart on lightly greased baking pan. With fork, flatten in crisscross pattern.

Bake 12 minutes at 375°F. or until set but not hard. Cool on wire racks.

Orange Oatmeal Chippers

Makes 4 dozen

- | | |
|---------------------------------------|----------------------------------|
| 1/2 cup margarine or butter, softened | 1 cup all-purpose flour |
| 1/3 cup oil | 1/2 cup whole wheat flour |
| 3/4 cup packed brown sugar | 1 teaspoon baking soda |
| 1/4 cup granulated sugar | 1/2 teaspoon salt |
| 2 eggs | 1 cup raisins or chocolate chips |
| 1 teaspoon orange extract | 1 tablespoon grated orange peel |
| 2 cups quick-cooking rolled oats | 1/2 cup coarsely chopped nuts |

Preheat oven to 350°F. Cream together margarine, oil and sugars. Beat using Flat Beaters at speed 1 to blend ingredients. Increase to speed 3 and beat until creamy. Beat in eggs and orange extract at speed 3 until blended. Add rolled oats, flours, baking soda and salt; mix at speed 1 until blended. Stir in raisins or chocolate chips, orange peel and nuts at speed 1.

Drop dough by teaspoonfuls 2 inches apart on greased round baking pans. Bake 8 to 12 minutes at 350°F. or until light golden brown. Cool on wire racks.

RECIPES

Cheesecake

Makes 12 servings

Crust:

- 1 1/4 cups all-purpose flour
- 3/4 cup margarine or butter
- 1/4 cup sugar
- 1 egg yolk
- Grated lemon peel from 1/2 lemon

Filling:

- 4 packages (8 ounce each) cream cheese
- 1 1/4 cups sugar
- 2 tablespoons all-purpose flour
- 4 eggs
- 1 egg yolk
- 2 tablespoons heavy cream
- Grated lemon peel from 1/2 lemon

Combine crust ingredients in small bowl; beat until well mixed. Refrigerate, covered 1 hour.

Preheat oven to 400°F. Press one-third flour mixture into bottom of 9-inch spring form pan. Bake at 400°F. 8 minutes; cool.

In large bowl, beat cream cheese using Flat Beaters at speed 3 until smooth. Slowly beat in sugar at speed 1. Add flour and remaining ingredients. Beat 5 minutes at speed 1. Press remaining dough around side of pan to within 1 inch of top; do not bake. Pour cream cheese mixture into pan.

Bake 40-45 minutes at 350°F until set. Let cheesecake remain in oven 30 minutes. Remove; cool in pan.

Nut Cake With Mocha Frosting

Makes 10 servings

- 8 eggs
- 1 1/2 cups sugar
- 2 cups hazelnuts or walnuts, finely chopped
- 1/4 cup all-purpose flour
- 1 1/2 tablespoons baking powder

Frosting:

- 1 pint heavy cream
- 1/2 cup plus 2 tablespoons sugar
- 1/4 cup plus 1 tablespoon chocolate-flavor drink mix
- 2 1/2 teaspoons vanilla
- 1 teaspoon instant coffee

Preheat oven to 350°F.

Grease and flour two 9-inch round cake pans; line with wax paper. Combine eggs and sugar in large bowl. Start using Flat Beaters at speed 1 and gradually increase to speed 4. Beat until light and fluffy. Add nuts; mix at speed 1. Add flour and baking powder; blend at speed 1 until just mixed. Pour into prepared pans. Bake 25 to 35 minutes. If wooden pick inserted in center does not come out clean, let stand in oven a few minutes to complete cooking. Cool

For frosting, combine remaining ingredients in medium bowl. Beat using Wire Beaters until stiff on speed 5. Frost cake and chill. Cake must be refrigerated.

Sour Cream Pound Cake

Makes 12 servings

- | | |
|-------------------------------------|--------------------------------|
| 4 cups all-purpose flour | 4 eggs |
| 2 teaspoons baking powder | 1 teaspoon vanilla |
| 1 teaspoon baking soda | 2 cups dairy sour cream |
| 1/2 teaspoon salt | 1/2 cup sugar |
| 2 cups sugar | 1/4 cup finely chopped walnuts |
| 1 cup margarine or butter, softened | 2 tablespoons ground cinnamon |

Preheat oven to 350°F.

Mix flour, baking powder, baking soda and salt in medium bowl. Set aside. Beat 2 cups sugar and the margarine using Flat beaters at speed 3 until light and fluffy. Add eggs, one at a time, beating well after each. Mix in vanilla. Blend in flour mixture alternately with sour cream, beating after each addition at speed 1 until smooth. Set aside.

Combine 1/2 cup sugar, the nuts and cinnamon. Pour half the batter into well-greased 10-inch tube pan; sprinkle with half of filling. Repeat with remaining batter and filling.

Bake 50-60 minutes or until wooden pick inserted in center comes out clean. Allow to cool on counter 10 minutes. Turn out onto plate and allow to finish cooling.

Cuando se utilicen aparatos eléctricos, deberán seguirse siempre ciertas normas de seguridad básicas, entre las que se incluyen las siguientes:

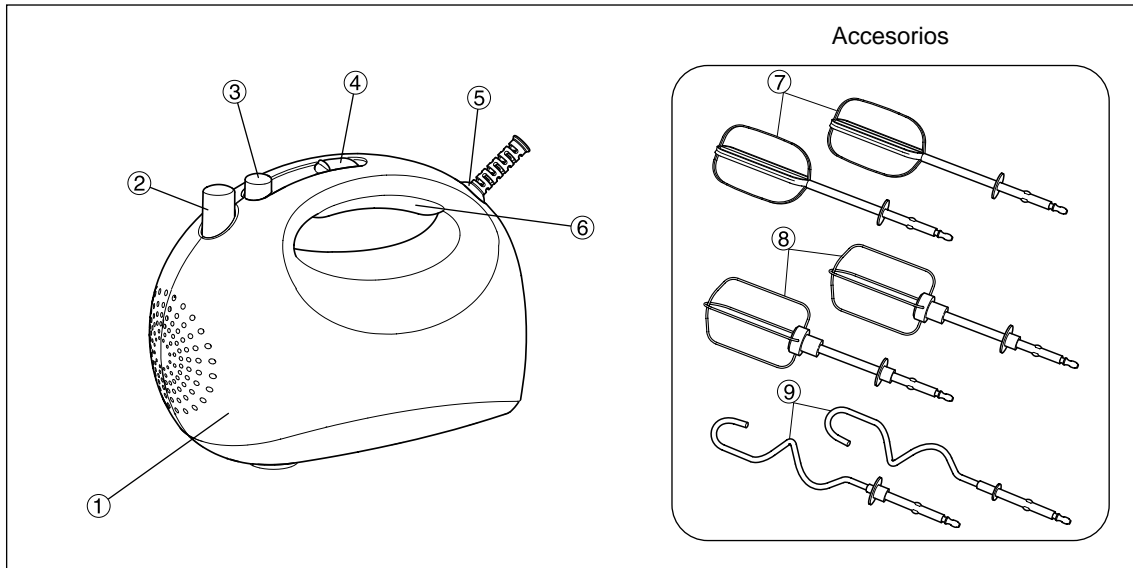
1. Lea todas las instrucciones.
2. Para protegerse contra el riesgo de sufrir una descarga eléctrica, no ponga la batidora, el cable o la clavija en el agua o en otro líquido.
3. Cuando la batidora sea utilizada por niños o cerca de ellos deberá realizarse una atenta supervisión.
4. Desenchufe la batidora de la toma de corriente cuando no la utilice, antes de colocar o retirar piezas y antes de limpiarla.
5. Evite tocar las piezas móviles. Durante el funcionamiento de la batidora, mantenga las manos, el cabello y las ropas, así como también las espátulas y demás utensilios de cocina, alejados de los batidores/ganchos para amasar, para reducir así el riesgo de que se lesionen las personas y/o se estropee la batidora.
6. No utilice la batidora si ésta tiene un cable o clavija estropeado, ni tampoco si funciona mal, se ha caído o se ha estropeado de cualquier forma.
7. La utilización de accesorios que no hayan sido recomendados ni vendidos por SHARP puede causar un incendio, una descarga eléctrica o lesiones.
8. No utilice la batidora en exteriores.
9. No deje que el cable cuelgue sobre el borde de mesas o mostradores, ni que toque superficies que estén calientes.
10. Retire los batidores/ganchos para amasar de la batidora antes de lavarla.
11. Verifique que el interruptor de control de velocidad esté en la posición de apagado antes de enchufar el cable en una toma de corriente.
12. Desenchufe la batidora antes de colocar o retirar los batidores o los ganchos para amasar.
13. No utilice la batidora para otras cosas que no sean aquellas para las que ha sido diseñada.

Llame al 1-800-BE-SHARP(237-4277) para obtener información relacionada con las reparaciones.

GUARDE ESTAS INSTRUCCIONES y el manual de instrucciones

Este producto ha sido diseñado para ser utilizado en casa solamente.

Esta batidora tiene una clavija polarizada (una patilla es más ancha que la otra). Para reducir el riesgo de que se produzcan descargas eléctricas, esta clavija ha sido diseñada para poder enchufarse de una sola forma en una toma de corriente polarizada. Si la clavija no se puede enchufar completamente en la toma de corriente, dé vuelta a la clavija. Si sigue sin poder enchufarla, póngase en contacto con un electricista cualificado. No intente modificar la clavija de ninguna forma.



- | | |
|---|---|
| <p>1 Cuerpo
 2 Botón de eyección
 3 Botón sobrealimentador de potencia
 4 Interruptor de control de velocidad
 (encendido/apagado)
 5 Cable giratorio</p> | <p>6 Asa acolchada
 7 Batidores planos
 8 Batidores de alambre
 9 Ganchos para amasar</p> |
|---|---|

ACCESORIO:	DESCRIPCIÓN
Batidores planos:	Para batir en general
Batidores de alambre:	Para batir nata
Ganchos para amasar:	Para amasar masa ligera

Tensión nominal:	120V, 60Hz, CA solamente
Consumo:	180W
Dimensiones exteriores:	203 (An) x 94 (Prof) x 152 (Al) mm
Peso (sin incluir el de los accesorios):	1.0kg aproximadamente

ANTES DE UTILIZAR LA BATIDORA

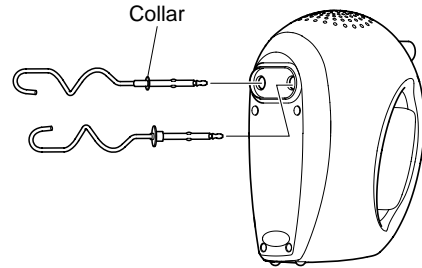
Antes de utilizar la batidora por primera vez, lave los batidores y los ganchos para amasar, enjuáguelos y séquelos.

Consulte la página 11 donde se indican las instrucciones de limpieza.

Asegúrese de retirar los batidores o los ganchos para amasar de la batidora antes de lavarlos.

UTILIZACIÓN

1. Asegúrese de que la batidora esté apagada (0) y desenchufada antes de introducir los batidores o los ganchos para amasar.
2. Introduzca los batidores o los ganchos para amasar en los agujeros de la parte inferior hasta que queden colocados haciendo un ruido seco.
Cuando utilice los ganchos para amasar, asegúrese de que el gancho que tenga el collar más pequeño sea insertado en el agujero izquierdo, como se muestra en la figura.
3. Enchufe firmemente el cable de alimentación de la batidora en la toma de corriente. Utilice solamente un suministro eléctrico de 120V, 60Hz que esté protegido.
4. Ponga los batidores o los ganchos para amasar en el recipiente.
5. Deslice el interruptor de control de velocidad hasta la velocidad deseada. (Consulte la "GUÍA PARA BATIR" indicada más abajo.)
6. Cuando termine de batir, deslice el interruptor de control de velocidad hasta la posición "0" y desenchufe la batidora.
7. Para retirar los batidores o los ganchos para amasar, ponga la batidora encima de un recipiente o fregadero de cocina y pulse el botón de eyección.



NOTA:

- Si el batido se interrumpe inesperadamente, deslice inmediatamente el interruptor de control de velocidad hasta la posición "0" y desenchufe la batidora de la toma de corriente, y luego retire la comida de los batidores o de los ganchos para amasar.

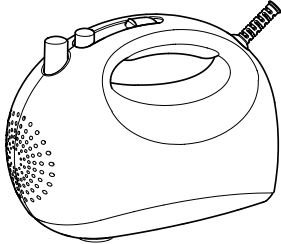
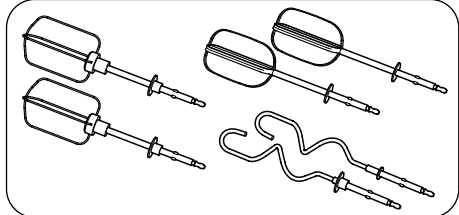
GUÍA PARA BATIR

Utilice la guía siguiente para seleccionar la velocidad.

Para batir deberá empezar con la velocidad mínima (1) y luego ir aumentando hasta alcanzar la velocidad deseada.

VELOCIDAD	FUNCIÓN	BATIDORES
0	Apagado	
1 (Baja)	Para batir ingredientes secos.	Planos
2 (Baja)	Para preparar salsas, pudines, bollos o pan rápido.	Planos
3 (Media)	Para preparar mezcla de tortas empaquetada.	Planos
4 (Medio)	Para hacer masa para galletas.	Planos
	Para amasar una masa ligera.	Ganchos para amasar
5 (Alta)	Para batir nata.	Alambre
	Batir huevos.	Planos
	Para hacer puré de patatas.	Planos
Sobrealimentador de potencia	Cuando note que la batidora pierda velocidad o funcione de forma forzada, mantenga pulsado el botón sobrealimentador de potencia para disponer así de más potencia a cualquier velocidad. Después de soltar el botón, la batidora volverá a la velocidad que usted estaba utilizando.	Cualquiera

- NOTA:**
- Limpie siempre la batidora después de utilizarla.
 - Asegúrese de que la batidora esté apagada (0) y desenchufada de la toma de corriente antes de retirar piezas o limpiarla.
 - No meta la batidora, el cable o la clavija en el agua.
 - Asegúrese de utilizar detergente para vajillas para limpiar la batidora. No utilice productos de limpieza, bencina, diluyente, alcohol o un cepillo de nailon porque tal vez produzcan grietas y oxidación. Enjuague la batidora después de limpiarla y luego pase un paño para secarla.

<p>EXTERIOR</p> <p>Prepare una solución de detergente suave y limpie suavemente el exterior. Enjuague y seque con un paño blando.</p> 	<p>BATIDORES / GANCHOS PARA AMASAR</p> <p>Retire los batidores o los ganchos para amasar de la batidora utilizando el botón de eyección. Lávelos en agua templada y jabonosa. También los puede lavar en un lavavajillas.</p> 
--	---

Galletas de mantequilla de cacahuete

Para hacer 3 docenas

1/2	taza de mantequilla de cacahuete	1	huevo
1/2	taza de azúcar granulada	1 1/4	tazas de harina multiuso
1/2	taza de azúcar morena empaquetada	3/4	cucharadita de bicarbonato de soda
1/4	taza de margarina o mantequilla	1/2	cucharadita de polvo de hornear
1/4	taza de manteca vegetal		

Mezcle la mantequilla de cacahuete, los dos tipos de azúcar, la margarina, la manteca vegetal y el huevo; bata la mezcla utilizando los batidores planos a la velocidad 1 para mezclar bien los ingredientes. Aumente la velocidad a 3 y siga batiendo hasta que quede una mezcla suave. Agregue la harina, el bicarbonato de soda y el polvo de hornear y bata a la velocidad 1. Precaliente el horno a unos 190°C.

Haga bolas de unos 2 cm con la masa y colóquelas separadas entre sí por unos 5 cm en un molde untado con una ligera capa de mantequilla. Empleando un tenedor, aplaste las bolas de forma entrecruzada.

Cueza al horno durante 12 minutos a unos 190°C, o hasta que las galletas estén listas pero no duras. Deje que se enfríen en estantes de alambre.

Avena en copos a la naranja

Para hacer 4 docenas

1/2	taza de margarina o mantequilla, ablandada	1	taza de harina multiuso
1/3	taza de aceite	1/2	taza de harina de trigo integral
3/4	taza de azúcar moreno empaquetada	1	cucharadita de bicarbonato de soda
1/4	taza de azúcar granulada	1/2	cucharadita de sal
2	huevos	1	taza de uvas pasas o trocitos de chocolate
1	cucharadita de extracto de naranja	1	cucharada grande de corteza de naranja rallada
2	tazas de copos de avena de cocción rápida	1/2	taza de nueces cortadas en trozos grandes

Precaliente el horno a unos 175°C. Ponga juntos la margarina, el aceite y los dos tipos de azúcar. Bata la mezcla utilizando los batidores planos a la velocidad 1 para mezclar los ingredientes. Aumente la velocidad a 3 y bata hasta que la mezcla quede cremosa. Agregue los huevos y el extracto de naranja y bata a la velocidad 3 hasta que se mezclen los ingredientes. Agregue los copos de avena, las harinas, el bicarbonato de soda y la sal y siga batiendo a la velocidad 1 hasta que todo quede mezclado. Agregue las uvas pasas o los trozos de chocolate, el pellejo de naranja y las nueces y bata a la velocidad 1.

Deje caer la masa de cucharitas llenas, manteniendo una separación de 5 cm entre los trozos de masa, en moldes redondos untados con mantequilla. Cueza al horno de 8 a 12 minutos a 175°C o hasta que la masa adquiera un color marrón dorado. Deje luego enfriar en estantes de alambre.

Tarta de queso

Para hacer 12 porciones

Corteza de la tarta:

- 1 1/4 tazas de harina multiuso
- 3/4 taza de margarina o mantequilla
- 1/4 taza de azúcar
- 1 yema de huevo
- Corteza de 1/2 limón rayada

Relleno:

- 4 paquetes de queso crema (225 gramos cada uno)
- 1 1/4 tazas de azúcar
- 2 cucharadas grandes de harina multiuso
- 4 huevos
- 1 yema de huevo
- 2 cucharadas grandes de nata doble
- Corteza de 1/2 limón rayada

Ponga los ingredientes de la corteza de la tarta en un recipiente pequeño; bátalos hasta que queden bien mezclados. Tape la mezcla y refrigérela durante 1 hora.

Precaliente el horno a unos 200°C. Ponga un tercio de la mezcla de harina presionándola contra el fondo de un molde de borde separable de unos 23 cm de diámetro. Cueza al horno a 200°C durante 8 minutos y luego deje que se enfríe.

En un recipiente grande, bata el queso crema utilizando batidores planos a la velocidad 3 hasta que quede suave. Bata luego lentamente el azúcar a la velocidad 1. Agregue la harina y los ingredientes restantes. Bata durante 5 minutos a la velocidad 1. Presione el resto de la masa de la corteza de la tarta contra el lado del molde sin poner nada en el espacio que queda a 2.5 cm a partir del borde superior; no cueza al horno todavía. Vierta la mezcla del queso crema en el horno.

Cueza al horno durante 40-45 minutos a 175°C hasta que se establezca. Deje la tarta de queso en el horno durante 30 minutos. Sáquela luego del horno y deje que se enfríe en el molde.

Tarta de nuez o avellana con baño de moca

Para hacer 10 porciones

- 8 huevos
- 1 1/2 tazas de azúcar
- 2 tazas de avellanas o nueces picadas finamente
- 1/4 taza de harina multiuso
- 1 1/2 cucharaditas de polvo de hornear

Baño de moca:

- 500 ml de crema doble
- 1/2 taza más 2 cucharadas grandes de azúcar
- 1/4 taza más 1 cucharada grande de mezcla de bebida con sabor a chocolate
- 2 1/2 cucharaditas de vainilla
- 1 cucharadita de café instantáneo

Precaliente el horno a unos 175°C.

Unte con mantequilla y harina dos moldes redondos de 23cm para tartas; y luego cubra con papel de cera. Ponga los huevos y el azúcar en un recipiente grande. Empiece utilizando los batidores planos a la velocidad 1 y vaya aumentando poco a poco la velocidad hasta llegar a la 4. Bata hasta que la mezcla quede suave y esponjosa. Agregue las nueces o avellanas y mezcle a la velocidad 1. Agregue la harina y el polvo de hornear y bata a la velocidad 1 hasta que todo quede mezclado. Vierta la mezcla en los moldes preparados. Cueza al horno durante 25 a 35 minutos. Si el palito de madera introducido en el centro no sale limpio, deje el molde en el horno unos pocos minutos más hasta completar la cocción. Luego, deje enfriar.

Para el baño de moca, combine los ingredientes restantes en un recipiente de tamaño medio. Bata a la velocidad 5 utilizando los batidores de alambre hasta que la mezcla quede firme. Cubra la tarta y póngala a enfriar. La tarta deberá estar refrigerada.

Tarta de nata agria

Para hacer 12 porciones

- 4 tazas de harina multiuso
- 2 cucharaditas de polvo de hornear
- 1 cucharadita de bicarbonato de soda
- 1/2 cucharadita de sal
- 2 tazas de azúcar
- 1 taza de margarina o mantequilla, ablandada

- 4 huevos
- 1 cucharadita de vainilla
- 2 tazas de nata agria
- 1/2 taza de azúcar
- 1/4 taza de nueces picadas finamente
- 2 cucharadas grandes de canela molida

Precaliente el horno a unos 175°C.

Mezcle la harina, el polvo de hornear, el bicarbonato de soda y la sal en un recipiente de tamaño medio. Ponga esta mezcla aparte. Bata 2 tazas de azúcar y la margarina utilizando los batidores planos a la velocidad 3 hasta que la mezcla quede suave y esponjosa. Agregue los huevos uno a uno batiéndolos bien. Mezcle la vainilla. Bata la mezcla de harina con la nata agria según va agregando la nata. Bata a la velocidad 1 hasta que la mezcla quede suave. Ponga esta mezcla aparte.

Mezcle 1/2 de azúcar, las nueces y la canela. Vierta la mitad de la masa en un molde tubular de 25cm bien untado en mantequilla; esparza por encima la mitad del relleno. Repita lo mismo con la otra mitad de la masa y del relleno.

Cueza al horno durante 50-60 minutos hasta que el palillo de madera introducido en el centro salga limpio. Deje que el pastel se enfríe durante 10 minutos. Póngalo luego en una fuente y deje que termine de enfriarse.

Free Manuals Download Website

<http://myh66.com>

<http://usermanuals.us>

<http://www.somanuals.com>

<http://www.4manuals.cc>

<http://www.manual-lib.com>

<http://www.404manual.com>

<http://www.luxmanual.com>

<http://aubethermostatmanual.com>

Golf course search by state

<http://golfingnear.com>

Email search by domain

<http://emailbydomain.com>

Auto manuals search

<http://auto.somanuals.com>

TV manuals search

<http://tv.somanuals.com>