

Insight™

Insight



Discover the Range with a Secret Ingredient

SHARP®

Insight™

The Sharp Insight Range with the world's first Microwave Drawer™

For over thirty years, Sharp has been the name to trust for cooking innovations like the Carousel® microwave turntable and the High Speed Oven. Now Sharp applies its expertise, fresh thinking and insight into how consumers really use their kitchens, to develop a new kind of cooking product.

Introducing the remarkable Insight Range. This 3-in-1 cooking center combines a glass ceramic cooktop, conventional or convection oven, and Sharp's exclusive Microwave Drawer in a single space-saving appliance. While all this cooking versatility occupies a width of only 30 inches, its two spacious ovens offer the capacity to microwave a 9"x13" pan of lasagna or roast a 25-pound turkey.

If you like to cook and you use your microwave frequently, you'll love Insight's convenience and flexibility. Whether your menu calls for defrosting an entree in the microwave, simmering a stew on the cooktop, or convection roasting a holiday turkey to perfection, Insight does it all — beautifully. A perfect blend of style and convenience, the Insight Range is your kitchen's sleekest secret.



High-performance features complement the way you cook

With a wealth of practical features, the Insight Range is as smart as it is beautiful. **Front-mounted glass touch controls** are angled for convenience and safety, eliminating the need to lean over a hot cooktop. They're easy to view and easy to clean, and their intuitive operation makes them simple to program for both conventional and convection baking, broiling and roasting. The smooth ceramic cooktop is available with a **warming zone** to make meal coordination simple. The **EZ Pull oven rack** lets you slide even the heaviest turkey out of a hot oven with ball bearing ease. Sharp's renowned microwave **sensor technology** eliminates guesswork so preparing microwave foods is virtually foolproof. And, for even greater convenience, the optional **automatic microwave drawer** opens with the touch of a button.



Adjustable-height backsplash offers seven positions



Angled controls include separate LCD displays for Microwave Drawer and lower oven



EZ Pull oven rack is ideal for heavier foods

Cooking with the Insight Range is deliciously easy with Insight's convection oven option. Its **True European Convection** offers a third rear heating element that boosts the power of hot air circulation cooking. It ensures more even heating throughout the oven cavity so you can bake multiple racks of food at the same time with superb results. And convection broiling lets you keep the door closed, helping meats brown beautifully while sealing in juices that make food more succulent.

High-style design complements the way you live

The Insight Range offers a sleek, integrated look that complements a wide range of decors from traditional to contemporary. It's ideal in smaller kitchens, islands or modern open-plan designs that offer lots of open space but little overhead cabinetry, leaving few places suitable for a microwave. By incorporating the microwave within the range itself, Insight eliminates awkward installations and cluttered countertops while allowing the use of a stylish ventilation hood above the range. It's an easy and cost-effective option requiring virtually no installation.

Design Flexibility

- Compact 3-in-1 appliance maximizes valuable countertop space
- Adjustable height backsplash offers seven positions to match existing wall treatments or new designs
- Ideal companion to a stylish range hood or even a Sharp Over the Range microwave oven
- Available in freestanding 30 inch models

Sophisticated Style

- Large viewing windows create a unified look while concealing both ovens
- Integrated handles and glass touch controls lend a sleek appearance
- Choice of stainless steel, white or black finishes

With fresh insights into cooking and kitchen design, Sharp puts innovation on the front burner and cooking convenience at your fingertips. Learn more about the Insight Range with the world's first Microwave Drawer. It's the most innovative answer yet for where to put the microwave.



KB-3300JS



KB-3300JW



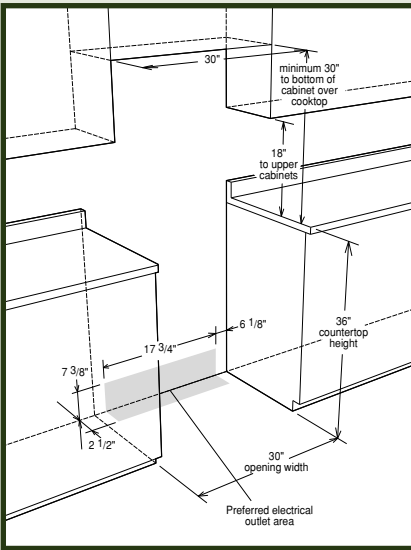
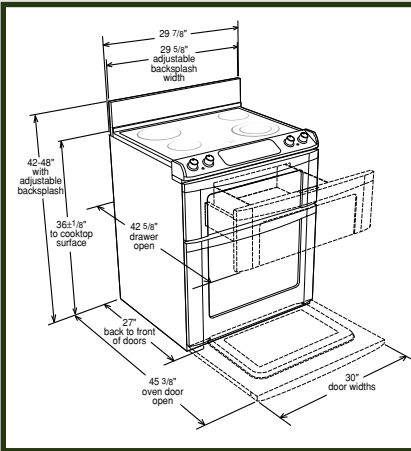
KB-3300JK



The world's first Microwave Drawer™

The Insight Range's clever design takes the microwave off the counter and places it right at the most convenient height, making stirring, turning and checking food easier and safer. It's ideal for people who use their microwave frequently, and an innovative solution that answers the key question of where to put the microwave.

Download from www.somanuals.com. All Manuals Search And Download.



Outside Dimensions

29 7/8" W x 36 +/- 1/8" H to cooktop surface
+ 6"-12" height of adjustable backsplash
x 27" D to front of doors

Approx. Shipping Weight

281 lbs.

Power/Ratings

Amp rating at 240 / 208V: 50 amps
kW rating at 240V: 13.0
kW rating at 208V: 10.0

Safety Compliance

FCC, DHHS, UL listed

UPC Codes

KB-3300JS: 074000612327
KB-3300JK: 074000612334
KB-3300JW: 074000612341
KB-3411JS: 074000612426
KB-3411JK: 074000612433
KB-3411JW: 074000612440

Limited Warranty: One-year parts and one-year labor with in-home service. The warranty continues for an additional four years, for a total of five years, on the glass ceramic cooktop, radiant surface units and magnetron tube for parts only.

To receive the most current specifications, call Dimension Express at 775-833-3600 from a fax machine. Enter code 9026 for instructions and a directory of Sharp microwave oven products.

SPECIFICATIONS	FEATURES	KB-3300JS/JK/JW	KB-3411JS/JK/JW
Controls	Front-mounted glass touch controls, angled for easy viewing	•	•
	Separate digital LCD display for Microwave and Lower Oven	•	•
	Kitchen timers	2	2
	Control lock	•	•
Cooktop	Demonstration mode	•	•
	Electric glass ceramic cooktop	•	•
	Infinite heat control with knobs	•	•
	6" ribbon heating element	2 (1200W)	2 (1200W)
	8" ribbon heating element	1 (2000W)	1 (2000W)
	Dual 6"/9" ribbon heating element	1 (1200W/2400W)	1 (1200W/2400W)
	6" Warming Zone	—	1 (100W)
Microwave Drawer	Hot surface indicator lights	4	4
	1.0 cu. ft. capacity (holds 9" x 13" dish)	•	•
	1000W output power	•	•
	Microwave Drawer opening system	Manual	Automatic
	Sensor Cook, Reheat, Popcorn	11 settings	11 settings
	Automatic Defrost	5 settings	5 settings
	Microwave Keep Warm	up to 30 minutes	up to 30 minutes
	Variable power levels / Programmable stages	11 / 4	11 / 4
	Clock and Minute Plus™	•	•
	Interior oven light	•	•
Lower Oven	Cooking System	Conventional	True European Convection with third element
	Thermal Bake and Broil	•	•
	Convection Bake and Broil	—	•
	Self-cleaning with auto-locking door	•	•
	Oven capacity	3.8 cu. ft.	3.6 cu. ft.
	Oven racks	1 EZ Pull / 1 standard	1 EZ Pull / 2 standard
	Interior oven light with on/off key	•	•
	Large viewing window	•	•
	Quick Set options for Baking and Broiling	•	•
	6-Pass Broiling element	•	•
	Digital temperature display	•	•
	Delay Start for cooking or cleaning	•	•
	Numeric time / temperature entry	•	•
	Timed Cook	•	•
	Lock oven door option	•	•
	Audible preheat signal	•	•
	Warm mode	•	•
Low temperature (100°F) for proofing	•	•	
Automatic oven shut-off with override	•	•	
Broiler pan with grid	•	•	
Roasting rack	—	•	
Porcelain enamel oven interior	•	•	
Color/Design	Integrated handles	•	•
	Color	KB-3300JS stainless	KB-3411JS stainless
		KB-3300JK black	KB-3411JK black
		KB-3300JW white	KB-3411JW white
	Adjustable height backsplash	7 positions (6" - 12" in one-inch increments)	7 positions (6" - 12" in one-inch increments)

Design and specifications subject to change without notice.
For additional information, including complete dimensions and installation instructions, please visit www.sharppusa.com/insight.



Sharp Electronics Corporation

Sharp Plaza, Mahwah, NJ 07430-2135

Call: 1-866-RANGE99 or visit www.sharppusa.com/insight from www.Somanuals.com. All Manuals Search And Download.

© 2004 Sharp Electronics Corporation

MA-06-101

Free Manuals Download Website

<http://myh66.com>

<http://usermanuals.us>

<http://www.somanuals.com>

<http://www.4manuals.cc>

<http://www.manual-lib.com>

<http://www.404manual.com>

<http://www.luxmanual.com>

<http://aubethermostatmanual.com>

Golf course search by state

<http://golfingnear.com>

Email search by domain

<http://emailbydomain.com>

Auto manuals search

<http://auto.somanuals.com>

TV manuals search

<http://tv.somanuals.com>