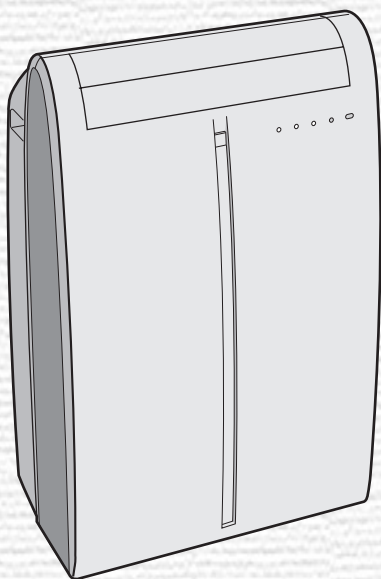


SHARP®

CV-P09LX
CV-P12LX
CV-P10LC
CV-P10MX



- * Plasmacluster is a trademark of SHARP Corporation.
- * Plasmacluster est une marque de commerce de SHARP Corporation.
- * Plasmacluster es una marca registrada de SHARP Corporation.

**PORTABLE TYPE
ROOM AIR CONDITIONER**
INSTALLATION AND OPERATION
MANUAL

**CLIMATISEUR DE CHAMBRE
DE TYPE PORTATIF**
MANUEL D'INSTALLATION ET
D'UTILISATION

**ACONDICIONADOR DE AIRE
PARA HABITACIÓN TIPO
PORTÁTIL**
MANUAL DE INSTALACIÓN
Y FUNCIONAMIENTO

ENGLISH

FRANÇAIS

ESPAÑOL

This manual explains the proper use of your new air conditioner. Please read this manual carefully before using the product. This manual should be kept in a safe place for handy reference.

CONTENTS

• FOR CUSTOMER ASSISTANCE (U.S.)	E-2
• CONSUMER LIMITED WARRANTY (U.S.)	E-3
• FOR CUSTOMER ASSISTANCE (CANADA)	E-4
• CONSUMER LIMITED WARRANTY (CANADA)	E-5
• PRECAUTIONS	E-6
• LOCATION	E-9
• INCLUDED	E-9
• PART NAMES	E-10
• INSTALL WINDOW PANEL	E-12
• INSTALLATION AND REMOVAL OF EXHAUST HOSE	E-16
• PRE-OPERATION CHECKS	E-18
• COOL MODE	E-20
• DEHUMIDIFICATION MODE	E-21
• FAN MODE	E-22
• VENTILATION MODE	E-22
• TO CHANGE AIR FLOW DIRECTION	E-23
• PLASMACLUSTER OPERATION	E-24
• MEGA COOL OPERATION	E-25
• ONE-HOUR OFF TIMER	E-25
• TIMER OPERATION	E-26
• MAIN UNIT OPERATION	E-28
• DRAINAGE	E-29
• MAINTENANCE	E-30
• BEFORE CALLING FOR SERVICE	E-31

Declaration of Conformity

SHARP ROOM AIR CONDITIONER CV-P09LX, CV-P12LX, CV-P10LC, CV-P10MX

This device complies with Part 18 of FCC rules.

Responsible Party:

SHARP ELECTRONICS CORPORATION.
Sharp Plaza, Mahwah, New Jersey 07430-2135
TEL: 1-800-BE-SHARP

Declaration of Conformity

SHARP ROOM AIR CONDITIONER CV-P09LX, CV-P12LX, CV-P10MX

This ISM device complies with Canadian ICES-001

Responsible Party:

SHARP ELECTRONICS OF CANADA LTD.
335 Britannia Road East Mississauga, Ontario L4Z 1W9 Canada
TEL: (905) 568-7140

FOR CUSTOMER ASSISTANCE (the United States)

To aid in answering questions if you call for service or for reporting loss or theft, please record below the model and serial number located on the back side of the unit.

MODEL NUMBER

SERIAL NUMBER

DATE OF PURCHASE

Dealer Name

Address

City

State

Zip

Telephone

TO PHONE: Dial 1-800-BE-SHARP (237-4277) for:
SERVICE (for your nearest Sharp Authorized Servicer)
PARTS (for your Authorized Parts Distributor)
ACCESSORIES
ADDITIONAL CUSTOMER INFORMATION

TO WRITE: For service problems, warranty information, missing items and other assistance:
Sharp Electronics Corporation
Customer Assistance Center
1300 Naperville Drive
Romeoville, IL 60446-1091

TO ACCESS THE INTERNET: www.sharppusa.com

Please provide the following information when you write or call: model number, serial number, date of purchase, your complete mailing address (including zip code), your daytime telephone number (including area code) and description of the problem.

CONSUMER LIMITED WARRANTY

ENGLISH

CONSUMER LIMITED WARRANTY FOR THE U.S. USERS

SHARP ELECTRONICS CORPORATION warrants to the first consumer purchaser that this Sharp brand product (the "Product"), when shipped in its original container, will be free from defective workmanship and materials, and agrees that it will, at its option, either repair the defect or replace the defective Product or part thereof with a new or remanufactured equivalent at no charge to the purchaser for parts or labor for the period(s) set forth below.

This warranty does not apply to any appearance items of the Product nor to the additional excluded item(s) set forth below nor to any Product the exterior of which has been damaged or defaced, which has been subjected to improper voltage or other misuse, abnormal service or handling, or which has been altered or modified in design or construction.

In order to enforce the rights under this limited warranty, the purchaser should follow the steps set forth below and provide proof of purchase to the servicer.

The limited warranty described herein is in addition to whatever implied warranties may be granted to purchasers by law. ALL IMPLIED WARRANTIES INCLUDING THE WARRANTIES OF MERCHANTABILITY AND FITNESS FOR USE ARE LIMITED TO THE PERIOD(S) FROM THE DATE OF PURCHASE SET FORTH BELOW. Some states do not allow limitations on how long an implied warranty lasts, so the above limitation may not apply to you.

Neither the sales personnel of the seller nor any other person is authorized to make any warranties other than those described herein, or to extend the duration of any warranties beyond the time period described herein on behalf of Sharp.

The warranties described herein shall be the sole and exclusive warranties granted by Sharp and shall be the sole and exclusive remedy available to the purchaser. Correction of defects, in the manner and for the period of time described herein, shall constitute complete fulfillment of all liabilities and responsibilities of Sharp to the purchaser with respect to the Product, and shall constitute full satisfaction of all claims, whether based on contract, negligence, strict liability or otherwise. In no event shall Sharp be liable, or in any way responsible, for any damages or defects in the Product which were caused by repairs or attempted repairs performed by anyone other than an authorized servicer. Nor shall Sharp be liable or in any way responsible for any incidental or consequential economic or property damage. Some states do not allow the exclusion of incidental or consequential damages, so the above exclusion may not apply to you.

THIS WARRANTY GIVES YOU SPECIFIC LEGAL RIGHTS. YOU MAY ALSO HAVE OTHER RIGHTS WHICH VARY FROM STATE TO STATE.

Your Product Model Number & Description:

CV-P09LX, CV-P12LX, CV-P10LC or CV-P10MX

Portable Air Conditioner. Be sure to have this information available when you need service for your Product.

Warranty Period for this Product:

One (1) year parts and labor from date of purchase. The warranty period continues for a total of five (5) years from date of purchase for the Sealed Cooling System parts; labor and service are not provided free of charge for this additional period.

Additional Item(s) Excluded From Warranty Coverage (If any):

Appearance items of the Product, filters, or accessories, or any printed materials.

Product which has been used for rental and/or commercial purposes.

Where to Obtain Service:

From a Sharp Authorized Servicer located in the United States. To find the location of the nearest Sharp Authorized Servicer, call Sharp Toll Free at 1-800-BE-SHARP.

What to Do to Obtain Service:

Contact your Sharp Authorized Servicer to obtain in-home service for this Product.

The Servicer will come to your home, and if it is necessary to remove the Product, the Servicer will reinstall it. Be sure to have Proof of Purchase available.

TO OBTAIN SUPPLY, ACCESSORY OR PRODUCT INFORMATION, CALL 1-800-BE-SHARP, OR VISIT OUR WEBSITE AT www.sharpsusa.com

SHARP®

SHARP ELECTRONICS CORPORATION

Sharp Plaza, Mahwah, New Jersey 07430-2135

FOR CUSTOMER ASSISTANCE (Canada)

To aid in answering questions if you call for service or for reporting loss or theft, please record below the model and serial number located on the back side of the unit.

MODEL NUMBER

SERIAL NUMBER

DATE OF PURCHASE

Dealer Name

Address

City

Province

Postal Code

Telephone

TO PHONE: Dial 1-905-568-7140 for:

SERVICE (for your nearest Sharp Authorized Servicer)

PARTS (for your Authorized Parts Distributor)

ACCESSORIES

ADDITIONAL CUSTOMER INFORMATION

TO WRITE: For service problems, warranty information, missing items and other assistance:

Sharp Electronics of Canada Ltd.

Customer Care

335 Britannia Road East

Mississauga, Ontario L4Z 1W9

TO ACCESS THE INTERNET: www.sharp.ca

Please provide the following information when you write or call: model number, serial number, date of purchase, your complete mailing address (including Postal Code), your daytime telephone number (including area code) and description of the problem.

SHARP®

LIMITED WARRANTY

Consumer Electronics Products

Congratulations on your purchase!

Sharp Electronics of Canada Ltd. (hereinafter called "Sharp") gives the following express warranty to the first consumer purchaser for this Sharp brand product, when shipped in its original container and sold or distributed in Canada by Sharp or by an Authorized Sharp Dealer:

Sharp warrants that this product is free, under normal use and maintenance, from any defects in material and workmanship. If any such defects should be found in this product within the applicable warranty period, Sharp shall, at its option, repair or replace the product as specified herein.

This warranty shall not apply to:

- (a) Any defects caused or repairs required as a result of abusive operation, negligence, accident, improper installation or inappropriate use as outlined in the owner's manual.
- (b) Any Sharp product tampered with, modified, adjusted or repaired by any party other than Sharp, Sharp's Authorized Service Centres or Sharp's Authorized Servicing Dealers.
- (c) Damage caused or repairs required as a result of the use with items not specified or approved by Sharp, including but not limited to head cleaning tapes and chemical cleaning agents.
- (d) Any replacement of accessories, glassware, consumable or peripheral items required through normal use of the product including but not limited to earphones, remote controls, AC adapters, batteries, temperature probe, stylus, trays, filters, belts, ribbons, cables and paper.
- (e) Any cosmetic damage to the surface or exterior that has been defaced or caused by normal wear and tear.
- (f) Any damage caused by external or environmental conditions, including but not limited to transmission line/power line voltage or liquid spillage.
- (g) Any product received without appropriate model, serial number and CSA /cUL markings.
- (h) Any products used for rental or commercial purposes.
- (i) Any installation, setup and/or programming charges.

Should this Sharp product fail to operate during the warranty period, warranty service may be obtained upon delivery of the Sharp product together with proof of purchase and a copy of this LIMITED WARRANTY statement to an Authorized Sharp Service Centre or an Authorized Sharp Servicing Dealer. In home warranty service may be provided at Sharp's discretion on any Sharp television with the screen size of 27" or larger and on any Sharp Over-the-Range Microwave Oven.

This warranty constitutes the entire express warranty granted by Sharp and no other dealer, service centre or their agent or employee is authorized to extend, enlarge or transfer this warranty on behalf of Sharp. To the extent the law permits, Sharp disclaims any and all liability for direct or indirect damages or losses or for any incidental, special or consequential damages or loss of profits resulting from a defect in material or workmanship relating to the product, including damages for the loss of time or use of this Sharp product or the loss of information. The purchaser will be responsible for any removal, reinstallation, transportation and insurance costs incurred. Correction of defects, in the manner and period of time described herein, constitute complete fulfillment of all obligations and responsibilities of Sharp to the purchaser with respect to the product and shall constitute full satisfaction of all claims, whether based on contract, negligence, strict liability or otherwise.

WARRANTY PERIODS:

	Parts & Labour (exceptions noted)
Audio Products	1 year
Camcorder	1 year
DVD Products	1 year
Projector	1 year (lamp 90 days)
LCD TV	1 year
Microwave Oven	1 year (magnetron component-4 additional years)
Air Purifier	1 year
Portable Air Conditioner	1 year

To obtain the name and address of the nearest Authorized Sharp Service Centre or Dealer, please contact:
SHARP ELECTRONICS OF CANADA LTD. 335 Britannia Road East Mississauga, Ontario L4Z 1W9

For more information on this Warranty, Sharp Extended Warranty Offers, Sharp Canada Products, Accessory Sales, Dealer or Service Locations, please call (905) 568-7140
Visit our Web site: www.sharp.ca

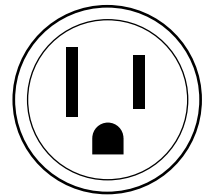


PRECAUTIONS

Points to keep in mind when using your air conditioner.

WARNINGS FOR USE

- **Install the air conditioner in accordance with the installation instructions in the latter section of this manual.**
- **Do not modify any part of this product.**
- **Do not insert anything into any part of the unit.**
- **Ensure the power supply used has an appropriate voltage rating.**
Only use a three-pin grounded electrical AC socket rated 125V, 60Hz, and 15 amps or more as shown on the right.
Use of a power supply with an improper voltage rating can result in damage to the unit and possibly fire.
- **Always use a fuse with the proper amp rating.**
Do not, under any circumstances, use wire, pins or other objects in place of a proper fuse.
- **In the event of any abnormality with the air conditioner (ex. a burning smell), turn it off immediately and disconnect the power supply.**



WARNING FOR POWER SUPPLY CORD

- **This air conditioner uses a plug with a built-in fuse.**
Read the precautions on the plug before using the air conditioner.
- **Always conduct a “Power Plug Check” (See Page 18) before use to confirm the power plug functions normally.**
- **This power plug must only be plugged into an appropriate wall socket. Do not use in conjunction with any extension cords.**
- **Push the power plug securely into the socket and make sure it is not loose.**
- **Do not pull, deform, or modify the power supply cord, or immerse it in water.**
Pulling or misuse of the power supply cord can result in damage to the unit and cause electrical shock.
- **A damaged power supply cord must be replaced with a new power supply cord obtained from the product manufacturer and not repaired. Replacement must be performed by manufacture's service agent in order to avoid a hazard.**

NOTE

Radio or TV Interference

If this room air conditioner should cause interference to radio or television reception, try to correct the interference by one or more of the following measures:

- Reorient or relocate the receiving antenna.
- Increase the separation between the room air conditioner and radio/TV receiver.
- Connect the room air conditioner into an outlet on a circuit different from that to which the radio/TV receiver is connected.
- Consult the dealer or an experienced radio/TV technician for help.

This product fulfils the requirement of the International standard CISPR 11. In conformity with this standard, this product is classified as group 2 class B equipment. Group 2 means that the equipment intentionally generates radio-frequency in the form of electromagnetic radiation for electro-discharge machining equipment. Class B equipment means that the equipment suitable to be used in domestic establishments.

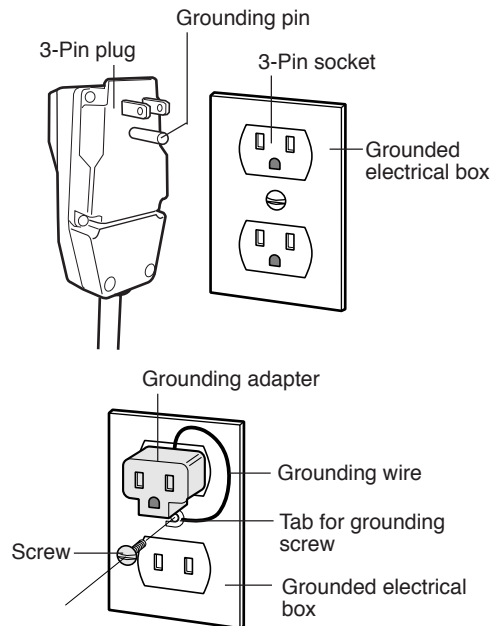
WARNING ABOUT GROUNDING

- **Improper use of the grounding plug can result in the risk of electric shock.**

This appliance must be grounded. In the event of an electrical short circuit, grounding reduces the risk of an electric shock by providing a less resistant conduit for the electric current.

This appliance is equipped with a cord that has a grounding wire connected to a grounding plug. The plug must be plugged into a socket that is properly installed and grounded.

- **Do not under any circumstances cut or remove the round grounding pin from this plug.** Consult a qualified electrician or serviceman if the grounding instructions are not completely understood, or if in any doubt as to whether the appliance is properly grounded. If a grounding adapter is used, make sure the electrical box is fully grounded.



USAGE CAUTIONS

- **Ventilate the room periodically during use, especially if using gas appliances.**
- **Be sure to turn the unit off and disconnect the power supply cord before performing any maintenance or cleaning.**
- **Do not splash or pour water directly onto the unit.** Water can cause electrical shock or equipment damage.
- **Drainage should be performed whenever moving the air conditioner. (See Page 29)** If any water remains in the tank, it may spill out while being moved.
- **Remove the window panel in the event of particularly adverse weather.** Extremely adverse weather may cause water to leak in through the openings.
- **To ensure proper drainage, the drainage hose must have no kinks or be on a different level during dehumidification mode.** The drained water may spill out into the room.
- **The temperature around the drainage hose must not be below freezing point when used.** Drained water may freeze inside the hose, causing water inside the unit to overflow into the room.
- **Do not block the exhaust air outlet with obstacles.** Cooling performance may be reduced or stop completely.

PRECAUTIONS

NOTES ON OPERATION

- **Allow 3 minutes for the compressor to restart cooling.**
If you turn the air conditioner off and immediately restart it, allow three minutes for the compressor to restart cooling. There is an electronic device in the unit that keeps the compressor turned off for three minutes for safety.
- **In the event of a power failure during use, allow 3 minutes before restarting the unit.**
After power is reinstated, restart the air conditioner. If the power was off for less than three minutes, be sure to wait at least three minutes before restarting the unit. If you restart the air conditioner within three minutes, a protective device in the unit may cause the compressor to shut off. This protective device will prevent cooling for about 5 minutes. Any previous settings will be canceled and the unit will return to its initial settings.
- **Low temperature operation: Is your unit freezing up?**
Freezing may occur when the unit is set close to 64°F in low ambient temperature conditions, especially at night.
In these conditions, a further temperature drop may cause the unit to freeze.
Setting the unit to a higher temperature will prevent it from freezing.
- **Dehumidification mode increases room temperature.**
The unit generates heat during dehumidification mode and the room temperature will rise. Warm air will be blown out from the Exhaust air outlet, but this is normal and does not indicate a problem with the unit.
- **This air conditioner blows the warm air generated by the unit outside the room via the exhaust hose while in cool mode.**
Accordingly, the same amount of air as that blown out will enter the room from outside through any openings into the room.
- **When cooling operation is performed at high humidity conditions, water tank inside the unit may frequently become full.**
When water tank inside the unit is full, the unit stops operating and TIMER, OPERATION and MEGA COOL lamps will blink. In this case, perform drainage to drain out water within the unit. (See page 29)

OPERATING CONDITIONS

- **The air conditioner must be operated within the temperature range indicated below.**

MODE	ROOM TEMPERATURE
COOL	64°F~95°F
Dehumidification	59°F~95°F

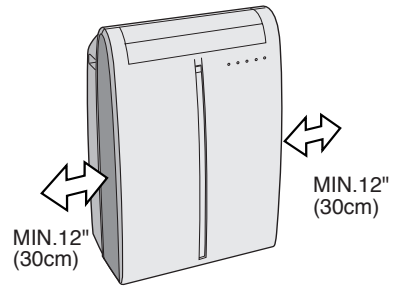
- A built-in safety device may cut off operation if the temperature exceeds these limits.
- When cooling operation is performed at high room temperature, the fan may run slightly slowed.

ENERGY EFFICIENCY TIPS

- **Avoid direct sunlight.**
Close blinds, drapes or shades to keep out direct sunlight while in cooling mode.
- **Keep the filter clean.**
Keeping the filter clean greatly aids efficient operation.
A dirty filter blocks the flow of air, making your air conditioner work harder and less efficiently. See page 30 on how to clean the filter.
- **Turn off unnecessary lights.**
Your air conditioner must remove the heat produced by your lights or other heat-producing appliances. Turn off any lights or appliances that are not in use.
- **Turn off the air conditioner when no one is home.**
Use only when necessary. The less time the air conditioner is used, the lower the running costs.

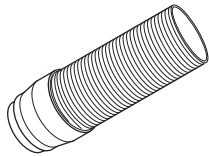
LOCATION

- The air conditioner should be placed on a firm foundation to minimize noise and vibration. For safe and secure positioning, place the unit on a smooth, level floor strong enough to support the unit.
- The unit has casters to aid placement, but it should only be rolled on smooth, flat surfaces. Use caution when rolling on carpet surfaces. Do not attempt to roll the unit over objects.
- The unit must be placed within reach of a properly rated grounded socket.
- Never place any obstacles around the air inlet or outlet of the unit.
- Allow at least 12" (30cm) of space from the wall for efficient air-conditioning.

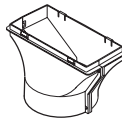


INCLUDED

Exhaust hose (1)



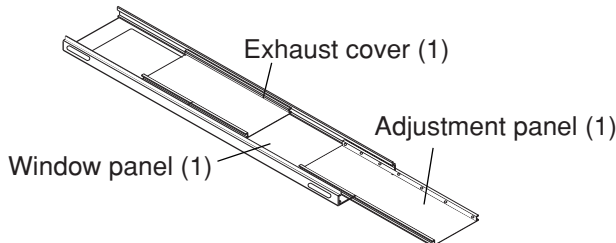
Window exhaust adapter (1)



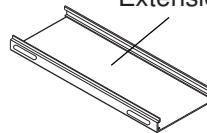
Drainage Grommet (1)



Bracket (1)



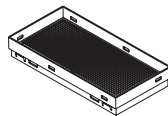
Extension panel (1)



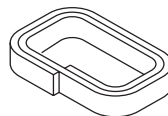
Rain guard (2)



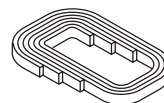
Insect guard net (1)



Foam seal (1)

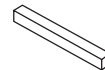


Foam seal (3)
(adhesive type)A



(thickness:1/5")

Foam seal (1)
(adhesive type)B



(thickness:2/5")

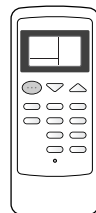
Hose clamp (1)



Screw (8)



Remote control (1)



Battery (2)
(AAA.R03)



Manual (1)

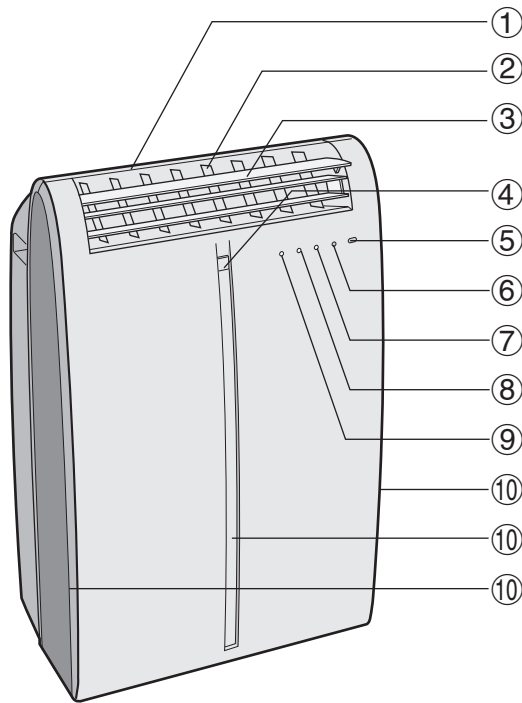


SUGGESTED TOOLS FOR WINDOW PANEL INSTALLATION

1. Screwdriver (medium size Phillips)
2. Tape measure or ruler
3. Knife or scissors
4. Saw (In the event that the window panel needs to be cut down in size because the window is too narrow for direct installation.)

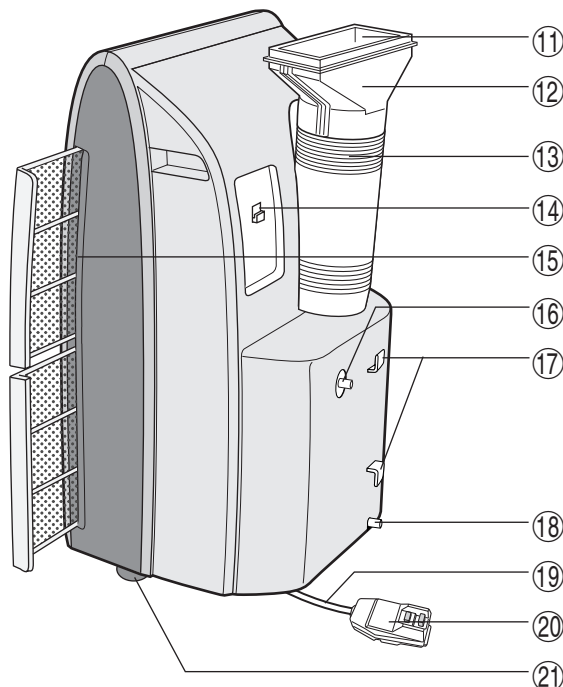
PART NAMES

FRONT VIEW



- ① Air Outlet
- ② Vertical louvers
- ③ Horizontal louvers
- ④ PLASMACLUSTER Lamp (blue)
- ⑤ Remote control signal receiver window
- ⑥ POWER Button
- ⑦ OPERATION Lamp (red)
- ⑧ TIMER Lamp (orange)
- ⑨ MEGA COOL Lamp (green)
- ⑩ Air inlet

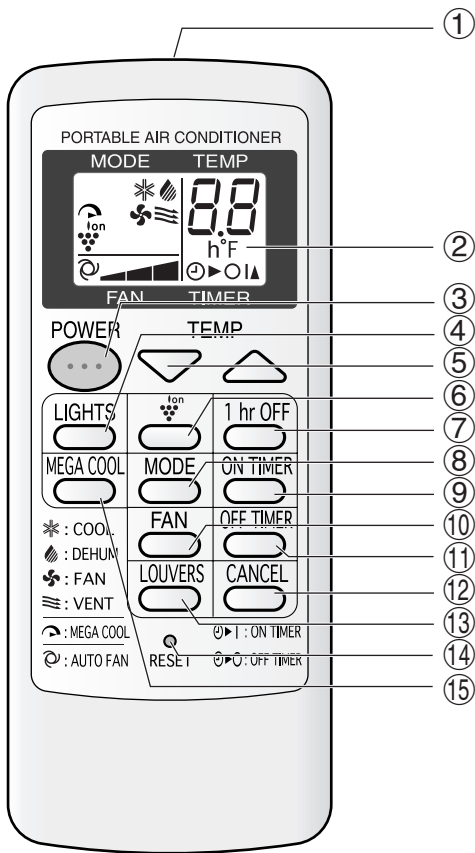
REAR VIEW



- ⑪ Exhaust air outlet
- ⑫ Window exhaust adapter
- ⑬ Exhaust hose
- ⑭ Remote control hook
- ⑮ Air filters
- ⑯ Drainage nozzle and stopcock
- ⑰ Power supply cord hooks
- ⑱ Drainpipe nozzle and stopcock
- ⑲ Power supply cord
- ⑳ Power plug
- ㉑ Casters(4)

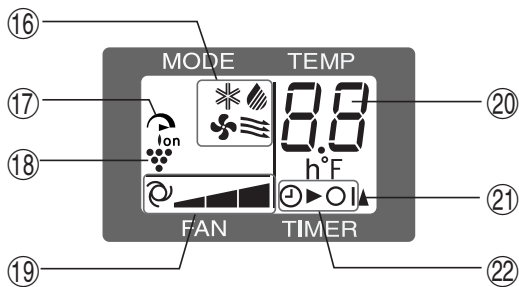
NOTE: Actual unit might vary slightly from above illustration.

REMOTE CONTROL



- ① Transmitter
- ② Display
- ③ POWER Button
- ④ LIGHTS Button
- ⑤ TEMPERATURE Button
- ⑥ PLASMACLUSTER Button
- ⑦ 1 hr OFF Button
- ⑧ MODE Button
- ⑨ ON TIMER Button
- ⑩ FAN Button
- ⑪ OFF TIMER Button
- ⑫ CANCEL Button
- ⑬ LOUVERS Button
- ⑭ RESET Button
- ⑮ MEGA COOL Button

REMOTE CONTROL DISPLAY



- ⑯ **MODE SYMBOLS**
 - * : COOL ▨ : DEHUMIDIFICATION
 - ⋄ : FAN ≡ : VENTILATION
- ⑰ **MEGA COOL SYMBOL**
- ⑱ **PLASMACLUSTER SYMBOL**
- ⑲ **FAN SPEED SYMBOLS**
 - ⌚ : AUTO ▴▴▴ : Manual setting
- ⑳ **TEMPERATURE AND TIMER COUNT DOWN INDICATOR**
- ㉑ **TRANSMITTING SYMBOL**
- ㉒ **ON TIMER / OFF TIMER SYMBOL**

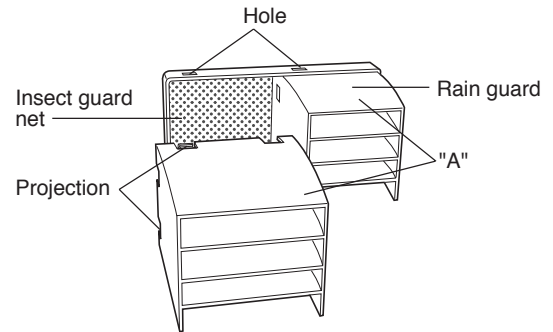
INSTALL WINDOW PANEL

Installation in a double-hung sash window

(See page 14 for installation in a sliding sash window.)

1 Connect the rain guards to the insect guard net.

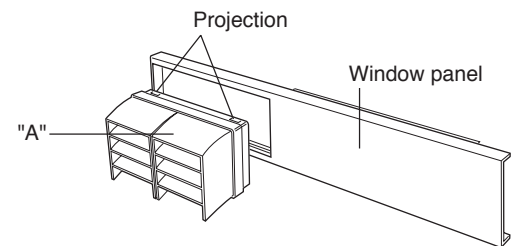
Insert all three projections on each rain guard into the holes in the insect guard net. Side "A" will now be uppermost, as indicated in the diagram.



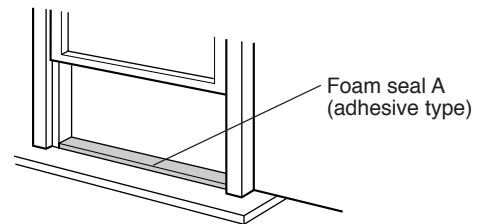
2 Attach the guard combined above to the window panel

Push the insect guard net firmly to ensure that its four projections fit into the holes in the window panel.

Side "A" will now be at the top, as indicated in the diagram.



3 Cut the foam seal A (adhesive type) to the proper length and attach it to the window stool.

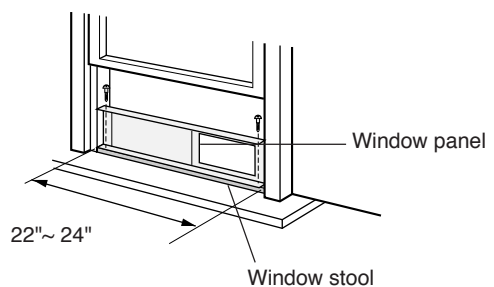
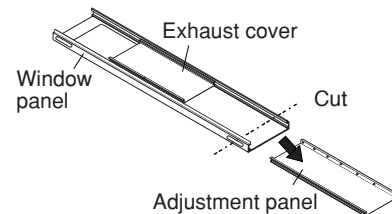


4 Attach the window panel to the window stool.

If the inner width of the window is between 22" (559mm) and 24" (609mm) inclusive.

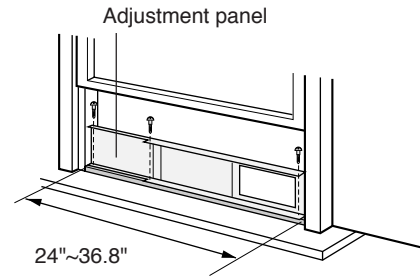
The window panel cannot be installed in windows less than 22" (559mm) wide, as you will be unable to shut the exhaust cover.

- (1) Remove the adjustment panel from the window panel, and cut the window panel to the same width as the window.
- (2) Open the window sash and place the window panel on the window stool
- (3) Secure the window panel to the window stool with 2 screws.



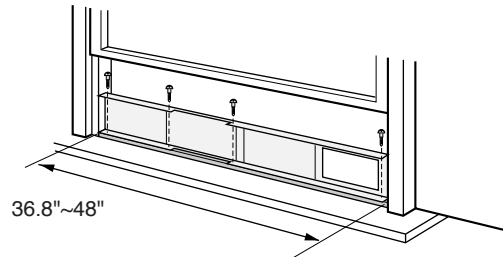
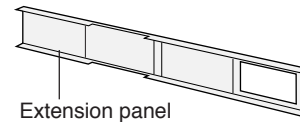
If the inner width of the window is between 24" (609mm) and 36.8" (934mm) inclusive.

- (1) Open the window sash and place the window panel on the window stool.
- (2) Slide the adjustment panel to fit the window frame width.
- (3) Secure the window panel to the stool with 3 screws.



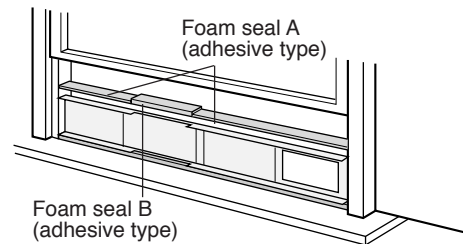
If the inner width of the window is between 36.8" (934mm) and 48" (1219mm) inclusive.

- (1) Attach the extension panel to the adjustment panel.
- (2) Open the window sash and place the window panel on the window stool.
- (3) Slide the adjustment and extension panels to fit the window frame width.
- (4) Secure the window panel to the window stool with 4 screws.



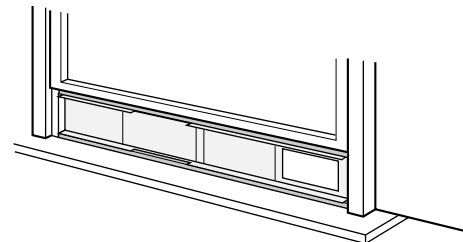
5 Cut the foam seals (adhesive type) A and B to the proper length and attach it to the window panel.

Attach foam seal A to the window panel and extension panel, and attach foam seal B to the adjustment panel.

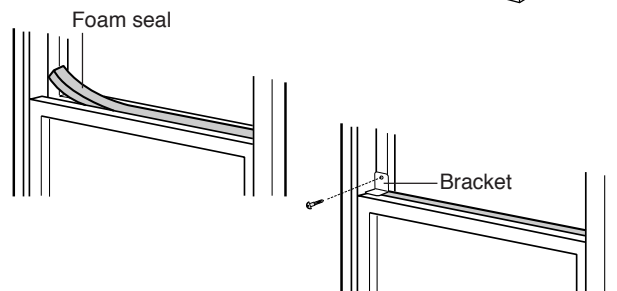


6 Close the window sash securely against the Window panel.

7 Cut the foam seal to an appropriate length and seal the opening between the top of the inner window sash and the outer window sash.



8 Attach a bracket with the screw.



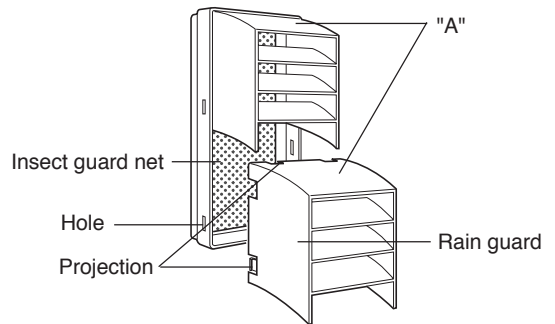
INSTALL WINDOW PANEL

Installation in a sliding sash window

(See page 12 for installation in a double-hung window.)

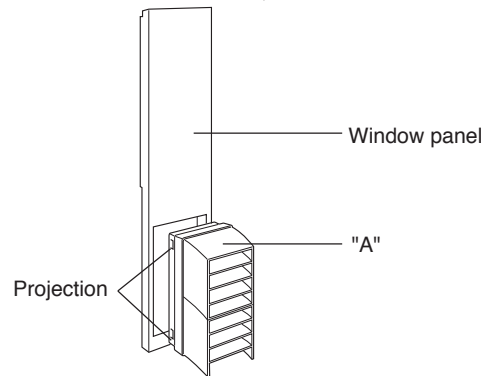
1 Connect the rain guards to the insect guard net.

Insert all three projections on each rain guard into the holes in the insect guard net. Side "A" will now be uppermost, as indicated in the diagram.

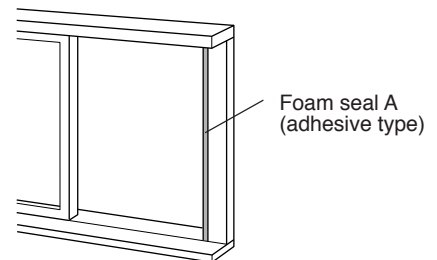


2 Attach the guard combined above to the window panel.

Push the insect guard net firmly to ensure that its four projections fit into the holes in the window panel. Side "A" will now be at the top, as indicated in the diagram, when it is installed in the window.



3 Cut the foam seal A (adhesive type) to the proper length and attach it to the window frame.

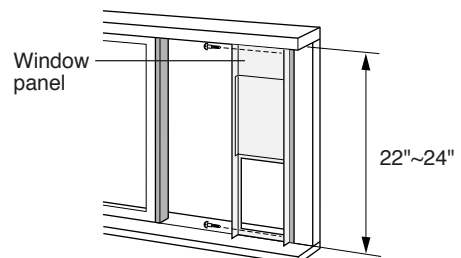
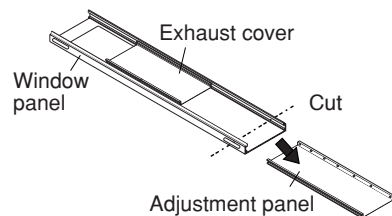


4 Install the window panel into the window frame.

If the inner height of the window is between 22" (559mm) and 24" (609mm) inclusive.

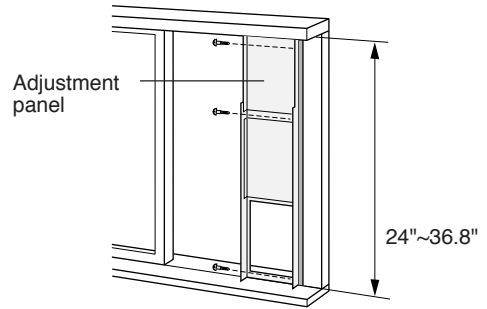
The window panel cannot be installed in windows less than 22" (559mm) high, as you will be unable to shut the exhaust cover.

- (1) Remove the adjustment panel from the window panel, and cut the window panel to the same height as the window.
- (2) Open the window sash and place the window panel on the window frame.
- (3) Secure the window panel to the window frame with 2 screws.



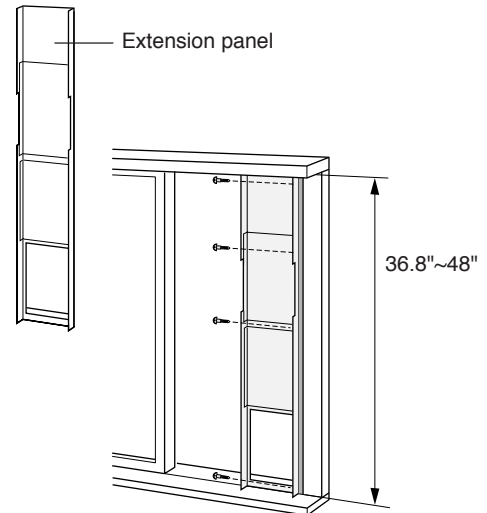
If the inner height of the window is between 24" (609mm) and 36.8" (934mm) inclusive.

- (1) Open the window sash and place the window panel on the window frame.
- (2) Slide the adjustment panel to fit the window frame height.
- (3) Secure the window panel to the window frame with 3 screws.



If the inner height of the window is between 36.8" (934mm) and 48" (1219mm) inclusive.

- (1) Attach the extension panel to the adjustment panel.
- (2) Open the window sash and place the window panel on the window frame.
- (3) Slide the adjustment and extension panels to fit the window frame height.
- (4) Secure the window panel to the window frame with 4 screws.



5 Cut the foam seals (adhesive type) A and B to the proper length and attach them to the window panel.

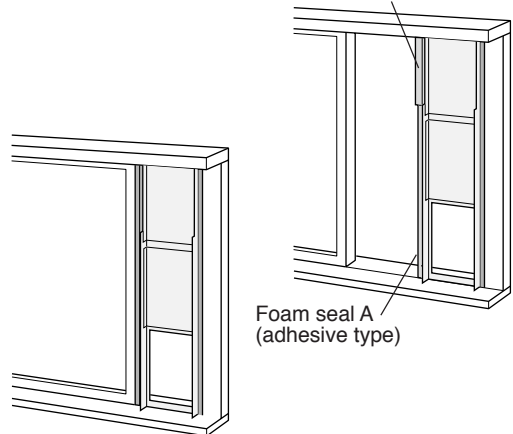
Attach foam seal A to the window panel and extension panel, and attach foam seal B to the adjustment panel.

Foam seal B (adhesive type)

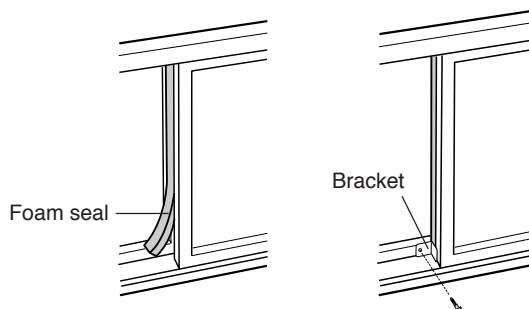
6 Close the window sash securely against the Window panel.

7 Cut the foam seal to an appropriate length and seal the opening between the side of the inner window sash and the outer window sash.

8 Attach a bracket with the screw.



Foam seal A (adhesive type)



INSTALLATION AND REMOVAL OF EXHAUST HOSE

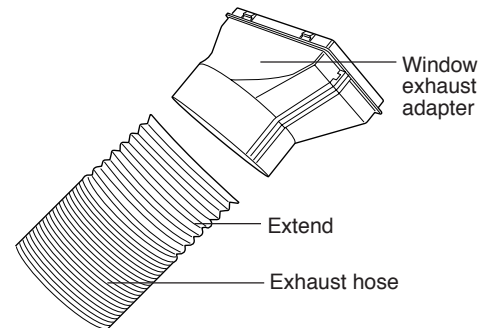
The exhaust hose must be installed or removed in accordance with the usage mode.

MODE	EXHAUST HOSE
COOL, FAN, VENTILATION, DEHUMIDIFICATION with no container	Install
DEHUMIDIFICATION with container(minimum capacity 3 ¹ / ₂ gallons)	Remove

Installation of the exhaust hose

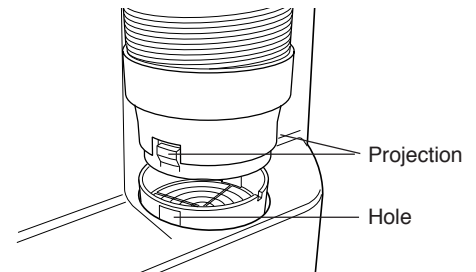
1 Attach the window exhaust adapter to the exhaust hose.

Extend one end of the exhaust hose and insert it into the window exhaust adapter, and turn it (approx. three times) until it stops. Make sure they are securely attached afterwards.



2 Attach the exhaust hose adapter to the unit.

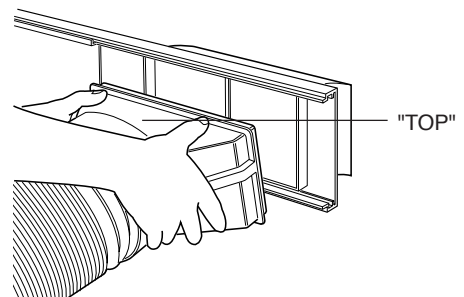
Insert the two projections on the exhaust hose adapter into the two holes on the unit, and firmly attach them to each other.



3 Slide and open the exhaust cover on the window panel, and attach the window exhaust adapter.

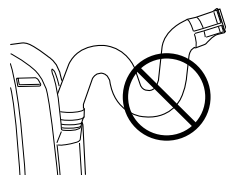
Surface of window exhaust adapter marked "TOP" should be at the top when it is installed in a double-hung sash window.

Surface of window exhaust adapter marked "TOP" should be on the window frame side when it is installed in a sliding sash window.

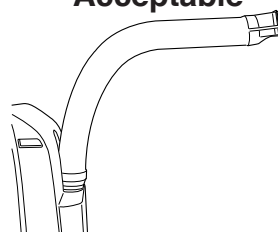


The exhaust hose should be as short as possible for operational efficiency; however, it must not be twisted or bent.

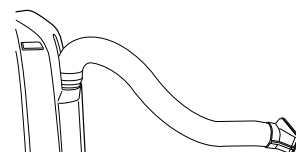
Unacceptable



Acceptable



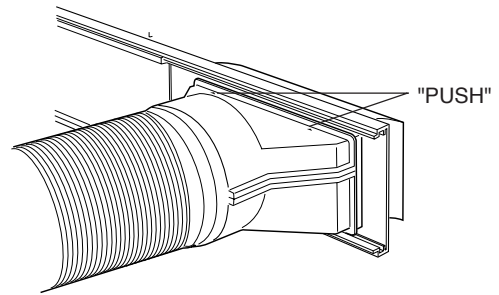
Acceptable



Removal of the exhaust hose

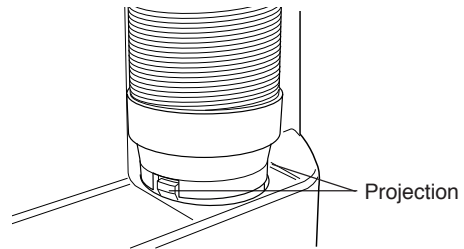
1 Remove the window exhaust adapter.

Pull out and remove the window exhaust adapter by pushing down two "PUSH" markings, and slide and close the exhaust cover in the window panel.



2 Remove the exhaust hose adapter from the unit.

Lift up and remove the exhaust hose adapter from the unit by pushing down on the two projections.

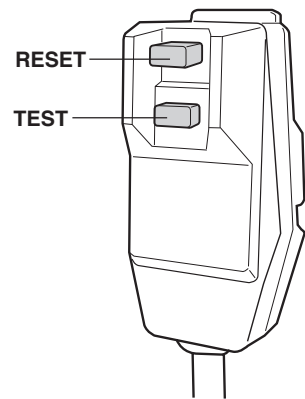


PRE-OPERATION CHECKS

POWER PLUG CHECK

This air conditioner uses a fused power plug. Always check the power plug before use.

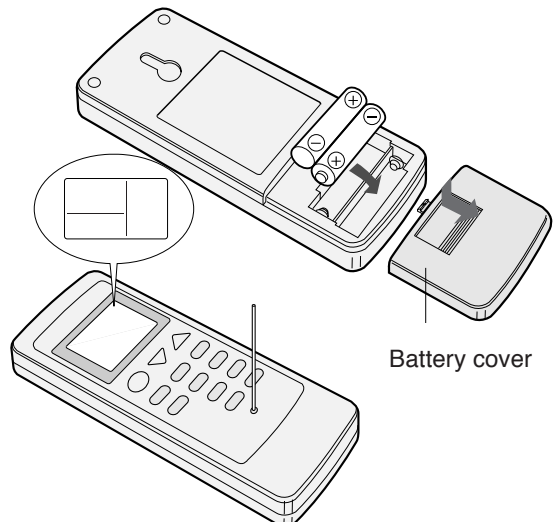
- 1 Press the RESET button.**
- 2 Insert the power plug into the wall socket.**
- 3 Press the TEST button.**
You will hear a **CLICK** if the circuit breaker is functioning correctly.
- 4 Press the RESET button until you hear another CLICK.**
The circuit breaker is activated, power is supplied, and the air conditioner is now ready for use.



Do not attempt to use the air conditioner if the above procedure is impossible, as it is malfunctioning. Disconnect the power plug and request service.

LOADING BATTERIES Use two AAA (R03) batteries.

- 1 Remove the battery cover at the back of the remote control.**
- 2 Insert batteries into the compartment, making sure the \oplus and \ominus polarities are correctly aligned.**
 - Lines will appear on the display when batteries are properly installed.
- 3 Reattach the battery cover.**
- 4 Press the RESET button using a thin pointed implement.**



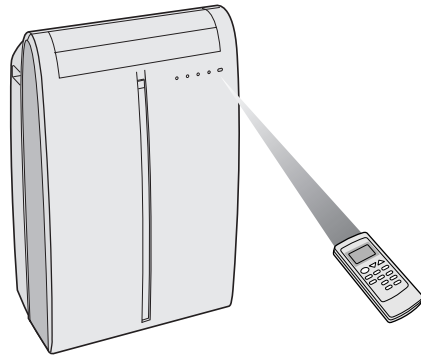
NOTES:

- The battery should last approximately one year under normal use.
- When replacing the batteries, always change both batteries at the same time, and make sure they are the same type.
- If the remote control does not operate normally after replacing the batteries, press the RESET button using a thin pointed implement.
- If you will not be using the unit for a prolonged period, remove the batteries from the remote control.

HOW TO USE THE REMOTE CONTROL

Point the remote control towards the unit's signal receiver window and press the desired button. A beep will sound when the unit receives the signal.

- Make sure nothing, such as curtains, blocks the signal receiver window.
- The remote control operates up to 23 feet (7 meters) away.

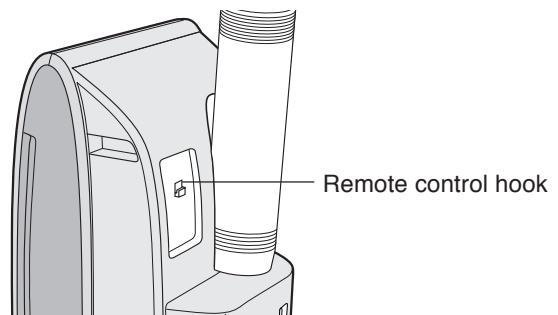


CAUTION

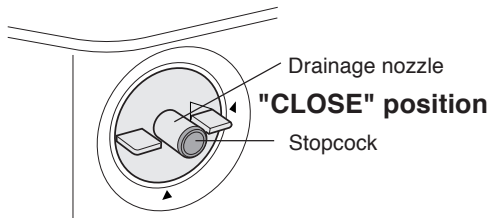
- Do not expose the signal receiver window to direct sunlight. This may adversely affect its operation. If necessary, close the curtains to block out the sunlight.
- Use of a fluorescent lamp in the same room may interfere with transmission of the signal.
- The unit may be affected by signals emitted from other remote controllers for televisions, VCRs or other equipment used in the same room.
- Do not leave the remote control exposed to direct sunlight or near a heater. Protect the remote control from moisture and shock which can discolor or damage it.

To prevent the remote control from being misplaced, hook it to the unit when not in use.

When attached, to remove the remote control from the unit, lift the remote control up slightly and pull it out.



COOL MODE



Install the exhaust hose (See Page16), turn the drainage nozzle to the CLOSE position, and check the drainage nozzle is covered with the stopcock.

- 1 Press the **MODE** button to select **COOL** mode.

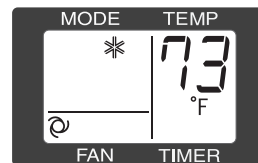


- 2 Press the **POWER** button to start operation.

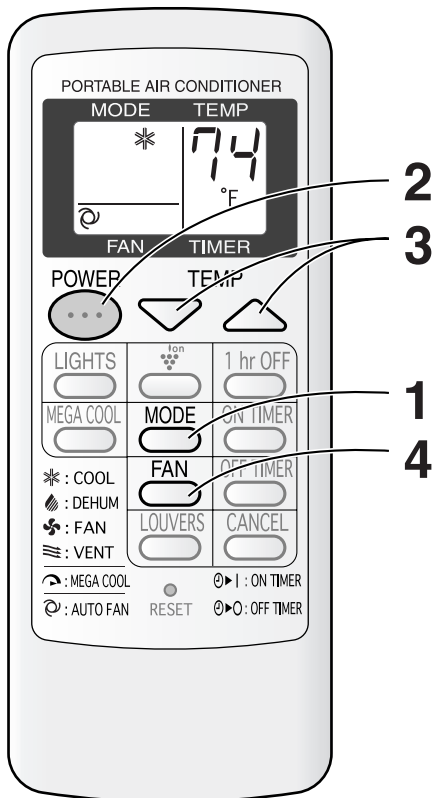
- The red OPERATION lamp on the unit will light.

- 3 Press the **TEMPERATURE** button to set the desired temperature.

- The temperature can be set within the range of 64°F to 86°F.



- 4 Press the **FAN** button to set the desired fan speed.



TO TURN OFF

Press the **POWER** button again.

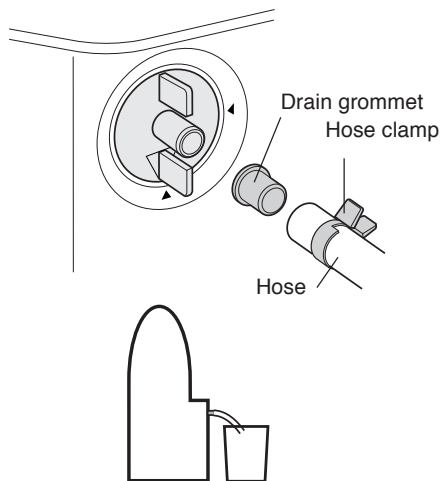
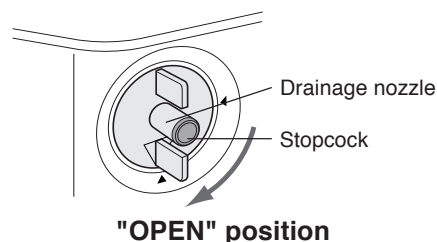
- The red OPERATION lamp on the unit will turn off.

DEHUMIDIFICATION MODE

In this mode, the air conditioner dehumidifies the room.

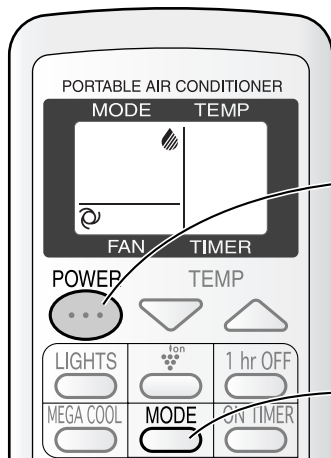
Dehumidification with container

- 1 Remove the exhaust hose (See Page 17)
- 2 Turn the drainage nozzle to the OPEN position.
- 3 Pull the stopcock out from the drainage nozzle.
 - When the stopcock is removed, a small amount of water may be discharged from the drainage nozzle.
 - Always perform this procedure with the unit turned off.
 - Drain water will spout out if attempted during operation.
- 4 Insert the hose clamp onto a standard commercially-available hose (5/8" inner diameter, 7/8" outer diameter) and attach the drain grommet to the hose.
- 5 Attach the hose to the drainage nozzle, and secure it with the hose clamp.
 - Insert the hose securely into a container with a minimum capacity of 3 1/2 gallons. Be sure to monitor the water level in the container and empty as necessary. Do not operate in dehumidify mode for more than 8 hours at a time. Be sure to empty the water container whenever dehumidify mode is started. Failure to empty the water container can cause the container to overflow and cause damage to underlying materials.
 - Set the hose sloping downwards for easier drainage. Moreover, do not bend the hose at any point, nor allow the end to be submerged in water.



Dehumidification with no container

If draining of the water is not desirable, install the exhaust hose (See Page 16), turn the drainage nozzle to the CLOSE position, and check that the drainage nozzle is covered with the stopcock. In this operation, the water tank inside the unit may be full, the unit stops operating and then the TIMER, OPERATION and MEGA COOL lamps are blinking, depending on room condition. In this case, drain out the water within the unit (See Page 29).



- 1 Press the MODE button to select DEHUMIDIFICATION mode.



- 2 Press the power button to start operation.

- The red OPERATION lamp on the unit will light.
- The temperature cannot be set.
- The fan speed is preset to AUTO and cannot be changed.

1 TO TURN OFF

Press the POWER button again.

- The red OPERATION lamp on the unit will turn off.

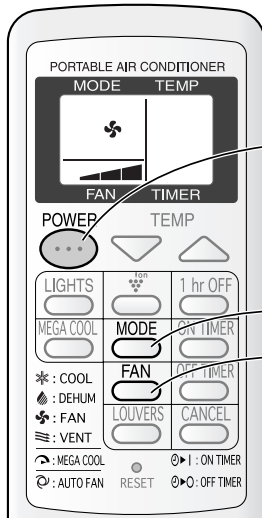
CAUTION

When operating dehumidification with container, the unit generates heat during dehumidification mode and the room temperature will rise. Operate dehumidification with no container if you don't want the room temperature to rise. This will help to slightly drop the room temperature, but dehumidification performance will become less effective than when operating dehumidification with container.

FAN MODE

In this mode, the air conditioner simply circulates the air without cooling it.

Install the exhaust hose (See Page 16), turn the drainage nozzle to the CLOSE position, and check the drainage nozzle is covered with the stopcock.



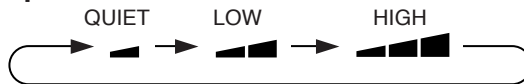
1 Press the MODE button to select FAN mode.



2 Press the POWER button to start operation.

- The red OPERATION lamp on the unit will light.
- The temperature cannot be set.

3 Press the FAN button to set the desired fan speed.



TO TURN OFF

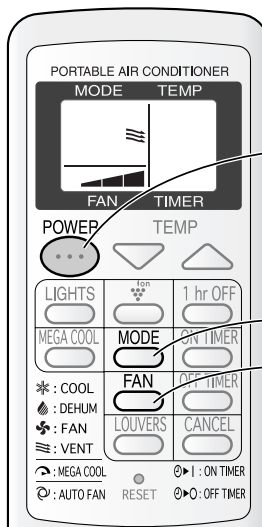
Press the POWER button again.

- The red OPERATION lamp on the unit will turn off.

VENTILATION MODE

In this mode, the air conditioner ventilates the air to outdoors.

Install the exhaust hose (See Page 16), turn the drainage nozzle to the CLOSE position, and check the drainage nozzle is covered with the stopcock.



1 Press the MODE button to select VENT mode.

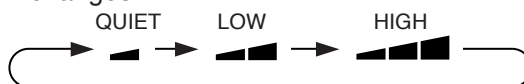


2 Press the POWER button to start operation.

- The red OPERATION lamp on the unit will light.
- The temperature cannot be set.

3 Press the FAN button to set the desired fan speed.

- Although the louvers are closed and no air blows out into the room, the external ventilation fan speed changes.



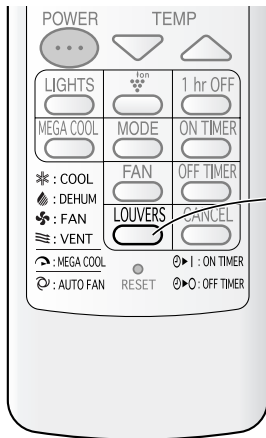
TO TURN OFF

Press the POWER button again.

- The red OPERATION lamp on the unit will turn off.

TO CHANGE AIR FLOW DIRECTION

UP / DOWN AIR FLOW DIRECTION



1
2

1 Press the **LOUVERS** button on the remote control.

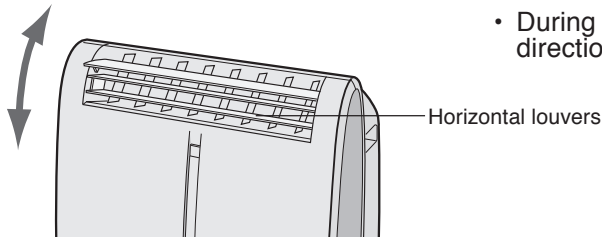
- The horizontal louvers will swing continuously.

2 Press the **LOUVERS** button again when the horizontal louvers are at the desired position.

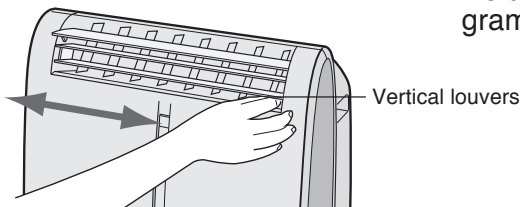
- The horizontal louvers will stop moving.
- The adjusted position will be memorized and the same position will be set automatically when operated the next time.

NOTE

- During VENTILATION mode, UP/DOWN air flow direction cannot be changed.



LEFT / RIGHT AIR FLOW DIRECTION



Hold the vertical louver as shown in the diagram and adjust the air flow direction.

CAUTION

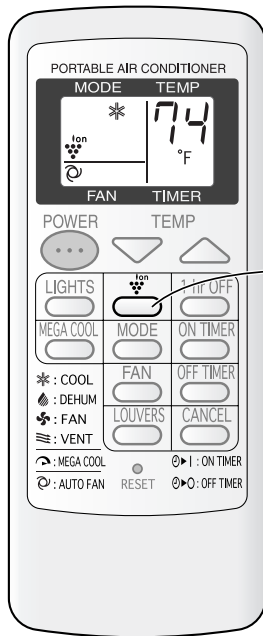
Never attempt to adjust the horizontal louvers manually.

- Manual adjustment of the horizontal louvers can cause the unit to malfunction when the remote control is used for adjustment.
- When the horizontal louvers are positioned at the lowest position in the COOL or DEHUMIDIFICATION mode for an extended period of time, condensation may result.


Do not adjust the vertical louvers to the extreme left or right in the COOL mode with the fan speed set to "QUIET (■)" for an extended period of time. Condensation may form on the louvers.

PLASMACLUSTER OPERATION

The Plasmacluster ion generator inside the air conditioner will release positive and negative Plasmacluster ions into the room. Approximately the same numbers of positive and negative ions are released into the air.



1 Press the PLASMACLUSTER button during operation.

- The remote control will display “”.
- The blue PLASMACLUSTER lamp on the unit will light.

TO CANCEL

1 Press the PLASMACLUSTER button again.

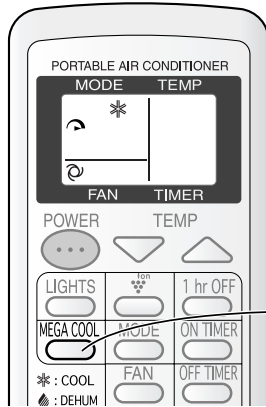
- The PLASMACLUSTER lamp on the unit will turn off.

NOTES:


- Use of the PLASMACLUSTER function will be memorized and it will be activated the next time you turn on the air conditioner.
- To turn off the PLASMACLUSTER Lamp, press the LIGHTS button.
- PLASMACLUSTER operation cannot be set during VENTILATION mode.

MEGA COOL OPERATION

In this operation, the air conditioner fan works at extra high speed with a setting temperature of 59°F.



1 Press the **MEGA COOL** button during cooling mode.

- The remote control will display "  " .
- The temperature display will go off.
- The green MEGA COOL lamp on the unit will light.

TO CANCEL

Press the MEGA COOL button again.

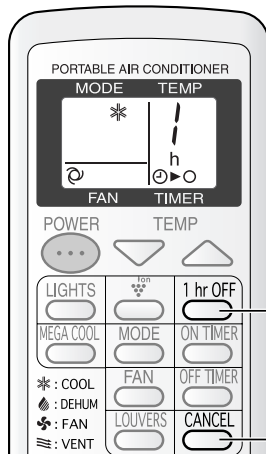
- MEGA COOL operation is also cancelled when the mode is changed, or when the unit is turned off.
- The green MEGA COOL lamp on the unit will turn off.

NOTES:

- You cannot set the temperature or fan speed during MEGA COOL operation.
- The fan returns to the HIGH speed setting after the unit has run for 30 minutes in MEGA COOL mode.
- The extra high fan speed may automatically slow down to protect the unit.

ONE-HOUR OFF TIMER

When the ONE-HOUR OFF TIMER is set, the unit will automatically turn off after one hour.



1 Press the **1 hr OFF** button.

- The remote control displays "  " .
- The orange TIMER lamp on the unit will light.
- The unit will stop operating after one hour.

TO CANCEL

Press the CANCEL button.

- The orange TIMER lamp on the unit will turn off.

Alternatively, turn the unit off by pressing the **POWER** button.

- The red OPERATION lamp and the orange TIMER lamp on the unit will turn off.

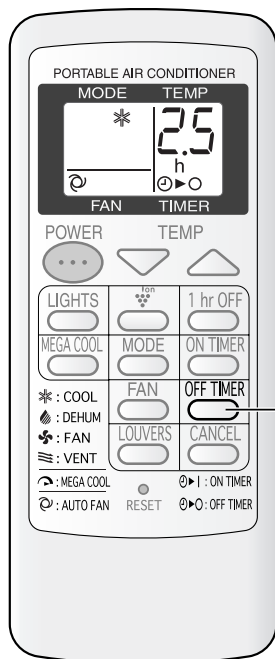
NOTES:

- The ONE-HOUR OFF TIMER operation has priority over ON TIMER and OFF TIMER operations.
- If the ONE-HOUR OFF TIMER is set while the unit is not operating, the unit will operate for an hour at the formerly set condition.
- If you wish to operate the unit for another hour before the ONE-HOUR OFF TIMER is activated, press the 1hr OFF TIMER button again during operation.

TIMER OPERATION

OFF TIMER

The unit will turn off automatically according to your setting. Timer duration can be set from a minimum of half an hour (30 minutes) to a maximum of 12 hours. Up to 9.5 hours, you can set in half-hour (30-minutes) increments and from 10 to 12 hours, in 1-hour increments.

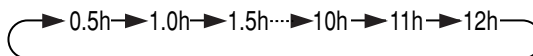


Display shown when you set the unit to turn off 2.5 hours later.

Point the remote control at the signal receiver window on the unit.

1 Press the OFF TIMER button and set the time as desired.

- The time setting will change as you press the button as follows.



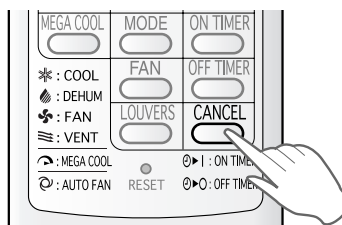
Hold the button down to speed through the settings.

- The orange TIMER lamp on the unit will light.
- The unit will emit a beep when it receives the signal.
- The time setting will count down to show the remaining time.

TO CANCEL TIMER

Press the CANCEL button.

- The orange TIMER lamp on the unit will turn off.

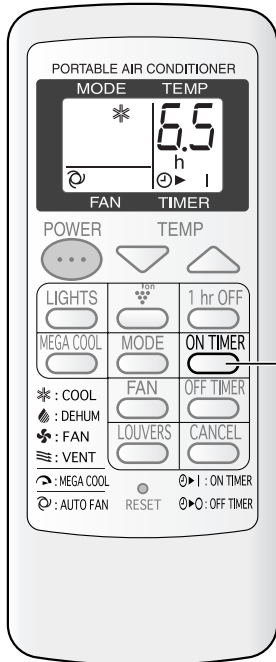


NOTES ON TIMER SETTING AND OPERATION

- The latest time setting will be memorized and will appear on the remote control display the next time you set the OFF TIMER or ON TIMER.
- The OFF TIMER and ON TIMER can not be set together. Only the most recent TIMER setting will be valid.
- While the ONE-HOUR OFF TIMER is set, the OFF TIMER and ON TIMER settings are unavailable.
- If the ONE-HOUR OFF TIMER is set while the OFF TIMER or ON TIMER is activated, the ON TIMER or OFF TIMER setting will be cancelled.
- If a power failure occurs while the OFF TIMER or ON TIMER is set, the TIMER setting will be cancelled and will not be retrieved even after the power is restored.

ON TIMER

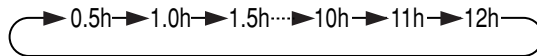
The unit will turn on automatically according to your setting. Timer duration can be set from a minimum of half an hour (30 minutes) to a maximum of 12 hours. Up to 9.5 hours, you can set in half-hour (30-minute) increments and from 10 to 12 hours, in 1-hour increments.



Point the remote control at the signal receiver window on the unit.

1 Press the ON TIMER button.

- The time setting will change as you press the button as follows.



Hold the button down to speed through the settings.

- The orange TIMER lamp on the unit will light.
- The unit will emit a beep when it receives the signal.
- The time setting will count down to show the remaining time.

Select the mode, temperature, fan speed setting and PLASMACLUSTER operation as desired.

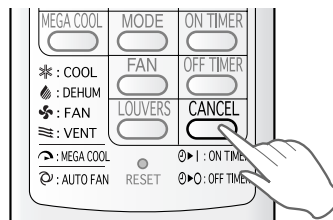
- When the temperature is set with the ON TIMER, the temperature will show in the display for 5 seconds and then return to the time display.
- If you do not change the setting, the unit will operate using the most recent setting.

Display shown when you set the unit to turn on 6.5 hours later.

TO CANCEL TIMER

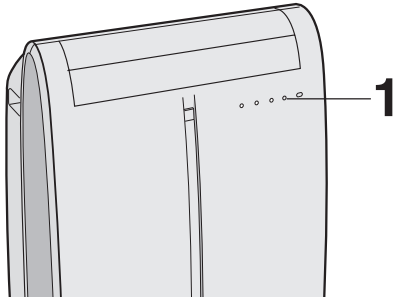
Press the CANCEL button.

- The orange TIMER lamp on the unit will turn off.



MAIN UNIT OPERATION

Use this mode when the remote control is not available.



1 Press the **POWER** button on the unit.

- The red OPERATION lamp on the unit will light.
- If the unit has not been unplugged since it was last operated, it will resume operation at its last settings.
- If the unit has been unplugged since it was last operated, it will resume operation in the cooling mode, set at 68°F. The fan speed set to AUTO.

TO TURN OFF

Press the POWER button again.

- The red OPERATION lamp on the unit will turn off.

NOTES:

- Upon starting MAIN UNIT operation, the drainage pump inside the unit runs for about a minute, which may produce an audible gurgling sound.

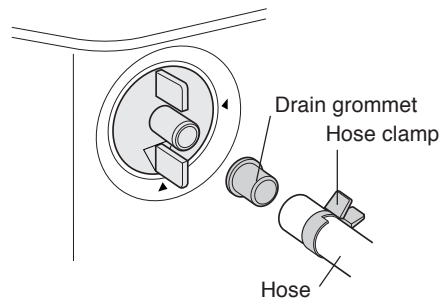
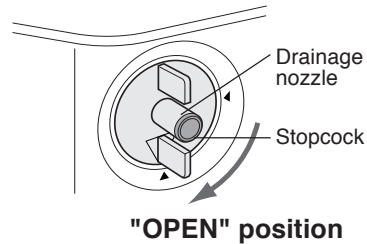
DRAINAGE

Prepare for drainage and drain out water within the unit in the following cases.

ENGLISH

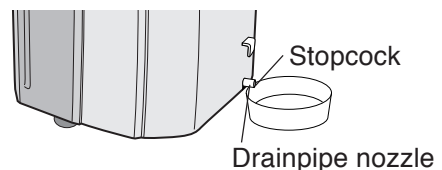
If the unit stops operating and the **TIMER**, **OPERATION** and **MEGA COOL** lamps are blinking. (This indicates that the water tank inside the unit is full.)

- 1 Make sure to turn the unit off.**
- 2 Turn the drainage nozzle to the OPEN position.**
- 3 Pull the stopcock out from the drainage nozzle.**
 - When the stopcock is removed, a small amount of water may be discharged from the drainage nozzle.
- 4 Insert the hose clamp into a standard commercially available hose (5/8" inner diameter, 7/8" outer diameter) and attach the drain grommet to the hose.**
- 5 Attach the hose to the drainage nozzle, and secure it with the hose clamp.**
 - Prepare for draining, as drain water will come out through the hose during operation.
- 6 Press the POWER button on the unit twice.**
 - The water will drain out through the drainage hose. Maximum amount of water that may be drained out is approximately 4¹/₅ pints.
 - The **OPERATION**, **TIMER** and **MEGA COOL** lamps will be blinking.
- 7 When drainage water stops running out from the hose, turn the unit off by pressing POWER button.**
 - This will take about one minute.
- 8 Remove the hose from the drainage nozzle, and replace the stopcock.**
 - Keep the hose clamp and drain grommet in case of re-used.
- 9 Turn the drainage nozzle to the CLOSE position.**



Whenever the unit is moved (to prevent water within the unit from spilling).
When the unit is not used for a long time.

- 1 Carry out the above procedures from 1 to 5.**
- 2 Press the POWER button on the unit.**
 - The water will drain out through the drainage hose. Maximum amount of water that may be drained out is approximately 4¹/₅ pints.
 - The **OPERATION** lamps will light.
- 3 When drainage water stops running out from the hose, turn the unit off by pressing POWER button.**
 - This will take about one minute.
- 4 Remove the hose from the drainage nozzle, and replace the stopcock.**
 - Keep the hose clamp and drain grommet in case of re-used.
- 5 Turn the drainage nozzle to the CLOSE position.**
- 6 Remove the stopcock from the drainpipe nozzle, and completely drain any water within the unit.**
 - Always prepare a receptacle to collect the water before draining. Maximum amount of water that may be drained out is approximately 2¹/₅ pints.
- 7 Replace the stopcock to the drainpipe nozzle.**

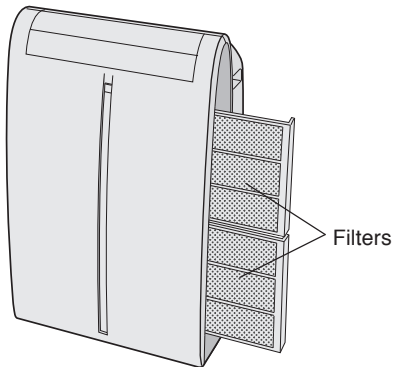


MAINTENANCE

Be sure to disconnect the power from the wall socket before performing any maintenance.

CLEANING THE FILTERS

If the filter is clogged with dust, the airflow will be reduced, resulting in poor cooling performance. The filter should be cleaned every two weeks.



1 REMOVE THE FILTERS

- Gently pull the filter handle to the right and slide the filter out of the unit.

2 CLEAN THE FILTERS

- Use a vacuum cleaner to remove any dust. If the filters are very dirty, wash them with detergent and rinse carefully with clean water. Dry the filters in the shade before reinstalling them.

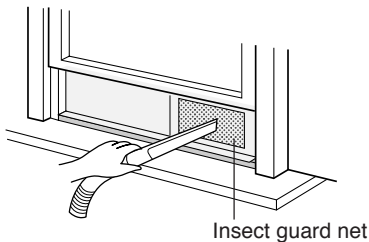
3 REINSTALL THE FILTERS

- Hold the filter handle and gently push the filter back into place. Never operate the unit without the filter. Doing so may result in serious damage to the unit.

CLEANING THE UNIT AND THE REMOTE CONTROL

Wipe them with a soft, dry cloth or with a cloth moistened with a mild soap. Carefully remove any residue by wiping with a damp cloth and dry completely. Avoid splashing water onto the unit. Water can dangerously damage the electrical insulation. Never use harsh chemicals or abrasive cleaners on any part of the unit. To avoid damaging the unit, do not use hot water (120°F/50°C or hotter) when cleaning.

CLEANING THE INSECT GUARD NET



The cooling performance may be reduced or stop completely if the insect guard net becomes clogged with dust.

Periodically remove the window exhaust adapter from the window panel and clean the insect guard net with a vacuum cleaner or suchlike.

MAINTENANCE AFTER AIR CONDITIONER SEASON

- 1 Perform drainage to drain out water within the unit. (See Page 29 "When the unit is not used for a long time").
- 2 Operate the unit in the FAN or VENTILATION mode for about half a day to thoroughly dry inside the unit.
- 3 Clean the filters, then reinstall them.

BEFORE CALLING FOR SERVICE

If the unit appears to be malfunctioning, check the following points before calling for a service.

AIR CONDITIONER DOES NOT OPERATE AT ALL

- Is the unit plugged in or is the plug loose?
- Has the fuse blown or is the circuit breaker tripped?
- Did you restart the unit within 3 minutes of a power failure?
If the power was off for less than 3 minutes when, you restarted the air conditioner, a protective device may cause the compressor to shut off, preventing cooling for about 5 minutes.
- Are the OPERATION, TIMER and MEGA COOL lamps blinking?
The water tank inside the unit is full. It must be drained. (See page29)
- Check the power plug. (See page18)

AIR CONDITIONER DOES NOT COOL PROPERLY

- Is it set to FAN, DEHUMIDIFICATION or VENTILATION mode?
Cooling does not take place in these modes. Change the MODE setting.
- Are the filters clogged with dust?
Clean and replace the filters.
- Is the cooling coil frozen?
No air will blow out if the cooling coil is frozen.
Run the air conditioner in FAN mode with the fan speed set to "HIGH" until all ice dissipates.
- Is the temperature set properly?
- Is the window exposed to direct sunlight?
Close the curtains or blinds to minimize solar energy heating the room.
- Is the exhaust hose too long?
For efficient operation, make the hose as short as possible. The exhaust hose must not be twisted or bent.

SOUNDS

- The unit may seem rather loud for the first 2 to 3 minutes when the unit is turned on. This is the sound of the compressor starting-up and is perfectly normal.
- A soft, swishing noise can be heard immediately after the unit is turned on or off, and also during operation. This is the sound of the refrigerant flowing inside the unit.
- A low buzzing noise is emitted when the unit is generating Plasmacluster ions.
- This air conditioner evaporates water condensed during cooling operation within the unit through the exhaust air outlet. Although water flowing sound may be heard, this is normal.
- An audible gurgling sound may be heard for about a minute upon starting AUXILIARY mode. This is sound of running drainage pump inside the unit.
- **An audible gurgling sound may be heard when the unit is operated on a gently sloping floor. Place the unit on a level floor.**

TIMER DOES NOT WORK PROPERLY

- If a power failure occurs while the TIMER is set, the TIMER setting will be cancelled and will not be retrieved even after the power is restored. This is normal for this unit.

THE UNIT FAILS TO REACT TO THE REMOTE CONTROL SIGNAL

- Check the batteries in the remote control. Replace if necessary.
- Try to send the signal again with the remote control pointed directly at the unit's signal receiver window.
- Check whether the remote control batteries are installed with the polarities properly aligned.

THE DISCHARGED AIR HAS AN ODOR

- Plasmacluster ion generator emit small traces of ozone which may produce an odor. These ozone emissions are below safety levels set by the FDA and Health Canada guidelines.

Le présent manuel explique comment employer correctement votre nouveau climatiseur. Veuillez lire attentivement ce manuel avant usage. Conservez-le dans un endroit sûr pour une consultation commode.

TABLE DES MATIÈRES

• POUR VOUS PROTÉGER	F-2
• GARANTIE LIMITÉE DU CLIENT	F-3
• PRÉCAUTIONS	F-4
• EMPLACEMENT	F-7
• COMPRIS	F-7
• NOMENCLATURE	F-8
• INSTALLATION DU PANNEAU DE FENÊTRE	F-10
• MONTAGE ET DÉMONTAGE DU FLEXIBLE D'ÉVACUATION	F-14
• CONTRÔLES PRÉALABLES	F-16
• MODE FRAIS	F-18
• MODE DÉSHUMIDIFICATION	F-19
• MODE VENTILATEUR	F-20
• MODE VENTILATION	F-20
• RÉORIENTATION DU FLUX D'AIR	F-21
• FONCTIONNEMENT PLASMACLUSTER	F-22
• FONCTIONNEMENT EN MÉGAREFROIDISSEMENT	F-23
• MINUTERIE D'ARRÊT APRÈS UNE HEURE	F-23
• FONCTIONNEMENT AVEC MINUTERIE	F-24
• FONCTIONNEMENT EN MODE D'UNITÉ PRINCIPALE	F-26
• VIDANGE	F-27
• ENTRETIEN	F-28
• AVANT D'APPELER LE SERVICE APRÈS-VENTE	F-29

Déclaration de conformité Climatiseur de chambre de SHARP CV-P09LX, CV-P12LX, CV-P10MX
Cet appareil ISM est conforme à la norme NMB-001 du Canada

Équipe responsable:

Sharp Électronique du Canada Ltée.
335 Britannia Road East, Mississauga, Ontario L4Z 1W9 Canada
TEL: (905) 568-7140

POUR VOUS PROTÉGER

Pour nous aider à répondre à vos questions au cas où vous appelleriez pour nous demander d'intervenir ou pour déclarer le vol ou la perte de votre machine, veuillez écrire les numéros de modèle et de série de la machine dans les espaces indiqués en bas de cette page. Vous trouverez ces numéros sur le dos de l'unité.

NUMÉRO DE MODÈLE

NUMÉRO DE SÉRIE

DATE D'ACHAT

Nom du Détaillant

Adresse

Ville

Province

Code Postal

Téléphone

POUR TÉLÉPHONER : Composez le 1-905-568-7140 pour :

SERVICE (Pour obtenir les coordonnées du Centre de service agréé Sharp le plus proche)

PIÈCES (Pour le nom d'un Revendeur de Pièces Agréé)

ACCESSOIRES

AUTRES INFORMATIONS

POUR NOUS ÉCRIRE : Pour de l'aide côté service, des informations sur la garantie, des pièces manquantes ou autre :

Sharp Électronique du Canada Ltée.
Service aux Client(e)s
335 Britannia Road East
Mississauga, Ontario L4Z 1W9

SHARP®

GARANTIE LIMITÉE

Produits électronique grand public

Bravo! Vous venez de faire un excellent achat!

Sharp Électronique du Canada Ltée (ci-après nommée "Sharp") donne la garantie expresse suivante à l'acheteur initial du produit ci-dessous mentionné de Sharp, si celui-ci est emballé dans son contenant original et s'il est vendu et distribué au Canada par Sharp ou par un Détaillant autorisé Sharp.

Sharp garantit que ledit produit est, s'il est utilisé et entretenu normalement, exempt de défaut de fabrication. Si un défaut de fabrication est décelé durant la période de garantie stipulée, Sharp s'engage à réparer ou remplacer, selon son choix, le produit spécifié ci-dessous.

La garantie offerte par Sharp ne s'applique pas:

- (a) Aux appareils qui ont été l'objet d'un emploi abusif, de négligence, d'un accident, d'une installation inadéquate ou d'une utilisation non appropriée, tel qu'il est mentionné dans le manuel du propriétaire;
- (b) Aux produits Sharp altérés, modifiés, réglés ou réparés ailleurs qu'aux bureaux de Sharp, à un centre agréé de service Sharp ou à un Détaillant autorisé au service Sharp;
- (c) Au dommage causé ou réparation requise à la suite de l'utilisation avec des articles non désignés ou approuvés par Sharp, y compris, mais non limité aux rubans pour nettoyage de tête et les nettoyeurs chimiques;
- (d) Au remplacement des accessoires, des pièces en verre, des articles consommables ou périphériques, devenu nécessaire à la suite d'une utilisation normale du produit, y compris, mais sans en être limité aux écouteurs, les télécommandes, les adaptateurs c.a., les piles, la sonde de température, les pointes de lecture, les plateaux, les filtres, les courroies, rubans, papier ou autre;
- (e) Aux défauts cosmétiques à la surface ou à l'extérieur de l'appareil, et qui sont causés par une usure normale;
- (f) Aux dommages causés par des conditions extérieures et relatives à l'environnement, y compris mais non limité à du liquide répandu, une tension de la ligne électrique ou de transmission trop élevée ou autre;
- (g) Aux produits dont le numéro de série et de modèle ou le marquage CSA/CUL, ou les deux, ont été enlevés ou effacés;
- (h) Aux produits de consommation utilisés à des fins de location.
- (i) Aux coûts d'installation, configuration et/ou programmation.

Si un défaut de fabrication est décelé dans ce produit Sharp au cours de la période de la garantie, la réparation sous garantie est offerte à la condition que le produit Sharp soit livré accompagné de la preuve d'achat et une copie de cette GARANTIE LIMITÉE à un centre agréé de service Sharp ou à un Détaillant autorisé au service Sharp. La garantie de service à domicile peut être offerte, à la discrétion de Sharp, sur tous les téléviseurs Sharp dont l'écran est de 27 pouces ou plus et sur les fours à micro-onde Sharp au-dessus de la cuisinière.

La garantie ci-dessus constitue la seule garantie expresse accordée par Sharp. Aucun autre détaillant, aucun centre de service, leurs représentants ou employés, ne sont autorisés à prolonger la durée de la garantie, à fournir des garanties autres ou à transférer cette garantie au nom de Sharp. Dans la mesure où la loi en vigueur le permet, Sharp décline toute responsabilité pour les pertes ou les dommages directs ou indirects, pour les pertes ou les dommages imprévus et pour les pertes de profits indirectes résultant d'un défaut de fabrication du produit, y compris les dommages reliés à la perte de temps ou d'utilisation de ce produit Sharp. L'acheteur doit assumer les coûts de démontage, de réinstallation, de transport et d'assurance de l'appareil. La réparation des défauts, selon la manière et durant la période de temps ci-haut décrites, constitue l'exécution complète de toutes les obligations et les responsabilités de Sharp vis-à-vis de l'acheteur en ce qui a trait au produit et constituera un acquittement complet pour toute réclamation, qu'elle soit basée sur le contrat, la négligence, la responsabilité stricte ou autre.

PÉRIODES DE GARANTIE:

Pièces et travail (exceptions notées)

Produits audio	1 an
Caméscope	1 an
Produits DVD	1 an
Projecteurs	1 an (ampoule 90 jours)
TV à affichage à cristaux liquides	1 an
Four au micro-ondes	1 an (magnétron 4 ans supplémentaires-pièces seulement)
Magnétoscopes	1 an
Purificateur d'air	1 an
Climatiseur portatif	1 an

Pour obtenir le nom et l'adresse du Centre de service ou du Détaillant autorisé au service Sharp le plus près, veuillez écrire ou téléphoner à:

SHARP ÉLECTRONIQUE DU CANADA LTÉE., 335 Britannia Road East, Mississauga, Ontario, L4Z 1W9

Pour plus de renseignements sur cette garantie, sur des offres de garantie prolongée de Sharp, sur des produits de Sharp Canada, sur la vente d'accessoires, sur l'emplacement de détaillants ou de centres de service chez le détaillant, veuillez composer le

(905)-568-7140.

Visitez notre site web : www.sharp.ca



FRANÇAIS

PRÉCAUTIONS

Points à se rappeler lors de l'emploi de votre climatiseur.

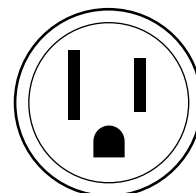
AVERTISSEMENTS RELATIFS À L'EXPLOITATION

- Installez le climatiseur selon les consignes d'installation dans la dernière section du présent manuel.
- Ne modifiez aucun élément du produit.
- N'insérez rien dans aucune partie de l'unité.
- Assurez-vous que la source d'alimentation est de la bonne tension nominale.

N'utilisez qu'une prise c.a. tripolaire avec terre d'au moins 125 V, 60 Hz et 15 A comme dans l'illustration de droite.

L'emploi d'une alimentation avec une tension nominale inappropriée peut endommager l'unité et même causer un incendie.

- Utilisez toujours un fusible de la bonne intensité nominale.
N'employez en aucunes circonstances de fils, de broches ou d'autres objets au lieu d'un fusible adéquat.
- Si le climatiseur présente une anomalie quelconque (par ex. une odeur de brûlé), éteignez-le immédiatement et coupez l'alimentation.



AVERTISSEMENT À L'ÉGARD DU CORDON D'ALIMENTATION

- Ce climatiseur dispose d'une fiche à fusible incorporé.
Lisez les précautions sur la fiche avant de vous servir du climatiseur.
- Avant usage, effectuez toujours un "Contrôle de la fiche" (voyez page 16) pour confirmer son fonctionnement normal.
- Il faut brancher cette fiche dans une prise murale convenable seulement. N'y connectez aucune rallonge électrique.
- Enfoncez fermement la fiche dans la prise et vérifiez qu'elle est bien serrée.
- Vous ne devez ni tirer, déformer ou modifier le cordon d'alimentation, ni l'immerger dans l'eau.
Le fait de tirer ou de mal employer le cordon d'alimentation peut endommager l'unité et provoquer une électrocution.
- Un cordon d'alimentation endommagé ne doit pas être réparé, mais remplacé par un nouveau, obtenu du fabricant du produit. Le remplacement doit être réalisé par un agent de service du fabricant pour éviter tout danger.

REMARQUE

Brouillage de la radio ou de la télévision

Si ce climatiseur de chambre perturbe la réception en radio ou en télévision, essayez de remédier aux interférences en prenant l'une ou plusieurs des mesures suivantes :

- Réorientez ou déplacez l'antenne de réception.
- Éloignez le climatiseur de chambre du poste de radio ou de télévision.
- Branchez le climatiseur de chambre et le poste de radio ou de télévision sur des circuits électriques différents.
- Consultez le revendeur ou un technicien radio/TV qualifié pour obtenir de l'aide.

Ce produit répond aux normes du standard international CISPR 11.

En conformité avec ce standard; ce produit est classifié en tant que matériel de groupe 2 classe B. Groupe 2 signifie que le matériel génère intentionnellement des fréquences radio sous forme de radiations électromagnétiques pour du matériel à décharge électrique.

Matériel de classe B signifie que ce matériel convient aux établissements domestiques.

AVERTISSEMENT SUR LA MISE À LA TERRE

- **L'emploi abusif de la fiche avec terre comporte un risque d'électrocution.**

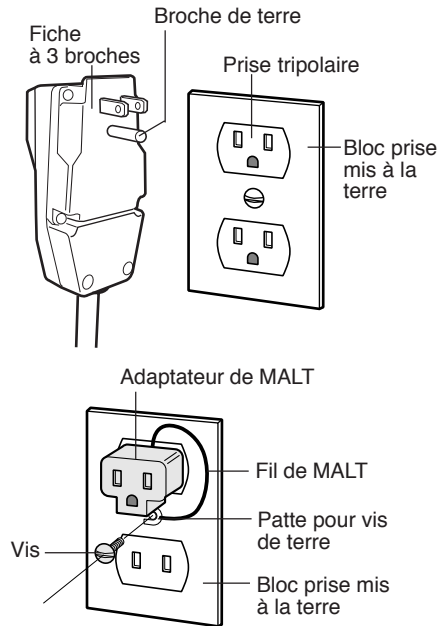
Cet appareil doit être mis à la terre. Dans l'éventualité d'un court-circuit, la mise à la terre (MALT) réduit le risque d'électrocution en fournissant une voie de moindre résistance au courant électrique.

Cet appareil est muni d'un cordon où un fil de MALT est raccordé à une fiche avec terre. La fiche doit être branchée dans une prise correctement installée et mise à la terre.

- **Vous ne devez en aucunes circonstances couper ou retirer la broche de terre ronde de cette fiche.**

Consultez un électricien ou un réparateur qualifié si vous ne comprenez pas tout à fait les instructions de mise à la terre ou si vous doutez que l'appareil soit bien mis à la terre.

Si vous utilisez un adaptateur de MALT, vérifiez que le bloc prise est parfaitement mis à la terre.



PRÉCAUTIONS D'EMPLOI

- **Aérez la pièce périodiquement en cours d'usage, en particulier lors de l'utilisation d'appareils à gaz.**
- **Assurez-vous d'éteindre l'unité et de débrancher le cordon d'alimentation avant d'effectuer tout entretien ou nettoyage.**
- **N'éclaboussez pas l'appareil d'eau ou ne versez pas directement de l'eau dessus.** L'eau risque de provoquer une décharge électrique ou d'endommager l'appareil.
- **Il faut vidanger le climatiseur chaque fois qu'on le déplace. (Voyez page 27)** S'il reste de l'eau dans le réservoir, elle peut se déverser lors du déplacement.
- **Retirez le panneau de fenêtre dans le cas d'un temps particulièrement mauvais.** Lors d'intempéries extrêmes, de l'eau peut s'infiltrer par les ouvertures.
- **Pour que l'évacuation se fasse bien, le flexible de vidange ne doit pas être cassé ni se trouver sur un niveau différent au mode de déshumidification.** L'eau de vidange pourrait s'écouler dans la pièce.
- **La température environnante du flexible de vidange ne doit pas se situer sous le point de congélation lors de l'évacuation.** L'eau de vidange risque de geler dans le tuyau, ce qui fera déborder l'eau de l'appareil dans la pièce.
- **N'obstruez pas la bouche d'évacuation de l'air.** La capacité de refroidissement pourrait baisser ou disparaître complètement.

PRÉCAUTIONS

REMARQUES SUR LE FONCTIONNEMENT

- **Donnez 3 minutes au compresseur pour relancer le refroidissement.**
Si vous éteignez le climatiseur et le rallumez immédiatement, le compresseur ne relancera le refroidissement qu'après trois minutes. Un dispositif électronique dans l'appareil garde le compresseur éteint pendant trois minutes pour des raisons de sécurité.
- **Si une panne de courant survient en cours de marche, attendez 3 minutes avant de redémarrer l'appareil.**
Quand l'électricité revient, remettez le climatiseur en marche. Si l'électricité a manqué moins de trois minutes, prenez bien soin d'attendre trois minutes minimum avant de redémarrer l'appareil. Si vous relancez le climatiseur dans les trois minutes, un dispositif de protection à l'intérieur peut éteindre le compresseur. Ce dispositif de protection interdira le refroidissement pour environ 5 minutes. Tous réglages préalables seront annulés, et les réglages initiaux de l'appareil seront rétablis.
- **Fonctionnement à basse température : votre appareil gèle-t-il ?**
Si l'appareil est réglé autour de 64°F (18°C), il peut geler dans des conditions de basse température ambiante, surtout la nuit.
Dans ces conditions, une nouvelle chute de température peut faire geler l'appareil. Pour éviter que cela ne se produise, augmentez le réglage de température.
- **Le mode de déshumidification fait monter la température de la pièce.**
L'unité génère de la chaleur en mode de déshumidification, et la température de la pièce augmente. De l'air chaud est soufflé par la bouche d'évacuation de l'air, mais c'est normal et n'indique pas un défaut de l'appareil.
- **En mode de refroidissement, le climatiseur souffle l'air chaud qu'il produit en dehors de la pièce par le flexible d'évacuation.**
Il en découle que de l'air extérieur s'infiltré dans la pièce par n'importe quelles ouvertures dans la même quantité que l'air soufflé.
- **Lorsque l'opération de refroidissement est effectuée dans des conditions de forte humidité, le réservoir d'eau à l'intérieur de l'unité se remplira très rapidement.**
Lorsque le réservoir d'eau à l'intérieur de l'unité est plein, l'unité s'arrête de fonctionner et les voyants TIMER, OPERATION et MEGA COOL clignotent. Dans ce cas, vidangez l'eau se trouvant à l'intérieur de l'unité. (Voir page 27)

CONDITIONS D'UTILISATION

- **Le climatiseur doit être exploité dans la gamme de température ci-dessous.**

MODE	TEMPÉRATURE DE LA PIÈCE
FRAIS	64°F ~ 95°F (18°C ~ 35°C)
Déshumidification	59°F ~ 95°F (15°C ~ 35°C)

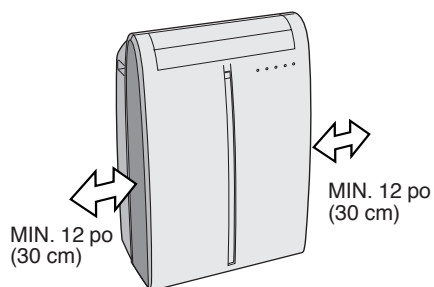
- Un dispositif de sécurité intégré peut interrompre le fonctionnement si la température sort de ces limites.
- Lors d'un fonctionnement en refroidissement dans une pièce à température élevée, la vitesse du ventilateur peut baisser légèrement.

CONSEILS SUR LES ÉCONOMIES D'ÉNERGIE

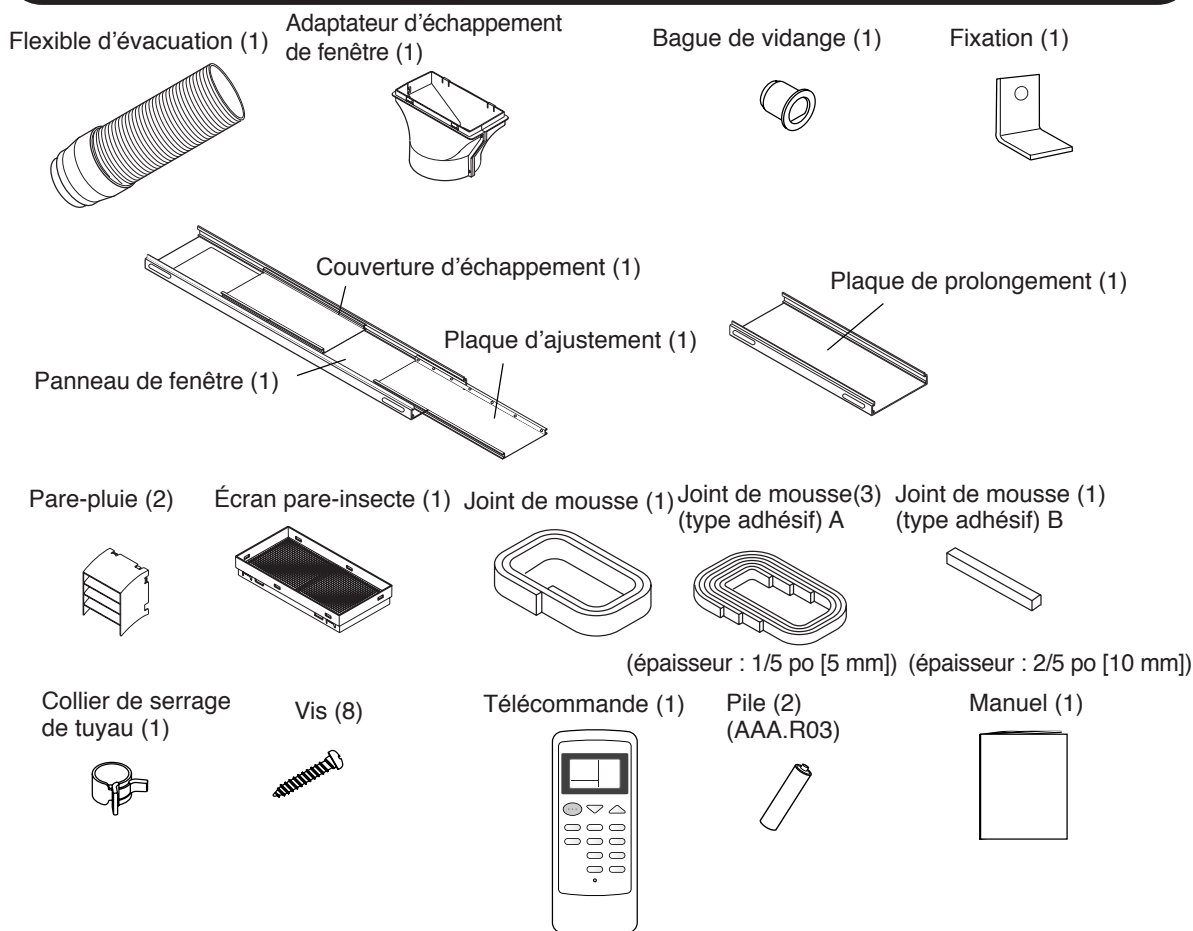
- **Évitez la lumière directe du soleil.**
Fermez les stores ou les rideaux pour intercepter la lumière directe du soleil en mode de refroidissement.
- **Gardez le filtre propre.**
Le maintien de la propreté du filtre contribue beaucoup au fonctionnement efficace. Un filtre sale bloque le flux d'air, ce qui pousse votre climatiseur à travailler dur avec une efficacité réduite. Voyez en page 28 comment nettoyer le filtre.
- **Éteignez les lampes superflues.**
Votre climatiseur doit éliminer la chaleur produite par vos luminaires ou d'autres appareils calorifiques. Éteignez toute lampe ou tout appareil qui ne sert pas.
- **Éteignez le climatiseur quand personne n'est à la maison.**
N'utilisez qu'au besoin. Moins le climatiseur fonctionne, moindres les coûts d'utilisation.

EMPLACEMENT

- Il faut placer le climatiseur sur une base ferme pour minimiser le bruit et les vibrations. En vue d'un placement sécuritaire, déposez l'appareil sur un sol plat de niveau, assez robuste pour soutenir l'unité.
- Les roulettes de l'appareil facilitent sa mise en place, mais elles ne se destinent qu'aux surfaces lisses et planes. Sur un tapis, roulez-le avec prudence. N'essayez pas de rouler par-dessus des objets.
- L'appareil doit se trouver à portée d'une prise mise à la terre avec des caractéristiques nominales satisfaisantes.
- Il ne doit jamais y avoir d'obstacles autour de l'entrée ou de la sortie d'air de l'unité.
- En vue d'une climatisation efficace, prévoyez au moins 12 po (30 cm) d'écart avec le mur.



COMPRIS

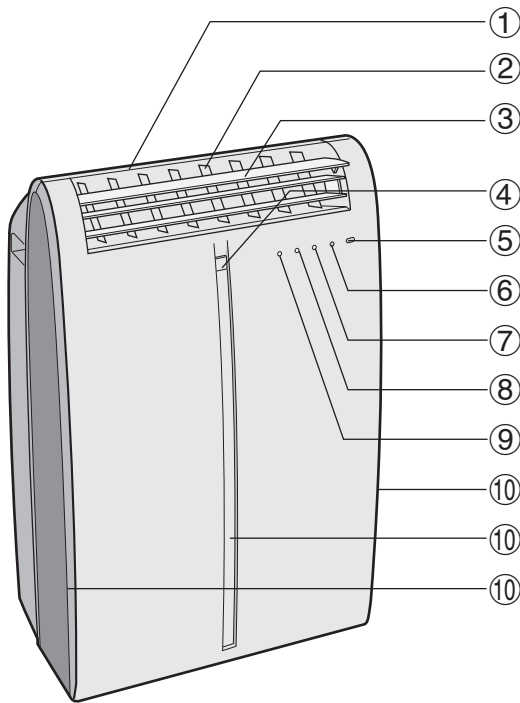


OUTILS SUGGÉRÉS POUR L'INSTALLATION DU PANNEAU DE FENÊTRE

1. Tournevis (Phillips de taille moyenne)
2. Ruban à mesurer ou règle
3. Couteau ou ciseaux
4. Scie (s'il faut couper le panneau de fenêtre pour l'ajuster à une fenêtre trop étroite pour une installation directe)

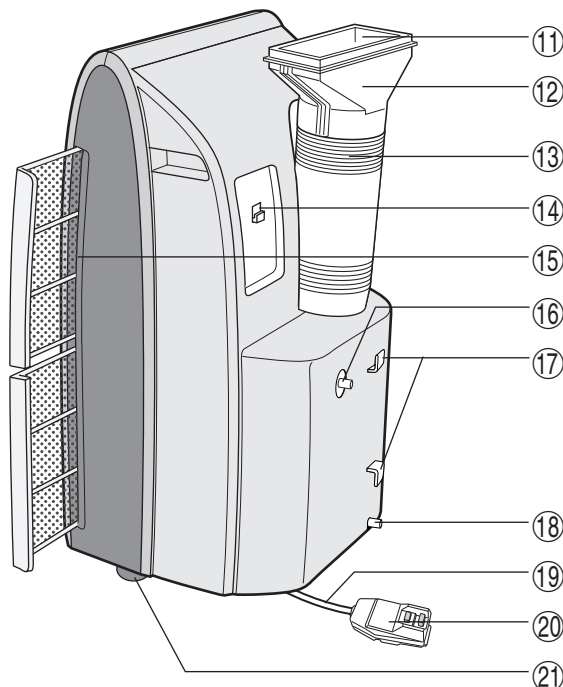
NOMENCLATURE

VUE DE L'AVANT



- ① Sortie d'air
- ② Volets d'aération verticaux
- ③ Volets d'aération horizontaux
- ④ Voyant de PLASMACLUSTER (bleu)
- ⑤ Fenêtre de réception du signal de télécommande
- ⑥ Touche POWER
- ⑦ Voyant de fonctionnement OPERATION (rouge)
- ⑧ Voyant de minuterie TIMER (orange)
- ⑨ Voyant de mégarefroidissement MEGA COOL (vert)
- ⑩ Entrée d'air

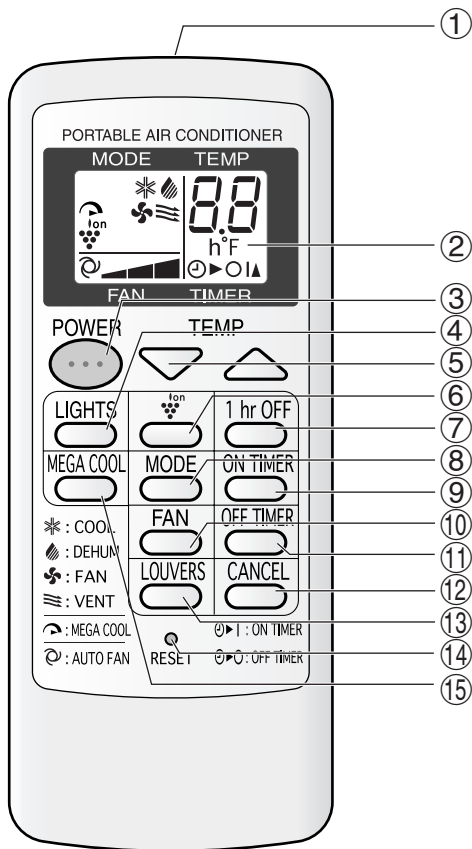
VUE DE L'ARRIÈRE



- ⑪ Bouche d'évacuation de l'air
- ⑫ Adaptateur d'échappement de fenêtre
- ⑬ Flexible d'évacuation
- ⑭ Crochet pour la télécommande
- ⑮ Filtres à air
- ⑯ Buse et chantepleur de vidange
- ⑰ Crochets pour le cordon d'alimentation
- ⑱ Buse et chantepleur de drain
- ⑲ Cordon d'alimentation
- ⑳ Fiche
- ㉑ Roulettes (4)

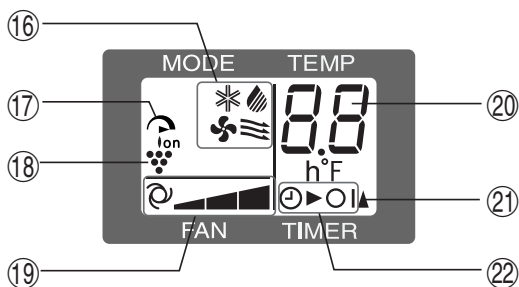
REMARQUE : L'appareil réel peut différer légèrement de l'illustration ci-dessus.

TÉLÉCOMMANDE



- ① Émetteur
- ② Affichage
- ③ Touche de marche/arrêt POWER
- ④ Touche de voyants LIGHTS
- ⑤ Touche de TEMPÉRATURE
- ⑥ Touche de PLASMACLUSTER
- ⑦ Touche d'arrêt après une heure 1 hr OFF
- ⑧ Touche MODE
- ⑨ Touche de minuterie de marche ON TIMER
- ⑩ Touche de ventilateur FAN
- ⑪ Touche de minuterie d'arrêt OFF TIMER
- ⑫ Touche d'annulation CANCEL
- ⑬ Touche de volets LOUVERS
- ⑭ Touche de réinitialisation RESET
- ⑮ Touche de mégarefroidissement MEGA COOL

AFFICHAGE DE LA TÉLÉCOMMANDE



- ⑯ SYMBOLES DES MODES
 - * : FRAIS ▨ : DÉSHUMIDIFICATION
 - ☪ : VENTILATEUR ≡ : VENTILATION
- ⑰ SYMBOLE DU MÉGAREFROIDISSEMENT
- ⑱ SYMBOLE DU PLASMACLUSTER
- ⑲ SYMBOLES DE VITESSE DE VENTILATEUR
 - ⌚ : AUTO ▴ : Réglage manuel
- ⑳ INDICATEUR DE TEMPÉRATURE ET DE DÉCOMPTE DU TEMPS
- ㉑ SYMBOLE DE TRANSMISSION
- ㉒ MINUTERIE DE MARCHÉ/D'ARRÊT

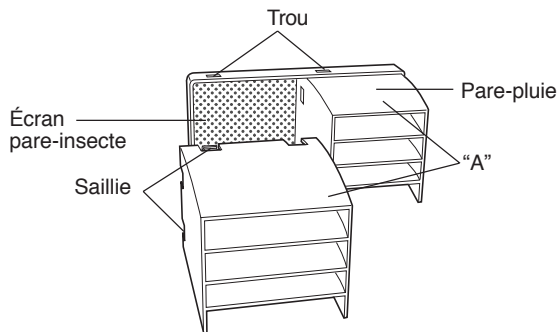
INSTALLATION DU PANNEAU DE FENÊTRE

Installation dans une fenêtre à guillotine

(Passez à la page 12 pour l'installation dans une fenêtre à coulisse horizontale.)

1 Attachez les pare-pluie à l'écran pare-insecte.

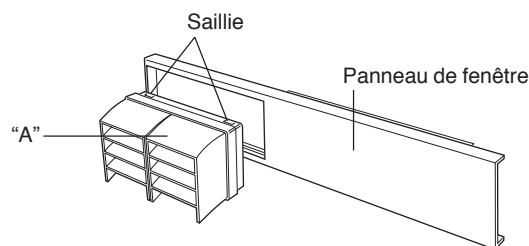
Insérez les trois saillies de chaque pare-pluie dans les trous de l'écran pare-insecte. Le côté "A" sera le plus élevé, comme l'indique le schéma.



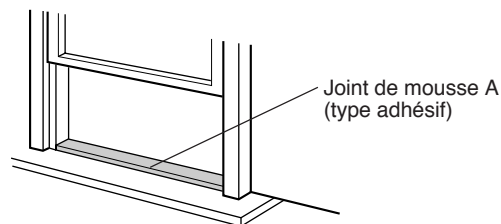
2 Appliquez l'ensemble de garde ci-dessus sur le panneau de fenêtre.

Poussez l'écran pare-insecte avec fermeté pour vous assurer que ses quatre saillies s'agencent dans les trous du panneau de fenêtre.

Le côté "A" se trouvera alors dans le haut, comme dans le schéma.



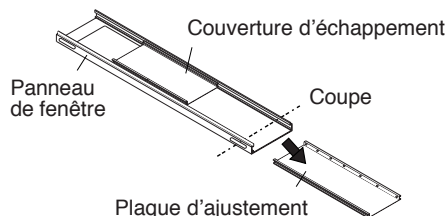
3 Coupez le joint de mousse A (type adhésif) à la bonne longueur et collez-le au seuil de la fenêtre.



4 Fixez le panneau de fenêtre au seuil de la fenêtre.

Si la largeur intérieure de la fenêtre se situe entre 22 po (559 mm) et 24 po (609 mm) inclusivement.

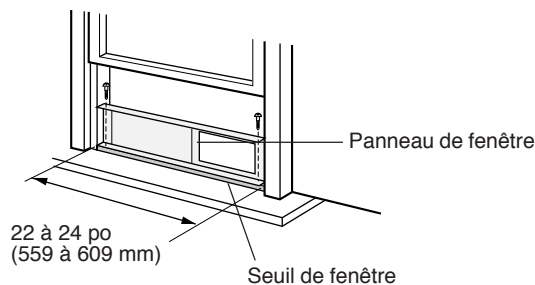
Le panneau ne s'installe pas dans les fenêtres d'une largeur inférieure à 22 po (559 mm), car la couverture d'échappement ne fermerait pas.



(1) Retirez la plaque d'ajustement du panneau de fenêtre et coupez ce dernier à la même largeur que la fenêtre.

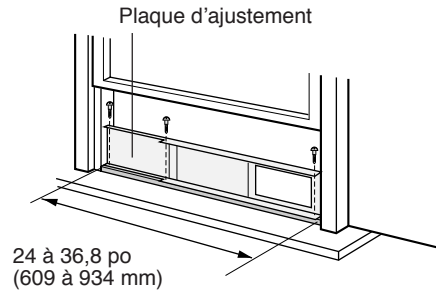
(2) Ouvrez le châssis et placez le panneau de fenêtre sur le seuil de fenêtre.

(3) Fixez le panneau de fenêtre au seuil de fenêtre avec 2 vis.



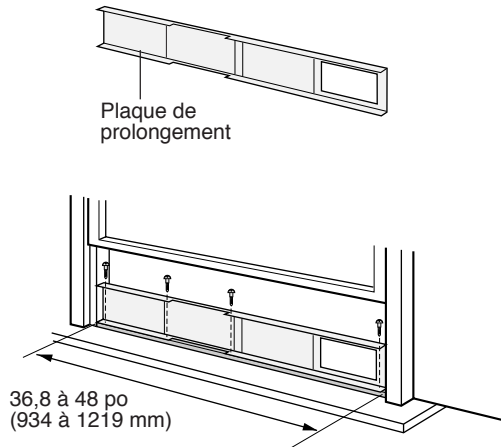
Si la largeur intérieure de la fenêtre se situe entre 24 po (609 mm) et 36,8 po (934 mm) inclusivement.

- (1) Ouvrez le châssis et placez le panneau de fenêtre sur le seuil de la fenêtre.
- (2) Faites glisser la plaque d'ajustement pour mettre le panneau à la largeur du cadre de fenêtre.
- (3) Fixez le panneau de fenêtre au seuil avec 3 vis.



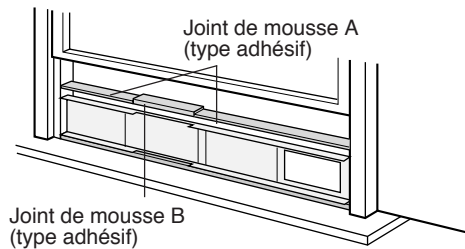
Si la largeur intérieure de la fenêtre se situe entre 36,8 po (934 mm) et 48 po (1219 mm) inclusivement.

- (1) Attachez la plaque de prolongement à la plaque d'ajustement.
- (2) Ouvrez le châssis et placez le panneau de fenêtre sur le seuil de la fenêtre.
- (3) Faites glisser les plaques d'ajustement et de prolongement pour mettre le panneau à la largeur du cadre de fenêtre.
- (4) Fixez le panneau de fenêtre au seuil de fenêtre avec 4 vis.



5 Coupez les joints de mousse (type adhésif) A et B à la bonne longueur et collez-les au panneau de fenêtre.

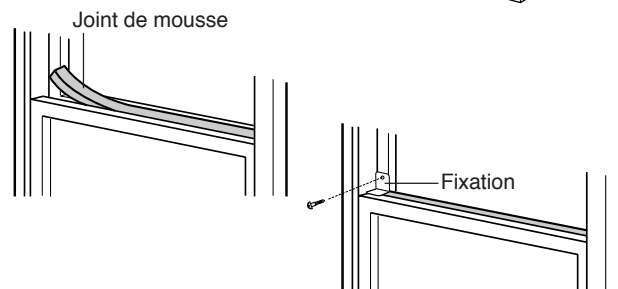
Liez le joint de mousse A au panneau de fenêtre et à la plaque de prolongement, puis le joint de mousse B à la plaque d'ajustement.



6 Fermez le châssis tout contre le panneau de fenêtre.

7 Coupez le joint de mousse à la bonne longueur et colmatez l'ouverture entre le haut du châssis intérieur et le châssis extérieur de la fenêtre.

8 Attachez une fixation avec la vis.



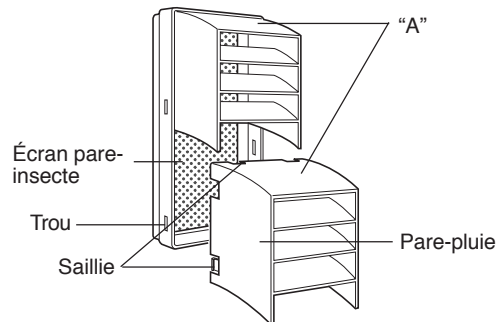
INSTALLATION DU PANNEAU DE FENÊTRE

Installation dans une fenêtre à coulisse horizontale

(Passez à la page 10 pour l'installation dans une fenêtre à guillotine.)

1 Attachez les pare-pluie à l'écran pare-insecte.

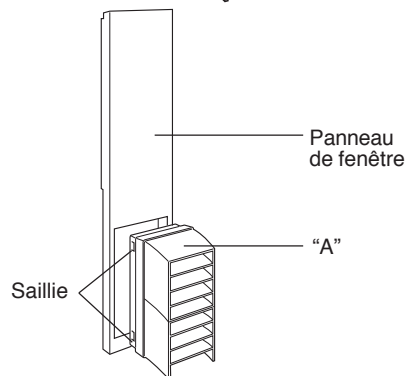
Insérez les trois saillies de chaque pare-pluie dans les trous de l'écran pare-insecte. Le côté "A" sera le plus élevé, comme l'indique le schéma.



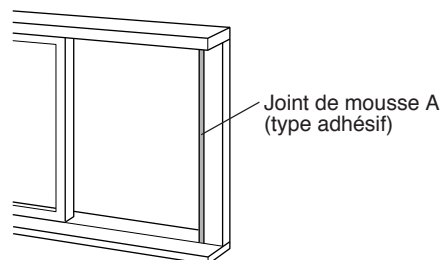
2 Appliquez l'ensemble de garde ci-dessus sur le panneau de fenêtre.

Poussez l'écran pare-insecte avec fermeté pour vous assurer que ses quatre saillies s'agencent dans les trous du panneau de fenêtre.

Le côté "A" se trouvera alors dans le haut, comme dans le schéma, après l'installation dans la fenêtre.



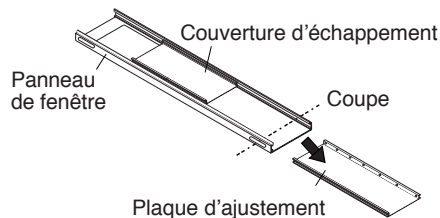
3 Coupez le joint de mousse A (type adhésif) à la bonne longueur et collez-le au cadre de fenêtre.



4 Installez le panneau de fenêtre dans le cadre de fenêtre.

Si la hauteur intérieure de la fenêtre se situe entre 22 po (559 mm) et 24 po (609 mm) inclusivement.

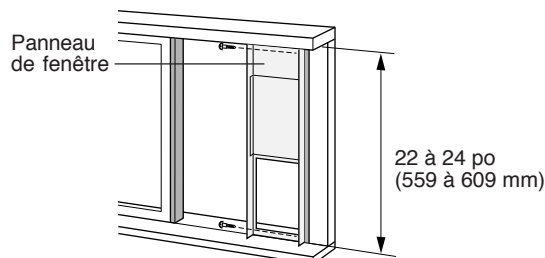
Le panneau ne s'installe pas dans les fenêtres d'une hauteur inférieure à 22 po (559 mm), car la couverture d'échappement ne fermerait pas.



(1) Retirez la plaque d'ajustement du panneau de fenêtre et coupez ce dernier à la même hauteur que la fenêtre.

(2) Ouvrez le châssis et placez le panneau de fenêtre sur le cadre de fenêtre.

(3) Fixez le panneau de fenêtre au cadre de fenêtre avec 2 vis.



Si la hauteur intérieure de la fenêtre se situe entre 24 po (609 mm) et 36,8 po (934 mm) inclusivement.

- (1) Ouvrez le châssis et placez le panneau de fenêtre sur le cadre de fenêtre.
- (2) Faites glisser la plaque d'ajustement pour mettre le panneau à la hauteur du cadre de fenêtre.
- (3) Fixez le panneau de fenêtre au cadre de fenêtre avec 3 vis.

Si la hauteur intérieure de la fenêtre se situe entre 36,8 po (934 mm) et 48 po (1219 mm) inclusivement.

- (1) Attachez la plaque de prolongement à la plaque d'ajustement.
- (2) Ouvrez le châssis et placez le panneau de fenêtre sur le cadre de fenêtre.
- (3) Faites glisser les plaques d'ajustement et de prolongement pour mettre le panneau à la hauteur du cadre de fenêtre.
- (4) Fixez le panneau de fenêtre au cadre de fenêtre avec 4 vis.

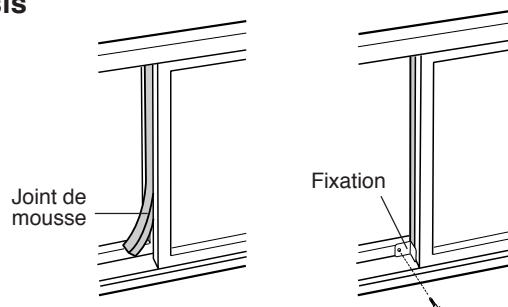
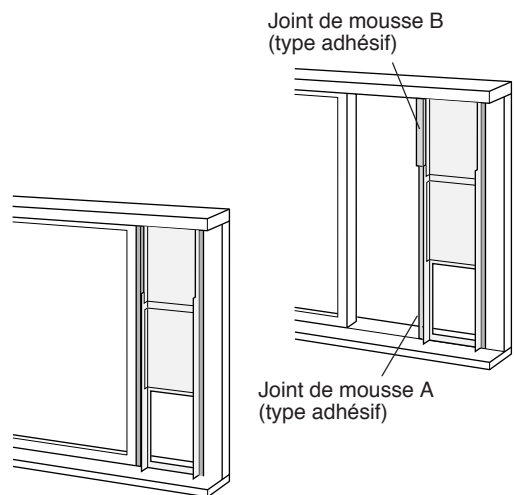
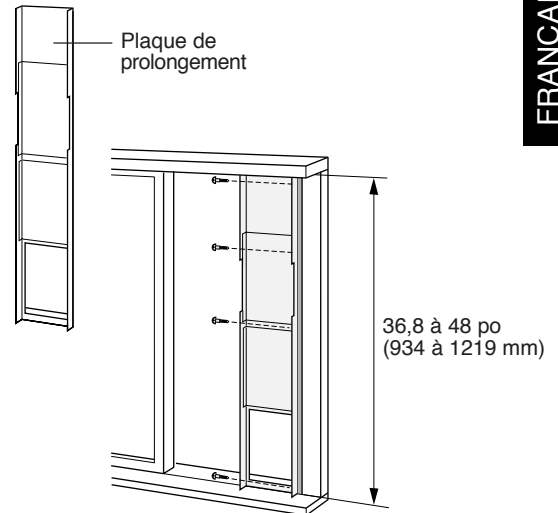
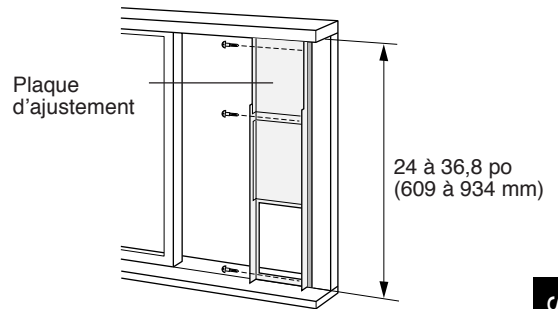
5 Coupez les joints de mousse (type adhésif) A et B à la bonne longueur et collez-les au panneau de fenêtre.

Liez le joint de mousse A au panneau de fenêtre et à la plaque de prolongement, puis le joint de mousse B à la plaque d'ajustement.

6 Fermez le châssis tout contre le panneau de fenêtre.

7 Coupez le joint de mousse à la bonne longueur et colmatez l'ouverture entre le côté du châssis intérieur et le châssis extérieur de la fenêtre.

8 Attachez une fixation avec la vis.



MONTAGE ET DÉMONTAGE DU FLEXIBLE D'ÉVACUATION

Le flexible d'évacuation doit être installé ou détaché selon le mode de fonctionnement.

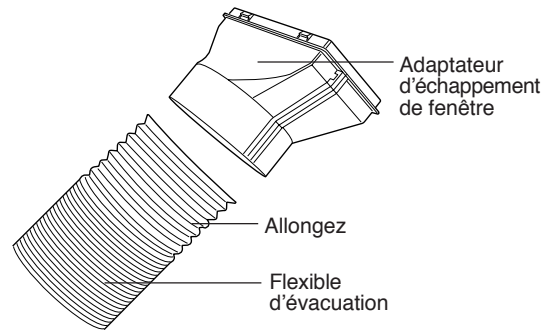
MODE	FLEXIBLE D'ÉVACUATION
FRAIS, VENTILATEUR, VENTILATION, DÉSHUMIDIFICATION sans réservoir	Installer
DÉSHUMIDIFICATION avec réservoir (capacité minimum 3 ¹ / ₂ gal. [13 L])	Retirer

Montage du flexible d'évacuation

1 Attachez l'adaptateur d'échappement de fenêtre au flexible d'évacuation.

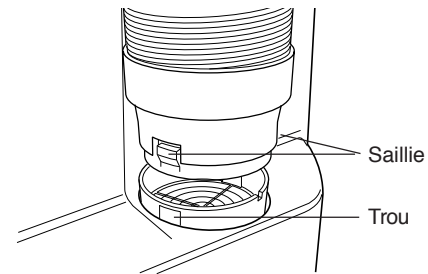
Allongez l'un des bouts du flexible d'évacuation et insérez-le dans l'adaptateur d'échappement de fenêtre, puis effectuez environ trois tours jusqu'au point d'arrêt.

Assurez-vous ensuite qu'ils tiennent fermement ensemble.



2 Raccordez l'adaptateur de flexible d'évacuation à l'unité.

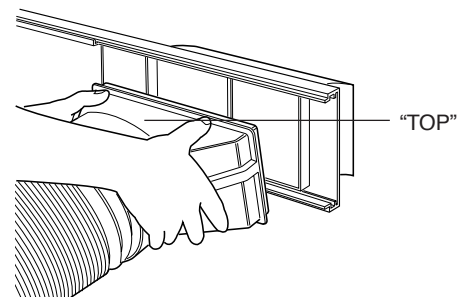
Insérez les deux saillies de l'adaptateur de flexible d'évacuation dans les deux trous sur l'unité, et emboîtez solidement le tout.



3 Ouvrez la couverture d'échappement sur le panneau de fenêtre en la faisant coulisser, puis fixez l'adaptateur d'échappement de fenêtre.

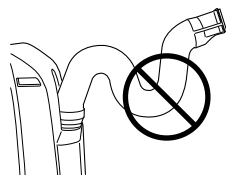
Dans une fenêtre à guillotine, la surface de l'adaptateur d'échappement de fenêtre marquée "TOP" devrait pointer vers le haut.

Dans une fenêtre à coulisse horizontale, la surface de l'adaptateur d'échappement de fenêtre marquée "TOP" devrait se trouver du côté du cadre de fenêtre.



Le flexible d'évacuation devrait être aussi court que possible pour favoriser l'efficacité opérationnelle. Cependant, il ne devrait être ni tordu, ni plié.

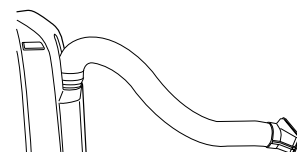
Inacceptable



Acceptable



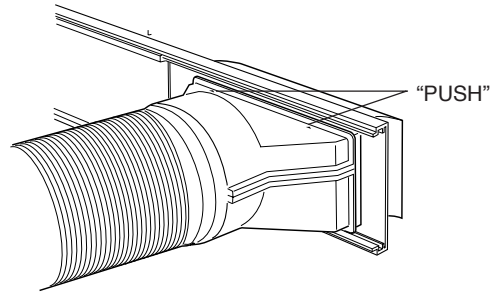
Acceptable



Démontage du flexible d'évacuation

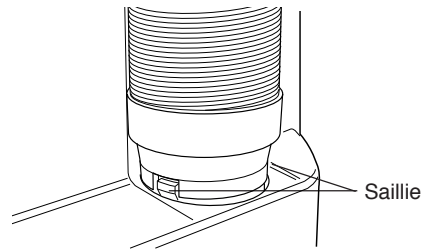
1 Retirez l'adaptateur d'échappement de fenêtre.

Pressez les deux marques "PUSH" vers le bas pour extraire l'adaptateur d'échappement de fenêtre, puis fermez la couverture d'échappement sur le panneau de fenêtre en la faisant coulisser.



2 Détachez l'adaptateur de flexible d'évacuation de l'unité.

Enfoncez les deux saillies pour séparer l'adaptateur de flexible d'évacuation de l'unité.

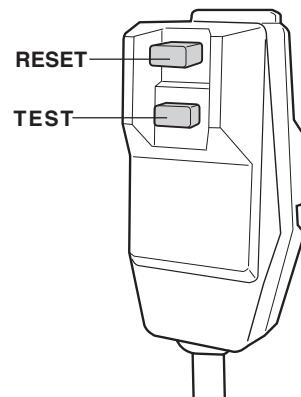


CONTRÔLES PRÉALABLES

CONTRÔLE DE LA FICHE

Ce climatiseur utilise une fiche à fusible.
Vérifiez toujours la fiche avant usage.

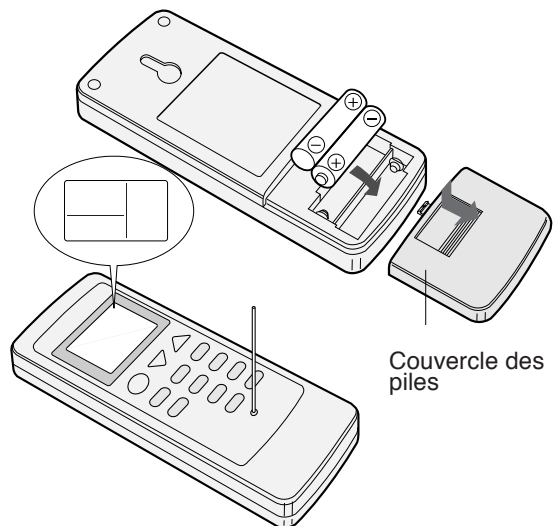
- 1 Appuyez sur la touche RESET.**
- 2 Insérez la fiche dans la prise murale.**
- 3 Appuyez sur la touche TEST.**
Vous entendrez un CLIC si le disjoncteur fonctionne correctement.
- 4 Appuyez sur la touche RESET jusqu'à ce qu'un autre CLIC se fasse entendre.**
Le disjoncteur est activé, le courant est mis, et le climatiseur est maintenant prêt à servir.



N'essayez pas d'utiliser le climatiseur si la démarche ci-dessus ne réussit pas, car cela indique un dysfonctionnement. Débranchez la fiche et demandez une réparation.

CHARGEMENT DES PILES Utilisez deux piles AAA (R03).

- 1 Retirez le couvercle du compartiment des piles au dos de la télécommande.**
- 2 Insérez les piles dans le compartiment en prenant soin de respecter les polarités \oplus et \ominus .**
 - Des lignes apparaîtront à l'écran quand les piles seront bien installées.
- 3 Rattachez le couvercle du compartiment des piles.**
- 4 Appuyez sur la touche RESET à l'aide d'un objet à fine pointe.**



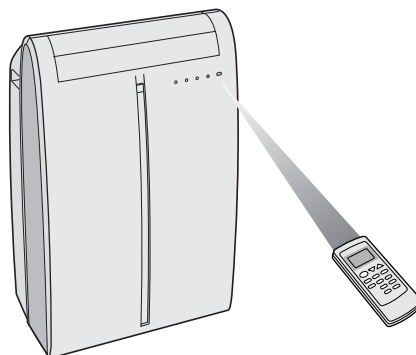
REMARQUES :

- Une pile devrait durer environ un an dans des conditions d'usage normal.
- Lors du remplacement des piles, remplacez toujours les deux piles en même temps et assurez-vous qu'elles sont du même type.
- Si la télécommande ne fonctionne pas normalement après le remplacement des piles, pressez la touche RESET à l'aide d'un objet à fine pointe.
- Si l'appareil ne va pas être utilisé pendant une longue période, sortez les piles de la télécommande.

VOICI COMMENT UTILISER LA TÉLÉCOMMANDE

Pointez la télécommande vers la fenêtre de réception du signal de l'appareil et appuyez sur la touche désirée. L'appareil émet un bip lorsqu'il reçoit le signal.

- Assurez-vous que rien, comme des rideaux, ne bloque la fenêtre de réception du signal.
- La télécommande fonctionne jusqu'à 23 pi (7 m) de distance.

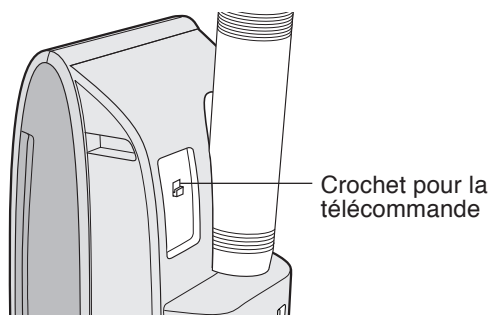


ATTENTION

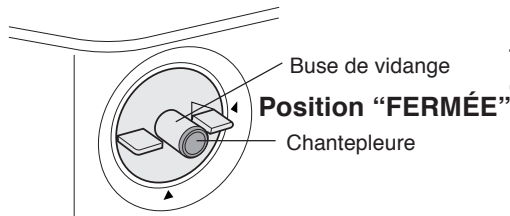
- N'exposez pas la fenêtre de réception du signal aux rayons directs du soleil, car ils peuvent gêner son fonctionnement. Au besoin, tirez les rideaux pour bloquer la lumière.
- Le fait d'utiliser une lampe fluorescente dans la même pièce risque de créer des interférences avec la transmission du signal.
- L'appareil peut être influencé par les signaux transmis par les télécommandes de téléviseur, de magnétoscope ou d'autre équipement utilisé dans la même pièce.
- Ne laissez pas la télécommande exposée aux rayons directs du soleil ou près d'un radiateur. Protégez la télécommande contre l'humidité et les chocs qui peuvent la décolorer ou l'endommager.

Pour éviter d'égarer la télécommande, accrochez-la à l'unité lorsqu'elle ne sert pas.

Pour décrocher la télécommande de l'unité, soulevez-la légèrement avant de la dégager.



MODE FRAIS



Installez le flexible d'évacuation (voyez page 14), tournez la buse de vidange vers la position FERMÉE et vérifiez si la buse de vidange est couverte par la chantepleur.

1 Appuyez sur la touche MODE pour sélectionner le mode FRAIS.

FRAIS DÉSHUM VENTILATEUR VENTILATION

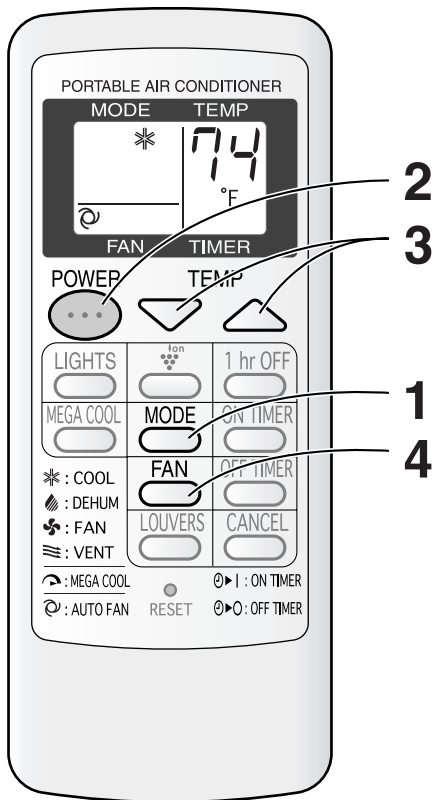


2 Appuyez sur la touche POWER pour commencer l'utilisation.

- Le voyant rouge OPERATION s'allume sur l'appareil.

3 Appuyez sur la touche de TEMPÉRATURE pour régler la température désirée.

- La température peut être réglée dans un intervalle de 64°F à 86°F (18°C à 30°C).



4 Appuyez sur la touche FAN pour régler la vitesse désirée du ventilateur.

AUTO SILENCIEUX FAIBLE FORT



POUR ÉTEINDRE

Appuyez de nouveau sur la touche POWER.

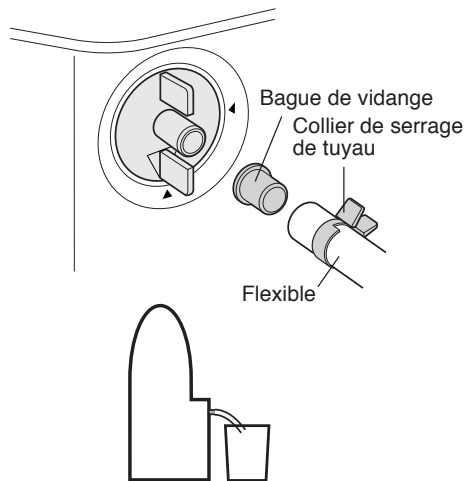
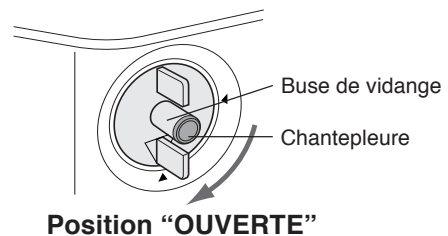
- Le voyant rouge OPERATION s'éteint sur l'appareil.

MODE DÉSHUMIDIFICATION

Dans ce mode, le climatiseur déshumidifie la pièce.

Déshumidification avec réservoir

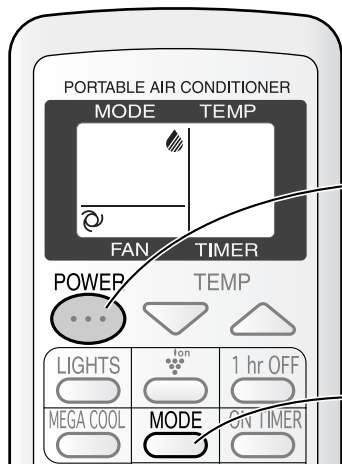
- 1 Démontez le flexible d'évacuation (voyez page 15).
- 2 Tournez la buse de vidange vers la position OUVERTE.
- 3 Tirez la chantepleur pour la détacher de la buse de vidange.
 - Une fois la chantepleur enlevée, il est possible qu'un peu d'eau s'échappe de la buse de vidange.
 - Exécutez toujours cette démarche avec l'appareil éteint. L'eau de vidange va gicler si l'appareil est en marche.
- 4 Insérez le collier de serrage de tuyau dans un flexible commercial standard (diam. int. de 5/8 po [16 mm], diam. ext. de 7/8 po [22 mm]) et attachez la bague de vidange au flexible.
- 5 Raccordez le flexible à la buse de vidange en le fixant avec le collier de serrage de tuyau.
 - Insérez le flexible bien en place dans un réservoir d'une capacité minimum de 3 1/2 gal. (13 L). Surveillez le niveau de l'eau à l'intérieur du réservoir et videz-le si nécessaire. N'utilisez pas le mode de déshumidification pendant plus de 8 heures d'affilée. Assurez-vous que le réservoir est vide chaque fois que vous lancez le mode de déshumidification. À défaut de respecter cette consigne, le réservoir pourrait déborder et ainsi endommager les matériaux sous-jacents.
 - Inclinez le flexible vers le bas pour faciliter le drainage. Veillez aussi à ce que le flexible ne soit plié en aucun point et à ce que son extrémité ne soit pas submergée.



FRANÇAIS

Déshumidification sans réservoir

S'il n'est pas désirable de vidanger l'eau, installez le flexible d'évacuation (voyez page 14), tournez la buse de vidange en position FERMÉE, puis vérifiez que la buse de vidange est recouverte par la chantepleur. Dans ce mode de fonctionnement, si le réservoir d'eau est plein, l'appareil s'arrêtera de fonctionner et les voyants TIMER, OPERATION et MEGA COOL clignoteront, selon les conditions ambiantes. Dans un tel cas, vidangez l'eau à l'intérieur de l'appareil (voyez page 27).



- 1 Appuyez sur la touche **MODE** pour sélectionner le mode **DÉSHUMIDIFICATION**.

FRAIS DÉSHUM VENTILATEUR VENTILATION



- 2 Appuyez sur la touche **POWER** pour démarrer le fonctionnement.

- Le voyant rouge OPERATION s'allume sur l'appareil.
- La température ne peut pas être réglée.
- La vitesse du ventilateur est pré-réglée sur AUTO et ne peut pas être modifiée.

POUR ÉTEINDRE

Appuyez de nouveau sur la touche **POWER**.

- Le voyant rouge OPERATION s'éteint sur l'appareil.

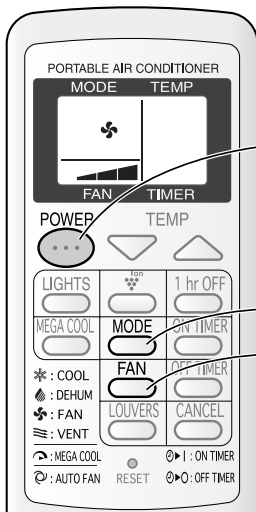
ATTENTION

Lors d'une déshumidification avec réservoir, l'appareil génère de la chaleur en mode de déshumidification, et la température de la pièce augmente. Faites fonctionner la déshumidification sans réservoir si vous ne voulez pas que la température monte. Ceci vous aidera à faire baisser légèrement la température de la pièce, mais la déshumidification deviendra moins efficace que lorsqu'elle fonctionnait avec le réservoir.

MODE VENTILATEUR

Dans ce mode, le climatiseur fait simplement circuler l'air sans le refroidir.

Installez le flexible d'évacuation (voyez page 14), tournez la buse de vidange vers la position FERMÉE et vérifiez si la buse de vidange est couverte par la chantepleur.



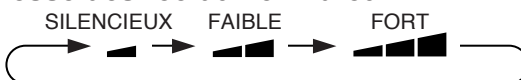
1 Appuyez sur la touche MODE pour sélectionner le mode VENTILATEUR.



2 Appuyez sur la touche POWER pour commencer l'utilisation.

- Le voyant rouge OPERATION s'allume sur l'appareil.
- La température ne peut pas être réglée.

3 Appuyez sur la touche FAN pour régler la vitesse désirée du ventilateur.



POUR ÉTEINDRE

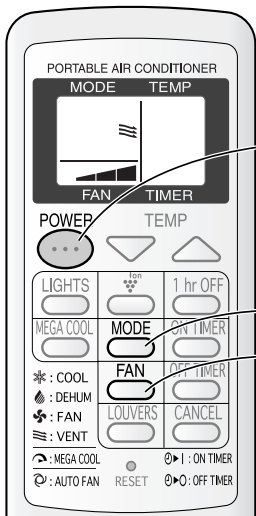
Appuyez de nouveau sur la touche POWER.

- Le voyant rouge OPERATION s'éteint sur l'appareil.

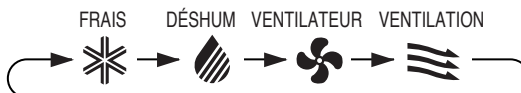
MODE VENTILATION

Dans ce mode, le climatiseur ventile l'air vers l'extérieur.

Installez le flexible d'évacuation (voyez page 14), tournez la buse de vidange vers la position FERMÉE et vérifiez si la buse de vidange est couverte par la chantepleur.



1 Appuyez sur la touche MODE pour sélectionner le mode VENTILATION.



2 Appuyez sur la touche POWER pour commencer l'utilisation.

- Le voyant rouge OPERATION s'allume sur l'appareil.
- La température ne peut pas être réglée.

3 Appuyez sur la touche FAN pour régler la vitesse désirée du ventilateur.

- Même si les volets d'aération sont fermés et qu'aucun air n'est soufflé dans la pièce, la vitesse du ventilateur pour la ventilation extérieure change.



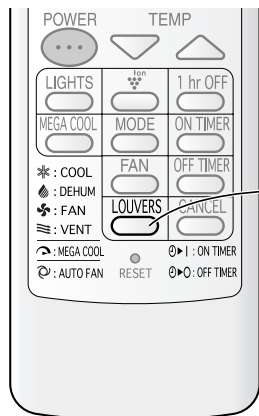
POUR ÉTEINDRE

Appuyez de nouveau sur la touche POWER.

- Le voyant rouge OPERATION s'éteint sur l'appareil.

RÉORIENTATION DU FLUX D'AIR

DÉBIT D'AIR DE DIRECTION HAUT-BAS



1 Appuyez sur la touche LOUVERS de la télécommande.

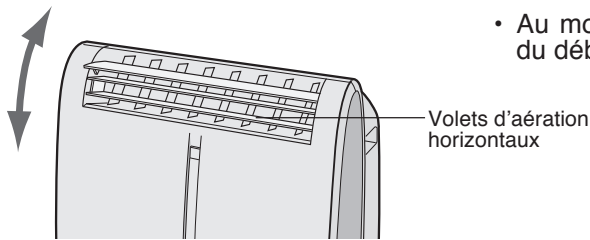
- Les volets d'aération horizontaux oscilleront continuellement.

2 Appuyez de nouveau sur la touche LOUVERS quand les volets d'aération horizontaux atteignent la position désirée.

- Les volets d'aération horizontaux s'arrêteront de bouger.
- La position ajustée sera mémorisée et réglée automatiquement à la même position lors de l'utilisation suivante.

REMARQUE

- Au mode VENTILATION, la direction HAUT/BAS du débit d'air n'est pas modifiable.



DÉBIT D'AIR DE DIRECTION GAUCHE-DROITE

Tenez le volet d'aération vertical comme dans le schéma et ajustez la direction du débit d'air.



ATTENTION

N'essayez jamais d'ajuster les volets d'aération horizontaux à la main.

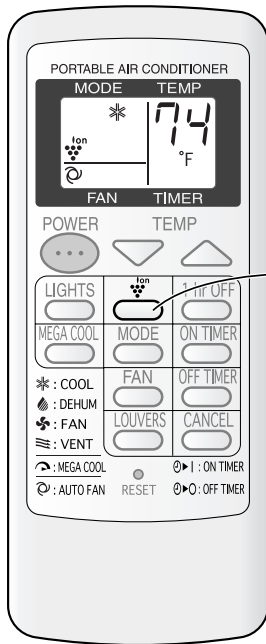
- L'ajustement manuel des volets d'aération horizontaux peut provoquer un dysfonctionnement lors du réglage par télécommande.
- Lorsque les volets horizontaux sont dans leur position la plus basse en mode FRAIS ou DÉSHUMIDIFICATION pendant une période prolongée, de la condensation peut se produire.

Ne laissez pas les volets d'aération verticaux réglés à l'extrême gauche ou droite en mode FRAIS avec la vitesse du ventilateur réglée sur "SILENCIEUX (■)" pendant une période prolongée.

De la condensation risque de se former sur les volets d'aération.

FONCTIONNEMENT PLASMACLUSTER

Le générateur d'ions Plasmacluster dans le climatiseur libère des ions Plasmacluster positifs et négatifs dans la pièce. Une quantité à peu près égale d'ions positifs et négatifs se dégage dans l'air.



1 Appuyez sur la touche PLASMACLUSTER en cours de marche.

- La télécommande affiche “”.
- Le voyant bleu de PLASMACLUSTER s'allume sur l'appareil.

POUR ANNULER

1 Appuyez de nouveau sur la touche de PLASMACLUSTER.

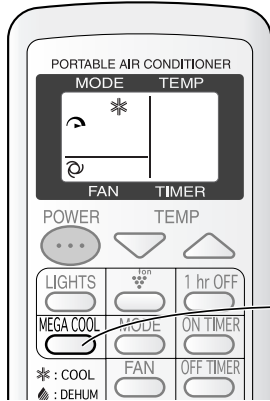
- Le voyant de PLASMACLUSTER situé sur l'appareil s'éteint.

REMARQUES :

- L'activation de la fonction PLASMACLUSTER sera mémorisée et reprise la prochaine fois que vous allumerez le climatiseur.
- Pour éteindre le voyant de PLASMACLUSTER, appuyez sur la touche LIGHTS.
- Le fonctionnement PLASMACLUSTER ne peut pas être activé en mode VENTILATION.

FUNCTIONNEMENT EN MEGAREFROIDISSEMENT

Dans ce mode de fonctionnement, le ventilateur du climatiseur tourne à très haute vitesse avec un réglage de température de 59°F (15°C).



1 Appuyez sur la touche MEGA COOL en mode de refroidissement.

- La télécommande affiche “”.
- L’affichage de température s’éteint.
- Le voyant vert MEGA COOL s’allume sur l’appareil.

POUR ANNULER

Appuyez de nouveau sur la touche MEGA COOL.

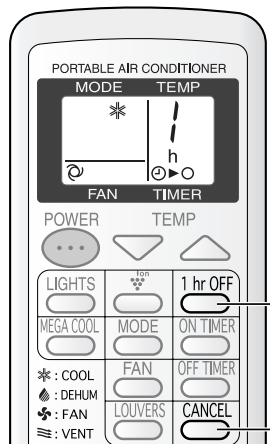
- Le fonctionnement en MEGA COOL est également annulé lors d’un changement de mode ou d’une mise hors tension de l’appareil.
- Le voyant vert MEGA COOL s’éteint sur l’appareil.

REMARQUES :

- Il est impossible de régler la température ou la vitesse du ventilateur pendant le fonctionnement en MEGA COOL.
- Le ventilateur retourne au niveau de vitesse FORT après 30 minutes de fonctionnement en mode MEGA COOL.
- La vitesse très élevée du ventilateur peut baisser automatiquement pour protéger l’appareil.

MINUTERIE D’ARRÊT APRÈS UNE HEURE

Lorsque la MINUTERIE D’ARRÊT APRÈS UNE HEURE est activée, l’appareil s’éteint automatiquement au bout d’une heure.



1 Appuyez sur la touche 1hr OFF.

- La télécommande affiche “”.
- Le voyant orange TIMER s’allume sur l’appareil.
- L’appareil s’arrête de fonctionner après une heure.

POUR ANNULER

Appuyez sur la touche CANCEL.

- Le voyant orange TIMER s’éteint sur l’appareil.

Sinon, éteignez l’appareil en appuyant sur la touche POWER.

- Le voyant rouge OPERATION et le voyant orange TIMER s’éteignent sur l’appareil.

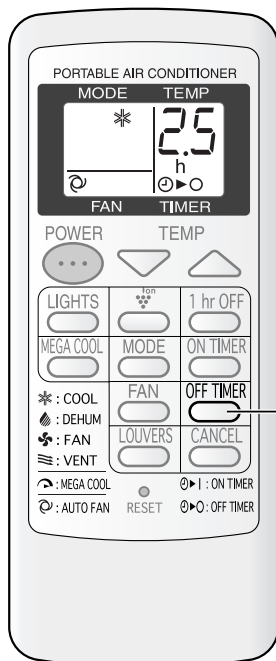
REMARQUES :

- Le fonctionnement avec MINUTERIE D’ARRÊT APRÈS UNE HEURE a la priorité sur les fonctionnements de MINUTERIE DE MARCHÉ et D’ARRÊT.
- Si la MINUTERIE D’ARRÊT APRÈS UNE HEURE est activée tandis que l’appareil est en arrêt, l’appareil fonctionne pendant une heure aux conditions précédemment réglées.
- Si vous désirez faire fonctionner l’appareil une heure de plus avant le déclenchement de la MINUTERIE D’ARRÊT APRÈS UNE HEURE, appuyez de nouveau sur la touche 1 hr OFF en cours de marche.

FONCTIONNEMENT AVEC MINUTERIE

MINUTERIE D'ARRÊT

L'unité s'arrête automatiquement suivant votre réglage.
Le délai de temporisation peut être réglé entre un minimum d'une demi-heure (30 minutes) et un maximum de 12 heures.
Cette fonction est réglable par intervalles d'une demi-heure (30 minutes) jusqu'à 9,5 heures et par intervalles d'une heure de 10 à 12 heures.

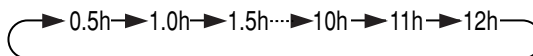


Affichage lorsque l'appareil doit s'éteindre dans 2,5 heures.

Dirigez la télécommande vers la fenêtre du capteur sur l'unité.

1 Appuyez sur la touche OFF TIMER et réglez le délai souhaité.

- Le réglage du délai varie comme suit à chaque pression de la touche.



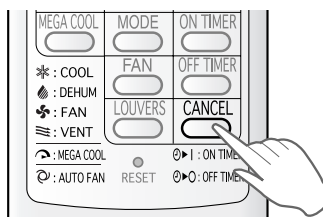
Tenez la touche enfoncée pour faire défiler rapidement les réglages.

- Le voyant orange TIMER s'allume sur l'appareil.
- L'appareil émet un bip lorsqu'il reçoit le signal.
- Le compte à rebours du réglage de la minuterie s'affichera pour indiquer le temps restant.

POUR ANNULER LA MINUTERIE

Appuyez sur la touche CANCEL.

- Le voyant orange TIMER s'éteint sur l'appareil.

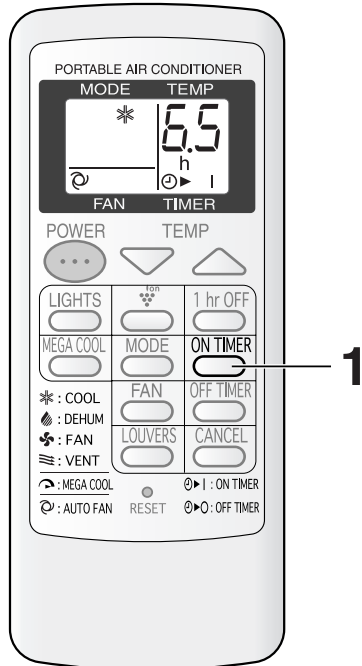


REMARQUES SUR LES RÉGLAGES ET LE FONCTIONNEMENT DE LA MINUTERIE

- Le dernier réglage du délai sera mémorisé et apparaîtra sur l'affichage de la télécommande lorsque vous effectuerez le prochain réglage de la MINUTERIE D'ARRÊT ou DE MARCHÉ.
- Il est impossible de régler à la fois la MINUTERIE D'ARRÊT et DE MARCHÉ. Seul le réglage de MINUTERIE le plus récent est valide.
- Quand la MINUTERIE D'ARRÊT APRÈS UNE HEURE est réglée, les MINUTERIES D'ARRÊT et DE MARCHÉ sont inaccessibles.
- Si vous réglez la MINUTERIE D'ARRÊT APRÈS UNE HEURE quand la MINUTERIE DE MARCHÉ ou D'ARRÊT est activée, cette dernière sera annulée.
- Si une panne de courant survient quand la MINUTERIE D'ARRÊT ou DE MARCHÉ est activée, le réglage de la MINUTERIE est annulé et ne sera pas récupéré même au retour de l'électricité.

MINUTERIE DE MARCHÉ

L'unité s'arrête automatiquement suivant votre réglage.
Le délai de temporisation peut être réglé entre un minimum d'une demi-heure (30 minutes) et un maximum de 12 heures.
Cette fonction réglable par intervalles d'une demi-heure (30 minutes) jusqu'à 9,5 heures et par intervalles d'une heure de 10 à 12 heures.

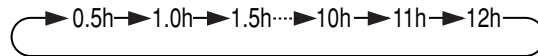


Affichage lorsque l'appareil doit s'allumer dans 6,5 heures.

Dirigez la télécommande vers la fenêtre du capteur sur l'unité.

1 Appuyez sur la touche ON TIMER.

- Le réglage du délai varie comme suit à chaque pression de la touche.



Tenez la touche enfoncée pour faire défiler rapidement les réglages.

- Le voyant orange TIMER s'allume sur l'appareil.
- L'appareil émet un bip lorsqu'il reçoit le signal.
- Le compte à rebours du réglage de la minuterie s'affichera pour indiquer le temps restant.

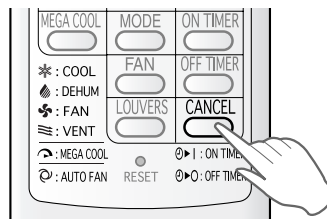
Sélectionnez le mode, la température, le réglage de la vitesse du ventilateur et le fonctionnement PLASMACLUSTER selon vos désirs.

- Lorsque la température est réglée avec la MINUTERIE DE MARCHÉ, celle-ci est affichée pendant 5 secondes, puis l'affichage du temps revient.
- Si vous ne modifiez pas le réglage, l'appareil active le réglage le plus récent.

POUR ANNULER LA MINUTERIE

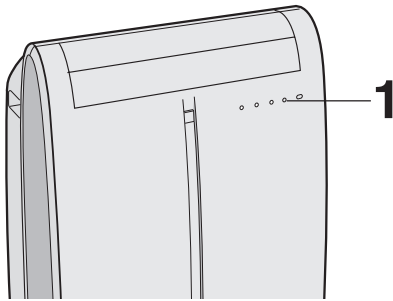
Appuyez sur la touche CANCEL.

- Le voyant orange TIMER s'éteint sur l'appareil.



FONCTIONNEMENT EN MODE D'UNITE PRINCIPALE

Utilisez ce mode si la télécommande n'est pas disponible.



1 Appuyez sur la touche POWER de l'appareil.

- Le voyant rouge OPERATION s'allume sur l'appareil.
- Si l'appareil n'a pas été débranché depuis sa dernière utilisation, il reprendra son fonctionnement avec les réglages précédents.
- Si l'appareil a été débranché depuis sa dernière utilisation, il reprendra son fonctionnement en mode de refroidissement, réglé sur 68°F (20°C). La vitesse du ventilateur sera réglée sur AUTO.

POUR ÉTEINDRE

Appuyez de nouveau sur la touche POWER.

- Le voyant rouge OPERATION s'éteint sur l'appareil.

REMARQUE :

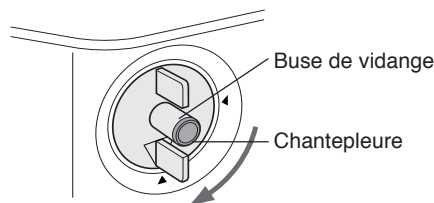
- Au démarrage du fonctionnement en mode MAIN UNIT (unité principale), la pompe de drainage dans l'unité tourne environ une minute, ce qui peut produire un gargouillement audible.

VIDANGE

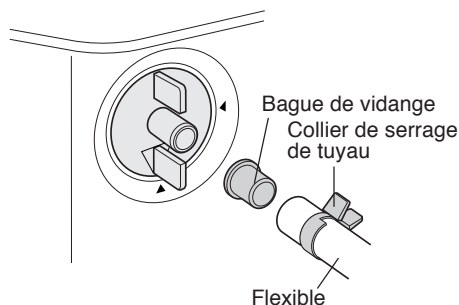
Préparez-vous à la vidange et évacuez l'eau de l'unité dans les cas suivants.

Si l'appareil s'arrête de fonctionner et que les voyants **TIMER**, **OPERATION** et **MEGA COOL** clignotent. (Cela indique que le réservoir d'eau dans l'appareil est plein.)

- 1 Prenez soin d'éteindre l'appareil.**
- 2 Tournez la buse de vidange vers la position OUVERTE.**
- 3 Tirez la chantepleur pour la détacher de la buse de vidange.**
 - Une fois la chantepleur enlevée, il est possible qu'un peu d'eau s'échappe de la buse de vidange.
- 4 Insérez le collier de serrage de tuyau dans un flexible commercial standard (diam. int. de 5/8 po [16 mm], diam. ext. de 7/8 po [22 mm]) et attachez la bague de vidange au flexible.**
- 5 Raccordez le flexible à la buse de vidange en le fixant avec le collier de serrage de tuyau.**
 - Préparez-vous à l'évacuation, car l'eau de vidange sortira du flexible en cours de marche.
- 6 Appuyez deux fois sur la touche POWER de l'appareil.**
 - L'eau s'échappera par le flexible de vidange. La quantité maximale d'eau de vidange sortante est d'environ 4¹/₅ chopines (2 L).
 - Les voyants **OPERATION**, **TIMER** et **MEGA COOL** vont clignoter.
- 7 Quand l'eau de vidange cesse de sortir du tuyau, éteignez l'appareil par une pression de la touche POWER.**
 - Cela prendra environ une minute.
- 8 Détachez le flexible de la buse de vidange et remplacez la chantepleur.**
 - Conservez le collier de serrage de tuyau et la bague de vidange en vue d'une réutilisation.
- 9 Tournez la buse de vidange en position FERMÉE.**

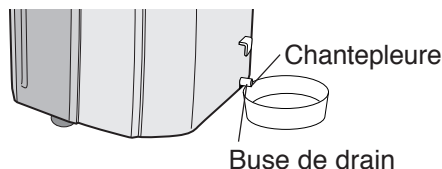


Position "OUVERTE"



Lors de tout déplacement de l'appareil (pour ne pas répandre l'eau qu'il contient).
Quand l'appareil reste longtemps inutilisé.

- 1 Exécutez les étapes 1 à 5 ci-dessus.**
- 2 Appuyez sur la touche POWER de l'appareil.**
 - L'eau s'échappera par le flexible de vidange. La quantité maximale d'eau de vidange sortante est d'environ 4¹/₅ chopines (2 L).
 - Les voyants **OPERATION** vont clignoter.
- 3 Quand l'eau de vidange cesse de sortir du tuyau, éteignez l'appareil par une pression de la touche POWER.**
 - Cela prendra environ une minute.
- 4 Détachez le flexible de la buse de vidange et remplacez la chantepleur.**
 - Conservez le collier de serrage de tuyau et la bague de vidange en vue d'une réutilisation.
- 5 Tournez la buse de vidange en position FERMÉE.**
- 6 Retirez la chantepleur de la buse de drain et vidangez complètement l'eau se trouvant à l'intérieur de l'appareil.**
 - Prévoyez toujours un récipient pour recueillir l'eau avant de vidanger. La quantité maximale d'eau de vidange sortante est d'environ 2²/₅ chopines (0,2 L).
- 7 Remplacez la chantepleur sur la buse de drain.**

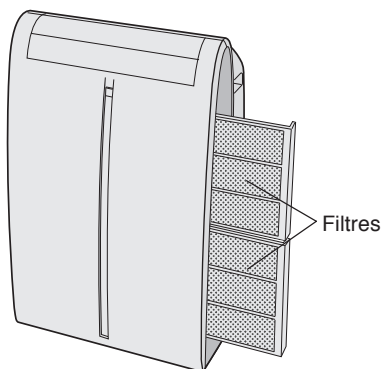


ENTRETIEN

Assurez-vous de débrancher le cordon d'alimentation de la prise murale avant tout entretien.

NETTOYAGE DES FILTRES

Si le filtre est bouché par la poussière, le débit d'air baisse, ce qui cause une mauvaise capacité de refroidissement. Le filtre doit être nettoyé toutes les deux semaines.



1 ENLEVEZ LES FILTRES

- Tirez délicatement la poignée du filtre vers la droite et glissez le filtre hors de l'appareil.

2 NETTOYEZ LES FILTRES

- Utilisez un aspirateur pour éliminer la poussière. Si les filtres sont encrassés, lavez-les avec un détergent et rincez-les avec soin à l'eau claire. Séchez les filtres à l'ombre avant de les remettre en place.

3 RÉINSTALLEZ LES FILTRES

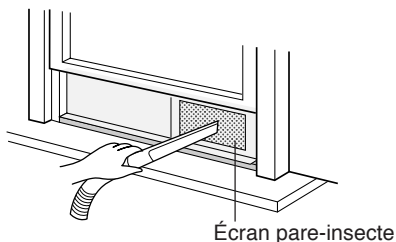
- Saisissez la poignée du filtre et repoussez doucement le filtre à sa place. Ne faites jamais fonctionner l'appareil sans filtre. Cela pourrait l'endommager gravement.

NETTOYAGE DE L'APPAREIL ET DE LA TÉLÉCOMMANDE

Essuyez-les avec un chiffon doux et sec ou un chiffon humecté de savon doux. Éliminez soigneusement tout résidu avec un chiffon humide et séchez complètement.

Évitez d'éclabousser l'appareil d'eau. L'eau peut détériorer dangereusement l'isolation électrique. N'utilisez jamais de produits chimiques forts ou de nettoyants abrasifs sur une partie quelconque de l'unité. Pour éviter d'abîmer l'appareil, ne le nettoyez pas à l'eau chaude (120°F [50°C] ou plus).

NETTOYAGE DE L'ÉCRAN PARE-INSECTE



La capacité de refroidissement peut baisser ou disparaître complètement si l'écran pare-insecte devient encrassé de poussière.

Détachez périodiquement l'adaptateur d'échappement de fenêtre du panneau de fenêtre et nettoyez l'écran pare-insecte avec un aspirateur ou l'équivalent.

ENTRETIEN APRÈS LA SAISON DE CLIMATISATION

- 1 Vidangez pour évacuer l'eau à l'intérieur de l'unité. (Voyez page 27 "Quand l'appareil reste longtemps inutilisé".)
- 2 Faites fonctionner l'appareil en mode VENTILATEUR ou VENTILATION pendant environ une demi-journée pour bien sécher l'intérieur de l'appareil.
- 3 Nettoyez les filtres, puis remettez-les en place.

AVANT D'APPELER LE SERVICE APRÈS-VENTE

Si l'appareil semble mal fonctionner, vérifiez les points suivants avant de faire appel au service après-vente.

LE CLIMATISEUR NE FONCTIONNE PAS DU TOUT

- L'appareil est-il branché ou sa fiche est-elle mal engagée ?
- Le fusible est-il grillé ou le disjoncteur déclenché ?
- Avez-vous rallumé l'appareil dans les 3 minutes suivant une coupure de courant ?
Si le courant a manqué moins de 3 minutes quand vous avez redémarré le climatiseur, un dispositif de protection a dû éteindre le compresseur pour empêcher le refroidissement pendant environ 5 minutes.
- Les voyants OPERATION, TIMER et MEGA COOL clignotent-ils ?
Le réservoir d'eau dans l'appareil est plein. Il doit être vidangé. (Voyez page 27.)
- Contrôlez la fiche. (Voyez page 16.)

LE CLIMATISEUR NE REFROIDIT PAS BIEN

- Est-il réglé sur le mode VENTILATEUR, DÉSHUMIDIFICATION ou VENTILATION ?
Il n'y a pas de refroidissement dans ces modes. Changez de MODE.
- Les filtres sont-ils bouchés par la poussière ?
Nettoyez et remplacez les filtres.
- Le serpentin refroidisseur est-il gelé ?
Aucun air ne souffle si le serpentin refroidisseur est gelé.
Faites fonctionner le climatiseur en mode VENTILATEUR avec la vitesse du ventilateur réglée sur "FORT" jusqu'à ce que toute la glace disparaisse.
- Le réglage de température convient-il ?
- La fenêtre est-elle exposée aux rayons directs du soleil ?
Fermez les rideaux ou les stores pour minimiser l'énergie solaire qui chauffe la pièce.
- Le flexible d'évacuation est-il trop long ?
En vue d'un fonctionnement efficace, rendez le tuyau aussi court que possible. Le flexible d'évacuation ne doit être ni tordu, ni plié.

BRUITS

- L'appareil peut sembler bruyant pendant les 2-3 premières minutes de marche. C'est le son du compresseur qui démarre et c'est parfaitement normal.
- Un bruissement doux peut se faire entendre immédiatement après la mise sous ou hors tension de l'appareil, ainsi qu'en cours de fonctionnement. C'est le son du frigorigène se propageant à l'intérieur de l'appareil.
- Un faible bourdonnement est émis lorsque l'appareil génère des ions Plasmacluster.
- Ce climatiseur évapore l'eau qui s'est condensée à l'intérieur en mode de refroidissement par la bouche d'évacuation de l'air. Il est normal d'entendre de l'eau s'écouler.
- Il peut y avoir un gargouillement audible d'environ une minute au démarrage du mode AUXILIAIRE. C'est le son que produit la pompe de drainage en marche dans l'unité.
- **Vous risquez d'entendre un gargouillement si l'appareil est exploité sur un sol légèrement incliné. Placez l'appareil sur un sol plan.**

LA MINUTERIE FONCTIONNE MAL

- Si une panne de courant survient quand la MINUTERIE est activée, le réglage de la MINUTERIE est annulé et ne sera pas récupéré même au retour de l'électricité. C'est normal avec cet appareil.

L'APPAREIL NE RÉAGIT PAS AU SIGNAL DE LA TÉLÉCOMMANDE

- Vérifiez les piles de la télécommande. Remplacez-les au besoin.
- Essayez de renvoyer le signal avec la télécommande pointée directement sur la fenêtre de réception du signal de l'appareil.
- Vérifier si les piles de la télécommande sont mises en place en respectant les polarités.

L'AIR REFOULÉ DÉGAGE UNE ODEUR

- Le générateur d'ions Plasmacluster émet de très faibles concentrations d'ozone qui peuvent avoir une odeur. Ces niveaux d'émissions d'ozone sont en dessous des niveaux de risque précisés par la FDA et par Santé Canada.

Este manual explica cómo utilizar de forma correcta su nuevo acondicionador de aire. Antes de usar el producto lea el manual detenidamente. Este manual debería de guardarse en un lugar seguro para futuras referencias.

ÍNDICE

• SOLICITU DE SERVICIO AL CLIENTE (EE.UU.)	S-2
• GARANTÍA LIMITADA DEL CONSUMIDOR (EE.UU.)	S-3
• PRECAUCIONES	S-4
• UBICACIÓN	S-7
• PIEZAS INCLUIDAS	S-7
• DESIGNACIÓN DE LAS PIEZAS	S-8
• INSTALACIÓN DEL PANEL DE VENTANA	S-10
• INSTALACIÓN Y DESMONTAJE DE LA MANGUERA DE ESCAPE	S-14
• REVISIONES ANTES DE INICIAR EL FUNCIONAMIENTO	S-16
• MODO ENFRIAR	S-18
• MODO DESHUMIDIFICACIÓN	S-19
• MODO VENTILADOR	S-20
• MODO VENTILACIÓN	S-20
• CAMBIO DE LA DIRECCIÓN DE LA CORRIENTE DE AIRE	S-21
• FUNCIONAMIENTO DEL PLASMACLUSTER	S-22
• FUNCIONAMIENTO MEGA COOL	S-23
• FUNCIÓN DE DESACTIVACIÓN AUTOMÁTICA EN UNA HORA	S-23
• FUNCIONAMIENTO CON EL TEMPORIZADOR	S-24
• FUNCIONAMIENTO DE LA UNIDAD PRINCIPAL	S-26
• DRENAJE	S-27
• MANTENIMIENTO	S-28
• ANTES DE LLAMAR AL DEPARTAMENTO DE SERVICIO TÉCNICO	S-29

Declaración de conformidad

ACONDICIONADOR DE AIRE SHARP CV-P09LX, CV-P12LX, CV-P10LC, CV-P10MX

Este dispositivo cumple con la parte 18 de las reglas de la FCC.

Organismo responsable:

SHARP ELECTRONICS CORPORATION.
Sharp Plaza, Mahwah, New Jersey 07430-2135
TEL: 1-800-BE-SHARP

SOLICITU DE SERVICIO AL CLIENTE (Estados Unidos)

A manera de ayuda para responder a sus preguntas, si llama solicitando servicio o reportando la perdida o robo, escriba en el formulario que sigue a continuación el número del modelo y el número de serie, los cuales se encuentran en la parte posterior de la unidad.

NÚMERO DEL MODELO

NÚMERO DE SERIE

FECHA DE COMPRA

Nombre del distribuidor

Dirección

Ciudad

Estado

Código postal

Teléfono

LLAMADAS: Marque el 1-800-BE-SHARP (237-4277) para:
SERVICIO (para su centro de servicio autorizado Sharp más cercano)
PIEZAS (para su distribuidor autorizado de piezas)
ACCESORIOS
INFORMACIÓN ADICIONAL PARA LOS CLIENTES

CORRESPONDENCIA: Sobre problemas de servicio, información de garantía, ítems perdidos y otras ayudas:
Sharp Electronics Corporation
Customer Assistance Center
1300 Naperville Drive
Romeoville, IL 60446-1091

ACCESO A INTERNET: www.sharppusa.com

Proporcionémos la información siguiente cuando nos escriba o nos llame: número del modelo, número de serie, fecha de compra, su dirección completa para correspondencia (incluyendo el código de área) y una descripción del problema.

GARANTÍA LIMITADA AL CONSUMIDOR

GARANTÍA LIMITADA DEL CONSUMIDOR PARA USUARIOS DE EE.UU.

SHARP ELECTRONICS CORPORATION garantiza al consumidor final, que este producto marca SHARP ("el Producto"), estará libre de defectos de mano de obra y materiales, cuando este ha sido enviado en su empaque original. Y accede a reparar o reemplazar el Producto defectuoso o la pieza, con uno nuevo o un equivalente remanufacturado, sin cargo de las piezas o de mano de obra al consumidor final por el periodo a continuación indicado.

Esta Garantía no se aplica para piezas estéticas o piezas adicionales excluidas ni para ningún Producto que halla sido dañado por voltaje inapropiado u otro uso inapropiado, condiciones de servicio y de embarque anormales o que haya sido alterado o modificado en su diseño o construcción.

Para hacer valida la garantía el consumidor deberá seguir los pasos a continuación enunciados y proveer la prueba de compra al centro de servicio.

La Garantía limitada aquí descrita es adicional a las garantías implicadas, que por ley le son concedidas al consumidor final. TODAS LAS GARANTÍAS IMPLICADAS, INCLUYENDO LAS GARANTÍAS MERCANTILES ESTÁN LIMITADAS A PERIODOS A PARTIR DE LA FECHA DE COMPRA. Algunos estados no permiten limitaciones en los periodos de garantía, por lo que la limitante arriba descrita puede no aplicar para usted.

Ni el personal de ventas de la compañía vendedora ni ninguna otra persona están autorizados para ofrecer otras garantías aparte de las aquí descritas, o para extender el período descrito a nombre de Sharp.

La corrección de defectos, en el tiempo y forma aquí descritos, deberán constituir la completa satisfacción de todas las responsabilidades legales de Sharp hacia el comprador con respecto al Producto, y deberán constituir la total satisfacción de todos los reclamos, ya sean basados en un contrato, negligencia, marco legal u otros. En ninguna circunstancia Sharp será responsable por cualquier daño o defectos en el Producto, causados por reparaciones o intentos de reparaciones hechos por cualquier persona, excepto los centros de servicio autorizados por Sharp. En ninguna circunstancia Sharp será responsable por daños incidentales o consecuentes, económicos o daño de propiedades. Algunos estados no permiten la exclusión de daños incidentales o consecuentes, así que la exclusión arriba descrita puede no aplicar para usted.

ESTA GARANTÍA LE OTORGA DERECHOS LEGALES ESPECÍFICOS. USTED PUEDE TENER OTROS DERECHOS, QUE VARIAN DE ESTADO A ESTADO.

Número de modelo de su producto y descripción:

CV-P09LX, CV-P12LX, CV-P10LC o CV-P10MX

Acondicionador de aire portátil. Carrousel de uso doméstico (asegúrese de tener ésta información a la mano cuando necesite servicio de su producto).

Período de garantía para este producto:

Un (1) año en piezas y mano de obra. El período de garantía continua por un período adicional de cuatro años hasta completar un total de cinco (5) años desde la fecha de compra para las piezas del sistema de refrigeración hermético; la mano de obra y el servicio no son proporcionados sin cargo en éste período adicional.

Artículo(s) adicional(es) excluido(s) de la cobertura de garantía (si aplica):

Piezas estéticas del Producto, filtros o accesorios, ni a ningún material impreso.

Donde obtener Servicio:

Productos que han sido utilizados para renta o propósitos comerciales. De un proveedor de servicio autorizado localizado dentro de los Estados Unidos de América. Para localizar al proveedor de servicio autorizado, llame sin cargo al 1-800-BE-SHARP (1-800-237-4277).

Qué hacer para obtener servicio:

Flete prepagado, o lleve su producto a un proveedor de servicio autorizado.

Asegúrese de tener a mano su prueba de compra. Si envía el producto, asegúrese de que este empaçado adecuadamente.

PARA OBTENER REFACCIONES, ACCESORIOS O INFORMACIÓN DE LOS PRODUCTOS, LLAME AL 1-800-BE-SHARP O VISITE www.sharppusa.com

SHARP®

SHARP ELECTRONICS CORPORATION

Sharp Plaza, Mahwah, New Jersey 07430-2135

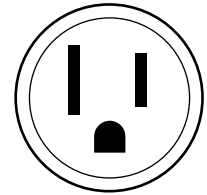
PRECAUCIONES

Aspectos a tener en cuenta al utilizar el acondicionador de aire.

ADVERTENCIAS PARA EL USO

- Instale el acondicionador de aire de acuerdo a las instrucciones de instalación que se describen más adelante en este manual.
- No modifique ninguna de las piezas de este producto.
- No introduzca nada en ninguna de las piezas de esta unidad.
- Asegúrese de que la el suministro de energía utilizada tiene un voltaje nominal apropiado.

Sólo utilice una toma de corriente de CA con voltaje nominal de 125 V, 60 Hz y 15 amperios o más, como el que se muestra en el lado derecho. La utilización de alimentación de energía con un voltaje nominal inadecuado puede ocasionar daños de la unidad e incluso causar un incendio.



- Utilice siempre un fusible con el amperaje nominal adecuado.
No utilice, bajo ninguna circunstancia, alambre, alfileres u otros objetos en lugar de un fusible adecuado.
- Si sucede algo anormal con el acondicionador de aire (por ej. se detecta olor a quemado), apáguelo inmediatamente y desconecte el suministro de energía.

ADVERTENCIA PARA EL CABLE DE SUMINISTRO DE ENERGÍA

- Este acondicionador de aire utiliza una clavija con un fusible incorporado.
Lea las precauciones sobre la clavija de conexión antes de utilizar el acondicionador de aire.
- Antes de utilizar el producto, realice siempre una “Revisión de la clavija de toma de corriente” (vea la página 16) para confirmar que la clavija de toma de corriente funciona normalmente.
- Esta clavija de toma de corriente se debe de enchufar sólo en un enchufe de pared apropiado. No utilizar en conjunción con cables de extensión.
- Introduzca la clavija de toma de corriente firmemente en el enchufe y asegúrese de que no quede holgado.
- No tire del cable de suministro de energía, ni lo deforme o modifique, ni tampoco lo sumerja en agua.
Tirar del cable de suministro de energía o utilizarlo mal puede ocasionar daños de la unidad y descargas eléctricas.
- Un cable de suministro de energía dañado debe ser reemplazado por uno nuevo, obtenido por medio del fabricante del producto, dicho cable no debe ser reparado. El reemplazo debe realizarlo el agente de servicio del fabricante con el fin de evitar riesgo alguno.

NOTA

Interferencias de radio o televisión

Si este acondicionador de aire para habitación causa interferencias en la recepción de radio o televisión, intente corregir la interferencia, tomando una o más de las medidas siguientes:

- Reoriente o cambie la ubicación de la antena receptora.
- Aumente la separación entre el acondicionador de aire para habitación y el receptor de radio/televisión.
- Conecte el acondicionador de aire para habitación a una toma de corriente en un circuito diferente al cual está conectado el receptor de radio/televisión.
- Solicite ayuda al distribuidor o a un técnico de radio/televisión experimentado.

Este producto satisface el requerimiento del estándar internacional CISPR 11.

En conformidad con este estándar, este producto se clasifica como equipo del grupo 2 clase B.

Grupo 2 significa que el equipo intencionalmente genera radio frecuencia en forma de radiación electromagnética para equipos con descarga eléctrica.

Equipo de clase B significa que el equipo es adecuado para utilizarse en establecimientos domésticos.

ADVERTENCIA ACERCA DE LA CONEXIÓN A TIERRA

- **El uso inadecuado de la clavija de conexión a tierra puede provocar el riesgo de descargas eléctricas.**

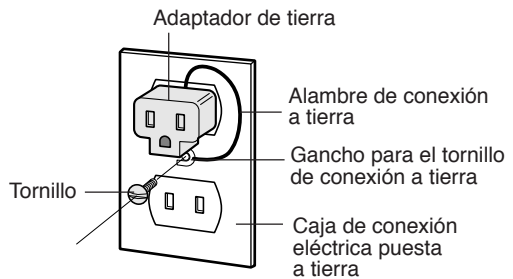
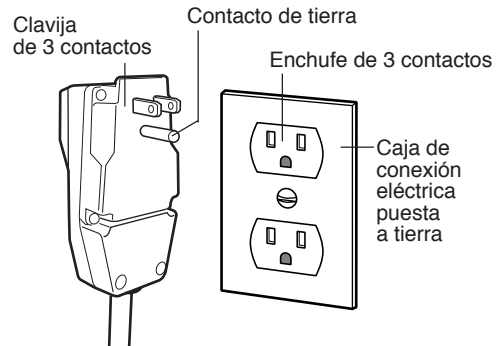
Este aparato debe de ser conectado a tierra. En caso de que ocurra un cortocircuito, la conexión a tierra reduce el riesgo de una descarga eléctrica, al proporcionar un conducto menos resistente para la corriente eléctrica.

Este aparato está equipado con un cable que tiene un alambre de conexión a tierra conectado a una clavija de conexión a tierra. La clavija se debe conectar a una toma de corriente que esté instalada y puesta a tierra correctamente.

- **Bajo ninguna circunstancia corte ni extraiga de esta clavija el contacto redondeado de a tierra.**

Si no entiende completamente las instrucciones de conexión a tierra, o en caso de alguna duda sobre si su aparato está o no correctamente conectado a tierra, consulte a un electricista o técnico de servicio.

Si se utiliza un adaptador de tierra, asegúrese de que la caja de conexión eléctrica esté puesta a tierra completamente.



PRECAUCIONES PARA EL USO

- **Ventilar la habitación periódicamente durante el uso, sobre todo si se usan aparatos que funcionan con gas.**
- **Asegúrese de apagar la unidad y desconectar el cable de suministro de energía antes de realizar cualquier mantenimiento o limpieza.**
- **No rocíe o derrame agua directamente sobre la unidad.**
El agua puede causar descargas eléctricas o daños al equipo.
- **Debe de realizarse el drenaje cada vez que mueva el acondicionador de aire. (Vea la página 27)**
Si queda algo de agua en el depósito, podría derramarse al moverse.
- **Retire el panel de ventana en caso de condiciones atmosféricas adversas.**
Condiciones atmosféricas extremas pueden ocasionar la entrada de agua a través de las aperturas.
- **Para asegurar un drenaje adecuado, la manguera de drenaje no debe de tener torceduras o estar a un nivel diferente durante el modo deshumidificación.**
El agua drenada podría derramarse fuera.
- **La temperatura alrededor de la manguera de drenaje no debe ser inferior al punto de congelación cuando se utilice.**
El agua drenada podría congelarse dentro de la manguera, causando que el agua que se encuentra dentro de la unidad se desborde.
- **No bloquee el orificio de salida de aire del escape con obstáculos.**
La capacidad de enfriamiento podría verse reducida o incluso detenerse por completo.

PRECAUCIONES

OBSERVACIONES SOBRE EL FUNCIONAMIENTO

- **Deje que pasen 3 minutos para que el compresor reanude el enfriamiento.**
Si apaga el acondicionador de aire y lo enciende inmediatamente después, deje que pasen tres minutos para que el compresor reanude el enfriamiento. Hay un dispositivo electrónico de la unidad que mantiene el compresor desactivado durante tres minutos por seguridad.
- **Si sucede un fallo de energía durante el uso, deje que pasen 3 minutos antes de reiniciar la unidad.**
Después de que se reinstale la energía, reinicie el acondicionador de aire. Si la energía ha estado desactivada durante menos de tres minutos, asegúrese de esperar por lo menos tres minutos antes de reiniciar la unidad. Si reinicia el acondicionador de aire en el plazo de tres minutos, un dispositivo de protección de la unidad puede causar que se interrumpa el funcionamiento del compresor. Este dispositivo de protección evitará el enfriamiento durante aproximadamente 5 minutos. Se anulará cualquier ajuste previo y la unidad volverá a los ajustes iniciales.
- **Funcionamiento a temperatura baja: ¿Se está congelando la unidad?**
La unidad puede llegar a congelarse cuando se ajuste entorno a los 64°F en condiciones de temperatura ambiente baja, especialmente por la noche.
En estas condiciones, si baja más la temperatura puede que se congele la unidad.
Si ajusta la unidad a una temperatura más alta evitará que se congele.
- **El modo deshumidificación aumenta la temperatura ambiente.**
Durante el modo deshumidificación la unidad genera calor y la temperatura ambiente aumenta. Saldrá aire caliente del orificio de salida de aire de escape, pero esto es normal y no indica que haya algún problema con la unidad.
- **Este acondicionador de aire inyecta el aire caliente generado por la unidad fuera de la habitación a través de la manguera de escape cuando se encuentra en el modo enfriar.**
Por consiguiente, la misma cantidad de aire inyectada hacia el exterior entrará en la habitación desde el exterior a través de cualquier apertura en la habitación.
- **Cuando la función de enfriamiento se lleva a cabo en condiciones de alta humedad, el depósito de agua localizado dentro de la unidad puede llenarse frecuentemente.**
Cuando se llene el depósito de agua del interior de la unidad, ésta se dejará de funcionar y las lámparas TIMER, OPERATION y MEGA COOL parpadearán. En este caso, realice el drenaje para sacar el agua que se encuentra dentro de la unidad. (Vea la página 27)

CONDICIONES DE FUNCIONAMIENTO

- El acondicionador de aire debe de funcionar dentro del margen de temperatura indicado a continuación.

MODO	TEMPERATURA DE LA HABITACIÓN
ENFRIAR	64°F ~ 95°F
Deshumidificación	59°F ~ 95°F

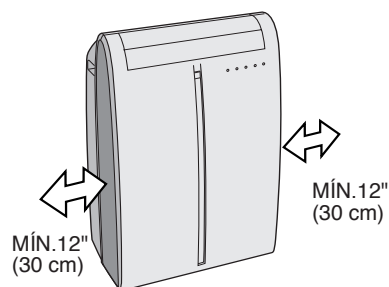
- Un dispositivo de seguridad incorporado puede desactivar el funcionamiento si la temperatura excede estos límites.
- Cuando se está llevando a cabo la función de enfriamiento a una temperatura de habitación alta, el ventilador podría funcionar ligeramente más despacio.

CONSEJOS PARA EL RENDIMIENTO DE ENERGÍA

- **Evite la luz solar directa.**
Cerrar las persianas, cortinas para evitar la luz solar directa durante el modo de enfriamiento.
- **Mantenga el filtro limpio.**
Mantener el filtro limpio ayuda mucho a conseguir un funcionamiento eficaz.
Si el filtro está sucio bloquea la corriente de aire, haciendo que el acondicionador de aire trabaje más duro y menos eficazmente. Vea la página 28 para saber cómo limpiar el filtro.
- **Apague luces no necesarias.**
El acondicionador de aire tiene que eliminar el calor producido por las luces u otros dispositivos que producen calor. Apague las luces y dispositivos que no se utilicen.
- **Apague el acondicionador de aire cuando no haya nadie en casa.**
Utilizar sólo cuando sea necesario. Cuanto menos tiempo se utilice el acondicionador de aire, menores son los costes de funcionamiento.

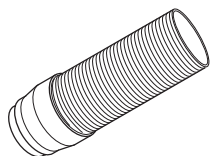
UBICACIÓN

- El acondicionador de aire debería de colocarse en un lugar firme para minimizar el ruido y la vibración. Para una colocación firme y segura, coloque la unidad sobre una superficie lisa, a nivel y lo suficientemente fuerte para sostener la unidad.
- La unidad posee unas ruedecillas para facilitar la colocación, pero debería de rodarse sólo en superficies lisas y planas. Tenga cuidado al rodar sobre superficies con alfombra. No trate de rodar la unidad sobre objetos.
- La unidad se debe de colocar en un lugar desde donde se pueda llegar a un enchufe conectado a tierra con capacidad nominal adecuada.
- No coloque nunca obstáculos alrededor del orificio de entrada o de salida de aire de la unidad.
- Deje un espacio de por lo menos 12" (30 cm) con respecto a la pared para un acondicionamiento de aire eficaz.

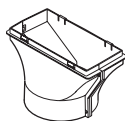


PIEZAS INCLUIDAS

Manguera de escape (1)



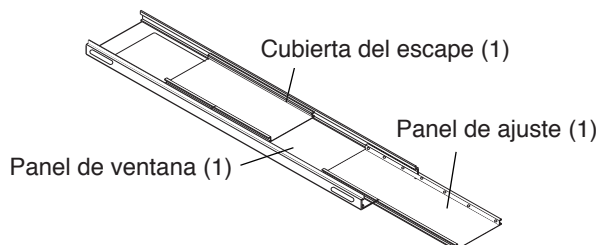
Adaptador del escape de la ventana (1)



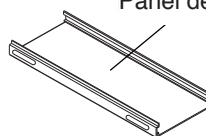
Arandela de drenaje (1)



Abrazadera (1)



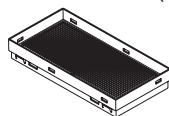
Panel de extensión (1)



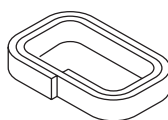
Protector contra la lluvia (2)



Red de protección contra insectos (1)



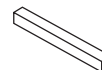
Sello de espuma (1)



Sello de espuma (3) (tipo adhesivo) A



Sello de espuma (1) (tipo adhesivo) B



(espesor: 1/5")

(espesor: 2/5")

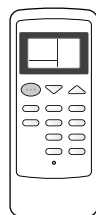
Abrazadera de manguera (1)



Tornillo (8)



Control remoto (1)



Pila (2) (AAA.R03)



Manual (1)

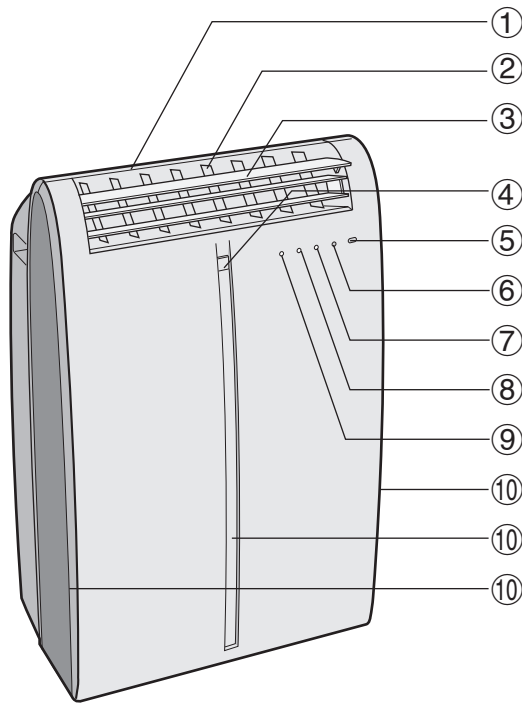


HERRAMIENTAS SUGERIDAS PARA LA INSTALACIÓN DEL PANEL DE VENTANA

1. Destornillador (Phillips tamaño mediano)
2. Cinta métrica o regla
3. Cuchillo o tijeras
4. Sierra (En el caso de que el panel de ventana necesite cortarse, debido a que la ventana es demasiado angosta para realizar la instalación directa).

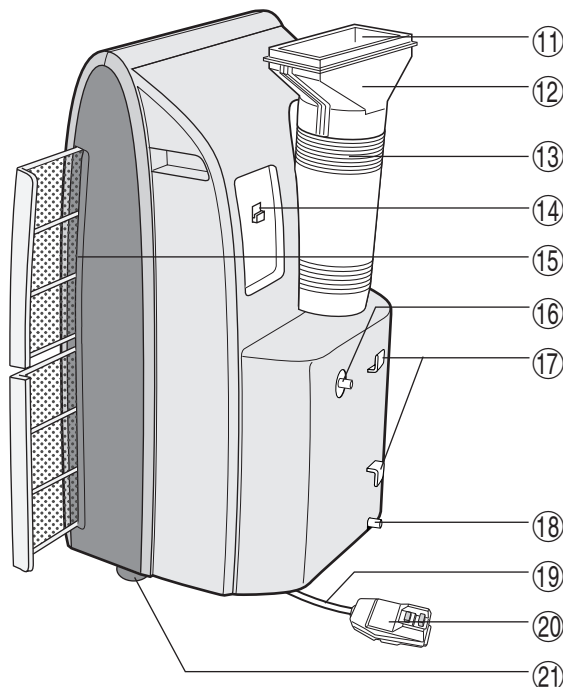
DESIGNACIÓN DE LAS PIEZAS

PARTE DELANTERA



- ① Orificio de salida de aire
- ② Deflectores verticales
- ③ Deflectores horizontales
- ④ Lámpara de PLASMA-CLUSTER (azul)
- ⑤ Ventana receptora de señal del control remoto
- ⑥ Botón POWER
- ⑦ Lámpara OPERATION (roja)
- ⑧ Lámpara TIMER (anaranjada)
- ⑨ Lámpara MEGA COOL(verde)
- ⑩ Orificio de entrada de aire

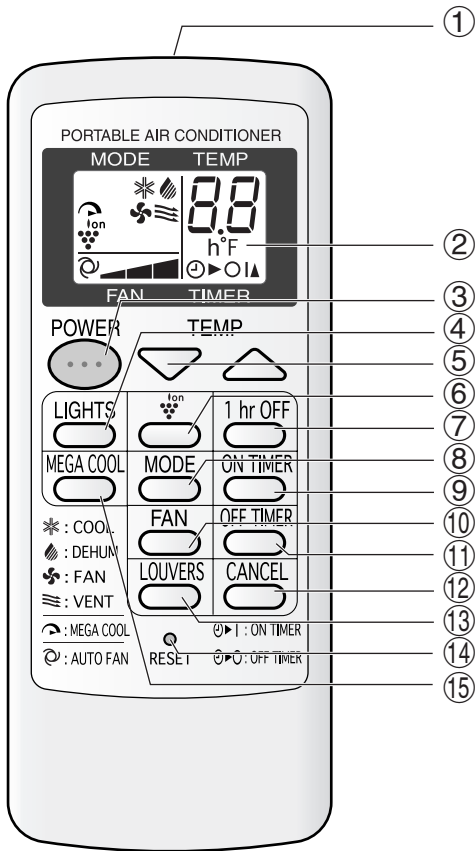
PARTE TRASERA



- ⑪ Orificio de salida de aire de escape
- ⑫ Adaptador del escape de la ventana
- ⑬ Manguera de escape
- ⑭ Gancho para el control remoto
- ⑮ Filtros de aire
- ⑯ Boquilla de drenaje y llave de paso
- ⑰ Ganchos para el cable de suministro de energía
- ⑱ Boquilla del tubo de drenaje y llave de paso
- ⑲ Cable de suministro de energía
- ⑳ Clavija de toma de corriente
- ㉑ Ruedecillas (4)

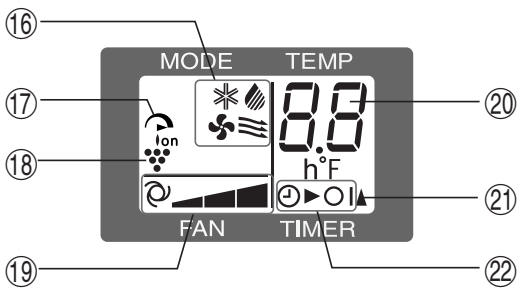
NOTA: La unidad puede diferir ligeramente de la ilustración de arriba.

CONTROL REMOTO



- ① Transmisor
- ② Pantalla de visualización
- ③ Botón de alimentación (POWER)
- ④ Botón de luz (LIGHTS)
- ⑤ Botón de temperatura (TEMP)
- ⑥ Tecla PLASMACLUSTER
- ⑦ Botón de desactivación automática en una hora (1 hr OFF)
- ⑧ Tecla de modo (MODE)
- ⑨ Botón de activación del temporizador (ON TIMER)
- ⑩ Tecla de ventilación (FAN)
- ⑪ Botón de desactivación del temporizador (OFF TIMER)
- ⑫ Botón de cancelación (CANCEL)
- ⑬ Botón de deflectores (LOUVERS)
- ⑭ Botón de reajuste (RESET)
- ⑮ Botón de superenfriamiento (MEGA COOL)

PANTALLA DE VISUALIZACIÓN DEL CONTROL REMOTO



- ⑯ SÍMBOLOS DE MODO
 - * : ENFRIAR
 - ☀ : DESHUMIDIFICACIÓN
 - ☪ : VENTILADOR
 - ≡ : VENTILACIÓN
- ⑰ SÍMBOLO DE SUPERENFRIAMIENTO
- ⑱ SÍMBOLO DEL PLASMACLUSTER
- ⑲ SÍMBOLOS DE VELOCIDAD DEL VENTILADOR
 - ⌚ : AUTOMÁTICO
 - ▬▬▬ : Ajuste manual
- ⑳ INDICADOR DE TEMPERATURA Y CUENTA ATRÁS DEL TEMPORIZADOR
- ㉑ SÍMBOLO DE TRANSMISIÓN
- ㉒ SÍMBOLO DEL TEMPORIZADOR DE ACTIVACIÓN/DESACTIVACIÓN

INSTALACIÓN DEL PANEL DE VENTANA

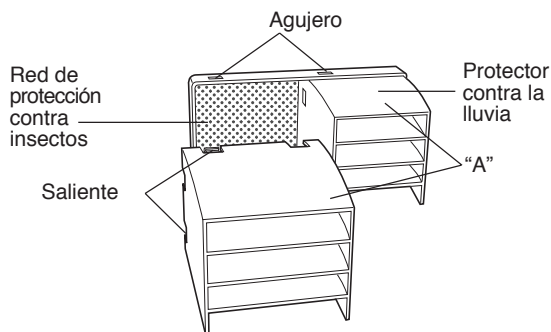
Instalación en una ventana de guillotina doble

(Vea la página 12 para la instalación en una ventana de guillotina deslizante).

1 Conecte los protectores contra la lluvia a la red de protección contra insectos.

Inserte las tres salientes en cada protector contra la lluvia dentro de los agujeros en la red de protección contra insectos.

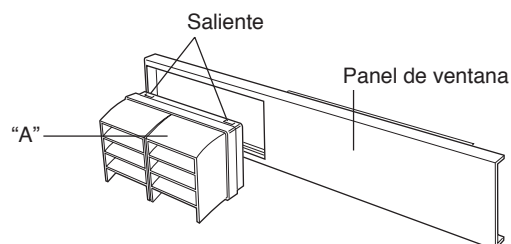
El lado "A" será ahora el lado más alto, como se indica en el diagrama.



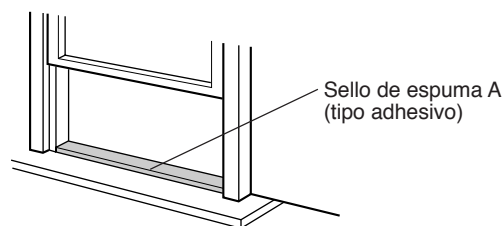
2 Fije el protector combinado anteriormente al panel de ventana

Empuje firmemente la red de protección contra insectos para asegurarse de que las cuatro salientes se hayan encajado dentro de los agujeros en el panel de ventana.

El lado "A" estará ahora en la parte superior, como se indica en el diagrama.



3 Corte el sello de espuma A (tipo adhesivo) a la longitud adecuada y péguelo en el antepecho de ventana



4 Fije el panel de ventana al antepecho.

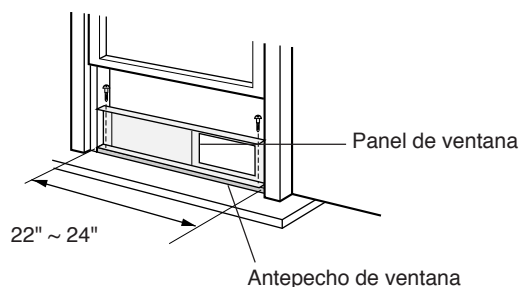
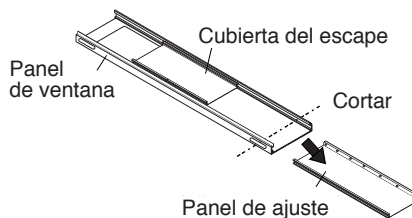
Si el ancho interior de la ventana está entre 22" (559 mm) y 24" (609 mm) inclusive.

No es posible instalar el panel de ventana en ventanas con menos de 22" (559 mm) de ancho, debido a que no podrá cerrar la cubierta del escape.

(1) Retire el panel de ajuste del panel de ventana y corte el panel de ventana para que quede con el mismo ancho de la ventana.

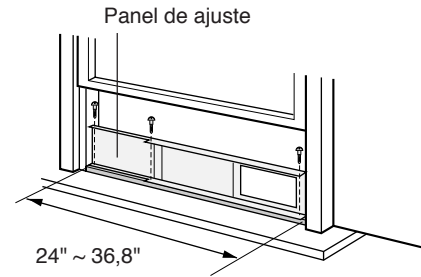
(2) Abra la hoja de la ventana y coloque el panel de ventana sobre el antepecho.

(3) Fije con 2 tornillos el panel de ventana al antepecho.



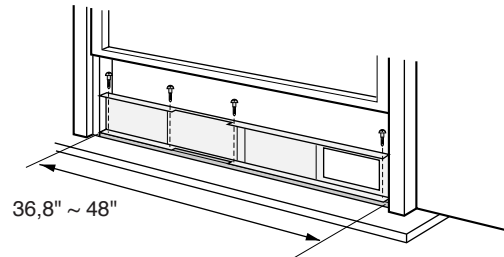
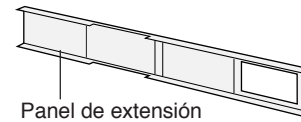
Si el ancho interior de la ventana está entre 24" (609 mm) y 36,8" (934 mm) inclusive.

- (1) Abra la hoja de la ventana y coloque el panel de ventana sobre el antepecho.
- (2) Deslice el panel de ajuste para fijar el ancho del marco de la ventana.
- (3) Fije con 3 tornillos el panel de ventana al antepecho.



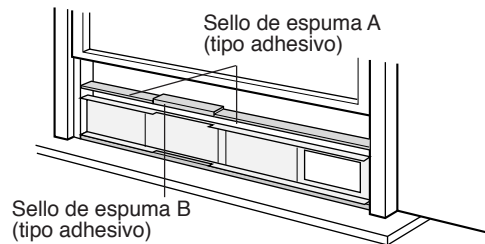
Si el ancho interior de la ventana esta entre 36,8" (934 mm) y 48" (1219 mm) inclusive.

- (1) Fije el panel de extensión al panel de ajuste.
- (2) Abra la hoja de la ventana y coloque el panel de ventana sobre el antepecho.
- (3) Deslice los paneles de extensión y de ajuste para fijar el ancho del marco de la ventana.
- (4) Fije con 4 tornillos el panel de ventana al antepecho.



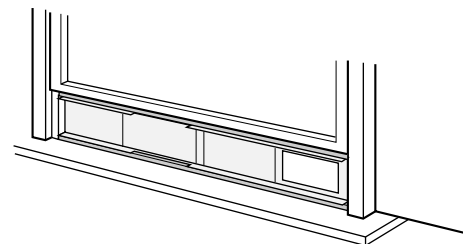
5 Corte los sellos de espuma (tipo adhesivo) A y B a la longitud correcta y fíjelos al panel de ventana.

Fije el sello de espuma A al panel de ventana y al panel de extensión, y fije el sello de espuma B al panel de ajuste.

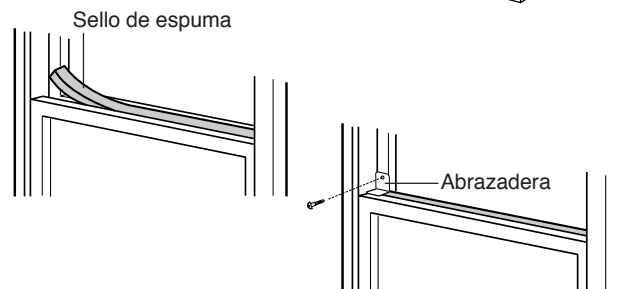


6 Cierre la hoja de la ventana en forma segura contra el panel de ventana.

7 Corte el sello de espuma a la longitud apropiada y selle la apertura entre la parte superior y el exterior de la hoja de la ventana.



8 Fije una abrazadera con el tornillo.



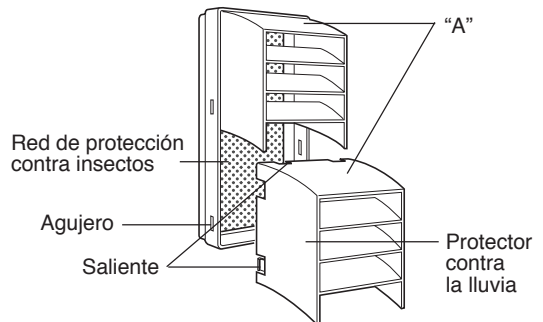
INSTALACIÓN DEL PANEL DE VENTANA

Instalación en una ventana de hoja corredera

(Vea la página 10 para obtener información sobre la instalación en una ventana de guillotina doble).

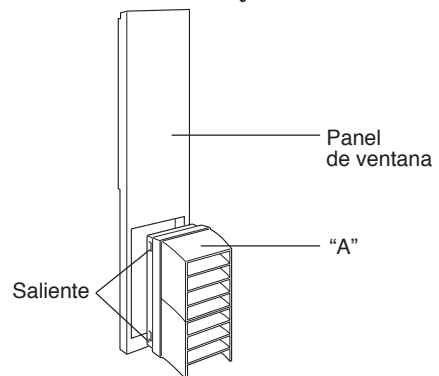
1 Conecte los protectores contra la lluvia a la red de protección contra insectos.

Inserte las tres salientes en cada protector contra la lluvia dentro de los agujeros en la red de protección contra insectos. El lado "A" será ahora el lado más alto, como se indica en el diagrama.

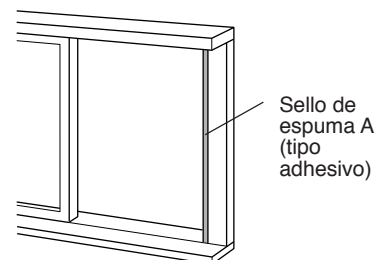


2 Fije el protector combinado anteriormente al panel de ventana.

Empuje firmemente la red de protección contra insectos para asegurarse de que las cuatro salientes se hayan encajado dentro de los agujeros en el panel de ventana. El lado "A" estará ahora en la parte superior, como se indica en el diagrama, cuando este se instala en la ventana.



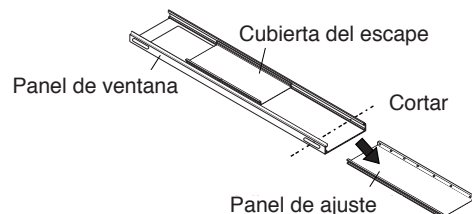
3 Corte el sello de espuma A (tipo adhesivo) a la longitud adecuada y péguelo en el marco de la ventana.



4 Instale el panel de ventana dentro del marco de la ventana.

Si la altura interior de la ventana está entre 22" (559 mm) y 24" (609 mm) inclusive.

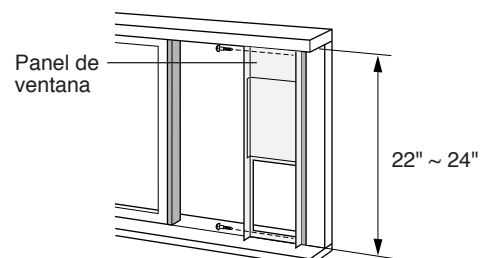
No es posible instalar el panel de ventana en ventanas con menos de 22" (559 mm) de alto, debido a que no podrá cerrar la cubierta del escape.



(1) Retire el panel de ajuste del panel de ventana y corte el panel de ventana para que quede con la misma altura de la ventana.

(2) Abra la hoja de la ventana y coloque el panel de ventana sobre el marco.

(3) Fije con 2 tornillos el panel de ventana al marco.



Si la altura interior de la ventana esta entre 24" (609 mm) y 36,8" (934 mm) inclusive.

- (1) Abra la hoja de la ventana y coloque el panel de ventana sobre el marco.
- (2) Deslice el panel de ajuste para fijar la altura del marco de la ventana.
- (3) Fije con 3 tornillos el panel de ventana al marco.

Si la altura interior de la ventana esta entre 36,8" (934 mm) y 48" (1219 mm) inclusive.

- (1) Fije el panel de extensión al panel de ajuste.
- (2) Abra la hoja de la ventana y coloque el panel de ventana sobre el marco.
- (3) Deslice los paneles de extensión y de ajuste para fijar la altura del marco de la ventana.
- (4) Fije con 4 tornillos el panel de ventana al marco.

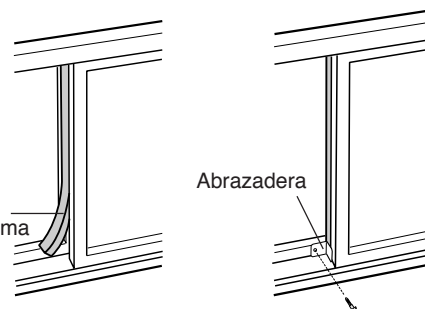
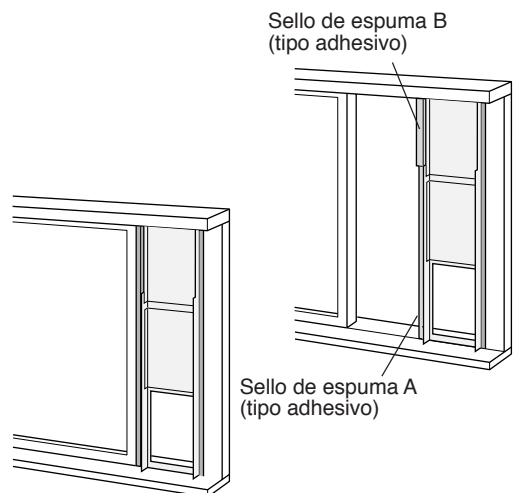
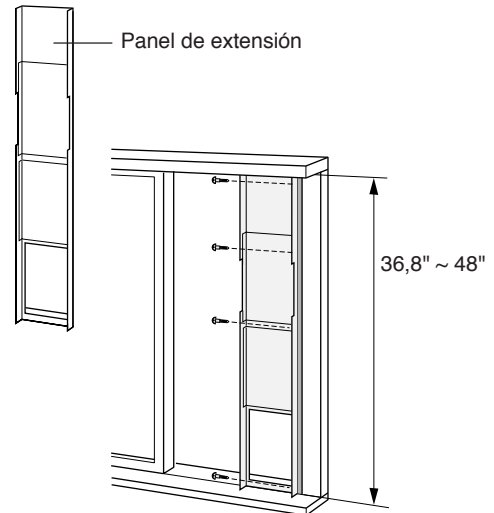
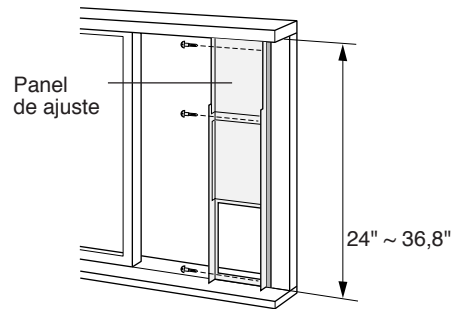
5 Corte los sellos de espuma (tipo adhesivo) A y B a la longitud correcta y fíjelos al panel de ventana.

Fije el sello de espuma A al panel de ventana y al panel de extensión, y fije el sello de espuma B al panel de ajuste.

6 Cierre la hoja de la ventana en forma segura contra el panel de ventana.

7 Corte el sello de espuma a la longitud apropiada y selle la apertura entre los lados de la hoja de ventana interior y exterior.

8 Fije una abrazadera con el tornillo.



INSTALACIÓN Y DESMONTAJE DE LA MANGUERA DE ESCAPE

La manguera de escape debe de instalarse o desmontarse de acuerdo con el modo de uso.

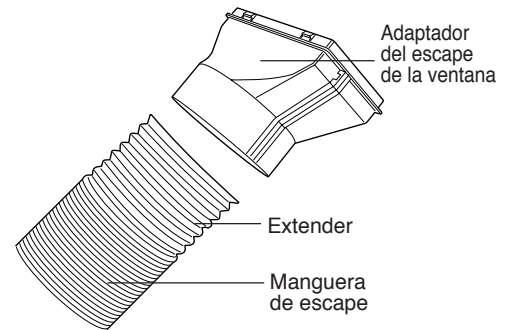
MODO	MANGUERA DE ESCAPE
ENFRIAR, VENTILADOR, VENTILACIÓN, DESHUMIDIFICACIÓN sin depósito	Instalar
DESHUMIDIFICACIÓN sin depósito (capacidad mínima 3 ¹ / ₂ galones)	Desmontar

Instalación de la manguera de escape

1 Fije el adaptador del escape de la ventana a la manguera de escape.

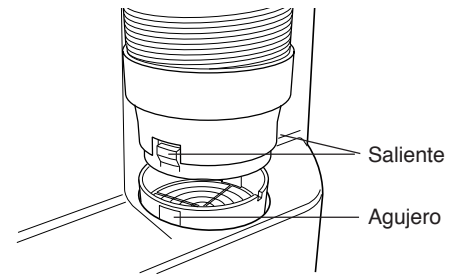
Extienda uno de los extremos de la manguera de escape e insertelo dentro del adaptador del escape de la ventana, y gírelo (tres veces aprox.) hasta que se detenga.

Después asegúrese de que estén firmemente introducidos.



2 Fije el adaptador de la manguera de escape a la unidad.

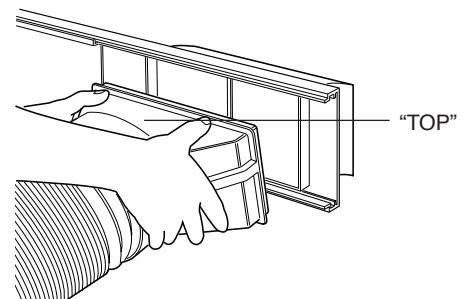
Introduzca los dos salientes del adaptador de la manguera de escape en los dos agujeros de la unidad firmemente.



3 Deslice y abra la cubierta del escape en el panel de ventana, y fije el adaptador del escape de la ventana.

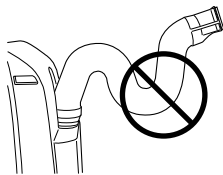
La superficie del adaptador del escape de la ventana marcado con "TOP" debe estar en la parte superior cuando este se instala en una ventana de guillotina doble.

La superficie del adaptador del escape de la ventana marcado con "TOP" debe estar sobre el lado del marco de la ventana cuando este se instala en una ventana de guillotina deslizante.

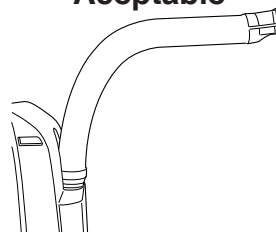


La manguera de escape debería de ser lo más corta posible para un eficaz funcionamiento; sin embargo, no se debe de retorcer o doblar.

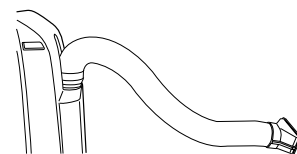
Inaceptable



Aceptable



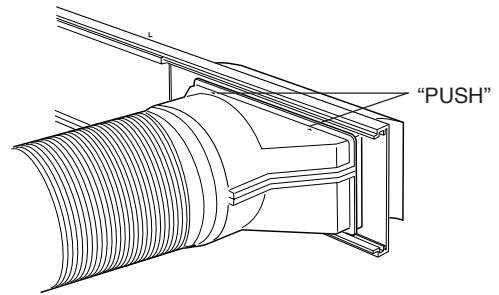
Aceptable



Desmontaje de la manguera de escape

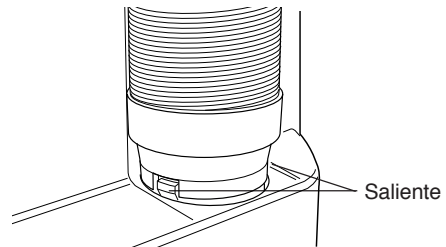
1 Desmonte el adaptador del escape de la ventana.

Al presionar las dos marcas "PUSH", tire y extraiga el adaptador del escape de la ventana, deslice y cierre la cubierta del escape en el panel de ventana.



2 Desmonte el adaptador de la manguera de escape de la unidad.

Levante y retire el adaptador de la manguera de escape de la unidad presionando los dos salientes.

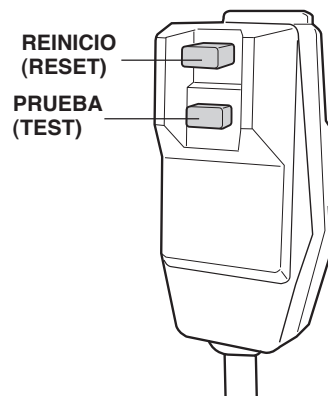


REVISIÓN DE LA CLAVIJA DE TOMA DE CORRIENTE

Este acondicionador de aire utiliza una clavija de toma de corriente con fusible.

Antes de iniciar el funcionamiento verifique siempre la clavija de toma de corriente.

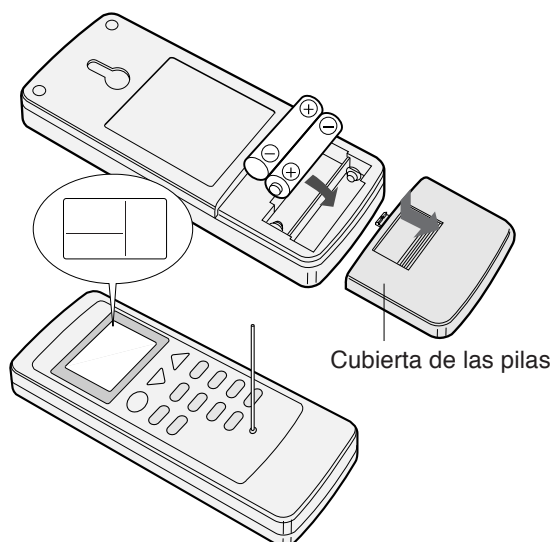
- 1 Presione el botón de reinicio (RESET).**
- 2 Inserte la clavija de toma de corriente en el enchufe de pared.**
- 3 Presione el botón de prueba (TEST).**
Escuchará un CLIC si el disyuntor está funcionando correctamente.
- 4 Presione el botón RESET hasta que escuche otro CLIC.**
El disyuntor se activará, se suministra energía y el acondicionador de aire estará listo para iniciar el funcionamiento.



No intente utilizar el acondicionador de aire si no es posible realizar el procedimiento anterior, debido a que esto constituye un malfuncionamiento. Desconecte la clavija de toma de corriente y solicite asistencia técnica.

COLOCACIÓN DE LAS PILAS Utilice dos pilas AAA (R03).

- 1 Retire la cubierta de las pilas en la parte trasera del control remoto.**
- 2 Introduzca las pilas en el compartimiento, asegúrese de que las polaridades \oplus y \ominus están correctamente alineadas.**
 - Cuando las pilas estén bien colocadas, aparecerán unas líneas en la pantalla de visualización.
- 3 Coloque de nuevo la cubierta de las pilas en su sitio.**
- 4 Presione el botón RESET utilizando un instrumento puntiagudo y fino.**



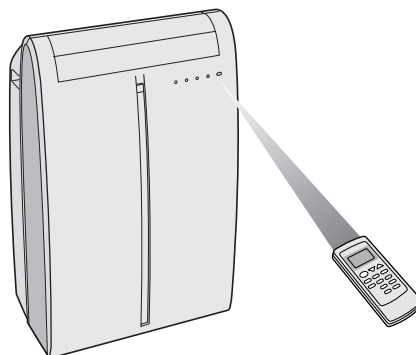
NOTAS:

- Las pilas deberían de durar, bajo uso normal, aproximadamente un año.
- Al sustituir las pilas, siempre cambie ambas pilas al mismo tiempo y asegúrese de que son del mismo tipo.
- Si el control remoto no funciona de forma normal después de sustituir las pilas, presione el botón RESET utilizando un instrumento puntiagudo y fino.
- Cuando no vaya a usar el aparato durante un largo tiempo, saque las pilas del control remoto.

FORMA DE USAR EL CONTROL REMOTO

Apunte el control remoto hacia la ventana receptora de señal de la unidad y presione el botón deseado. Cuando la unidad reciba la señal, producirá un sonido audible.

- Asegúrese de que nada, como por ejemplo cortinas, bloquee la ventana receptora de señal.
- El control remoto funciona hasta a 23 pies (7 metros) de distancia.

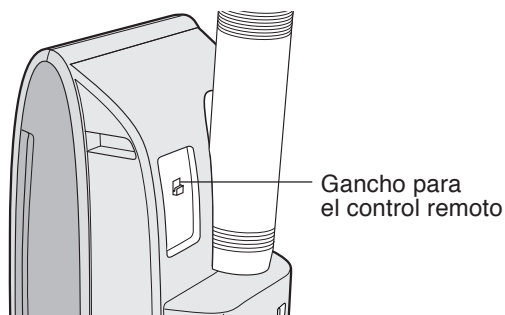


PRECAUCIÓN

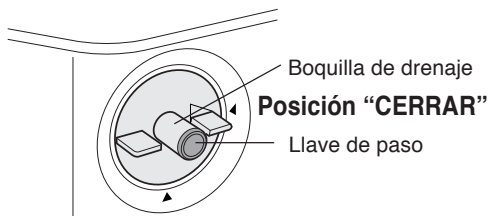
- No exponga la ventana receptora de señal a la luz solar directa. Esto puede afectar adversamente a su funcionamiento. Si fuera necesario, cierre las cortinas para bloquear la luz solar.
- El uso de una lámpara fluorescente en la misma habitación puede interferir con la transmisión de la señal.
- La unidad puede ser afectada por las señales emitidas por otros mandos a distancia para televisores, videograbadoras u otros equipos usados en la misma habitación.
- No deje el control remoto expuesto a la luz solar directa ni cerca de un radiador. Proteja el control remoto de la humedad y los golpes, para evitar que se decolore o se averíe.

Para evitar que el control remoto se extravíe, engánchelo a la unidad cuando no se utilice.

Cuando este enganchado, para desengancharlo, levántelo ligeramente y sáquelo.



MODO ENFRIAR



Instale la manguera de escape (vea la página 14), gire la boquilla de drenaje a la posición CERRAR y compruebe que la boquilla de drenaje está cubierta con la llave de paso.

1 Presione el botón MODE para seleccionar el modo ENFRIAR.

ENFRIAR DESHUMIDIFICACIÓN VENTILADOR VENTILACIÓN

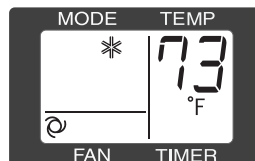
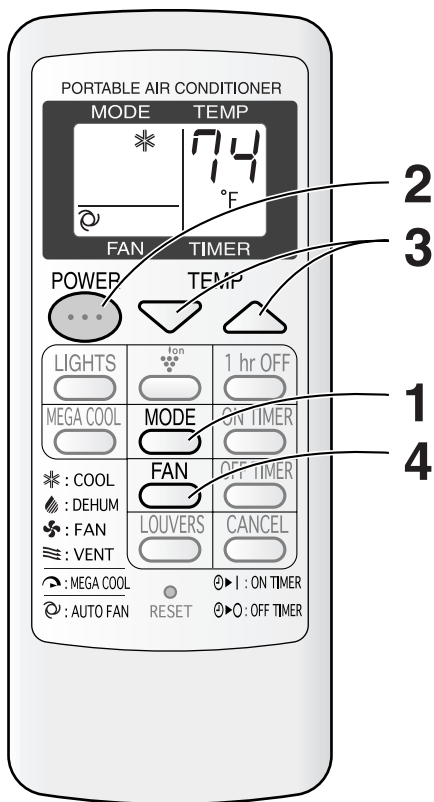


2 Presione el botón POWER para iniciar el funcionamiento.

- La lámpara roja OPERATION de la unidad se iluminará.

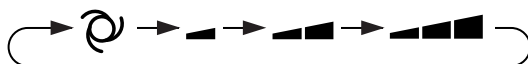
3 Presione el botón TEMP para ajustar la temperatura deseada.

- La temperatura puede ajustarse dentro del margen de 64 °F a 86°F.



4 Presione el botón FAN para ajustar la velocidad del ventilador deseada.

AUTOMÁTICA SILENCIOSA BAJA ALTA



DESACTIVACIÓN

Presione nuevamente el botón POWER.

- La lámpara roja OPERATION en la unidad se apagará.

MODO DESHUMIDIFICACIÓN

En este modo, el acondicionador de aire deshumidifica la habitación.

Deshumidificación con depósito

1 Desmonte la manguera de escape (vea la página 15)

2 Gire la boquilla de drenaje a la posición **ABRIR**.

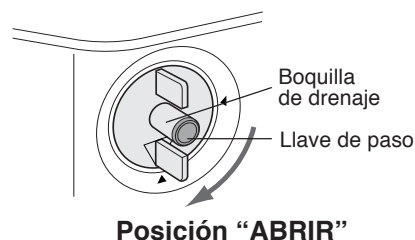
3 Saque la llave de paso de la boquilla de drenaje.

- Cuando se saque la llave de paso, puede que se derrame una pequeña cantidad de agua de la boquilla de drenaje.
- Siempre llevar a cabo este procedimiento con la unidad desactivada. Brotará agua de drenaje si se intenta durante el funcionamiento.

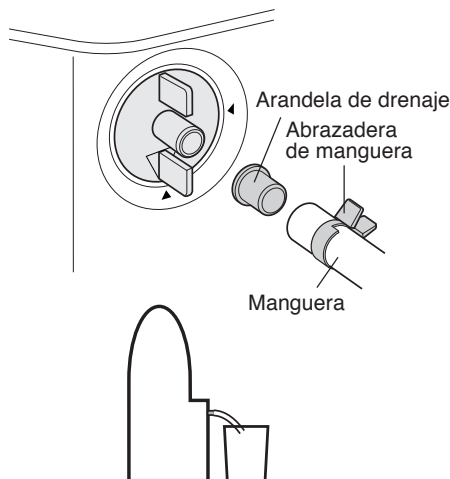
4 Inserte la abrazadera en una manguera estándar de las disponibles en el comercio (diámetro interior de 5/8", diámetro exterior 7/8") y asegure la arandela de drenaje a la manguera.

5 Coloque la manguera en la boquilla de drenaje y fíjela con una abrazadera de manguera.

- Inserte la manguera en forma segura dentro de un depósito con una capacidad mínima de 3¹/₂ galones. Asegúrese de controlar el nivel del agua en el depósito y de vaciarlo cuando sea necesario. No utilice la función de deshumidificación durante más de 8 horas continuas. Asegúrese de vaciar el depósito de agua cada vez que se inicie el modo de deshumidificación. En caso de no vaciar a tiempo el depósito de agua, podría ocasionar el desbordamiento de este y por lo tanto daños a los materiales subyacentes.
- Coloque la manguera inclinada hacia abajo para que el drenaje sea más fácil. Además, no doble la manguera en ningún punto ni deje que el extremo se sumerja en agua.

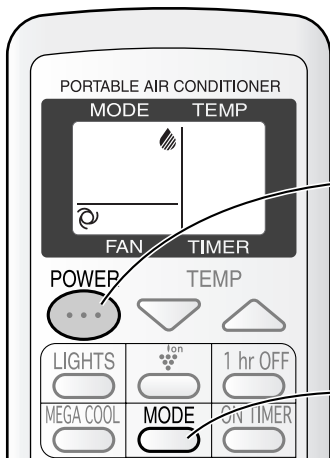


Posición "ABRIR"



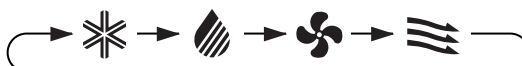
Deshumidificación sin depósito

Si no desea drenar el agua, instale una manguera de escape (vea la página 14), gire la boquilla de drenaje a la posición CERRAR y compruebe que la boquilla de drenaje está cubierta con la llave de paso. En esta operación, es posible que el depósito de agua del interior de la unidad esté lleno, está dejará de funcionar y luego las lámparas TIMER, OPERATION y MEGA COOL parpadearán, dependiendo de la condición de la habitación. En este caso, drene el agua de la unidad (vea la página 27).



1 Presione el botón **MODE** para seleccionar el modo **DESHUMIDIFICACIÓN**.

ENFRIAR DESHUMIDIFICACIÓN VENTILADOR VENTILACIÓN



2 Presione el botón **POWER** para iniciar el funcionamiento.

- La lámpara roja OPERATION de la unidad se iluminará.
- No se puede ajustar la temperatura.
- La velocidad del ventilador está preajustada a AUTOMÁTICA y no se puede cambiar.

DESACTIVACIÓN

Presione nuevamente el botón **POWER**.

- La lámpara roja OPERATION en la unidad se apagará.

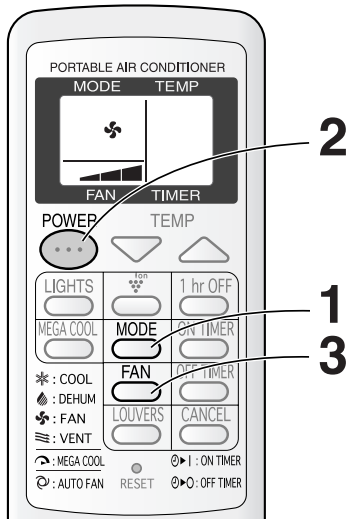
PRECAUCIÓN

Cuando realice la operación de deshumidificación con depósito, la unidad genera calor durante el modo de deshumidificación y la temperatura de la habitación aumentará. Realice la deshumidificación sin depósito si no desea que la temperatura de la habitación aumente. Esto ayudará a reducir ligeramente la temperatura de la habitación, pero el rendimiento de la deshumidificación será menos eficaz que cuando se realiza la deshumidificación con depósito.

MODO VENTILADOR

En este modo, el acondicionador de aire simplemente hace que el aire circule sin hacer que se enfríe.

Instale la manguera de escape (vea la página 14), gire la boquilla de drenaje a la posición CERRAR y compruebe que la boquilla de drenaje está cubierta con la llave de paso.



1 Presione el botón MODE para seleccionar el modo VENTILADOR.

ENFRIAR DESHUMIDIFICACIÓN VENTILADOR VENTILACIÓN



2 Presione el botón POWER para iniciar el funcionamiento.

- La lámpara roja OPERATION de la unidad se iluminará.
- No se puede ajustar la temperatura.

3 Presione el botón FAN para ajustar la velocidad del ventilador deseada.

SILENCIOSA BAJA ALTA



DESACTIVACIÓN

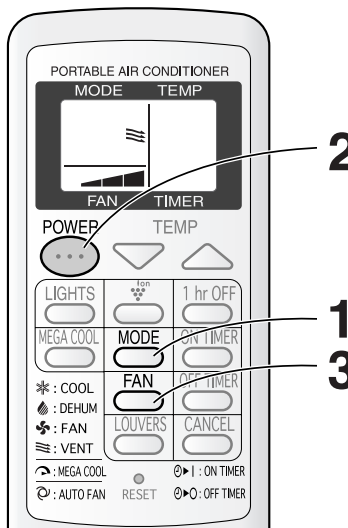
Presione nuevamente el botón POWER.

- La lámpara roja OPERATION en la unidad se apagará.

MODO VENTILACIÓN

En este modo, el acondicionador de aire ventila el aire hacia el exterior.

Instale la manguera de escape (vea la página 14), gire la boquilla de drenaje a la posición CERRAR y compruebe que la boquilla de drenaje está cubierta con la llave de paso.



1 Presione el botón MODE para seleccionar el modo VENTILACIÓN.

ENFRIAR DESHUMIDIFICACIÓN VENTILADOR VENTILACIÓN



2 Presione el botón POWER para iniciar el funcionamiento.

- La lámpara roja OPERATION de la unidad se iluminará.
- No se puede ajustar la temperatura.

3 Presione el botón FAN para ajustar la velocidad del ventilador deseada.

- Aunque los deflectores estén cerrados y no salga aire hacia la habitación, cambia la velocidad del ventilador de ventilación externa.

SILENCIOSA BAJA ALTA



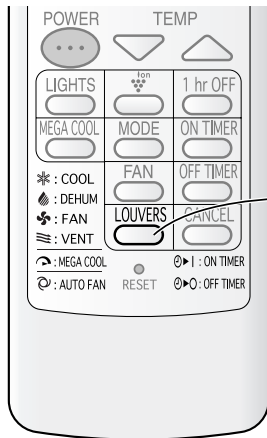
DESACTIVACIÓN

Presione nuevamente el botón POWER.

- La lámpara roja OPERATION en la unidad se apagará.

CAMBIO DE LA DIRECCIÓN DE LA CORRIENTE DE AIRE

DIRECCIÓN DE LA CORRIENTE DE AIRE HACIA ARRIBA/ABAJO



1 Presione el botón **LOUVERS** en el control remoto.

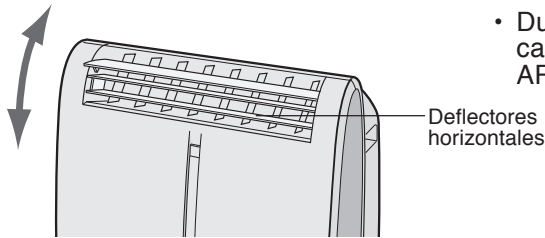
- Los deflectores horizontales girarán continuamente.

2 Presione nuevamente el botón **LOUVERS** cuando los deflectores horizontales se encuentren en la posición deseada.

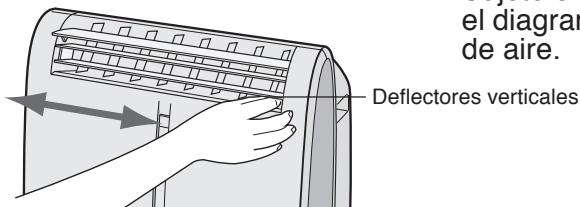
- Los deflectores horizontales dejarán de moverse.
- Se memorizará la posición establecida y se establecerá la misma posición automáticamente la siguiente vez que se ponga en marcha.

NOTA

- Durante el modo **VENTILACIÓN**, no se puede cambiar la dirección de la corriente de aire hacia **ARRIBA/ABAJO**.



DIRECCIÓN DE LA CORRIENTE DE AIRE HACIA LA IZQUIERDA/DERECHA



Sujete el deflector vertical como se muestra en el diagrama y ajuste la dirección de la corriente de aire.

PRECAUCIÓN

No trate nunca de graduar manualmente los deflectores horizontales.

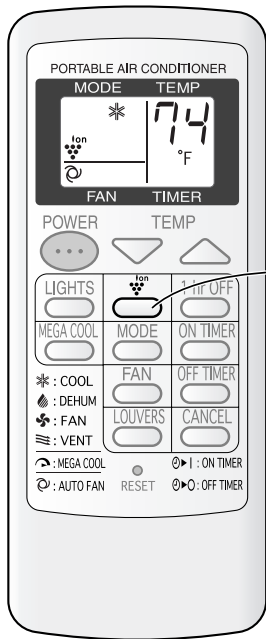
- Si se ajustan los deflectores horizontales de forma manual, puede suceder que la unidad falle posteriormente al querer manejarla con el control remoto.
- Si los deflectores horizontales se han regulado en la más baja posición en el modo **ENFRIAR** o **DESHUMIDIFICACIÓN** por un periodo largo de tiempo, puede formarse condensación.

No realice el ajuste de los deflectores verticales demasiado hacia la izquierda o derecha en el modo **ENFRIAR** teniendo ajustada la velocidad del ventilador a "**SILENCIOSA** (■)" durante un prolongado período de tiempo.

Puede que se forme condensación en los deflectores.

FUNCIONAMIENTO DEL PLASMACLUSTER

El generador de iones Plasmacluster que se encuentra dentro del acondicionador de aire, liberará en la habitación iones plasmacluster positivos y negativos. Se liberan en el aire el mismo número de iones positivos y negativos aproximadamente.



1 Presione el botón PLASMACLUSTER durante el funcionamiento.

- En el control remoto se visualiza la indicación “^{Ion}”.
- La lámpara azul PLASMACLUSTER de la unidad se iluminará.

CANCELAR

1 Presione nuevamente el botón PLASMACLUSTER.

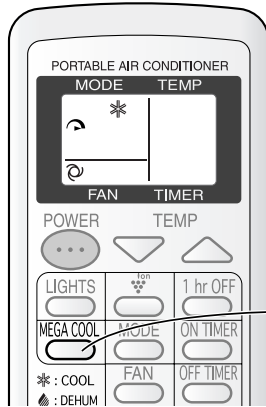
- La lámpara PLASMACLUSTER de la unidad se apagará.

NOTAS:

- El uso de la función PLASMACLUSTER se memorizará y se activará la siguiente vez que active el acondicionador de aire.
- Para apagar la lámpara PLASMACLUSTER, presione el botón LIGHTS.
- No se puede ajustar la función PLASMACLUSTER durante el modo VENTILACIÓN.

FUNCIONAMIENTO MEGA COOL

En esta función, el ventilador del acondicionador de aire funciona a una velocidad muy alta con una temperatura ajustada a 59°F.



1 Presione el botón MEGA COOL durante el modo de enfriamiento.

- En el control remoto se visualiza la indicación “”.
- Desaparece la indicación de temperatura.
- La lámpara verde MEGA COOL de la unidad se iluminará.

CANCELAR

Presione nuevamente el botón MEGA COOL.

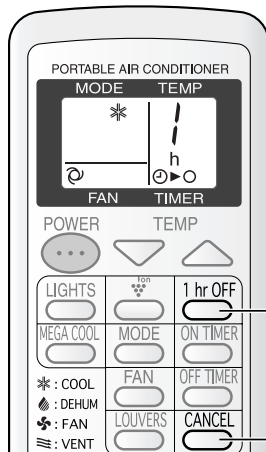
- El funcionamiento en MEGA COOL se cancela también cuando se cambia el modo, o cuando se apaga la unidad.
- La lámpara verde MEGA COOL de la unidad se apagará.

NOTAS:

- No es posible ajustar la temperatura o la velocidad del ventilador durante el funcionamiento en MEGA COOL.
- El ventilador vuelve al ajuste de velocidad ALTA después de que la unidad ha estado en funcionamiento en el modo MEGA COOL durante 30 minutos.
- La velocidad extra alta del ventilador puede ralentizarse automáticamente para proteger la unidad.

FUNCIÓN DE DESACTIVACIÓN AUTOMÁTICA EN UNA HORA

Al usar la función de DESACTIVACIÓN AUTOMÁTICA EN UNA HORA, la unidad se apagará automáticamente después de transcurrida una hora.



1 Presione el botón 1 hr OFF.

- El control remoto visualiza “ h ”.
- En la unidad la lámpara anaranjada TIMER se iluminará.
- La unidad se detendrá después de una hora.

CANCELAR

Presione el botón CANCEL.

- La lámpara anaranjada TIMER de la unidad se apagará.

Alternativamente, apague la unidad al presionar el botón POWER.

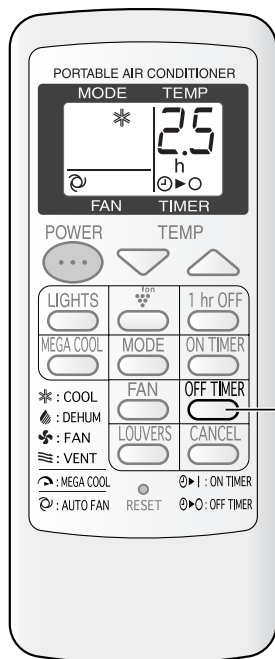
- La lámpara roja OPERATION y la lámpara anaranjada TIMER se apagarán.

NOTAS:

- La función de DESACTIVACIÓN AUTOMÁTICA EN UNA HORA tiene prioridad sobre las funciones de ACTIVACIÓN DEL TEMPORIZADOR y DESACTIVACIÓN DEL TEMPORIZADOR.
- Si se ajusta el FUNCIÓN DE DESACTIVACIÓN AUTOMÁTICA EN UNA HORA mientras la unidad no está funcionando, ésta funcionará durante una hora en la condición antes ajustada.
- Si desea que la unidad funcione una hora antes de que se active la función de DESACTIVACIÓN AUTOMÁTICA EN UNA HORA, presione nuevamente el botón 1 hr OFF mientras esté funcionando la unidad.

DESACTIVACIÓN DEL TEMPORIZADOR

La unidad se desactivará automáticamente según sus ajustes. La duración del temporizador se puede ajustar a partir de un mínimo de media hora (30 minutos) a un máximo de 12 horas. Puede ajustar en incrementos de media hora (30 minutos) hasta 9,5 horas y desde 10 a 12 horas, en incrementos de 1 hora.

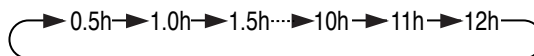


Pantalla de visualización que se muestra cuando ajuste la unidad para desactivar 2,5 horas más tarde.

Apunte el control remoto hacia la célula del receptor de señal en la unidad.

1 Presione el botón OFF TIMER y ajuste la hora como desee.

- El ajuste del tiempo cambiará a medida que presione la tecla de la siguiente forma.



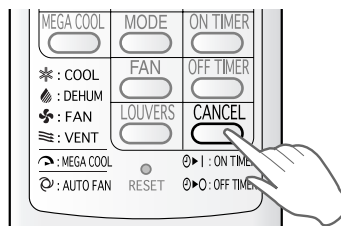
Mantenga el botón pulsado para pasar rápidamente por los ajustes.

- En la unidad la lámpara anaranjada TIMER se iluminará.
- Cuando la unidad recibe la señal emite un sonido.
- El ajuste del tiempo contará hacia atrás para mostrar el tiempo restante.

PARA CANCELAR EL TEMPORIZADOR

Presione el botón CANCEL.

- La lámpara anaranjada TIMER de la unidad se apagará.

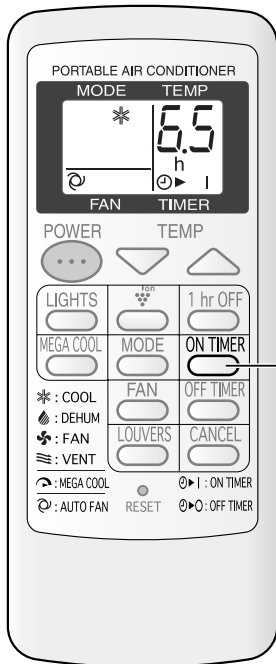


OBSERVACIONES SOBRE EL AJUSTE DEL TEMPORIZADOR Y EL FUNCIONAMIENTO

- Se memorizará el último ajuste de hora y aparecerá en la pantalla de visualización del control remoto la siguiente vez que ajuste las funciones de ACTIVACIÓN DEL TEMPORIZADOR o DESACTIVACIÓN DEL TEMPORIZADOR.
- No se pueden ajustar al mismo tiempo la ACTIVACIÓN DEL TEMPORIZADOR y DESACTIVACIÓN DEL TEMPORIZADOR. Sólo será válido el ajuste del TEMPORIZADOR más reciente.
- Cuando está ajustada la función de DESACTIVACIÓN AUTOMÁTICA EN UNA HORA, no se encuentran disponibles los ajustes de ACTIVACIÓN DEL TEMPORIZADOR y DESACTIVACIÓN DEL TEMPORIZADOR.
- Si se ajusta la función de DESACTIVACIÓN AUTOMÁTICA EN UNA HORA cuando esté activada la función de ACTIVACIÓN DEL TEMPORIZADOR o DESACTIVACIÓN DEL TEMPORIZADOR, dichas funciones de anularán.
- Si ocurre un fallo de energía cuando esté ajustada DESACTIVACIÓN DEL TEMPORIZADOR o la ACTIVACIÓN DEL TEMPORIZADOR, se anulará el ajuste del TEMPORIZADOR y no se recuperará incluso después de que se restablezca la energía.

ACTIVACIÓN DEL TEMPORIZADOR

La unidad se activará automáticamente según sus ajustes.
 La duración del temporizador se puede ajustar a partir de un mínimo de media hora (30 minutos) a un máximo de 12 horas.
 Puede ajustar en incrementos de media hora (30 minutos) hasta 9,5 horas y desde 10 a 12 horas, en incrementos de 1 hora.

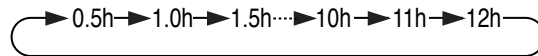


Pantalla de visualización que se muestra cuando ajuste la unidad para que se active 6,5 horas más tarde.

Apunte el control remoto hacia la célula del receptor de señal en la unidad.

1 Presione el botón ON TIMER.

- El ajuste del tiempo cambiará a medida que presione la tecla de la siguiente forma.



Mantenga el botón pulsado para pasar rápidamente por los ajustes.

- En la unidad la lámpara anaranjada TIMER se iluminará.
- Cuando la unidad recibe la señal emite un sonido.
- El ajuste del tiempo contará hacia atrás para mostrar el tiempo restante.

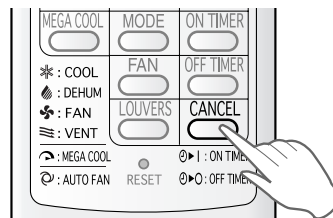
Seleccione el modo, temperatura, ajuste de la velocidad del ventilador y la función PLASMA-CLUSTER que desee.

- Cuando se ajusta la temperatura teniendo ACTIVADO EL TEMPORIZADOR, la temperatura aparecerá en la pantalla de visualización durante 5 segundos y luego volverá a la visualización de la hora.
- Si no cambia el ajuste, la unidad funcionará utilizando el ajuste más reciente.

PARA CANCELAR EL TEMPORIZADOR

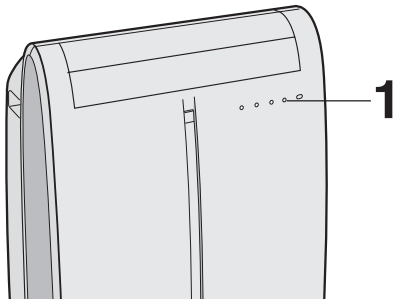
Presione el botón CANCEL.

- La lámpara anaranjada TIMER de la unidad se apagará.



FUNCIONAMIENTO DE LA UNIDAD PRINCIPAL

Use este modo si no dispone de un control remoto.



1 Presione el botón POWER en la unidad.

- La lámpara roja OPERATION de la unidad se iluminará.
- Si no se ha desconectado la unidad desde la última vez que estuvo en funcionamiento, la operación se reanuda con los ajustes utilizados por última vez.
- Si se ha desconectado la unidad desde la última vez que estuvo en funcionamiento, la operación se reanuda en el modo de enfriamiento, ajustado a 68°F. La velocidad del ventilador se ajusta a AUTOMÁTICA.

DESACTIVACIÓN

Presione nuevamente el botón POWER.

- La lámpara roja OPERATION en la unidad se apagará.

NOTAS:

- En el inicio del funcionamiento de la UNIDAD PRINCIPAL, la bomba de drenaje en el interior de la unidad funciona durante un minuto aproximadamente, lo cual puede producir un sonido de gorgoteo.

DRENAJE

Prepare todo lo necesario para el drenaje y drene el agua que se encuentra dentro de la unidad en los siguientes casos.

Si la unidad deja de funcionar y las lámparas **TIMER**, **OPERATION** y **MEGA COOL** parpadean. (Esto indica que el depósito del agua dentro de la unidad está lleno).

1 Asegúrese de desactivar la unidad.

2 Gire la boquilla de drenaje a la posición **ABRIR**.

3 Saque la llave de paso de la boquilla de drenaje.

- Cuando se saque la llave de paso, puede que se derrame una pequeña cantidad de agua de la boquilla de drenaje.

4 Inserte la abrazadera de manguera en una manguera estándar de las disponibles en el comercio (diámetro interior 5/8", diámetro exterior 7/8") y asegure la arandela de drenaje a la manguera.

5 Coloque la manguera en la boquilla de drenaje y fíjela con una abrazadera de manguera.

- Prepare todo lo necesario para el drenaje, puesto que el agua de drenaje saldrá a través de la manguera durante el funcionamiento.

6 Presione dos veces el botón **POWER** en la unidad.

- El agua saldrá a través de la manguera de drenaje. La cantidad de agua máxima que se puede drenar es de aproximadamente 4¹/₅ litros.
- Las lámparas temporizador, funcionamiento y superenfriamiento parpadearán.

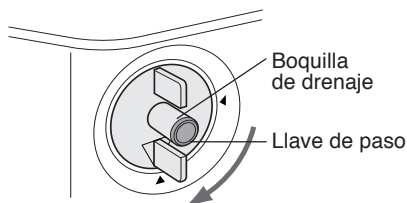
7 Cuando el agua drenada deja de salir por la manguera, apague la unidad presionando el botón **POWER**.

- Esto tardará un minuto aproximadamente.

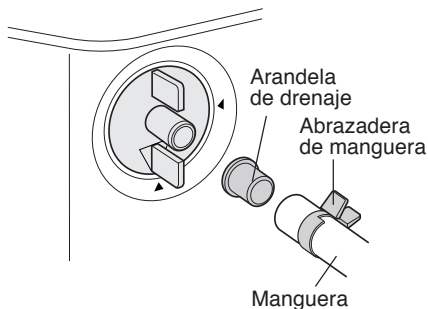
8 Retire la manguera de la boquilla de drenaje y vuelva a colocar la llave de paso.

- Guarde la abrazadera de manguera y la arandela de drenaje en caso de que vuelva a necesitarlas.

9 Gire la boquilla de drenaje a la posición **CERRAR**.



Posición "ABRIR"



Cada vez que mueva la unidad (para evitar que se derrame el agua que se encuentra dentro de la unidad).

Cuando la unidad no se utilice durante un largo tiempo.

1 Lleve a cabo los anteriores procedimientos del 1 al 5.

2 Presione el botón **POWER** en la unidad.

- El agua saldrá a través de la manguera de drenaje. La cantidad de agua máxima que se puede drenar es de aproximadamente 4¹/₅ litros.
- La lámpara de funcionamiento se iluminará.

3 Cuando el agua drenada deja de salir por la manguera, apague la unidad presionando el botón **POWER**.

- Esto tardará un minuto aproximadamente.

4 Retire la manguera de la boquilla de drenaje y vuelva a colocar la llave de paso.

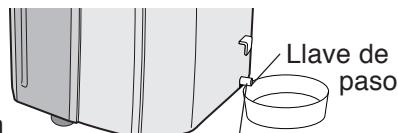
- Guarde la abrazadera de manguera y la arandela de drenaje en caso de que vuelva a necesitarlas.

5 Gire la boquilla de drenaje a la posición **CERRAR**.

6 Retire la llave de paso de la boquilla del tubo de drenaje y drene completamente el agua que se encuentra dentro de la unidad.

- Antes de drenar, prepare siempre un recipiente para recoger el agua. La cantidad de agua máxima que se puede drenar es de aproximadamente 2¹/₅ litros.

7 Vuelva a colocar la llave de paso en la boquilla del tubo de drenaje.



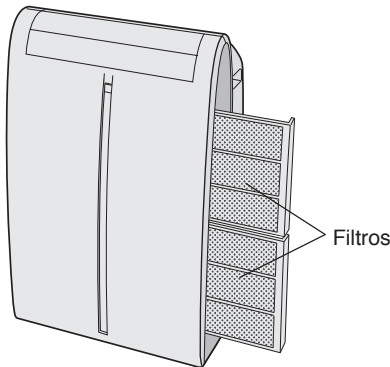
Boquilla del tubo de drenaje

MANTENIMIENTO

Asegúrese de desconectar la energía del enchufe de pared antes de realizar cualquier mantenimiento.

LIMPIEZA DE LOS FILTROS

Si el filtro está obstruido con polvo, se reducirá la corriente de aire, dando como resultado una baja capacidad de enfriamiento. El filtro debería de limpiarse cada dos semanas.



1 SAQUE LOS FILTROS

- Suavemente tire del agarradero hacia la derecha y deslice el filtro fuera de la unidad.

2 LIMPIEZA DE LOS FILTROS

- Use un aspirador para quitar el polvo. Si los filtros están muy sucios, lávelos con detergente y aclárelos cuidadosamente con agua limpia. Seque los filtros a la sombra antes de volverlos a instalar.

3 REINSTALACIÓN DE LOS FILTROS

- Sujete el agarradero y suavemente empuje el filtro de vuelta a su sitio. Nunca haga funcionar a la unidad sin el filtro. El hacerlo podría causar serios daños a la unidad.

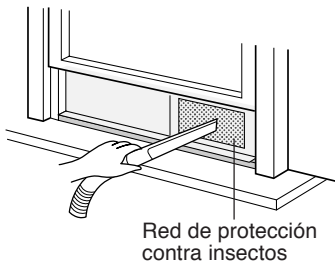
LIMPIEZA DE LA UNIDAD Y DEL CONTROL REMOTO

Límpielos con un paño suave y seco o con un paño húmedo con jabón neutro. Limpie con cuidado cualquier residuo con un paño húmedo y luego seque por completo.

Evite salpicar la unidad con agua. El agua podría dañar de forma muy peligrosa el aislamiento eléctrico.

Nunca utilice sustancias químicas agresivas o limpiadores abrasivos sobre ninguna de las partes de la unidad. Para evitar dañar la unidad, no utilice agua caliente para la limpieza (120°F/ 50°C o más caliente).

LIMPIEZA DE LA RED DE PROTECCIÓN CONTRA INSECTOS



La capacidad de enfriamiento podría verse reducida o incluso detenerse por completo si la red de protección contra insectos queda obstruida con polvo.

Desmunte periódicamente el adaptador del escape de la ventana del panel de ventana y limpie la red de protección contra insectos con un aspirador o dispositivo similar.

MANTENIMIENTO DESPUÉS DE UTILIZAR EL ACONDICIONADOR DE AIRE

- 1 Realice el drenaje para drenar el agua que se encuentra dentro de la unidad. (Vea la página 27 "Cuando la unidad no se utilice durante un largo tiempo".)
- 2 Ponga en funcionamiento la unidad en el modo VENTILADOR o VENTILACIÓN durante aproximadamente medio día, con el fin de secar completamente el interior de la unidad.
- 3 Limpie los filtros, luego reinstálelos.

Si la unidad parece estar funcionando mal, verifique los siguientes puntos antes de llamar al servicio técnico.

EL ACONDICIONADOR DE AIRE NO FUNCIONA

- ¿Está la unidad enchufada o está la clavija holgada?
- ¿Se ha quemado el fusible o está el cortocircuito desconectado?
- ¿Ha reiniciado la unidad en el plazo de 3 minutos después de un fallo de energía?
Si la energía estuvo desactivada durante menos de 3 minutos cuando reinició el acondicionador de aire, un dispositivo de protección puede hacer que se cierre el compresor, evitando el enfriamiento durante aproximadamente 5 minutos.
- ¿Están parpadeando las lámparas OPERATION, TIMER y MEGA COOL?
El depósito de agua dentro de la unidad está lleno. Tiene que drenarse. (vea la página 27)
- Revise la clavija de toma de corriente. (Vea la página 16)

EL ACONDICIONADOR DE AIRE NO ENFRÍA BIEN

- ¿Está ajustado al modo VENTILADOR, DESHUMIDIFICACIÓN o VENTILACIÓN?
No se lleva a cabo el enfriamiento en estos modelos. Cambie el ajuste de MODO.
- ¿Están los filtros obstruidos con polvo?
Limpie y reemplace los filtros.
- ¿Está el serpentín de enfriamiento congelado?
No saldrá aire si el serpentín de enfriamiento está congelado.
Haga funcionar el acondicionador de aire en el modo VENTILADOR con la velocidad del ventilador ajustado a "ALTA" hasta que desaparezca todo el hielo.
- ¿Está la temperatura bien ajustada?
- ¿Está la ventana expuesta a la luz solar directa?
Cierre las cortinas o las persianas para minimizar el aumento de temperatura en la habitación debido a la energía solar.
- ¿Es la manguera de escape demasiado larga?
Para un funcionamiento eficaz, haga que la manguera sea lo más corta posible. La manguera de escape no se debe de retorcer o doblar.

SONIDOS

- Durante los 2 o 3 primeros minutos de funcionamiento puede parecer que la unidad hace mucho ruido. Este es el ruido del compresor arrancando y es perfectamente normal.
- Puede oírse un suave sonido de silbido inmediatamente después de activar o desactivar la unidad y también durante el funcionamiento. Este es el sonido del refrigerante fluyendo en el interior de la unidad.
- Se emite un sonido de zumbido cuando la unidad está generando iones Plasmacluster.
- Este acondicionador de aire evapora el agua condensada durante la función de enfriamiento dentro de la unidad a través del orificio de salida de aire de escape. Aunque se oiga un sonido de agua que fluye, esto es normal.
- Puede que se oiga un sonido de gorgoteo audible durante aproximadamente un minuto cuando inicie el modo AUXILIAR. Este es el sonido de la bomba de drenaje en funcionamiento dentro de la unidad.
- **Puede que se oiga un sonido de gorgoteo audible cuando la unidad se encuentre sobre una superficie ligeramente inclinada. Coloque la unidad sobre una superficie a nivel.**

EL TEMPORIZADOR NO FUNCIONA BIEN

- Si ocurre un fallo de energía cuando esté ajustado el temporizador, se anulará el ajuste del temporizador y no se recuperará incluso después de que se restablezca la energía. Esto es normal para esta unidad.

LA UNIDAD NO REACCIONA ANTE LA SEÑAL DEL CONTROL REMOTO

- Controle las pilas en el control remoto. Reemplace si es necesario.
- Trate de enviar la señal de nuevo apuntando el control remoto hacia la ventana receptora de señal de la unidad.
- Verifique si las pilas del control remoto están instaladas con las polaridades alineadas en forma adecuada.

EL AIRE EMITIDO TIENE OLOR

- El generador de iones Plasmacluster emite trazas pequeñas de ozono, las cuales pueden producir cierto olor. Estas emisiones de ozono están por debajo de los límites de seguridad determinados por la FDA.

SHARP®

SHARP ELECTRONICS CORPORATION

Sharp Plaza, Mahwah,
New Jersey 07430-2135 U.S.A

SHARP CORPORATION
Osaka, Japan

SHARP®

SHARP ELECTRONICS OF CANADA LTD.

335 Britannia Road, East Mississauga,
Ontario L4Z 1W9 Canada

SHARP CORPORATION
Osaka, Japan

Printed in Thailand
Imprimé en Thaïlande
Impreso en Tailandia

Free Manuals Download Website

<http://myh66.com>

<http://usermanuals.us>

<http://www.somanuals.com>

<http://www.4manuals.cc>

<http://www.manual-lib.com>

<http://www.404manual.com>

<http://www.luxmanual.com>

<http://aubethermostatmanual.com>

Golf course search by state

<http://golfingnear.com>

Email search by domain

<http://emailbydomain.com>

Auto manuals search

<http://auto.somanuals.com>

TV manuals search

<http://tv.somanuals.com>