

FARBERWARE®

SPECIAL SELECT



USE & CARE INSTRUCTIONS

10-SPEED HAND MIXER FSHM100

Download from www.Somanuals.com. All Manuals Search And Download.

IMPORTANT SAFEGUARDS

When using electrical appliances, basic safety precautions should always be followed, including the following:

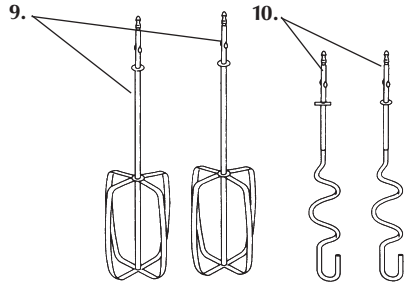
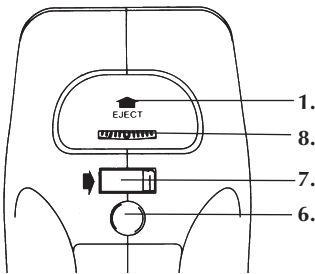
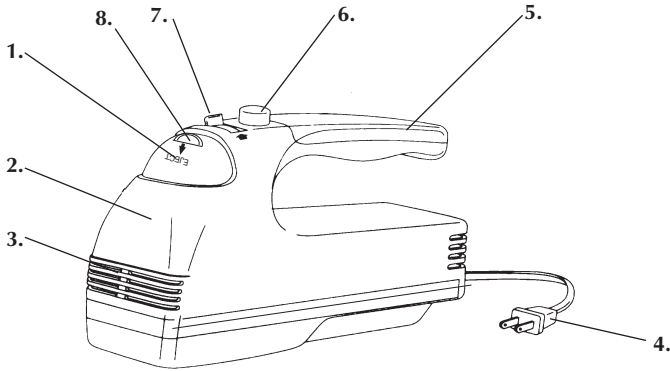
1. Read all instructions.
2. To protect against risk of electrical shock, do not put cord, plugs, or appliance in water or other liquid.
3. Close supervision is necessary when any appliance is used by or near children.
4. Unplug from outlet when not in use, before putting on or taking off parts, and before cleaning.
5. Avoid contacting moving parts.
6. Do not operate any appliance with a damaged cord or plug, or after the appliance malfunctions, or is dropped or damaged in any manner. Contact Consumer Service.
7. The use of attachments not recommended or sold by the manufacturer may cause fire, electric shock or injury.
8. Do not use outdoors.
9. Do not let cord hang over edge of table or counter.
10. Do not let cord contact hot surface, including the stove.
11. Keep hands, hair, clothing, as well as spatulas and other utensils away from Beaters and Dough Hooks during operation to reduce the risk of injury to persons, and/or damage to the Mixer.
12. Remove Beaters or Dough Hooks from Mixer before washing.

SAVE THESE INSTRUCTIONS

This product is for household use only.

GETTING TO KNOW YOUR **FARBERWARE®** FSHM100 10-SPEED HAND MIXER

PRODUCT MAY VARY SLIGHTLY FROM ILLUSTRATION



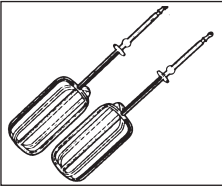
- 1. Beater Eject Button
- 2. Motor Housing
- 3. Air Vents
- 4. Polarized Plug
- 5. Handle

- 6. Turbo Boost Button
- 7. Speed Control Lever
- 8. LO/HI Speed Dial
- 9. Beaters (P/N 70503 - pair)
- 10. Dough Hooks (P/N 70505 - pair)

POLARIZED PLUG

This appliance has a **polarized plug** (one blade is wider than the other). To reduce the risk of electric shock, this plug is intended to fit into a polarized outlet only one way. If the plug does not fit fully in the outlet, reverse the plug. If it still does not fit, contact a qualified electrician. Do not attempt to modify the plug in any way.

BEATERS

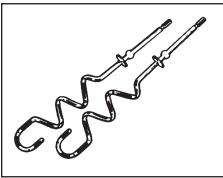


BEATERS

Designed for all-purpose mixing. Cut through thick or thin batters with ease.

(P/N 70503 - pair)

(P/N 70502 - single)



DOUGH HOOKS

Spiral Dough Hooks are designed to mix or knead heavier batters or bread dough. Hooks may also be used for gently mixing pastry dough.

(P/N 70504 - without Collar)

(P/N 70504C - with Collar)

(P/N 70505 - pair)

BEFORE USING YOUR 10-SPEED HAND MIXER

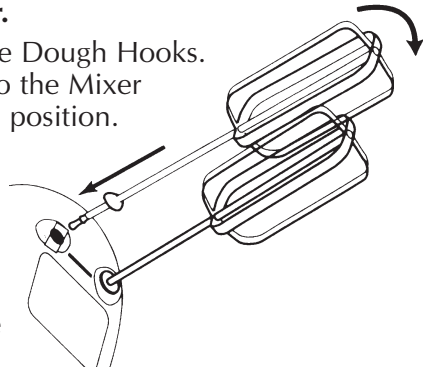
Carefully unpack Hand Mixer. Wash Beaters and Dough Hooks in warm, soapy water. Rinse well and dry thoroughly. Wipe Mixer with a soft, clean cloth or sponge. Never immerse your Hand Mixer in water or any other liquid.

ATTACHING BEATERS/DOUGH HOOKS

Before handling the Beaters/Dough Hooks, check to be sure the Mixer is unplugged from the electrical outlet and the Speed Control Lever is in the OFF position.

NOTE: One Dough Hook has a white plastic Collar on its Stem. You must insert this Dough Hook into the larger, rectangular hole in the Mixer.

1. Select either the Beaters or the Dough Hooks. Push the attachment Stem into the Mixer hole. Rotate until it locks into position.
2. Push Dough Hook with plastic Collar into the larger, rectangular hole.
3. After installing the Beaters or Dough Hooks, gently pull on each Stem to be sure they are secured properly.



CAUTION: Always unplug Mixer from outlet before installing or removing Attachments.

CAUTION: Use either both Beaters or both Dough Hooks. Do not attempt to use a Dough Hook with a Beater. This could damage the Mixer.

REMOVING BEATERS

Slide Speed Control Lever to the OFF position. Unplug appliance. Push down on the Beater Eject Button to eject Beaters.

INSTRUCTIONS FOR USE

1. Be sure to unplug the power cord when the Hand Mixer is not in use. Make sure the Speed Control Lever is in the OFF position.
2. Attach Beaters or Dough Hooks. (See ATTACHING BEATERS/DOUGH HOOKS.)
3. Plug the cord into a 120V AC electrical outlet.
4. Place Beaters directly into container holding ingredients to be mixed.
5. Turn LO/HI Dial to set the Mixer to operate LO or HI. Select the speed setting that matches your mixing task. (See "SPEED SETTINGS" for more information.) Mix ingredients to desired consistency. Press the Turbo Boost Button from any setting, to give the Mixer a short spurt of mixing action.
6. After you have finished mixing, turn the Speed Control Lever to OFF and unplug the appliance.
7. Raise the Mixer Head and press down on the Beater Eject Button to eject the Beaters or Dough Hooks.
8. Scrape excess batter off the Beaters using a rubber or plastic spatula. DO NOT strike Beaters or Dough Hooks on the rim of the bowl. This could damage the Attachments.

SPEED SETTINGS

Your Hand Mixer has 10 different speed settings. With the LO/HI Speed Dial turned to the LO position, every time you adjust the Speed Control Lever, you are accessing Speeds 1 - 5. With the LO/HI Speed Dial turned to the HI position, every time you adjust the Speed Control Lever, you are accessing Speeds 6 - 10.

PLEASE NOTE that the Turbo Boost feature can be used at ANY speed setting by depressing the Turbo Boost Button. Resume previously selected speed by releasing Turbo Boost Button.

NOTE: DO NOT use Turbo Boost feature for more than 2 minutes at a time as the Motor may overheat and damage the Mixer.

SPEED SETTINGS *(Continued)*

The chart below details each speed setting along with suggested functions and uses.

Speed	Function	Usage
LO		
1	Knead	Use to knead dough
2	Fold	Use to start mixing or for "LOW" mixing recipes
3	Stir	Use to stir liquids or mix with dry ingredients
4	Blend	Use to blend ingredients or for a stronger knead
5	Combine	Use to combine recipe ingredients
HI		
1	Cake Mix	Use for cake mixes for "MEDIUM" mixing recipes
2	Cream	Use to cream ingredients (i.e. sugar and butter)
3	Frostings	Use to prepare light, fluffy frostings and candies
4	Whip Cream	Use to whip cream or to create a light, fluffy texture
5	Egg Whites	Use to whip egg whites or for "HIGH" mixing recipes

USER MAINTENANCE INSTRUCTIONS

This appliance requires little maintenance. It contains no user serviceable parts. Do not try to repair it yourself. Refer it to a qualified appliance repair technician if servicing is needed.

TO CLEAN

CAUTION: NEVER IMMERSE MOTOR HOUSING IN WATER.

CAUTION: Always unplug Hand Mixer before removing attachments and before cleaning. Severe injury can result if Hand Mixer is accidentally turned on.

First, be sure unit is unplugged. Eject Beaters or Dough Hooks from unit and wash them in dishwashing detergent and warm water. The Beaters and Dough Hooks are dishwasher safe. Wipe Motor Housing with a damp cloth or sponge.

TO STORE

Unplug unit; store in its box in a clean, dry place. Never store it while it is hot or still plugged in. **Never wrap cord tightly around the appliance.** Do not put any stress on the cord where it enters the unit, as it could cause the cord to fray and break.

FARBERWARE®

ONE-YEAR LIMITED WARRANTY

Warranty: This Farberware® product is warranted by Salton, Inc. to be free from defects in materials or workmanship for a period of (1) year from the original purchase date. This product warranty covers only the original consumer purchaser of the product.

Warranty Coverage: This warranty is void if the product has been damaged by accident in shipment, unreasonable use, misuse, neglect, improper service, commercial use, repairs by unauthorized personnel, normal wear and tear, improper assembly, installation or maintenance abuse or other causes not arising out of defects in materials or workmanship. This warranty is effective only if the product is purchased and operated in the USA, and does not extend to any units which have been used in violation of written instructions furnished by with the product or to units which have been altered or modified or to damage to products or parts thereof which have had the serial number removed, altered, defaced or rendered illegible.

Implied Warranties: ANY IMPLIED WARRANTIES WHICH THE PURCHASER MAY HAVE ARE LIMITED IN DURATION TO ONE (1) YEAR FROM THE DATE OF PURCHASE. Some states do not allow limitations on how long an implied warranty lasts, so the above limitation may not apply to you.

Warranty Performance: During the above one-year warranty period, a product with a defect will be either repaired or replaced with a reconditioned comparable model (at our option) when the product is returned to the Repair Center, or the purchase price refunded. The repaired or replacement product will be in warranty for the balance of the one-year warranty period and an additional one-month period. No charge will be made for such repair or replacement.

Service and Repair: Should the appliance malfunction, you should first call toll-free 1 (888) 881-8101 between the hours of 9:00 am and 5:00 pm Central Standard Time and ask for CONSUMER SERVICE stating that you are a consumer with a problem. Please refer to model number FSHM100 when you call.

In-Warranty Service (USA): For an appliance covered under the warranty period, no charge is made for service or postage. Call for return authorization 1 (888) 881-8101.

Out-of-Warranty Service: A flat rate charge by model is made for out-of-warranty service. Include \$6.00 (U.S.) for return shipping and handling. We will notify you by mail of the amount of the charge for service and require you to pay in advance for the repair or replacement.

For Products Purchased in the USA, but Used in Canada: You may return the product insured, packaged with sufficient protection, and postage and insurance prepaid to the USA address listed below. Please note that all customs duty / brokerage fees, if any, must be paid by you and we will require you to pay the cost of customs duty / brokerage fees to us in advance of our performing any service.

Risk During Shipment: We cannot assume responsibility for loss or damage during incoming shipment. For your protection, carefully package the product for shipment and insure it with the carrier. Be sure to enclose the following items with your appliance: any accessories related to your problem, your full return address and daytime phone number, a note describing the problem you experienced, a copy of your sales receipt or other proof of purchase to determine warranty status. C.O.D. shipments cannot be accepted.

To return the appliance, ship to:

ATTN: Repair Center
Salton, Inc.
708 South Missouri Street
Macon, MO 63552

To contact us, please write to, call, or email:

Salton, Inc.
P.O. Box 7366
Columbia, MO 65205-7366
1-888-881-8101
E-mail: Farberware-electric@Saltonusa.com

Limitation of Remedies: No representative or person is authorized to assume for Salton, Inc. any other liability in connection with the sale of our products. There shall be no claims for defects or failure of performance or product failure under any theory of tort, contract or commercial law including, but not limited to negligence, gross negligence, strict liability, breach of warranty and breach of contract. Repair, replacement or refund shall be the sole remedy of the purchaser under this warranty, and **in no event shall Salton be liable for any incidental or consequential damages, losses or expenses.** Some states do not allow the exclusion or limitation of incidental or consequential damages, so the above limitation or exclusion may not apply to you.

Legal Rights: This warranty gives you specific legal rights, and you may also have other rights which vary from state to state.

©2001 Salton, Inc. All rights reserved.

FARBERWARE® is a registered trademark of Farberware Inc.®

Manufactured and sold pursuant to a license from Farberware Inc.®

Free Manuals Download Website

<http://myh66.com>

<http://usermanuals.us>

<http://www.somanuals.com>

<http://www.4manuals.cc>

<http://www.manual-lib.com>

<http://www.404manual.com>

<http://www.luxmanual.com>

<http://aubethermostatmanual.com>

Golf course search by state

<http://golfingnear.com>

Email search by domain

<http://emailbydomain.com>

Auto manuals search

<http://auto.somanuals.com>

TV manuals search

<http://tv.somanuals.com>