

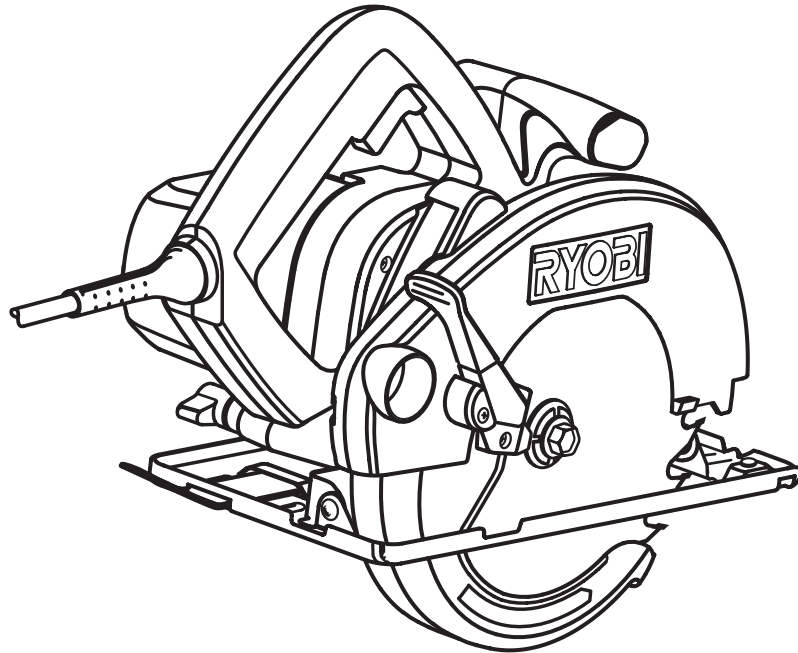


OPERATOR'S MANUAL

7-1/4 in. (184 mm) Circular Saw

Model CSB120, CSB130, or CSB130JS

DOUBLE INSULATED



SPECIFICATIONS:

Blade Diameter	7-1/4 in. (184 mm)
Blade Arbor	5/8 in. (16 mm)
Cutting Depth at 0°	2-3/8 in. (60 mm)
Cutting Depth at 45°	1-13/16 in. (46 mm)
Cutting Depth at 51.5°	1-5/8 in. (41 mm)
Rating	120 volts, 60 Hz, AC
No Load Speed	5,000 RPM
Net Weight	11.5 lbs.

THANK YOU FOR BUYING A RYOBI CIRCULAR SAW.

Your new circular saw has been engineered and manufactured to Ryobi's high standard for dependability, ease of operation, and operator safety. Properly cared for, it will give you years of rugged, trouble-free performance.

⚠ CAUTION: Carefully read through this entire operator's manual before using your new saw.

Pay close attention to the Rules for Safe Operation, Warnings, and Cautions. If you use your saw properly and only for what it is intended, you will enjoy years of safe, reliable service.

Thank you again for buying Ryobi tools.

SAVE THIS MANUAL FOR FUTURE REFERENCE

TABLE OF CONTENTS

■ Product Specifications	1
■ Table Of Contents	2
■ General Safety Rules	2-3
■ Specific Safety Rules	3-4
■ Features	6
■ Assembly	7-8
■ Operation	9-15
■ Maintenance	16
■ Exploded View And Parts List	18-21
■ Service Information	22

GENERAL SAFETY RULES



WARNING:

Read and understand all instructions. Failure to follow all instructions listed below may result in electric shock, fire, and/or serious personal injury.

SAVE THESE INSTRUCTIONS

Work Area

- **Keep your work area clean and well lit.** Cluttered benches and dark areas invite accidents.
- **Do not operate power tools in explosive atmospheres, such as in the presence of flammable liquids, gases, or dust.** Power tools create sparks which may ignite the dust or fumes.
- **Keep bystanders, children, and visitors away while operating a power tool.** Distractions can cause you to lose control.

Electrical Safety

- **Double insulated tools are equipped with a polarized plug (one blade is wider than the other). This plug will fit in a polarized outlet only one way. If the plug does not fit fully in the outlet, reverse the plug. If it still does not fit, contact a qualified electrician to install a polarized outlet. Do not change the plug in any way.** Double insulation eliminates the need for the three-wire grounded power cord and grounded power supply system.
- **Avoid body contact with grounded surfaces, such as pipes, radiators, ranges, and refrig-**

erators. There is an increased risk of electric shock if your body is grounded.

- **Don't expose power tools to rain or wet conditions.** Water entering a power tool will increase the risk of electric shock.
- **Do not abuse the cord. Never use the cord to carry the tools or pull the plug from an outlet. Keep cord away from heat, oil, sharp edges, or moving parts. Replace damaged cords immediately.** Damaged cords increase the risk of electric shock.
- **When operating a power tool outside, use an outdoor extension cord marked "W-A" or "W."** These cords are rated for outdoor use and reduce the risk of electric shock.

Personal Safety

- **Stay alert, watch what you are doing, and use common sense when operating a power tool. Do not use tool while tired or under the influence of drugs, alcohol, or medication.** A moment of inattention while operating power tools may result in serious personal injury.
- **Dress properly. Do not wear loose clothing or jewelry. Contain long hair. Keep your hair, clothing, and gloves away from moving parts.** Loose clothes, jewelry, or long hair can be caught in moving parts.
- **Avoid accidental starting. Be sure switch is off before plugging in.** Carrying tools with your finger on the switch or plugging in tools that have the switch on invites accidents.

GENERAL SAFETY RULES

Personal Safety (continued)

- **Remove adjusting keys or wrenches before turning the tool on.** A wrench or a key that is left attached to a rotating part of the tool may result in personal injury.
- **Do not overreach. Keep proper footing and balance at all times.** Proper footing and balance enables better control of the tool in unexpected situations.
- **Use safety equipment. Always wear eye protection.** Dust mask, nonskid safety shoes, hard hat, or hearing protection must be used for appropriate conditions.

Tool Use and Care

- **Use clamps or another practical way to secure and support the workpiece to a stable platform.** Holding the work by hand or against your body is unstable and may lead to loss of control.
- **Do not force tool. Use the correct tool for your application.** The correct tool will do the job better and safer at the rate for which it is designed.
- **Do not use tool if switch does not turn it on or off.** Any tool that cannot be controlled with the switch is dangerous and must be repaired.
- **Disconnect the plug from the power source before making any adjustments, changing accessories, or storing the tool.** Such preventive safety measures reduce the risk of starting

the tool accidentally.

- **Store idle tools out of the reach of children and other untrained persons.** Tools are dangerous in the hands of untrained users.
- **Maintain tools with care. Keep cutting tools sharp and clean.** Properly maintained tools with sharp cutting edges are less likely to bind and are easier to control.
- **Check for misalignment or binding of moving parts, breakage of parts, and any other condition that may affect the tool's operation.** If damaged, have the tool serviced before using. Many accidents are caused by poorly maintained tools.
- **Use only accessories that are recommended by the manufacturer for your model.** Accessories that may be suitable for one tool, may become hazardous when used on another tool.

Service

- **Tool service must be performed only by qualified repair personnel.** Service or maintenance performed by unqualified personnel could result in a risk of injury.
- **When servicing a tool, use only identical replacement parts. Follow instructions in Maintenance section of this manual.** Use of unauthorized parts or failure to follow Maintenance Instructions may create a risk of electric shock or injury.

SPECIFIC SAFETY RULES

Specific Safety Rules for Circular Saws

- **DANGER! Keep hands away from cutting area and blade. Keep your second hand on the auxiliary handle or motor housing.** If both hands are holding the saw, they cannot be cut by the blade.
- **Keep your body positioned to either side of the saw blade, but not in line with the saw blade.** Kickback could cause the saw to jump backwards. (See "Causes and Operator Prevention of Kickback.")
- **Do not reach underneath the work.** The guard cannot protect you from the blade below the work.
- **Check lower guard for proper closing before each use. Do not operate saw if lower guard does not move freely and close instantly. Never clamp or tie the lower guard into the open position.** If saw is accidentally dropped, lower

guard may be bent. Raise the lower guard with the retracting handle. Make sure it moves freely and does not touch the blade or any other part, in all angles and depths of cut.

- **Check the operation and condition of the lower guard spring. If the guard and the spring are not operating properly, they must be serviced before use.** Lower guard may operate sluggishly due to damaged parts, gummy deposits, or a buildup of debris.
- **Lower guard should be retracted manually only for special cuts, such as "Pocket Cuts" and "Compound Cuts." Raise lower guard by retracting handle. As soon as blade enters the material, lower guard must be released.** For all other sawing, the lower guard should operate automatically.

SPECIFIC SAFETY RULES

Specific Safety Rules for Circular Saws (continued)

- **Always observe that the lower guard is covering the blade before placing saw down on bench or floor.** An unprotected, coasting blade will cause the saw to walk backwards, cutting whatever is in its path. Be aware of the time it takes for the blade to stop after switch is released.
- **NEVER hold piece being cut in your hands or across your leg.** It is important to support the work properly to minimize body exposure, blade binding, or loss of control.
- **Hold tool by insulated gripping surface when performing an operation where the cutting tool may contact hidden wiring or its own cord.** Contact with a "live" wire will also make exposed metal parts of the tool "live" and shock the operator.
- **When ripping, always use a rip fence or straight edge guide.** This improves the accuracy of the cut and reduces the chance for blade binding.
- **Always use blades with correct size and shape (diamond vs. round) arbor holes.** Blades that do not match the mounting hardware of the saw will run eccentrically, causing loss of control.
- **Never use damaged or incorrect blade washers or bolts.** The blade washers and bolts were specially designed for your saw for optimum performance and safety of operation.

Causes and Operator Prevention of Kickback

- Kickback is a sudden reaction to a pinched, bound, or misaligned saw blade, causing an uncontrolled saw to lift up and out of the workpiece toward the operator.
- When the blade is pinched or bound tightly by the kerf closing down, the blade stalls and the motor reaction drives the unit rapidly back toward the operator.
- If the blade becomes twisted or misaligned in the cut, the teeth at the back edge of the blade can dig into the top surface of the wood causing the blade to climb out of the kerf and jump back toward the operator.

- Kickback is the result of tool misuse and/or incorrect operating procedures or conditions and can be avoided by taking proper precautions, as given below:
- **Maintain a firm grip with both hands on the saw and position your body and arm to allow you to resist KICKBACK forces.** KICKBACK forces can be controlled by the operator, if proper precautions are taken.
- **When blade is binding, or when interrupting a cut for any reason, release the trigger and hold the saw motionless in the material until the blade comes to a complete stop. Never attempt to remove the saw from the work or pull the saw backward while the blade is in motion, or KICKBACK may occur.** Investigate and take corrective actions to eliminate the cause of blade binding.
- **When restarting a saw in the workpiece, center the saw blade in the kerf and check that saw teeth are not engaged into the material.** If saw blade is binding, it may walk up or KICKBACK from the workpiece as the saw is restarted.
- **Support large panels to minimize the risk of blade pinching and KICKBACK.** Large panels tend to sag under their own weight. Supports must be placed under the panel on both sides, near the line of cut and near the edge of the panel.
- **Do not use dull or damaged blade.** Unsharpened or improperly set blades produce narrow kerf which causes excessive friction, blade binding and KICKBACK.
- **Blade depth and bevel adjusting locking levers must be tight and secure before making cut.** If blade adjustment shifts while cutting, it may cause binding and KICKBACK.
- **Use extra caution when making a "Pocket Cut" into existing walls or other blind areas.** The protruding blade may cut objects that can cause KICKBACK.

Additional Rules for Safe Operation

- **Know your power tool. Read operator's manual carefully. Learn its applications and limitations, as well as the specific potential hazards related to this tool.** Following this rule will reduce the risk of electric shock, fire or serious injury.
- **Always wear safety glasses. Everyday eye-glasses have only impact-resistant lenses; they are NOT safety glasses.** Following this rule will reduce the risk of serious personal injury.
- **Protect your lungs. Wear a face or dust mask if the operation is dusty.** Following this rule will reduce the risk of serious personal injury.
- **Protect your hearing. Wear hearing protection during extended periods of operation.** Following this rule will reduce the risk of serious personal injury.
- **Don't abuse cord. Never carry the tool by the cord or yank it to disconnect it from the receptacle. Keep cord away from heat, oil, and sharp edges.** Following this rule will reduce the risk of electric shock or fire.
- **Make sure your extension cord is in good condition. When using an extension cord, be sure to use one heavy enough to carry the current your product will draw. A wire gage size (A.W.G.) of at least 16 is recommended for an extension cord 100 feet or less in length. A cord exceeding 100 feet is not recommended. If in doubt, use the next heavier gage. The smaller the gage number, the heavier the cord. An undersized cord will cause a drop in line voltage resulting in loss of power and overheating.**
- **Inspect tool cords periodically and, if damaged, have repaired at your nearest Factory Service Center or other Authorized Service Organiza-**

tion. Constantly stay aware of cord location. Following this rule will reduce the risk of electric shock or fire.

- **Check damaged parts. Before further use of the tool, a guard or other part that is damaged should be carefully checked to determine that it will operate properly and perform its intended function. Check for alignment of moving parts, binding of moving parts, breakage of parts, mounting, and any other conditions that may affect its operation. A guard or other part that is damaged should be properly repaired or replaced by an authorized service center.** Following this rule will reduce the risk of electric shock, fire or serious injury.



WARNING:

Some dust created by power sanding, sawing, grinding, drilling, and other construction activities contains chemicals known to cause cancer, birth defects or other reproductive harm. Some examples of these chemicals are:

- lead from lead-based paints,
- crystalline silica from bricks and cement and other masonry products, and
- arsenic and chromium from chemically-treated lumber.

Your risk from these exposures varies, depending on how often you do this type of work. To reduce your exposure to these chemicals: work in a well ventilated area, and work with approved safety equipment, such as those dust masks that are specially designed to filter out microscopic particles.

The purpose of safety symbols is to attract your attention to possible dangers. The safety symbols, and the explanations with them, deserve your careful attention and understanding. The safety warnings do not by themselves eliminate any danger. The instructions or warnings they give are not substitutes for proper accident prevention measures.

SYMBOL	MEANING
	SAFETY ALERT SYMBOL: Indicates danger, warning, or caution. May be used in conjunction with other symbols or pictographs.
	DANGER: Failure to obey a safety warning will result in serious injury to yourself or to others. Always follow the safety precautions to reduce the risk of fire, electric shock, and personal injury.
	WARNING: Failure to obey a safety warning can result in serious injury to yourself or to others. Always follow the safety precautions to reduce the risk of fire, electric shock, and personal injury.
	CAUTION: Failure to obey a safety warning may result in property damage or personal injury to yourself or to others. Always follow the safety precautions to reduce the risk of fire, electric shock, and personal injury.
NOTE:	Advises you of information or instructions vital to the operation or maintenance of the equipment.



SAFETY ALERT SYMBOL:

Indicates danger, warning, or caution. May be used in conjunction with other symbols or pictographs.



DANGER: Failure to obey a safety warning will result in serious injury to yourself or to others. Always follow the safety precautions to reduce the risk of fire, electric shock, and personal injury.



WARNING: Failure to obey a safety warning can result in serious injury to yourself or to others. Always follow the safety precautions to reduce the risk of fire, electric shock, and personal injury.



CAUTION: Failure to obey a safety warning may result in property damage or personal injury to yourself or to others. Always follow the safety precautions to reduce the risk of fire, electric shock, and personal injury.

NOTE: Advises you of information or instructions vital to the operation or maintenance of the equipment.

FEATURES

KNOW YOUR CIRCULAR SAW

See Figure 1.

Before attempting to use your saw, familiarize yourself with all operating features and safety requirements.

WARNING:

If any parts are missing, do not operate your tool until the missing parts are replaced. Failure to do so could result in possible serious personal injury.

SWITCH

Your saw is equipped with a pre-travel safety switch which reduces the possibility of accidental starting. When you depress the switch, you will notice the saw will not start until you reach the pre-travel position. You must depress the switch fully to activate the saw.

APPLICATIONS

(Use only for the purpose listed below)

- Cutting all types of wood products (lumber, plywood, paneling).

ELECTRICAL CONNECTION

Your circular saw has a precision-built electric motor. It should be connected to a **power supply that is 120 volts, 60 Hz only**. Do not operate this tool on direct current (DC). A substantial voltage drop will cause a loss of power and the motor will overheat. If your saw does not operate when plugged into an outlet, double-check the power supply.

WARNING:

Do not allow familiarity with your saw to make you careless. Remember that a careless fraction of a second is sufficient to inflict severe injury.

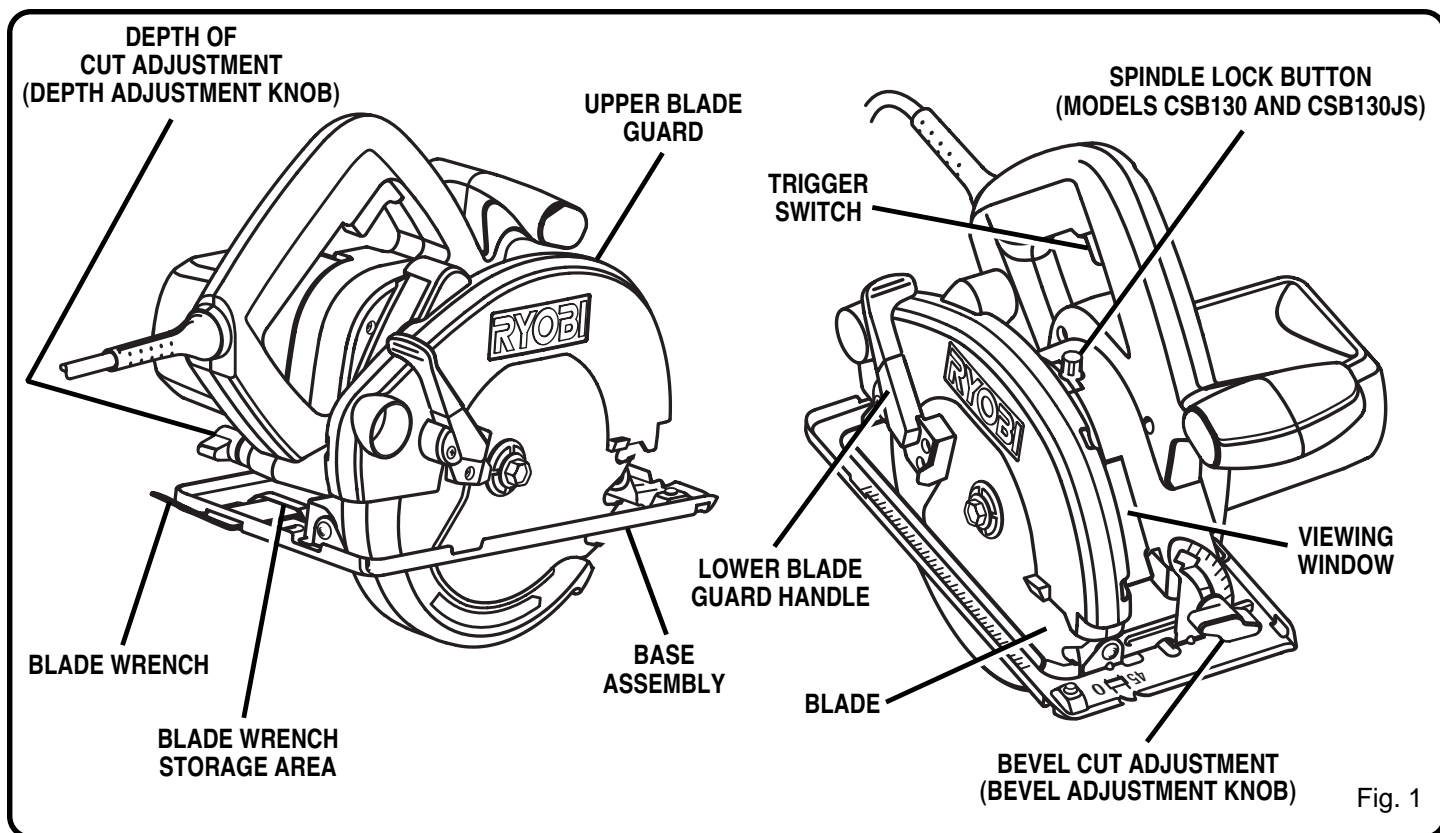


Fig. 1

WARNING:



The operation of any circular saw can result in foreign objects being thrown into your eyes, which can result in severe eye damage. Before beginning power tool operation, always wear safety goggles or safety glasses with side shields and a full face shield when needed. We recommend Wide Vision Safety Mask for use over eyeglasses or standard safety glasses with side shields.

ASSEMBLY

- Carefully remove the saw and accessories from box. Make sure all items listed in the Packing List are included.
- Do not discard the packing material until you have carefully inspected and satisfactorily operated saw.
- Examine all parts and accessories to make sure that no breakage has occurred during shipping. Any damaged part should be replaced before attempting to use the tool.

PACKING LIST

CSB120

Circular Saw
7-1/4 Blade
Wrench
Warranty Card
Operator's Manual

CSB130 & CSB130JS

Circular Saw
7-1/4 Blade
Wrench
Warranty Card
Dust Nozzle CSB130JS
Edge Guide CSB130JS
Carrying Case CSB130JS
and CSB130K
Operator's Manual

WARNING:

Your saw should never be connected to a power supply when you are assembling parts, making adjustments, assembling or removing blades, cleaning, or when not in use. Disconnecting your saw will prevent accidental starting that could cause serious personal injury.

WARNING:

7-1/4 in. (184 mm) blade is the maximum blade capacity of your saw. Also, never use a blade that is too thick to allow outer blade washer to engage with the flat on the spindle. Larger blades will come in contact with the blade guards, while thicker blades will prevent blade screw from securing blade on spindle. Either of these situations could result in a serious accident.

TO ASSEMBLE OR REMOVE BLADE

See Figures 2 and 3.

- Unplug your saw.

WARNING:

Failure to unplug your saw could result in accidental starting causing possible serious personal injury.

MODEL CSB120

- Place your blade on a piece of scrap as shown in Figure 3 and remove blade screw.

NOTE: With blade teeth embedded in the wood, turn blade screw counterclockwise to remove.

MODEL CSB 130 AND CSB130JS

- Depress spindle lock button to secure blade when turning blade screw. See Figure 4.
- Remove spring washer and outer blade washer ("D" washer). **NOTE: BLADE CAN BE REMOVED AT THIS POINT.** If you are assembling blade for the first time or changing blade, continue to follow the steps on Page 8.

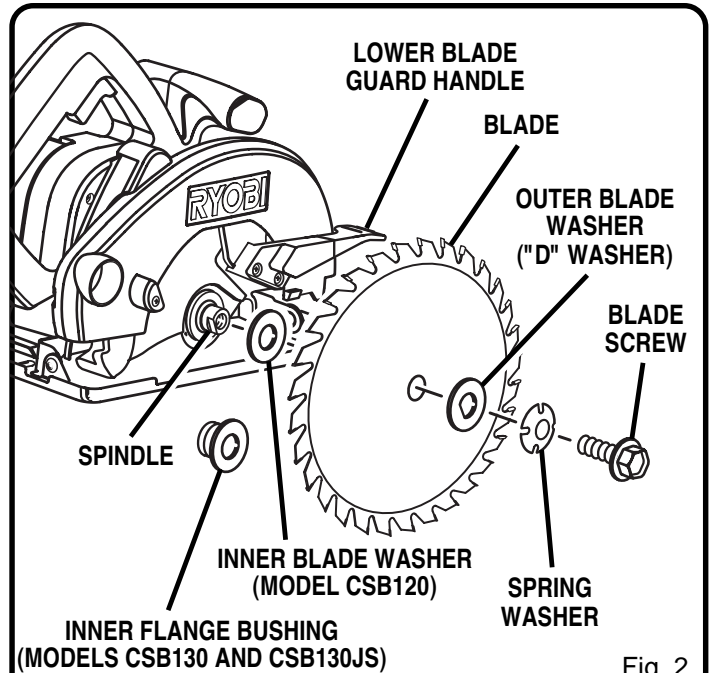


Fig. 2

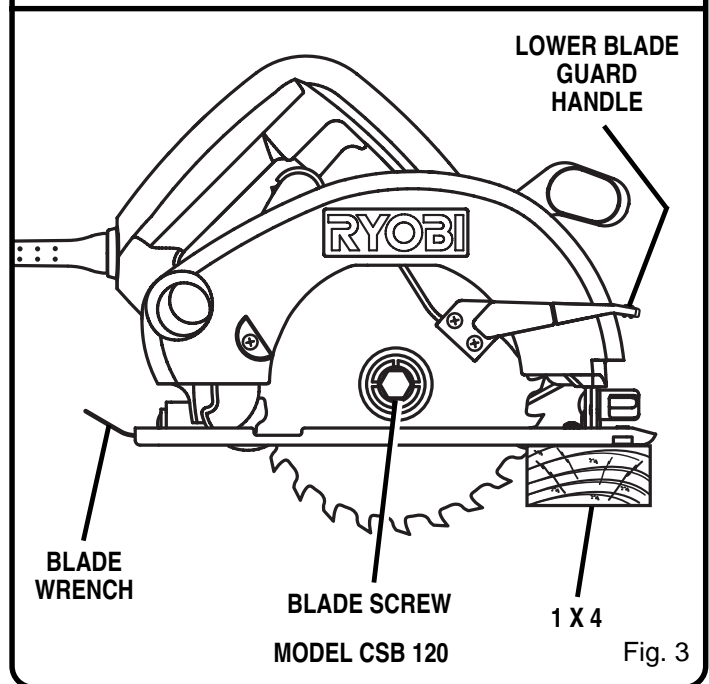


Fig. 3

ASSEMBLY

- Wipe a drop of oil onto inner blade washer and outer blade washer ("D" washer) where they contact blade.



WARNING:

If inner blade washer has been removed, replace it before placing blade on spindle. Failure to do so could cause an accident since blade will not tighten properly.

- Fit saw blade inside blade guard and onto spindle.
NOTE: The saw teeth point upward at the front of the saw as shown in Figure 2.
- Replace "D" washer and spring washer.
NOTE: "Cupped" side of spring washer goes against "D" washer. See Figure 2.
- Replace blade screw. Tighten blade screw securely.
NOTE: Turn blade screw clockwise to tighten.

REMEMBER: Never use a blade that is too thick to allow the "D" washer to engage with the flat on the spindle.

SAW BLADES

The best of saw blades will not cut efficiently if they are not kept clean, sharp, and properly set. Using a dull blade will place a heavy load on your saw and increase the danger of kickback. Keep extra blades on hand, so that sharp blades are always available.

Gum and wood pitch hardened on blades will slow your saw down. Remove saw blade from your saw and use gum and pitch remover, hot water, or kerosene to remove these accumulations. **DO NOT USE GASOLINE.**

BLADE GUARD SYSTEM

See Figure 4.

The lower blade guard attached to your circular saw is there for your protection and safety. It should never be altered for any reason. If it becomes damaged, do not operate your saw until the damage has been repaired or replaced. Always leave guard in operating position when using your saw.

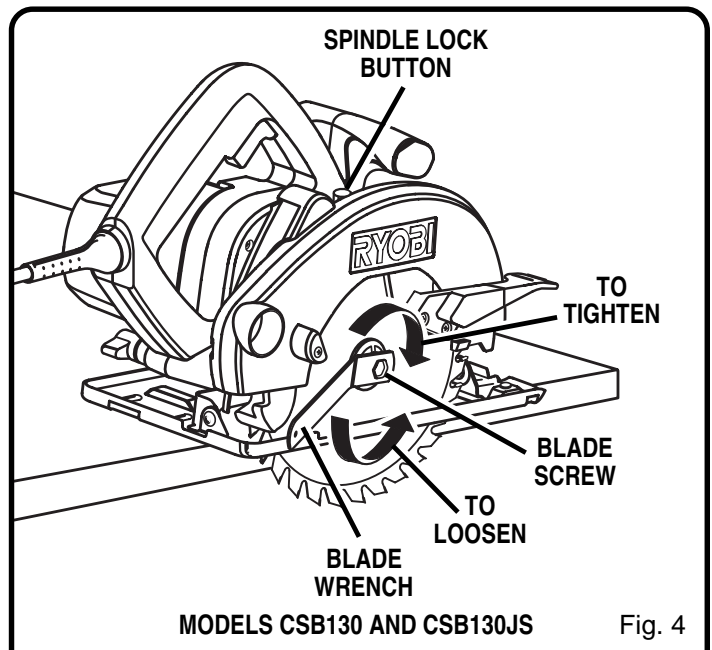


DANGER:

When sawing through work, lower blade guard does not cover blade on the underside of work. Since blade is exposed on underside of work, keep hands and fingers away from cutting area. Any part of your body coming in contact with moving blade will result in serious injury.

Never use saw when guard is not operating correctly. Guard should be checked for correct operation before each use.

NOTE: The guard is operating correctly when it moves freely and readily returns to the closed position. If you drop your saw, check the lower blade guard for damage at all depth settings before reuse.



MODELS CSB130 AND CSB130JS

Fig. 4

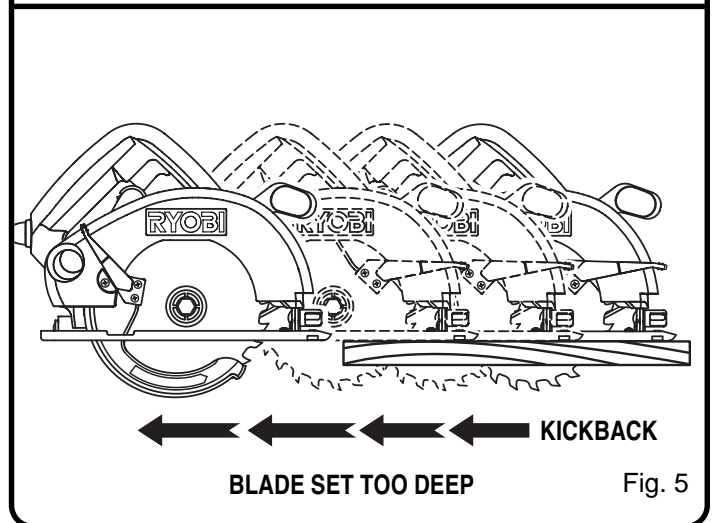


Fig. 5

OPERATION

WARNING:

Do not attempt to operate this tool until you have read thoroughly and understand completely all instructions, safety rules, etc., contained in this manual. Failure to comply can result in accidents involving fire, electric shock, or serious personal injury. Save operator's manual, and review frequently for continuing safe operation and for instructing others who may use this tool.

KICKBACK

See Figure 5.

THE BEST GUARD AGAINST KICKBACK IS TO AVOID DANGEROUS PRACTICES.

Kickback occurs when the blade stalls rapidly and the saw is driven back toward you. Blade stalling is caused by any action which pinches the blade in the wood.

DANGER:

Release switch immediately if blade binds or saw stalls. Kickback will cause you to lose control of your saw. Loss of control can lead to serious injury.

KICKBACK IS CAUSED BY:

- Incorrect blade depth setting. See Figure 5.
- Sawing into knots or nails in work.
- Twisting blade while making a cut.
- Making a cut with a dull, gummed up, or improperly set blade.
- Incorrectly supporting work. See Figure 6.
- Forcing a cut.
- Cutting warped or wet lumber.
- Tool misuse or incorrect operating procedures.

TO LESSEN THE CHANCE OF KICKBACK:

- Always keep the correct blade depth setting—the correct blade depth setting for all cuts should not exceed 1/4 in. below the material to be cut. See Figure 7.
- Inspect the work for knots or nails before beginning a cut. Never saw into a knot or nail.
- Make straight cuts. Always use a straight edge guide when rip cutting. This helps prevent twisting the blade in the cut.
- Always use clean, sharp, and properly set blades. Never make cuts with dull blades.
- To avoid pinching the blade, support the work properly before beginning a cut. The right way to support large pieces of work are shown in Figure 8.
- When making a cut, use steady, even pressure. Never force cuts.
- Do not cut warped or wet lumber.

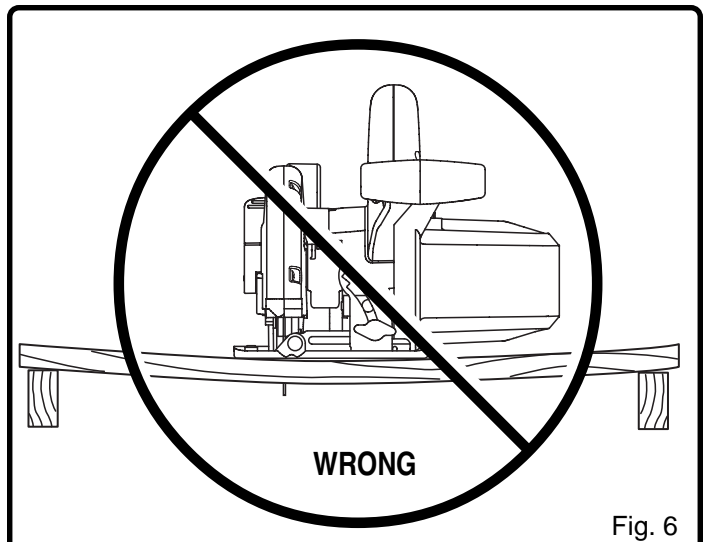


Fig. 6

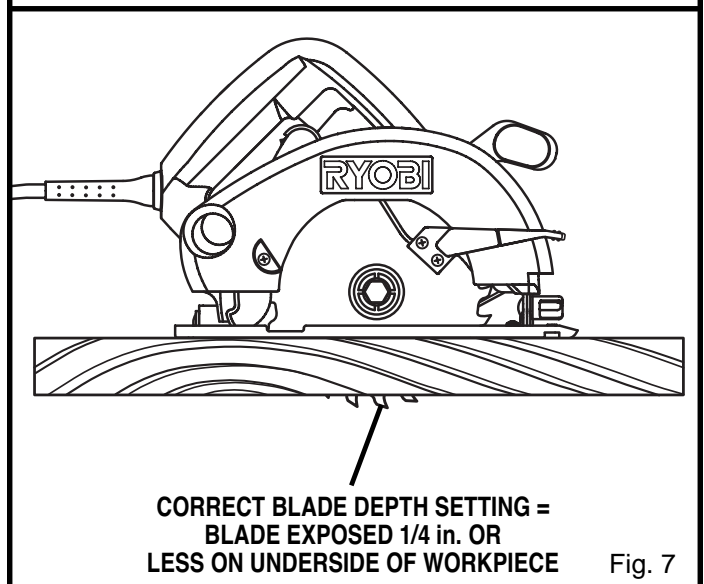


Fig. 7

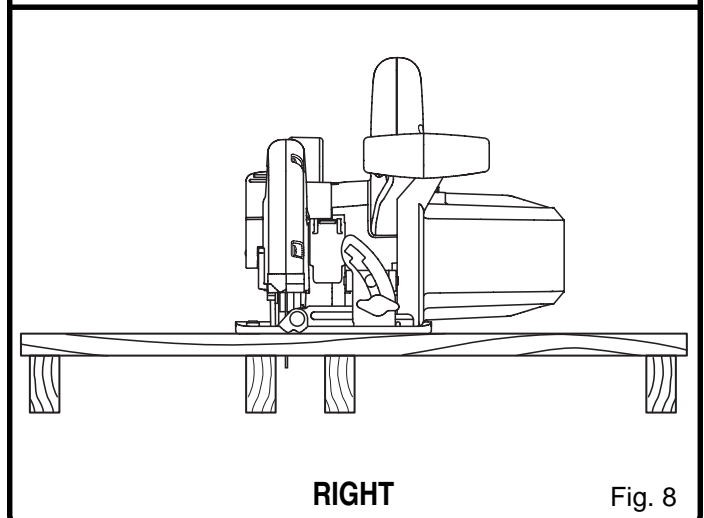


Fig. 8

- Always hold your saw firmly with both hands and keep your body in a balanced position so as to resist the forces of kickback should it occur.

WHEN USING YOUR SAW, ALWAYS STAY ALERT AND EXERCISE CONTROL. DO NOT REMOVE YOUR SAW FROM WORKPIECE WHILE THE BLADE IS MOVING.

OPERATION

DEPTH OF CUT ADJUSTMENT

Always keep correct blade depth setting. The correct blade depth setting for all cuts should not exceed 1/4 in. below the material to be cut. More blade depth will increase the chance of kickback and cause the cut to be rough.

TO ADJUST BLADE DEPTH

- Unplug your saw.



WARNING:

Failure to unplug your saw could result in accidental starting causing possible serious personal injury.

- Loosen depth adjustment knob. *See Figure 9.*
- Hold base flat against the work and raise or lower saw until the required depth is reached.
- Tighten depth adjustment knob securely.

STARTING A CUT

KNOW THE RIGHT WAY TO USE YOUR SAW.

See Figure 11.

NEVER USE YOUR SAW AS SHOWN IN FIGURE 10.

NEVER PLACE YOUR HAND ON THE WORKPIECE BEHIND YOUR SAW WHILE MAKING A CUT.



WARNING:

To make sawing easier and safer, always maintain proper control of your saw. Loss of control of your saw could cause an accident resulting in possible serious injury.

TO HELP MAINTAIN CONTROL:

- Always support your work near the cut.
- Support your work so the cut will be on your right.
- Clamp your work so it will not move during the cut.

Place your work with its good side down.

NOTE: The good side is the side on which appearance is important.

Before beginning a cut, draw a guide line along the desired line of cut. Then place the front edge of the base on that part of your work that is solidly supported. *See Figure 11.*

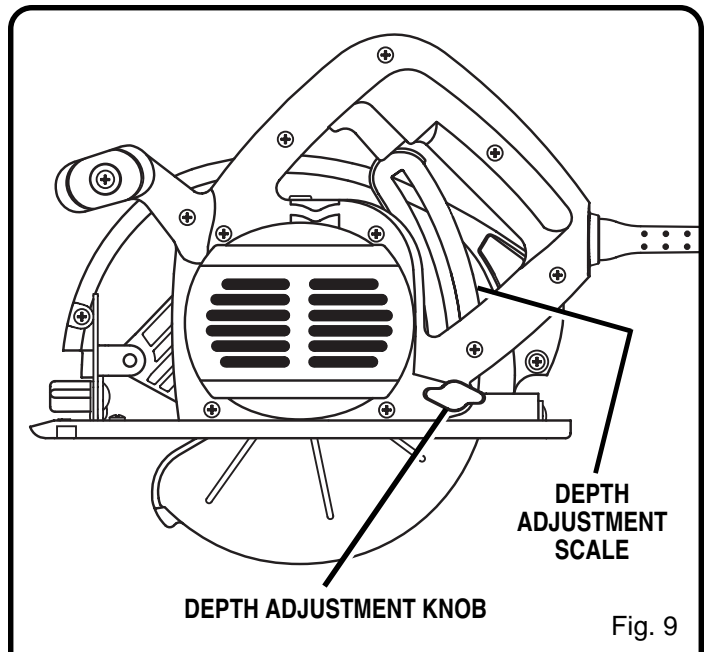
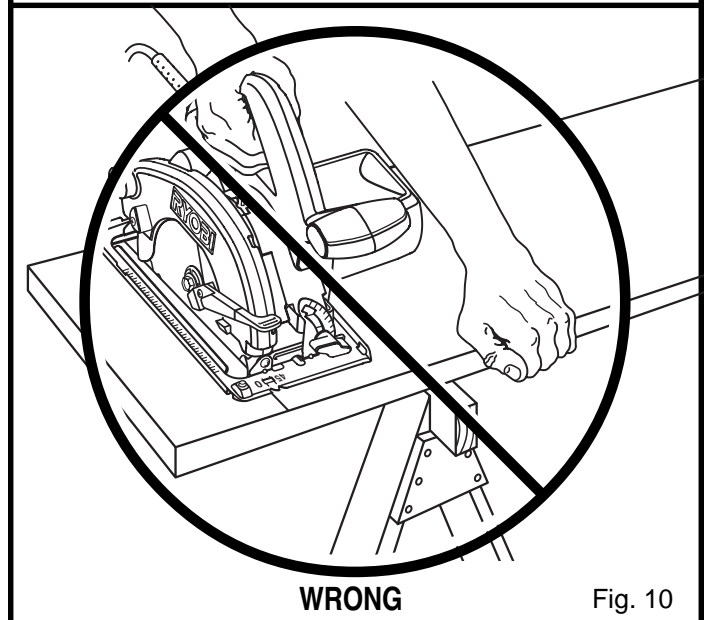
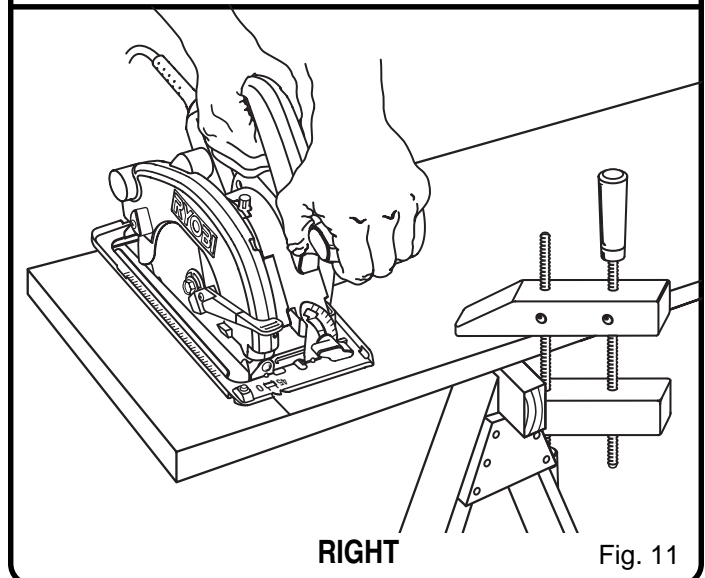


Fig. 9



WRONG

Fig. 10



RIGHT

Fig. 11

OPERATION

NEVER PLACE YOUR SAW ON THAT PART OF THE WORK THAT WILL FALL OFF WHEN THE CUT IS MADE.

See Figure 12.

Keep the cord away from cutting area. **ALWAYS** place the cord to prevent it from hanging up on the work while making a cut. Utilize the cord clip to help prevent cord problems.

See Figure 13.

DANGER:

If the cord hangs up on the work during a cut, release the switch trigger immediately. Unplug your saw and reposition the cord to prevent it from hanging up again.

DANGER:

Using your saw with a damaged cord will result in serious injury or death. If the cord has been damaged, have it replaced before using your saw again.

Hold your saw firmly with both hands. See Figure 14.

ALWAYS let the blade reach full speed, then guide your saw into the work.

WARNING:

The blade coming in contact with the work before it reaches full speed could cause your saw to "kickback" toward you resulting in serious injury.

When making a cut, use steady, even pressure. Forcing causes rough cuts, could shorten the life of your saw, and could cause kickback.

REMEMBER: When sawing through work, the lower blade guard does not cover the blade, exposing it on the underside of work. Keep your hands and fingers away from the cutting area.

After you complete your cut, release the trigger and allow the blade to come to a complete stop. **DO NOT REMOVE YOUR SAW FROM WORKPIECE WHILE THE BLADE IS MOVING.**

CAUTION:

When lifting your saw from the work, the blade is exposed on the underside of your saw until the lower blade guard closes. Make sure lower blade guard is closed before setting your saw down on work surface. Failure to do so may result in serious personal injury.

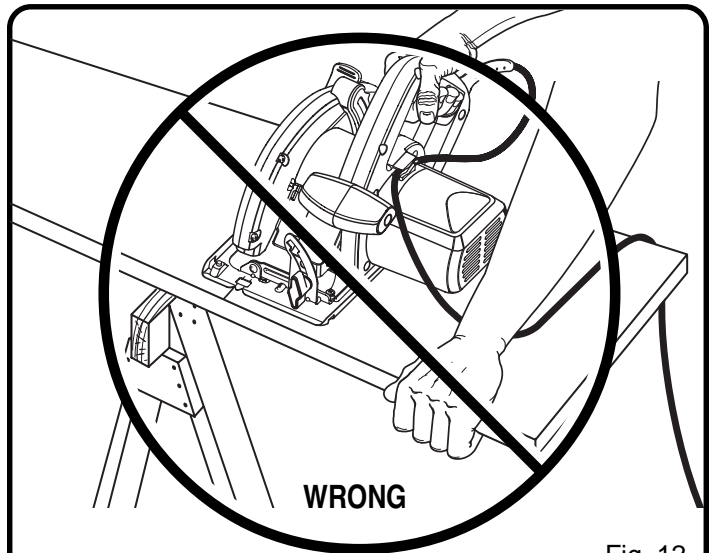


Fig. 12

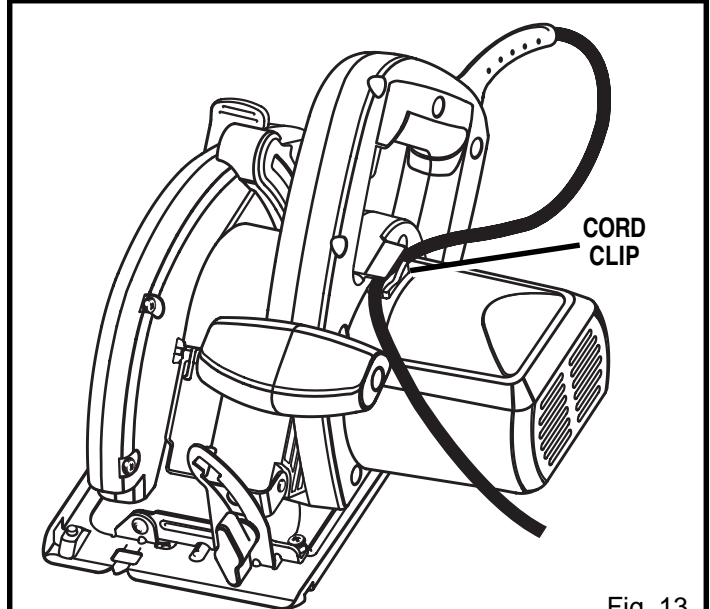


Fig. 13

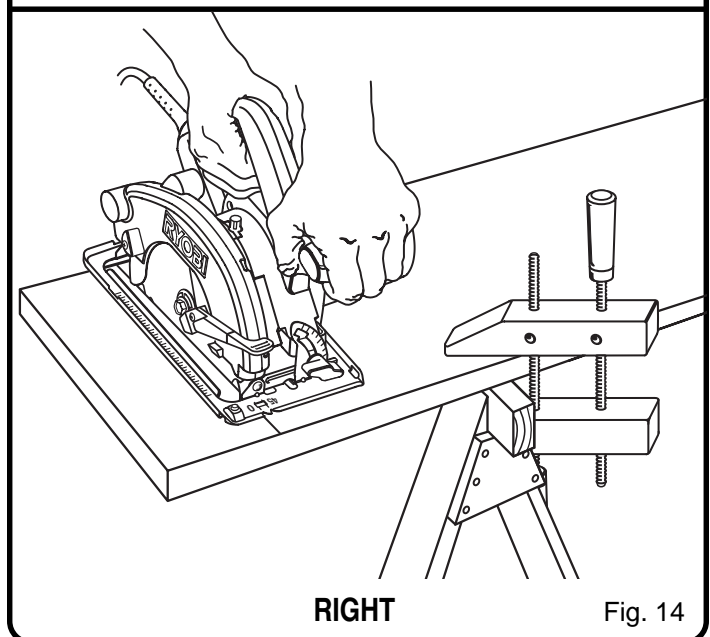


Fig. 14

OPERATION

TO CROSS CUT OR RIP CUT

See Figure 15.

When making a cross cut or rip cut, align your line of cut with the outer blade guide notch on the saw base (as shown in Figure 15) and view the blade through the viewing window. Since blade thicknesses vary, always make a trial cut in scrap material along a guideline to determine how much, if any, the guideline must be offset to produce an accurate cut.

NOTE: The distance from the line of cut to the guideline is the amount you should offset the guideline.

OPTIONAL RIP GUIDE (EDGE GUIDE)

See Figure 16.

Use a guide when making long or wide rip cuts with your saw. An optional rip guide with a 5 in. scale is available, or you can make an efficient rip guide by clamping a straight edge to your workpiece. Secure the workpiece. Using C-clamps, firmly clamp a straight edge to the workpiece and guide the saw along the straight edge to achieve a straight rip cut. Do not bind the blade in the cut. If using the optional rip guide, see the following instructions and Figure 17.

TO ASSEMBLE RIP GUIDE

- Unplug your saw.

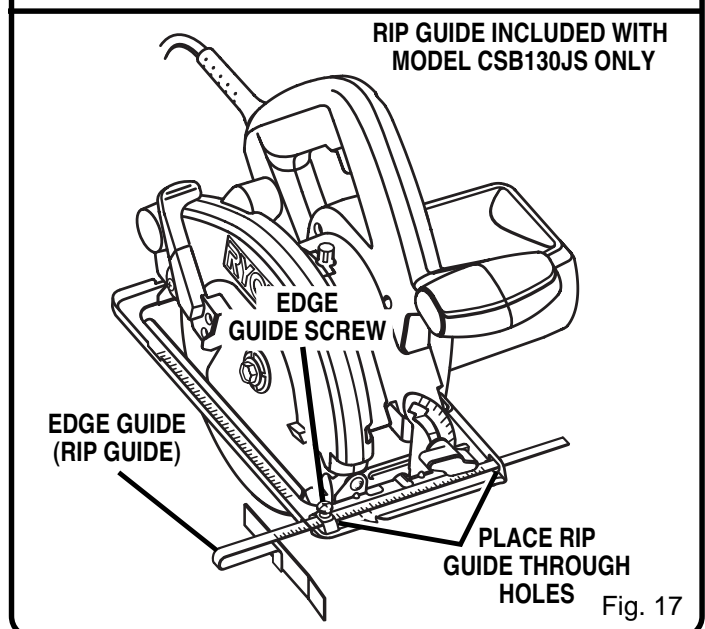
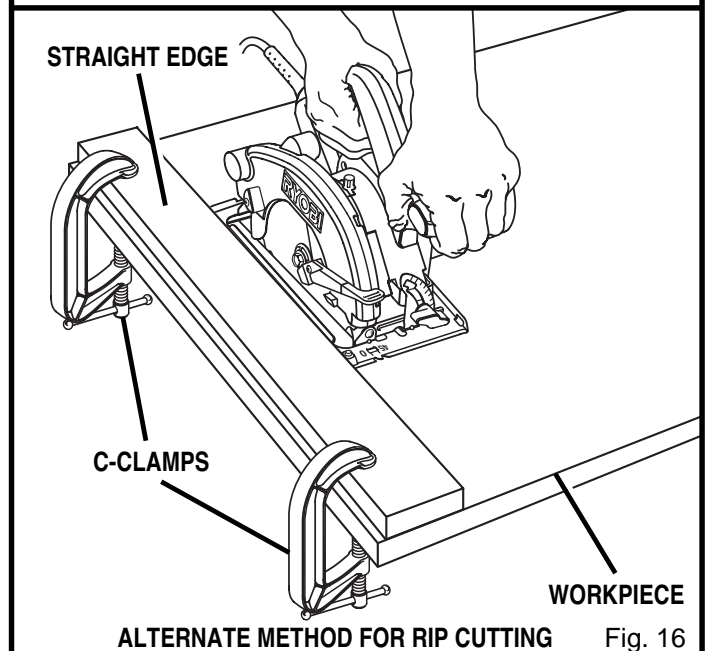
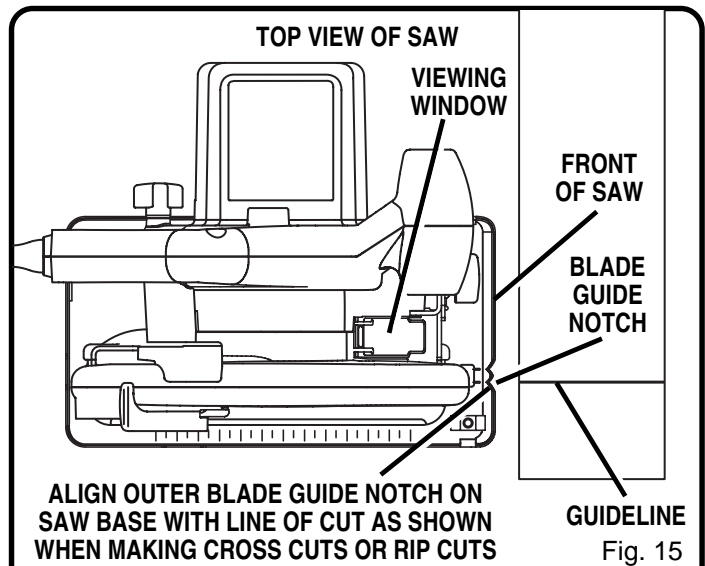


WARNING:

Failure to unplug your saw could result in accidental starting causing possible serious personal injury.

- Place rip guide through holes in saw base as shown in Figure 17.
- Adjust rip guide to the width needed for the cut.
- Tighten edge guide screw securely.

When using a rip guide, position the face of the rip guide firmly against the edge of workpiece. This makes for a true cut without pinching the blade. The guiding edge of the workpiece must be straight for your cut to be straight. Use caution to prevent blade from binding in the cut.



OPERATION

TO BEVEL CUT

See Figure 18 and 19.

The angle of cut of your saw may be adjusted to any desired setting between zero and 51.5 degrees. There is a window in the saw base to help you line up the blade with the line of cut. See Figure 18. Align your line of cut with the inner blade guide notch on the saw base and view through the window when making full 45 degree bevel cuts. Since blade thicknesses vary and different angles require different settings, always make a trial cut in scrap material along a guideline to determine how much you should offset the guideline on the board to be cut.

When making a bevel cut, hold your saw firmly with both hands (as shown in Figure 19). Rest the front edge of the base on the work. Depress the switch trigger. **ALWAYS** let the blade reach full speed, then guide your saw into the work.



WARNING:

The blade coming in contact with the work before it reaches full speed could cause saw to kickback toward you resulting in serious injury.

After you complete your cut, release the trigger and allow the blade to come to a complete stop. **AFTER** the blade has stopped, lift your saw from the work.

ADJUST BEVEL SETTING

See Figure 18.

■ Unplug your saw.



WARNING:

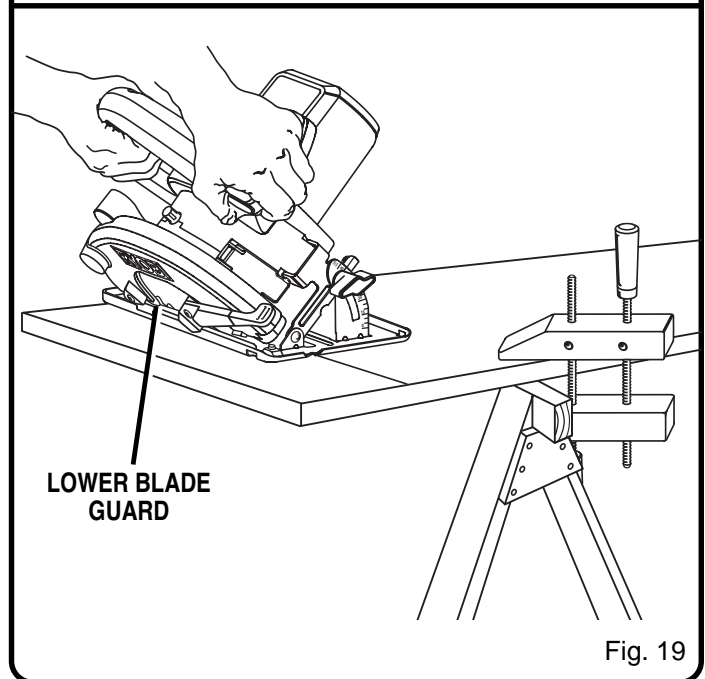
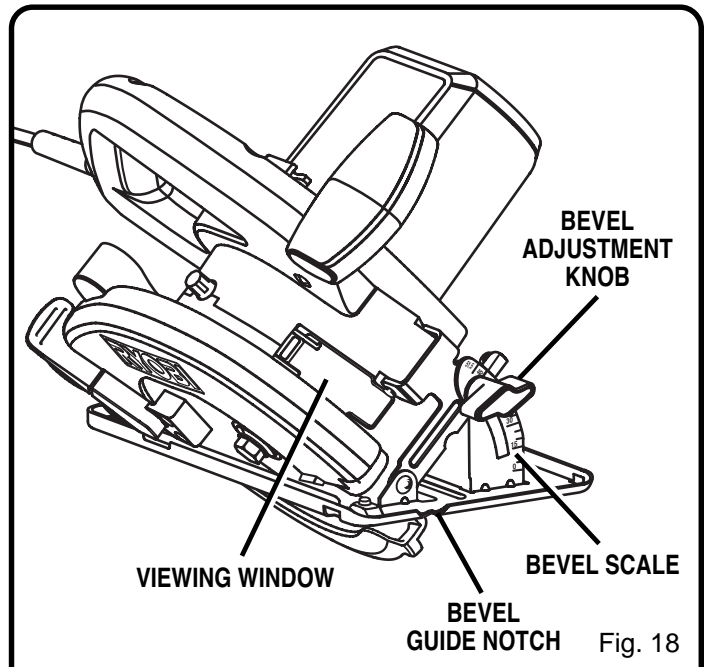
Failure to unplug your saw could result in accidental starting causing possible serious personal injury.

- Loosen bevel adjustment knob.
- Raise motor housing end of saw until you reach desired angle setting on bevel scale.
- Tighten bevel adjustment knob securely.



WARNING:

Attempting bevel cut without bevel adjustment knob securely tightened can result in serious injury.



OPERATION

POSITIVE 0° BEVEL STOP

See Figure 20.

Your saw has a positive 0° bevel stop that has been factory adjusted to assure 0° angle of your saw blade, when making 90° cuts. However, misalignment can occur during shipping.

TO CHECK:

- Unplug your saw.



WARNING:

Failure to unplug your saw could result in accidental starting causing possible serious personal injury.

- Place your saw in an upside down position on workbench. See Figure 20.
- Using a combination square, check squareness of saw blade to the base of your saw.

TO ADJUST:

- Unplug your saw.



WARNING:

Failure to unplug your saw could result in accidental starting causing possible serious personal injury.

- Lock bevel adjustment knob.
- Loosen hex nut securing adjustment screw.
- Turn screw and adjust base until square with saw blade.
- Tighten hex nut and bevel adjustment knob securely.



WARNING:

Attempting to make cuts without bevel adjustment knob securely tightened can result in serious injury.

LENGTH OF CUT SCALE

See Figure 21.

A length of cut scale has been provided on the base of your saw. It is parallel with the saw blade and can be used to measure the distance into material the blade has cut.

NOTE: Six inches is the maximum length of the cut that can be measured. Also, it is accurate only when the depth of cut is set at full maximum depth.

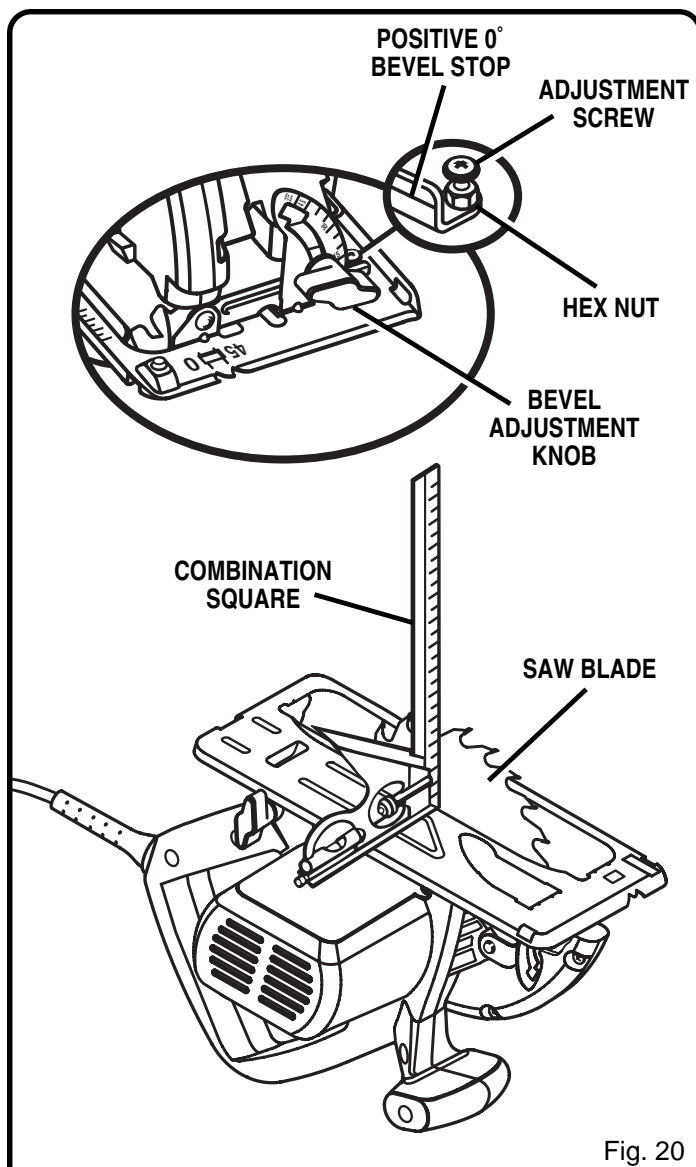


Fig. 20

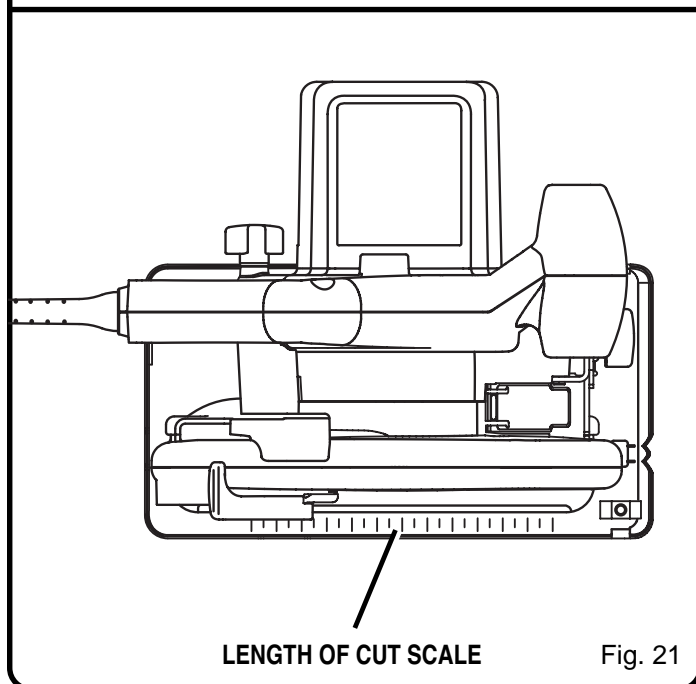


Fig. 21

OPERATION

DUST NOZZLE (MODEL CSB 130JS)

See Figure 22.

A dust nozzle is included with saw Model CSB130JS. As shown in figure 22, the dust nozzle fits over the dust chute which is located on the rear of the upper blade guard. Attach dust nozzle with a twisting motion. The easy rotation of the dust nozzle allows the operator to direct the flow of dust and chips. The dust and chip opening should always be turned away from the operator.

TO POCKET CUT

See Figure 23.



WARNING:

Always adjust bevel setting to zero before making a pocket cut. Attempting a pocket cut at any other setting can result in loss of control of your saw possibly causing serious injury.

Adjust the bevel setting to zero, set blade to correct blade depth setting, and swing the lower blade guard up using the lower blade guard handle. **ALWAYS RAISE THE LOWER BLADE GUARD WITH THE HANDLE TO AVOID SERIOUS INJURY.** While holding lower blade guard by the handle, firmly rest the front of the base flat against the workpiece with the rear of the handle raised so the blade does not touch the work. See Figure 23. Depress the switch trigger.

ALWAYS LET THE BLADE REACH FULL SPEED, THEN SLOWLY LOWER BLADE INTO THE WORK UNTIL BASE IS FLAT AGAINST WORK. After you complete your cut, release the trigger and allow the blade to come to a complete stop. After the blade has stopped, remove it from the work. Then, corners may be cleared out with a hand saw or sabre saw.



WARNING:

Never tie the lower blade guard in a raised position. Leaving the blade exposed could lead to serious injury.



WARNING:

Do not use this product as a component of other products. Also, do not use attachments or accessories not recommended for use with this product. Any such use could result in possible serious personal injury.

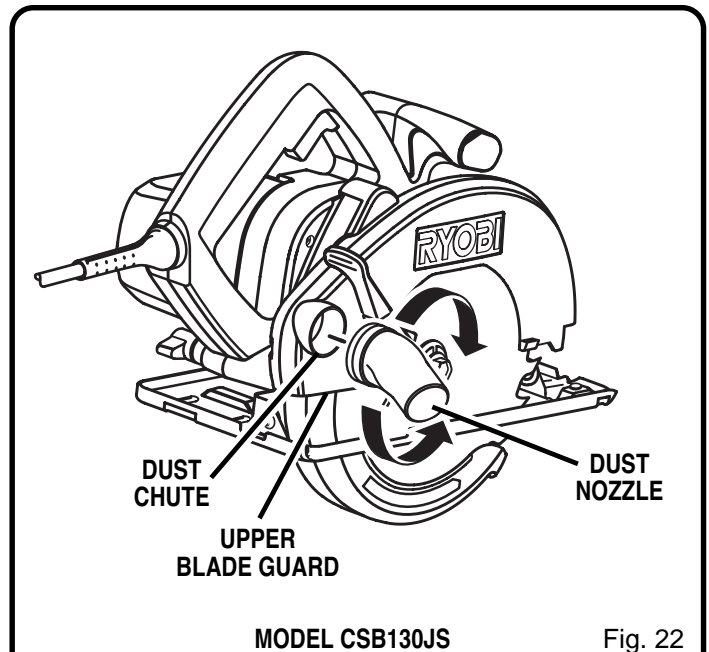


Fig. 22

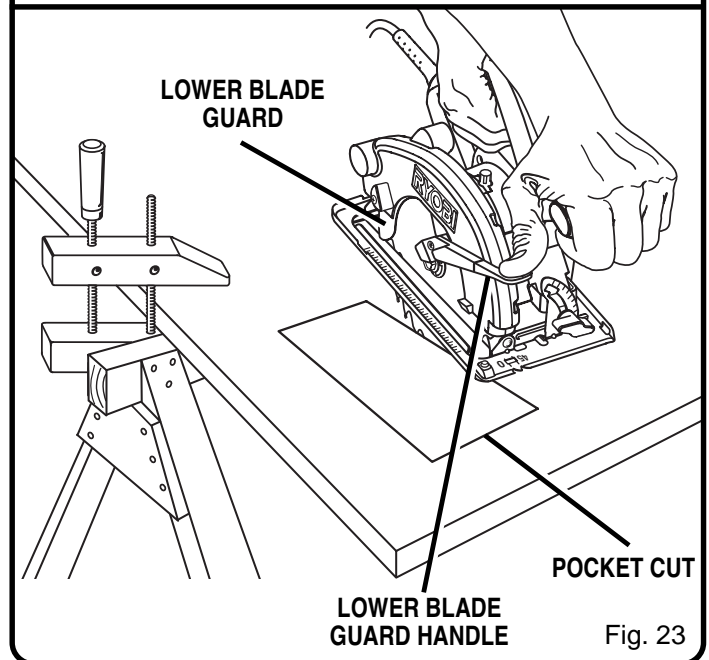


Fig. 23

MAINTENANCE



WARNING:

When servicing use only identical Ryobi replacement parts. Use of any other parts may create a hazard or cause product damage.

GENERAL

Avoid using solvents when cleaning plastic parts. Most plastics are susceptible to damage from various types of commercial solvents and may be damaged by their use. Use clean cloths to remove dirt, carbon dust, etc.



WARNING:

Do not at any time let brake fluids, gasoline, petroleum-based products, penetrating oils, etc. come in contact with plastic parts. They contain chemicals that can damage, weaken, or destroy plastic.

When electric tools are used on fiberglass boats, sports cars, wallboard, spackling compounds, or plaster, it has been found that they are subject to accelerated wear and possible premature failure, as the fiberglass chips and grindings are highly abrasive to bearings, brushes, commutators, etc. Consequently, it is not recommended that this tool be used for extended work on any fiberglass material, wallboard, spackling compounds, or plaster. During any use on fiberglass it is extremely important that the tool is cleaned frequently by blowing with an air jet.



WARNING:

Always wear safety goggles or safety glasses with side shields during power tool operation or when blowing dust. If operation is dusty, also wear a dust mask.

LUBRICATION

All of the bearings in this tool are lubricated with a sufficient amount of high grade lubricant for the life of the unit under normal operating conditions. Therefore, no further lubrication is required.

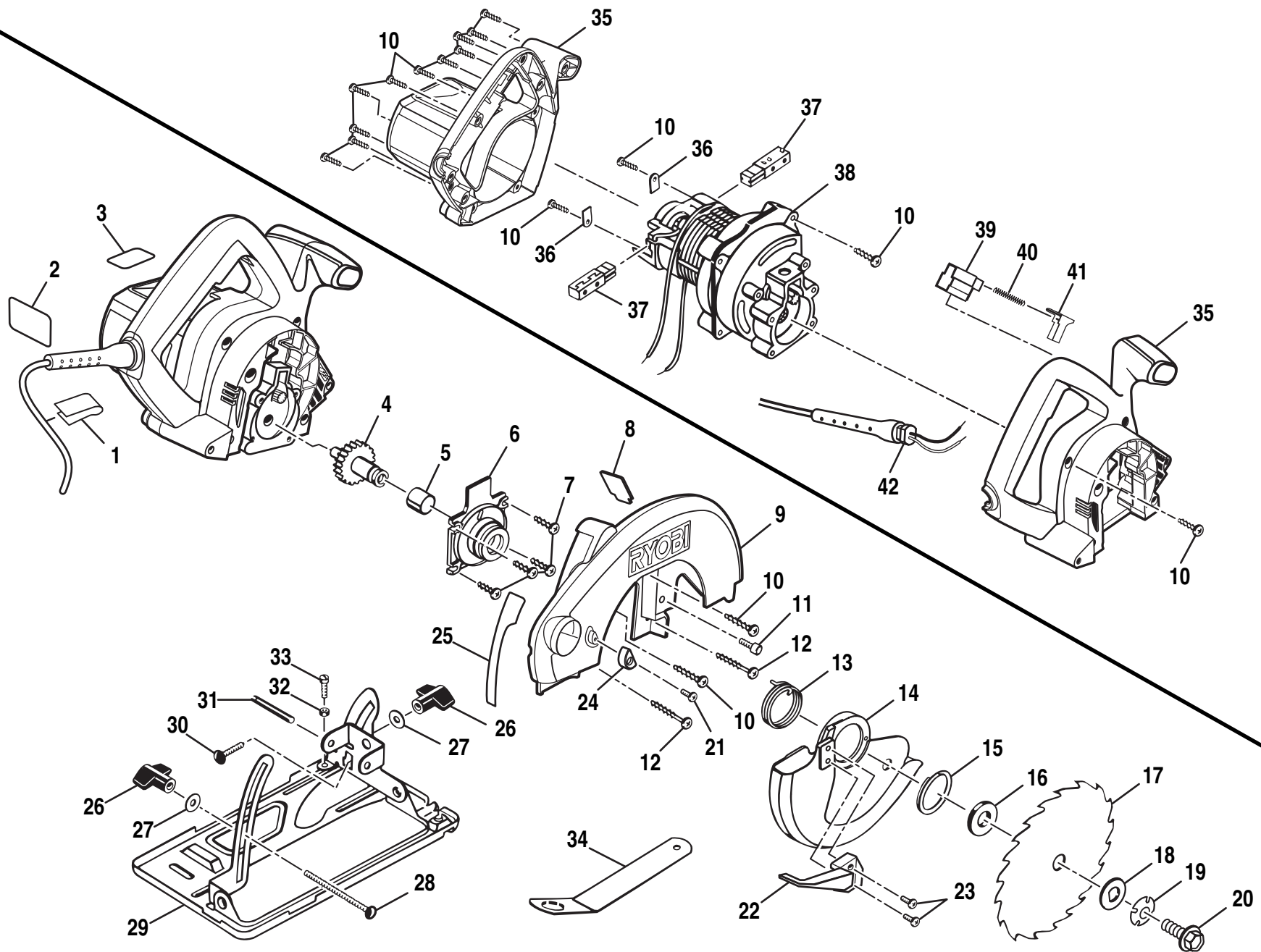
DOUBLE INSULATION

Double insulation is a concept in safety in electric power tools, which eliminates the need for the usual three-wire grounded power cord. All exposed metal parts are isolated from the internal metal motor components with protecting insulation. Double insulated tools do not need to be grounded.

IMPORTANT

Servicing of a tool with double insulation requires extreme care and knowledge of the system and should be performed only by a qualified service technician. For service, we suggest you return the tool to your nearest **RYOBI AUTHORIZED SERVICE CENTER** for repair.

RYOBI CIRCULAR SAW – MODEL NUMBER CSB120



RYOBI CIRCULAR SAW – MODEL NUMBER CSB120

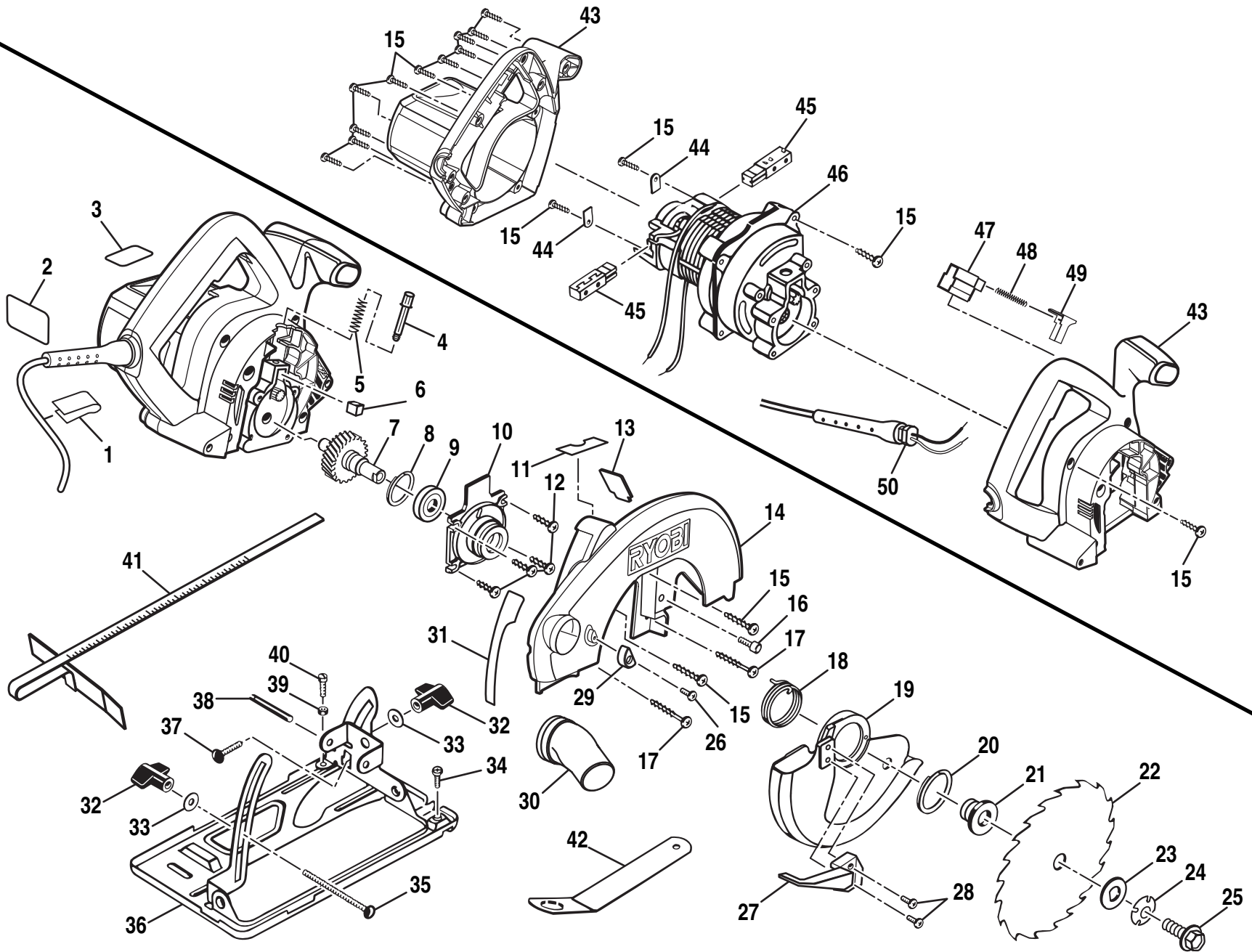
The model number will be found on a plate attached to the motor housing. Always mention the model number in all correspondence regarding your **CIRCULAR SAW** or when ordering repair parts.

PARTS LIST

Key No.	Part Number	Description	Quan.	Key No.	Part Number	Description	Quan.
1	980648-001	Cord Tag	1	22	976906-001	Blade Guard Handle	1
2	976983-001	Data Plate	1	23	615954-003	Screw (#8-18 x 3/8 in. Pan Hd. T. F.)	2
3	976985-001	Logo Plate	1	24	976907-001	Bumper	1
4	968308-009	Gear and Spindle.....	1	25	976989-001	Scale Decal	1
5	999637-002	Bearing	1	26	979848-001	Adjustment Knob	2
6	969373-002	Lower Blade Guard Support	1	27	931744-059	Flat Washer	2
7	974999-001	Screw (#10-16 x 3/4 in. Pan Hd.)	4	28	621433-018	Carriage Bolt (1/4-20 x 3-3/4 in.)	1
8	976988-002	Shield.....	1	29	974802-002	Base Assembly	1
9	977500-002	Upper Blade Guard Assembly	1	30	621433-001	Carriage Bolt (1/4-20 x 5/8 in.)	1
10	968702-011	Screw (#8-16 x 3/4 in. Pan Hd.)	17	31	941401-004	Roll Pin	1
11	968526-001	Screw (#10-32 x 3/8 in. Socket Hd.)	1	32	706404-007	Hex Nut (#8-32)	1
12	617966-023	Screw (#8-10 x 2-5/8 in. Pan Hd.)	2	33	614658-010	Screw (#8-32 x 3/8 in. Pan Hd.)	1
13	967952-001	Torsion Spring	1	34	974716-001	Wrench (9/16 in.)	1
14	974771-002	Lower Blade Guard.....	1	35	974546-002	Housing Assembly	1
15	718602-804	Retaining Ring	1	36	617800-002	Brush Tube Clamp	2
16	999982-001	Inner Blade Washer	1	37	968304-009	Brush Tube Assembly	2
17	971570-002	Blade	1	38	969807-005	Motor Module Assembly (Includes One of Key No. 10)	1
18	998463-001	Outer Blade Washer	1	39	968303-103	Switch	1
19	623547-002	Spring Washer	1	40	974565-001	Compression Spring	1
20	612999-001	Blade Screw (3/8-16 x 3/4 in. Washer Hd.)	1	41	974545-002	Switch Trigger.....	1
21	090404-080	Screw (M4 x 8 Pan Hd.)	1	42	999506-008	Cord	1
					972000-508	Owner's Manual	

WARNING: Improper repair of a double insulated tool can result in damages to the double insulation system possibly causing electrical shock or electrocution. Any repairs requiring disassembly of your tool requires safety testing and should only be performed by an Authorized Service Center or other qualified service organization.

RYOBI CIRCULAR SAW – MODEL NUMBERS CSB130 / CSB130JS



RYOBI CIRCULAR SAW – MODEL NUMBERS CSB130 AND CSB130JS

The model number will be found on a plate attached to the motor housing. Always mention the model number in all correspondence regarding your **CIRCULAR SAW** or when ordering repair parts.

PARTS LIST

Key No.	Part Number	Description	Quan.	Key No.	Part Number	Description	Quan.
1	980648-001	Cord Tag.....	1	27	976906-002	Blade Guard Handle	1
2	980475-001	Data Plate (Model CSB130)	1	28	615954-003	Screw (#8-18 x 3/8 in. Pan Hd. T. F.)	2
	976984-001	Data Plate (Model CSB130JS)	1	29	976907-001	Bumper	1
3	976985-001	Logo Plate (Model CSB130)	1	30	976909-001	Dust Nozzle (Model CSB130JS)	1
	980476-001	Logo Plate (Model CSB130JS)	1	31	976989-001	Scale Decal	1
4	976987-001	Gear Rack Shaft	1	32	979848-001	Adjustment Knob	2
5	621342-000	Spring	1	33	931744-059	Washer	2
6	968906-001	Gear Rack	1	34	969778-001	Screw (#10-32 x 3/8 in. Pan Hd. Comb.) (Model CSB130JS)	1
7	968308-010	Gear and Spindle.....	1	35	621433-018	Carriage Bolt (1/4-20 x 3-3/4 in.)	1
8	617096-002	Retaining Ring	1	36	974802-002	Base Assembly	1
9	968305-007	Ball Bearing (NTN#6003LLBC3/1E)	1	37	621433-001	Carriage Bolt (1/4-20 x 5/8 in.)	1
10	968091-002	Lower Blade Guard Support	1	38	941401-004	Roll Pin	1
11	976986-001	Spindle Lock Decal	1	39	706404-007	Hex Nut (#8-32)	1
12	974999-001	Screw (#10-16 x 3/4 in. Pan Hd.)	4	40	614658-010	Screw (#8-32 x 3/8 in. Pan Hd.)	1
13	976988-001	Shield.....	1	41	969862-009	Edge Guide (Model CSB130JS)	1
14	977500-001	Upper Blade Guard Assembly	1	42	974716-001	Wrench (9/16 in.)	1
15	968702-011	Screw (#8-16 x 3/4 in. Pan Hd.)	17	43	974547-002	Housing Assembly	1
16	968526-001	Screw (#10-32 x 3/8 in. Socket Hd.)	1	44	617800-002	Brush Tube Clamp.....	2
17	617966-023	Screw (#8-10 x 2-5/8 in. Pan Hd.)	3	45	968304-009	Brush Tube Assembly	2
18	967952-001	Torsion Spring	1	46	969807-004	Motor Module Assembly (Includes One of Key No. 15)	1
19	974771-002	Lower Blade Guard.....	1	47	968303-103	Switch	1
20	718602-804	Retaining Ring	1	48	974565-001	Compression Spring	1
21	967887-003	Inner Flange Bushing	1	49	974545-002	Switch Trigger.....	1
22	972443-002	Blade	1	50	999506-008	Cord	1
23	998463-001	Outer Blade Washer	1	51	980372-001	Carrying Case - Not Shown (CSB130JS and CSB130K)	1
24	623547-002	Spring Washer	1		972000-508	Owner's Manual	
25	612999-001	Blade Screw (3/8-16 x 3/4 in. Washer Hd.)	1				
26	090404-080	Screw (M4 X 8 Pan Hd.)	1				

WARNING: Improper repair of a double insulated tool can result in damages to the double insulation system possibly causing electrical shock or electrocution. Any repairs requiring disassembly of your tool requires safety testing and should only be performed by an Authorized Service Center or other qualified service organization.



OPERATOR'S MANUAL

7-1/4 in. (184 mm) Circular Saw

Model CSB120, CSB130, or CSB130JS

DOUBLE INSULATED

EXTENSION CORD CAUTION

When using a power tool at a considerable distance from a power source, be sure to use an extension cord that has the capacity to handle the current the tool will draw. An undersized cord will cause a drop in line voltage, resulting in overheating and loss of power. Use the chart to determine the minimum wire size required in an extension cord. Only round jacketed cords should be used.

When working with a tool outdoors, use an extension cord that is designed for outside use. This is indicated by the letters "WA" on the cord's jacket.

Before using any extension cord, inspect it for loose or exposed wires and cut or worn insulation.

**Ampere rating

(on tool data plate) 0-2.0 2.1-3.4 3.5-5.0 5.1-7.0 7.1-12.0 12.1-16.0

Cord Length	Wire Size (A.W.G.)					
25'	16	16	16	16	14	14
50'	16	16	16	14	14	12
100'	16	16	14	12	10	—

CAUTION:

Keep the extension cord clear of the working area. Position the cord so that it will not get caught on workpiece, tools, or other obstructions while you are working with a power tool.

***Used on 12-gauge, 20 amp circuit.*

• SERVICE

Now that you have purchased your tool, should a need ever exist for repair parts or service, simply contact your nearest Ryobi Authorized Service Center. Be sure to provide all pertinent facts when you call or visit. Please refer to the Service Center insert or call 1-800-525-2579 in the United States or 1-800-265-6778 in Canada for your nearest Ryobi Authorized Service Center. You can also check our web site at www.ryobi.com for a complete list of Authorized Service Centers.

• MODEL NO. AND SERIAL NO.

The model number and serial number of this tool will be found on a plate attached to the motor housing. Please record the serial number in the space provided below.

• MODEL NUMBER CSB120, CSB130, or CSB130JS

• SERIAL NUMBER _____

RYOBI TECHNOLOGIES INC.

1428 Pearman Dairy Road Anderson, SC 29625
Post Office Box 1207 Anderson, SC 29622-1207
Phone 1-800-525-2579

RYOBI TECHNOLOGIES INC.

Post Office Box 910
Cambridge, Ontario N1R 6K2
Phone 1-800-265-6778

Free Manuals Download Website

<http://myh66.com>

<http://usermanuals.us>

<http://www.somanuals.com>

<http://www.4manuals.cc>

<http://www.manual-lib.com>

<http://www.404manual.com>

<http://www.luxmanual.com>

<http://aubethermostatmanual.com>

Golf course search by state

<http://golfingnear.com>

Email search by domain

<http://emailbydomain.com>

Auto manuals search

<http://auto.somanuals.com>

TV manuals search

<http://tv.somanuals.com>