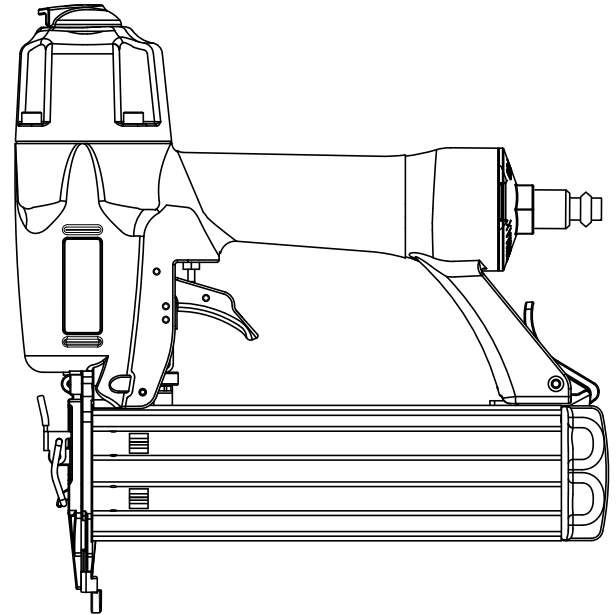




**OPERATOR'S MANUAL**  
**MANUEL D'UTILISATION**  
**MANUAL DEL OPERADOR**  
**18 GAUGE BRAD NAILER**  
**CALIBRE 18, CLOUEUSE DE FINITION**  
**CALIBRE 18, CLAVADORA DE PUNTILLAS**

**YN200BND**



Your brad nailer has been engineered and manufactured to our high standard for dependability, ease of operation, and operator safety. When properly cared for, it will give you years of rugged, trouble-free performance.

**WARNING:** To reduce the risk of injury, the user must read and understand the operator's manual before using this product. If you do not understand the warnings and instructions in the operator's manual, do not use this product.

**SAVE THIS MANUAL FOR FUTURE REFERENCE**

Cette cloueuse de finition a été conçue et fabriquée conformément à nos strictes normes de fiabilité, simplicité d'emploi et sécurité d'utilisation. Correctement entretenue, elle vous donnera des années de fonctionnement robuste et sans problème.

**AVERTISSEMENT :** Pour réduire les risques de blessures, l'utilisateur doit lire et veiller à bien comprendre le manuel d'utilisation avant d'employer ce produit. Si tous les avertissements et toutes les consignes de sécurité et instructions du manuel d'utilisation ne sont pas bien compris, ne pas utiliser ce produit.

Su clavadora de puntillas ha sido diseñada y fabricada de conformidad con las estrictas normas para brindar fiabilidad, facilidad de uso y seguridad para el operador. Con el debido cuidado, le brindará muchos años de sólido y eficiente funcionamiento.

**ADVERTENCIA:** Para reducir el riesgo de lesiones, el usuario debe leer y comprender el manual del operador antes de usar este producto. Guarde este manual del operador y estúdielo frecuentemente para lograr un funcionamiento seguro y continuo de este producto

**CONSERVER CE MANUEL POUR  
FUTURE RÉFÉRENCE**

**GUARDE ESTE MANUAL PARA  
FUTURAS CONSULTAS**

# TABLE OF CONTENTS

■ Introduction.....	2
■ Warranty .....	2
■ General Safety Rules .....	3
■ Specific Safety Rules.....	4-5
■ Symbols.....	6
■ Glossary of Terms.....	7
■ Features.....	8
■ Assembly .....	8
■ Operation.....	9-11
■ Maintenance .....	12-13
■ Accessories .....	13
■ Troubleshooting .....	14
■ Figure numbers (illustrations).....	15-16
■ Customer Service Information.....	Back Page

## INTRODUCTION

This product has many features for making its use more pleasant and enjoyable. Safety, performance, and dependability have been given top priority in the design of this product, making it easy to maintain and operate.

## WARRANTY

### RYOBI® POWER TOOL - LIMITED TWO YEAR WARRANTY AND 30 DAY EXCHANGE POLICY

One World Technologies, Inc., warrants its RYOBI® power tools with the following conditions:

**30-DAY EXCHANGE POLICY:** During the first 30 days after date of purchase, you may either request service under this warranty or you may exchange any RYOBI® power tool which does not work properly due to defective workmanship or materials by returning the power tool to the dealer from which it was purchased. To receive a replacement power tool or requested warranty service, you must present proof of purchase and return all original equipment packaged with the original product. The replacement power tool will be covered by the limited warranty for the balance of the two year period from the date of the original purchase.

**WHAT THIS WARRANTY COVERS:** This warranty covers all defects in workmanship or materials in your RYOBI® power tool for a period of two years from the date of purchase. With the exception of batteries, power tool accessories are warranted for ninety (90) days. Batteries are warranted for two years.

**HOW TO GET SERVICE:** Just return the power tool, properly packaged and postage prepaid, to an Authorized Service Center. You can obtain the location of the Service Center nearest you by contacting a service representative at One World Technologies, Inc., P.O. Box 1207, Anderson, SC 29622-1207, by calling 1-800-525-2579 or by logging on to [www.ryobitools.com](http://www.ryobitools.com). When you request warranty service, you must also present proof of purchase documentation, which includes the date of purchase (for example, a bill of sale). We will repair any faulty workmanship, and either repair or replace any defective part, at our option. We will do so without any charge to you. We will complete the work in a reasonable time, but, in any case, within ninety (90) days or less.

**WHAT'S NOT COVERED:** This warranty applies only to the original purchaser at retail and may not be transferred. This warranty only covers defects arising under normal usage and does not cover any malfunction, failure or defects resulting from misuse, abuse, neglect, alteration, modification or repairs by other than Authorized Service Centers. One World Technologies, Inc. makes no warranties, representations or promises as to the quality or performance of its power tools other than those specifically stated in this warranty.

**ADDITIONAL LIMITATIONS:** Any implied warranties granted under state law, including warranties of merchantability or fitness for a particular purpose, are limited to two years from the date of purchase. One World Technologies, Inc. is not responsible for direct, indirect, or incidental damages, so the above limitations and exclusions may not apply to you. This warranty gives you specific legal rights, and you may also have other rights which vary from state to state.

# GENERAL SAFETY RULES

## **DANGER:**

**READ AND UNDERSTAND TOOL LABELS AND MANUAL.** Failure to follow warnings could result in DEATH or SERIOUS INJURY.

## SAVE THESE INSTRUCTIONS

### WORK AREA

- **Keep your work area clean and well lit.** Cluttered benches and dark areas invite accidents.
- **Do not operate power tools in explosive atmospheres, such as in the presence of flammable liquids, gases, or dust.** Power tools create sparks which may ignite the dust or fumes.
- **Keep bystanders, children, and visitors away while operating a power tool.** Distractions can cause you to lose control.

### PERSONAL SAFETY

- **Eye protection which conforms to ANSI specifications and provides protection against flying particles both from the FRONT and SIDE should ALWAYS be worn by the operator and others in the work area when loading, operating or servicing this tool.** Eye protection is required to guard against flying fasteners and debris, which could cause severe eye injury.
- **The employer and/or user must ensure that proper eye protection is worn.** We recommend Wide Vision Safety Mask for use over eyeglasses or standard safety glasses that provide protection against flying particles both from the front and side. Always use eye protection which is marked to comply with ANSI Z87.1.
- **Additional safety protection will be required in some environments.** For example, the working area may include exposure to noise level which can lead to hearing damage. The employer and user must ensure that any necessary hearing protection is provided and used by the operator and others in the work area. Some environments will require the use of head protection equipment. When required, the employer and user must ensure that head protection conforming to ANSI Z89.1-1997 is used.
- **Stay alert, watch what you are doing and use common sense when operating a power tool. Do not use tool while tired or under the influence of drugs, alcohol, or medication.** A moment of inattention while operating power tools may result in serious personal injury.
- **Dress properly. Do not wear loose clothing or jewelry. Contain long hair. Keep your hair, clothing, and gloves away from moving parts.** Loose clothes, jewelry, or long hair can be caught in moving parts.
- **Keep fingers away from trigger when not driving fasteners to avoid accidental firing.**

- **Do not overreach. Keep proper footing and balance at all times.** Proper footing and balance enables better control of the tool in unexpected situations.
- **Use safety equipment. Always wear eye protection.** Dust mask, nonskid safety shoes, hard hat, or hearing protection must be used for appropriate conditions.
- **Do not use on a ladder or unstable support.** Stable footing on a solid surface enables better control of the tool in unexpected situations.

### TOOL USE AND CARE

- **Do not force tool. Use the correct tool for your application.** The correct tool will do the job better and safer at the rate for which it is designed.
- **Do not use tool if trigger does not actuate properly.** Any tool that cannot be controlled with the trigger is dangerous and must be repaired.
- **Check operation of the workpiece contact mechanism frequently.** Do not use the tool if the workpiece contact mechanism is not working correctly as accidental driving of a fastener may result. Do not interfere with the proper operation of the workpiece contact mechanism.
- **Store idle tools out of the reach of children and other untrained persons.** Tools are dangerous in the hands of untrained users.
- **Maintain tools with care.** Follow maintenance instructions. Properly maintained tools are easier to control.
- **Check for misalignment or binding of moving parts, breakage of parts, and any other condition that may affect the tool's operation. If damaged, have the tool serviced before using.** Many accidents are caused by poorly maintained tools.
- **Use only fasteners that are recommended for your model.**
- **Keep the tool and its handle dry, clean and free from oil and grease.** Always use a clean cloth when cleaning. Never use brake fluids, gasoline, petroleum-based products, or any strong solvents to clean your tool. Following this rule will reduce the risk of loss of control and deterioration of the enclosure plastic.

### SERVICE

- **Tool service must be performed only by qualified repair personnel.** Service or maintenance performed by unqualified personnel may result in a risk of injury.
- **When servicing a tool, use only identical replacement parts. Follow instructions in the Maintenance section of this manual.** Use of unauthorized parts or failure to follow Maintenance instructions may create a risk of injury.

# SPECIFIC SAFETY RULES

- **Know your pneumatic tool.** Read operator's manual carefully. Learn its applications and limitations, as well as the specific potential hazards related to this tool. Following this rule will reduce the risk of electric shock, fire, or serious injury.
- **Always wear eye protection with side shields marked to comply with ANSI Z87.1 along with hearing and head protection.** Failure to do so could result in objects being thrown into your eyes and other possible serious injuries.
- **Protect your lungs.** Wear a face or dust mask if the operation is dusty. Following this rule will reduce the risk of serious personal injury.
- **Protect your hearing.** Wear hearing protection during extended periods of operation. Following this rule will reduce the risk of serious personal injury.
- **Make sure the hose is free of obstructions or snags.** Entangled or snarled hoses can cause loss of balance or footing and may become damaged.
- **Use the tool only for its intended use.** Do not discharge fasteners into open air.
- **Use the pneumatic tool only for the purpose for which it was designed.**
- **Use only the fasteners recommended for this tool.** Use of the wrong fasteners could result in poor fastener feeding, jammed fasteners, and nails leaving the tool at erratic angles. If fasteners are not feeding smoothly and properly, discontinue their use immediately. Jammed and improperly feeding fasteners could result in serious personal injury.
- **Never use this tool in a manner that could cause a fastener to be directed toward anything other than the workpiece.**
- **Do not use the tool as a hammer.**
- **Always carry the tool by the handle.** Never carry the tool by the air hose.
- **Do not alter or modify this tool from the original design or function without approval from the manufacturer.**
- **Always be aware that misuse and improper handling of this tool can cause injury to yourself and others.**
- **Never clamp or tape the trigger or workpiece contact in an actuated position.**
- **Never leave a tool unattended with the air hose attached.**
- **Do not operate this tool if it does not contain a legible warning label.**
- **Do not continue to use a tool that leaks air or does not function properly.**

## OPERATION

- **Always assume that the tool contains fasteners.**
- **Do not carry the tool from place to place holding the trigger.** Accidental discharge could result.
- **Always handle the tool with care:**
  - Respect the tool as a working implement.
  - Never engage in horseplay.
  - Never pull the trigger unless nose is directed toward the work.
  - Keep others a safe distance from the tool while tool is in operation as accidental actuation may occur, possibly causing injury.
- **Choice of triggering method is important. Check manual for triggering options.**
- **Pneumatic tools are designed for single-hand use.** Do not hold the tool by the front of the magazine. Do not put hands, head, or other parts of your body near the bottom of the magazine where the nail exits the tool, as serious personal injury could result.
- **Do not point the tool toward yourself or anyone whether it contains fasteners or not.**
- **Do not actuate the tool unless you intend to drive a fastener into the workpiece.**
- **Always ensure that the workpiece contact is fully positioned on the workpiece.** Positioning the work contact element only partially on the workpiece could cause the fastener to miss the workpiece completely and result in serious personal injury.
- **Do not drive fasteners near edge of material.** The workpiece may split causing the fastener to ricochet, injuring you or a co-worker. Be aware that the nail or fastener may follow the grain of the wood, causing it to protrude unexpectedly from the side of the work material.
- **Keep hands and body parts clear of immediate work area.** Hold workpiece with clamps when necessary to keep hands and body out of potential harm. Be sure the workpiece is properly secured before pressing the nailer against the material. The workpiece contact may cause the work material to shift unexpectedly.
- **Keep face and body parts away from back of the tool cap when working in restricted areas.** Sudden recoil can result in impact to the body, especially when nailing into hard or dense material.

# SPECIFIC SAFETY RULES

- **During normal use the tool will recoil immediately after driving a fastener. This is a normal function of the tool.** Do not attempt to prevent the recoil by holding the nailer against the work. Restriction to the recoil can result in a second fastener being driven from the nailer. Grip the handle firmly and let the tool do the work. Failure to heed this warning can result in serious personal injury.
- **Do not drive fasteners on top of other fasteners or with the tool at an overly steep angle as this may cause deflection of fasteners which could cause injury.**
- **Do not drive fasteners close to the edge of the workpiece as the wood may split, allowing the fastener to be deflected possibly causing injury.**

## AIR SUPPLY AND CONNECTIONS

- **Do not use oxygen, combustible gases or bottled gases as a power source for this tool as tool will explode, possibly causing injury or death.**
- **Do not use with an air compressor which can potentially exceed 200 psi as tool may burst, possibly causing injury.**
- **The connector on the tool must not hold pressure when air supply is disconnected.** If an incorrect fitting is used, the tool can remain charged with air after disconnecting and thus will be able to drive a fastener even after the air line is disconnected, possibly causing injury.

## Always disconnect air supply:

- Before making adjustments
- When servicing the tool
- When clearing a jam
- When tool is not in use
- When moving to a different work area, as accidental actuation may occur, possibly causing injury.

## LOADING TOOL

- **Do not load the tool with fasteners when any one of the operating controls is activated.**

### When loading tool:




- **Never place a hand or any part of body in fastener discharge area of tool.**
- **Never point tool at anyone.**
- **Do not pull the trigger or depress the workpiece contact as accidental actuation may occur, possibly causing injury.**

## SAVE THESE INSTRUCTIONS






- Refer to them frequently and use them to instruct others who may use this tool. If you loan someone this tool, loan them these instructions also.

# SYMBOLS

The following signal words and meanings are intended to explain the levels of risk associated with this product.

SYMBOL	SIGNAL	MEANING
	<b>DANGER:</b>	Indicates an imminently hazardous situation, which, if not avoided, will result in death or serious injury.
	<b>WARNING:</b>	Indicates a potentially hazardous situation, which, if not avoided, could result in death or serious injury.
	<b>CAUTION:</b>	Indicates a potentially hazardous situation, which, if not avoided, may result in minor or moderate injury.
	<b>CAUTION:</b>	(Without Safety Alert Symbol) Indicates a situation that may result in property damage.

Some of the following symbols may be used on this tool. Please study them and learn their meaning. Proper interpretation of these symbols will allow you to operate the tool better and safer.

SYMBOL	NAME	DESIGNATION/EXPLANATION
	Safety Alert	Indicates a potential personal injury hazard.
	Eye, Ear and Head Protection	Always wear eye protection with side shields marked to comply with ANSI Z87.1 along with hearing and head protection.
	Keep Hands Away	Keep hands and body away from the discharge area of the tool.
	Read The Operator's Manual	To reduce the risk of injury, user must read and understand operator's manual before using this product.
	Hot Surface	To reduce the risk of injury or damage, avoid contact with any hot surface.



# GLOSSARY OF TERMS

**Activate (operating controls)**

To move an operating control so that it is in a position that allows the tool to be actuated or that satisfies one requirement for the tool to be actuated.

**Actuate (tool)**

To cause movement of the tool component(s) intended to drive a fastener.

**Air inlet port**

In an air tool, the opening to which the compressed air supply is connected, usually by means of a threaded fitting.

**Fastener**

A staple, pin, brad, nail, or other fastening device which is designed and manufactured for use in the tools within the scope of this standard.

**Jam**

An obstruction in the feed or drive areas of the tool.

**Maximum air pressure**

The maximum allowable pressure of the compressed air, as specified by the manufacturer, for operating a tool.

**Operating control**

A control that separately, or as part of an actuation system, can cause the actuation of a tool.

**Single sequential actuation**

An actuation system in which there is more than one operating control and the operating controls must be activated in a specific sequence to actuate the tool. Additional actuation can occur when a specific operating control, other than a workpiece contact, is released and re-activated.

**Trigger**

A tool operating control activated by a tool operator's fingers.

**Workpiece**

The intended object into which a fastener is to be driven by a tool.

**Workpiece contact**

An operating control element or assembly on the tool intended to be activated by the material to be fastened.

# FEATURES

## PRODUCT SPECIFICATIONS

Operating Pressure..... 70-120 psi  
Fastener Type..... 18 gauge brad nails  
Fastener Range..... 5/8 in. to 2 in.  
Magazine Capacity..... 110 nails

Air Consumption..... 0.05 ft<sup>3</sup>/cycle at 100 psi  
Air Inlet ..... 1/4 in. NPT  
Weight ..... 2.9 lbs.

## KNOW YOUR BRAD NAILER

See Figure 1, page 15.

The safe use of this product requires an understanding of the information on the product and in this operator's manual as well as a knowledge of the project you are attempting. Before use of this product, familiarize yourself with all operating features and safety rules.

## ADJUSTABLE EXHAUST

The exhaust can be adjusted to a variety of positions depending on operator preference.

## DEPTH OF DRIVE ADJUSTMENT

The tool-free depth of drive adjustment lets the operator select precise driving depth of the fastener.

## JAM RELEASE

A tool-free jam release is provided for ease in clearing infrequent jams.

## NO-MAR PAD

The no-mar nosepiece prevents marring and denting when using the tool on softer woods.

## SIDE-LOADING MAGAZINE

The side-loading magazine allows easy three-step loading of fasteners.

## TRIGGER

Your brad nailer is equipped with a single sequential fire trigger.

# ASSEMBLY

## UNPACKING

This product has been shipped completely assembled.

- Carefully remove the product and any accessories from the box. Make sure that all items listed in the packing list are included.

### **WARNING:**

Do not use this product if it is not completely assembled or if any parts appear to be missing or damaged. Use of a product that is not properly and completely assembled could result in serious personal injury.

- Inspect the product carefully to make sure no breakage or damage occurred during shipping.
- Do not discard the packing material until you have carefully inspected and satisfactorily operated the product.
- If any parts are damaged or missing, please call 1-800-525-2579 for assistance.

## PACKING LIST

Brad Nailer  
Oil  
Sample Fasteners  
Hex Keys (3 mm and 4 mm)  
Operator's Manual

### **WARNING:**

Do not use this product if it is not completely assembled or if any parts appear to be missing or damaged. Use of a product that is not properly and completely assembled could result in serious personal injury.

### **WARNING:**

Do not attempt to modify this product or create accessories not recommended for use with this product. Any such alteration or modification is misuse and could result in a hazardous condition leading to possible serious personal injury.



# OPERATION

## **DANGER:**

Do not use oxygen, combustible gases or bottled gases as a power source for this tool. The tool will explode and cause death or serious injury.

## **WARNING:**

Do not allow familiarity with tools to make you careless. Remember that a careless fraction of a second is sufficient to inflict severe injury.

## **WARNING:**

Always wear eye protection with side shields marked to comply with ANSI Z87.1 along with hearing and head protection. Failure to do so could result in objects being thrown into your eyes and other possible serious injuries.

## **WARNING:**

Disconnect the tool from the air supply before leaving the work area, moving the tool to another location, or handing the tool to another person. Failure to do so could result in serious personal injury.

## APPLICATIONS

You may use this tool for the purposes listed below:

- Finish and Trim (interior and exterior)
- Decorative Trim
- Book Cases
- Baseboard
- Cabinets
- Case Backs
- Drawers
- Molding
- Mirror and Picture Frames
- Paneling
- Shoe & Base Moldings
- Staircases
- Upholstery Trim Panels
- Wainscoting
- Window Beading
- Chair Rail
- Furniture Frames
- Lattice Strip Molding
- Nailable Plastic Parts
- Crafts

## **WARNING:**

Always wear eye protection. Eye protection does not fit all operators in the same way. Make sure the eye protection chosen has side shields or provides protection from flying debris both from the front and sides.

## PREPARING THE TOOL FOR USE

See Figure 2, page 15.

Under normal use conditions, the tool should be lubricated before connecting the tool to an air supply. Add air tool oil into the air fitting on the tool once daily with minimal use, or twice a day with heavy use. Only a few drops of oil at a time is necessary. Too much oil will only collect inside the tool and will be noticeable in the exhaust cycle.

Before connecting the tool, check the air compressor gauge to be sure it is functioning within the proper range of 70-120 psi.

## NO-MAR NOSEPIECE

See Figure 3, page 15.

The no-mar nosepiece attached to the workpiece contact of the tool helps prevent marring and denting when working with softer woods.

## **WARNING:**

Disconnect the tool from the air supply before removing or replacing the no-mar nosepiece. Failure to do so could result in serious personal injury.

The no-mar nosepiece can be removed by pulling it down and away from the nose. To replace the no-mar nosepiece, fit it into place over the workpiece contact and push up at the back to reseat.

## ADJUSTING THE EXHAUST

See Figure 4, page 15.

The adjustable exhaust on the end cap of the tool allows the operator to direct the exhaust according to operator preference. To adjust, turn the exhaust cap until the exhaust blows in the desired direction.

# OPERATION

## **WARNING:**

Disconnect the tool from the air supply before leaving the work area, moving the tool to another location, or handing the tool to another person. Failure to do so could result in serious personal injury.

## **CONNECTING THE TOOL TO AN AIR SUPPLY**

See Figure 5, page 15.

## **DANGER:**

Do not use oxygen, combustible gases or bottled gases as a power source for this tool. The tool will explode and cause death or serious injury.

This tool is designed to operate on clean, dry compressed air at regulated pressures between 70 and 120 psi. The correct air pressure is the lowest pressure that will do the job.

**NOTE:** Air pressure that is higher than 120 psi may damage the tool.

The tool must have an air fitting that allows all pressure to discharge from the tool when the air hose connector is disconnected.

## **WARNING:**

Always use an air fitting that discharges all the compressed air in the tool at the time the air fitting and air hose connector is disconnected. Using an air fitting that does not discharge the compressed air could cause unintended operation and serious personal injury.

## **WARNING:**

Do not climb rigging or scaffolding while carrying a tool that is connected to an air hose. Doing so could result in serious personal injury.

Connect the tool to the air supply with a 1/4 in. female quick connector.

## **LOADING THE TOOL WITH NAILS**

See Figures 6 - 7, page 15 - 16.

- Connect the tool to the air supply.

## **WARNING:**

The tool's driving mechanism may cycle when the tool is first connected to the air supply. Always connect the tool to the air supply before loading nails to prevent injury from unintended cycling. Always make sure the tool's magazine is empty at the beginning of each work session, before connecting to an air supply.

## **WARNING:**

Keep the tool pointed away from yourself and others when loading nails. Failure to do so could result in possible serious personal injury.

## **WARNING:**

Use only the nails recommended for use with this tool. The use of any other nails can result in tool malfunction, leading to serious injuries.

## **WARNING:**

Never load nails with the workpiece contact or trigger activated. Doing so could result in possible serious personal injury.

- Push the latch to release and open the magazine.
- With the nose of the tool pointed away from you, insert a strip of nails into the magazine. Be sure the nails are pointed downward.

## **CORRECT NAIL POSITION**

- Nails should always be inserted with the points downward, fitting into the nail track, or as close as possible to the nail track.
- Nail heads must sit either on the top edge of a rib or inside a track between two ribs.
- Nail heads should never lie on top of a rib without sitting on the rib edge. Do not position nail heads in the center of a rib.
- The strip of nails should not be centered in the magazine or positioned at the top portion of the magazine.
- If the nail points will not sit inside the track without sitting incorrectly on a rib, move the nail strip up slightly until the heads sit on the top edge of a rib.
- To close the magazine, depress the latch and push the magazine forward. Release the latch and make sure the latch is securely locked into place before driving a nail.

# OPERATION

## DRIVING A FASTENER

See Figure 8, page 16.

### WARNING:

Never wedge or hold back the workpiece contact mechanism during operation of the tool. Doing so could result in possible serious injury.

## SINGLE SEQUENTIAL ACTUATION

Single sequential actuation provides accurate fastener placement.

- Connect the tool to the air supply.
- Grip the tool firmly to maintain control. Position the nose of the tool onto the work surface.
- Push the tool against the work surface to depress the workpiece contact.
- Pull the trigger to drive a fastener.
- Allow the tool to recoil away from the work surface as the fastener is driven.

### WARNING:

During normal use the tool will recoil immediately after driving a fastener. This is a normal function of the tool. Do not attempt to prevent the recoil by holding the nailer against the work. Restriction to the recoil can result in a second fastener being driven from the nailer. Grip the handle firmly, let the tool do the work, and do not place second hand on top of tool or near exhaust at any time. Failure to heed this warning can result in serious personal injury.

## SETTING THE AIR PRESSURE

The amount of air pressure required will depend on the size of the nail and the workpiece material.

Begin testing the depth of drive by driving a test nail into the same type of workpiece material used for the actual job.

Drive a test nail with the air pressure set at 90-95 psi. Raise or lower the air pressure to find the lowest setting that will perform the job with consistent results.

It may be possible to achieve the desired depth with air pressure adjustments alone. If finer adjustments are needed, use the drive depth adjustment on the tool.

## DRIVE DEPTH ADJUSTMENT

See Figure 9, page 16.

The driving depth of the nail may be adjusted. It is advisable to test the depth on a scrap workpiece to determine the required depth for the application.

To determine depth of drive, first adjust the air pressure and drive a test nail. To achieve the desired depth, use the drive depth adjustment on the tool.

- Disconnect the tool from the air supply.
- Turn the depth selector left or right to change the driving depth.
- Reconnect the tool to the air supply.
- Drive a test nail after each adjustment until the desired depth is set.

### WARNING:

Disconnect the tool from the air supply before removing nails. Failure to do so could result in serious personal injury.

## REMOVING NAILS FROM THE TOOL

See Figure 10, page 16.

- Disconnect the tool from the air supply.
- To remove a strip of nails from the tool, depress the latch located at the rear of the magazine and slide the magazine open.
- Remove the nail strip.
- To close the magazine, depress the latch and push the magazine forward. Release the latch to hold the magazine in place.

## CLEARING A JAMMED FASTENER

See Figure 11, page 16.

### WARNING:

Disconnect the tool from the air supply before clearing a jammed fastener. Failure to do so could result in serious personal injury.

If a nail or fastener becomes jammed in the tool, disconnect the air hose and keep the tool pointed away from you while clearing the jam.

- Disconnect the tool from the air supply.
- Open magazine and remove fasteners from the tool.
- Pull up on the latch and open the jam release.
- Insert a flat blade screwdriver into the driving mechanism and push the driver mechanism back, freeing the fastener jam.
- Remove the bent fastener.
- Close the jam release and latch.
- Reconnect the tool to the air supply.
- Reinstall fasteners and close the magazine.

# MAINTENANCE

## **WARNING:**

When servicing use only identical replacement parts. Use of any other parts may create a hazard or cause product damage.

## **WARNING:**

Always wear eye protection with side shields marked to comply with ANSI Z87.1 along with hearing and head protection. Failure to do so could result in objects being thrown into your eyes and other possible serious injuries.

## **WARNING:**

Disconnect the tool from the air supply before performing maintenance. Failure to do so could result in serious personal injury.

## GENERAL MAINTENANCE

Avoid using solvents when cleaning plastic parts. Most plastics are susceptible to damage from various types of commercial solvents and may be damaged by their use. Use clean cloths to remove dirt, dust, oil, grease, etc.

## **WARNING:**

Do not at any time let brake fluids, gasoline, petroleum-based products, penetrating oils, etc., come in contact with plastic parts. Chemicals can damage, weaken or destroy plastic which may result in serious personal injury.

## LUBRICATION

Frequent, but not excessive, lubrication is required for best performance. Oil for pneumatic fastening tools added through the air line connection will lubricate the internal parts. Do not use detergent oil or additives as these lubricants will cause accelerated wear to the seals and bumpers in the tool, resulting in poor tool performance and frequent tool maintenance.

## COLD WEATHER OPERATION

For cold weather operation, near and below freezing, the moisture in the air line may freeze and prevent tool operation. We recommend the use of air tool lubricant or permanent antifreeze (ethylene glycol) as a cold weather lubricant.

## **CAUTION:**

Do not store tools in a cold weather environment to prevent frost or ice formation on the tools' operating valves and mechanisms that could cause tool failure and personal injury.

**NOTE:** Some commercial air line drying liquids are harmful to "O" rings and seals. Do not use these low temperature air dryers without checking compatibility.

## AIR SUPPLY PRESSURE AND VOLUME

Air volume is as important as air pressure. The air volume supplied to the tool may be inadequate because of undersize fittings and hoses, or from the effects of dirt and water in the system. Restricted air flow will prevent the tool from receiving an adequate volume of air, even though the pressure reading is high. The results will be a slow operation or reduced driving power. Before evaluating tool problems for these symptoms, trace the air supply from the tool to the supply source for restrictive connectors, low points containing water and anything else that would prevent full volume flow of air to the tool.

# MAINTENANCE

## REQUIRED DAILY CHECKLIST

- Disconnect the air supply from the tool and remove all fasteners.
- Check all screws, nuts, bolts, and pins on the tool. If any of these are loose, they must be tightened with the appropriate size wrench.
- Press the workpiece contact against a workpiece to ensure that it moves smoothly.
- With the workpiece contact depressed, pull the trigger. The trigger should move smoothly, without binding.
- While the tool is not loaded, connect the appropriate air supply (at 70 psi) to the tool.
- Without pulling the trigger, press the workpiece contact against a workpiece several times. The tool must not operate. No air should leak from the tool.
- With the workpiece contact not engaged on the workpiece, point the tool down and away and pull the trigger several times. Hold the trigger in this position for a minimum of 5 seconds. The tool must not operate.
- Press the workpiece contact firmly against the workpiece. Pull the trigger. The tool must operate.
- With the workpiece contact still depressed, release the trigger. The driver must return to its up position.
- If the tool successfully meets all the requirements in this checklist, it is ready for use. Load the proper fasteners for the desired application.
- Set the depth of drive according to the **Drive Depth Adjustment** section in this manual. Repeat this checklist before using the tool each day, or if the tool is dropped or damaged in any way.

# ACCESSORIES

To order parts and maintenance kits, call 1-800-525-2579.

Overhaul Maintenance Kit .....	079023001059
Driver Maintenance Kit .....	019024001022
Driver Assembly Kit .....	079024001701
Oil and Wrench Kit.....	079024001023
Trigger Valve Kit.....	079023001705

### **WARNING:**

Current attachments and accessories available for use with this tool are listed above. Do not use any attachments or accessories not recommended by the manufacturer of this tool. The use of attachments or accessories not recommended can result in serious personal injury.

# TROUBLESHOOTING

<b>PROBLEM</b>	<b>POSSIBLE CAUSE</b>	<b>SOLUTION</b>
Air leak near the top of the tool or in the trigger area	Loose screws Worn or damaged O-rings or seals	Tighten screws Install Overhaul Kit
Air leak near the bottom of the tool	Worn or damaged O-rings or bumper	Install Overhaul Kit
Tool does nothing or operates sluggishly	Inadequate air supply Inadequate lubrication Worn or damaged O-rings or bumper	Verify adequate air supply Lubricate tool Install Overhaul Kit
Tool jams frequently	Incorrect fasteners Damaged fasteners Loose magazine Dirty magazine Worn or damaged driver	Verify that fasteners are the correct size Replace fasteners Tighten screws Clean magazine Install Driver Maintenance Kit

**NOTE: FIGURES (ILLUSTRATIONS) START ON PAGE 15 AFTER SPANISH LANGUAGE SECTION.**

# TABLE DES MATIÈRES

■ Introduction .....	2
■ Garantie .....	2
■ Règles de sécurité générales .....	3
■ Règles de sécurité particulières .....	4-5
■ Symboles.....	6
■ Glossaire.....	7
■ Caractéristiques .....	8
■ Assemblage.....	8
■ Utilisation.....	9-11
■ Entretien .....	12-13
■ Accessoires .....	13
■ Dépannage .....	14
■ Figure numéros (illustrations).....	15-16
■ Service après-vente.....	Page arrière

## INTRODUCTION

Cet outil offre de nombreuses fonctions destinées à rendre son utilisation plaisante et plus satisfaisante. Lors de la conception de ce produit, l'accent a été mis sur la sécurité, les performances et la fiabilité, afin d'en faire un outil facile à utiliser et à entretenir.

## GARANTIE

### OUTILS MOTORISÉS RYOBI® – GARANTIE LIMITÉE DE DEUX ANS ET POLITIQUE D'ÉCHANGE DE 30 JOURS

One World Technologies, Inc., garantit ses outils motorisés dans les conditions suivantes :

**POLITIQUE D'ÉCHANGE DE 30 JOURS :** En cas de défaillance due à des vices de matériaux ou de fabrication au cours des 30 jours suivant la date d'achat, l'acheteur pourra faire réparer tout outil motorisé RYOBI® au titre de cette garantie ou le retourner l'établissement où il a été acheté. Pour obtenir un outil en échange ou demander la réparation en garantie, l'équipement complet devra être retourné, dans son emballage d'origine, accompagné d'une preuve d'achat. L'outil fourni en échange sera couvert par la garantie limitée pour le restant de la période de validité de deux ans à compter de la date d'achat.

**CE QUI EST COUVERT PAR LA GARANTIE :** Cette garantie couvre tous les vices de matériaux et de fabrication de cet outil motorisé RYOBI®, pour une période de deux ans, à compter de la date d'achat. À l'exception des batteries, les accessoires sont garantis pour une période de quatre-vingt-dix (90) jours. Les batteries sont garanties deux ans.

**RÉPARATIONS SOUS GARANTIE :** Il suffit de retourner l'outil, correctement emballé, en port payé, à un centre de réparations agréé. L'adresse du centre de réparations agréé le plus proche peut être obtenue en contactant un représentant du service après-vente par courrier, à l'adresse One World Technologies, Inc., P.O. Box 1207, Anderson, SC 29622-1207, par téléphone au 1-800-525-2579 ou par courriel, à l'adresse Internet [www.ryobitools.com](http://www.ryobitools.com). Lors de toute demande de réparation sous garantie, une preuve d'achat datée (par exemple un reçu de vente) doit être fournie. Nous nous engageons à réparer tous les défauts de fabrication et à réparer ou remplacer, à notre choix, toutes les pièces défectueuses. Les réparations et remplacements seront gratuits. Les réparations sous garantie seront effectuées dans un délai raisonnable, ne dépassant en aucun cas quatre-vingt-dix (90) jours.

**CE QUI N'EST PAS COUVERT :** La garantie ne couvre que l'acheteur au détail original et n'est pas transférable. Cette garantie ne couvre que les défauts résultant d'une utilisation normale. Elle ne couvre pas les problèmes de fonctionnement, défaillances ou autres défauts résultant d'un usage incorrect ou abusif, de la négligence, de la modification, de l'altération ou de réparations effectuées par quiconque autre qu'un centre de réparations agréé. One World Technologies, Inc. ne fait aucune autre garantie, représentation ou promesse concernant la qualité et les performances de cet outil motorisé, autres que celles expressément indiquées dans le présent document.

**AUTRES LIMITATIONS :** Toutes les garanties implicites accordées par les lois en vigueur, y compris les garanties de valeur marchande ou d'adéquation à un usage particulier, sont limitées à une durée de deux ans, à compter de la date d'achat. One World Technologies, Inc. déclinant toute responsabilité pour les dommages directs ou indirects, les limitations et exclusions peuvent ne pas s'appliquer à chaque acheteur. Cette garantie donne au consommateur des droits spécifiques, et celui-ci peut bénéficier d'autres droits, qui varient selon les états ou provinces.



# RÈGLES DE SÉCURITÉ GÉNÉRALES



## DANGER :

**LIRE ET VEILLER À BIEN COMPRENDRE LES AUTOCOLLANTS APPOSÉS SUR L'OUTIL ET LE MANUEL.** Le non respect de cet avertissement pourrait entraîner des BLESSURES GRAVES ou MORTELLES.

## CONSERVER CES INSTRUCTIONS

### LIEU DE TRAVAIL

- **Garder le lieu de travail propre et bien éclairé.** Les établis encombrés et les endroits sombres sont propices aux accidents.
- **Ne pas utiliser d'outils électriques dans des atmosphères explosives, par exemple en présence de liquides, gaz ou poussières inflammables.** Les outils électriques produisent des étincelles risquant d'enflammer les poussières ou vapeurs.
- **Garder les badauds, enfants et visiteurs à l'écart pendant l'utilisation d'un outil électrique.** Les distractions peuvent causer une perte de contrôle.

### SÉCURITÉ PERSONNELLE

- **Lors du chargement, de l'utilisation ou de l'entretien de cet outil, l'opérateur et les personnes se trouvant sur le lieu de travail doivent TOUJOURS porter un dispositif oculaire à protection FRONTALE et LATÉRALE, conforme aux normes ANSI.** Une telle protection est requise, car les clous / agrafes et débris projetés peuvent causer des lésions oculaires graves.
- **Il incombe à l'employeur et / ou l'utilisateur de veiller à ce qu'une protection oculaire adéquate soit utilisée.** Nous recommandons d'utiliser un masque facial à champ de vision se portant par-dessus des lunettes de vue ou de sécurité et protégeant des débris projetés sur le devant et les côtés. Toujours porter une protection oculaire certifiée conforme à la norme ANSI Z87.1.
- **Des équipements de protection supplémentaires sont requis dans certains environnements.** Par exemple, le lieu de travail peut présenter un niveau de bruit susceptible d'entraîner des lésions auditives. Il incombe à l'opérateur et à l'utilisateur qu'une protection auditive soit fournie et utilisée par l'opérateur et les autres personnes se trouvant sur le lieu de travail. Certains environnements requièrent le port d'un casque. Il incombe à l'employeur et / ou l'utilisateur de veiller à ce qu'un casque conforme à la norme ANSI Z89.1-1997 soit utilisé.
- **Rester attentif, prêter attention au travail et faire preuve de bon sens lors de l'utilisation de tout outil électrique. Ne pas utiliser cet outil en état de fatigue ou sous l'influence d'alcool, de drogues ou de médicaments.** Un moment d'inattention pendant l'utilisation d'un outil électrique peut entraîner des blessures graves.
- **Porter une tenue appropriée. Ne porter ni vêtements amples, ni bijoux. Attacher ou couvrir les cheveux longs. Garder les cheveux, les vêtements et les gants à l'écart des pièces en mouvement.** Les vêtements amples, bijoux et cheveux longs peuvent se prendre dans les pièces en mouvement.

- **Excepté pour agraffer, garder les doigts à l'écart de la gâchette, pour éviter un déclenchement accidentel.**
- **Ne pas travailler hors de portée. Toujours se tenir bien campé et en équilibre.** Une bonne tenue et un bon équilibre permettent de mieux contrôler l'outil en cas de situation imprévue.
- **Utiliser l'équipement de sécurité. Toujours porter une protection oculaire.** Suivant les conditions, le port d'un masque antipoussière, de chaussures de sécurité, d'un casque ou d'une protection auditive est recommandé.
- **Ne pas utiliser l'outil sur une échelle ou un support instable.** Une bonne tenue et un bon équilibre permettent de mieux contrôler l'outil en cas de situation imprévue.

### UTILISATION ET ENTRETIEN DE L'OUTIL

- **Ne pas forcer l'outil. Utiliser un outil approprié pour le travail.** Un outil approprié exécutera le travail mieux et de façon moins dangereuse s'il est utilisé dans les limites prévues.
- **Ne pas utiliser l'outil si la gâchette ne fonctionne pas correctement.** Tout outil qui ne peut pas être contrôlé par la gâchette est dangereux et doit être réparé.
- **Vérifier le mécanisme de contact de la tête de l'outil fréquemment.** Ne pas utiliser l'outil si le mécanisme de déclenchement par contact ne fonctionne pas correctement, car l'éjection accidentelle d'une agrafe pourrait se produire. Ne pas empêcher le fonctionnement correct du mécanisme de contact de la tête de la cloueuse.
- **Ranger les outils non utilisés hors de portée des enfants et des personnes n'ayant pas reçu des instructions adéquates.** Dans les mains de personnes n'ayant pas reçu des instructions adéquates, les outils sont dangereux.
- **Entretenir soigneusement les outils.** Respecter toutes les instructions d'entretien. Les outils correctement entretenus sont plus faciles à contrôler.
- **Vérifier qu'aucune pièce mobile n'est mal alignée, grippée ou brisée et s'assurer qu'aucun autre problème risque d'affecter le bon fonctionnement de l'outil. En cas de dommages, faire réparer l'outil avant de l'utiliser de nouveau.** Beaucoup d'accidents sont causés par des outils mal entretenus.
- **Utiliser exclusivement les clous / agrafes recommandés pour le modèle d'outil.**
- **Garder l'outil et sa poignée secs, propres et exempts d'huile ou de graisse.** Toujours utiliser un chiffon propre pour le nettoyage. Ne jamais utiliser de liquide de freins, d'essence, de produits à base de pétrole ou de solvants forts pour nettoyer l'outil. Le respect de cette règle réduira les risques de perte du contrôle et d'endommagement du boîtier en plastique.

### DÉPANNAGE

- **Le dépannage des outils doit être confié exclusivement à un personnel qualifié.** Les réparations ou entretiens effectués par des personnes non qualifiées présentent des risques de blessures.
- **Utiliser exclusivement des pièces identiques à celles d'origine pour les réparations. Se conformer aux instructions de la section Entretien de ce manuel.** L'usage de pièces non autorisées ou le non respect des instructions d'entretien peut présenter des risques de blessures.

# RÈGLES DE SÉCURITÉ PARTICULIÈRES

- **Apprendre à pneumatique l'outil.** Lire attentivement le manuel d'utilisation. Apprendre les applications et les limites de l'outil, ainsi que les risques spécifiques relatifs à son utilisation. Le respect de cette règle réduira les risques d'incendie, de choc électrique et de blessures.
  - **Toujours porter une protection oculaire certifiée conforme à la norme ANSI Z87.1, ainsi qu'une protection auditive et un casque lors de l'utilisation de cet outil.** Si cette précaution n'est pas prise, des objets peuvent être projetés dans les yeux et causer des lésions graves
  - **Protection respiratoire.** Porter un masque facial ou respiratoire si le travail produit de la poussière. Le respect de cette règle réduira les risques de blessures graves.
  - **Protection auditive.** Porter une protection auditive durant les périodes d'utilisation prolongée. Le respect de cette règle réduira les risques de blessures graves.
  - **S'assurer que le flexible n'est ni bloqué, ni accroché.** Un flexible emmêlé ou entortillé peut causer une perte d'équilibre et être endommagé.
  - **L'outil ne doit être utilisé que pour les applications pour lesquelles il est conçu.** Ne pas décharger des clous dans le vide.
  - **Cet outil pneumatique ne doit être utilisé que pour les applications pour lesquelles il est conçu.**
  - **Utiliser seulement les agrafes recommandées pour cet outil.** L'utilisation du mauvais type d'agrafes pourrait nuire au débit des agrafes et entraîner des bourrages d'agrafes ainsi que l'éjection des clous de l'outil à des angles irréguliers. Si le débit des agrafes n'est pas constant et fluide, cesser de les utiliser sur le champ. Les bourrages et un débit d'agrafes irrégulier peuvent occasionner des blessures graves.
  - **Ne jamais utiliser cet outil de façon à ce qu'un clou puisse être dirigé vers quoi que ce soit d'autre que la pièce à clouer.**
  - **Ne pas utiliser cet outil comme un marteau.**
  - **Toujours transporter l'outil par la poignée.** Ne jamais transporter l'outil par le flexible d'air.
  - **Ne pas altérer ou modifier cet outil, ni l'utiliser pour des fonctions autres que celles prévues, sans autorisation préalable de son fabricant.**
  - **Ne jamais oublier qu'un usage incorrect ou abusif de cet outil peut mettre l'opérateur et les autres personnes présentes en danger.**
  - **Ne jamais bloquer la gâchette ou le contact de la clouuse en position de déclenchement avec du ruban adhésif ou un quelconque autre système.**
  - **Ne jamais laisser l'outil sans surveillance avec le flexible d'air branché.**
  - **Ne pas utiliser cet outil s'il ne comporte pas d'autocollant d'avertissement.**
  - **Ne pas utiliser un outil qui présente des fuites d'air ou ne fonctionne pas correctement.**
- ## UTILISATION
- **Toujours présumer que l'outil contient des clous.**
  - **Ne pas transporter l'outil avec le doigt sur la gâchette.** Un clou pourrait être éjecté accidentellement.
  - **Toujours manipuler l'outil avec précaution :**
    - Respecter cet outil comme tout équipement de travail.
    - Ne pas l'utiliser l'utiliser comme un jouet,
    - Ne jamais appuyer sur la gâchette si la tête de l'outil n'est pas dirigée vers la pièce à clouer.
    - Garder toutes les personnes présentes à distance sûre de l'outil, car un éventuel déclenchement accidentel pourrait entraîner des blessures.
  - **Le choix de la méthode de déclenchement est important. Voir les options de déclenchement dans le manuel.**
  - **Les outils pneumatiques sont conçus pour une utilisation à une main.** Ne pas tenir l'outil par la face avant du chargeur. Tenir les mains, la tête et toute autre partie du corps à distance du point d'éjection des clous, près du chargeur, afin d'éviter des blessures graves.
  - **Ne pointer l'outil ni vers soi, ni vers quiconque, qu'il contienne des clous ou non.**
  - **Ne pas actionner l'outil s'il n'est pas fermement appuyé sur la pièce à clouer.**
  - **Toujours s'assurer que la surface de contact est exactement positionnée sur la pièce à clouer.** Un positionnement seulement partiel de la surface de contact sur la pièce à clouer peut occasionner des blessures graves car l'agrafe risque d'être éjectée complètement à côté de la pièce.
  - **Ne pas planter de clous près du bord du matériau.** La pièce à clouer peut se fendre, causant un ricochet du clou, qui risque alors de blesser l'opérateur ou une autre personne présente. Ne pas oublier que le clou peut suivre le grain du bois et que sa pointe peut ressortir inopinément par le bord de la planche.
  - **Garder les mains et toutes les parties du corps à l'écart du point à clouer.** Au besoin, assujettir la pièce à clouer avec des serre-joint pour garder les mains à l'écart de la zone dangereuse. S'assurer que la pièce à clouer est correctement assujettie avant d'appuyer la cloueuse à sa surface. Le contact de la cloueuse peut causer un déplacement inopiné de la pièce.
  - **Lors du travail dans des endroits confinés, garder le visage et le corps à l'écart de l'arrière de l'outil.** Un recul brusque peut projeter la cloueuse contre le corps, en particulier lors du clouage de matériaux denses.

# RÈGLES DE SÉCURITÉ PARTICULIÈRES

- **Durant l'utilisation normale de l'outil, un recul se produit lorsqu'un clou est planté. Ce recul est normal.** Ne pas essayer de l'empêcher en maintenant l'outil contre la pièce à clouer. Empêcher le recul pourrait causer l'éjection d'un second clou. Tenir la poignée fermement, laisser l'outil exécuter le travail et ne jamais placer l'autre main sur le dessus de l'outil ou près de l'échappement. Le non respect de cette mise en garde peut entraîner des blessures graves.
- **Ne pas planter un clou sur un autre ou avec l'outil à un angle trop prononcé, car le clou pourrait dévier et blesser quelqu'un.**
- **Ne pas planter de clous près du bord de la pièce, car le bois pourrait se fendre et le clou risquerait alors d'être projeté et de blesser quelqu'un.**

## ALIMENTATION ET CONNEXIONS PNEUMATIQUES

- **Ne pas utiliser de l'oxygène ou des gaz combustibles ou en bouteille pour alimenter l'outil, car celui-ci pourrait exploser et infliger des blessures graves ou mortelles.**
- **Ne pas utiliser un compresseur d'air pouvant produire une pression de plus de 200 psi, car l'outil pourrait exploser et infliger des blessures.**
- **Le connecteur utilisé sur l'outil ne doit pas maintenir la pression une fois que l'alimentation pneumatique a été débranchée.** Si un fusible de type incorrect est utilisé, l'outil peut resté chargé d'air une fois débranché et éjecter un clou, risquant de blesser quelqu'un.

- **Toujours débrancher l'alimentation pneumatique :**
  - Avant d'effectuer des réglages
  - Lors de l'entretien de l'outil
  - Lors du déblocage de l'outil
  - Lorsque l'outil n'est pas en usage
  - Avant de se déplacer avec l'outil, car un déclenchement accidentel pourrait entraîner des blessures.

## CHARGEMENT DE L'OUTIL

- **Ne pas charger l'outil lorsque l'une des commandes de déclenchement est activée.**

Lors du chargement de l'outil :




- **Ne jamais placer une main ou une partie quelconque du corps devant la tête de l'outil.**
- **Ne jamais pointer l'outil sur qui que ce soit.**
- **Ne pas appuyer sur la gâchette ou sur le mécanisme de contact, car l'outil pourrait éjecter un clou, risquant blesser quelqu'un.**

## CONSERVER CES INSTRUCTIONS






- **Les consulter fréquemment et les utiliser pour instruire les autres utilisateurs éventuels. Si cet outil est prêté, il doit être accompagné de ces instructions.**

# SYMBOLES

Les termes de mise en garde suivants et leur signification ont pour but d'expliquer le degré de risque associé à l'utilisation de ce produit.

SYMBOLE	SIGNAL	SIGNIFICATION
	<b>DANGER :</b>	Indique une situation extrêmement dangereuse qui, si elle n'est pas évitée, aura pour conséquences des blessures graves ou mortelles.
	<b>AVERTISSEMENT :</b>	Indique une situation potentiellement dangereuse qui, si elle n'est pas évitée, pourrait avoir pour conséquences des blessures graves ou mortelles.
	<b>ATTENTION :</b>	Indique une situation potentiellement dangereuse qui, si elle n'est pas évitée, pourrait avoir pour conséquences des blessures légères ou de gravité modérée.
	<b>ATTENTION :</b>	(Sans symbole d'alerte de sécurité) Indique une situation pouvant entraîner des dommages matériels.

Certains des symboles ci-dessous peuvent être utilisés sur l'outil. Veiller à les étudier et à apprendre leur signification. Une interprétation correcte de ces symboles permettra d'utiliser l'outil plus efficacement et de réduire les risques.

SYMBOLE	NOM	DÉSIGNATION / EXPLICATION
	Alerte de sécurité	Indique un risque de blessure potentiel.
	Protection oculaire, protection de l'ouïe et casque	Toujours porter une protection oculaire certifiée conforme à la norme ANSI Z87.1, ainsi qu'une protection auditive et un casque lors de l'utilisation de cet outil.
	Garder les mains à l'écart	Garder les mains et le corps à l'écart de la décharge de l'outil.
	Lire le manuel d'utilisation	Pour réduire les risques de blessures, l'utilisateur doit lire et veiller à bien comprendre le manuel d'utilisation avant d'utiliser ce produit.
	Surface brûlante	Pour éviter les risques de blessures ou de dommages, éviter tout contact avec les surfaces brûlantes.

# GLOSSAIRE

**Activer (commandes de l'outil)**

Mettre une commande sur une position déclenchant ou permettant de déclencher l'outil.

**Actionner (outil)**

Causer le mouvement des pièces conçues pour chasser le clou

**Orifice d'entrée d'air**

Sur un outil pneumatique, l'ouverture sur laquelle la source d'air est connectée, généralement au moyen d'un raccord fileté.

**Pièce de fixation**

Agrafe, cheville, clou ou autre pièce de fixation conçue et fabriquée pour être utilisée pour les outils répondant à cette norme.

**Blocage**

Obstruction dans le système d'alimentation ou de décharge de l'outil.

**Pression d'air maximum**

Pression maximale admissible de l'air comprimé, telle que spécifiée par le fabricant, pour alimenter un outil.

**Commande**

Dispositif qui, séparément ou en conjonction avec un système, peut causer le déclenchement de l'outil.

**Déclenchement par séquence unique**

Système de déclenchement comprenant plus d'une commande et dont les commandes doivent être actionnées dans un ordre donné pour déclencher l'outil. Le déclenchement peut être répété lorsqu'une commande, autre que le déclencheur par contact, est relâchée, puis actionnée de nouveau.

**Gâchette**

Commande de l'outil actionnée par le doigt de l'opérateur.

**Pièce**

Objet dans lequel un clou, une agrafe ou autre pièce de fixation est enfoncé par l'outil.

**Contact de déclenchement**

Pièce ou partie de l'outil conçue pour le déclencher par contact avec la pièce à assujettir.

# CARACTÉRISTIQUES

## FICHE TECHNIQUE

Pression de service ..... 70 à 120 psi  
Type de pièces de fixation....Clous de finition de calibre 18  
Longueur des attaches :  
..... 15,87 mm (5/8 po) à 50,8 mm (2 po)

Capacité du magasin ..... 110 clous  
Consommation d'air..... 0,05 pi<sup>3</sup>/cycle à 100 psi  
Entrée d'air ..... 1/4 po NPT  
Poids ..... 1,31 kg (2,9 lb)

## APPRENDRE À CLOUEUSE DE FINITION

Voir la figure 1, page 15.

La sécurité d'utilisation de ce produit exige la compréhension des informations apposées sur l'outil et contenues dans ce manuel d'utilisation, ainsi que la connaissance du travail à exécuter. Avant d'utiliser ce produit, familiarisez-vous avec toutes ses fonctions et règles de sécurité.

## ÉCHAPPEMENT RÉGLABLE

L'échappement peut être orienté selon la préférence de l'opérateur.

## RÉGLAGE DE PROFONDEUR D'ENFONCEMENT

Ce dispositif permet à l'opérateur d'ajuster précisément la profondeur d'enfoncement des agrafes.

## DÉBLOCAGE

Dans le cas d'un blocage occasionnel, un système de sans outil permet de rétablir rapidement le fonctionnement.

## COUSSINET DE PROTECTION

Le coussinet de protection empêche de marquer ou d'érafler les bois tendres.

## MAGASIN À CHARGEMENT LATÉRAL

Le magasin à chargement latéral permet de recharger l'agrafeuse en trois simples étapes.

## GÂCHETTE

La cloueuse de finition est dotée d'une gâchette séquentielle simple qui permet de positionner les clous avec précision.

# ASSEMBLAGE

## DÉBALLAGE

Ce produit a été expédié complètement assemblé.

- Avec précaution, sortir l'outil et les accessoires de la boîte. S'assurer que toutes les pièces figurant sur la liste de contrôle sont incluses.

### AVERTISSEMENT :

Ne pas utiliser le produit si, en le déballant, vous constatez que des éléments figurant dans la liste d'expédition sont déjà assemblés. Certaines pièces figurant sur cette liste n'ont pas été assemblées par le fabricant et exigent une installation. Le fait d'utiliser un produit qui a été assemblé de façon inadéquate peut entraîner des blessures.

- Examiner soigneusement l'outil pour s'assurer que rien n'a été brisé ou endommagé en cours de transport.
- Ne pas jeter les matériaux d'emballage avant d'avoir soigneusement examiné l'outil et avoir vérifié qu'il fonctionne correctement.
- Si des pièces sont manquantes ou endommagées, appeler le 1-800-525-2579.

## LISTE DE CONTRÔLE D'EXPÉDITION

Cloueuse de finition  
Huile  
Assortiment de clous / agrafes  
Clé hexagonales (3 mm et 4 mm)  
Manuel d'utilisation

### AVERTISSEMENT :

Ne pas utiliser le produit s'il n'est pas complètement assemblé ou si des pièces semblent manquantes ou endommagées. Le fait d'utiliser un produit assemblé de façon inadéquate ou incomplète peut entraîner des blessures graves.

### AVERTISSEMENT :

Ne pas essayer de modifier cet outil ou de créer des accessoires non recommandés pour l'outil. De telles altérations ou modifications sont considérées comme un usage abusif et peuvent créer des conditions dangereuses, risquant d'entraîner des blessures graves.



# UTILISATION

## DANGER :

Ne pas utiliser de l'oxygène ou des gaz combustibles ou en bouteille pour alimenter l'outil. L'outil exploserait, causant des blessures graves ou mortelles.

## AVERTISSEMENT :

Ne pas laisser la familiarité avec l'outil faire oublier la prudence. Ne pas oublier qu'une fraction de seconde d'inattention peut entraîner des blessures graves.

## AVERTISSEMENT :

Toujours porter une protection oculaire certifiée conforme à la norme ANSI Z87.1, ainsi qu'une protection auditive et un casque lors de l'utilisation de cet outil. Si cette précaution n'est pas prise, des objets peuvent être projetés dans les yeux et causer des lésions graves.

## AVERTISSEMENT :

Débrancher l'outil de la source d'air avant de quitter le lieu de travail, de transporter l'outil à un autre endroit ou de le passer à une autre personne. Ne pas prendre cette précaution peut entraîner des blessures graves.

## APPLICATIONS

Cet outil peut être utilisé pour les applications ci-dessous :

- Finition et décoration (intérieur et extérieur)
- Baguettes décoratives
- Bibliothèques
- Plinthes
- Placards
- Dos de placards
- Tiroirs
- Moulures
- Cardres de tableaux et miroirs
- Panneautage
- Quart-de rond et plinthes
- Escaliers
- Panneaux d'habillage
- Lambrissage
- Encadrement de fenêtres
- Protections murales
- Cadres de meubles
- Treillis
- Pièces en plastique à clouer
- Bricolage

## AVERTISSEMENT :

Toujours porter une protection oculaire. Les protections oculaires ne s'ajustent pas de la même façon sur toutes les personnes. Veiller à ce que le dispositif oculaire soit doté d'écrans latéraux protégeant des débris projetés sur le devant et les côtés.

## PRÉPARATION DE L'OUTIL POUR LE TRAVAIL

Voir la figure 2, page 15.

Dans des conditions d'utilisation normales, l'outil doit être lubrifié avant d'être raccordé à l'alimentation pneumatique. Lubrifier le raccord d'air de l'outil une fois par jour si l'utilisation est minimale ou deux fois, si l'utilisation est intensive. Quelques gouttes suffisent à chaque lubrification. Une quantité excessive d'huile s'accumulerait à l'intérieur de l'outil et serait visible lors du cycle d'échappement.

Avant de brancher l'outil, s'assurer que le manomètre du compresseur d'air indique une pression correcte de 70 à 120 psi.

## COUSSINET DE PROTECTION

Voir la figure 3, page 15.

Le coussinet de protection empêche de marquer ou d'érafler les bois tendres.

## AVERTISSEMENT :

Débrancher l'outil de la source d'air avant de retirer le coussinet de protection ou de le remettre en place. Ne pas prendre cette précaution peut entraîner des blessures graves.

Le coussinet de protection peut être retiré en le tirant vers le bas et vers l'avant. Pour remettre le coussinet de protection en place, le placer sur la contact de déclenchement et le pousser vers le haut pour l'engager.

## RÉGLAGE DE L'ÉCHAPPEMENT

Voir la figure 4, page 15.

L'échappement réglable du capuchon de l'outil permet à l'opérateur d'orienter l'échappement selon sa préférence. Pour orienter l'échappement, tourner le capuchon dans la direction désirée.

## AVERTISSEMENT :

Débrancher l'outil de la source d'air avant de quitter le lieu de travail, de transporter l'outil à un autre endroit ou de le passer à une autre personne. Ne pas prendre cette précaution peut entraîner des blessures graves.



# UTILISATION

## RACCORDEMENT DE L'OUTIL À UNE SOURCE D'AIR

Voir la figure 5, page 15.

### DANGER :

Ne pas utiliser de l'oxygène ou des gaz combustibles ou en bouteille pour alimenter l'outil. L'outil exploserait, causant des blessures graves ou mortelles.

Cet outil est conçu pour fonctionner avec de l'air comprimé propre, sous pression régulée de 70 à 120 psi. La pression d'air correcte est la plus basse permettant d'exécuter le travail.

NOTE : Une pression d'air de plus de 120 psi peut endommager l'outil.

L'outil doit être muni d'un raccord d'air qui permet l'évacuation la pression de l'outil au moment de la déconnexion du connecteur du tuyau à air.

### AVERTISSEMENT :

Toujours utiliser un raccord d'air qui permet d'évacuer l'air comprimé emmagasiné dans l'outil au moment de la déconnexion du raccord d'air et du connecteur du tuyau à air. L'utilisation d'un raccord d'air qui ne permet pas l'évacuation de l'air comprimé pourrait causer un fonctionnement imprévisible et des blessures graves.

### AVERTISSEMENT :

Ne pas monter sur une échelle ou un échaffaudage et transportant un outil connecté au flexible d'air. Cela pourrait entraîner des blessures graves.

Raccorder l'outil à la source d'air au moyen d'un raccord rapide femelle de 6,35 mm (1/4 po).

## CHARGEMENT DES CLOUS

Voir les figures 6 - 7, page 15 - 16.

- Brancher l'outil sur la source d'air.

### AVERTISSEMENT :

Le mécanisme d'entraînement de l'outil peut être actionné lors du raccordement à la source d'air. Toujours raccorder l'outil à la source d'air avant de charger les clous afin d'éviter des blessures causées par un déclenchement involontaire. Toujours s'assurer que le magasin est vide, au début de chaque séance de travail, avant de raccorder l'outil à la source d'air.

### AVERTISSEMENT :

Veiller à ne pointer l'outil ni vers soi, ni vers d'autres personnes lors du chargement de clous. Ne pas prendre cette précaution pourrait entraîner des blessures graves.

### AVERTISSEMENT :

Utiliser exclusivement les clous recommandés pour cet outil. L'usage d'autres clous peut causer un mauvais fonctionnement de l'outil, susceptible d'entraîner des blessures graves.

### AVERTISSEMENT :

Ne jamais charger les clous avec la gâchette ou le mécanisme de déclenchement par contact activé. Cela pourrait entraîner des blessures graves.

- Appuyez sur le loquet afin de relâcher et d'ouvrir le magasin.
- Insérez la bande de clous dans le magasin en pointant la partie avant de l'outil loin de vous. Assurez-vous que les clous sont orientés vers le bas.

### POSITIONNEMENT CORRECT DES CLOUS

- Insérez toujours les clous en vous assurant que leurs pointes reposent à l'intérieur du guide ou qu'elles sont le plus près possible du guide.
- Les têtes des clous doivent reposer sur l'arête supérieure d'un épaulement ou à l'intérieur d'un guide, entre deux épaulements.
- Les têtes des clous ne devraient jamais reposer sur un épaulement si elles ne se trouvent pas sur son arête. Ne positionnez pas les clous si leurs têtes reposent au centre d'un épaulement.
- La bande de clous ne devrait pas être centrée dans le magasin ou se trouver dans la partie supérieure du magasin.
- Si les pointes des clous ne se trouvent pas à l'intérieur du guide sans reposer de façon incorrecte sur un épaulement, déplacez la bande de clous légèrement vers le haut jusqu'à ce que les têtes reposent sur la partie supérieure d'un épaulement.
- Pour fermer le magasin, relâchez le loquet et pousser le magasin vers l'avant. Relâchez le loquet et assurez-vous qu'il est bien verrouillé en place avant d'enfoncer un clou.

# UTILISATION

## ENFONCER UN CLOU

Voir les figure 8, page 16.

### AVERTISSEMENT :

Ne jamais caler ou bloquer le mécanisme de sûreté de déclenchement par contact pendant que l'outil est en fonctionnement. Cela pourrait entraîner des blessures graves.

## DÉCLENCHEMENT PAR SÉQUENCE UNIQUE

Le mode de déclenchement par séquence unique permet le placement le plus précis des agrafes.

- Brancher l'outil sur la source d'air.
- Saisir l'outil fermement pour maintenir le contrôle. Placer la tête de l'outil contre la pièce à clouer.
- Appuyer l'outil contre la pièce à clouer pour actionner le dispositif de déclenchement par contact.
- Appuyer à fond sur la gâchette pour planter une agrafe.
- Ne pas empêcher le recul de l'outil lorsque l'agrafe est plantée.

### AVERTISSEMENT :

**Durant l'utilisation normale de l'outil, un recul se produit lorsqu'un clou est planté. Ce recul est normal.**

Ne pas essayer de l'empêcher en maintenant l'outil contre la pièce à clouer. Cela pourrait causer l'éjection d'un second clou. Tenir la poignée fermement, laisser l'outil exécuter le travail et ne jamais placer l'autre main sur le dessus de l'outil ou près de l'échappement. Le non respect de cette mise en garde peut entraîner des blessures graves.

## RÉGLAGE DE LA PRESSION D'AIR

Le réglage de pression d'air dépend de la taille des clous et de la dureté du matériau à clouer.

Commencer par tester la profondeur d'enfoncement en plantant l'un des clous à utiliser dans un morceau du même bois que la pièce à clouer.

Pour le test, utiliser une pression de 90 à 95 psi. Augmenter ou réduire la pression d'air de manière à obtenir le réglage minimum permettant d'exécuter le travail uniformément.

Il est possible d'obtenir la profondeur désirée simplement en réglant la pression d'air. Si un réglage plus fin est nécessaire, utiliser le réglage de profondeur d'enfoncement de l'outil.

## RÉGLAGE DE PROFONDEUR D'ENFONCEMENT

Voir la figure 9, page 16.

La profondeur d'enfoncement des clous peut être ajustée. Il est recommandé de faire un essai sur une chute afin de déterminer la profondeur requise pour l'application.

Pour déterminer la profondeur, régler d'abord la pression d'air, puis planter un clou. Pour obtenir la profondeur nécessaire, utiliser le réglage de profondeur d'enfoncement de l'outil.

- Débrancher l'outil de la source d'air.
- Tourner le sélecteur de profondeur vers la droite ou la gauche pour accroître ou réduire la profondeur.
- Rebrancher l'outil à la source d'air.
- Planter un clou d'essai après chaque réglage, jusqu'à ce que la profondeur voulue soit obtenue.

### AVERTISSEMENT :

Débrancher l'outil de la source d'air avant de retirer les clous. Ne pas prendre cette précaution peut entraîner des blessures graves.

## RETRAIT DE CLOUS DE L'OUTIL

Voir la figure 10, page 16.

- Débrancher l'outil de la source d'air.
- Pour retirer une bande de clous de l'outil, relâchez le loquet situé à l'arrière du magasin et glissez le magasin pour l'ouvrir.
- Retirez la bande de clous.
- Pour fermer le magasin, relâchez le loquet et poussez le magasin vers l'avant. Relâchez le loquet pour maintenir le magasin en place.

## DÉBLOCAGE D'UNE AGRAFE

Voir la figure 11, page 16.

### AVERTISSEMENT :

Débrancher l'outil de la source d'air avant de retirer ou débloquer une agrafe. Ne pas prendre cette précaution peut entraîner des blessures graves.

Si un clou ou une agrafe se bloque dans l'outil, débrancher le flexible d'air et garder l'outil pointé à l'écart de soi pour le débloquer.

- Débrancher l'outil de la source d'air.
- Retirer les clous de l'outil.
- Soulever le loquet et ouvrir le mécanisme.
- Insérer un tournevis à lame plate dans le mécanisme d'entraînement et pousser ce dernier vers l'arrière, pour libérer le clou bloqué.
- Retirer le clou tordu.
- Refermer le couvercle de déblocage et le verrouiller.
- Brancher l'outil sur la source d'air.
- Réinsérer les clous.

# ENTRETIEN

## **AVERTISSEMENT :**

Utiliser exclusivement des pièces d'origine pour les réparations. L'usage de toute autre pièce pourrait créer une situation dangereuse ou endommager l'outil.

## **AVERTISSEMENT :**

Toujours porter une protection oculaire certifiée conforme à la norme ANSI Z87.1, ainsi qu'une protection auditive et un casque lors de l'utilisation de cet outil. Si cette précaution n'est pas prise, des objets peuvent être projetés dans les yeux et causer des lésions graves.

## **AVERTISSEMENT :**

Débrancher l'outil de la source d'air avant tout entretien. Ne pas prendre cette précaution peut entraîner des blessures graves.

## ENTRETIEN GÉNÉRAL

Éviter d'utiliser des solvants pour le nettoyage des pièces en plastique. La plupart des matières plastiques peuvent être endommagées par divers types de solvants du commerce. Utiliser un chiffon propre pour éliminer la saleté, la poussière, l'huile, la graisse, etc.

## **AVERTISSEMENT :**

Ne jamais laisser de liquides tels que le fluide de freins, l'essence, les produits à base de pétrole, les huiles pénétrantes, etc., entrer en contact avec les pièces en plastique. Les produits chimiques peuvent endommager, affaiblir ou détruire le plastique, ce qui peut entraîner des blessures graves.

## LUBRIFICATION

Une lubrification fréquente, mais pas excessive, est nécessaire pour obtenir un fonctionnement optimal. De l'huile pour outils pneumatiques, placée dans le connecteur de flexible d'air, lubrifiera les pièces internes. Ne pas utiliser une huile détergente ou un additif, car ces produits accélèreraient l'usure des joints et butoirs de l'outil, nuisant à son fonctionnement et exigeant des entretiens fréquents.

## UTILISATION PAR TEMPS FROID

Lorsque l'outil est utilisé par temps froid, l'humidité contenue dans le flexible d'air peut geler, empêchant le fonctionnement de l'outil. Par temps froid, nous recommandons d'utiliser un lubrifiant pour outils pneumatiques ou un antigel permanent (glycoléthylène).

## **ATTENTION :**

Ne pas entreposer les outils dans des endroits froids pour éviter la formation de givre ou de glace sur les soupapes et mécanismes, afin de ne pas risquer une défaillance de l'outil et risque de blessures.

**NOTE :** Certains produits d'assèchement de flexibles d'air sont nuisibles aux joints et joints toriques. Ne pas utiliser de tels produits sans s'être assuré de leur compatibilité.

## PRESSIION ET VOLUME D'AIR

Le volume d'air est aussi important que la pression. Le volume d'air parvenant à l'outil peut être insuffisant, du fait de flexibles et raccords de trop petit diamètre ou de la présence de saleté et d'eau dans le système. L'obstruction du circuit d'air empêche l'outil de recevoir un volume suffisant, même si l'indication de pression du manomètre est élevée. Il en résulte un ralentissement du fonctionnement ou une réduction de puissance. Avant d'examiner un outil présentant ces symptômes, examiner l'alimentation d'air, jusqu'à la source en vue de connecteurs obstrués, d'eau dans les points bas et de tout ce qui pourrait empêcher qu'un volume d'air suffisant parvienne à l'outil.

# ENTRETIEN

## LISTE DE CONTRÔLE QUOTIDIEN

- Débrancher l'alimentation d'air de l'outil et retirer toutes les agrafes.
- Vérifier toutes les vis et tiges, et tous les écrous et boulons de l'outil. Resserrer au besoin toute pièce à l'aide d'une clé de dimension appropriée.
- Appuyer la surface de contact sur la pièce à clouer afin d'en vérifier le mouvement.
- Lorsque la surface de contact est enfoncée, appuyer sur la gâchette. La gâchette devrait avoir un mouvement fluide.
- Brancher l'outil non chargé à une alimentation d'air appropriée (70 psi).
- Désengager le dispositif de verrouillage de tir à vide (s'il y a lieu) et appuyer répétitivement la surface de contact sur une pièce sans appuyer sur la gâchette. L'outil ne doit pas fonctionner. L'outil ne devrait pas perdre d'air.
- Pointer l'outil vers le sol et loin de soi, sans que la surface de contact ne touche la pièce, et appuyer répétitivement sur la gâchette. Tenir la gâchette dans cette position pendant au moins 5 secondes. L'outil ne doit pas fonctionner.
- Appuyer la surface de contact fermement sur la pièce. Appuyer sur la gâchette. L'outil doit fonctionner.
- En tenant la surface de contact enfoncée, relâcher la gâchette. Le poinçon devrait retourner à sa position initiale.
- Si l'outil satisfait à toutes les exigences de cette liste de vérification, il peut être utilisé. Charger les agrafes qui conviennent le mieux au travail à effectuer.
- Régler la profondeur de clouage selon les instructions de la section **Régler la profondeur de clouage** du manuel. Suivre cette liste de contrôle avant chaque utilisation quotidienne ou si l'outil est échappé ou endommagé de quelque manière que ce soit.

# ACCESSOIRES

Pour la commande de pièces et kits d'entretien, appeler le 1-800-525-2579.

Kit d'entretien de remise à neuf .....	079023001059
Kit d'entretien du mécanisme d'entraînement .....	019024001022
Ensemble d'entraînement .....	079024001701
Ensemble huile et clé .....	079024001023
Kit d'oupage de déclenchement.....	079023001705



### AVERTISSEMENT :

Les outils et accessoires disponibles actuellement pour cet outil sont listés ci-dessus. Ne pas utiliser d'outils ou accessoires non recommandés pour cet outil. L'utilisation de pièces et accessoires non recommandés peut entraîner des blessures graves.

# DÉPANNAGE

PROBLÈME	CAUSE POSSIBLE	SOLUTION
Fuite d'air dans le haut de l'outil ou près de la gâchette	Vis desserrées Joints ou joints toriques usés	Serrer les vis Installer le kit de remise à neuf
Fuite au bas de l'outil	Joints, joints toriques ou butoir usés	Installer le kit de remise à neuf
L'outil est inopérant ou faible	Alimentation pneumatique insuffisante Lubrification insuffisante Joints, joints toriques ou butoir usés	Vérifier que l'alimentation en air est suffisante Lubrifier l'outil Installer le kit de remise à neuf
L'outil se bloque fréquemment	Clous de type incorrects Clous endommagés Magasin desserré Magasin encrassé Mécanisme d'entraînement usé ou endommagé	S'assurer que les clous sont de taille correcte Remplacer les clous Serrer les vis Nettoyer le magasin Installer le kit d'entretien du mécanisme d'entraînement

**NOTE : FIGURES (ILLUSTRATIONS) COMMENÇANT SUR 15 DE PAGE APRÈS LE SECTION ESPAGNOL.**

# ÍNDICE DE CONTENIDO

■ Introducción.....	2
■ Garantía .....	2
■ Reglas de seguridad generales .....	3
■ Reglas de seguridad específicas.....	4-5
■ Símbolos.....	6
■ Glosario de términos .....	7
■ Características.....	8
■ Armado .....	8
■ Funcionamiento .....	9-11
■ Mantenimiento .....	12-13
■ Accesorios.....	13
■ Corrección de problemas .....	14
■ Figura numeras (ilustraciones).....	15-16
■ Información sobre servicio al consumidor .....	Pág. posterior

## INTRODUCCIÓN

Este producto ofrece numerosas características para hacer más agradable y placentero su uso. En el diseño de este producto se ha conferido prioridad a la seguridad, el desempeño y la fiabilidad, por lo cual se facilita su manejo y mantenimiento.

## GARANTÍA

### HERRAMIENTAS ELÉCTRICAS RYOBI® –

#### GARANTÍA LIMITADA DE DOS AÑOS Y POLÍTICA DE INTERCAMBIO A LOS 30 DÍAS

One World Technologies, Inc., garantiza sus herramientas eléctricas con las siguientes condiciones:

**POLÍTICA DE INTERCAMBIO A LOS 30 DÍAS:** Durante los primeros 30 días a partir de la fecha de compra, usted puede solicitar servicio al amparo de esta garantía o puede intercambiar cualquier herramienta eléctrica RYOBI® que no funcione correctamente debido a defectos en los materiales o en la mano de obra, devolviéndola en el establecimiento donde la adquirió. Para recibir la herramienta eléctrica de reemplazo o el servicio de garantía solicitado, debe presentar documentación de prueba de la compra, y devolver el equipo original empaquetado con el producto original. La herramienta eléctrica de reemplazo queda cubierta por la garantía limitada por el resto del período de garantía de dos años a partir de la fecha de la compra original.

**LO QUE CUBRE ESTA GARANTÍA:** Esta garantía cubre todos los defectos en material y en mano de obra empleados en la herramienta eléctrica RYOBI® por un período de dos años a partir de la fecha de compra. Con excepción de las pilas, los accesorios de las herramientas eléctricas están garantizados por noventa (90) días. Las pilas están garantizadas por dos años.

**FORMA DE OBTENER SERVICIO:** Simplemente envíe la herramienta eléctrica debidamente empaquetada y con el flete pagado por anticipado a un centro de servicio autorizado. Puede obtener información sobre la ubicación del centro de servicio autorizado más cercano escribiendo a One World Technologies, Inc., P.O. Box 1207, Anderson, SC 29622-1207, USA, llamando al 1-800-525-2579 o dirigiéndose al sitio en Internet, [www.ryobitools.com](http://www.ryobitools.com). Al solicitar servicio al amparo de la garantía, debe presentar documentación de prueba de la compra que incluya la fecha de ésta (por ejemplo un recibo de venta). Repararemos toda mano de obra deficiente del producto, y repararemos o reemplazamos cualquier pieza defectuosa, a nuestra sola discreción. Lo hacemos sin cargarle ningún costo al consumidor. Efectuamos el trabajo en un período de tiempo razonable, pero en todo caso en menos de noventa (90) días.

**LO QUE NO ESTÁ CUBIERTO:** Esta garantía se ofrece exclusivamente al comprador original al menudeo y no puede transferirse. Esta garantía sólo cubre defectos que aparezcan en el uso normal de la herramienta y no cubre ningún malfuncionamiento, falla o defecto producido por el uso indebido, maltrato, negligencia, alteración, modificación o reparación efectuada por terceros diferentes de los centros de servicio autorizados. One World Technologies, Inc. no ofrece ninguna garantía, declaración o promesa en relación con la calidad o el desempeño de sus herramientas eléctricas más que las señaladas específicamente en esta garantía.

**LIMITACIONES ADICIONALES:** Toda garantía otorgada de conformidad con las leyes estatales, incluidas las garantías de comerciabilidad o idoneidad para un uso en particular, está limitada a dos años a partir de la fecha de compra. One World Technologies, Inc. no es responsable de daños directos, indirectos o incidentales, por lo tanto es posible que las limitaciones y exclusiones descritas arriba no se apliquen en el caso de usted. Esta garantía le confiere derechos legales específicos, y es posible que usted goce de otros derechos, los cuales pueden variar de estado a estado.



# REGLAS DE SEGURIDAD GENERALES



## PELIGRO:

**LEA Y COMPRENDA LAS ETIQUETAS DE LAS HERRAMIENTAS Y EL MANUAL.** La inobservancia de los avisos de advertencia podría causar la MUERTE o LESIONES SERIAS.

## GUARDE ESTAS INSTRUCCIONES

### ÁREA DE TRABAJO

- **Mantenga limpia y bien iluminada el área de trabajo.** Una mesa de trabajo mal despejada y una mala iluminación son causas comunes de accidentes.
- **No utilice herramientas motorizadas en atmósferas explosivas, como las existentes alrededor de líquidos, gases y polvos inflamables.** Las herramientas eléctricas generan chispas que pueden encender el polvo y los vapores inflamables.
- **Mantenga alejados a los circunstantes, niños y demás presentes al utilizar una herramienta eléctrica.** Toda distracción puede causar la pérdida del control de la herramienta.

### SEGURIDAD PERSONAL

- **Al cargar, utilizar y dar servicio a esta herramienta, el operador y demás personas SIEMPRE deben llevar puesta protección ocular que cumpla con las especificaciones ANSI y ofrezca protección contra partículas que salgan disparadas del FRENTE y de los LADOS.** Se requiere protección ocular como protección contra sujetadores y desechos que salgan disparados, los cuales pueden causar lesiones oculares serias.
- **Tanto el patrón como el operador deben asegurarse de que se use protección ocular adecuada.** Recomendamos la careta protectora de visión amplia encima de los anteojos normales o de los anteojos de seguridad que ofrecen protección frontal y lateral contra partículas que salen disparadas. Siempre póngase protección ocular con la marca de cumplimiento de la norma ANSI Z87.1.
- **En algunos entornos se requiere protección adicional.** Por ejemplo, en el área de trabajo puede haber exposición a un nivel de ruido que puede dañar el oído. El patrón y el operador deben asegurarse de contar con toda la protección auditiva necesaria y de que sea usada por el operador mismo y demás personas presentes en el área de trabajo. En algunos entornos se requiere el uso de equipo de protección para la cabeza. Cuando se requiera, el patrón y el operador deben asegurarse de que la protección usada para la cabeza cumpla con la norma ANSI Z89.1-1997.
- **Permanezca alerta, preste atención a lo que esté haciendo y aplique el sentido común al utilizar herramientas eléctricas. No utilice la herramienta si está cansado o se encuentra bajo los efectos de alguna droga, alcohol o medicamento.** Un momento de inatención al utilizar una herramienta eléctrica puede causar lesiones corporales serias.
- **Vístase adecuadamente. No vista ropas holgadas ni joyas. Recójase el cabello si está largo. Mantenga el cabello, la ropa y los guantes alejados de las piezas móviles.** Las ropas holgadas, las joyas y el cabello largo pueden engancharse en las piezas móviles.

- **Para evitar disparar accidentalmente la herramienta, mantenga los dedos lejos del gatillo cuando no esté clavando.**
- **No estire el cuerpo para alcanzar mayor distancia. Mantenga una postura firme y buen equilibrio en todo momento.** La postura firme y el buen equilibrio permiten un mejor control de la herramienta en situaciones inesperadas.
- **Use equipo de seguridad. Siempre póngase protección ocular.** Cuando lo exijan las circunstancias debe ponerse careta contra el polvo, zapatos de seguridad antiderrapantes, casco o protección auditiva.
- **No utilice la unidad al estar en una escalera o en un soporte inestable.** Una postura estable sobre una superficie sólida permite un mejor control de la herramienta en situaciones inesperadas.

### EMPLEO Y CUIDADO DE LA HERRAMIENTA

- **No fuerce la herramienta. Utilice la herramienta adecuada al trabajo.** La herramienta adecuada efectúa mejor y de manera más segura el trabajo, si además se maneja a la velocidad para la que está diseñada.
- **No utilice la herramienta si no funciona correctamente el gatillo.** Una herramienta que no pueda controlarse con el gatillo es peligrosa y debe repararse.
- **Verifique con frecuencia el funcionamiento del mecanismo del disparador de contacto.** No use la herramienta si no está funcionando correctamente el mecanismo del disparador de contacto, ya que puede causarse por accidente el disparo de un sujetador. No interfiera en el funcionamiento normal del mecanismo del disparador de contacto.
- **Guarde las herramientas que no estén en uso fuera del alcance de los niños y de toda persona no capacitada en el uso de las mismas.** Las herramientas son peligrosas en manos de personas no capacitadas en el uso de las mismas.
- **Dé mantenimiento con cuidado a las herramientas.** Siga todas las instrucciones de mantenimiento. Las herramientas que han recibido el debido mantenimiento se controlan con mayor facilidad.
- **Revise para ver si hay desalineación o atoramiento de piezas móviles, ruptura de piezas o toda otra condición que pueda afectar el funcionamiento de la herramienta. Si se daña la herramienta, llévela a servicio antes de volver a utilizarla.** Numerosos accidentes son causados por herramientas mal cuidadas.
- **Sólo utilice los sujetadores (clavos o grapas, según sea el caso) recomendados para cada modelo en particular.**
- **Mantenga la herramienta y el mango secos, limpios y sin aceite ni grasa.** Siempre utilice un paño limpio para la limpieza de la unidad. Nunca utilice fluidos para frenos, gasolina, productos a base de petróleo ni solventes fuertes para limpiar la herramienta. Con el cumplimiento de esta regla se reduce el riesgo de una pérdida de control y el deterioro del alojamiento de plástico de la unidad.

### SERVICIO

- **El servicio de la herramienta sólo debe ser efectuado por personal de reparación calificado.** Todo servicio o mantenimiento efectuado por personal no calificado puede significar un riesgo de lesiones.
- **Al dar servicio a una herramienta, sólo utilice piezas de repuesto idénticas. Siga las instrucciones señaladas en la sección "Mantenimiento" de este manual.** El empleo de piezas no autorizadas o el incumplimiento de las instrucciones de mantenimiento puede significar un riesgo de lesiones.



# REGLAS DE SEGURIDAD ESPECÍFICAS

- **Familiarícese con su herramienta neumáticas.** Lea cuidadosamente el manual del operador. Aprenda sus usos y limitaciones, así como los posibles peligros específicos de esta herramienta. Con el cumplimiento de esta regla se reduce el riesgo de una descarga eléctrica, incendio o lesión seria.
- **Siempre al utilizar este equipo, póngase protección para los ojos con la marca de cumplimiento de la norma ANSI Z87.1, así como protección para los oídos y la cabeza.** Si no cumple esta advertencia, los objetos que salen despedidos pueden producirle lesiones serias en los ojos.
- **Protéjase los pulmones.** Use una careta o mascarilla contra el polvo si la operación genera mucho polvo. Con el cumplimiento de esta regla se reduce el riesgo de lesiones corporales serias.
- **Protéjase los oídos.** Durante períodos prolongados de utilización de la unidad póngase protección para los oídos. Con el cumplimiento de esta regla se reduce el riesgo de lesiones corporales serias.
- **Asegúrese de que la manguera no esté obstruida ni enganchada.** Si la manguera se enreda o engancha puede causar una pérdida del equilibrio o postura y puede dañarse.
- **Solamente utilice esta herramienta para el propósito especificado.** No dispare clavos al aire.
- **Use la herramienta neumática solamente para el propósito para el que fue diseñada.**
- **Solamente utilice los sujetadores recomendados para esta herramienta.** El uso de los sujetadores incorrectos podría hacer que los sujetadores no avancen bien, que se atoren y que los clavos no salgan de la herramienta siempre al mismo ángulo. Si los sujetadores no avanzan de manera uniforme y correcta, interrumpa su uso de inmediato. Los sujetadores atorados que avanzan de manera incorrecta pueden provocar lesiones serias.
- **Nunca utilice esta herramienta de ninguna forma que pueda dirigir un sujetador (clavo o grapa, según sea el caso) hacia ninguna otra cosa que no sea la pieza de trabajo.**
- **No use la herramienta como martillo.**
- **Siempre porte la herramienta por el mango.** Nuna porte la herramienta por la manguera de aire.
- **No altere ni modifique esta herramienta con respecto al diseño o funcionamiento original sin la aprobación del fabricante.**
- **Siempre tenga presente que el uso y manejo indebidos de esta herramienta puede causarle lesiones a usted y a otras personas.**
- **Nunca sujete con prensa o cinta adhesiva el gatillo ni el disparador de contacto en la posición de accionamiento.**
- **Nuna deje desatendida ninguna herramienta con la manguera de aire conectada.**
- **No utilice esta herramienta si no tiene una etiqueta de advertencia.**

- **No continúe usando ninguna herramienta que tenga fugas de aire o que no funcione correctamente.**

## FUNCIONAMIENTO

- **Siempre suponga que la herramienta contiene sujetadores.**
- **No traslade la herramienta de un lugar a otro con el dedo en el gatillo.** Podría producirse un disparo accidental.
- **Siempre maneje con cuidado la herramienta:**
  - Respete la herramienta como un elemento de trabajo.
  - Nunca participe en jugueteos.
  - Nunca tire del gatillo a menos que la punta de la herramienta esté dirigida hacia la superficie de trabajo.
  - Mantenga a las demás personas a una distancia segura de la herramienta mientras esté utilizándose ésta ya que puede ocurrir un accionamiento accidental de la misma, y posibles lesiones.
- **Es importante el método de disparo elegido. Estudie el manual, en el cual se describen las diferentes formas de disparar.**
- **Las herramientas neumáticas están diseñadas para usarlas con una sola mano.** No sujete la herramienta por el frente del cargador. No ponga las manos, la cabeza ni ninguna otra parte del cuerpo cerca de la parte inferior del cargador, por donde salen los clavos de la herramienta, ya que se pueden producir lesiones serias.
- **No apunte la herramienta hacia usted mismo ni a ninguna otra persona, ya sea que contenga sujetadores (clavos o grapas, según sea el caso) o no.**
- **No accione la herramienta a menos que esté firmemente colocada contra la pieza de trabajo.**
- **Siempre asegúrese de que el elemento de contacto con la pieza de trabajo esté totalmente encima de ella.** Colocar el elemento de contacto con la pieza de trabajo solamente de manera parcial encima de ella podría causar que el sujetador no se introduzca en la pieza de trabajo por completo y provoque lesiones serias.
- **No introduzca clavos cerca del borde del material.** La pieza de trabajo puede partirse y causar que el clavo rebote y lesione a un compañero de trabajo. Tenga presente que el clavo puede seguir la fibra de la madera y salir inesperadamente por un lado de la pieza de trabajo.
- **Mantenga las manos y todas las partes del cuerpo lejos del área de trabajo inmediata.** Sujete firmemente la pieza de trabajo con prensas de mano cuando sea necesario para proteger las manos y el cuerpo de todo posible peligro. Asegúrese de que la pieza de trabajo esté debidamente asegurada antes de presionar la clavadora contra el material. El disparador de contacto puede causar un movimiento inesperado de la pieza de trabajo.
- **Mantenga la cara y las demás partes del cuerpo lejos de la tapa de la herramienta al trabajar en espacios limitados.** En una retracción súbita la herramienta puede golpear el cuerpo, especialmente al clavar en material duro o denso.

# REGLAS DE SEGURIDAD ESPECÍFICAS

- **Durante el uso normal de la herramienta, ésta se retrae de inmediato después de introducir un sujetador. Así es el funcionamiento normal de la herramienta.** No intente impedir la retracción presionando la clavadora contra la pieza de trabajo. Toda restricción impuesta a la retracción puede producir la impulsión de un segundo sujetador en la clavadora. Sujete firmemente el mango, permita a la herramienta que haga el trabajo y no coloque la otra mano encima de la herramienta ni cerca del escape de aire en ningún momento. La inobservancia de esta advertencia puede causar lesiones corporales serias.
- **No introduzca sujetadores encima de otros, ni con la herramienta a un ángulo excesivamente pronunciado, ya que esto puede causar la desviación de los sujetadores y con ello posibles lesiones.**
- **No introduzca sujetadores cerca del borde de la pieza de trabajo, ya que puede partirse la madera con lo cual podría desviarse el sujetador y causar lesiones.**

## SUMINISTRO DE AIRE Y CONEXIONES

- **No utilice oxígeno, gases combustibles ni gases embotellados como fuente de energía para esta herramienta, ya que puede explotar y causar lesiones o la muerte.**
- **No use compresores de aire que puedan excederse de 200 psi, de presión ya que la herramienta puede estallar y causar lesiones.**
- **El conector de la herramienta debe no conservar presión una vez desconectado el suministro de aire.** Si se utiliza una conexión inadecuada, la herramienta puede permanecer cargada de aire después de desconectarla del suministro de aire y por lo tanto con capacidad de impulsar un sujetador (clavo o grapa, según sea el caso) y de causar lesiones.

## ■ Siempre desconecte el suministro de aire:

- Antes de efectuar ajustes
- Al dar servicio a la herramienta
- Al despejar un atoramiento
- Cuando no está usándose la unidad
- Al trasladarse a un área de trabajo diferente, ya que puede accionarse accidentalmente la herramienta y causar lesiones.

## CÓMO CARGAR LA HERRAMIENTA

- **No cargue los sujetadores en la herramienta cuando esté activado cualquiera de los controles de operación de la misma.**

### Al cargar la herramienta:




- **Nunca coloque las manos ni ninguna parte del cuerpo en el área de la herramienta donde sale disparado el sujetador (clavo o grapa, según sea el caso).**
- **Nunca apunte la herramienta a nadie.**
- **No tire del gatillo ni oprima el disparador de contacto, ya que puede accionarse accidentalmente la herramienta y causar lesiones.**

## GUARDE ESTAS INSTRUCCIONES






- **Consúltelas con frecuencia y empléelas para instruir a otras personas que puedan utilizar esta herramienta. Si presta a alguien esta herramienta, facilítele también las instrucciones.**

# SÍMBOLOS

Las siguientes palabras de señalización y sus significados tienen el objeto de explicar los niveles de riesgo relacionados con este producto.

SÍMBOLO	SEÑAL	SIGNIFICADO
	<b>PELIGRO:</b>	Indica una situación peligrosa inminente, la cual, si no se evita, causará la muerte o lesiones serias.
	<b>ADVERTENCIA:</b>	Indica una situación peligrosa posible, la cual, si no se evita, podría causar la muerte o lesiones serias.
	<b>PRECAUCIÓN:</b>	Indica una situación peligrosa posible, la cual, si no se evita, podría causar lesiones menores o leves.
	<b>PRECAUCIÓN:</b>	(Sin el símbolo de alerta de seguridad) Indica una situación que puede producir daños materiales.

Es posible que se empleen en esta herramienta algunos de los siguientes símbolos. Le suplicamos estudiarlos y aprender su significado. Una correcta interpretación de estos símbolos le permitirá utilizar mejor y de manera más segura la herramienta.

SÍMBOLO	NOMBRE	DENOMINACIÓN/EXPLICACIÓN
	Alerta de seguridad	Indica un peligro posible de lesiones personales.
	Protección para los ojos, los oídos y la cabeza	Siempre al utilizar este equipo, póngase protección para los ojos con la marca de cumplimiento de la norma ANSI Z87.1, así como protección para los oídos y la cabeza.
	Mantenga lejos las manos	Mantenga las manos y el resto del cuerpo lejos del área de la herramienta por donde sale disparado el sujetador.
	Lea el manual del operador	Para reducir el riesgo de lesiones, el usuario debe leer y comprender el manual del operador antes de usar este producto.
	Superficie caliente	Para reducir el riesgo de lesiones corporales o daños materiales evite tocar toda superficie caliente.

# GLOSARIO DE TÉRMINOS

## **Activar (los controles de accionamiento)**

Es mover un control de accionamiento de manera que quede en una posición en la cual se accione la herramienta o cumpla con un requisito necesario para accionar la misma.

## **Accionar (la herramienta)**

Es producir el movimiento de los componentes de la herramienta específicos para introducir un sujetador (clavo o grapa, según sea el caso).

## **Conexión de entrada de aire**

Refiriéndose a herramientas neumáticas, es la abertura a la cual se conecta el suministro de aire comprimido, normalmente por medio de un conector roscado.

## **Sujetador**

Es una grapa, clavo, puntilla o cualquier otra pieza de unión diseñada y fabricada para utilizarse en las herramientas de este tipo.

## **Atoramiento**

Es una obstrucción en las zonas de alimentación o introducción de sujetadores (clavos o grapas) de la herramienta.

## **Presión de aire máxima**

Es la presión máxima permitida del aire comprimido, según las especificaciones del fabricante para la utilización de una herramienta.

## **Control de accionamiento**

Es un control que, por separado o como parte de un sistema de accionamiento de una herramienta, sirve para accionarla.

## **Accionamiento secuencial sencillo**

Es un sistema de accionamiento en el cual hay más de un control de accionamiento y éstos deben ser activados en una secuencia específica para accionar la herramienta. Puede ocurrir un accionamiento adicional cuando un control de accionamiento específico, que no sea el disparador de contacto, se suelta y se vuelve a activar.

## **Gatillo**

Es un control de accionamiento de una herramienta el cual maneja con los dedos el operador.

## **Pieza de trabajo**

Es el objeto específico en el cual se introduce un sujetador (clavo o grapa, según sea el caso) con una herramienta.

## **Disparador de contacto**

Es un elemento de control de accionamiento o un conjunto de tales elementos, el cual es activado al tocar el material en el que va a introducirse el sujetador.

# CARACTERÍSTICAS

## ESPECIFICACIONES DEL PRODUCTO

Presión de funcionamiento..... de 70-120 psi  
Tipo de sujetador ..... Clavos de acabado de calibre 18  
Gama de sujetadores:  
..... 15,87 mm (5/8 pulg.) - 50,8 mm (2 pulg.)

Capacidad del cargador..... 110 clavos  
Consumo de aire ..... 0,05 pies<sup>3</sup>/ciclo a 100 psi  
Entrada de aire ..... 1/4 pulg. NPT  
Peso ..... 1,31 kg (2,9 lb)

## FAMILIARÍCESE CON LA CLAVADORA DE PUNTILLAS

Vea la figura 1, página 15.

Para usar este producto con la debida seguridad se debe comprender la información indicada en la herramienta misma y en este manual, y se debe comprender también el trabajo que intenta realizar. Antes de usar este producto, familiarícese con todas las características de funcionamiento y normas de seguridad del mismo.

## ESCAPE AJUSTABLE

El escape puede ajustarse a una variedad de posiciones, según las preferencias del operador.

## AJUSTE DE LA PROFUNDIDAD DE INTRODUCCIÓN

El ajuste de la profundidad de introducción no requiere herramientas y permite al operador ajustar con precisión la profundidad de introducción del sujetador.

## SOLTADOR

Se suministra un soltador para facilitar el despeje de los infrecuentes atoramientos de puntillas.

## ALMOHADILLA PROTECTORA

La almohadilla protectora evita dañar y marcar las maderas suaves con la herramienta.

## CARGADOR DE CARGA LATERAL

El cargador de carga lateral puede cargarse fácilmente de sujetadores (puntillas, clavos o grapas, según sea el caso) en tres pasos.

## GATILLO

Su clavadora de puntillas tiene un gatillo de accionamiento secuencial sencillo para la colocación precisa de los sujetadores.

# ARMADO

## DESEMPAQUETADO

Embarcamos este producto completamente armado.

- Extraiga cuidadosamente de la caja la herramienta y los accesorios. Asegúrese de que estén presentes todos los artículos enumerados en la lista de empaquetado.

### ADVERTENCIA:

No utilice este producto si alguna pieza incluida en la lista de contenido ya está ensamblada al producto cuando lo desempaqueta. El fabricante no ensambla las piezas de esta lista en el producto. Éstas deben ser instaladas por el usuario. El uso de un producto que puede haber sido ensamblado de forma inadecuada podría causar lesiones personales graves.

- Inspeccione cuidadosamente la herramienta para asegurarse de que no haya sufrido ninguna rotura o daño durante el transporte.
- No deseche el material de empaquetado sin haber inspeccionado cuidadosamente la herramienta y haberla utilizado satisfactoriamente.
- Si hay piezas dañadas o faltantes, le suplicamos llamar al 1-800-525-2579, donde le brindaremos asistencia.

## LISTA DE EMPAQUETADO

Clavadora de puntillas  
Aceite  
Sujetadores de muestra  
Llaves hexagonales (3 mm y 4 mm)  
Manual del operador

### ADVERTENCIA:

No use este producto si no está totalmente ensamblado o si alguna pieza falta o está dañada. Si utiliza un producto que no se encuentra ensamblado de forma correcta y completa, puede sufrir lesiones graves.

### ADVERTENCIA:

No intente modificar esta herramienta ni hacer accesorios no recomendados para la misma. Cualquier alteración o modificación constituye maltrato el cual puede causar una condición peligrosa, y como consecuencia posibles lesiones corporales serias.

# FUNCIONAMIENTO

## PELIGRO:

No utilice oxígeno, gases combustibles ni gases embotellados como fuente de energía para esta herramienta. La herramienta explotará y causará la muerte o lesiones serias.

## ADVERTENCIA:

No permita que su familiarización con las herramientas lo vuelva descuidado. Tenga presente que un descuido de un instante es suficiente para causar una lesión seria.

## ADVERTENCIA:

Siempre al utilizar este equipo, póngase protección para los ojos con la marca de cumplimiento de la norma ANSI Z87.1, así como protección para los oídos y la cabeza. Si no cumple esta advertencia, los objetos que salen despedidos pueden producirle lesiones serias en los ojos.

## ADVERTENCIA:

Desconecte la herramienta del suministro de aire antes de abandonar el área de trabajo, de trasladar la herramienta a otro lugar y de alargar la herramienta a otra persona. La inobservancia de esta advertencia puede causar lesiones serias.

## USOS

Esta herramienta puede emplearse para los fines enumerados abajo:

- Acabado y ornamentación (interior y exterior)
- Ornamentación decorativa
- Libreros
- Rodapiés
- Armarios
- Parte trasera de libreros y armarios
- Cajones
- Molduras
- Marcos de espejos y pinturas
- Paneles
- Molduras de umbrales y bases
- Escaleras
- Paneles ornamentales para tapicería
- Enfrizado
- Rebordeado de ventanas
- Guardasillas
- Armazones de muebles
- Molduras de celosías
- Piezas de plástico clavables
- Manualidades

## ADVERTENCIA:

Siempre póngase protección ocular. La protección ocular no les queda a todos los operadores de la misma forma. Asegúrese de que la protección ocular escogida disponga de protectores laterales u ofrezca protección contra desechos disparados provenientes tanto del frente como de los lados.

## PREPARACIÓN DE LA HERRAMIENTA PARA UTILIZARLA

*Vea la figura 2, página 15.*

En condiciones normales, la herramienta debe lubricarse antes de conectarla a un suministro de aire. Vierta lubricante para herramientas neumáticas en la conexión del aire de la herramienta una vez al día, o dos veces si se usa intensivamente. Solamente son necesarias unas pocas gotas de aceite cada vez. Si se pone demasiado aceite se acumula dentro de la herramienta y estará presente en la fase de escape.

Antes de conectar la herramienta, revise el indicador del compresor de aire para asegurarse de que esté funcionando dentro del intervalo normal de 70 a 120 psi (lb./pulg. cuad.).

## ALMOHADILLA PROTECTORA

*Vea la figura 3, página 15.*

La almohadilla protectora montada en la disparador de contacto de la herramienta evita dañar y marcar las maderas suaves con la herramienta.

## ADVERTENCIA:

Desconecte la herramienta del suministro de aire antes de desmontar o volver a montar la almohadilla protectora. La inobservancia de esta advertencia puede causar lesiones serias.

La almohadilla protectora puede retirarse tirando de ella hacia abajo, separándola de la disparador de contacto de la herramienta. Para volver a montar la almohadilla protectora, acomódela en su lugar en la disparador de contacto de la herramienta y empújela hacia arriba por la parte de atrás para asentarla.

## AJUSTE DEL ESCAPE

*Vea la figura 4, página 15.*

El escape ajustable, situado en la tapa extrema de la herramienta, permite al operador dirigirlo en la dirección deseada. Para ajustar el escape, gire la tapa del mismo hasta que sope en la dirección deseada.



# FUNCIONAMIENTO

## **ADVERTENCIA:**

Desconecte la herramienta del suministro de aire antes de abandonar el área de trabajo, de trasladar la herramienta a otro lugar y de alargar la herramienta a otra persona. La inobservancia de esta advertencia puede causar lesiones serias.

## **CÓMO CONECTAR LA HERRAMIENTA A UN SUMINISTRO DE AIRE**

Vea la figura 5, página 15.

## **PELIGRO:**

No utilice oxígeno, gases combustibles ni gases embotellados como fuente de energía para esta herramienta. La herramienta explotará y causará la muerte o lesiones serias.

Esta herramienta está diseñada para funcionar con aire comprimido, seco y limpio, a presiones reguladas entre 70 y 120 psi. La presión correcta de aire es la presión menor que sirva para efectuar el trabajo.

**NOTA:** Una presión de aire mayor de 120 psi puede dañar la herramienta.

La herramienta debe tener una conexión de aire que permita descargar toda la presión de la herramienta al desconectarle el conector de la manguera de aire.

## **ADVERTENCIA:**

Siempre utilice una conexión de aire que descargue todo el aire comprimido contenido en la herramienta al momento de desconectarle la conexión de aire y el conector de la manguera de aire. Si utiliza una conexión de aire que no descargue el aire comprimido, podría hacer funcionar accidentalmente la herramienta, y se podrían producir lesiones serias.

## **ADVERTENCIA:**

No se suba a ningún equipo o andamio mientras acarree una herramienta conectada a una manguera de aire. La inobservancia de esta advertencia puede causar lesiones serias.

Conecte la herramienta al suministro de aire con un conector hembra rápido de 5,35 mm (1/4 pulg.).

## **OPERACIÓN DE CARGA DE LOS CLAVOS EN LA HERRAMIENTA**

Vea las figuras 6 - 7, página 15 - 16.

- Conecte la herramienta al suministro de aire.

## **ADVERTENCIA:**

El mecanismo de impulsión de la herramienta puede funcionar un ciclo al conectarse ésta al suministro de aire. Siempre conecte la herramienta al suministro de aire antes de cargarla de sujetadores (clavos o grapas, según sea el caso) para evitar lesiones causadas por el ciclo de funcionamiento indeseado. Siempre asegúrese de que el cargador de la herramienta esté vacío al inicio de cada serie de operaciones, antes de conectar la herramienta al suministro de aire.

## **ADVERTENCIA:**

Mantenga la herramienta apuntando en la dirección opuesta a donde se encuentra usted y otras personas mientras carga los clavos. La inobservancia de esta advertencia puede causar lesiones serias.

## **ADVERTENCIA:**

Solamente utilice los clavos recomendados para esta herramienta (consulte la guía de sujetadores). Si se utilizan otros clavos puede producirse un malfuncionamiento de la herramienta y posibles lesiones serias.

## **ADVERTENCIA:**

Nunca cargue los clavos teniendo activado el disparador de contacto o el gatillo. La inobservancia de esta advertencia puede causar lesiones serias.

- Empuje el pestillo para soltar y abrir el cargador.
- Teniendo la punta de la herramienta apuntando en la dirección opuesta a donde se encuentra usted, introduzca una tira de clavos en el cargador. Asegúrese de que los clavos estén apuntando hacia abajo.

## **COLOCACIÓN CORRECTA DE LOS CLAVOS**

- Los clavos siempre deben introducirse de manera que las puntas calcen en el riel de los clavos o estén lo más cerca posible del riel de los clavos.
- Las cabezas de los clavos deben apoyar sobre el borde superior de una costilla o dentro de un riel, entre dos costillas.
- Las cabezas de los clavos nunca deben estar sobre una costilla sin que apoyen sobre el borde de la costilla. No coloque las cabezas de los clavos en el centro de una costilla.
- La tira de clavos no debe centrarse en el cargador ni colocarse en la parte superior del cargador.
- Si las puntas de los clavos no apoyan dentro del riel, sin apoyar incorrectamente sobre una costilla, mueva la tira de clavos levemente hacia arriba, hasta que las cabezas apoyen sobre el borde superior de una costilla.
- Para cerrar el cargador, oprima el pestillo y empuje el cargador hacia adelante. Suelte el pestillo y asegúrese de que esté firmemente fijo en su lugar antes de clavar un clavo.

# FUNCIONAMIENTO

## INTRODUCIR UN SUJETADOR

Vea las figura 8, página 16.



### ADVERTENCIA:

Nunca detenga con una cuña ni de ninguna otra forma el mecanismo del disparador de contacto al utilizar la herramienta. La inobservancia de esta advertencia puede causar lesiones serias.

## ACCIONAMIENTO SECUENCIAL SENCILLO

El accionamiento secuencial sencillo permite lograr la colocación más exacta del sujetador.

- Conecte la herramienta al suministro de aire.
- Sujete firmemente la herramienta para mantener el control. Coloque la punta de la herramienta en la superficie de trabajo.
- Oprima la herramienta contra la superficie de trabajo para oprimir el disparador de contacto.
- Para introducir un sujetador, oprima el gatillo.
- Permita que la herramienta se retraiga de la superficie de trabajo al impulsar el sujetador.



### ADVERTENCIA:

**Durante el uso normal de la herramienta, ésta se retrae de inmediato después de introducir un sujetador. Así es el funcionamiento normal de la herramienta.** No intente impedir la retracción presionando la clavadora contra la pieza de trabajo. Toda restricción impuesta a la retracción puede producir la impulsión de un segundo sujetador en la clavadora. Sujete firmemente el mango, permita a la herramienta que haga el trabajo y no coloque la otra mano encima de la herramienta ni cerca del escape de aire en ningún momento. La inobservancia de esta advertencia puede causar lesiones corporales serias.

## AJUSTE DE LA PRESIÓN DE AIRE

La cantidad presión de aire requerida depende del tamaño de los clavos y del material de la pieza de trabajo.

Comience por probar la profundidad de introducción introduciendo un clavo de prueba en el mismo tipo de material de la pieza de trabajo que va a usarse en el trabajo en la realidad.

Introduzca un clavo de prueba con la presión de aire puesta de 90 a 95 psi (lb./pulg. cuad.). Suba o baje la presión de aire hasta encontrar el nivel más bajo con el que pueda efectuarse el trabajo con resultados uniformes.

Puede ser posible lograr la profundidad deseada solamente con ajustes en la presión de aire. Si se necesitan ajustes más finos, use el ajuste de profundidad de introducción de la herramienta.

## AJUSTE DE LA PROFUNDIDAD DE INTRODUCCIÓN

Vea la figura 9, página 16.

Puede ajustarse la profundidad de introducción del clavo. Se recomienda probar la profundidad de introducción en un pedazo de desecho para determinar la profundidad requerida en cada caso en particular.

Para determinar la profundidad, primero ajuste la presión de aire y luego introduzca un clavo de prueba. Para lograr la profundidad deseada, use el ajuste de profundidad de introducción de la herramienta.

- Desconecte la herramienta del suministro de aire.
- Para cambiar la profundidad de introducción, gire a la izquierda o derecha el selector de profundidad.
- Vuelva a conectar la herramienta al suministro de aire.
- Después de cada ajuste introduzca un clavo de prueba hasta lograr la profundidad deseada.



### ADVERTENCIA:

Desconecte la herramienta del suministro de aire antes de retirar los clavos. La inobservancia de esta advertencia puede causar lesiones serias.

## CÓMO RETIRAR LOS CLAVOS DE LA HERRAMIENTA

Vea la figura 10, página 16.

- Desconecte la herramienta del suministro de aire.
- Para retirar una tira de clavos de la herramienta, oprima el pestillo situado en la parte posterior del cargador y abra éste con un movimiento de deslizamiento.
- Retire la tira de clavos.
- Para cerrar el cargador, oprima el pestillo y empuje el cargador hacia adelante. Suelte el pestillo para mantener el cargador en su lugar.

## CÓMO RETIRAR UN SUJETADOR ATORADO

Vea la figura 11, página 16.



### ADVERTENCIA:

Desconecte la herramienta del suministro de aire antes de desatorar un sujetador (clavo o grapa, según sea el caso) atorado. La inobservancia de esta advertencia puede causar lesiones serias.

Si se atora un sujetador (clavo o grapa, según sea el caso) en la herramienta, desconecte la manguera de aire y mantenga la herramienta apuntando en la dirección opuesta a donde se encuentra usted mientras desatora el sujetador.

- Desconecte la herramienta del suministro de aire.
- Retire de la herramienta todos los sujetadores.
- Tire del pestillo hacia arriba y abra el soltador.
- Introduzca un destornillador de punta plana en el mecanismo de impulsión y empuje hacia atrás éste, para desalojar el sujetador atorado.
- Retire el sujetador doblado.
- Cierre el soltador y el pestillo.
- Vuelva a conectar la herramienta al suministro de aire.
- Vuelva a introducir los sujetadores.

# MANTENIMIENTO

## **ADVERTENCIA:**

Para el servicio de la unidad sólo utilice piezas de repuesto idénticas. El empleo de piezas diferentes puede causar un peligro o dañar el producto.

## **ADVERTENCIA:**

Siempre al utilizar este equipo, póngase protección para los ojos con la marca de cumplimiento de la norma ANSI Z87.1, así como protección para los oídos y la cabeza. Si no cumple esta advertencia, los objetos que salen despedidos pueden producirle lesiones serias en los ojos.

## **ADVERTENCIA:**

Desconecte la herramienta del suministro de aire antes de efectuar tareas de mantenimiento. La inobservancia de esta advertencia puede causar lesiones serias.

## MANTENIMIENTO GENERAL

Evite el empleo de solventes al limpiar piezas de plástico. La mayoría de los plásticos son susceptibles a diferentes tipos de solventes comerciales y pueden resultar dañados. Utilice paños limpios para eliminar la suciedad, el polvo, el aceite, la grasa, etc.

## **ADVERTENCIA:**

No permita en ningún momento que fluidos para frenos, gasolina, productos a base de petróleo, aceites penetrantes, etc., lleguen a tocar las piezas de plástico. Las sustancias químicas pueden dañar, debilitar o destruir el plástico, lo cual a su vez puede producir lesiones corporales serias.

## LUBRICACIÓN

Para obtener un desempeño óptimo de la herramienta se requiere una lubricación frecuente, pero no excesiva. El aceite para herramientas neumáticas de clavar vertido por la conexión del conducto de aire lubrica las partes internas. No utilice aceite con detergente ni aditivos, ya que estos lubricantes propician un desgaste rápido de los sellos y parachoques de la herramienta, lo cual causa un desempeño inadecuado de la herramienta y la necesidad de mantenimiento frecuente.

## UTILIZACIÓN DE LA HERRAMIENTA EN TIEMPO FRÍO

Para utilizar la herramienta en tiempo frío, cerca de la temperatura de congelación y abajo de la misma, puede congelarse la humedad presente en el conducto de aire y puede impedir el funcionamiento de la herramienta. Recomendamos utilizar lubricante para herramientas neumáticas o anticongelante permanente (etilenglicol) como lubricante para clima frío.

## **PRECAUCIÓN:**

Con el fin de evitar la formación de escarcha o hielo en las válvulas y mecanismos de operación de las herramientas que pudiera causar una falla de las mismas, no las guarde en lugares fríos y posibles lesiones.

**NOTA:** Algunos líquidos comerciales para secar conductos de aire dañan los sellos y las juntas tóricas. No use estos secadores de aire para baja temperatura sin verificar la compatibilidad de los mismos.

## PRESIÓN Y VOLUMEN DEL SUMINISTRO DE AIRE

El volumen de aire es tan importante como la presión del mismo. El volumen de aire suministrado a la herramienta puede ser insuficiente a causa de conexiones y mangueras de tamaño insuficiente, o por los efectos de la suciedad y el agua presentes en el sistema. Toda limitación en el flujo de aire impide a la herramienta recibir un volumen adecuado de aire, incluso si está elevada la lectura de la presión. El resultado de tales circunstancias puede ser funcionamiento lento o fuerza de introducción reducida. Antes de evaluar los problemas de la herramienta a causa de estos síntomas, revise el suministro de aire desde la herramienta hasta la fuente de suministro para ver si hay conectores limitantes o puntos bajos con contenido de agua y cualquier otra cosa que pueda impedir el flujo pleno de aire a la herramienta.

# MANTENIMIENTO

## LISTA DE CONTROL DIARIA OBLIGATORIA

- Desconecte el suministro de aire de la herramienta y retire todos los sujetadores.
- Verifique todos los tornillos, tuercas, pernos y vástagos de la herramienta. Si hay alguno suelto, debe ser ajustado con una llave del tamaño adecuado.
- Presione el elemento de contacto con la pieza de trabajo contra ella para asegurarse de que se mueva suavemente.
- Con el elemento de contacto con la pieza de trabajo presionado, oprima el gatillo. El gatillo debe moverse suavemente, sin atascarse.
- Mientras la herramienta no esté cargada, conecte el suministro de aire adecuado (70 psi) a la herramienta.
- Sin oprimir el gatillo, desenganche el seguro de disparo en seco (si corresponde) y presione varias veces el elemento de contacto con la pieza de trabajo contra ella. La herramienta no debe funcionar. No debe haber una fuga de aire de la herramienta.
- Con el elemento de contacto con la pieza de trabajo sin contacto con ella, apunte la herramienta hacia abajo y hacia afuera y oprima el gatillo varias veces. Sostenga el gatillo en esta posición durante, al menos, 5 segundos. La herramienta no debe funcionar.
- Presione el elemento de contacto con la pieza de trabajo firmemente contra ella. Oprima el gatillo. La herramienta debe funcionar.
- Con el elemento de contacto con la pieza de trabajo todavía presionado, suelte el gatillo. El impulsor debe volver a la posición superior.
- Si la herramienta cumple con todos los requisitos de esta lista, está preparada para usar. Cargue los sujetadores adecuados para la aplicación deseada.
- Ajuste la profundidad de introducción según la sección **Ajuste de la profundidad de Introducción** de este manual. Recorra esta lista de verificación antes de usar la herramienta cada día, o si se cayó o se dañó de alguna manera.

# ACCESORIOS

Para pedir piezas y juegos de mantenimiento, llame al 1-800-525-2579.

Juego de mantenimiento general.....	079023001059
Juego de mantenimiento del sistema impulsor .....	019024001022
Juego del conjunto del impulsor .....	079024001701
Aceite y Juego de Llave .....	079024001023
Juego de de la válvula del gatillo .....	079023001705



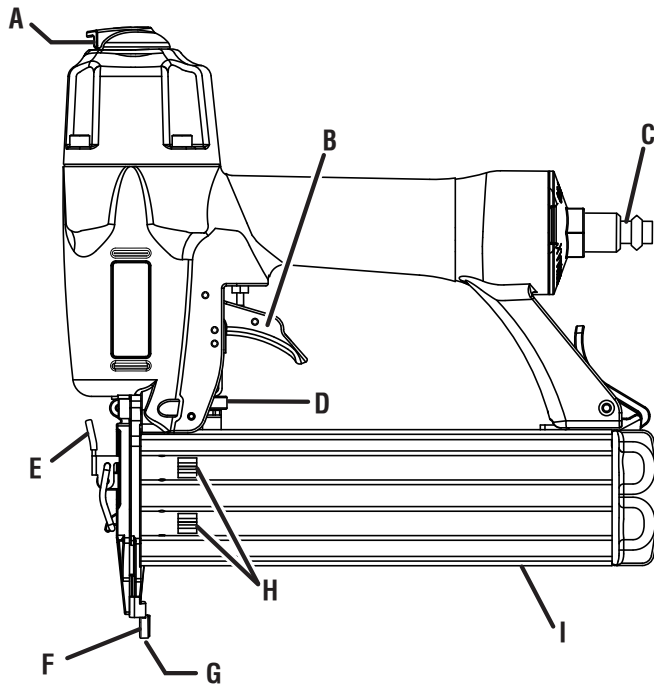
### ADVERTENCIA:

Arriba se señalan los aditamentos y accesorios disponibles para usarse con esta herramienta. No utilice ningún aditamento o accesorio no recomendado por el fabricante de esta herramienta. El empleo de aditamentos o accesorios no recomendados podría causar lesiones serias.

# SOLUCIÓN DE PROBLEMAS

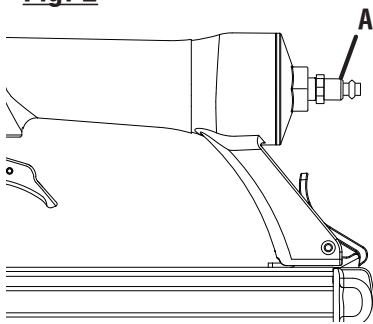
PROBLEMA	CAUSA POSIBLE	SOLUCIÓN
Fuga de aire cerca de la parte superior de la herramienta o junto al gatillo	Tornillos sueltos Juntas tóricas o sellos gastados o dañados	Apriete los tornillos Instale el juego de mantenimiento general
Fuga de aire cerca de la parte inferior de la herramienta	Juntas tóricas o tope gastados o dañados	Instale el juego de mantenimiento general
La herramienta no hace nada o funciona con lentitud	Suministro de aire inadecuado Lubricación inadecuada Juntas tóricas o tope gastados o dañados	Verifique que haya un suministro de aire adecuado Lubrique la herramienta Instale el juego de mantenimiento general
La herramienta sufre atoramientos con frecuencia	Sujetadores inadecuados Sujetadores dañados Afloje el cargador Cargador sucio Sistema impulsor gastado o dañado	Verifique que sean del tamaño correcto los sujetadores Cambie los sujetadores Apriete los tornillos Limpie el cargador Instale el juego de mantenimiento del sistema impulsor

**Fig. 1**



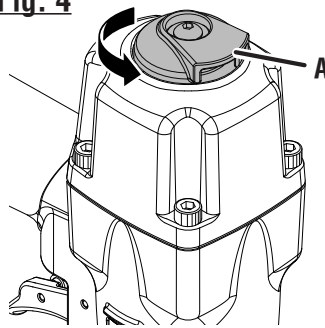
- A - Adjustable exhaust (échappement réglable, escape ajustable)
- B - Trigger (gâchette, gatillo)
- C - Quick-connect air fitting (connecteur rapide raccord d'air, conexión de aire de conexión rápida)
- D - Depth of drive adjustment (réglage de profondeur d'enfoncement, ajuste de la profundidad de introducción)
- E - Jam release (déblocage, soldador)
- F - No-mar nosepiece (bout de protection, almohadilla protectora)
- G - Workpiece contact (contact de déclenchement, disparador de contacto)
- H - Reload indicator (indicateur de recharge, indicador de agotamiento de carga)
- I - Side-loading magazine (magasin à chargement latéral, cargador de carga lateral)

**Fig. 2**



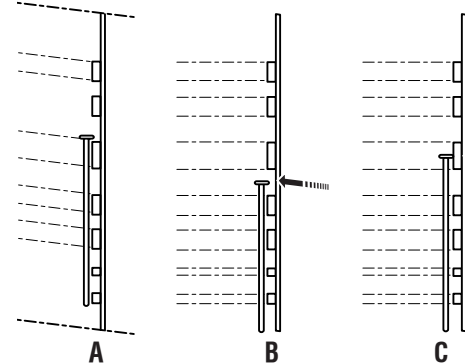
- A - Quick-connect air fitting (connecteur rapide raccord d'air, conexión de aire de conexión rápida)

**Fig. 4**



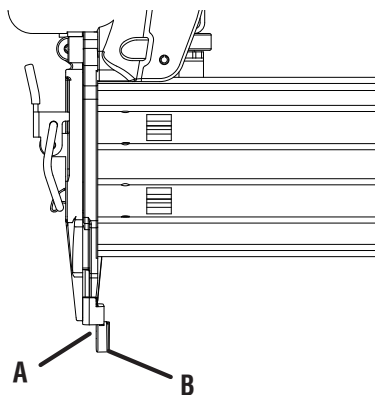
- A - Adjustable exhaust (échappement réglable, escape ajustable)

**Fig. 6**



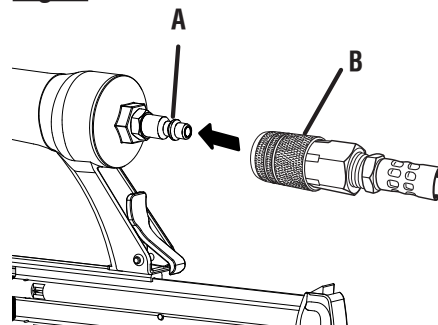
- A - Correct placement: nail head sits on the upper edge of a rib  
(Positionnement correct : la tête du clou repose sur l'arête supérieure de l'épaulment, Colocación correcta: la cabeza del calvo apoya sobre el borde superior de una costilla)
- B - Correct placement: nail head sits between ribs  
(Positionnement correct : la tête du clou repose entre les épaulements, Colocación correcta: la cabeza del calvo apoya entre las costillas)
- C - Incorrect placement: nail head sits on top of a rib  
(Positionnement incorrect : la tête du clou repose sur le dessus de l'épaulment, Colocación incorrecta: la cabeza del clavo apoya sobre una costilla)

**Fig. 3**



- A - Workpiece contact (contact de déclenchement, disparador de contacto)
- B - No-mar nosepiece (bout de protection, almohadilla protectora)

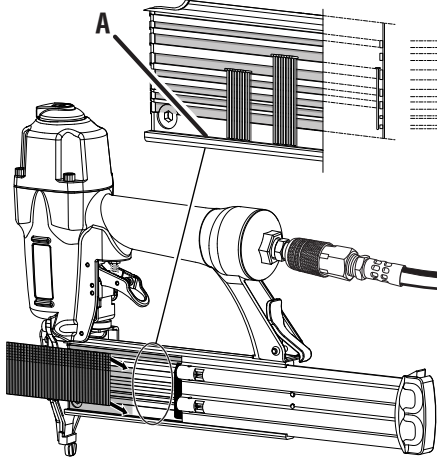
**Fig. 5**



- A - Quick-connect air fitting (connecteur rapide raccord d'air, conexión de aire de conexión rápida)
- B - Air hose connector (connecteur de flexible d'air, conector de la manguera de aire)

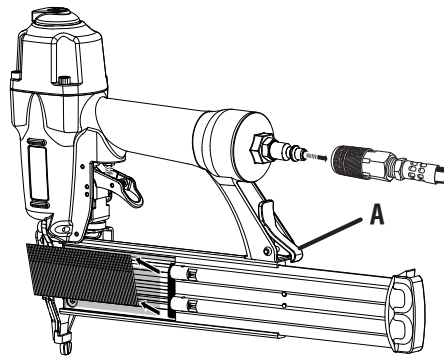


**Fig. 7**



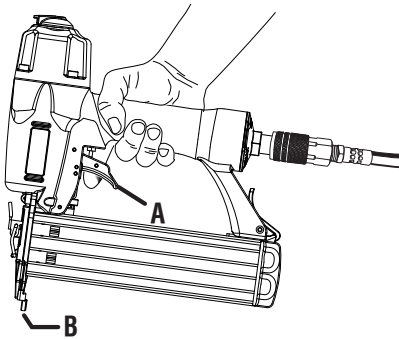
A - Nail track (guide, riel de los clavos)

**Fig. 10**



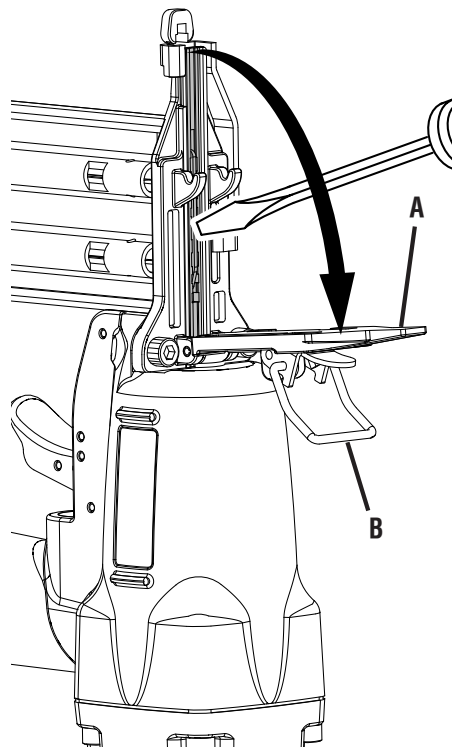
A - Latch (loquet, pestillo)

**Fig. 8**



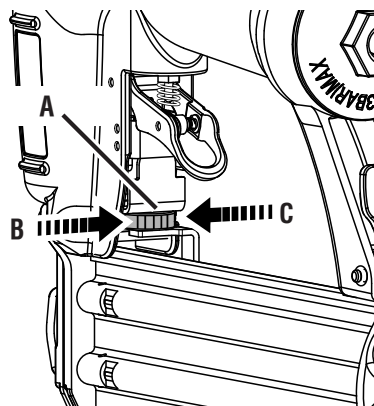
A - Trigger (gâchette, gatillo)  
B - Workpiece contact (contact de déclenchement, disparador de contacto)

**Fig. 11**



A - Jam release (déblocage, soltador)  
B - Latch (loquet, pestillo)

**Fig. 9**



A - Drive depth adjustment (réglage de profondeur d'enfoncement, ajuste de la profundidad de introducción)  
B - To decrease depth (pour réduire la profondeur, para disminuir la profundidad)  
C - To increase depth (pour augmenter la profondeur, para aumentar la profundidad)





**OPERATOR'S MANUAL  
 MANUEL D'UTILISATION  
 MANUAL DEL OPERADOR**

**18 GAUGE BRAD NAILER  
 CALIBRE 18, CLOUEUSE DE FINITION  
 CALIBRE 18, CLAVADORA DE PUNTILLAS  
 YN200BND**



**WARNING:**

The engine exhaust from this product contains chemicals known to the State of California to cause cancer, birth defects, or other reproductive harm.

**CALIFORNIA PROPOSITION 65**



**AVERTISSEMENT :**

Les gaz d'échappement de ce produit contiennent des produits chimiques identifiés par l'état de Californie comme causes de cancer, de malformations congénitales et d'autres troubles de l'appareil reproducteur.

**PROPOSITION 65 DE L'ÉTAT DE CALIFORNIE**



**ADVERTENCIA:**

Las emanaciones provenientes del escape del motor de este producto contienen sustancias químicas reconocidas por el estado de California como causantes de cáncer, defectos congénitos y otras afecciones del aparato reproductor.

**CALIFORNIA - PROPUESTA DE LEY NÚM. 65**

Ryobi® is a registered trademark of Ryobi Limited used under license.

Ryobi® est une marque déposée de Ryobi Limited utilisée sous licence.

Ryobi® es una marca comercial registrada de Ryobi Limited y es empleada mediante autorización.

**• PARTS AND SERVICE**

Prior to requesting service or purchasing replacement parts, please obtain your model and serial number from the product data plate.

**• MODEL NO. YN200BND SERIAL NO. \_\_\_\_\_**

**• HOW TO OBTAIN REPLACEMENT PARTS:**

Replacement parts can be purchased online at [www.ryobitools.com](http://www.ryobitools.com) or by calling 1-800-860-4050. Replacement parts can also be obtained at one of our Authorized Service Centers.

**• HOW TO LOCATE AN AUTHORIZED SERVICE CENTER:**

Authorized Service Centers can be located online at [www.ryobitools.com](http://www.ryobitools.com) or by calling 1-800-860-4050.

**• HOW TO OBTAIN CUSTOMER OR TECHNICAL SUPPORT:**

To obtain Customer or Technical Support please contact us at 1-800-860-4050.

• • • • •

**• PIÈCES ET SERVICE**

Avant de faire la demande de service ou l'achat de pièces de remplacement, veuillez obtenir le numéro de série du modèle à partir de la plaque de données du produit.

**• NUMÉRO DE MODÈLE YN200BND NUMÉRO DE SÉRIE \_\_\_\_\_**

**• COMMENT OBTENIR LES PIÈCES DE REMPLACEMENT :**

Les pièces de remplacement peuvent être achetées en ligne sur le site [www.ryobitools.com](http://www.ryobitools.com) ou par téléphone au 1-800-860-4050. Les pièces de remplacement peuvent être obtenues à un de nos centres de service autorisés.

**• COMMENT TROUVER UN CENTRE DE SERVICE AUTORISÉ :**

Les centres de service autorisés peuvent être localisés en ligne au [www.ryobitools.com](http://www.ryobitools.com) ou en téléphonant au 1-800-860-4050.

**• COMMENT OBTENIR DE L'AIDE EN CONTACTANT LE SERVICE À LA CLIENTÈLE :**

Pour contacter le service à la clientèle pour une question technique ou pour tout autre renseignement, veuillez nous téléphoner au 1-800-860-4050.

• • • • •

**• PIEZAS DE REPUESTO Y SERVICIO**

Antes de solicitar servicio técnico o comprar piezas de repuesto, obtenga su modelo y número de serie de la placa de datos del producto.

**• NÚMERO DE MODELO YN200BND NÚMERO DE SERIE \_\_\_\_\_**

**• CÓMO OBTENER PIEZAS DE REPUESTO:**

Las piezas de repuesto se pueden comprar en nuestro sitio en la red mundial, en la dirección [www.ryobitools.com](http://www.ryobitools.com) o llamando al 1-800-860-4050. Las piezas de repuesto también se pueden obtener en uno de nuestros Centros de Servicio Autorizados.

**• CÓMO LOCALIZAR UN CENTRO DE SERVICIO AUTORIZADO:**

Puede encontrar los Centros de Servicio Autorizados visitando nuestro sitio en la red mundial, en la dirección [www.ryobitools.com](http://www.ryobitools.com) or by calling 1-800-860-4050.

**• CÓMO OBTENER SERVICIO O ASISTENCIA TÉCNICA AL CONSUMIDOR:**

Para obtener Servicio o Asistencia Técnica al Consumidor, sírvase comunicarse con nosotros llamando al 1-800-860-4050.

**TECHTRONIC INDUSTRIES NORTH AMERICA, INC.**

1428 Pearman Dairy Road, Anderson, SC 29625 USA

1-800-860-4050 • [www.ryobitools.com](http://www.ryobitools.com)

## Free Manuals Download Website

<http://myh66.com>

<http://usermanuals.us>

<http://www.somanuals.com>

<http://www.4manuals.cc>

<http://www.manual-lib.com>

<http://www.404manual.com>

<http://www.luxmanual.com>

<http://aubethermostatmanual.com>

Golf course search by state

<http://golfingnear.com>

Email search by domain

<http://emailbydomain.com>

Auto manuals search

<http://auto.somanuals.com>

TV manuals search

<http://tv.somanuals.com>