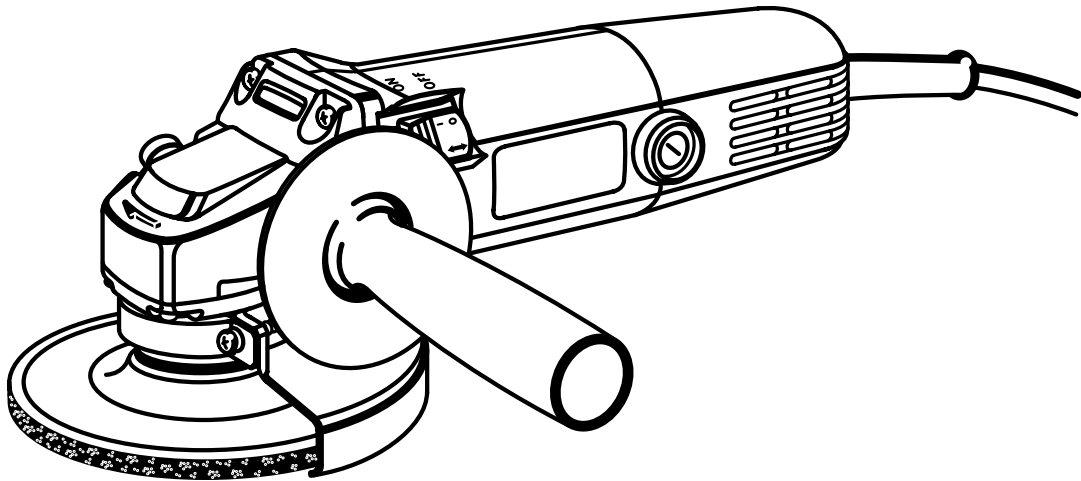


# RYOBI<sup>®</sup> OWNER'S OPERATING MANUAL

## 4-1/2 in. (115 mm) Angle Grinder

### Model G1151C / Double Insulated



SPECIFICATIONS:	
Grinding Wheel Capacity	4-1/2 in. (115 mm)
Rating	120 Volts, 60 Hz, AC Only
No Load Speed	11,000 RPM
Amperes	6 Amperes
Spindle Thread Size	5/8-11 UNC
Overall Length	10-5/16 in. (262 mm)
Net Weight	5.3 lbs. (2.4 kg.)

#### THANK YOU FOR BUYING A RYOBI ANGLE GRINDER.

Your new angle grinder has been engineered and manufactured to Ryobi's high standard for dependability, ease of operation, and operator safety. Properly cared for, it will give you years of rugged, trouble-free performance.

**⚠ CAUTION: Carefully read through this entire owner's manual before using your new angle grinder.**

Pay close attention to the Rules for Safe Operation, Warnings, and Cautions. If you use your grinder properly and only for what it is intended, you will enjoy years of safe, reliable service.

Please fill out and return the Warranty Service Registration Card so that we can be of future service to you.

Thank you again for buying Ryobi tools.

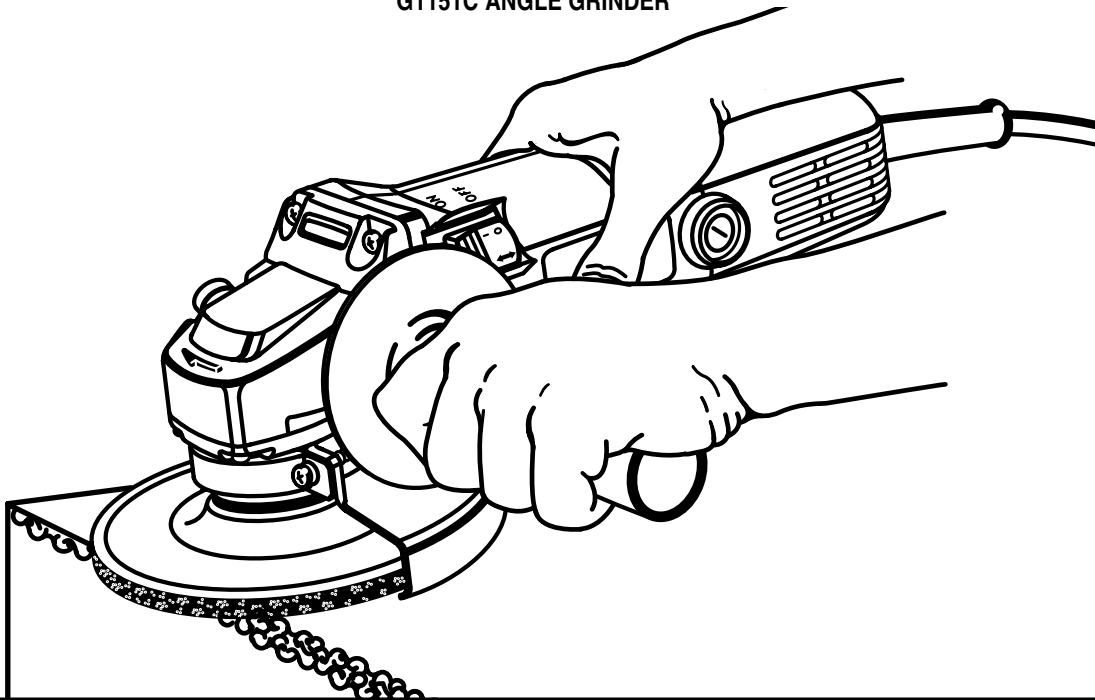
**SAVE THIS MANUAL FOR FUTURE REFERENCE**

# TABLE OF CONTENTS

■ Product Specifications .....	1
■ Typical Application .....	2
■ Rules For Safe Operation .....	3-6
■ Unpacking .....	6
■ Features .....	7
■ Adjustments .....	8-9
■ Operation .....	9-10
■ Maintenance .....	11-12
■ Parts Ordering / Service .....	14

## TYPICAL APPLICATION

G1151C ANGLE GRINDER



# RULES FOR SAFE OPERATION

The purpose of safety symbols is to attract your attention to possible dangers. The safety symbols, and the explanations with them, deserve your careful attention and understanding. The safety warnings do not by themselves eliminate any danger. The instructions or warnings they give are not substitutes for proper accident prevention measures.

## SYMBOL MEANING



### SAFETY ALERT SYMBOL:

Indicates caution or warning. May be used in conjunction with other symbols or pictographs.



**DANGER:** Failure to obey a safety warning will result in serious injury to yourself or to others. Always follow the safety precautions to reduce the risk of fire, electric shock and personal injury.



**WARNING:** Failure to obey a safety warning can result in serious injury to yourself or to others. Always follow the safety precautions to reduce the risk of fire, electric shock and personal injury.



**CAUTION:** Failure to obey a safety warning may result in property damage or personal injury to yourself or to others. Always follow the safety precautions to reduce the risk of fire, electric shock and personal injury.

**NOTE:** Advises you of information or instructions vital to the operation or maintenance of the equipment.

## DOUBLE INSULATION

Double insulation is a concept in safety, in electric power tools, which eliminates the need for the usual three-wire grounded power cord. All exposed metal parts are isolated from the internal metal motor components with protecting insulation. Double insulated tools do not need to be grounded.

## IMPORTANT

Servicing of a tool with double insulation requires extreme care and knowledge of the system and should be performed only by a qualified service technician. For service we suggest you return the tool to your nearest **RYOBI FACTORY** or **AUTHORIZED SERVICE CENTER** for repair. When servicing use only identical Ryobi replacement parts.



### WARNING:

The double insulated system is intended to protect the user from shock resulting from a break in the tool's internal wiring. Observe all normal safety precautions related to avoiding electrical shock.



### WARNING:

Do not attempt to operate this tool until you have read thoroughly and understand completely all instructions, safety rules, etc. contained in this manual. Failure to comply can result in accidents involving fire, electric shock, or serious personal injury. Save owner's manual and review frequently for continuing safe operation, and instructing others who may use this tool.



### WARNING:



The operation of any grinder can result in foreign objects being thrown into your eyes, which can result in severe eye damage. Before beginning power tool operation, always wear safety goggles or safety glasses with side shields and a full face shield when needed. We recommend Wide Vision Safety Mask for use over eyeglasses or standard safety glasses with side shields.

## RULES FOR SAFE OPERATION (Continued)

### READ ALL INSTRUCTIONS

- 1. KNOW YOUR POWER TOOL.** Read owner's manual carefully. Safe operation of this power tool requires that you read and understand this owner's manual and all labels affixed to the tool. Learn its applications and limitations as well as the specific potential hazards related to this tool.
- 2. GUARD AGAINST ELECTRICAL SHOCK.** Prevent body contact with grounded surfaces. For example: Pipes, radiators, ranges, refrigerator enclosures.
- 3. KEEP GUARDS IN PLACE** and in good working order.
- 4. KEEP THE WORK AREA CLEAN.** Cluttered work areas and work benches invite accidents.
- 5. DON'T USE IN DANGEROUS ENVIRONMENTS.** Don't use power tools in damp or wet locations or expose them to rain. Keep the work area well lit.
- 6. KEEP CHILDREN AND VISITORS AWAY FROM POWER TOOLS.** Do not let visitors contact tool or extension cord. All visitors should wear safety glasses and be kept a safe distance from work area.
- 7. STORE IDLE TOOLS.** When not in use tools should be stored in a dry and high or locked-up place — out of the reach of children.
- 8. DON'T FORCE THE TOOL.** It will do the job better and safer at the rate for which it was designed.
- 9. USE THE RIGHT TOOL.** Don't force a small tool or attachment to do the job of a heavy duty tool. Don't use the tool for a purpose not intended — for example — A circular saw should never be used for cutting tree limbs or logs.
- 10. WEAR PROPER APPAREL.** Do not wear loose clothing, neckties, rings, bracelets, or other jewelry that can get caught in the tool's moving parts and cause personal injury. Rubber gloves and nonskid footwear are recommended when working outdoors. Wear protective hair covering to contain long hair and keep it from being drawn into air vents or getting caught in rotating parts.
- 11. ALWAYS WEAR SAFETY GLASSES.** Everyday eyeglasses have only impact-resistant lenses; they are **NOT** safety glasses.
- 12. PROTECT YOUR LUNGS.** Wear a face or dust mask if operation is dusty.
- 13. PROTECT YOUR HEARING.** Wear hearing protection during extended periods of operation.
- 14. DON'T ABUSE THE CORD.** Never carry the tool by its cord or yank the cord to disconnect it from the receptacle. Keep the cord from heat, oil and sharp edges.
- 15. SECURE THE WORK.** Use clamps or a vise to hold the work when practical. It's safer than using your hand and it frees both hands to operate the tool.
- 16. DON'T OVERREACH.** Keep proper footing and balance at all times. Do not use on a ladder or unstable support.
- 17. MAINTAIN TOOLS WITH CARE.** Keep tools sharp and clean for best and safest performance. Follow instructions for lubricating and changing accessories.
- 18. DISCONNECT TOOLS.** When not in use, before servicing, or when changing attachments, blades, bits, cutters, etc., all tools should be disconnected from power supply.
- 19. REMOVE ADJUSTING KEYS AND WRENCHES.** Get in the habit of checking to see that keys and adjusting wrenches are removed from the tool before turning it on.
- 20. AVOID ACCIDENTAL STARTING.** Don't carry plugged-in tools with finger on switch. Be sure the switch is off when plugging in.
- 21. MAKE SURE YOUR EXTENSION CORD IS IN GOOD CONDITION.** When using an extension cord, be sure to use one heavy enough to carry the current your product will draw. An undersized cord will cause a drop in line voltage resulting in loss of power and overheating. A wire gage size (A.W.G.) of at least 14 is recommended for an extension cord 50 feet or less in length. A cord exceeding 100 feet is not recommended. If in doubt, use the next heavier gage. The smaller the gage number, the heavier the cord.
- 22. OUTDOOR USE EXTENSION CORDS.** When tool is used outdoors, use only extension cords suitable for use outdoors. Outdoor approved cords are marked with the suffix W-A, for example - SJTW-A or SJOW-A.

## RULES FOR SAFE OPERATION (Continued)

23. **NEVER OPERATE GRINDER** without using a guard.
24. **KEEP HANDS AWAY FROM GRINDING AREA.**
25. **NEVER USE IN AN EXPLOSIVE ATMOSPHERE.** Normal sparking of the motor could ignite fumes.
26. **INSPECT TOOL CORDS PERIODICALLY** and if damaged, have repaired at your nearest **RYOBI FACTORY** or **AUTHORIZED SERVICE CENTER.** Stay constantly aware of cord location.
27. **INSPECT EXTENSION CORDS PERIODICALLY** and replace if damaged.
28. **KEEP THE TOOL AND ITS HANDLE DRY, CLEAN, AND FREE FROM OIL AND GREASE.** Always use a clean cloth when cleaning. Never use brake fluids, gasoline, petroleum-based products, or any strong solvents to clean your tool.
29. **STAY ALERT.** Watch what you are doing and use common sense. Do not operate tool when you are tired. Do not rush.
30. **CHECK DAMAGED PARTS.** Before further use of the tool, a guard or other part that is damaged should be carefully checked to determine that it will operate properly and perform its intended function. Check for alignment of moving parts, binding of moving parts, breakage of parts, mounting, and any other conditions that may affect its operation. A guard or other part that is damaged should be properly repaired or replaced by an authorized service center unless indicated elsewhere in this instruction manual.
31. **DO NOT USE A TOOL IF THE SWITCH DOES NOT TURN IT ON AND OFF.** Have defective switches replaced by a **RYOBI FACTORY** or **AUTHORIZED SERVICE CENTER.**
32. **NEVER LEAVE THE TOOL RUNNING UNATTENDED.** Turn off the power. Do not leave the tool until it comes to a complete stop.
33. **DRUGS, ALCOHOL, MEDICATION. DO NOT** operate tool while under the influence of drugs, alcohol, or any medication.
34. **REPLACEMENT PARTS.** When servicing, use only identical Ryobi replacement parts.
35. **POLARIZED PLUGS.** To reduce the risk of electric shock, this tool has a polarized plug (one blade is wider than the other). This plug will fit in a polarized outlet only one way. If the plug does not fit fully in the outlet, reverse the plug. If it still does not fit, contact a qualified electrician to install the proper outlet. Do not change the plug in any way.
36. **NEVER USE A TOOL IF ITS COVER OR ANY BOLTS ARE MISSING.** If the cover or bolts have been removed, replace them prior to use. Maintain all parts in good working order.
37. **ALWAYS TURN THE SWITCH OFF** before disconnecting grinder to avoid accidental starting.
38. **ALL REPAIRS, WHETHER ELECTRICAL OR MECHANICAL,** should be made at a **RYOBI FACTORY** or **AUTHORIZED SERVICE CENTER.**
39. **SAVE THESE INSTRUCTIONS.** Review them frequently and use them to instruct others who may use this tool. If you loan someone this tool, loan them these instructions also.



**Look for this symbol to point out important safety precautions. It means attention!!! Your safety is involved.**

# SAVE THESE INSTRUCTIONS

## SPECIFIC RULES FOR SAFE OPERATION FOR ANGLE GRINDERS

1. Grinding wheel and guard must be securely attached as described in this operating manual before connecting the grinder to a power source.
2. Grinding wheels must be stored in a dry place.
3. Before attaching the grinding wheel, inspect it for visible defects. If cracked, chipped, or warped, do not install it.
4. Do not overtighten the clamp nut on the grinding wheel. Excessive tightening can cause the wheel to crack during operation
5. Make sure that the guard is in good condition and securely installed before operating grinder.
6. Do not clamp the grinder in a vise or use as a fixed grinder.
7. Never turn on the grinder with the grinding wheel or any rotating parts touching the workpiece.
8. Use only grinding wheels in compliance with ANSI standards and rated greater than 11,000 rpm.
9. Do not use the grinder if the disc flange or clamp nut is missing or if the spindle is bent.
10. Always hold the grinder securely with two hands while working and at all times when it is running.
11. Never cover the air vents in the motor housing with your hands while operating the grinder.
12. Hold the tool away from your body while it is running. Keep your hands away from the abrasive attachments.
13. Dust and waste materials should not be allowed to build up in the workshop. Hot metal sparks could start a fire.
14. Do not remove the soft paper in the center of the grinding wheel. **NOTE:** If this paper has been previously removed, insert some soft rubber or paper between the grinding wheel and disc flange.
15. Do not enlarge or alter the center hole of the grinding wheel as this could result in breaking it.
16. Use only the normal grinder surface. Never use the side or upper surfaces for cutting.

## UNPACKING

With the exception of the side handle and grinding wheel, your angle grinder has been shipped completely assembled.

- Carefully remove the grinder and accessories from the box. Make sure that all items listed in the packing list are included.
- Inspect grinder carefully to make sure no breakage or damage has occurred during shipping.
- If any parts are damaged or missing, contact your nearest Ryobi dealer to obtain replacement parts before attempting to operate grinder.
- Do not discard the packing material until you have carefully inspected and satisfactorily operated grinder.

### PACKING LIST

Angle Grinder With Guard  
Grinding Wheel  
Side Handle  
Wrench  
Owner's Operating Manual  
Warranty Registration



### WARNING:

If any parts are missing, do not operate your grinder until the missing parts are replaced. Failure to do so could result in possible serious personal injury.

# FEATURES

## KNOW YOUR ANGLE GRINDER

Before attempting to use your grinder, familiarize yourself with all operating features and safety requirements. See *Figure 1*.

Make sure all grinding wheels and recommended accessories are in accordance with listed specifications for this tool. For example, do not use grinding wheels that are rated at less than 11,000 RPM.

## HEAVY DUTY MOTOR

Your Ryobi G1151C Angle Grinder has a powerful motor, with sufficient power to handle tough grinding jobs that require heavy duty performance. The motor has externally accessible brushes for ease of servicing.

## GUARD

A protective guard has been provided on your grinder. It deflects sparks and metal chips during use.

## SLIDE SWITCH WITH LOCK-ON FEATURE

Your grinder has a conveniently located slide switch. It also has a lock-on feature that allows the grinder to be locked in the on position when continuous operation for extended periods of time is required.

## SPINDLE LOCK BUTTON

The spindle lock button secures the spindle so that only one wrench is needed to change the grinding wheel.

## SIDE HANDLE

The side handle provided, stabilizes your grinder and must be used during all grinding operations. In addition to maintaining safe control during use, the side handle also provides convenient ease of operation for the operator.

## APPLICATIONS

(Use only for the purposes listed below)

- Grinding metals.
- Preparing surfaces to be welded.
- Grinding welds.

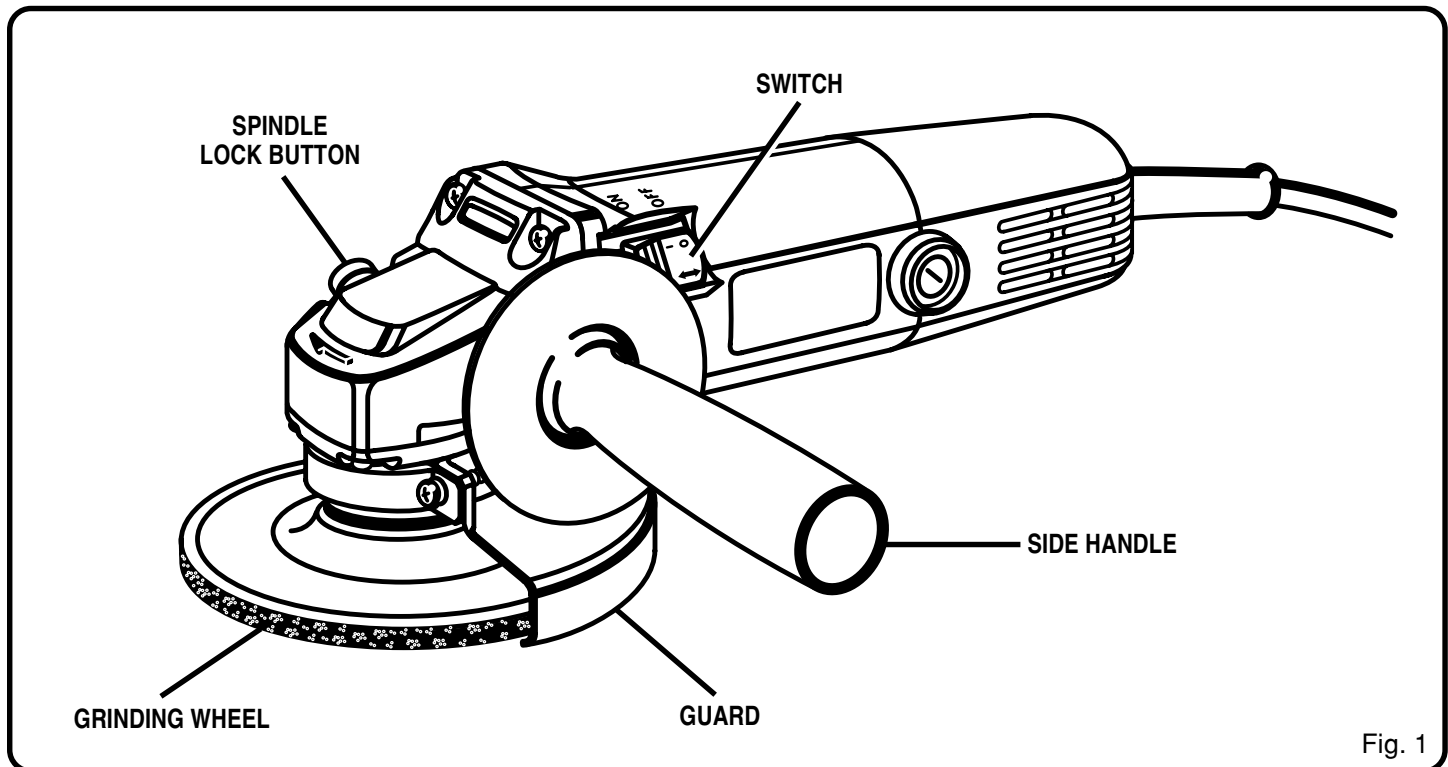


Fig. 1



## WARNING:

Do not allow familiarity with your grinder to make you careless. Remember that a careless fraction of a second is sufficient to inflict severe injury.

## ELECTRICAL CONNECTION

Your grinder has a precision built electric motor. It should be connected to a **power supply that is 120 volts, 60 Hz, AC only (normal household current)**. Do not operate this tool on direct current (DC). A substantial voltage drop will cause a loss of power and the motor will overheat. If your tool does not operate when plugged into an outlet, double-check the power supply.

# ADJUSTMENTS

## WARNING:

Your grinder should never be connected to power supply when you are assembling parts, making adjustments, installing or removing grinding wheels, or when not in use. Disconnecting your grinder will prevent accidental starting that could cause serious injury.

### INSTALLING THE SIDE HANDLE

See Figure 2.

#### ■ UNPLUG YOUR GRINDER.

## WARNING:

Failure to unplug your grinder could result in accidental starting causing serious injury.

- Install the side handle by screwing it into the side of the gear housing.

**NOTE:** The handle can be installed on either the left or right side of the grinder, depending on operator preference. It must always be used to prevent loss of control and possible serious injury.

- Tighten side handle securely.

### INSTALLING THE GRINDING WHEEL

See Figure 3.

#### ■ UNPLUG YOUR GRINDER.

## WARNING:

Failure to unplug your grinder could result in accidental starting causing serious injury.

- Your grinder is shipped with the disc flange and clamp nut attached to the spindle.
- Depress spindle lock button and rotate clamp nut until spindle locks.
- Loosen and remove clamp nut from spindle. **Do not** remove disc flange.
- Make sure flats on disc flange are engaged with flats on spindle.
- Place the grinding wheel over the spindle with the concave side of the wheel facing up.

## WARNING:

Always install grinding wheel with the depressed center against the disc flange as shown in figure 3. Failure to do so will cause the grinding wheel to crack when tightening the clamp nut. This could result in serious personal injury because of loose particles breaking off and being thrown from the grinder.

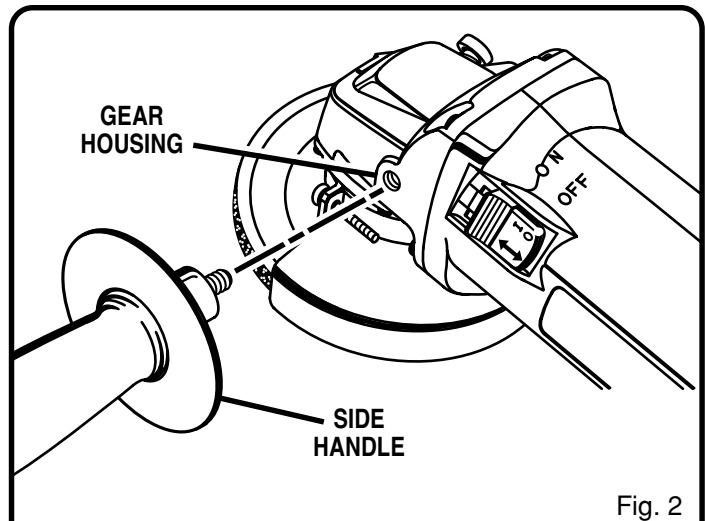


Fig. 2

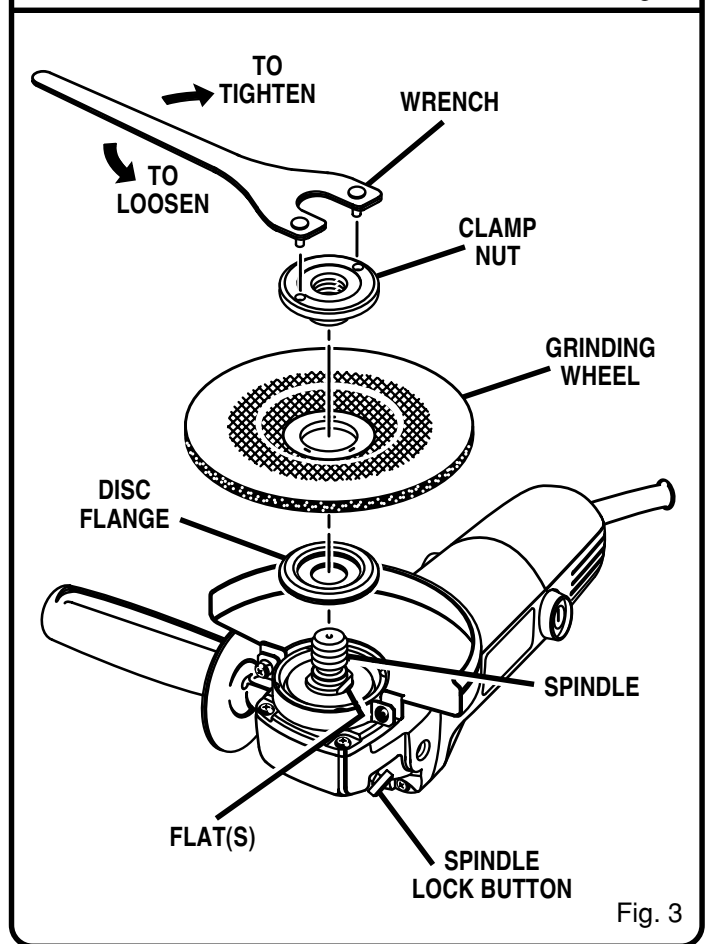


Fig. 3

- Thread the clamp nut on the spindle with the flat side of the nut facing up. Fit the raised, small diameter portion of the clamp nut into the hole in the grinding wheel and finger tighten.
- Depress the spindle lock button and rotate the wheel clockwise until the spindle locks in position.
- Securely tighten the clamp nut with the wrench provided.



# ADJUSTMENTS

## WARNING:

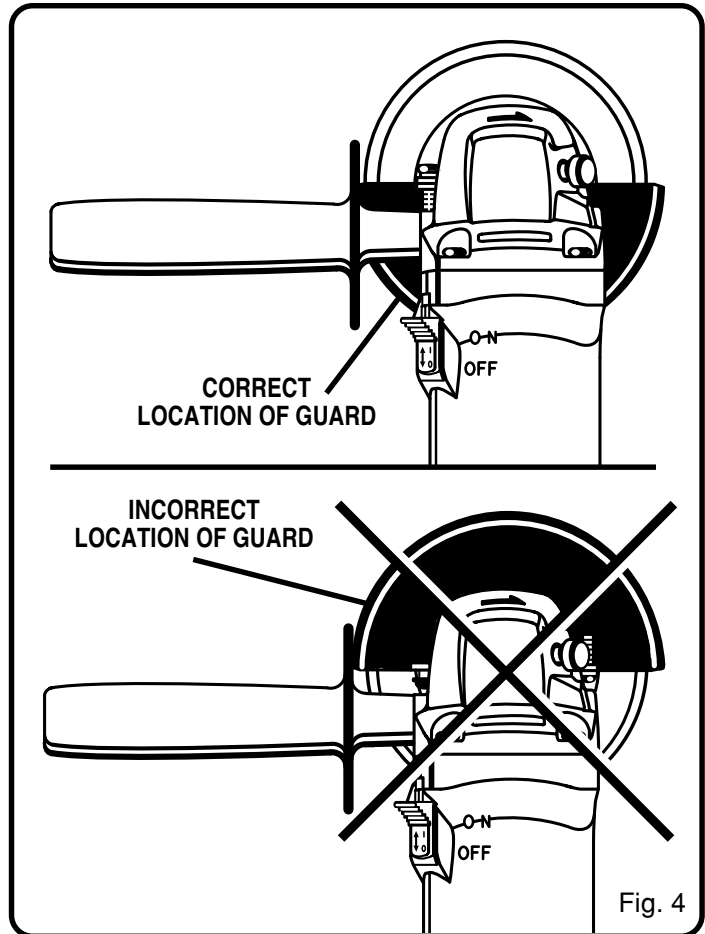
Before connecting your grinder to power supply, always check to be sure switch is not in **lock-on** position. Failure to do so could result in accidental starting of your grinder resulting in possible serious injury.

## GUARD LOCATION

The guard on your grinder has been correctly installed at the factory. **Never use your grinder without the guard correctly in place.** Figure 4 shows both the correct and incorrect location of the guard.

## WARNING:

Never place the guard so that it is on front of the grinder. This could result in serious injury because sparks and loose particles thrown from the grinding wheel would be directed toward the operator. Always place the guard in the correct location as shown in figure 4.



# OPERATION

## WARNING:

- Always wear safety glasses and keep guard in place when grinding.
- Hot metal sparks from metal grinding can cause a fire. Avoid spark contact with flammable materials such as saw dust, or clothing.
- Grinding wheels must be free of fissures and cracks. Fissures and cracks can cause a grinding wheel to shatter, resulting in possible serious injury.

Thoroughly inspect a new grinding wheel before it is installed on the grinder:

1. Use a wooden hammer for the inspection.
2. Using the hammer, lightly tap all around the wheel, carefully listening to the resulting sounds.
3. Any places with fissures or cracks will result in a different sound.

Do not use a wheel containing fissures or cracks.

When installing a new grinding wheel, a no load revolution test of approximately 5 minutes must be carried out with the grinding wheel facing a safe direction, i.e. away from people or objects.

## DANGER:

Never attach a wood cutting or carving blade of any type to this angle grinder. It is only designed for grinding metal. Use for any other purpose is not recommended and creates a hazard which will result in serious injury.

# OPERATION

## CAUTION:

Never cover air vents. They must always be open for proper motor cooling.

## SWITCH

See Figure 5.

This tool has a spring loaded switch. To turn your grinder **ON**, push the switch button forward. Release the switch button to turn your grinder **OFF**.

## LOCK-ON FEATURE

See Figure 5.

Your grinder has a **lock-on** feature that is convenient when continuous operation for extended periods of time is required. To lock-on, push the switch button forward then push down at the front of the switch button. To release the lock, depress the rear of the switch button and release it.

## GRINDING

See Figure 6.

**Always** carefully select and use grinding wheels that are recommended for the material to be ground. Make sure that the minimum operating speed of the grinding wheel selected is not less than 11,000 rpm. The grinding wheel provided with your grinder is suitable for grinding welds, preparing surfaces to be welded, grinding structural steel, and grinding stainless steel.

Secure all work before beginning a grinding operation.

Secure small workpieces in a vise or clamp to a workbench.

**Never** use your grinder with the guard removed.

**Never** use your grinder without wearing eye protection.

The key to efficient operation begins by controlling the pressure and surface contact between the grinding wheel and workpiece. Flat surfaces are ground at an acute angle, normally between 5 to 15 degrees.

For maximum control, hold the grinder in front and away from you with both hands, keeping the grinding wheel clear of the workpiece. Start your grinder and let the motor and grinding wheel build up to full speed. Gradually lower grinder until the grinding wheel contacts the workpiece.

For best results keep the grinder tilted at an angle from 5 to 15 degrees and continuously moving at a steady, consistent pace. Move the grinder back and forth or up and down over the work area. Keep the grinder moving so that an excessive amount of material is not removed from one area. If the grinder is held in one spot too long, it will gouge and cut grooves in the workpiece. If the grinder is held at too sharp an angle, it will also gouge the workpiece because of concentration of pressure on a small area.

Use just enough pressure to keep the grinder from chattering or bouncing. Heavy pressure will decrease its speed and put a strain on the motor. Normally the weight of the tool alone

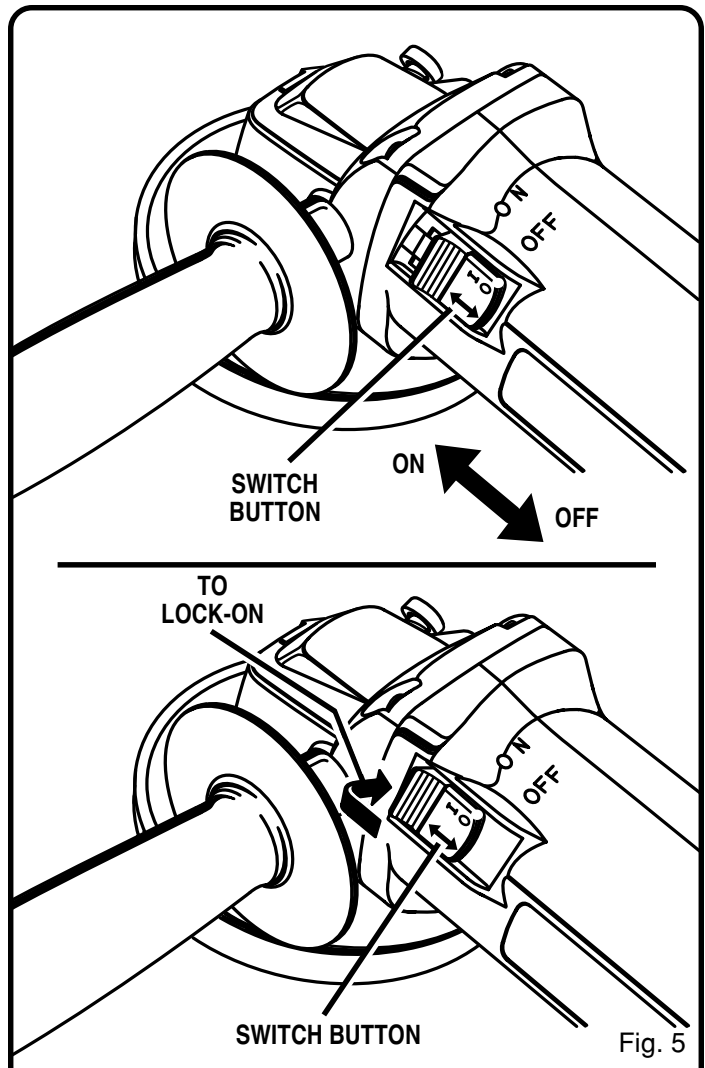


Fig. 5

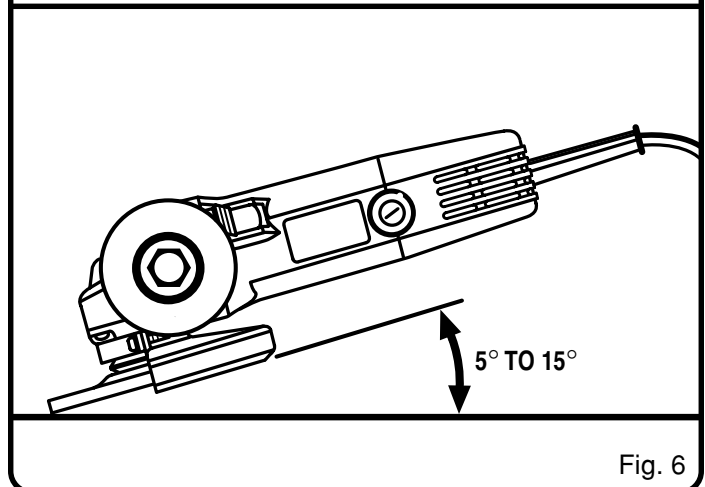


Fig. 6

is adequate for most grinding jobs. Use light pressure when grinding jagged edges or loose bolts where there is the potential for the grinder to snag on the metal edge.

Lift the grinder away from the workpiece before turning your grinder off.

# MAINTENANCE

## WARNING:

When servicing use only identical Ryobi replacement parts. Use of any other parts may create a hazard or cause product damage.

## GUARD REPLACEMENT

See Figure 7.

After extended use, the guard may become worn and need adjustments or replacing. If you drop your grinder and damage the guard it may also be necessary for you to replace it.

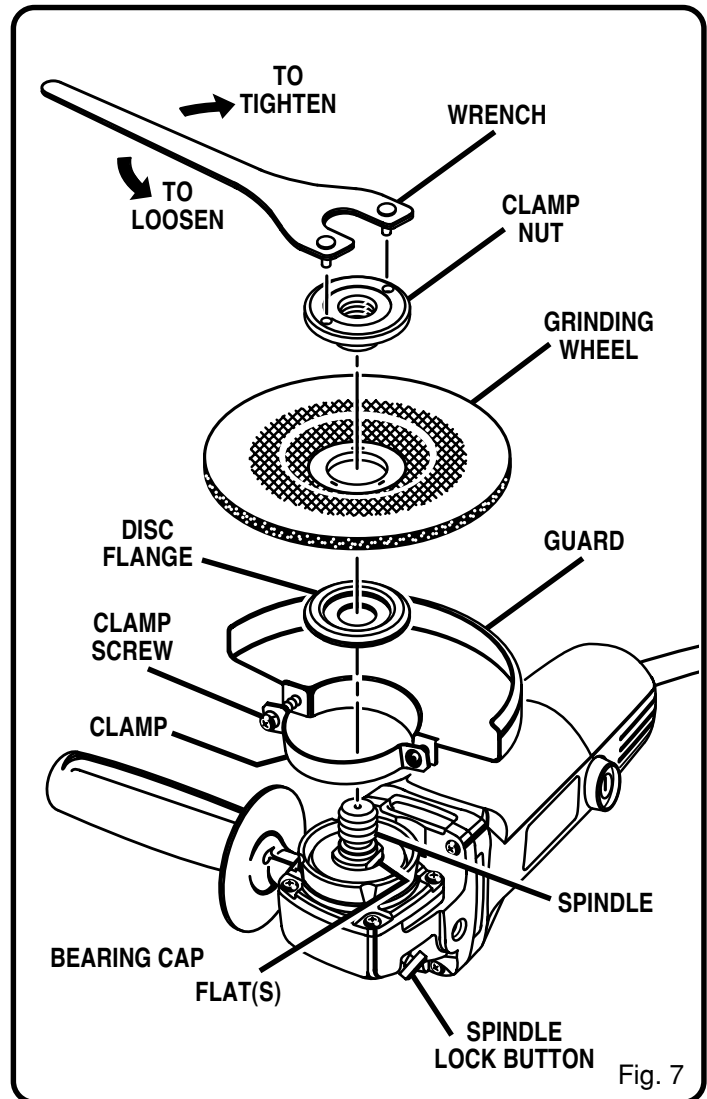
**PROCEED AS FOLLOWS WHEN REPLACEMENT IS REQUIRED:**

### ■ UNPLUG YOUR GRINDER.

## WARNING:

Failure to unplug your grinder could result in accidental starting causing serious injury.

- Remove and reassemble parts as shown in figure 7.
  - Depress spindle lock button and rotate clamp nut until spindle locks.
  - Using the wrench provided, loosen and remove clamp nut from spindle.
  - Remove grinding wheel and disc flange.
  - Using a phillips screwdriver, loosen the clamp screw until the guard can be adjusted or removed.
  - If you are making adjustments, rotate the guard to its correct position as shown in figure 7, then retighten clamp screw securely. **Never use your grinder without the guard correctly in place.**
  - If you are replacing the guard, loosen the clamp screw until the guard and clamp can be removed from the bearing cap.
  - Place the new guard and clamp on the shoulder of the bearing cap. See Figure 7.
- NOTE:** If the new guard and clamp will not fit, loosen the clamp screw until they slide over the bearing cap.
- Rotate guard to the correct position as shown in figure 7.
  - Tighten clamp screw securely.
  - Reassemble disc flange, grinding wheel, and clamp nut. Refer to **"INSTALLING THE GRINDING WHEEL"** instructions on page 8.
  - Securely tighten the clamp nut with the wrench provided.



# MAINTENANCE

## BRUSH REPLACEMENT

See Figure 8.

Your grinder has externally accessible brush assemblies that should periodically be checked for wear.

**PROCEED AS FOLLOWS WHEN REPLACEMENT IS REQUIRED:**

### ■ UNPLUG YOUR GRINDER.



## WARNING:

Failure to unplug your grinder could result in accidental starting causing serious injury.

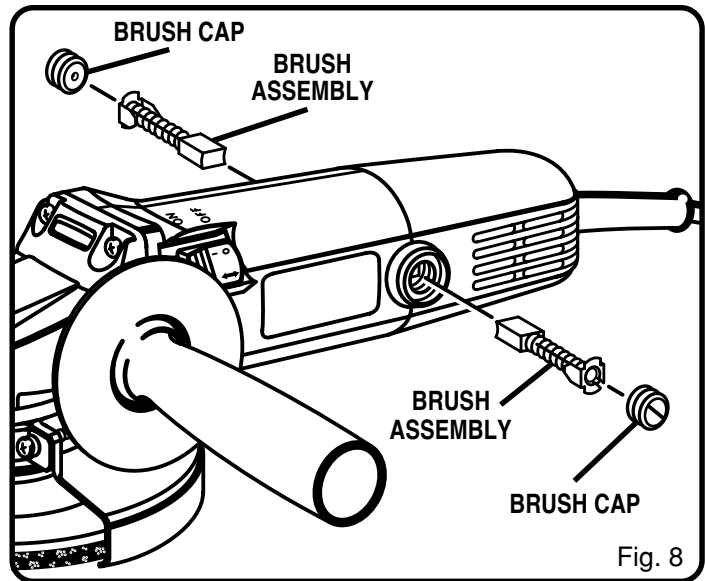
- Remove brush cap with a flat blade screwdriver. Brush assembly is spring loaded and will pop out when you remove brush cap.
- Remove brush assembly (brush and spring).
- Check for wear. If worn, always replace in pairs.  
**Do not** replace one side without replacing the other.

## LUBRICATION

All of the bearings in this tool are lubricated with a sufficient amount of high grade lubricant for the life of the unit under normal operating conditions. Therefore, no further lubrication is required.

## GENERAL

Avoid using solvents when cleaning plastic parts. Most plastics are susceptible to damage from various types of commercial solvents and may be damaged by their use. Use clean cloths to remove dirt, carbon dust, etc.



## WARNING:

Do not at any time let brake fluids, gasoline, petroleum-based products, penetrating oils, etc. come in contact with plastic parts. They contain chemicals that can damage, weaken, or destroy plastic.



## WARNING:

Always wear safety goggles or safety glasses with side shields during power tool operation or when blowing dust. If operation is dusty, also wear a dust mask.





# OWNER'S OPERATING MANUAL

## 4-1/2 in. (115 mm) Angle Grinder

### Model G1151C / Double Insulated

#### EXTENSION CORD CAUTION

When using a power tool at a considerable distance from a power source, be sure to use an extension cord that has the capacity to handle the current the tool will draw. An undersized cord will cause a drop in line voltage, resulting in overheating and loss of power. Use the chart to determine the minimum wire size required in an extension cord. Only round jacketed cords should be used.

When working with a tool outdoors, use an extension cord that is designed for outside use. This is indicated by the letters "WA" on the cord's jacket.

Before using any extension cord, inspect it for loose or exposed wires and cut or worn insulation.

\*\*Ampere rating

(on tool data plate) 0-2.0 2.1-3.4 3.5-5.0 5.1-7.0 7.1-12.0 12.1-16.0

Cord Length	Wire Size (A.W.G.)					
25'	16	16	16	16	14	14
50'	16	16	16	14	14	12
100'	16	16	14	12	10	—

**CAUTION:** Keep the extension cord clear of the working area. Position the cord so that it will not get caught on workpiece, tools, or other obstructions while you are working with a power tool.

*\*\*Used on 12 gauge - 20 amp circuit.*

#### • SERVICE

Now that you have purchased your tool, should a need ever exist for repair parts or service, simply contact your nearest Ryobi Factory Service Center. Be sure to provide all pertinent facts when you call or visit. Please refer to the Service Center insert or call 1-800-525-2579 in the United States or 1-800-265-6778 in Canada for your nearest Factory or Authorized Service Center.

#### • MODEL NO.

The model number of your tool will be found on a plate attached to the motor housing. Please record the model number and serial number in the space provided below.

- MODEL NUMBER G1151C
- SERIAL NUMBER \_\_\_\_\_

#### RYOBI AMERICA CORPORATION

5201 Pearman Dairy Road Anderson SC 29625-8950  
 Post Office Box 1207 Anderson SC 29622-1207  
 Phone 1-800-525-2579

#### RYOBI CANADA INC.

P.O. Box 910  
 Cambridge, Ontario N1R 6K2  
 Phone 1-800-265-6778

## Free Manuals Download Website

<http://myh66.com>

<http://usermanuals.us>

<http://www.somanuals.com>

<http://www.4manuals.cc>

<http://www.manual-lib.com>

<http://www.404manual.com>

<http://www.luxmanual.com>

<http://aubethermostatmanual.com>

Golf course search by state

<http://golfingnear.com>

Email search by domain

<http://emailbydomain.com>

Auto manuals search

<http://auto.somanuals.com>

TV manuals search

<http://tv.somanuals.com>