

OPERATOR'S MANUAL

Miter Saw Utility Vehicle™ AC99401

For Use With RIDGID 10 in. and
12 in. Miter Saws and other
miter saws



This Miter Saw Utility Vehicle has been engineered and manufactured to our high standard for dependability, ease of operation and operator safety. When properly cared for, the Miter Saw Utility Vehicle will give you years of rugged, trouble-free performance.

⚠ WARNING:
To reduce the risk of injury, the user must read and understand the operator's manual before using this product.

Thank you for buying a RIDGID product.

SAVE THIS MANUAL FOR FUTURE REFERENCE

TABLE OF CONTENTS

■ Introduction	2
■ Rules for Safe Operation	3
■ Symbols.....	4
■ Unpacking	5
■ Loose Parts	5
■ Tools Needed.....	5
■ Assembly	6-12
■ Exploded View/Repair Parts.....	13
■ Warranty	15
■ Customer Service Information.....	16


INTRODUCTION

Your Miter Saw Utility Vehicle has many features for making the use of this product more pleasant and enjoyable. Safety, performance, and dependability have been given top priority in the design of this product making it easy to maintain and operate.

⚠ WARNING:
Do not attempt to use this product until you read thoroughly and understand completely the operator's manual. Pay close attention to the safety rules, including Dangers, Warnings, and Cautions. If you use your product properly and only as intended, you will enjoy years of safe, reliable service.

⚠ Look for this symbol to point out important safety precautions. It means attention!!! Your safety is involved.

⚠ WARNING:

 The operation of any tool can result in foreign objects being thrown into your eyes, which can result in severe eye damage. Before beginning operation, always wear safety goggles or safety glasses with side shields and a full face shield when needed. We recommend Wide Vision Safety Mask for use over eyeglasses or standard safety glasses with side shields. Always wear eye protection which is marked to comply with ANSI Z87.1.

RULES FOR SAFE OPERATION

Safe operation of this accessory requires that you read and understand this operator's manual, the operator's manual for the miter saw and all labels affixed to the tool.

READ ALL INSTRUCTIONS

- **KNOW YOUR ACCESSORY.** Read the operator's manual carefully. Learn the product's applications and limitations as well as the specific potential hazards related to this product.
- **KEEP THE WORK AREA CLEAN.** Cluttered work areas and work benches invite accidents. **DO NOT** leave tools or pieces of wood on the saw while operating.
- **ALWAYS WEAR SAFETY GLASSES WITH SIDE SHIELDS.** Everyday eyeglasses have only impact-resistant lenses; they are **NOT** safety glasses.
- **DO NOT USE THIS PRODUCT WITH OTHER EQUIPMENT** or for other purposes.
- **ALWAYS DISCONNECT THE SAW FROM THE POWER SUPPLY BEFORE ASSEMBLING THIS KIT.** Make sure the switch is off when reconnecting the saw to a power supply.
- **BEFORE MAKING A CUT, BE SURE ALL ADJUSTMENTS ARE SECURE.**
- Always get help if you need to lift the workstand. When lifting, hold the workstand close to your body. Bend your knees so you can lift with your legs, not your back.
- When hauling the workstand in a vehicle, securely tie it down to prevent movement and possible damage.
- **NEVER** put the workstand where operator's or bystander are forced to stand with any part of their body inline with the path of the saw blade.
- **NEVER STAND ON WORKSTAND.** Serious injury could occur if the stand tips or you accidentally hit the cutting tool. Do not store any items above or near the stand where anyone might climb on the stand to reach them.

- Maximum weight of power tool must not exceed 100 pounds.
- Maximum weight of saw and workpiece must not exceed 200 pounds.
- Always mount miter saw so the workpiece is positioned in-line with the roller assemblies.
- Check to make sure workstand does not rock, slide or move prior to use.
- Put the workstand on a firm level surface where there is plenty of room to handle and properly support the workpiece.
- **SAVE THESE INSTRUCTIONS.** Refer to them frequently and use them to instruct other users. If you loan someone this product, also loan these instructions.



WARNING:

Some dust created by power sanding, sawing, grinding, drilling, and other construction activities contains chemicals known to cause cancer, birth defects or other reproductive harm. Some examples of these chemicals are:

- lead from lead-based paints,
- crystalline silica from bricks and cement and other masonry products, and
- arsenic and chromium from chemically-treated lumber.

Your risk from these exposures varies, depending on how often you do this type of work. To reduce your exposure to these chemicals: work in a well ventilated area, and work with approved safety equipment, such as those dust masks that are specially designed to filter out microscopic particles.

SYMBOLS

The purpose of safety symbols is to attract your attention to possible dangers. The safety symbols, and the explanations with them, deserve your careful attention and understanding. The safety warnings do not by themselves eliminate any danger. The instructions or warnings they give are not substitutes for proper accident prevention measures.

SYMBOL MEANING



DANGER: Indicates an imminently hazardous situation, which, if not avoided, will result in death or serious injury.



WARNING: Indicates a potentially hazardous situation, which, if not avoided, could result in death or serious injury.







CAUTION: Indicates a potentially hazardous situation, which, if not avoided, may result in minor or moderate injury. It may also be used to alert against unsafe practices that may cause property damage.

Note: Advises you of additional information concerning the operation or maintenance of the equipment.

SAFETY AND INTERNATIONAL SYMBOLS

This operator's manual describes safety and international symbols and pictographs that may appear on this product. Read the operator's manual for complete safety, assembly, operating and maintenance, and repair information.

SYMBOL	NAME	MEANING
	Wet Condition Alert	<ul style="list-style-type: none"> Do not expose to rain or use in damp locations.
	No Hands Symbol	<ul style="list-style-type: none"> Failure to keep your hands away from the blade will result in serious personal injury.
	Read the Operator's Manual	<ul style="list-style-type: none"> To reduce the risk of injury, the user must read and understand the operator's manual before using this product.
	Eye Protection	<ul style="list-style-type: none"> Always wear safety goggles or safety glasses with side shields and a full face shield when operating this product.

SAVE THESE INSTRUCTIONS

UNPACKING

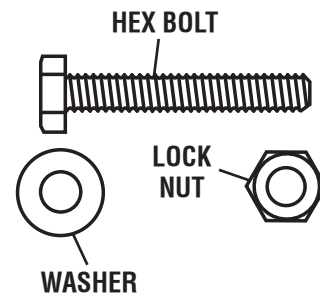
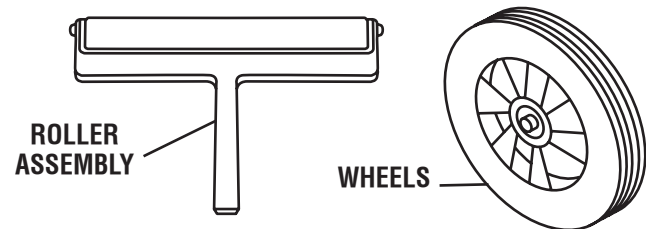
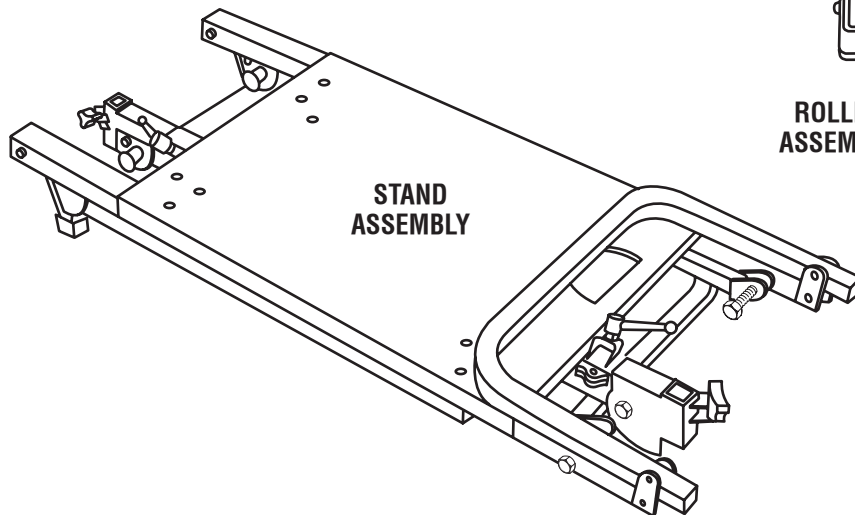
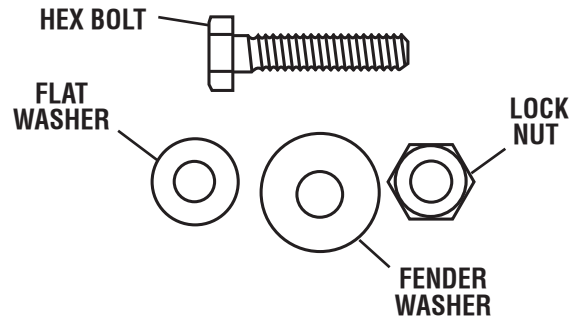
NOTE: Before beginning assembly, check that all parts are included. If you are missing any part, do not assemble this accessory. Call 1-800-4-RIDGID or E-mail us at info@ridgidwoodworking.com to get the missing part. Sometimes

small parts can get lost in packaging material. Do not throw away any packaging until the accessory is completely assembled and your power tool is attached. Check packaging for missing parts before contacting RIDGID.

LOOSE PARTS

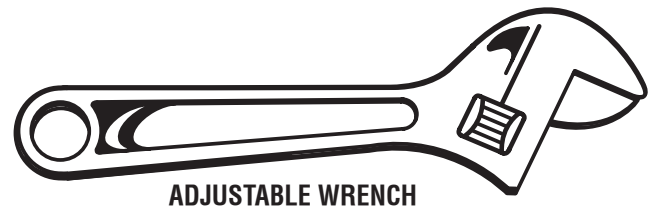
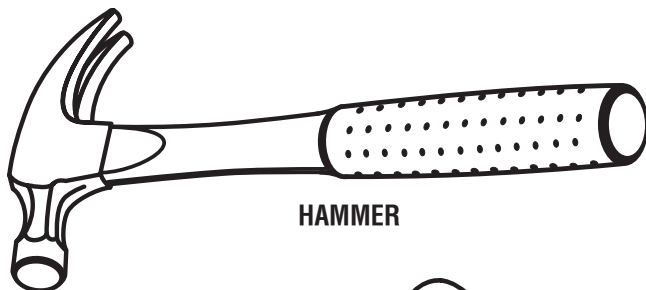
The following items are included:

- Stand Assembly (1)
- Roller Assembly (2)
- Wheels (2)
- Operator's Manual (1)
- Hex Bolt, M8x50 mm (2)
- Flat Washer, M8 (4)
- Lock Nut, M8 (2)
- Hex Bolt, M6x40mm (4)
- Flat Washer, M6 (4)
- Fender Washer, M6 (4)
- Lock Nut, M6 (4)
- Plastic Caps (2)



TOOLS NEEDED

The following tools (not included) are needed for properly assembling your Miter Saw Utility Vehicle.



ASSEMBLY

ATTACHING THE LOWER FOOT

See Figures 1 d 2.

- Place stand assembly “flat” on floor.
- Rotate lower foot into upright position aligning holes as shown.
- Locate the following parts:
Hex Bolt, M8 x 50 mm (2)
Flat Washer, M8 (4)
Lock Nut, M8 (2)
- Install bolt, two washers and lock nut as shown. Finger tighten lock nut.
- Repeat above step on the opposite side.
- Tighten all four lock nuts.

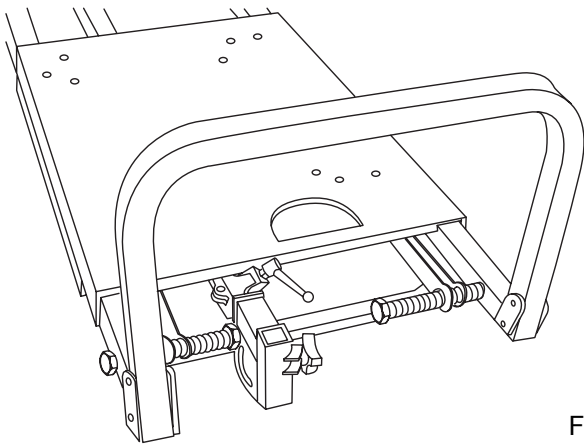


Fig. 1

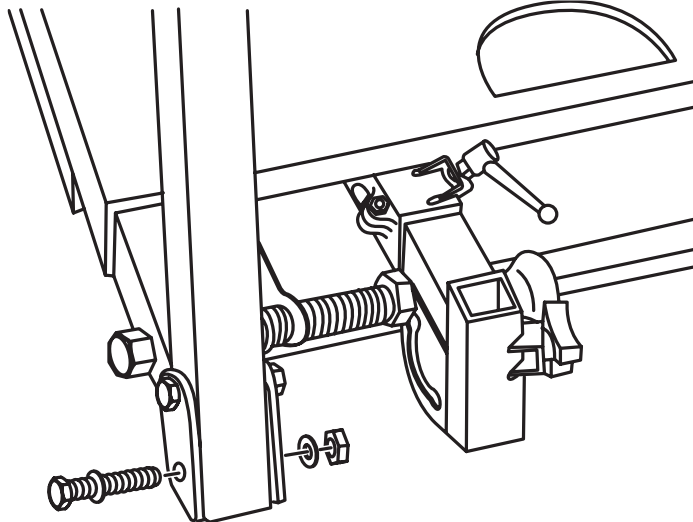


Fig. 2

MOUNTING WHEELS

See Figure 3.

- Slide axle bolt outwards until it extends beyond the frame.
- Remove axle lock nut and one washer.

⚠ WARNING:

Do not remove axle bolt(s) from the frame. Energy from gas spring can cause injury if leg is disconnected from axle bolt(s).

- Place wheel on axle bolt as shown
- Replace axle lock nut and washer as shown. Tighten lock nuts securely. Check to see that the wheel freely spins. If not, slightly loosen axle lock nut. Repeat steps above steps for opposite wheel.
- Press plastic cap over each wheel lock nut by gently tapping with a hammer.

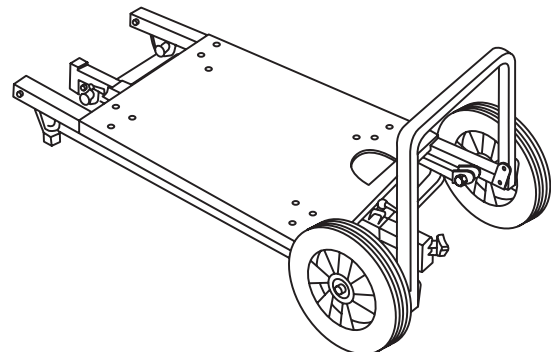
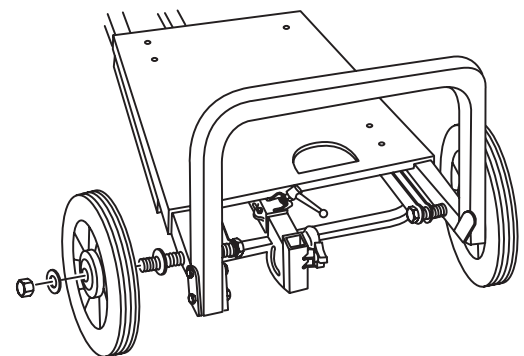
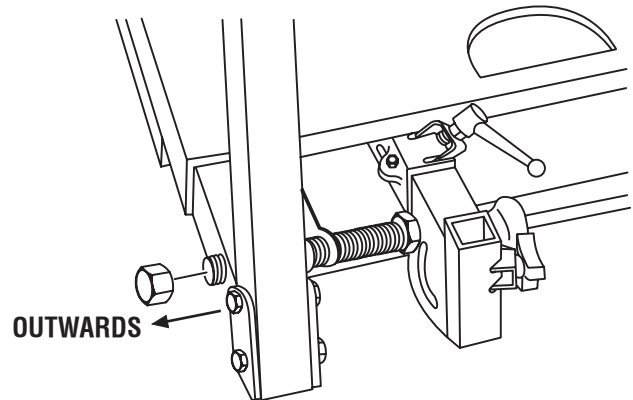


Fig. 3

ASSEMBLY

WORKSTAND SET-UP

See Figures 4 - 5.

Before You Start

- If a miter saw is already assembled to the stand, make sure that it is securely attached to the stand per the instructions in this manual.
- If a compound miter saw is already assembled to the stand, make sure to place the blade 90° to the table (if applicable). Miter the blade to the right as far as it will go, place the blade in the "locked down" position, and lock all knobs and levers.
- If a slide compound miter saw is already assembled to the stand, follow the above steps plus slide the head/blade assembly to the front of the saw and lock the slide rails.

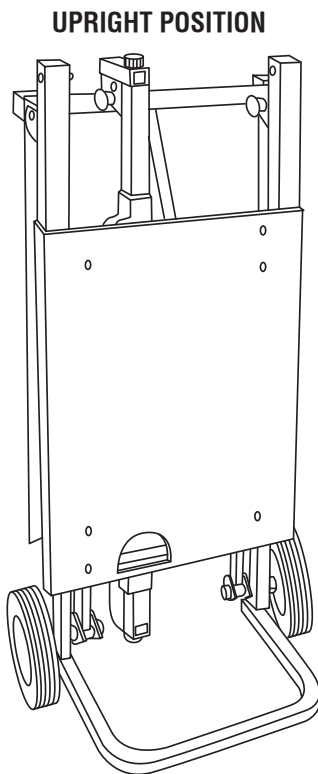


Fig. 4

SETTING UP

- From the upright position, hold the leg cross bar and pull the locking pin.
- Lift legs up until the locking pin locks in place.
- Lower unit until the legs rest on the floor.
- Stand at wheel end of unit, grasp the lift handle/lock lever. Squeeze lock lever and raise the table to a position just above horizontal.

CAUTION:

Do not lift by any part of the miter saw that is attached to the workstand. Failure to do so may result in possible injury and damage the tool.

WARNING:

To avoid serious personal injury when lifting, bend your knees so you can lift with your legs, not your back.

- The sliding legs will follow tracks on the underside of the table to their engaged position near the handle end of the table.
- Return table to horizontal position. The table should now rest firmly on top of the sliding legs. If not, repeat "pull up and set down" motion.
- Release lift handle/lock lever.

NOTE: You may need to adjust the speed at which you raise the table in order to get the sliding leg to catch in the notch.

WARNING:

To reduce the risk of injury, make sure sliding leg is secured in the notch by the lock lever. Failure to latch may cause stand to fall in use.

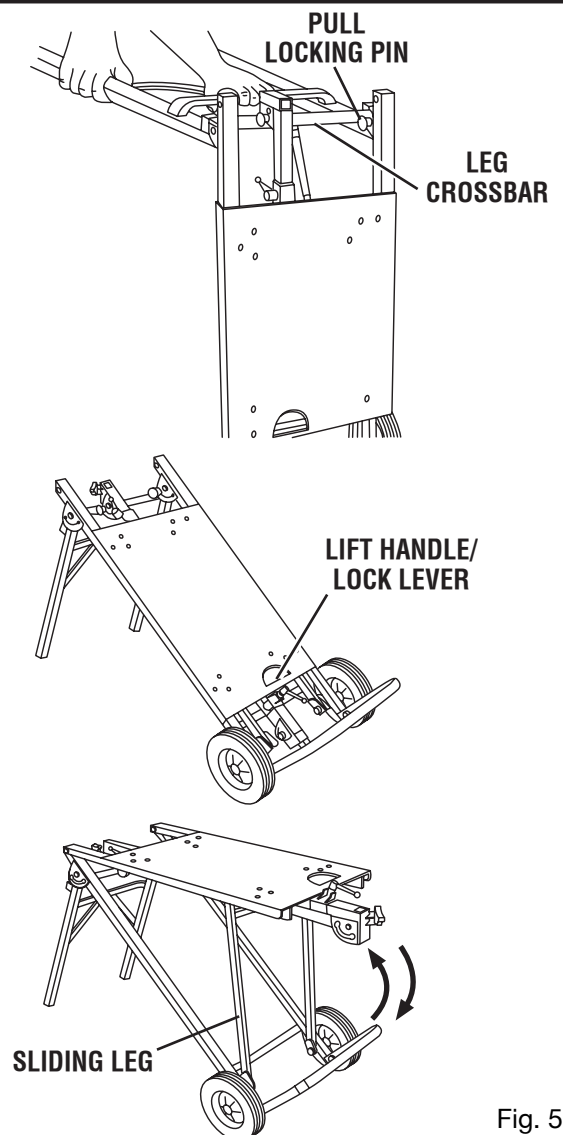


Fig. 5

ASSEMBLY

MOUNTING MITER SAW

See Figures 6 - 7.

⚠ WARNING:

Failure to unplug the tool could result in accidental starting causing possible serious personal injury.

Before You Start

RIDGID miter saws bolt directly onto this workstand. When you are finished attaching your saw to the workstand reread the Operation and Rules for Safe Operation sections of this manual. Make sure that you understand how to set-up and fold the workstand safely. Saw and workstand combination must be stable in order to operate safely.

⚠ WARNING:

To avoid serious personal injury, always assure saw is fully supported and securely attached to a level work surface. If not, relocate to a more stable location.

⚠ WARNING:

To reduce the risk of injury from the miter saw moving or falling off stand, always check that all mounting bolts and nuts are securely tightened before moving stand or using tool.

MOUNTING RIDGID 10 in. AND 12 in. COMPOUND MITER SAW

NOTE: Mounting holes are provided for 10 in. and 12 in. RIDGID miter saws.

Other brands of miter saws will require additional 5/16 in. mounting holes to be drilled. See instructions:

- Locate the following parts:
 - Hex Bolts, M6 x 40mm (4)
 - Flat Washers, M6 (4)
 - Fender Washers, M6 (4)
 - Lock Nuts, M6 (4)
- Determine the correct mounting holes for your RIDGID miter saw.
- Position the RIDGID miter saw over the mounting holes. Always mount the miter saw so the workpiece is positioned inline with the roller assemblies.

RIDGID MOUNTING HOLES

See Figure 6.

- A - 10 in. miter saw (MS10500, MS10501, MS10502, MS1060)
- B - 12 in. miter saw (remove miter saw left side table extension for easier access to workstand knobs).
- C - 12 in. slide miter saw (on rear holes of miter saw, place hex bolts through the bottom side of the table).
- D - 10 in. miter saw (MS1065)

- Slide flat washer on hex bolt and place through miter saw base and workstand. The larger fender type flat washer can be placed on the bottom or top of the miter saw. Certain mountings will require this washer to be placed on top of the miter saw in order to provide clearance with the frame.

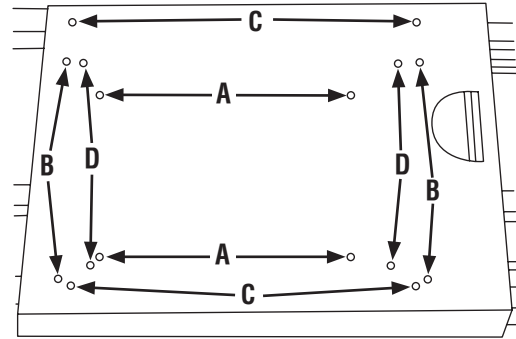


Fig. 6

- On some miter saws using mounting position “C”, it is necessary to mount the hex bolt and flat washer from the bottom side of the table on the rear of the miter saw to allow clearance with the frame when folding the stand in the upright storage position.
- Slide flat washer on the hex bolt and “finger tighten” using lock nut.
- Repeat steps for the other three mounting holes.
- Tighten all lock nuts.

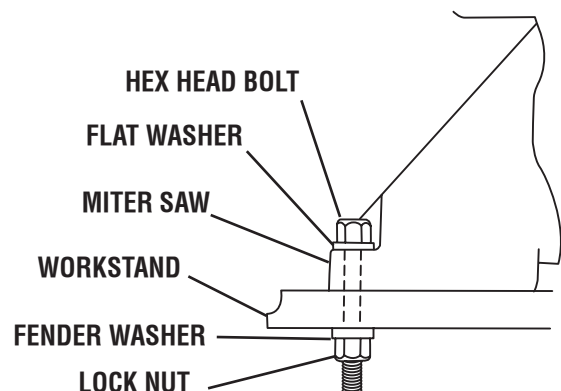
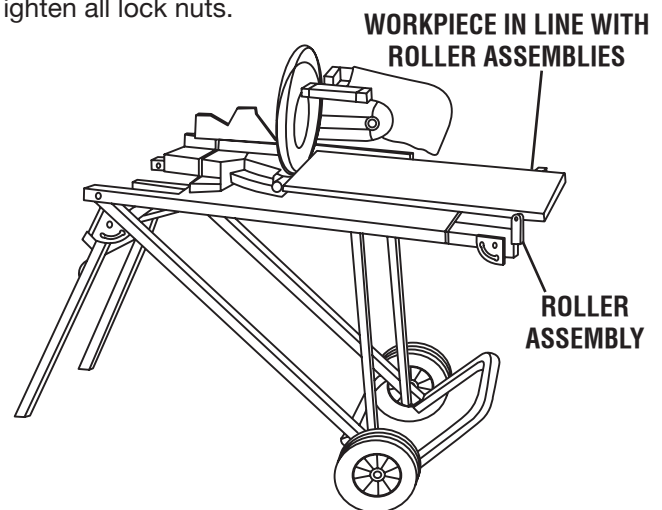


Fig. 7

ASSEMBLY

MOUNTING OTHER BRANDS

See Figure 8.

NOTE: Other brands of miter saws (not RIDGID miter saws) will require additional 5/16 in. mounting holes to be drilled. See instructions below.

- Locate the following parts:
 - Hex Bolts, M6 x 40mm (4)
 - Flat Washers, M6 (4)
 - Fender Washers, M6 (4)
 - Lock Nuts, M6 (4)

CENTER THE MITER SAW ON THE WORKSTAND

Check and make sure

- The front of the miter saw faces the front of the workstand as shown above.
- The miter saw is mounted so the workpiece is positioned in line with the roller assemblies as shown above.
- The mounting hardware will not interfere with the sliding table frame members underneath table. Shaded areas on table in figure 8 show locations that mounting hardware may interfere with folding/locking mechanisms. Be sure to position miter saw outside of these areas.
- Mark the mounting hole(s) location. Remove miter saw.

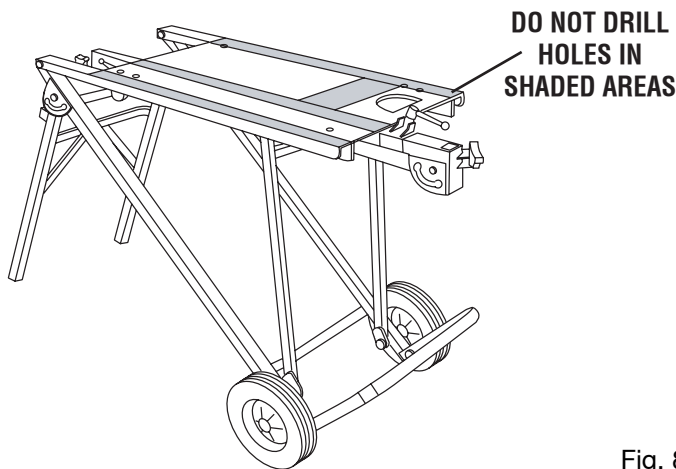


Fig. 8

- Drill 5/16 in. mounting holes.
- Reposition the miter saw on the workstand.
- Slide flat washer on hex bolt and place through miter saw and workstand. The larger fender type flat washer can be placed on the bottom or top of the miter saw. Certain mountings will require this washer to be placed on top of the miter saw in order to provide clearance with the frame. On some miter saws using mounting position "C", it is necessary to mount the hex bolt and flat washer from the bottom side of the table on the rear of the miter saw to allow clearance with the frame when folding the stand in the upright storage position.
- Slide a flat washer on hex bolt and "finger tighten" using lock nut.
- Repeat above steps for the other three mounting holes.
- Tighten all lock nuts.

MOUNTING AND ALIGNING ROLLER ASSEMBLY

See Figure 9.

- Insert roller assembly into each extension bar.

NOTE: Make sure length stop is positioned towards miter saw.

NOTE: Load capacity of each roller is 100 pounds maximum.

- Place a straight edge on the miter saw table and adjust roller assembly to table height.

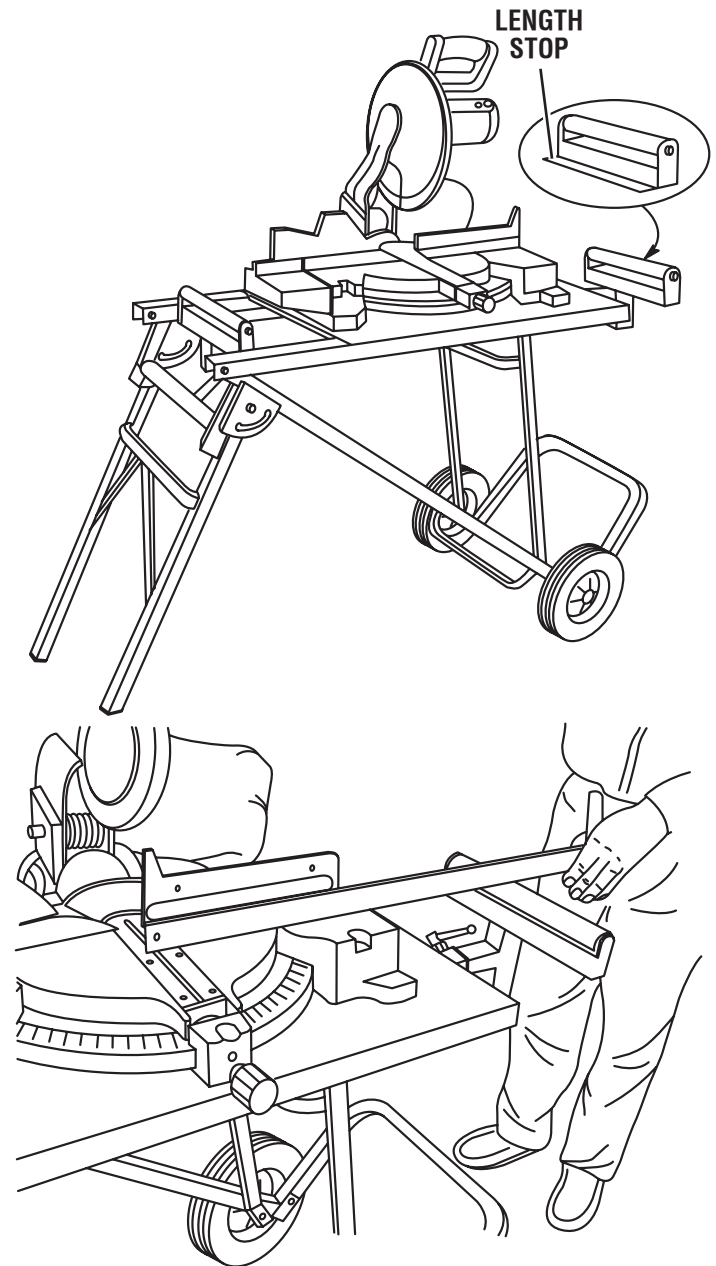


Fig. 9

ASSEMBLY

EXTENSION BAR(S) OPERATION

See Figures 10 - 11.

Both extension bars may be adjusted to provide maximum workpiece support. To adjust the extension bars:

- Loosen adjustable handle by turning counter clockwise.

NOTE: Adjustable handle can be repositioned if necessary. Lift up on handle and rotate to desired position then release handle.

- Slide out extension bar to desired position and tighten extension bar handle.

NOTE: There is a catch to limit the overall extension bar travel.

- Pull out on locking pin knob and swing leg down until locking pin locks leg in the down position.
- Turn foot knob counterclockwise to loosen and slide foot extension down until foot contacts the floor. Tighten foot knob.
- Repeat for the other extension bar.

NOTE: It may be necessary to realign roller assemblies with the miter saw table. See **Mounting and Aligning Roller Assembly** on page 9.

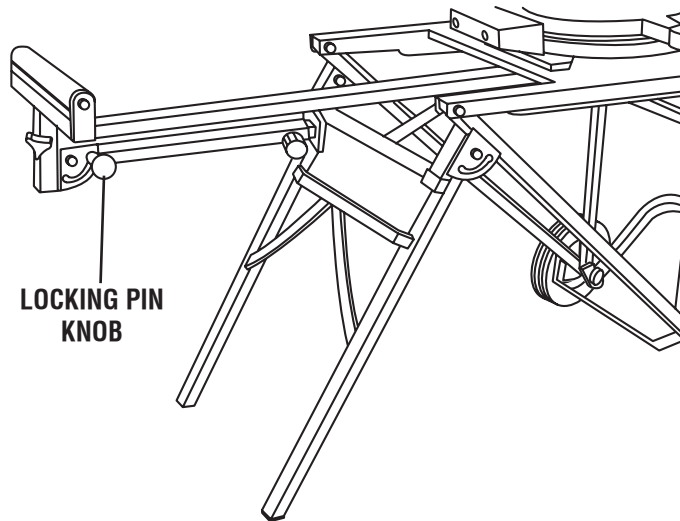
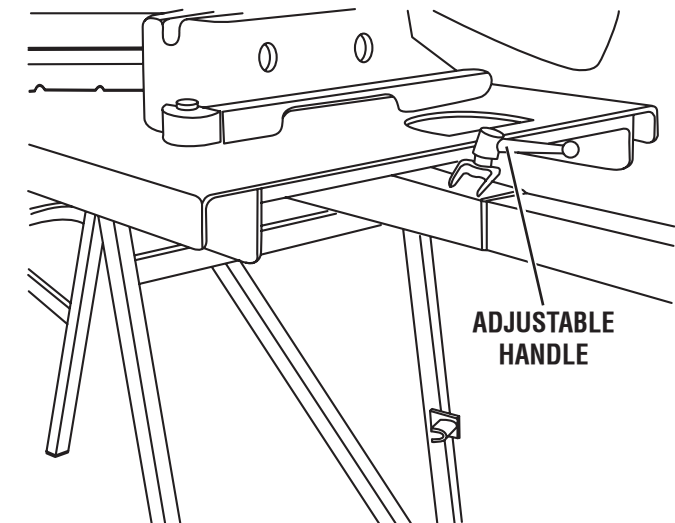


Fig. 10

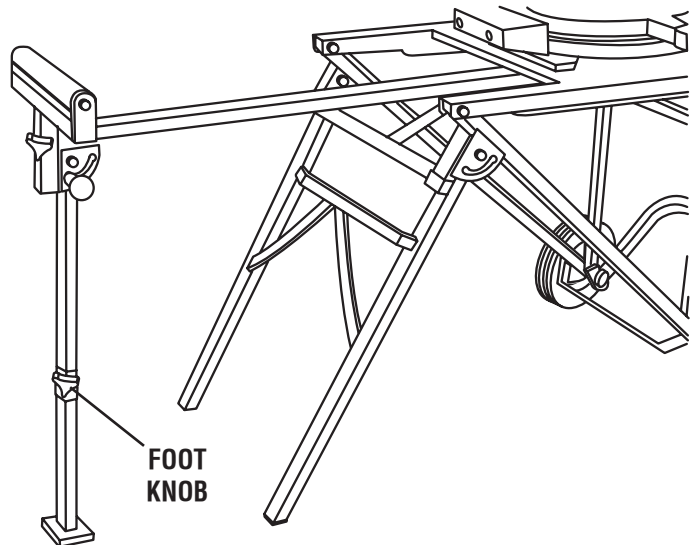
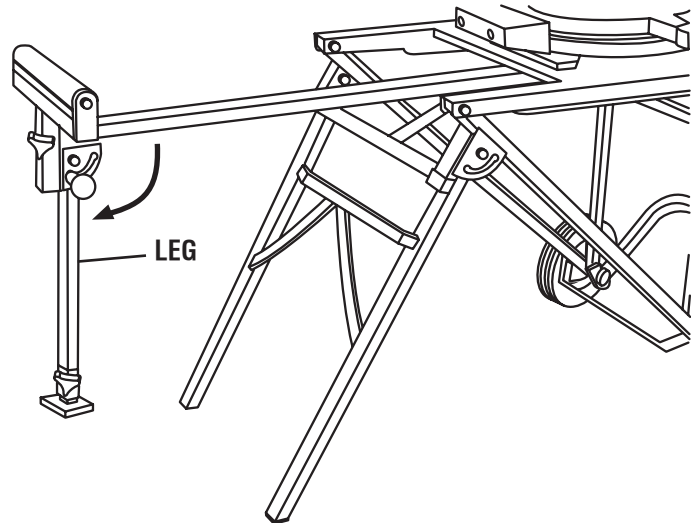


Fig. 11

ASSEMBLY

FOLDING AND MOVING WORKSTAND

See Figures 12, 13, and 14.

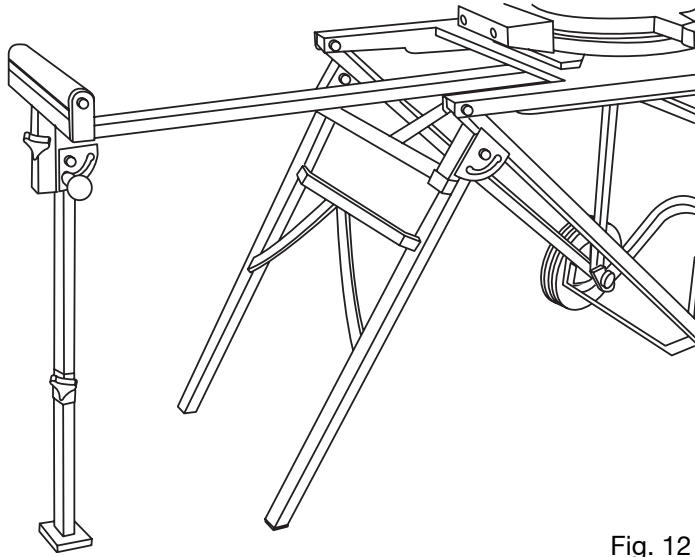


Fig. 12

Before You Start

- Remove any workpieces, clamps or other accessories.
- Make sure miter saw is securely attached to the stand per the instructions in this manual.
- If a miter saw is already assembled to the stand, make sure to place the blade 90° to the table (if applicable), miter the blade to the right as far as it will go, place the blade in the “locked down” position, and lock all knobs and levers.

FOLDING LEG AND TABLE

- Loosen the roller foot knob and slide foot extension up. Tighten knob.
- Release locking pin and raise foot.
- Loosen the extension bar handle and slide extension bar in towards table. Tighten extension bar handle.
- Repeat for the other side.
- At the wheel end of the stand firmly grab the lift handle/lock lever and squeeze the lever.
- Fully lift table by the lift handle, then slowly lower table down to the frame

WARNING:

To avoid serious personal injury when lifting, bend your knees so you can lift with your legs, not your back.

NOTE: You may need to adjust the speed at which you bring up the table in order to get the leg to fold.

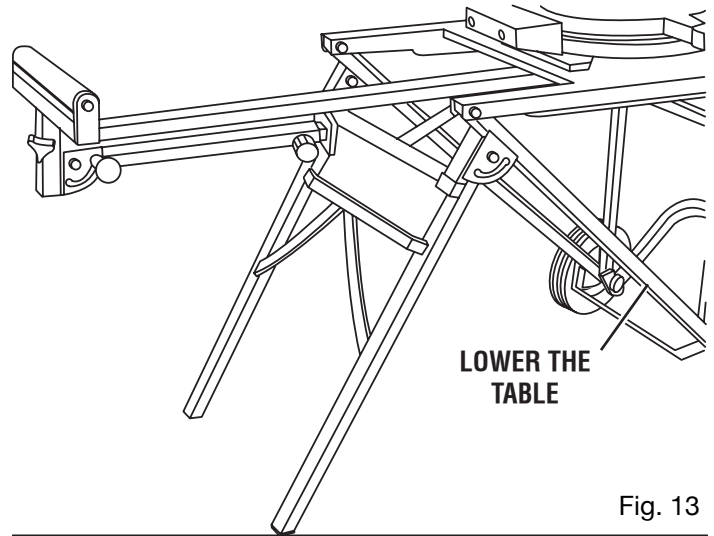


Fig. 13

- Lift stand into upright position pull out on the locking pin, and swing the legs until they lock in place against the bottom of the table.
- Make sure the stand will remain upright on its own.

CAUTION:

If the stand will not remain upright, store in the horizontal position.

- The workstand can be moved by pulling or pushing. To keep the workstand from tipping over, pulling the unit is the preferred method when moving over a door threshold or crack.

NOTE: If desired, with the help of a second person, the foot of the stand may also be used as a carry handle as shown.

If a sliding compound miter saw is mounted on the workstand, it may be necessary to slide the power head/blade assembly forward and lock in place when going through doorways or other narrow openings.

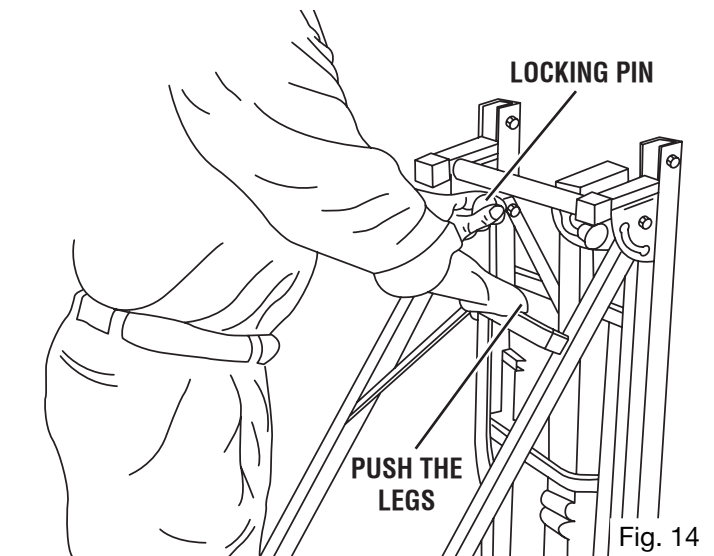


Fig. 14

ASSEMBLY

TRANSPORTING TOOL

See Figure 15.

- When hauling the workstand in a vehicle, securely tie it down to prevent movement and possible damage.
- Always get help if you need to lift the workstand. When lifting, hold the workstand close to your body. Bend your knees so you can lift with your legs, not your back.

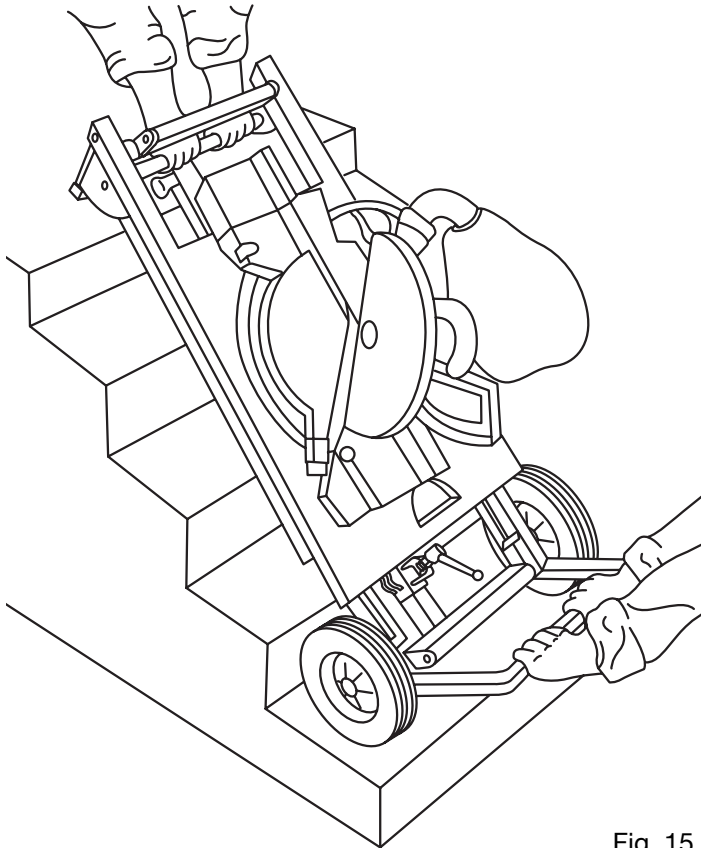


Fig. 15

⚠ WARNING:

To reduce the risk of injury from the miter saw moving or falling off stand, always check that all mounting bolts and nuts are securely tightened before moving stand or using tool.

⚠ WARNING:

To avoid serious personal injury when lifting, bend your knees so you can lift with your legs, not your back.

⚠ CAUTION:

Do not lift by any part of the miter saw that is attached to the workstand. Failure to do so may result in possible injury and damage the tool.

MAINTENANCE

See Figures 16 - 17.

- Periodically clean the sliding roller tracks as shown below.
- Also clean and lubricate the locking handle.

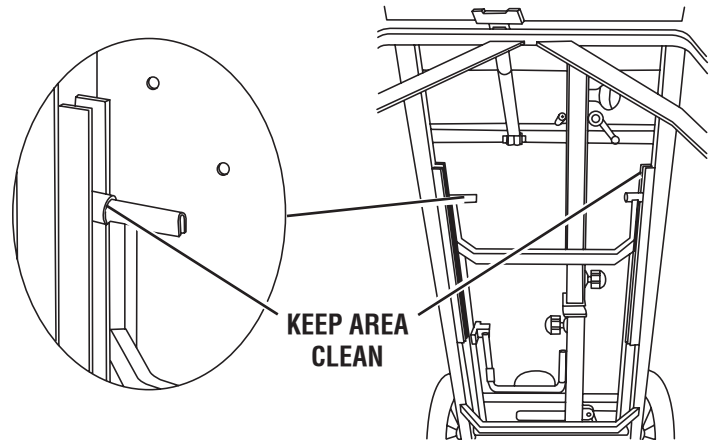


Fig. 16

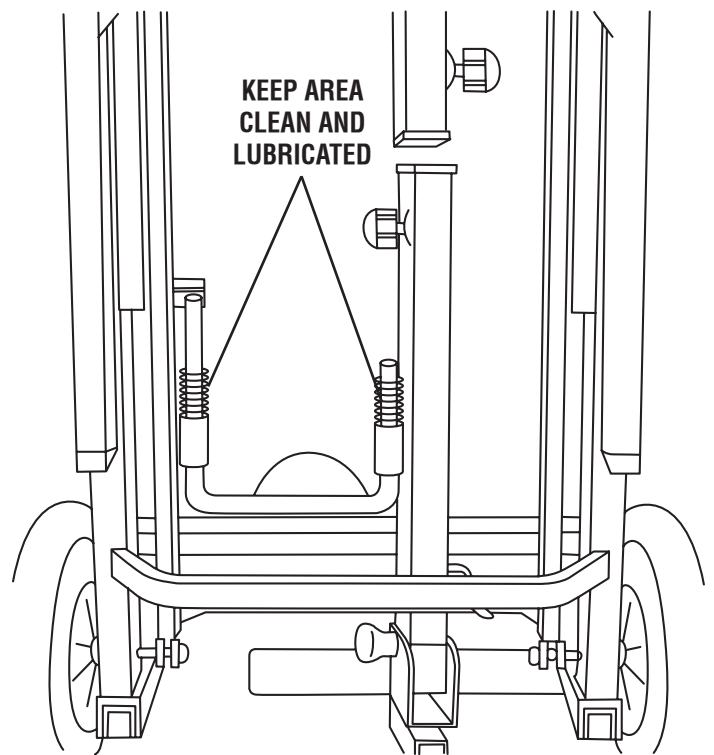
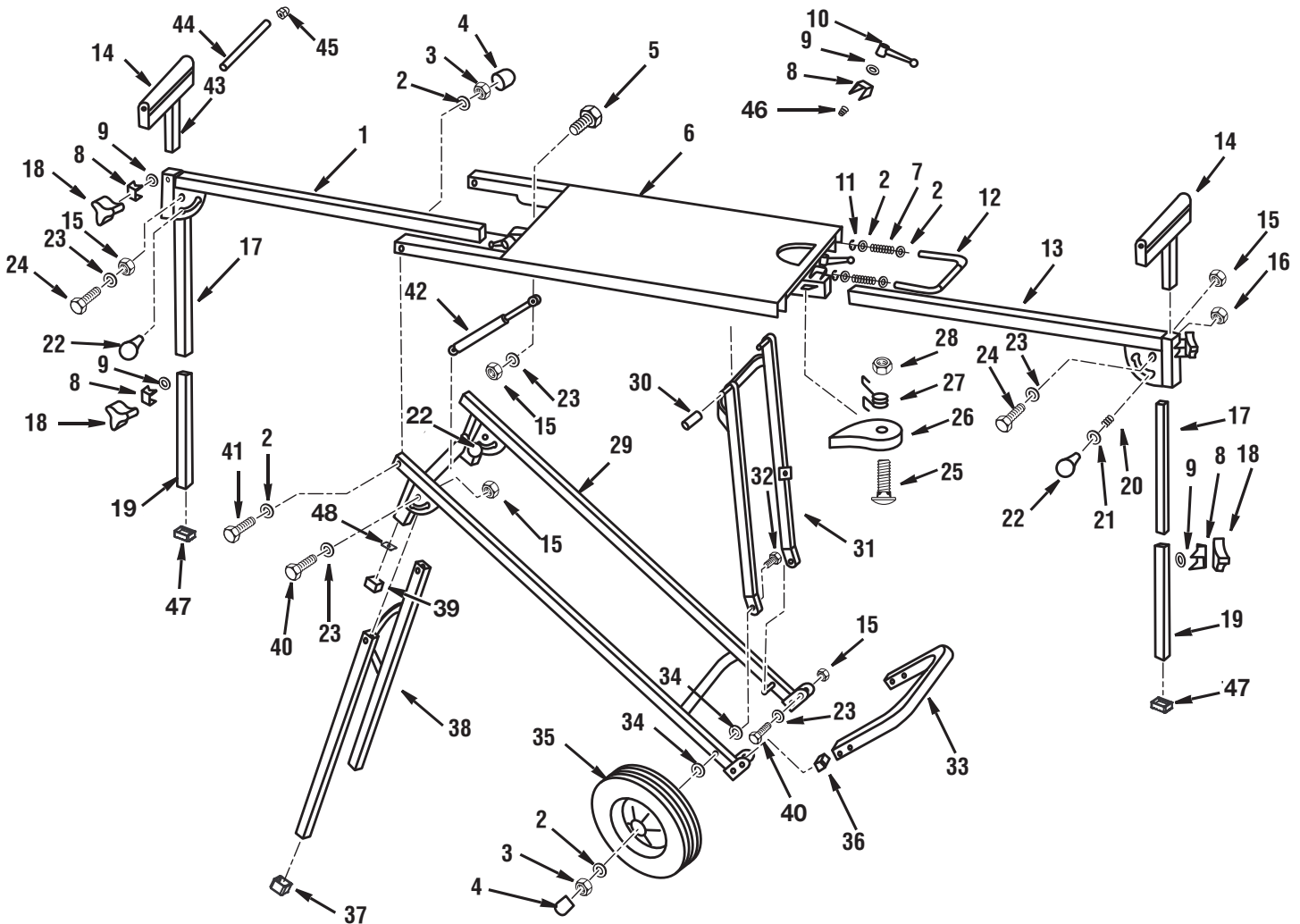


Fig. 17

EXPLODED VIEW/REPAIR PARTS



Miter Saw Utility Vehicle Model AC99401 RIDGID parts are at www.ridgidparts.com

Key No.	Part No.	Description	Key No.	Part No.	Description
1	829859	Rear Roller Extension	26	829874	Extension Stop
2	829758-5	Washer (20 x 10.5 x 1.5)	27	829875	Torsion Spring
3	829759-3	Nylock Nut (M10)	28	829759-2	Nylock Nut (M5)
4	829799	Rubber Cap	29	829855	Main Frame
5	829757-6	Hex Head Bolt (M8 x 1.25 x 33)	30	829834	Nylon Roller
6	830256	Table	31	829862	Table Pivot Leg Support
7	829871-1	Compression Spring	32	829835	Shoulder Bolt
8	829741	Clamp	33	829857	Front Foot
9	829758-5	Washer (20 x 10.5 x 1.5)	34	829758-6	Washer (24 x 13 x 2)
10	829742	Handle	35	829868	Wheel
11	829872	E-Ring	36	830270	Plug
12	829908	Lock Lever/Latch Pin Assembly	37	829876	Rubber Foot
13	829858	Front Roller Extension	38	829856	Rear Leg Support
14	829865	Roller	39	829877	Rubber Foot
15	829759	Nylock Nut (M8)	40	829757-3	Hex Head Bolt (M8 x 1.25 x 50)
16	829759-1	Nylock Nut (M6)	41	829757-4	Hex Head Bolt (M10 x 1.5 x 60)
17	829860	Leg Roller Support	42	829869	Gas Spring
18	829833	Knob	43	829864	Roller Support
19	829861	Leg Roller Extension	44	829954	Roller Shaft
20	829871	Compression Spring	45	829955	Cap Roller
21	829758-10	Washer (13 x 6.5 x 3)	46	000900108002	Tower Spring
22	829878	Locking Pin	47	829960	Cap - Roller Leg
23	829758-3	Washer (16 x 8.5 x 1.5)	48	000900108003	Plate Insert
24	829757	Hex Head Bolt (M8 x 1.25 x 47)		983000-894	Operator's Manual
25	829836	Hex Head Bolt (M5 x 0.8 x 15)			

WARRANTY

RIDGID® HAND HELD AND STATIONARY POWER TOOL 3 YEAR LIMITED SERVICE WARRANTY

Proof of purchase must be presented when requesting warranty service.

Limited to RIDGID® hand held and stationary power tools purchased 2/1/04 and after. This product is manufactured by One World Technologies, Inc. The trademark is licensed from RIDGID, Inc. All warranty communications should be directed to One World Technologies, Inc., attn: RIDGID Hand Held and Stationary Power Tool Technical Service at (toll free) 1-866-539-1710.

90-DAY SATISFACTION GUARANTEE POLICY

During the first 90 days after the date of purchase, if you are dissatisfied with the performance of this RIDGID® Hand Held and Stationary Power Tool for any reason you may return the tool to the dealer from which it was purchased for a full refund or exchange. To receive a replacement tool you must present proof of purchase and return all original equipment packaged with the original product. The replacement tool will be covered by the limited warranty for the balance of the 3 YEAR service warranty period.

WHAT IS COVERED UNDER THE 3 YEAR LIMITED SERVICE WARRANTY

This warranty on RIDGID® Hand Held and Stationary Power Tools covers all defects in workmanship or materials and normal wear items such as brushes, chucks, motors, switches, cords, gears and even cordless batteries in this RIDGID® tool for three years following the purchase date of the tool. Warranties for other RIDGID® products may vary.

HOW TO OBTAIN SERVICE

To obtain service for this RIDGID® tool you must return it; freight prepaid, or take it in to an authorized service center for RIDGID® branded hand held and stationary power tools. You may obtain the location of the authorized service center nearest you by calling (toll free) 1-866-539-1710 or by logging on to the RIDGID® website at www.ridgid.com. When requesting warranty service, you must present the original dated sales receipt. The authorized service center will repair any faulty workmanship, and either repair or replace any part covered under the warranty, at our option, at no charge to you.

WHAT IS NOT COVERED

This warranty applies only to the original purchaser at retail and may not be transferred. This warranty only covers defects arising under normal usage and does not cover any malfunction, failure or defect resulting from misuse, abuse, neglect, alteration, modification or repair by other than an authorized service center for RIDGID® branded hand held and stationary power tools. Consumable accessories provided with the tool such as, but not limited to, blades, bits and sand paper are not covered.

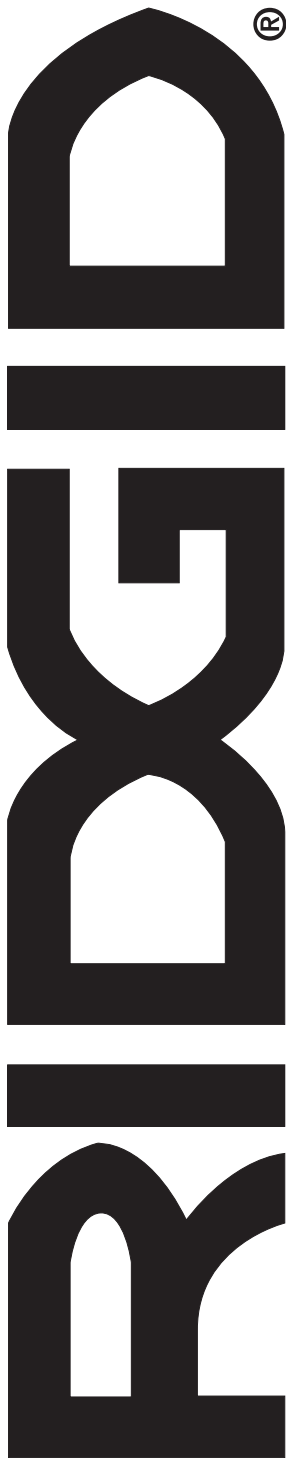
RIDGID, INC. AND ONE WORLD TECHNOLOGIES, INC. MAKE NO WARRANTIES, REPRESENTATIONS OR PROMISES AS TO THE QUALITY OR PERFORMANCE OF ITS POWER TOOLS OTHER THAN THOSE SPECIFICALLY STATED IN THIS WARRANTY.

ADDITIONAL LIMITATIONS

To the extent permitted by applicable law, all implied warranties, including warranties of MERCHANTABILITY or FITNESS FOR A PARTICULAR PURPOSE, are disclaimed. Any implied warranties, including warranties of merchantability or fitness for a particular purpose, that cannot be disclaimed under state law are limited to three years from the date of purchase. One World Technologies, Inc. and RIDGID, Inc. are not responsible for direct, indirect, incidental or consequential damages. Some states do not allow limitations on how long an implied warranty lasts and/or do not allow the exclusion or limitation of incidental or consequential damages, so the above limitations may not apply to you. This warranty gives you specific legal rights, and you may also have other rights which vary from state to state.

One World Technologies, Inc.

P.O. Box 35, Hwy. 8
Pickens, SC 29671



OPERATOR'S MANUAL

Miter Saw Utility Vehicle™

AC99401

For Use With RIDGID 10 in. and
12 in. Miter Saws and other
miter saws

Customer Service Information:

For parts or service, contact your nearest RIDGID authorized service center. Be sure to provide all relevant information when you call or visit. For the location of the authorized service center nearest you, please call 1-866-539-1710 or visit us online at www.ridgid.com.

The model number and serial number are found on a plate attached to bottom of the table. Please record the serial number in the space provided below. When ordering repair parts, always give the following information:

Model No. _____ AC99401 _____

Serial No. _____

Free Manuals Download Website

<http://myh66.com>

<http://usermanuals.us>

<http://www.somanuals.com>

<http://www.4manuals.cc>

<http://www.manual-lib.com>

<http://www.404manual.com>

<http://www.luxmanual.com>

<http://aubethermostatmanual.com>

Golf course search by state

<http://golfingnear.com>

Email search by domain

<http://emailbydomain.com>

Auto manuals search

<http://auto.somanuals.com>

TV manuals search

<http://tv.somanuals.com>