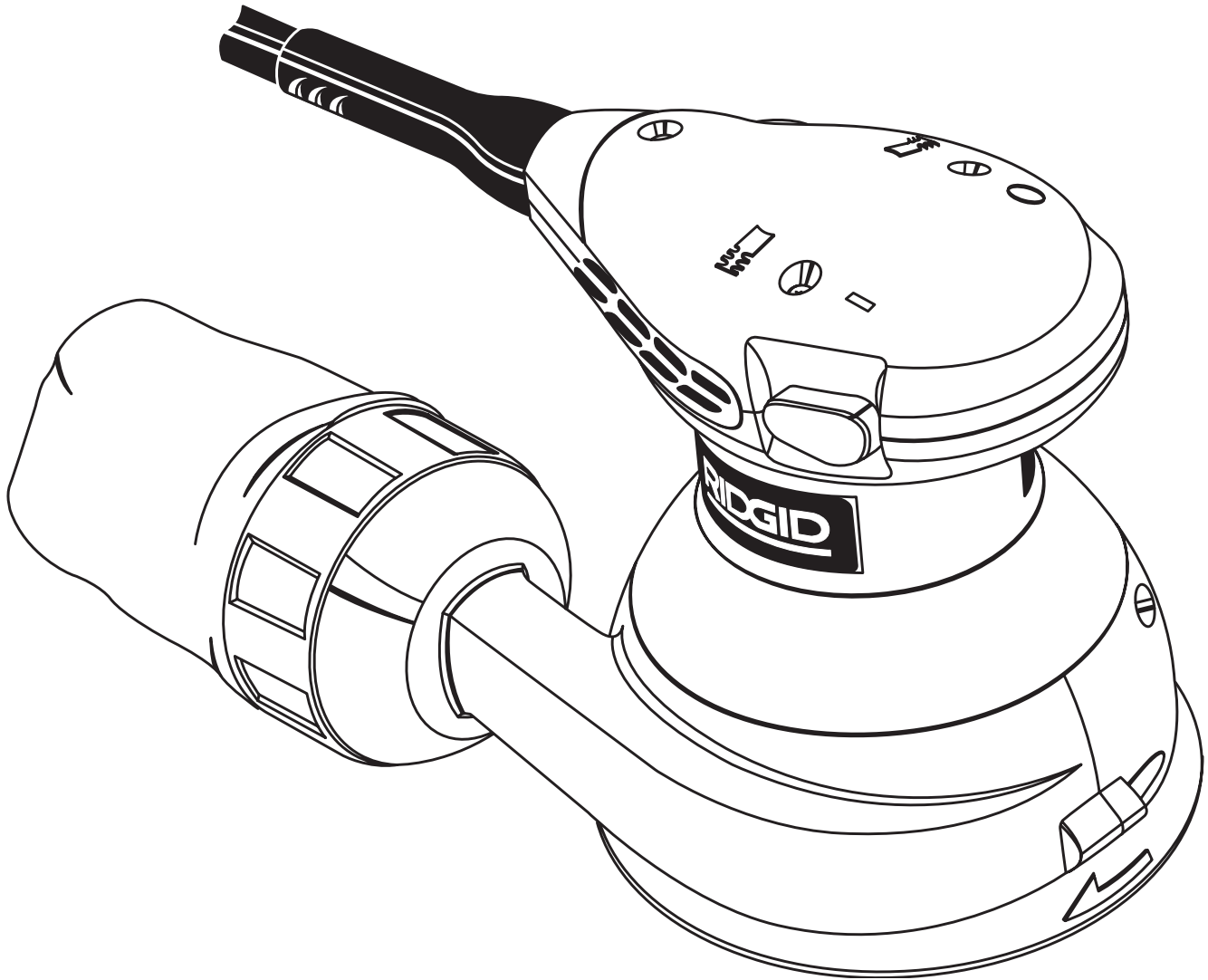


**OPERATOR'S MANUAL**  
**Random Orbit Sander**  
**R2600**  
**Variable Speed**



This new random orbit sander has been engineered and manufactured to our high standard for dependability, ease of operation and operator safety. When properly cared for, the random orbit sander will give you years of rugged, trouble-free performance.

---

**⚠ WARNING**

To reduce the risk of injury, the user must read and understand the operator's manual before using this product.

---

Thank you for buying a RIDGID product.

**SAVE THIS MANUAL FOR FUTURE REFERENCE**

# TABLE OF CONTENTS

---

■ General Safety Rules .....	3-4
■ Specific Safety Rules .....	4
■ Symbols .....	5
■ Specifications .....	6
■ Electrical .....	6
■ Unpacking .....	7
■ Applications .....	7
■ Features .....	8-9
■ Assembly .....	10-12
■ Operation .....	13-14
■ Adjustments .....	15
■ Maintenance .....	16
■ Warranty .....	19
■ Customer Service Information .....	20

## INTRODUCTION

---

Your random orbit sander has many features for making the use of this product more pleasant and enjoyable. Safety, performance, and dependability have been given top priority in the design of this product making it easy to maintain and operate.

---

### **WARNING:**

Do not attempt to use this product until you thoroughly read and completely understand the operator's manual. Pay close attention to the safety rules, including Dangers, Warnings, and Cautions. If you use your product properly and only as intended, you will enjoy years of safe, reliable service.

---



**Look for this symbol to point out important safety precautions. It means attention!!! Your safety is involved.**



---

### **WARNING:**

The operation of any tool can result in foreign objects being thrown into your eyes, which can result in severe eye damage. Before beginning operation, always wear safety goggles or safety glasses with side shields and a full face shield when needed. We recommend Wide Vision Safety Mask for use over eyeglasses or standard safety glasses with side shields. Always wear eye protection which is marked to comply with ANSI Z87.1.

---

# GENERAL SAFETY RULES

## **⚠ WARNING:**


**Read and understand all instructions.** Failure to follow all instructions listed below, may result in electric shock, fire and/or serious personal injury.

## SAVE THESE INSTRUCTIONS

### Work Area

- **Keep your work area clean and well lit.** Cluttered benches and dark areas invite accidents.
- **Do not operate power tools in explosive atmospheres, such as in the presence of flammable liquids, gases, or dust.** Power tools may create sparks which may ignite the dust or fumes.
- **Keep bystanders, children, and visitors away while operating a power tool.** Distractions can cause you to lose control.

### Electrical Safety

- **Double insulated tools are equipped with a polarized plug (one blade is wider than the other). This plug will fit in a polarized outlet only one way. If the plug does not fit fully in the outlet, reverse the plug. If it still does not fit, contact a qualified electrician to install a polarized outlet. Do not change the plug in any way.** Double insulation  eliminates the need for the three-wire grounded power cord and grounded power supply system.
- **Avoid body contact with grounded surfaces, such as pipes, radiators, ranges, and refrigerators.** There is an increased risk of electric shock if your body is grounded.
- **Don't expose power tools to rain or wet conditions.** Water entering a power tool will increase the risk of electric shock.
- **Do not abuse the cord. Never use the cord to carry the tools or pull the plug from an outlet. Keep cord away from heat, oil, sharp edges, or moving parts. Replace damaged cords immediately.** Damaged cords increase the risk of electric shock.
- **When operating a power tool outside, use an outdoor extension cord marked "W-A" or "W".** These cords are rated for outdoor use and reduce the risk of electric shock.

### Personal Safety

- **Stay alert, watch what you are doing and use common sense when operating a power tool. Do not use tool while tired or under the influence of drugs, alcohol, or medication.** A moment of inattention while operating power tools may result in serious personal injury.
- **Dress properly. Do not wear loose clothing or jewelry. Contain long hair. Keep your hair, clothing, and**

**gloves away from moving parts.** Loose clothes, jewelry, or long hair can be caught in moving parts.

- **Avoid accidental starting. Be sure switch is off before plugging in.** Carrying tools with your finger on the switch or plugging in tools that have the switch on, invites accidents.
- **Remove adjusting keys or wrenches before turning the tool on.** A wrench or a key that is left attached to a rotating part of the tool may result in personal injury.
- **Do not overreach. Keep proper footing and balance at all times.** Proper footing and balance enables better control of the tool in unexpected situations.
- **Use safety equipment. Always wear eye protection.** Dust mask, nonskid safety shoes, hard hat, or hearing protection must be used for appropriate conditions.
- **Do not use on a ladder or unstable support.**
- **Loose clothes, jewelry, or long hair can be drawn into air vents.**

### Tool Use and Care

- **Use clamps or other practical way to secure and support the workpiece to a stable platform.** Holding the work by hand or against your body is unstable and may lead to loss of control.
- **Do not force tool. Use the correct tool for your application.** The correct tool will do the job better and safer at the rate for which it is designed.
- **Do not use tool if switch does not turn it on or off.** Any tool that cannot be controlled with the switch is dangerous and must be repaired.
- **Disconnect the plug from power source before making any adjustments, changing accessories, or storing the tool.** Such preventive safety measures reduce the risk of starting the tool accidentally.
- **Store idle tools out of the reach of children and other untrained persons.** Tools are dangerous in the hands of untrained users.
- **Maintain tools with care. Keep cutting tools sharp and clean.** Properly maintained tools with sharp cutting edges are less likely to bind and are easier to control.
- **Check for misalignment or binding of moving parts, breakage of parts, and any other condition that may affect the tool's operation. If damaged, have the tool serviced before using.** Many accidents are caused by poorly maintained tools.
- **Use only accessories that are recommended by the manufacturer for your model.** Accessories that may be suitable for one tool, may become hazardous when used on another tool.

# GENERAL SAFETY RULES

---

## Service

- **Tool service must be performed only by qualified repair personnel.** Service or maintenance performed by unqualified personnel could result in a risk of injury.

- **When servicing a tool, use only identical replacement parts. Follow instructions in the Maintenance section of this manual.** Use of unauthorized parts or failure to follow Maintenance Instructions may create a risk of electric shock or injury.

## SPECIFIC SAFETY RULES

---

- **Hold tool by insulated gripping surfaces when performing an operation where the cutting tool may contact hidden wiring or its cord.** Contact with a “live” wire will make exposed metal parts of the tool “live” and shock the operator.

### Additional Safety Rules

- **Know your power tool. Read operator’s manual carefully. Learn its applications and limitations, as well as the specific potential hazards related to this tool.** Following this rule will reduce the risk of electric shock, fire, or serious injury.
- **Always wear safety glasses. Everyday eyeglasses have only impact-resistant lenses; they are NOT safety glasses.** Following this rule will reduce the risk of serious personal injury.
- **Protect your lungs. Wear a face or dust mask if the operation is dusty.** Following this rule will reduce the risk of serious personal injury.
- **Protect your hearing. Wear hearing protection during extended periods of operation.** Following this rule will reduce the risk of serious personal injury.
- **Inspect tool cords periodically and, if damaged, have repaired at your nearest Authorized Service Center. Constantly stay aware of cord location.** Following this rule will reduce the risk of electric shock or fire.
- **Check damaged parts. Before further use of the tool, a guard or other part that is damaged should be carefully checked to determine that it will operate properly and perform its intended function. Check for alignment of moving parts, binding of moving parts, breakage of parts, mounting, and any other conditions that may affect its operation. A guard or other part that is damaged should be properly repaired or replaced by an authorized service center.** Following this rule will reduce the risk of shock, fire, or serious injury.
- **Do not abuse cord. Never carry the tool by the cord or yank it to disconnect it from the receptacle. Keep cord away from heat, oil, and sharp edges.** Following this rule will reduce the risk of electric shock or fire.
- **Make sure your extension cord is in good condition. When using an extension cord, be sure to use one heavy enough to carry the current your product will draw. A wire gage size (A.W.G.) of at least 16 is recommended for an extension cord 50 feet or less in length. A cord exceeding 100 feet is not recommended. If in doubt, use the next heavier gage. The**

**smaller the gage number, the heavier the cord.** An undersized cord will cause a drop in line voltage resulting in loss of power and overheating.

- **Inspect for and remove all nails from lumber before using this tool.** Following this rule will reduce the risk of serious personal injury.
- **Drugs, alcohol, medication. Do not operate tool while under the influence of drugs, alcohol, or any medication.** Following this rule will reduce the risk of electric shock, fire, or serious personal injury.
- **Save these instructions.** Refer to them frequently and use them to instruct others who may use this tool. If you loan someone this tool, loan them these instructions also.

---

### **WARNING:**

Some dust created by power sanding, sawing, grinding, drilling, and other construction activities contains chemicals known to cause cancer, birth defects or other reproductive harm. Some examples of these chemicals are:





- lead from lead-based paints,
- crystalline silica from bricks and cement and other masonry products, and
- arsenic and chromium from chemically-treated lumber.

Your risk from these exposures varies, depending on how often you do this type of work. To reduce your exposure to these chemicals: work in a well ventilated area, and work with approved safety equipment, such as those dust masks that are specially designed to filter out microscopic particles.

---

# SYMBOLS

**Important:** Some of the following symbols may be used on your tool. Please study them and learn their meaning. Proper interpretation of these symbols will allow you to operate the tool better and safer.

SYMBOL	NAME	DESIGNATION/EXPLANATION
V	Volts	Voltage
A	Amperes	Current
Hz	Hertz	Frequency (cycles per second)
W	Watt	Power
min	Minutes	Time
~	Alternating Current	Type of current
$n_0$	No Load Speed	Rotational speed, at no load
	Class II Construction	Double-insulated construction
.../min	Per Minute	Revolutions, strokes, surface speed, orbits etc., per minute
	Safety Alert	Precautions that involve your safety
	Eye Protection	Always wear safety goggles or safety glasses with side shields and a full face shield when operating this product.
	Wet Conditions Alert	Do not expose to rain or use in damp locations.

The purpose of safety symbols is to attract your attention to possible dangers. The safety symbols, and the explanations with them, deserve your careful attention and understanding. The safety warnings do not by themselves eliminate any danger. The instructions or warnings they give are not substitutes for proper accident prevention measures.



**DANGER:** Indicates an imminently hazardous situation, which, if not avoided, will result in death or serious injury.



**WARNING:** Indicates a potentially hazardous situation, which, if not avoided, could result in death or serious injury.



**CAUTION:** Indicates a potentially hazardous situation, which, if not avoided, may result in minor or moderate injury. It may also be used to alert against unsafe practices that may cause property damage.

**Important:** Advises you of important information or instructions vital to the operation or maintenance of the equipment.

**Note:** Advises you of additional information concerning the operation or maintenance of the equipment.

# SPECIFICATIONS

Sanding Disc Diameter .....	5 in. (12.7 cm)
Orbit Diameter .....	3/32 in. (0.24 cm)
No Load Speed .....	7,000 - 12,000/min
Input .....	120 Volts, 60 Hz, AC only, 3 Amps
Net Weight .....	3.0 lbs. (1.4 kg)

# ELECTRICAL

## Double Insulation

Double insulation is a concept in safety in electric power tools, which eliminates the need for the usual three-wire grounded power cord. All exposed metal parts are isolated from the internal metal motor components with protecting insulation. Double insulated tools do not need to be grounded.

### WARNING:

The double insulated system is intended to protect the user from shock resulting from a break in the tool's internal wiring. Observe all normal safety precautions to avoid electrical shock.

**Important:** Servicing of a tool with double insulation requires extreme care and knowledge of the system and should be performed only by a qualified service technician. For service, we suggest you return the tool to your nearest authorized service center for repair. Always use original factory replacement parts when servicing.

## Electrical Connection

The random orbit sander has a precision-built electric motor. It should be connected to a power supply that is 120 volts, 60 Hz, AC only (normal household current). Do not operate this tool on direct current (DC). A substantial voltage drop will cause a loss of power and the motor will overheat. If your tool does not operate when plugged into an outlet, double-check the power supply.

## Extension Cords

When using a power tool at a considerable distance from a power source, be sure to use an extension cord that has the capacity to handle the current the tool will draw. An undersized cord will cause a drop in line voltage, resulting in overheating and loss of power. Use the chart to determine the minimum wire size required in an extension cord. Only round jacketed cords listed by Underwriter's Laboratories (UL) should be used.

When working outdoors with a tool, use an extension cord that is designed for outside use. This type of cord is designated with "WA" on the cord's jacket.

Before using any extension cord, inspect it for loose or exposed wires and cut or worn insulation.

\*\*Ampere rating (on tool faceplate)

Cord Length	Wire Size (A.W.G.)					
	0-2.0	2.1-3.4	3.5-5.0	5.1-7.0	7.1-12.0	12.1-16.0
25'	16	16	16	16	14	14
50'	16	16	16	14	14	12
100'	16	16	14	12	10	—

\*\*Used on 12 gauge - 20 amp circuit.

### CAUTION:

Keep the extension cord clear of the working area. Position the cord so that it will not get caught on lumber, tools or other obstructions while you are working with a power tool. Failure to do so can result in serious personal injury.

### WARNING:

Check extension cords before each use. If damaged replace immediately. Never use tool with a damaged cord since touching the damaged area could cause electrical shock resulting in serious injury.

# UNPACKING

---

## Instructions

When unpacking the random orbit sander:

- Carefully remove the tool and accessories from the box.
- Make sure that all items listed in the packing list are included.
- Inspect the tool carefully to make sure no breakage or damage occurred during shipping.
- Do not discard the packing material until you have carefully inspected and satisfactorily operated the tool.
- If any parts are damaged or missing, please call 1-866-539-1710 for assistance.

## Packing List

1/4 Sheet Orbital Sander

PSA (Pressure Sensitive Adhesive) Pad

80-Grit Sandpaper (2 sheets)

Operator's Manual

# APPLICATIONS

---

You may use the random orbit sander for the purposes listed below:

- Sanding wood or wood product surfaces
- Sanding steel surfaces
- Removing rust from steel surfaces



## WARNING:

If any parts are missing do not operate the tool until the missing parts are replaced. Failure to do so could result in possible serious personal injury.

---



## WARNING:

The random orbit sander should never be connected to a power supply when you are assembling parts, making adjustments, cleaning, performing maintenance, or when the tool is not in use. Disconnecting the tool will prevent accidental starting that could cause injury.

---

# FEATURES

---

Before using the random orbit sander, familiarize yourself with all operating features and safety requirements. However, do not let familiarity with the tool make you careless.

---

## **WARNING:**

Exercise caution when using the random orbit sander. Careless actions, for even a fraction of a second, can result in serious personal injury.

---

Your new random orbit sander is equipped with the following features. See *Figure 1*.

### **Switch**

The sander has a conveniently-located ON/OFF switch.

### **Variable Speed**

The variable speed feature allows you to operate the sander at different speeds.

### **Backing Pad**

The Micro-Fiber™ hook and loop pad accepts standard hook and loop sanding discs. The supplied PSA pad accepts pressure sensitive adhesive sanding discs.

### **Integrated Brake Pad**

The integrated brake pad prevents pad “overspin,” which helps eliminate sanding scratches when you apply the sander to, or remove it from, a work surface.

### **Dust Bag**

The dust bag attaches to the sander and keeps dust to a minimum.

### **Vacuum Adaptor**

The built-in vacuum adaptor allows you to connect to a 1-1/4 in. or 2-1/2 in. diameter vacuum hose to help keep the work area clean.

### **Ergonomic Design**

The design of the random orbit sander provides for easy handling. It is designed for comfort and ease of grasp when operating in different positions and at different angles.

### **Power Cord**

The 12-foot cord has a built-in cord wrap.

### **Lighted Plug**

The lighted plug helps to easily identify live tools.



# FEATURES

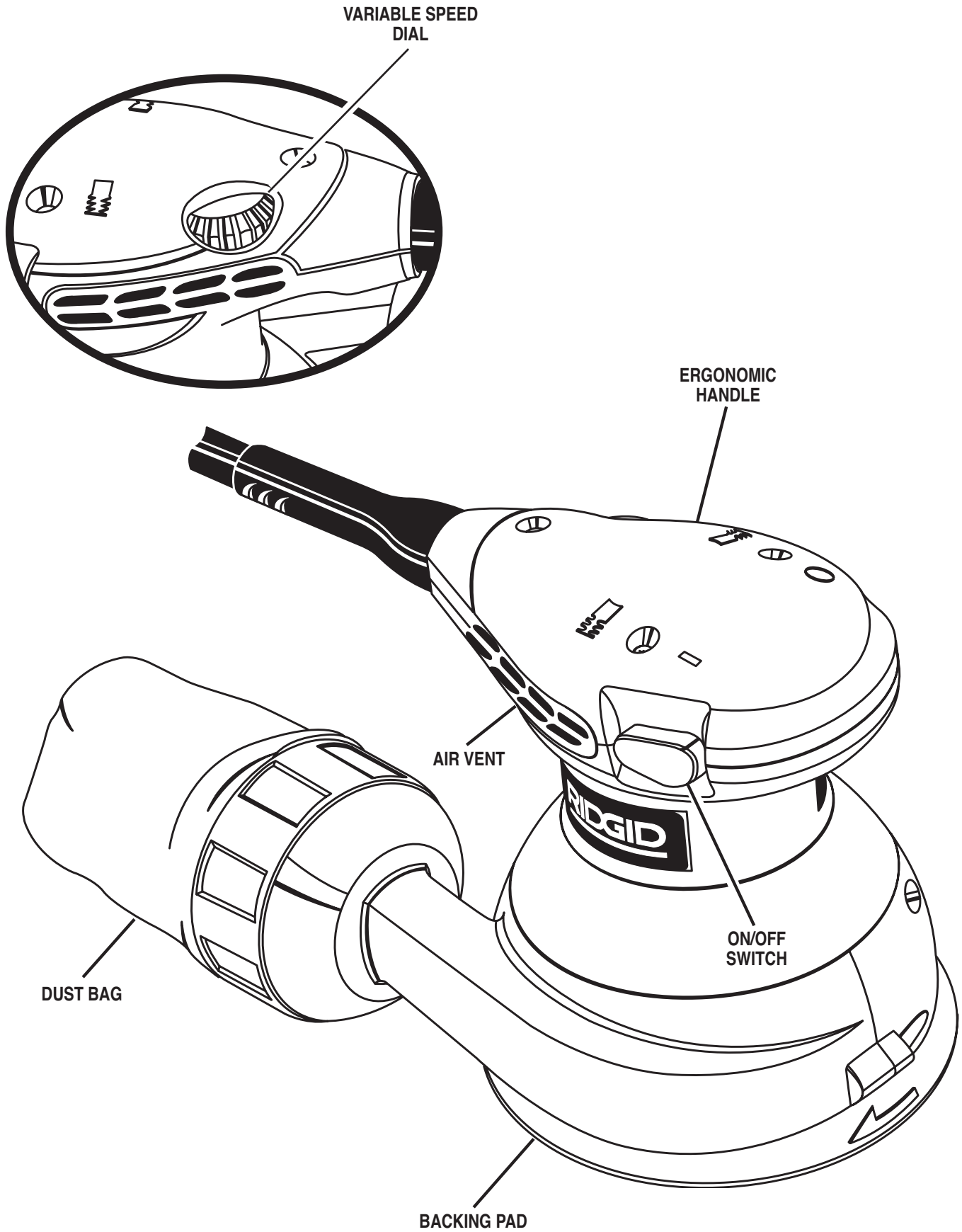


Fig. 1

# ASSEMBLY

## **⚠ WARNING:**

The sander should never be connected to a power supply when you are assembling parts, making adjustments, cleaning, performing maintenance, or when the tool is not in use. Disconnecting the tool will prevent accidental starting that could cause serious injury.

## **Sanding Disc Selection**

Selecting the correct size grit and type sanding disc is an extremely important step in achieving a high quality sanded finish. Aluminum oxide, silicon carbide, and other synthetic abrasives are best for power sanding. Natural abrasives, such as flint and garnet are too soft for economical use in power sanding.

In general, coarse grit will remove the most material and finer grit will produce the best finish in all sanding operations. The condition of the surface to be sanded will determine which grit will do the job. If the surface is rough, start with a coarse grit and sand until the surface is uniform. Medium grit may then be used to remove scratches left by the coarser grit and finer grit used for finishing of the surface. Always continue sanding with each grit until surface is uniform.

## **Attaching Hook and Loop Sanding Discs**

See Figure 2.

1. Unplug the sander.
2. Align holes in hook and loop sanding disc with holes in pad, then carefully press fuzzy side of sanding disc against pad as tightly as possible.

**Note:** Hook and loop type sanding discs can be reused for the life of the sanding abrasive. It is recommended that you keep the sanding disc backing pad clean to provide for best adhesion. Clean occasionally by brushing lightly with a small brush.

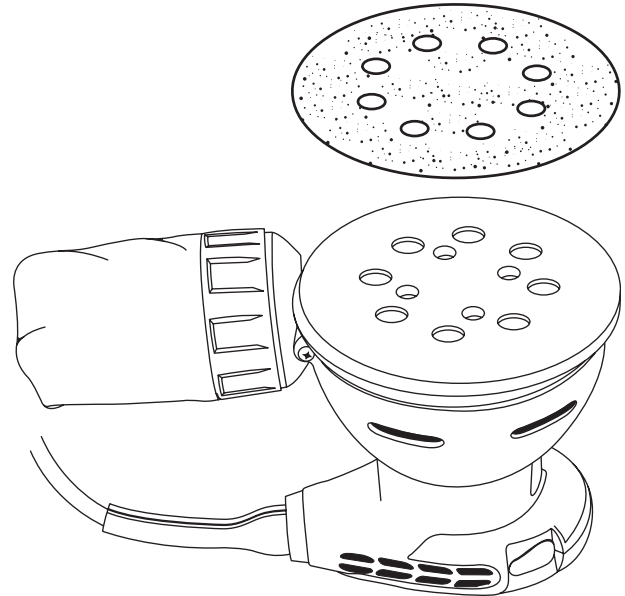


Fig. 2

# ASSEMBLY

## Replacing the Pressure Sensitive Adhesive (PSA) Sanding Pad and Disc Attachment

See Figure 3.

The sander comes assembled with the Micro-Fiber™ hook and loop pad. To attach the pressure sensitive adhesive (PSA) pad, you must first remove the hook and loop pad. Inspect sanding disc before installing. Do not use if broken or defective.

1. Unplug your sander.
2. Remove the four screws that hold the hook and loop pad in place.
3. Remove the hook and loop pad.
4. Clean dust particles from the pad brake.
5. Apply a thin layer of lightweight grease to the back of the pad.
6. Align the holes in the pressure sensitive adhesive (PSA) pad with the four screw holes in the sander.
7. Replace the four screws securely.
8. Carefully peel paper backing from the pressure sensitive adhesive type sanding disc.
9. Align holes in sanding disc with holes in backing pad, then carefully press sticky side of disc against pad as tightly as possible.

**Note:** Holes in sanding disc must line up with holes in the backing pad in order for the dustless feature of your sander to function properly.

**Note:** It is recommended that you clean backing pad occasionally by brushing lightly with a small brush. Dust buildup on backing pad could cause sanding disc not to stick properly.

## Remove PSA Sanding Disc Before Storage

Do not store your sander with the sanding disc installed. Heat generated from sanding causes the pressure sensitive adhesive to flow and form a tight bond between the backing pad and sanding disc.

Removing the sanding disc soon after you have finished a sanding operation avoids letting the adhesive set up. If the sanding disc is left on the backing pad for an extended period of time after use, the adhesive will set up and cause the sanding disc to become difficult to remove.

It may also tear when removing. When this situation occurs, it becomes difficult to clean the backing pad for the next sanding disc.

**Note:** If you forget to remove the sanding disc after a sanding operation, sand for a few minutes to soften the adhesive backing before attempting to remove sanding disc.

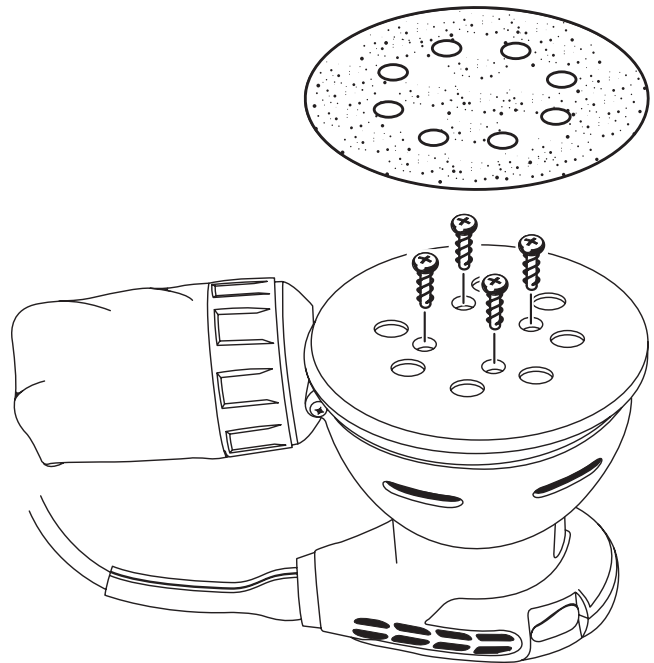


Fig. 3

# ASSEMBLY

## **⚠ WARNING:**

The sander should never be connected to a power supply when you are assembling parts, making adjustments, cleaning, performing maintenance, or when the tool is not in use. Disconnecting the tool will prevent accidental starting that could cause serious injury.

## **Attaching the Dust Bag**

See Figure 4.

The dust bag provides a dust collection system for the sander. Sanding dust is drawn up through the holes of the sanding disc and collected in the dust bag during sanding. Follow these steps to attach the dust bag.

1. Unplug the sander.
2. Using a slight twisting motion as shown in figure 4, firmly slide dust bag assembly in blower exhaust on sander.

## **Attaching the Sander to a Vacuum**

See Figure 5.

You can easily attach the dust collection system of your sander to a vacuum.

1. Unplug the sander.
2. Remove the dust bag from the sander.
3. Attach vacuum hose to blower exhaust as shown in figure 5.

Note: Vacuum hose fits inside blower exhaust.

4. Connect sander and vacuum to power supply.

## **⚠ WARNING:**

When sander is not connected to vacuum, always reinstall dust bag assembly back onto sander. Failure to do so could cause sanding dust or foreign objects to be thrown into your face or eyes which could result in possible serious injury.

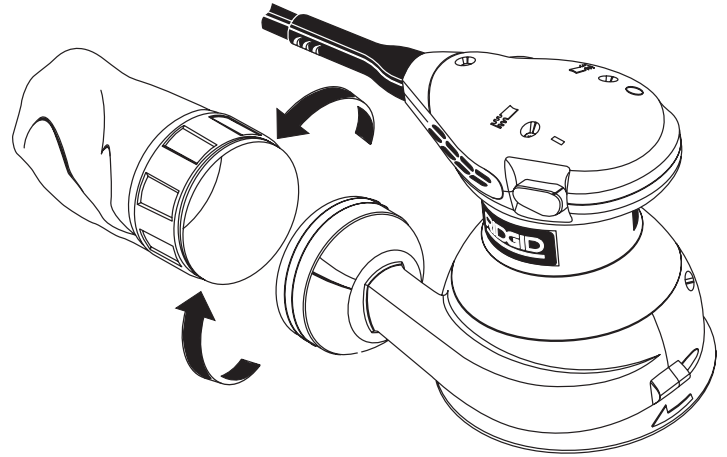


Fig. 4

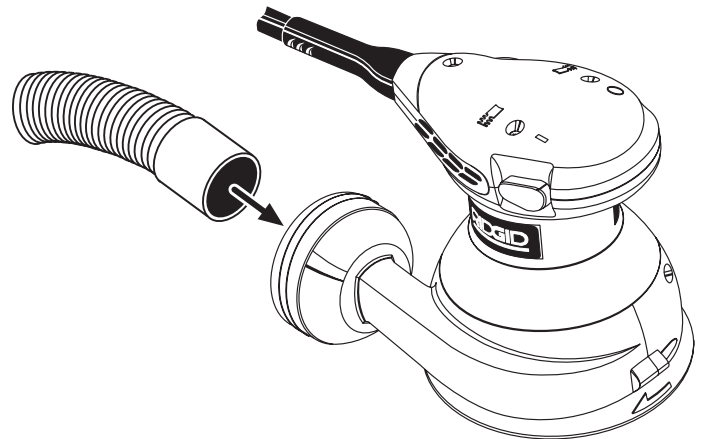


Fig. 5

# OPERATION

## **⚠ WARNING:**

Always wear safety goggles or safety glasses with side shields when operating this tool. Failure to do so could result in dust, shavings, or loose particles being thrown into your eyes, resulting in possible serious injury.

## **Turning the Sander On/Off**

See Figure 6.

Follow these steps to turn the sander ON/OFF.

- Turn on the sander: Push the ON/OFF switch to the left.
- Turn off the sander: Push the ON/OFF switch to the right.

## **Operating the Sander**

See Figure 7.

Follow these steps to operate the sander.

1. Secure the workpiece to prevent it from moving under the sander.

## **⚠ WARNING:**

Unsecured workpieces could be thrown towards the operator causing injury.

## **⚠ WARNING:**

Keep your head away from the sander and the sanding area. Your hair could be drawn into the sander causing serious injury.

2. Place the sander on the workpiece so that all of the sanding disc surface is in contact with the workpiece.

## **⚠ CAUTION:**

Be careful not to let your hand cover the air vents.

3. Turn on the sander and move it slowly over the workpiece.
4. Make successive passes in parallel lines, circles, or crosswise movements.
5. Turn off the sander and wait until the sanding disc comes to a complete stop before removing it from the workpiece.

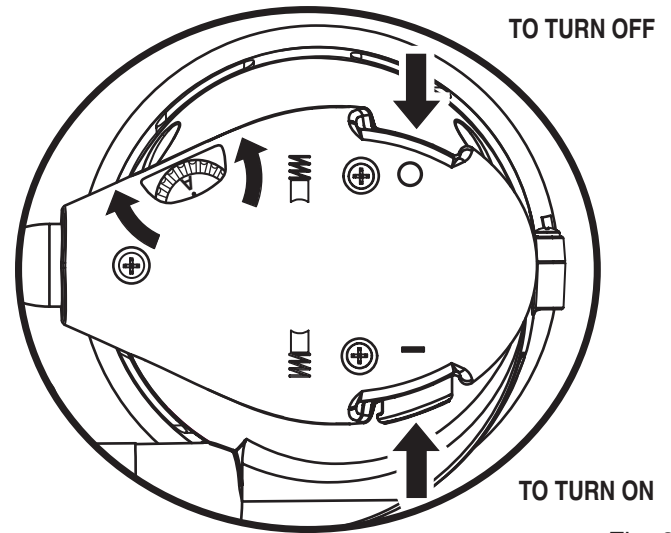


Fig. 6

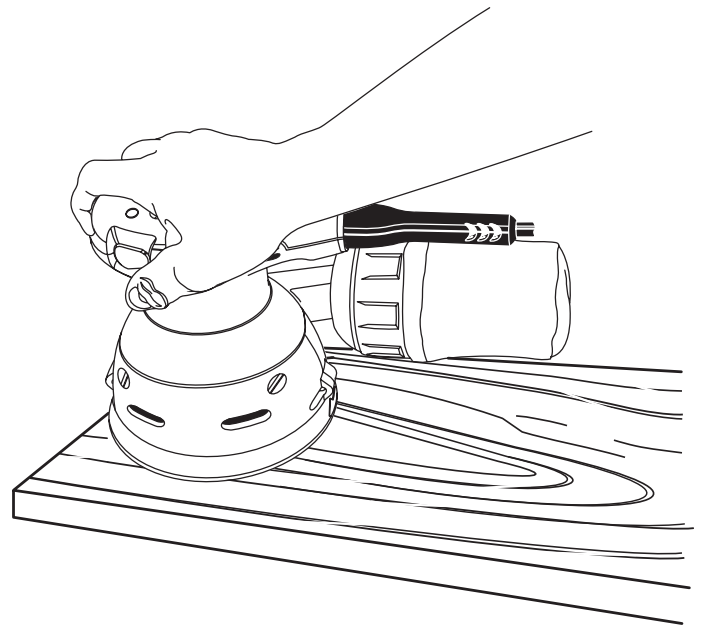


Fig. 7

# OPERATION

**Do not force.** The weight of the unit supplies adequate pressure, so let the sanding disc and sander do the work. Applying additional pressure only slows the motor, rapidly wears sanding disc and greatly reduces sander speed. Excessive pressure will overload the motor causing possible damage from motor overheating and can result in inferior work. Any finish or resin on wood may soften from the frictional heat. Do not allow sanding on one spot too long as the sander's rapid action may remove too much material, making the surface uneven.

Extended periods of sanding may tend to overheat the motor. If this occurs, turn sander off and wait until sanding disc comes to a complete stop, then remove it from workpiece. Remove your hand from vent area, remove sanding disc, then with your hand removed from vent area, turn sander on and run it free without a load to cool motor.

## Emptying the Dust Bag

See Figure 8.

For more efficient operation, empty the dust bag when it is no more than half full. This will permit the air to flow through the bag better. Always empty and clean the dust bag thoroughly upon completion of a sanding operation and before placing the sander in storage.

### **⚠ WARNING:**

Collected sanding dust from sanding surface coatings such as polyurethanes, linseed oil, etc. can self-ignite in your sander dust bag or elsewhere and cause fire. To reduce the risk of fire always empty your dust bag frequently (10-15 minutes) while sanding and never store or leave a sander without totally emptying its dust bag. Also follow the recommendations of the coatings manufacturers.

Follow these steps to empty the dust bag.

1. Unplug the sander.

### **⚠ WARNING:**

Failure to unplug the tool could result in accidental starting causing possible serious injury.

2. Remove the dust bag from the sander.
3. Shake out the dust.
4. Reattach the dust bag to the sander.

For a more thorough cleaning of the dust bag, remove dust bag from frame, as shown in figure 9, and shake out dust. Replace dust bag over frame then install dust bag assembly on sander.

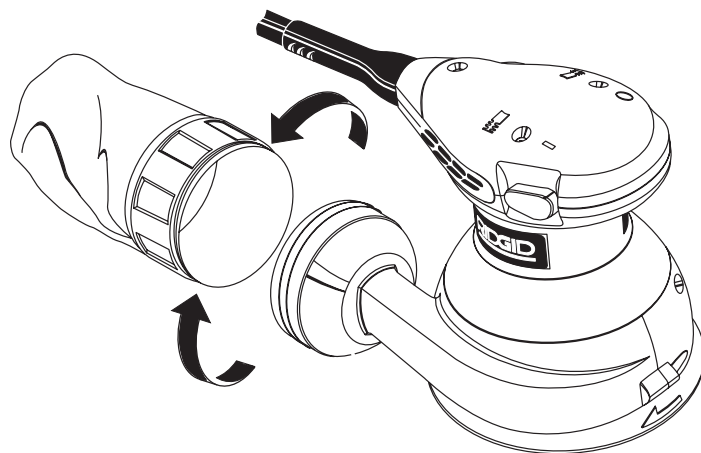


Fig. 8

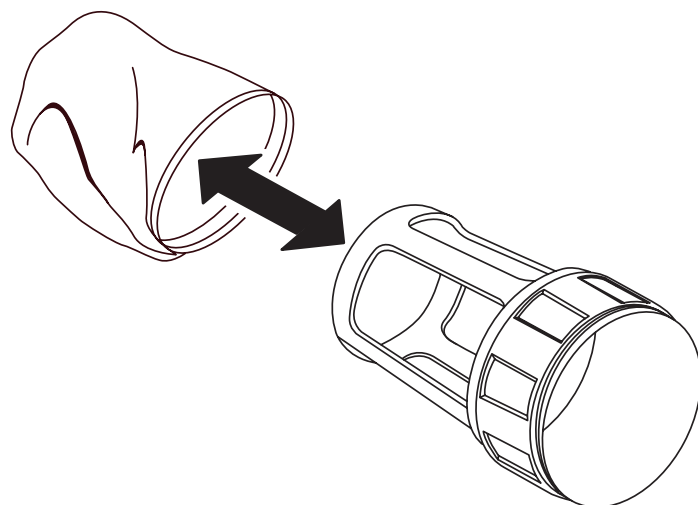


Fig. 9

# ADJUSTMENTS

---

## Variable Speed Switch

See Figure 10.

The variable speed feature allows your sander to operate at speeds that can be adjusted by rotating the dial on the variable speed switch from A to F. The dial is conveniently located on the motor housing, allowing operator control of disc speed. To increase sanding disc speed, turn the dial on the variable speed switch to a higher setting. Turn dial to a lower setting to decrease sanding disc speed.

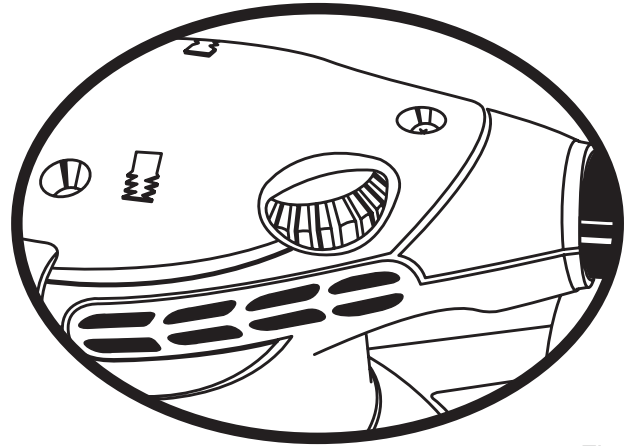


Fig. 10

# MAINTENANCE

## ⚠ WARNING:

When servicing use only identical RIDGID® replacement parts. Use of any other parts may create a hazard or cause product damage.

## ⚠ WARNING:

The random orbit sander should never be connected to a power supply when you are assembling parts, making adjustments, cleaning, performing maintenance, or when the tool is not in use. Disconnecting the tool will prevent accidental starting that could cause serious injury.

## General

Avoid using solvents when cleaning plastic parts. Most plastics are susceptible to damage from various types of commercial solvents and may be damaged by their use. Use clean cloths to remove dirt, carbon dust, etc.

## ⚠ WARNING:

Do not at any time let brake fluids, gasoline, petroleum-based products, penetrating oils, etc. come in contact with plastic parts. They contain chemicals that can damage, weaken, or destroy plastic.

Electric tools used on fiberglass material, wallboard, spackling compounds, or plaster are subject to accelerated wear and possible premature failure because the fiberglass chips and grindings are highly abrasive to bearings, brushes, commutators, etc. Consequently, we do not recommend using this tool for extended work on these types of materials. However, if you do work with any of these materials, it is extremely important to clean the tool using compressed air.

## ⚠ WARNING:

Always wear safety goggles or safety glasses with side shields during power tool operation or when blowing dust. If operation is dusty, also wear a dust mask.

## Bearing Lubrication

All of the bearings in this tool are lubricated with a sufficient amount of high grade lubricant for the life of the tool under normal operating conditions. Therefore, no further lubrication is required.

## Brush Replacement

See Figure 11.

1. Unplug your sander.

## ⚠ WARNING:

Failure to unplug the tool could result in accidental starting causing possible serious injury.

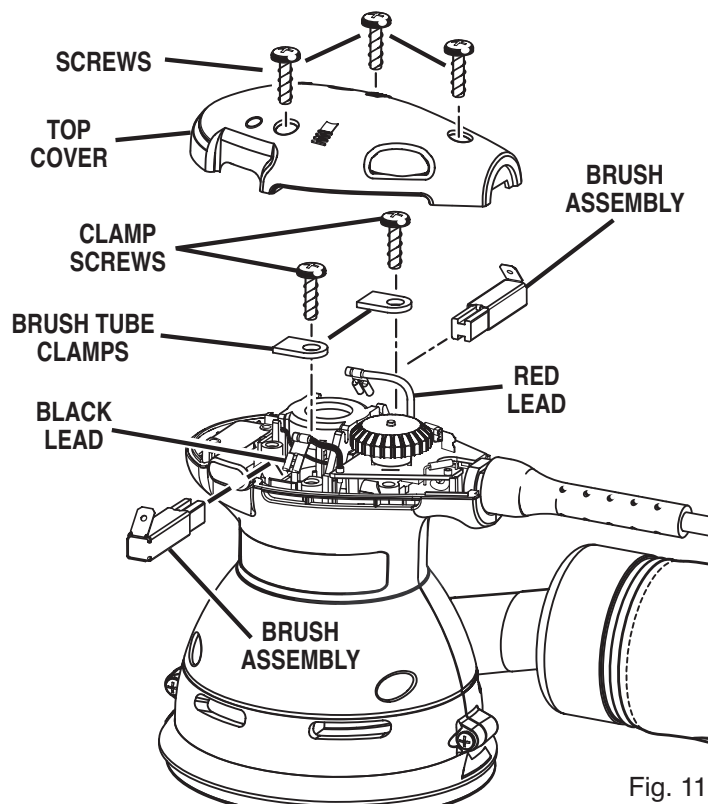


Fig. 11

2. Remove screws (3) from top cover of sander.
3. Remove top cover.
4. Remove clamp screws (2).
5. Remove brush tube clamps (2).
6. Disconnect red and black lead terminals from brush tubes.
7. Remove brush assemblies (2).
8. Check for wear. Replace both brush assemblies when either has less than 1/4 in. length of carbon remaining. Do not replace one side without replacing the other.
9. Reassemble using new brush assemblies. Make sure curvature of brush matches curvature of motor and that brush moves freely in brush tube.
10. Reassemble by reversing the steps listed above.
11. Tighten all screws securely. **Do not** over tighten.







# WARRANTY

---

## RIDGID® HAND HELD AND STATIONARY POWER TOOL LIMITED THREE YEAR WARRANTY AND 90-DAY SATISFACTION GUARANTEE POLICY

This product is manufactured under license from Ridgid, Inc. by One World Technologies, Inc. All warranty communications should be directed to One World Technologies, Inc. at (toll-free) 1-866-539-1710.

### 90-DAY SATISFACTION GUARANTEE POLICY

During the first 90 days after the date of purchase, if you are dissatisfied with the performance of this RIDGID tool for any reason you may return the tool to the dealer from which it was purchased for a full refund or exchange. To receive a replacement tool you must present proof of purchase and return all original equipment packaged with the original product. The replacement tool will be covered by the limited warranty for the balance of the three year warranty period.

### WHAT IS COVERED UNDER THE LIMITED THREE YEAR WARRANTY

This warranty covers all defects in workmanship or materials in this RIDGID tool for the three year period from the date of purchase. This warranty is specific to this tool. Warranties for other RIDGID products may vary.

### HOW TO OBTAIN SERVICE

To obtain service for this RIDGID tool, you must return it, freight prepaid, to an authorized RIDGID service center for hand held and stationary power tools. You may obtain the location of the authorized service center nearest you by calling (toll-free) 1-866-539-1710 or by logging on to the RIDGID website at [www.ridgidwoodworking.com](http://www.ridgidwoodworking.com). When requesting warranty service, you must present the proof of purchase documentation, which includes a date of purchase. The authorized service center will repair any faulty workmanship, and either repair or replace any defective part, at our option at no charge to you.

### WHAT IS NOT COVERED

This warranty applies only to the original purchaser at retail and may not be transferred. This warranty only covers defects arising under normal usage and does not cover any malfunction, failure or defect resulting from misuse, abuse, neglect, alteration, modification or repair by other than an authorized RIDGID service center for hand held and stationary power tools. One World Technologies, Inc. makes no warranties, representations or promises as to the quality or performance of its power tools other than those specifically stated in this warranty.

### ADDITIONAL LIMITATIONS

To the extent permitted by applicable law, all implied warranties, including warranties of MERCHANTABILITY or FITNESS FOR A PARTICULAR PURPOSE, are disclaimed. Any implied warranties, including warranties of merchantability or fitness for a particular purpose, that cannot be disclaimed under state law are limited to three years from the date of purchase. One World Technologies, Inc. is not responsible for direct, indirect, incidental or consequential damages. Some states do not allow limitations on how long an implied warranty lasts and/or do not allow the exclusion or limitation of incidental or consequential damages, so the above limitations may not apply to you. This warranty gives you specific legal rights, and you may also have other rights which vary from state to state.

---

**One World Technologies, Inc.**  
Hwy. 8  
Pickens, SC 29671

---

# **OPERATOR'S MANUAL**

## **Random Orbit Sander**

### **R2600**

#### **Variable Speed**



### **Customer Service Information:**

For parts or service, contact your nearest RIDGID authorized service center. Be sure to provide all relevant information when you call or visit. For the location of the authorized service center nearest you, please call 1-866-539-1710 or visit us online at [www.ridgidwoodworking.com](http://www.ridgidwoodworking.com).

The model number of this tool is found on a plate attached to the motor housing. Please record the serial number in the space provided below. When ordering repair parts, always give the following information:

**Model No.**                  R2600            
**Serial No.**

## Free Manuals Download Website

<http://myh66.com>

<http://usermanuals.us>

<http://www.somanuals.com>

<http://www.4manuals.cc>

<http://www.manual-lib.com>

<http://www.404manual.com>

<http://www.luxmanual.com>

<http://aubethermostatmanual.com>

Golf course search by state

<http://golfingnear.com>

Email search by domain

<http://emailbydomain.com>

Auto manuals search

<http://auto.somanuals.com>

TV manuals search

<http://tv.somanuals.com>