



OPERATOR'S MANUAL

Manuel de l'opérateur

Manual del operador

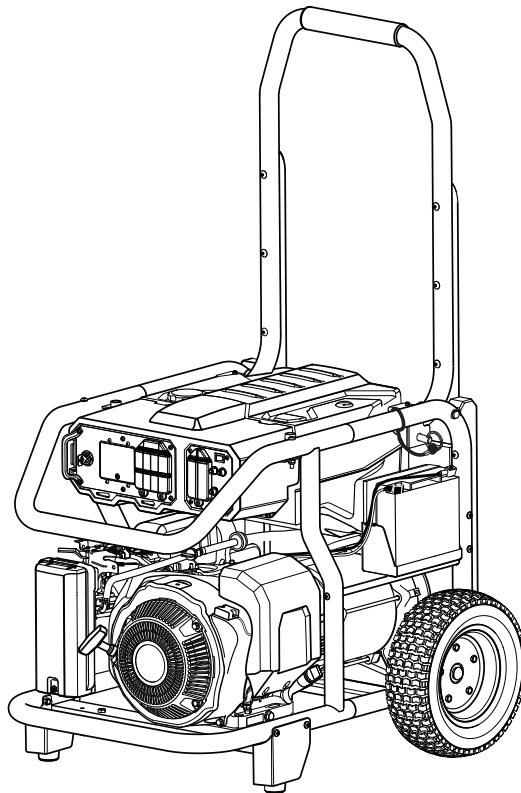
PORTABLE GENERATOR

Générateur portable

Generador portátil

RD8000 / RD80011

Series / Série / Serie



NEUTRAL BONDED TO FRAME

(CONNECTEUR NEUTRE RELIÉ AU CADRE, PUNTO NEUTRO CONECTADO AL MARCO)

To register your RIDGID product, please visit:
<http://register.RIDGID.com>

Pour enregistrer votre produit de RIDGID, s'il vous plaît la visite:
<http://register.RIDGID.com>

Para registrar su producto de RIDGID, por favor visita:
<http://register.RIDGID.com>

Your generator has been engineered and manufactured to our high standard for dependability, ease of operation, and operator safety. When properly cared for, it will give you years of rugged, trouble-free performance.

WARNING: To reduce the risk of injury, the user must read and understand the operator's manual before using this product. If you do not understand the warnings and instructions in the operator's manual, do not use this product.

SAVE THIS MANUAL FOR FUTURE REFERENCE

Ce générateur portable a été conçu et fabriqué conformément à nos strictes normes de fiabilité, simplicité d'emploi et sécurité d'utilisation. Correctement entretenu, cet outil vous donnera des années de fonctionnement robuste et sans problème.

Su generador portátil diseñado y fabricado de conformidad con nuestras estrictas normas para brindar fiabilidad, facilidad de uso y seguridad para el operador. Con el debido cuidado, le brindará muchos años de sólido funcionamiento y sin problemas.

AVERTISSEMENT :

Pour réduire les risques de blessures, l'utilisateur doit lire et veiller à bien comprendre le manuel d'utilisation avant d'employer ce produit. Si tous les avertissements et toutes les consignes de sécurité et instructions du manuel d'utilisation ne sont pas bien compris, ne pas utiliser ce produit.

ADVERTENCIA:

Para reducir el riesgo de lesiones, el usuario debe leer y comprender el manual del operador antes de usar este producto. Guarde este manual del operador y estúdielo frecuentemente para lograr un funcionamiento seguro y continuo de este producto.

CONSERVER CE MANUEL POUR
FUTURE RÉFÉRENCE

GUARDE ESTE MANUAL PARA
FUTURAS CONSULTAS

TABLE OF CONTENTS

■ Introduction	2
■ Important Safety Instructions	3-4
■ Specific Safety Rules	4
■ Symbols	5-7
■ Electrical	7-9
■ Features	10
■ Assembly	11-12
■ Operation	13-16
■ Maintenance	17-19
■ Troubleshooting	20
■ Warranty	21-23
■ Parts Ordering / Service	Back Page

INTRODUCTION

This product has many features for making its use more pleasant and enjoyable. Safety, performance, and dependability have been given top priority in the design of this product, making it easy to maintain and operate.

DANGER:

GROUNDING THE GENERATOR

To reduce the risk of shock or electrocution, generator must be properly grounded. The nut and ground terminal on the frame must always be used to connect the generator to a suitable ground source. The ground path should be made with #8 size wire. Connect the terminal of the ground wire between the lock washer and the nut, and tighten the nut fully. Connect the other end of the wire securely to a suitable ground source.

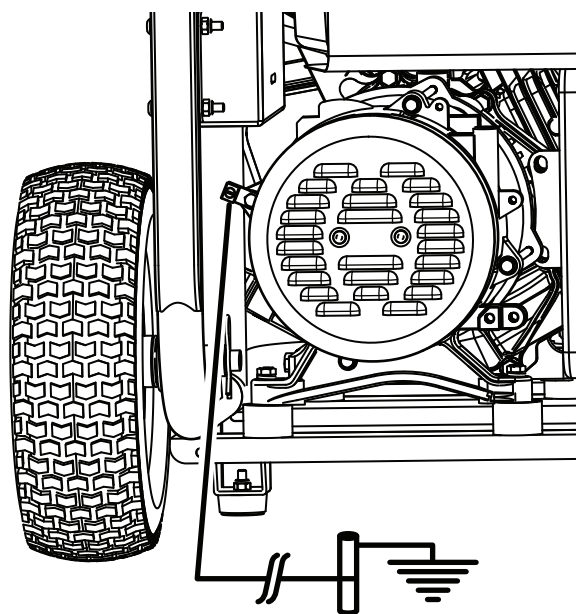
The National Electric Code contains several practical ways in which to establish a good ground source. If a steel or iron rod is used, it should be at least 5/8 in. diameter, and if a nonferrous rod is used, it should be at least 1/2 in. diameter and be listed as material for grounding. Drive the rod or pipe to a depth of 8 ft. If a rock bottom is encountered less than 4 ft. down, bury the rod or pipe in a trench.

All electrical tools and appliances operated from this generator must be properly grounded by use of a third wire or be "Double Insulated."

It is recommended to:

1. Use electrical devices with 3-prong grounded plugs.
2. Use an extension cord with a 3-pole receptacle and a 3-prong plug at opposite ends to ensure continuity of the ground protection from the generator to the appliance.

Check and adhere to all applicable federal, state, and local regulations relating to grounding specifications. Consult a qualified electrician or service personnel if the grounding instructions are not completely understood or if in doubt as to whether the generator is properly grounded.



IMPORTANT SAFETY INSTRUCTIONS



DANGER:

Carbon Monoxide. Using a generator indoors WILL KILL YOU IN MINUTES.

Generator exhaust contains high levels of carbon monoxide (CO), a poisonous gas you cannot see or smell. If you can smell the generator exhaust, you are breathing CO. But even if you cannot smell the exhaust, you could be breathing CO.

- Never use a generator inside homes, garages, crawlspaces, or other partly enclosed areas. Deadly levels of carbon monoxide can build up in these areas. Using a fan or opening windows and doors does NOT supply enough fresh air.
- ONLY use a generator outdoors and far away from open windows, doors, and vents. These openings can pull in generator exhaust.

Even when you use a generator correctly, CO may leak into the home. ALWAYS use a battery-powered or battery-backup CO alarm in the home.

If you start to feel sick, dizzy, or weak after the generator has been running, move to fresh air RIGHT AWAY. See a doctor. You could have carbon monoxide poisoning.



WARNING:

Read and understand all instructions. Failure to follow all instructions listed below may result in electrocution, fire, and/or carbon monoxide poisoning, which will cause death or serious injury.



WARNING:

National Electric Code requires generator to be grounded to an approved earth ground. Before using the ground terminal, consult a qualified electrician, electrical inspector, or local agency having jurisdiction for local codes or ordinances that apply to the intended use of the generator.

SAVE THESE INSTRUCTIONS

This manual contains important instructions for this product that should be followed during installation and maintenance of the generator and batteries.

- Do not allow children or untrained individuals to use this unit.
- Never start or run the engine inside a closed or partially enclosed area. Breathing exhaust fumes will kill you.
- Wear eye protection which is marked to comply with ANSI Z87.1 as well as hearing protection when operating this equipment.

- Keep all bystanders, children, and pets at least 10 feet away.
- Wear sturdy and dry shoes or boots. Do not operate while barefoot.
- Do not operate generator when you are tired or under the influence of drugs, alcohol, or medication.
- Keep all parts of your body away from any moving parts and all hot surfaces of the unit.
- Do not touch bare wire or receptacles.
- Do not use generator with electrical cords which are worn, frayed, bare, or otherwise damaged.
- Before storing, allow the engine to cool and drain fuel from the unit.
- Do not operate or store the generator in rain, snow, or wet weather.
- Store the generator in a well-ventilated area with the fuel tank empty. Fuel should not be stored near the generator.
- Empty fuel tank, close fuel valve, and restrain the unit from moving before transporting in a vehicle.
- Allow engine to cool for five minutes before refueling.
- To reduce the risk of fire and burn injury, handle fuel with care. It is highly flammable.
- Do not smoke while handling fuel.
- Store fuel in a container approved for gasoline.
- Position the unit on level ground, stop engine, and allow to cool before refueling.
- Loosen fuel cap slowly to release pressure and to keep fuel from escaping around the cap.
- Tighten the fuel cap securely after refueling.
- Wipe spilled fuel from the unit.
- Never attempt to burn off spilled fuel under any circumstances.
- Generators vibrate in normal use. During and after the use of the generator, inspect the generator as well as extension cords and power supply cords connected to it for damage resulting from vibration. Have damaged items repaired or replaced as necessary. Do not use plugs or cords that show signs of damage such as broken or cracked insulation or damaged blades.
- For power outages, permanently installed stationary generators are better suited for providing back-up power to the home. Even a properly connected portable generator can become overloaded. This may result in overheating or stressing the generator components, possibly leading to generator failure.
- Use only authorized replacement parts and accessories and follow instructions in the *Maintenance* section of this manual. Use of unauthorized parts or failure to follow maintenance instructions may create a risk of shock or injury.

IMPORTANT SAFETY INSTRUCTIONS

- Maintain the unit per maintenance instructions in this Operator's Manual.
- Inspect the unit before each use for loose fasteners, fuel leaks, etc. Replace damaged parts.

SPECIFIC SAFETY RULES






WARNING:

When this generator is used to supply a building wiring system: generator must be installed by a qualified electrician and connected to a transfer switch as a separately derived system in accordance with NFPA 70, National Electrical Code. The generator shall be connected through a transfer switch that switches all conductors other than the equipment grounding conductor. The frame of the generator shall be connected to an approved grounding electrode. Failure to isolate the generator from power utility can result in death or injury to electric utility workers.







-
- Exhaust contains poisonous carbon monoxide, a colorless, odorless gas. Breathing exhaust can cause loss of consciousness and can lead to death. If running in a confined or partially-enclosed area, the air may contain a dangerous amount of carbon monoxide. To keep exhaust fumes from building up, always provide adequate ventilation.
 - Always use a battery-powered carbon monoxide detector when running the generator. If you begin to feel sick, dizzy, or weak while using the generator, shut it off and get to fresh air immediately. See a doctor. You may have carbon monoxide poisoning.
 - Place the generator on a flat, stable surface with a slope of no more than 4°.
 - Operate outdoors in a well-ventilated, well-lit area isolated from working areas to avoid noise interference.
 - Operating the generator in wet conditions could result in electrocution. Keep the unit dry.
 - Keep the generator a minimum of 3 feet away from all types of combustible material.
 - Do not operate generator near hazardous material.
 - Do not operate generator at a gas or natural gas filling station.
 - Do not touch the muffler or cylinder during or immediately after use; they are HOT and will cause burn injury.
 - This generator has a neutral bonded condition. This means the neutral conductor is electrically connected to the frame of the machine.
 - Do not connect to a building's electrical system unless a transfer switch has been properly installed by a qualified electrician.
 - Do not allow the generator's gas tank to overflow when filling. Fill to 1 in. below the top neck of the gasoline tank to allow for fuel expansion. Check the ventilation hole inside the fuel tank cap for debris. Do not block the vent.
 - Do not smoke when filling the generator with gasoline.
 - Shut down the engine and allow to cool completely before adding gasoline or lubricant to the generator.
 - Do not remove the oil dipstick or the fuel tank cap when the engine is running.
 - Pay close attention to all safety labels located on the generator.
 - Keep children a minimum of 10 feet away from the generator at all times.
 - The unit operates best in temperatures between 23°F and 104°F with a relative humidity of 90% or less.
 - Specific modifications for high-altitude performance are needed if the generator will **always** be operated at altitudes above 5,000 feet. Contact your nearest authorized service center for more information and to have these modifications performed.
 - Operating voltage and frequency requirement of all electronic equipment should be checked prior to plugging them into this generator. Damage may result if the equipment is not designed to operate within a +/- 10% voltage variation, and +/- 3 hz frequency variation from the generator name plate ratings. To reduce the risk of damage, always have an additional load plugged into the generator if solid state equipment (such as a television set) is used. A power line conditioner is recommended for some solid state applications.
 - When battery pack is not in use, keep it away from other metal objects like paper clips, coins, keys, nails, screws, or other small metal objects that can make a connection from one terminal to another. Shorting the battery terminals together may cause burns or a fire.
 - Save these instructions. Refer to them frequently and use them to instruct others who may use this product. If you loan someone this product, loan them these instructions also.

SYMBOLS

The following signal words and meanings are intended to explain the levels of risk associated with this product.






SYMBOL	SIGNAL	MEANING
	DANGER:	Indicates an imminently hazardous situation, which, if not avoided, will result in death or serious injury.
	WARNING:	Indicates a potentially hazardous situation, which, if not avoided, could result in death or serious injury.
	CAUTION:	Indicates a potentially hazardous situation, which, if not avoided, may result in minor or moderate injury.
	CAUTION:	(Without Safety Alert Symbol) Indicates a situation that may result in property damage.

Some of the following symbols may be used on this product. Please study them and learn their meaning. Proper interpretation of these symbols will allow you to operate the product better and safer.

SYMBOL	NAME	DESIGNATION/EXPLANATION
	Safety Alert	Indicates a potential personal injury hazard.
V	Volts	Voltage
A	Amperes	Current
Hz	Hertz	Frequency (cycles per second)
W	Watt	Power
hrs	Hours	Time
gal	Gallon	Volume
qt	Quart	Volume
	Wet Conditions Alert	Do not expose to rain or use in damp locations.
	Read The Operator's Manual	To reduce the risk of injury, user must read and understand operator's manual before using this product.
	Eye Protection	Always wear eye protection marked to comply with ANSI Z87.1.
	Electric Shock	Failure to use in dry conditions and to observe safe practices can result in electric shock.
	Toxic Fumes	Running generator gives off carbon monoxide, an odorless, colorless, poison gas. Breathing carbon monoxide can cause nausea, fainting, or death.

SYMBOLS

Some of the following symbols may be used on this product. Please study them and learn their meaning. Proper interpretation of these symbols will allow you to operate the product better and safer.

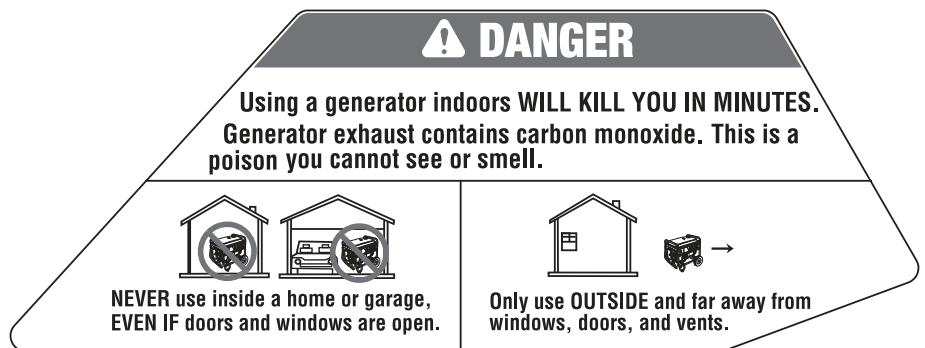
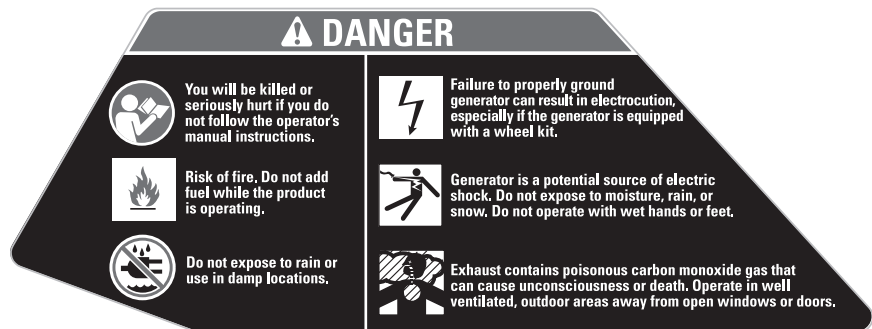
SYMBOL	NAME	DESIGNATION/EXPLANATION
	Fire/Explosion	Fuel and its vapors are extremely flammable and explosive. Fire or explosion can cause severe burns or death.
	Hot Surface	To reduce the risk of injury or damage, avoid contact with any hot surface.
	Lifting Hazard	To reduce the risk of serious injury, avoid attempting to lift the generator alone.
	Ground	Consult with local electrician to determine grounding requirements before operation.
	Electrocution	Failure to properly ground generator can result in electrocution, especially if the generator is equipped with a wheel kit.

SAFETY LABELS

The information on this page can be found on the generator. For your safety, please study and understand all of the labels before starting the generator.

If any of the labels come off the unit or become hard to read, contact an authorized service center for replacement.

- You WILL be KILLED or SERIOUSLY HURT if you do not follow the Operator's Manual instructions.
- Risk of Fire. Do not add fuel while the product is operating.
- Generator is a potential source of electric shock. Do not expose to moisture, rain, or snow. Do not operate with wet hands or feet.
- Exhaust contains poisonous carbon monoxide gas that can cause unconsciousness or DEATH. Operate in well-ventilated, outdoor areas away from open windows or doors.
- Failure to properly ground generator can result in electrocution, especially if the generator is equipped with a wheel kit.
- Do not expose to rain or use in damp locations.
- Using a generator indoors WILL KILL YOU IN MINUTES. Generator exhaust contains carbon monoxide. This is a poison you cannot see or smell.



- NEVER use inside a home or garage, EVEN IF doors and windows are open.
- Only use OUTSIDE and far away from windows, doors, and vents.

HOT SURFACE WARNING

Do not touch the muffler or aluminum cylinder of the engine. They are very HOT and will cause severe burns. Don't put any flammable or combustible materials in the direct path of the exhaust.



SYMBOLS

FUEL WARNING

No smoking when filling with gasoline. Do not overfill. Full level is 1 in. below the top of the fuel neck. Stop the engine for five minutes before refueling to avoid the heat from the muffler igniting fuel vapors.




Add lubricant to full mark to start. Engine will not start or will shut off if lubricant is too low.
 Ajouter de lubrifiant jusqu'au repère de remplissage pour démarrer. Le moteur ne démarrera pas ou s'arrêtera si le niveau de lubrifiant est bas.
 Añada lubricante hasta la marca de lleno para arrancar. El motor no arrancará o se apagará si el nivel de lubricante está demasiado bajo.

⚠ WARNING Operation of this equipment may create sparks that can start fires around dry vegetation. A spark arrestor may be required. The operator should contact local fire agencies for laws or regulations relating to fire prevention requirements.

ENGINE LUBRICANT WARNING

You must add lubricant before first operating the generator. The oil reservoir capacity is 1.1 qt. Always check the lubricant level before each operation. The lubricant level should always register between the hatched areas on the dipstick. The unit is equipped with a sensor which will automatically shut off the engine if the lubricant level falls below a safe limit.

8,000
RUNNING WATTS
 POWERED BY


⚠ WARNING ⚠ AVERTISSEMENT ⚠ ADVERTENCIA
 Product does not include ground rod or copper wire. National Electric Code requires generator to be properly grounded to an approved earth ground. Call an electrician for local grounding requirements.
 Le produit ne comprend pas de piquet de terre ou de fil en cuivre. Le code électrique américain (National Electric Code) requiert un générateur pour une bonne mise à la terre approuvée. Appeler un électricien pour connaître les exigences locales de mise à la terre.
 El producto no incluye el alambre de cobre ni la barra de conexión a tierra. Los Reglamentos Nacionales de Electricidad exigen que el generador esté debidamente conectado a una tierra aprobada. Comuníquese con un electricista para todo lo relacionado con los requisitos de conexión a tierra.

GROUNDING WARNING

National Electric Code requires generator to be grounded to an approved earth ground.

ELECTRICAL

EXTENSION CORD CABLE SIZE

Refer to the table below to ensure the cable size of the extension cords you use are capable of carrying the required load. Inadequate size cables can cause a voltage drop, which can damage the appliance and overheat the cord.

Current in Amperes	Load in Watts		Maximum Allowable Cord Length				
	At 120V	At 240V	#8 Wire	#10 Wire	#12 Wire	#14 Wire	#16 Wire
2.5	300	600		1000 ft.	600 ft.	375 ft.	250 ft.
5	600	1200		500 ft.	300 ft.	200 ft.	125 ft.
7.5	900	1800		350 ft.	200 ft.	125 ft.	100 ft.
10	1200	2400		250 ft.	150 ft.	100 ft.	50 ft.
15	1800	3600		150 ft.	100 ft.	65 ft.	
20	2400	4800	175 ft.	125 ft.	75 ft.		
25	3000	6000	150 ft.	100 ft.			
30	3600	7200	125 ft.	65 ft.			
40	4800	9600	90 ft.				

ELECTRICAL

ELECTRIC MOTOR LOADS

It is characteristic of common electric motors in normal operation to draw up to six times their running current while starting. This table may be used to estimate the watts required to start "Code G" electric motors; however, if an electric motor fails to start or reach running speed, turn off the appliance or tool immediately to avoid equipment damage. Always check the requirements of the tool or appliance being used compared to the rated output of the generator.

Motor Size (H.P.)	Running Watts	Watts Required to Start Motor		
		Repulsion Induction	Capacitor	Split Phase
1/8	275	600	850	1200
1/6	275	600	850	2050
1/4	400	850	1050	2400
1/3	450	975	1350	2700
1/2	600	1300	1800	3600
3/4	850	1900	2600	—
1	1100	2500	3300	—

EXTENSION CORD

See Figure 1.

The 25-ft. extension cord (Model RDEC25) has a 240 Volt, 20 Amp twist lock plug on one end and a 240 Volt, 20 Amp twist lock receptacle on the other end. It also has a 12 Volt DC engine control connector on each end. When using this cord, the removable control panel can provide power through the 2 x 120 Volt duplex GFCI outlets on the control box.

CAUTION:

Use only with RDEC25 accessory cord. Do not exceed separation length of 75 ft. or a combination of three RDEC25 accessory cords.

CAUTION:

Operating voltage and frequency requirement of all electronic equipment should be checked prior to plugging them into this generator. Damage may result if the equipment is not designed to operate within a +/- 10% voltage variation, and +/- 3 hz frequency variation from the generator name plate ratings. To avoid damage, always have an additional load plugged into the generator if solid state equipment (such as a television set) is used. A power line conditioner is recommended for some solid state applications.

GROUND FAULT CIRCUIT INTERRUPTER

See Figure 2.

The 20 amp, 120 volt receptacles on the generator are protected by a Ground Fault Circuit Interrupter (GFCI), which guards against the hazards of ground fault currents. An example of ground fault current is the current that would flow through a person who is using an appliance with faulty insulation and, at the same time, is in contact with an electrical ground such as a plumbing fixture, wet floor, or earth.

GFCI receptacles do not protect against short circuits, overloads, or shocks.

The GFCI receptacles can be tested with the TEST and RESET buttons.

To test:

- Depress the TEST button. This should cause the Reset button to pop out.
- To restore power, depress the RESET button.

Perform this test monthly to ensure proper operation of the GFCI. If the generator is stored outdoors, unprotected from the weather, test the GFCI receptacle before each use.

ELECTRICAL

GENERATOR CAPACITY

Make sure the generator can supply enough continuous (running) and surge (starting) watts for the items you will power at the same time. Follow these simple steps.

1. Select the items you will power at the same time.
2. Total the continuous (running) watts of these items. This is the amount of power the generator must produce to keep the items running. See the wattage reference chart at right.
3. Estimate how many surge (starting) watts you will need. Surge wattage is the short burst of power needed to start electric motor-driven tools or appliances such as a circular saw or refrigerator. Because not all motors start at the same time, total surge watts can be estimated by adding only the item(s) with the highest additional surge watts to the total rated watts from step 2.

Example:

Tool or Appliance	Estimated* Continuous (Running) Watts	Estimated* Additional Surge (Starting) Watts
Quartz Halogen Work Light	1000	0
Reciprocating Saw	960	+960
Electric Drill	600	+900
Circular Saw	1400	+2300
	3960 Total Running Watts	+2300 Highest Surge Watts

Total Continuous (Running) Watts	3960
Plus Highest Additional Surge Watts	+ 2300
Equals Total Generator Output Required	<u>6260</u>

POWER MANAGEMENT

To prolong the life of the generator and attached devices, it is important to take care when adding electrical loads to the generator. There should be nothing connected to the generator outlets before starting its engine. The correct and safe way to manage generator power is to sequentially add loads as follows:

1. With nothing connected to the generator, start the engine as described later in this manual.
2. Plug in and turn on the first load, preferably the largest load you have.
3. Permit the generator output to stabilize (engine runs smoothly and attached device operates properly).
4. Plug in and turn on the next load.
5. Again, permit the generator to stabilize.
6. Repeat steps 4 and 5 for each additional load.

Never add more loads than the generator capacity. Take special care to consider surge loads in generator capacity as previously described.

CAUTION:

Do not overload the generator's capacity. Exceeding the generator's wattage/amperage capacity can damage the generator and/or electrical devices connected to it.

Tool or Appliance	Estimated* Running Watts	Estimated* Additional Starting Watts
DIY/Job Site		
Quartz Halogen Work Light	1000	0
Airless Sprayer – 1/3 HP	600	+1200
Reciprocating Saw	960	+960
Electric Drill – 1/2 HP	600	+900
Circular Saw – 7-1/4 in.	1400	+2300
Miter Saw – 10 in.	1800	+1800
Planer/Jointer – 6 in.	1800	+1800
Table Saw/Radial Arm Saw – 10 in.	2000	+2000
Air Compressor – 1 HP	1600	+4500

*Wattages listed are approximate. Check tool or equipment for actual wattage.

FEATURES

PRODUCT SPECIFICATIONS

ENGINE

Engine Type.....	Subaru, EX40 OHC
Bore x Stroke.....	89 mm x 65 mm
Cooling System.....	Forced Air
Compression Ratio.....	8:1:1
Starting System.....	Recoil & Electric
Ignition System.....	T.C.I.
Spark Plug.....	NGK BR6HS
Engine Lubricant Volume.....	1.2 qt.
Fuel Volume.....	8 gal.

GENERATOR

Rated Voltage.....	120V/240V
Rated Amps.....	66.7 A / 33.3A
Rated Output.....	8,000 W
Maximum Output.....	10,000 W
Rated Frequency.....	60 Hz

DIMENSIONS

Length.....	31 in.
Width.....	30 in.
Height.....	27 in.
Weight.....	256 lbs.

KNOW YOUR GENERATOR

See Figure 3.

The safe use of this product requires an understanding of the information on the product and in this operator's manual as well as a knowledge of the project you are attempting. Before use of this product, familiarize yourself with all operating features and safety rules.

AC CIRCUIT BREAKER

The circuit breaker is provided to protect the generator against electrical overload. The circuit breaker may be reset by pressing the circuit breaker reset button.

AIR FILTER

The air filter helps to limit the amount of dirt and dust drawn into the unit during operation.

CHOKE LEVER

The choke lever is used when starting the engine.

ENGINE SWITCH WITH SWITCH KEY

The engine switch is used in combination with the recoil starter grip to start the generator. To turn the engine off, turn the engine switch key to "OFF".

EXTENSION CORD

The 25-ft. extension cord (Model # RDEC25) has a 120/240 Volt, 20 Amp twist lock plug and a 12 Volt DC engine control connector on each end. When using this cord with the removable control panel, appropriate equipment can be powered through the 2 x 120 Volt duplex GFCI outlets on the removable control panel.

FUEL TANK WITH FUEL GAUGE

The fuel tank with fuel gauge has a capacity of 8 gallons.

FUEL VALVE

The flow of fuel through the generator is controlled by the position of the fuel valve.

GenSmart™ MONITORING SYSTEM

The GenSmart monitoring system tracks usage and load

and alerts the operator when periodic engine maintenance is recommended.

NOTE: GenSmart™ load indicators monitor the load only for the 120 Volt, 20 Amp GFCI outlets on the removable control panel. It does not measure load on the 240 Volt, 30 Amp outlet.

GROUND TERMINAL

The ground terminal is used to assist in properly grounding the generator to help protect against electrical shock. Consult with a local electrician for grounding requirements in your area.

OFF SWITCH

To turn the engine off, press and hold the OFF switch until the engine stops.

OIL CAP/DIPSTICK

Remove the oil fill cap to check and add lubricant to the generator when necessary.

OIL DRAINAGE BOLT

When changing the engine lubricant, the oil drainage bolt is loosened to allow old engine lubricant to be drained.

RECEPTACLES

The following single phase, 60 Hz outlets on the control panel can be used for operating appropriate equipment, electrical lighting, tools, and motor loads: 2 x 120 Volt duplex GFCI 20 Amp receptacles, and one 240 Volt AC, 30 Amp receptacle. A 240 Volt AC, 20 Amp receptacle plugged into the side of the removable control panel is available when the panel is detached.

RECOIL STARTER GRIP

The recoil starter is pulled to start the machine.

REMOVABLE CONTROL PANEL

The removable control panel can be wall-mounted for use with extension cords for operation in a variety of locations.

ASSEMBLY

WARNING:

Do not attempt to operate the generator until assembly is complete. Failure to comply could result in possible serious personal injury.

LOOSE PARTS LIST

See Figure 4.

The following items are included with the generator:

Key

No.	Description	Qty.
1	Axle.....	2
2	Wheel.....	2
3	Flat Washer (5/8 in.).....	2
4	Hitch Pin.....	2
5	Screw (1/4-20 x 2 in., Hex Hd.).....	4
6	Flat Washer (1/4 in.).....	6
7	Leg with Rubber Foot.....	2
8	Nut (1/4-20 Self-Locking Nut).....	6
9	Extension Cord, 25 ft.....	1
10	Engine Lubricant.....	1
11	Screw (1/4-20 x 1 in., Hex Hd.).....	2
12	Key.....	1
	Operator's Manual (not shown).....	1

UNPACKING

This product requires assembly.

- Carefully cut the box down the sides then remove the machine and any accessories from the box. Make sure that all items listed in the packing list are included.

NOTE: This machine is heavy and requires a minimum of two people to lift. To avoid back injury, lift with your legs and not your back.

WARNING:

Do not use this product if any parts on the Loose Parts List are already assembled to your product when you unpack it. Parts on this list are not assembled to the product by the manufacturer and require customer installation. Use of a product that may have been improperly assembled could result in serious personal injury.

- Inspect the product carefully to make sure no damage occurred during shipping.
- Do not discard the packing material until you have carefully inspected and satisfactorily operated the product.
- If any parts are damaged or missing, please call 1-866-539-1710, for assistance.

WARNING:

If any parts are damaged or missing do not operate this product until the parts are replaced. Use of this product with damaged or missing parts could result in serious personal injury.

WARNING:

Do not attempt to modify this product or create accessories not recommended for use with this product. Any such alteration or modification is misuse and could result in a hazardous condition leading to possible serious personal injury.

NOTE: Do not put fuel or lubricant in the generator before installing the legs and wheels.

INSTALLING LEGS

See Figure 5.

- Locate the following items:
 - 2 legs with rubber feet
 - 6 flat washers
 - 6 lock nuts
 - 4 screws (2 in.)
 - 2 screws (1 in.)
- Raise the front end of the generator, where the engine is located, high enough to gain access to the frame bottom; securely position props underneath to support.
- Position a leg over the holes on each side of the frame support.
- Insert each 2 in. screw through a flat washer and insert the screws through the two holes in the frame and the leg.
- Fasten the screws by installing a self-locking nut over each screw on the inside of the frame. Tighten the nut securely.
- Insert a 1 in. screw through a flat washer, the hole in the frame crossbar, and then through the hole in the leg tab. Install a self-locking nut and tighten to secure.
- Repeat with remaining leg.

INSTALLING THE WHEELS

See Figure 6.

Wheels are provided to assist in moving the generator to the desired location and should be installed on the side opposite the recoil starter.

- Locate the following items:
 - 2 axles
 - 2 washers (5/8 in.)
 - 2 hitch pins
 - 2 wheels

ASSEMBLY

- Raise the handle end of the generator high enough to gain access to the frame bottom; securely position props underneath to support.
- Insert an axle through the center of the wheel.
- Place a washer on the axle, then slide the axle through the bracket on the frame.
- Slide the hitch pin through the hole in the axle and make sure it is secure.
- Repeat the process on the other side to install second wheel.

CONNECTING BATTERY

See Figure 7.

The battery cables must be connected before the electric start feature of the generator can be operated.

- Connect the red wire to the positive (+) terminal first, then connect the black wire to the negative (-) terminal using the bolts, nuts, and washers provided. Make sure all connections are tight.

NOTE: Be careful not to short across the terminals when installing. Shorting the terminals together can cause sparks, damage to the battery or generator, or even burns or explosions.

- Cover the terminals with the rubber covers.

When removing the battery for replacement: remove the nut and bolt first from the negative (black) post, then from the positive (red) post, being careful not to short across the terminals. Always abide by the safety warnings provided with the battery. Remove the battery and dispose of according to local and state regulations.



WARNING:

To reduce the risk of electrocution or explosion, do not short circuit the battery terminals or charge in a sealed container. Keep sparks and flame away.



WARNING:

Keep metal objects away from the battery terminals. Metal objects can make a connection from one terminal to another. Shorting the battery terminals together may cause sparks, burns, or a fire.

REMOVABLE CONTROL PANEL

See Figure 8.

To detach the removable control panel from the generator:

- Turn off the generator.
- Loosen the latch on the removable control panel and pull the control panel forward.
- Disconnect the twist-lock plug and the 12V engine control connector on the back of the control panel.

INSTALLING A WALL MOUNT FOR THE REMOVABLE CONTROL PANEL

See Figure 9 - 10

The removable control panel can be removed from the generator and wall-mounted in another location before re-connecting it to the generator.

To wall-mount the removable control box:

- Screws or nails for hanging the box should be spaced 4-1/4 in. from center to center.
- Mark the 4-1/4 in. measurement on a wall stud or other sturdy wood surface.
- Drill holes and insert the screws; tighten the screws securely into the wood. If using nails, the nail head should be large enough to hold the control panel securely.

NOTE: There should be at least 5/8 in. of the screw or nails protruding from the wood piece for hanging the box.

- Hang the box on the screws or nails, making certain it is secure.

OPERATION



DANGER:

Carbon Monoxide. Using a generator indoors WILL KILL YOU IN MINUTES. Generator exhaust contains high levels of carbon monoxide (CO), a poisonous gas you cannot see or smell. If you can smell the generator exhaust, you are breathing CO. But even if you cannot smell the exhaust, you could be breathing CO.

- Never use a generator inside homes, garages, crawl-spaces, or other partly enclosed areas. Deadly levels of carbon monoxide can build up in these areas. Using a fan or opening windows and doors does NOT supply enough fresh air.
- ONLY use a generator outdoors and far away from open windows, doors, and vents. These openings can pull in generator exhaust.

Even when you use a generator correctly, CO may leak into the home. ALWAYS use a battery-powered or battery-backup CO alarm in the home.

If you start to feel sick, dizzy, or weak after the generator has been running, move to fresh air RIGHT AWAY. See a doctor. You could have carbon monoxide poisoning.



DANGER:

Failure to properly ground generator can result in electrocution, especially if the generator is equipped with a wheel kit. National Electric Code requires generator to be properly grounded to an approved earth ground. Call an electrician for local grounding requirements.



WARNING:

Do not allow familiarity with this product to make you careless. Remember that a careless fraction of a second is sufficient to inflict serious injury.



WARNING:

Do not use any attachments or accessories not recommended by the manufacturer of this product. The use of attachments or accessories not recommended can result in serious personal injury.

APPLICATIONS

This generator is designed to supply electrical power for operating compatible electrical lighting, appliances, tools, and motor loads.

BEFORE OPERATING THE UNIT

- Only use OUTSIDE and far away from windows, doors, and vents.
 - NEVER use inside a home or garage, EVEN IF doors and windows are open.
 - Always position the generator on a flat firm surface.
-

CAUTION:

Attempting to start the engine before it has been properly filled with lubricant will result in equipment failure.

RAISING AND LOWERING THE HANDLE

See Figure 11.

- To raise the handle (for moving the generator): pull the handle up until the handle knob snaps through the locking hole to secure the handle in place.
- To lower the handle (for storing the generator): remove the handle lock pin, then pull the release knob out and lower the handle to the down position.

Never use the handle to lift the generator. The handle should only be used for transporting the unit.

CHECKING/ADDING LUBRICANT

See Figure 12.

Engine lubricant has a major influence on engine performance and service life. For general, all-temperature use, SAE 10W-30 is recommended. Always use a 4-stroke motor lubricant that meets or exceeds the requirements for API service classification SJ.

This engine comes with a feature that will shut off the engine when a specific oil level is not maintained. The engine will not restart until an appropriate oil level is reached.

NOTE: Non-detergent or 2-stroke engine lubricants will damage the engine and should not be used.

- Unscrew the oil cap/dipstick and remove.
- Wipe dipstick clean and insert in hole. Do not rethread.
- Remove dipstick again and check lubricant level. Lubricant level should fall between the hatched areas on the dipstick.
- If level is low, add engine lubricant until the fluid level rises to the upper portion of the dipstick.
- Replace and secure the oil cap/dipstick.

OPERATION

CHECKING/ADDING FUEL

See Figure 13.

- Remove the fuel cap.
- Fill the fuel tank to 1 in. below the top of the fuel neck.
- Replace and secure the fuel cap.

NOTE: Always use unleaded gasoline with a pump octane rating of 86 or higher. Never use old, stale, or contaminated gasoline, and do not use an oil/gas mixture. Do not allow dirt or water into the fuel tank. **Do not use E85 fuel.**

USING FUEL STABILIZER

Fuel gets old, oxidizes, and breaks down over time. Adding a fuel stabilizer (not included) extends the usable life of fuel and helps prevent deposits from forming that can clog the fuel system. Follow fuel stabilizer manufacturer's directions for correct ratio of stabilizer to fuel.

- Add stabilizer to fuel tank, then fill with gasoline following previous instructions.

NOTE: Fuel stabilizer and gasoline can be mixed prior to filling the tank by using a gas can or other approved fuel container and shaking gently to combine.

- Replace and secure the fuel tank cap.
- Start and run the engine for at least 5 minutes to allow stabilizer to treat the entire fuel system.

OXYGENATED FUELS

Some conventional gasolines are blended with alcohol or an ether compound. These gasolines are collectively referred to as oxygenated fuels. To meet clean air standards, some areas of the United States and Canada use oxygenated fuels to help reduce emissions.

If using an oxygenated fuel, make sure it is unleaded and meets the minimum octane rating requirements. Before using an oxygenated fuel, try to confirm the fuel's contents. Some states/provinces require this information to be posted on the pump. The following are the EPA approved percentages of oxygenates:

Ethanol (ethyl or grain alcohol) 10% by volume. You may use gasoline containing up to 10% ethanol by volume. Gasoline containing ethanol may be marketed under the name "Gasohol." **Do not use E85 fuel.**

MTBE (methyl tertiary butyl ether) 15% by volume. You may use gasoline containing up to 15% MTBE by volume.

Methanol (methyl or wood alcohol) 5% by volume. You may use gasoline containing up to 5% methanol by volume as long as it also contains cosolvents and corrosion inhibitors to protect the fuel system. Gasoline containing more than 5% methanol by volume may cause starting and/or performance problems. It may also damage metal, rubber, and plastic parts of the generator or your fuel system.

If you notice any undesirable operating symptoms, try another service station or switch to another brand of gasoline.

NOTE: Fuel system damage or performance problems

resulting from the use of an oxygenated fuel containing more than the percentages of oxygenates stated previously are not covered under warranty.

CAUTION:

On a level surface with the engine off, check the lubricant level before each use of the generator.

REMOVABLE CONTROL PANEL

See Figure 14.

The removable control panel can be wall-mounted and connected to the generator with the 25-ft. power cord (Model # RDEC25) provided with the product.

The generator can be turned on or off from the removable control panel or using the off switch key on the unit.

NOTE: The off switch is an on/momentary off switch. You must push the switch and hold it in until the engine has fully stopped.

The removable control panel has two 120V duplex GFCI power outlets with outlet covers. Each duplex outlet has a Test and a Reset push button.

NOTE: The GFCI outlets may be shown without their covers for clearer instruction of this feature's operation.

Use only with RDEC25 accessory cord. Do not exceed separation length of 75 ft. or a combination of three RDEC25 accessory cords.

GENSMART™ DIGITAL DISPLAY

See Figure 15.

The GenSmart™ monitoring system has the following features:

Load Indicator

Measures the wattage output of the 2 x 120 Volt duplex GFCI outlets located on the removable control panel. GenSmart™ monitors the load only for the 120 Volt GFCI outlets on the removable control panel. It does not measure load on the 240 Volt, 30 Amp outlet. The GenSmart™ indicator measures up to 4,800 watts of the generator's rated wattage.

NOTE: If the 240 Volt receptacle is in use, the load indicated on the display will not accurately reflect the exact percentage of load being drawn from the generator.

Hour Meter

The digital hour meter operates whenever the engine is running and keeps track of how many hours the unit has been used. Use this meter along with the accompanying engine manual to determine when and what type of service on the unit is needed.

Maintenance Warning System

At every 100 hours of use, the GenSmart™ monitoring system will display a message informing the operator to service the engine's air filter, spark plug, and engine oil. To reset this message, push and hold the reset button located underneath the GenSmart™ display for 5 seconds.

OPERATION

Reading GenSmart™ Monitoring System

At startup, the unit will display a message instructing the operator to read and understand the operator's manual before using this product.

While the generator is running, the panel will display a power bar, load percentage, and total hours the unit has been operated.

At every 100 hours of use, a message will scroll across the display telling the operator to service the air filter, engine oil and spark plugs, and to push and hold the reset button for 5 seconds to reset the display.

NOTE: Be careful to only press and hold the reset button when you want the maintenance panel to be reset.

GENERATOR CONTROL PANEL

The stationary control panel has a twist-lock 240 Volt, 30 Amp outlet and circuit breakers.

OPERATING THE GENERATOR USING THE WALL MOUNTED REMOVABLE CONTROL PANEL

See Figure 16.

If the panel has been installed in a remote location:

- Turn off the generator.
- Connect the generator to the removable control panel using the twist-lock plug and the 12 Volt DC engine control connector on the provided power cord.
- ONLY use a generator outdoors and far away from open windows, doors, and vents. These openings can pull in generator exhaust.
- Connect up to two additional 25 ft. extension cords to the provided 25 ft. power cord. The total length of all connected power cords should not exceed 75 ft. or three (3) RDEC25 extension cords.
- Connect the extension cord to the generator.
- Start the engine as described in **Starting the Engine**.
- Add devices to the generator and monitor the load of each added device using the GenSmart™ display panel.

MOVING THE GENERATOR

See Figure 17.

- Turn the off switch OFF (O). Disconnect any equipment that is plugged into the generator.
- Turn the fuel valve to the OFF position.
- Allow 30 minutes of "cool down" time before storing the machine.
- For security, insert the pin to secure the handle before transporting.
- With your foot on the rear of the frame, tilt the machine toward you until it balances on the wheels, then roll the machine to the desired location.

LIFTING THE GENERATOR

See Figure 18.

- Fold the handle to the down position. Never lift or carry this product using the handle.

NOTE: This tool is heavy and requires several people to lift. To avoid back injury, keep your knees bent and lift with your legs, not your back, and get help when needed.

ELECTRIC START

See Figure 19.

This generator model is provided with both electric start and recoil start capabilities. Avoid prolonged cranking, as it can damage the engine.

The battery provided is a nominal 12 volt sealed rechargeable lead-acid battery and can be operated in any position without leakage. It complies with non-spillable battery regulations. Its convenient size offers a 30% reduction over conventional batteries.

NOTE: New generators are shipped with the battery connections disconnected. The positive and negative terminals must be connected to the battery before the Electric Start feature will work.

For initial battery connection, see **Connecting Battery**.

CAUTION:

On a level surface with the engine off, check the lubricant level before each use of the generator.

OPERATION

STARTING THE ENGINE

See Figure 20.

NOTE: If location of generator is not level, the unit may not start or may shut down during operation.

- Unplug all loads from the generator.
- Turn the fuel valve to the ON position.
- Move the choke lever right to the START position.
NOTE: If engine is warm or the temperature is above 50°F, move the choke lever left to the RUN position.

- Turn the engine switch key to “ON.”
- Turn the engine switch key to “START” or pull the recoil starting grip until the engine runs (a maximum of 6 times).

NOTE: Do not allow the grip to snap back after starting; return it gently to its original place.

NOTE: The battery is shipped in a low charge condition and may require charging before the generator can be started using only the switch key. The generator can be started by pulling the recoil starter. Once the generator is started, the battery will charge as the unit runs.

- Allow the engine to run for 30 seconds, then move the choke lever left to the RUN position.

STOPPING THE ENGINE

See Figure 20.

To stop the engine under normal operating conditions:

- Remove any load from the generator.
- Turn the switch key to “OFF” or press and hold the off switch until the engine stops.

NOTE: The generator can be stopped by turning the switch key to off or by pressing and holding the off switch on the fixed control panel.

- Turn the fuel valve to the OFF position.

NOTE: If it is necessary to shut the engine off immediately, either engine switch may be used if the removable control panel is connected to the unit. The off switch on the stationary control panel can be used as the primary engine OFF switch.

MAINTENANCE

WARNING:

When servicing, use only identical RIDGID replacement parts. Use of any other parts may create a hazard or cause product damage.

Only the parts shown on the parts list are intended to be repaired or replaced by the customer. All other parts should be replaced at an authorized service center.

GENERAL MAINTENANCE

Keep the generator in a clean and dry environment where it is not exposed to dust, dirt, moisture, or corrosive vapors. Do not allow the cooling air slots in the generator to become clogged with foreign material such as leaves, etc.

Do not use a garden hose to clean the generator. Water entering the fuel system or other internal parts of the unit can cause problems that will decrease the life of the generator.

To clean the unit:

- Use a soft bristle brush and/or vacuum cleaner to loosen and remove dirt and debris.
- Clean air vents with low pressure air that does not exceed 25 psi.
- Wipe the exterior surfaces of the generator with a damp cloth.

CHANGING FUSE

See Figure 21.

- Remove screw from side cover.
- Lift up and remove side cover.
- Unscrew the fuse holder to reveal the fuse and spring.
- Insert new fuse into hole and retighten fuse holder securely.

NOTE: If spring came out of fuse holder when it was opened, it should also be replaced inside the fuse holder before securing.

- Reinstall side cover.
- Reinstall screw and tighten securely.

CHECKING/CLEANING AIR FILTER

See Figure 22.

For proper performance and long life, keep air filter clean.

- Release latches on left side of air filter cover. Remove cover and set aside.
- Remove the filter element.
- If the filter element is dirty, clean with warm, soapy water. Rinse and let dry.

- Apply a light coat of engine lubricant to the element, then squeeze it out.
- Replace the element in the air filter unit.
- Replace the air filter cover and latch to secure.

NOTE: Do not run the generator without the air filter. Rapid engine wear will result.

CHANGING ENGINE LUBRICANT

See Figure 23.

- Remove the oil cap/dipstick.
- Place a container underneath the oil drainage bolt to collect used lubricant as it drains.
- Unscrew the oil drainage bolt and remove.
- Allow lubricant to drain completely.
- Reinstall the oil drainage bolt and tighten securely.
- Refill with lubricant following the instructions in the **Checking/Adding Lubricant** section.
- Reinstall the oil cap/dipstick.

NOTE: Used lubricant should be disposed of at an approved disposal site. See your local oil retailer for more information.

SPARK PLUG MAINTENANCE

See Figure 24.

The spark plug must be properly gapped and free of deposits in order to ensure proper engine operation. To check:

- Remove the spark plug cap.
- Clean any dirt from around base of spark plug.
- Remove spark plug using wrench (not included).
- Inspect spark plug for damage, and clean with a wire brush before reinstalling. If insulator is cracked or chipped, spark plug should be replaced.

NOTE: If replacing, use the following recommended spark plugs or equivalent: NGK BPR4ES.

- Measure plug gap. The correct gap is 0.028–0.031 in. (0.7–0.8 mm). To widen gap, if necessary, carefully bend the ground (top) electrode. To lessen gap, gently tap ground electrode on a hard surface.
- Seat spark plug in position; thread in by hand to prevent cross-threading.
- Tighten with wrench to compress washer. If spark plug is new, use 1/2 turn to compress washer appropriate amount. If reusing old spark plug, use 1/8 to 1/4 turn for proper washer compression.

NOTE: An improperly tightened spark plug will become very hot and could damage the engine.

MAINTENANCE

CLEANING THE EXHAUST PORT AND MUFFLER

Depending on the type of fuel used, the type and amount of lubricant used, and/or your operating conditions, the exhaust port and muffler may become blocked with carbon deposits. If you notice a power loss with your gas-powered products, you may need to remove these deposits to restore performance. We highly recommend that only qualified service technicians perform this service.

SPARK ARRESTOR

See Figure 25.

- Inspect the spark arrestor for breaks or holes. Replace if necessary. To purchase a replacement spark arrestor contact RIDGID customer service at 1-866-539-1710.
- Use a brush to remove carbon deposits from the spark arrestor screen as needed.

DRAINING FUEL TANK/CARBURETOR

See Figures 26 - 27.

To help prevent gum deposits in the fuel system, drain the fuel from the tank and carburetor before storing.

DRAINING THE FUEL TANK

- Turn the engine switch key to "OFF" or press and hold the off switch until the engine stops.
- Turn the fuel valve to the OFF position.
- Remove the fuel line from the petcock by squeezing the ends of the retaining clip and sliding the fuel line off.
- Install one end of a drain line over the petcock, and place the other end in a fuel container large enough to catch the fuel being drained from the tank.

- Turn the fuel valve to the ON position.
- For better fuel drainage, please tilt the unit toward the fuel petcock slightly (approximately 1 in.).
- When the fuel has drained from the tank, close the fuel valve and reinstall fuel line securely on petcock.

DRAINING THE CARBURETOR

- Turn the engine switch key OFF or press and hold OFF switch in the OFF position for three (3) seconds or until the engine stops.
- Turn the fuel valve to the OFF position.
- Position a suitable container under the carburetor drain screw to catch fuel; loosen the screw.
- Allow fuel to drain completely into container.
- Retighten drain screw.

NOTE: Consult hazardous waste management guidelines in your area for the proper way to dispose of used fuel.

TRANSPORTING

See Figure 28.

- Turn the engine switch key switch OFF.
- Turn the fuel valve to the OFF position.
- Make sure engine and exhaust of unit is cool.
- For security, insert the pin to secure the handle before transporting.
- Keep unit level while transporting to prevent fuel spillage.
- Do not drop or strike unit or place under heavy objects.

MAINTENANCE

STORAGE

When preparing the generator for storage, allow the unit to cool completely then follow the guidelines below.

STORAGE TIME	PRIOR TO STORING
Less than 2 months	<ul style="list-style-type: none"> ■ Drain gasoline from tank and dispose of in a suitable container according to state and local ordinances.
2 months to 1 year	<ul style="list-style-type: none"> ■ Drain fuel from carburetor. ■ Drain gasoline from tank and dispose of in a suitable container according to state and local ordinances.
1 year or more	<ul style="list-style-type: none"> ■ Drain fuel from the carburetor. ■ Remove spark plug. ■ Drain gasoline from tank and dispose of in a suitable container according to state and local ordinances. ■ Put a tablespoon of engine oil into the spark plug cylinder. Turn the engine slowly with the pull rope to distribute the oil. ■ Reinstall spark plug. ■ Change engine lubricant. <p>After removal from storage:</p> <ul style="list-style-type: none"> ■ Fill with fresh gasoline.

MAINTENANCE SCHEDULE

	Before each use	After 1st month or 20 hours of operation	Every 3 months or 50 hours of operation	Every 6 months or 100 hours of operation	Every year or after 300 hours of operation
Check Engine Lubricant	■				
Change Engine Lubricant		■		■	
Check Air Filter	■				
Clean Air Filter**			■		
Change Air Filter**					■
Check/Adjust Spark Plug				■	
Replace Spark Plug					■
Check/Adjust Idle Speed					■
Check/Adjust Valve Clearance*					■
Clean Fuel Tank and Filter*				■	
Check Fuel Tube					■

* These items should only be carried out by an authorized service center.

** See engine manual for maintenance schedule for this item.

NOTE: Maintenance should be performed more frequently when generator is used in dusty areas.

When generator has exceeded the maximum figures specified in the table, maintenance should still be cycled according to the intervals of time or hours stated herein.

TROUBLESHOOTING

PROBLEM	POSSIBLE CAUSE	SOLUTION
Engine will not start.	<p>The engine switch key is on OFF.</p> <p>No fuel.</p> <p>Lubricant level is low.</p> <p>Fuel valve is OFF.</p> <p>Spark plug faulty, fouled, or improperly gapped.</p> <p>Choke lever is in RUN position.</p> <p>Engine stored without treating or draining gasoline, or refueled with bad gasoline.</p> <p>Dirty fuel filter.</p>	<p>Turn the engine switch key to ON.</p> <p>Fill fuel tank.</p> <p>Check engine lubricant level and fill, if necessary.</p> <p>Turn fuel valve ON.</p> <p>Replace spark plug.</p> <p>Move choke lever to START position.</p> <p>Drain fuel and carburetor. Refuel with fresh gasoline.</p> <p>Contact authorized service center.</p>
Engine hard to start	<p>Water in gasoline.</p> <p>Weak spark at spark plug.</p>	<p>Drain entire system and refill with fresh fuel.</p> <p>Contact authorized service center.</p>
Engine lacks power.	<p>Dirty air filter.</p> <p>Engine stored without treating or draining gasoline, or refueled with bad gasoline.</p> <p>Dirty air filter.</p>	<p>Check air filter element. Clean or replace as needed.</p> <p>Drain fuel and carburetor. Refuel with fresh gasoline. If problem continues, contact your nearest authorized service center.</p> <p>Clean or replace as needed.</p>
AC receptacle does not work.	<p>Circuit breaker is OFF.</p> <p>Item plugged in is defective.</p>	<p>Turn ON the AC circuit breaker.</p> <p>Reset the GFCI.</p> <p>Try a different item.</p>
Generator makes a “spark knock” or “pinging” noise.	<p>An occasional light “knocking” or “pinging” under heavy load is not a cause for concern. However, if the knocking or pinging occurs under normal load at a steady engine speed, the problem may be with the brand of gasoline being used.</p>	<p>Switch to a different brand of gasoline, making sure that the octane rating is 86 or higher. If problem continues, contact your nearest authorized service center.</p>
<p>If problem persists after trying the above solutions, contact your nearest authorized service center for assistance.</p>		
<p>The following symptoms may indicate problems that will affect the emissions level of the unit:</p> <ul style="list-style-type: none"> ■ Hard starting or stalling after starting ■ Rough idle ■ Misfiring or backfiring under load ■ Afterburning (backfiring) ■ Black exhaust smoke or high fuel consumption <p>If you encounter any of these symptoms, have the unit inspected and repaired by the nearest authorized service center.</p>		

WARRANTY

RIDGID® GENERATOR 3 YEAR LIMITED WARRANTY

Proof of purchase must be presented when requesting warranty service.

This product is manufactured by One World Technologies, Inc. The trademark is licensed from RIDGID, Inc. All warranty communications should be directed to One World Technologies, Inc., attn: Generator Technical Service at (toll free) 1-866-539-1710.

WHAT IS COVERED UNDER THE 3 YEAR LIMITED WARRANTY

This RIDGID® generator is warranted to the original purchaser only to be free from defects in material and workmanship subject to certain exceptions and limitations stated below, for a period of three (3) years after date of purchase.

Warranties for other RIDGID® products may vary.

WHAT IS NOT COVERED

This warranty does not apply to damage from misuse, alterations, abuse, normal wear and tear, lack of maintenance, accidents, or repairs made or attempted by anyone other than an authorized service center for RIDGID® generators.

This warranty does not cover repair if:

- normal use has exhausted the useful life of the generator and wear and tear items (including batteries, fixed and removable control panels including corresponding cords and plugs, digital displays, tires, outlet plugs and circuit breakers, switches, and extension cords if applicable)
- the customer fails to install, maintain, and operate the product in accordance with the instructions and recommendations of the company set forth in the generator operator's manual
- the product is used as rental equipment
- damage occurs due to freezing, water exposure, rust, corrosion, thermal expansion, fire, dropping, or improper use.

This warranty does not cover freight or labor charges associated with the inspection and testing of generators which are found not to be a valid warranty claim.

Gasoline Engine - Warranty: The gasoline engine on this generator is separately warranted by the engine manufacturer and is serviced through the engine manufacturer's authorized service center network. Ridgid, Inc., and One World Technologies, Inc., disclaim any and all express or implied warranties with respect to the gasoline engine.

RIDGID, INC. AND ONE WORLD TECHNOLOGIES, INC., MAKE NO WARRANTIES, REPRESENTATIONS OR PROMISES AS TO THE QUALITY OR PERFORMANCE OF THIS GENERATOR OTHER THAN THOSE SPECIFICALLY STATED IN THIS WARRANTY.

HOW TO OBTAIN SERVICE

To obtain service for this RIDGID® generator you must return it, freight prepaid, or take it in to a manufacturer-authorized service center for RIDGID® generators. You may obtain the location of the authorized service center nearest you by calling **(toll free) 1-866-539-1710** or by logging on to the RIDGID® website at **www.ridgid.com**. When requesting warranty service, you must present the original dated sales receipt. The authorized service center will repair any faulty workmanship, and either repair or replace any part covered under the warranty, at our option, at no charge to you.

ADDITIONAL LIMITATIONS

To the extent permitted by applicable law, all implied warranties, including warranties of MERCHANTABILITY or FITNESS FOR A PARTICULAR PURPOSE, are disclaimed. Any implied warranties, including warranties of merchantability or fitness for a particular purpose, that cannot be disclaimed under state law are limited to three years from the date of purchase. One World Technologies, Inc., and RIDGID®, Inc., are not responsible for direct, indirect, incidental, or consequential damages. Some states do not allow limitations on how long an implied warranty lasts and/or do not allow the exclusion or limitation of incidental or consequential damages, so the above limitations may not apply to you. This warranty gives you specific legal rights, and you may also have other rights which vary from state to state.

This warranty applies to product sold in the U.S.A., Canada, and Mexico only.

Please consult RIDGID's website at **www.ridgid.com** or call **(toll free) 1-866-539-1710** to locate your nearest manufacturer-authorized RIDGID® generator service facility for warranty and non-warranty service on this RIDGID® generator.

One World Technologies, Inc.

P.O. Box 321, Highway 8

Pickens, SC 219671

WARRANTY

LIMITED 3 YEAR ENGINE WARRANTY

Limited Manufacturer's Warranty from Subaru Robin

(Effective with engines purchased from Robin America, Wood Dale, IL, after April 1, 2008)

Robin America, Inc., a division of Fuji Heavy Industries, Ltd. (herein "Subaru Robin"), warrants that each new engine sold by it will be free, under normal use and service, from defects in material and workmanship for a period listed below from the date of sale to the original retail purchaser. Subaru Robin's obligation under this Limited Warranty shall be limited to the repair and replacement, at Subaru Robin's option, of any part or parts which upon examination is/are found, in Subaru Robin's judgment, to have been defective in material or workmanship. It shall be a condition of Subaru Robin's obligation under this Limited Warranty that Subaru Robin, directly or through one of its Distributors or Service Centers authorized to service the particular engine involved, receive prompt notice of any warranty claim and that the engine or the part or parts claimed to be defective be promptly delivered, transportation prepaid, to such Distributor or Service Center for inspection and repair. All repairs qualifying under this Limited Warranty must be performed by Subaru Robin or one of its authorized Distributors or Service Centers.

WARRANTY PERIODS:

Subaru Robin Four-Cycle, Air-cooled, Gasoline Engines - Limited 3 YEAR Warranty (EX / EH and SP Series 4.3hp or greater)

The repair or replacement of any part or parts under this Limited Warranty shall not extend the term of the engine warranty beyond the original term as set forth above.

LIMITATIONS AND EXCLUSIONS: This Limited Warranty shall not apply to:

- Bent or broken crankshaft or resultant damage caused by vibration related to a bent or broken crankshaft. Also, damage caused by loose engine mounting bolts or improper or imbalanced accessories or blades mounted to the crankshaft.
- Repairs required because of prolonged storage including damage caused by old or contaminated fuel in the fuel tank, fuel lines or carburetor, sticky valves or corrosion and rust of engine parts.
- Repair required due to overheating. (Most often caused by overloaded or clogged or damaged or missing flywheel, fan, inlet air passages, cooling fins or air shrouds).
- Dirt or grit related wear caused by improper air cleaner maintenance (most often resulting in worn piston, piston rings, cylinders, valves, valve guides, carburetor or other internal components).
- Broken or scored parts caused by low lubricant level, dirty or improper grade of lubricant.
- Engine tune-ups and normal maintenance service including, but not limited to, valve adjustment, normal replacement of service items, fuel and lubricant, etc.
- Any engine which has been subject to negligence, misuse, accident, mis-application or over-speeding.
- Any engine that has been installed, repaired, or altered by anyone in a manner which in Subaru Robin's sole judgment adversely affects its performance or reliability.
- Any engine which has been fitted with or repaired with parts or components not manufactured or approved by Subaru Robin which in Subaru Robin's sole judgment adversely affects its performance or reliability.
- Instances when normal use has exhausted the life of a component or an engine.

The customer is responsible for all transportation charges in connection with any warranty work.

Subaru Robin reserves the right to modify, alter or improve any engines or parts without incurring any obligation to modify or replace, any engine or parts previously sold without such modification, alternation or improvement.

No person is authorized to give any other warranty or to assume any additional obligation on Subaru Robin's behalf unless made in writing and signed by an officer of Subaru Robin.

Some states do not allow limitations on how long an implied warranty lasts or the exclusion or limitation of incidental or consequential damages, so the above limitation(s) or exclusion(s) may not apply to you. This warranty gives you specific legal rights and you may also have other legal rights which vary from state to state.

THIS WARRANTY, AND SUBARU ROBIN'S OBLIGATION HERE UNDER, ARE IN LIEU OF ANY OTHER WARRANTIES OR OBLIGATIONS OF ANY KIND, EXPRESSED OR IMPLIED, INCLUDING ANY WARRANTIES OF MERCHANTABILITY OR FITNESS FOR A PARTICULAR PURPOSE. THERE ARE NO WARRANTIES WHICH EXTEND BEYOND THE DESCRIPTION ON THE FACE HERE-OF. SUBARU ROBIN SHALL IN NO EVENT BE LIABLE FOR ANY CONSEQUENTIAL OR INCIDENTAL DAMAGES.

WARRANTY

THE FOLLOWING CALIFORNIA AIR RESOURCES BOARD (CARB) STATEMENT ONLY APPLIES TO MODEL NUMBERS REQUIRED TO MEET THE CARB REQUIREMENTS.

EVAPORATIVE EMISSION CONTROL WARRANTY

Your new RIDGID brand gasoline-powered product complies with all applicable U.S. EPA, Environment Canada, and State of California emissions regulations.

The evaporative emissions portion of this coverage, as described below, is provided by One World Technologies, Inc. Separate emissions warranty coverage for other emissions-related components is provided by the engine manufacturer, as stated in a separate "Emission Control System Warranty" included with this product. Of course, this product also includes a warranty that is not limited to emissions-related components, as described elsewhere in this operator's manual.

EVAPORATIVE EMISSION CONTROL WARRANTY STATEMENT

CALIFORNIA EVAPORATIVE EMISSION CONTROL WARRANTY STATEMENT

YOUR WARRANTY RIGHTS AND OBLIGATIONS

The California Air Resources Board and One World Technologies, Inc., are pleased to explain the evaporative emission control system's warranty on your 2009 model year generator. In California, new equipment that uses small off-engines must be designed, built, and equipped to meet the State's stringent anti-smog standards. One World Technologies, Inc., must warrant the evaporative emission control system on your generator for the period listed below, provided there has been no abuse, neglect or improper maintenance of your equipment.

Your evaporative emission control system may include parts such as: carburetors, fuel tanks, fuel lines, fuel caps, valves, canisters, filters, vapor hoses, clamps, connectors, and other associated components. For engines less than or equal to 80 cc, only the fuel tank is subject to the evaporative emission control warranty requirements of this section.

MANUFACTURER'S WARRANTY COVERAGE:

This evaporative emission control system is warranted for two years. If any evaporative emission-related part on your equipment is defective, the part will be repaired or replaced by One World Technologies, Inc.

OWNER'S WARRANTY RESPONSIBILITIES:

- As the generator owner, you are responsible for performance of the required maintenance listed in your operator's manual. One World Technologies, Inc., recommends that you retain all receipts covering maintenance on your generator, but One World Technologies, Inc., cannot deny warranty solely for the lack of receipts.
- As the generator owner, you should, however, be aware that One World Technologies, Inc., may deny you warranty coverage if your generator or a part has failed due to abuse, neglect, or improper maintenance or unapproved modifications.
- You are responsible for presenting your generator to a One World Technologies, Inc., distribution center or service center as soon as the problem exists. The warranty repairs should be completed in a reasonable amount of time, not to exceed 30 days.

If you have a question regarding your warranty coverage, you should contact One World Technologies, Inc., at 1-866-539-1710.

DEFECTS WARRANTY REQUIREMENTS:

- (a) The warranty period begins on the date the equipment is delivered to an ultimate purchaser.
- (b) General Evaporative Emissions Warranty Coverage. The equipment must be warranted to the ultimate purchaser and any subsequent owner that the evaporative emission control system when installed was:
 - (1) Designed, built, and equipped so as to conform with all applicable regulations; and
 - (2) Free from defects in materials and workmanship that cause the failure of a warranted part for a period of two years.
- (c) The warranty on evaporative emissions-related parts will be interpreted as follows:

- (1) Any warranted part that is not scheduled for replacement as required maintenance in the written instructions must be warranted for the warranty period defined in subsection (b)(2). If any such part fails during the period of warranty coverage, it must be repaired or replaced by the manufacturer issuing the warranty. Any such part repaired or replaced under the warranty must be warranted for a time not less than the remaining warranty period.
- (2) Any warranted part that is scheduled only for regular inspection in the written instructions must be warranted for the warranty period defined in subsection (b)(2). A statement in such written instructions to the effect of "repair or replace as necessary" will not reduce the period of warranty coverage. Any such part repaired or replaced under warranty must be warranted for a time not less than the remaining warranty period.
- (3) Any warranted part that is scheduled for replacement as required maintenance in the written instructions must be warranted for the period of time prior to the first scheduled replacement point for that part. If the part fails prior to the first scheduled replacement, the part must be repaired or replaced by the manufacturer issuing the warranty. Any such part repaired or replaced under warranty must be warranted for a time not less than the remainder of the period prior to the first scheduled replacement point for the part.
- (4) Repair or replacement of any warranted part under the warranty provisions of this article must be performed at no charge to the owner at a warranty station.
- (5) Notwithstanding the provisions of subsection (4) above, warranty services or repairs must be provided at distribution centers that are franchised to service the subject equipment.
- (6) The owner must not be charged for diagnostic labor that leads to the determination that a warranted part is in fact defective, provided that such diagnostic work is performed at a warranty station.
- (7) Throughout the evaporative emission control system's warranty period set out in subsection (b)(2), the manufacturer issuing the warranty must maintain a supply of warranted parts sufficient to meet the expected demand for such parts.
- (8) Manufacturer approved replacement parts must be used in the performance of any warranty maintenance or repairs and must be provided without charge to the owner. Such use will not reduce the warranty obligations of the manufacturer issuing the warranty.
- (9) The use of any add-on or modified parts will be grounds for disallowing a warranty claim made in accordance with this article. The manufacturer issuing the warranty will not be liable under this Article to warrant failures of warranted parts caused by the use of an add-on or modified part.
- (10) The manufacturer issuing the warranty shall provide any documents that describe the warranty procedures or policies within five working days of request by the Air Resources Board.

EMISSION WARRANTY PARTS LIST:

- 1) Fuel Tank
- 2) Fuel Cap
- 3) Fuel Hoses
- 4) Carbon Canister
- 5) Vapor Hoses
- 6) Hose Clamps
- 7) Hose Connectors
- 8) Vapor/Fuel Check Valve

Written instructions for the maintenance and use of the evaporative emissions control system by the owner shall be furnished with each new generator.

TABLE DES MATIÈRES

■ Introduction	2
■ Instructions importantes concernant la sécurité	3-4
■ Règles de sécurité particulières	4
■ Symboles.....	5-7
■ Caractéristiques électriques.....	7-9
■ Caractéristiques	10
■ Assemblage.....	11-12
■ Utilisation.....	13-16
■ Entretien	17-19
■ Recherche de pannes	20
■ Garantie.....	21-23
■ Commande de pièces/réparation.....	Page arrière

INTRODUCTION

Ce produit offre de nombreuses fonctions destinées à rendre son utilisation plus plaisante et plus satisfaisante. Lors de la conception de ce produit, l'accent a été mis sur la sécurité, les performances et la fiabilité, afin d'en faire un outil facile à utiliser et à entretenir.



DANGER :

MISE À LA TERRE DU GÉNÉRATEUR

Pour réduire les risques de choc électrique ou d'électrocution, le générateur doit être correctement mis à la terre. L'écrou et la borne de terre sur le cadre doivent toujours être utilisés pour connecter le générateur à une source de terre adaptée. La mise à la terre doit se faire avec un fil de calibre 8. Brancher la borne du fil de terre entre la rondelle de blocage et l'écrou, puis bien serrer l'écrou. Brancher l'autre extrémité du fil à une source de terre adaptée.

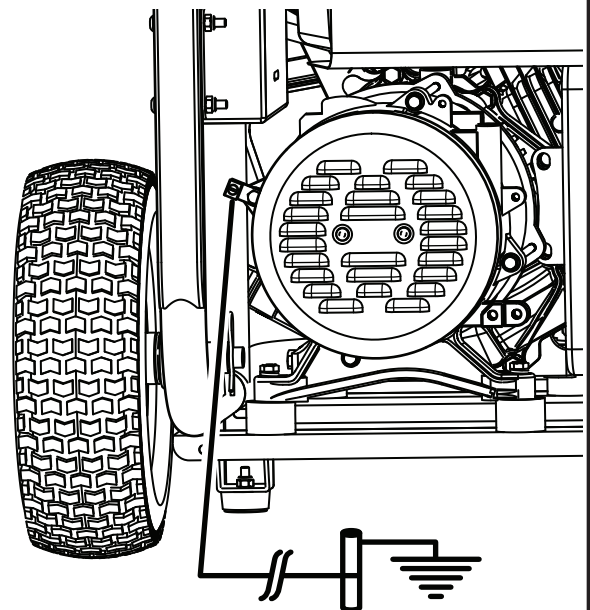
Le code électrique américain contient diverses façons pratiques permettant d'établir une bonne source de terre. Si une tige en fer ou en acier est utilisée, elle doit être d'au moins 15 mm (5/8 po) et si une tige non ferreuse est utilisée, elle doit avoir un diamètre d'au moins 12,5 mm (1/2 po) et être faite d'un matériau indiqué pour la mise à la terre. Introduire la tige ou le fourreau à une profondeur de 2,4 m (8 pieds). Si un fond rocailleux est présent à moins de 1,2 m (4 pieds), enterrer la tige ou le fourreau dans une tranchée.

Tous les outils et les appareils électriques utilisés à l'aide de ce générateur doivent être correctement mis à la terre par l'intermédiaire d'un troisième fil ou être doublement isolés.

Il est recommandé :

1. d'utiliser des appareils électriques avec prises de terre à trois fiches.
2. d'utiliser un cordon prolongateur avec prise à 3 pôles et une fiche à 3 broches aux extrémités opposées pour assurer la continuité de la protection de mise à la terre du générateur à l'appareil.

Consulter et respecter tous les règlements nationaux et locaux applicables concernant les spécifications de mise à la terre. Consulter un électricien qualifié ou le personnel de service si les instructions de mise à la terre ne sont pas bien comprises, ou en cas de doute au sujet de la mise à la terre.



INSTRUCTIONS IMPORTANTES CONCERNANT LA SÉCURITÉ

DANGER:

Monoxyde de Carbone. Utiliser une génératrice à l'intérieur d'un bâtiment CAUSERA LA MORT EN QUELQUES MINUTES.

Le tuyau d'échappement de la génératrice contient un niveau élevé de monoxyde de carbone (CO), lequel s'avère être un gaz poison inodore et invisible. Si vous pouvez sentir les gaz du tuyau d'échappement de la génératrice, vous respirez du CO. Mais, même si vous ne pouvez pas sentir les gaz provenant du tuyau d'échappement, vous pourriez être en train de respirer du CO.

- Ne jamais utiliser une génératrice à l'intérieur d'une maison, des garages, des petits espaces, ou autres aires restreintes partiellement fermées. Des niveaux mortels de monoxyde de carbone peuvent s'accumuler dans ces aires restreintes. Utiliser un ventilateur ou ouvrir une fenêtre ou les portes NE fournie PAS assez d'air frais à respirer.
- Utilisez SEULEMENT la génératrice à l'extérieur et loin des fenêtres ouvertes, des portes ouvertes, et des bouches d'aérations. Ces ouvertures peuvent tirer l'air provenant du tuyau d'échappement.

Même si vous utilisez une génératrice correctement, des gaz CO peuvent toujours s'infiltrer dans la maison. TOUJOURS utiliser une alarme de monoxyde de carbone à piles dans votre maison.

Si vous ressentez que vous commencez à être étourdi ou faible suite au fonctionnement de la génératrice, allez prendre l'air frais IMMÉDIATEMENT. Consultez un médecin. Vous pourriez avoir un empoisonnement au monoxyde de carbone.

ADVERTISSEMENT :

Lire et comprendre toutes les instructions. Le non-respect de toutes les instructions ci-dessous peut entraîner une électrocution, un incendie et/ou un empoisonnement au monoxyde de carbone, pouvant causer des blessures graves, voire mortelles.

ADVERTISSEMENT :

Le code électrique américain (National Electric Code) requiert que le générateur soit mis à la terre par l'intermédiaire d'une source de terre approuvée. Avant d'utiliser la borne de terre, consulter un électricien qualifié, un inspecteur en électricité ou un organisme local connaissant les codes et les règlements locaux applicables à l'utilisation prévue du générateur.

CONSERVER CES INSTRUCTIONS

Ce manuel relate à propos d'instructions importantes pour l'appareil, lesquelles devraient être suivies pendant l'installation et l'entretien des piles et de la génératrice.

- Ne pas laisser des enfants ou personnes n'ayant pas reçu une formation adéquate utiliser cette unité.

- Ne jamais mettre en marche ou faire tourner le moteur dans une zone fermée ou partiellement fermée. L'inhalation des fumées d'échappement provoquent le décès.
- Porter une protection oculaire certifiée conforme à la norme ANSI Z87, ainsi qu'une protection auditive lors de l'utilisation de cet outil.
- Garder les badauds, enfants et animaux domestiques à une distance minimum de 3 m (10 pi).
- Porter des chaussures ou des bottes robustes et sèches. Ne pas utiliser pieds nus.
- Ne pas utiliser le générateur en état de fatigue, si l'on est souffrant ou sous l'influence de l'alcool, de drogues ou de médicaments.
- Garder toutes les parties du corps à l'écart des pièces en mouvement et des parties brûlantes de l'outil.
- Ne pas toucher les prises ou les fils dénudés.
- Ne pas utiliser le générateur avec des cordons électriques usés, effilochés, dénudés ou autrement endommagés.
- Laisser le moteur refroidir avant de remiser l'outil et vidanger le carburant.
- Ne pas utiliser le générateur dans la pluie ou la neige.
- Remiser la génératrice dans un endroit bien ventilé après avoir vidé le réservoir de carburant. Ne pas remiser le carburant à proximité de la génératrice.
- Pour le transport dans un véhicule, le réservoir doit être vide, le robinet de carburant fermé et la machine bien arrimée.
- Laisser le moteur refroidir pendant 5 minutes avant de faire le plein.
- Manipuler le carburant avec précaution pour éviter les risques d'incendies et de brûlures. Le carburant est extrêmement inflammable.
- Ne pas fumer pendant la manipulation du carburant.
- Conserver le carburant dans un bidon ou jerrican approuvé pour l'essence.
- Poser la machine sur un sol plat, arrêter le moteur et le laisser refroidir avant de faire le plein.
- Desserrer le bouchon du réservoir lentement pour relâcher la pression et éviter que le carburant ne s'échappe.
- Une fois le réservoir plein, remettre le bouchon en place et le serrer fermement.
- Essuyer tout le carburant éventuellement répandu.
- N'essayer en aucun cas de brûler le carburant répandu.
- Une vibration est normale pendant l'utilisation de la génératrice. Pendant et après l'utilisation de la génératrice, inspectez celle-ci, tout comme les câbles d'extension et les câbles branchés à la boîte d'alimentation afin de détecter tout bris potentiel du matériel. Faites réparer tout dommage immédiatement ou remplacer les pièces endommagées au besoin. Ne pas utiliser de fiches ou des câbles qui sont endommagés tels qu'ils aient des signes de fissures ou si la couche isolante est craquée ou si les lamelles sont endommagées.
- Il est préférable d'utiliser une génératrice fixe comme source d'énergie de secours pour alimenter la maison en cas de panne d'électricité. Une génératrice portable, même correctement branchée, risque une surcharge. Il peut en résulter une surchauffe ou une contrainte induite sur les composantes du générateur, ce qui peut provoquer une défaillance de la génératrice.
- Utiliser uniquement des pièces de rechange et des accessoires approuvés et suivre les instructions dans la section Entretien de

INSTRUCTIONS IMPORTANTES CONCERNANT LA SÉCURITÉ

ce manuel. L'usage de pièces non autorisées ou le non-respect des instructions peut présenter des risques de choc électrique ou de blessures.

- Entretien le produit conformément aux instructions de ce manuel d'utilisation.

- Inspecter le produit avant chaque utilisation pour s'assurer qu'il n'y a pas de pièces desserrées, de fuites de carburant, etc. Remplacer les pièces endommagées.

RÈGLES DE SÉCURITÉ PARTICULIÈRES






AVERTISSEMENT :

Lorsque cette génératrice est utilisée pour fournir de l'énergie à un système électrique d'un bâtiment : cette génératrice doit être installée par un électricien qualifié et doit être branchée à un circuit fermé muni d'un interrupteur de transfert, conformément au Code National Électrique NFPA70. La génératrice devra être branchée sur un interrupteur de transfert lequel pourra allumer tous les conducteurs autres que celui du circuit électrique principal. Le cadre de la génératrice doit être mis à la terre par l'intermédiaire d'une source de terre approuvée. Si cette étape n'est pas faite, la génératrice ne sera pas isolée du circuit électrique et cela pourrait entraîner des blessures graves, voire même la mort chez un électricien travaillant pour l'usine.






- L'échappement contient du monoxyde de carbone, un gaz toxique incolore et inodore. L'inhalation des fumées d'échappement peut causer la perte de conscience et le décès. Si la machine tourne dans un endroit clos ou partiellement clos, l'air peut contenir une quantité dangereuse de monoxyde de carbone. Pour éviter l'accumulation de fumées d'échappement, toujours assurer une ventilation adéquate.
- Toujours utiliser un détecteur de monoxyde de carbone fonctionnant sur piles lors de l'utilisation du générateur. En cas de sensation de nausée, d'étourdissement ou de faiblesse lors de l'utilisation du générateur, l'arrêter et aller immédiatement à l'air frais. Consulter un docteur. Il peut s'agir d'un empoisonnement au monoxyde de carbone.
- Placer le générateur sur une surface stable et plate.
- Utiliser à l'extérieur dans un endroit bien ventilé et bien éclairé à l'écart des zones de travail pour éviter les interférences sonores.
- L'utilisation du générateur dans des conditions mouillées peut entraîner l'électrocution. Conserver l'unité au sec.
- Garder le générateur à au moins 1 m (3 pieds) de tout type de matériau combustible.
- Ne jamais utiliser le générateur près de matériaux dangereux.
- Ne pas utiliser le générateur près d'une station de distribution d'essence ou de gaz naturel.
- Ne pas toucher le silencieux ou le cylindre durant ou immédiatement après l'utilisation. Ils sont BRÛLANTS et peuvent provoquer des brûlures.
- Cette génératrice est équipée d'un connecteur neutre lié à la masse. Cela signifie que le conducteur neutre est relié électriquement au cadre de l'unité.
- Ne pas brancher au circuit électrique d'un bâtiment à moins qu'un commutateur de transfert automatique n'ait été correctement installé par un technicien qualifié.
- Ne pas laisser le réservoir de carburant du générateur déborder lors du remplissage. Remplir à 25 mm (1 po) en dessous du goulot du réservoir de carburant pour permettre l'expansion. Vérifier que l'orifice de ventilation dans le bouchon du réservoir de carburant ne contient pas de débris. Ne pas boucher l'évent.
- Ne pas fumer lors du remplissage du générateur avec de l'essence.
- Fermer le moteur et le laisser refroidir complètement avant l'ajout de carburant ou la lubrification de la génératrice
- Ne pas retirer la jauge d'huile ou le bouchon du réservoir de carburant lorsque le moteur tourne.
- Bien tenir compte de tous les autocollants de sécurité situés sur le générateur.
- Garder les enfants à un minimum de 3 m (10 pieds) du générateur à tout moment.
- L'unité fonctionne le mieux à des températures comprises entre -5 et 40 °C (23 et 104 °F) avec une humidité relative de 90 % ou moins.
- Des modifications spéciales pour une performance en haute altitude sont requises si le générateur est utilisé en permanence à des altitudes supérieures à 1500 m (5000 pieds). Contacter le centre de réparations agréé PowerStroke le plus proche pour plus d'informations et pour faire effectuer des modifications.
- Vérifier la tension et la fréquence requises avant de brancher tout équipement électronique sur le générateur. Le générateur peut se trouver endommagé si les appareils branchés ne sont pas prévus pour fonctionner à une tension égale à $\pm 10\%$ et une fréquence égale à ± 3 Hz de celles indiquées sur la plaque signalétique du générateur. Pour réduire les risques de dommages, toujours brancher une charge additionnelle sur le générateur lorsqu'un appareil à circuits intégrés (tel qu'un téléviseur) est utilisé. Une varistance peut être aussi nécessaire pour certaines applications, dans le cas d'un ordinateur, par exemple. Une varistance peut être aussi nécessaire pour certaines applications de l'équipement en solide.
- Lorsque les batteries n'est pas en usage, le garder à l'écart d'articles tels qu'attaches trombones, pièces de monnaie, clous, vis et autres petits objets métalliques risquant d'établir le contact entre les deux bornes. La mise en court-circuit des bornes de batteries peut causer des étincelles, des brûlures ou un incendie.
- Conserver ces instructions. Les consulter fréquemment et les utiliser pour instruire les autres utilisateurs éventuels. Si ce produit est prêté, il doit être accompagné de ces instructions.

SYMBOLES

Les termes de mise en garde suivants et leur signification ont pour but d'expliquer le degré de risques associé à l'utilisation de ce produit.







SYMBOLE	SIGNAL	SIGNIFICATION
	DANGER:	Indique une situation extrêmement dangereuse qui, si elle n'est pas évitée, aura pour conséquences des blessures graves, voire mortelles.
	AVERTISSEMENT :	Indique une situation potentiellement dangereuse qui, si elle n'est pas évitée, aura pour conséquences des blessures graves ou mortelles.
	ATTENTION :	Indique une situation potentiellement dangereuse qui, si elle n'est pas évitée, pourrait entraîner des blessures légères ou de gravité modérée.
	ATTENTION :	(Sans symbole d'alerte de sécurité) Indique une situation pouvant entraîner des dommages matériels.

Certains des symboles ci-dessous peuvent être utilisés sur le produit. Veiller à les étudier et à apprendre leur signification. Une interprétation correcte de ces symboles permettra d'utiliser le produit plus efficacement et de réduire les risques.

SYMBOLE	NOM	DÉSIGNATION / EXPLICATION
	Alerte de sécurité	Indique un risque de blessure potentiel.
V	Volts	Tension
A	Ampères	Courant
Hz	Hertz	Fréquence (cycles par seconde)
W	Watt	Puissance
hrs	Heures	Durée
gal	Gallon	Volume
qt	Quart	Volume
	Avertissement concernant l'humidité	Ne pas exposer à la pluie ou l'humidité.
	Lire le manuel d'utilisation	Pour réduire les risques de blessures, l'utilisateur doit lire et veiller à bien comprendre le manuel d'utilisation avant d'utiliser ce produit.
	Protection oculaire	Toujours porter une protection oculaire certifiée conforme à la norme ANSI Z87.1.
	Choc électrique	Une utilisation de l'équipement dans des conditions non sèches et le non-respect des méthodes sans danger peuvent entraîner un choc électrique.

SYMBOLES

Certains des symboles ci-dessous peuvent être utilisés sur le produit. Veiller à les étudier et à apprendre leur signification. Une interprétation correcte de ces symboles permettra d'utiliser le produit plus efficacement et de réduire les risques.

SYMBOLE	NOM	DÉSIGNATION / EXPLICATION
	Vapeurs toxiques	Durant le fonctionnement, le générateur émet du monoxyde de carbone, un gaz toxique inodore et incolore. Respirer le monoxyde de carbone peut entraîner des nausées, des évanouissements, voire la mort.
	Incendie/explosion	Le carburant et ses vapeurs sont extrêmement inflammables et explosifs. Un incendie ou une explosion peut entraîner des brûlures graves, voire la mort.
	Surface chaude	Pour éviter les risques de blessures ou de dommages, éviter tout contact avec les surfaces brûlantes.
	Danger au levage	Pour réduire le risque de blessures graves, éviter de lever le générateur seul.
	Mise à la terre	Consulter un électricien local pour déterminer les exigences de mise à la terre avant le fonctionnement.
	Électrocution	Une mauvaise mise à la terre du générateur peut causer une électrocution, surtout si le générateur est équipé d'un kit de roues.

AUTOCOLLANTS DE SÉCURITÉ

Les informations ci-dessous se trouvent sur le générateur. Pour des raisons de sécurité, étudier et comprendre tous les autocollants avant de mettre le générateur en marche. Si un autocollant se détache ou devient illisible, contacter le centre de réparations agréé pour obtenir un autocollant de rechange.

- Ne pas procéder de la manière décrite dans ce manuel d'utilisation entraînera des BLESSURES GRAVES voire la MORT.
- Risque d'incendie. Ne pas ajouter de carburant pendant l'utilisation de l'appareil.
- Le générateur est une source potentielle de chocs électriques. Ne pas exposer à l'humidité, la pluie ou la neige. Ne pas utiliser avec les mains ou les pieds mouillés.
- L'échappement contient le gaz monoxyde de carbone toxique qui peut causer l'inconscience ou la MORT les secteurs bien ventilés et extérieurs loin d'ouvre des fenêt ou des portes.
- Une mauvaise mise à la terre du générateur peut causer une électrocution, surtout si le générateur est équipé d'un kit de roue.

- Ne pas exposer à la pluie ou l'humidité.

- L'utilisation d'une génératrice à l'intérieur PEUT VOUS TUER EN QUELQUES MINUTES. Les

génératrices produisent du monoxyde de carbone, un gaz mortel incolore et inodore.

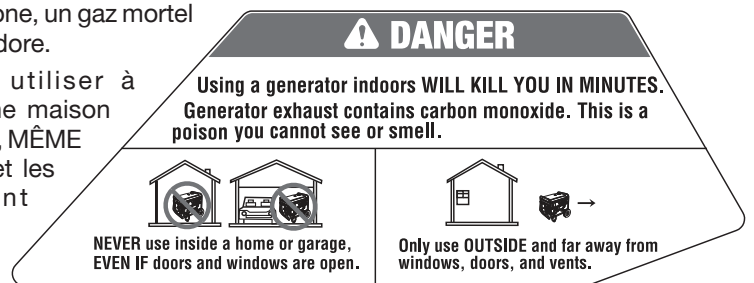
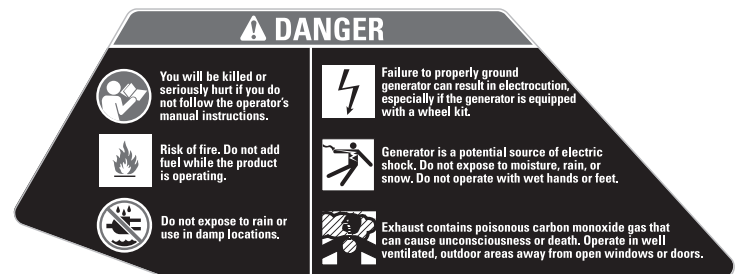
- NE JAMAIS utiliser à l'intérieur d'une maison ou d'un garage, MÊME SI les portes et les fenêtres sont ouvertes.

- Utiliser uniquement

À L'EXTÉRIEUR et loin des fenêtres, des portes et des événements.

AVERTISSEMENT CONCERNANT LES SURFACES BRÛLANTES

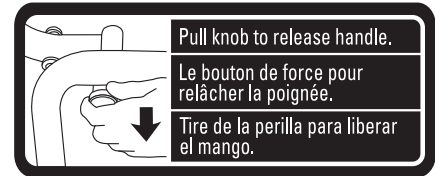
Ne pas toucher le silencieux ou le cylindre en aluminium du moteur. Ils sont BRÛLANTS et peuvent causer de graves brûlures. Ne mettre aucun matériau inflammable ou combustible sur le chemin direct de l'échappement.



SYMBOLES

AVERTISSEMENT CONCERNANT LE CARBURANT

Ne pas fumer lors du plein. Ne pas trop remplir. Le plein est obtenu à 25 mm (1 po) en dessous du haut du goulot de remplissage. Arrêter le moteur pendant cinq minutes avant de faire le plein pour éviter que la chaleur du silencieux n'allume les vapeurs de carburant.



AVERTISSEMENT CONCERNANT LE LUBRIFIANT MOTEUR

Ajouter de le lubrifiant avant l'utilisation initiale du générateur. La contenance du réservoir est de 1,0 l (1,1 quart). Toujours vérifier le niveau de lubrifiant avant chaque utilisation. Le niveau de lubrifiant doit toujours se trouver dans la zone hachurée de la jauge. Cette unité est équipée d'un capteur d'huile qui coupe automatiquement le moteur si le niveau de lubrifiant descend à un niveau dangereux.



⚠ WARNING ⚠ AVERTISSEMENT ⚠ ADVERTENCIA

Product does not include ground rod or copper wire. National Electric Code requires generator to be properly grounded to an approved earth ground. Call an electrician for local grounding requirements.

Le produit ne comprend pas de piquet de terre ou de fil en cuivre. Le code électrique américain (National Electric Code) requiert un générateur pour une bonne mise à la terre approuvée. Appeler un électricien pour connaître les exigences locales de mise à la terre.

El producto no incluye el alambre de cobre ni la barra de conexión a tierra. Los Reglamentos Nacionales de Electricidad exigen que el generador esté debidamente conectado a una tierra aprobada. Comuníquese con un electricista para todo lo relacionado con los requisitos de conexión a tierra.

MISE À LA TERRE - AVERTISSEMENT

Le code électrique américain (National Electric Code) requiert que le générateur soit mis à la terre par l'intermédiaire d'une source de terre approuvée.

CARACTÉRISTIQUES ÉLECTRIQUES

TAILLE DU CÂBLE DU CORDON PROLONGATEUR

Voir le tableau ci-dessous pour vérifier que la taille de câble des cordons prolongateurs utilisés est capable de porter la charge requise. Des tailles de câbles inadéquates peuvent causer une chute de tension qui peut endommager l'appareil et surchauffer le cordon.

Courant en ampères	Charge en watts		Longueur de cordon permise maximum				
	À 120 V	À 240 V	Fil de calibre 8	Fil de calibre 10	Fil de calibre 12	Fil de calibre 14	Fil de calibre 16
2.5	300	600		305 m (1000 pieds)	183 m (600 pieds)	114 m (375 pieds)	76 m (250 pieds)
5	600	1200		152 m (500 pieds)	91 m (300 pieds)	61 m (200 pieds)	38 m (125 pieds)
7.5	900	1800		107 m (350 pieds)	61 m (200 pieds)	38 m (125 pieds)	31 m (100 pieds)
10	1200	2400		76 m (250 pieds)	46 m (150 pieds)	31 m (100 pieds)	15 m (50 pieds)
15	1800	3600		46 m (150 pieds)	31 m (100 pieds)	20 m (65 pieds)	
20	2400	4800	53 m (175 pieds)	38 m (125 pieds)	23 m (75 pieds)		
25	3000	6000	46 m (150 pieds)	31 m (100 pieds)			
30	3600	7200	38 m (125 pieds)	20 m (65 pieds)			
40	4800	9600	27 m (90 pieds)				

CARACTÉRISTIQUES ÉLECTRIQUES

CHARGES DU MOTEUR ÉLECTRIQUE

Les moteurs électriques courants en fonctionnement normal tirent jusqu'à six fois leur courant de fonctionnement lors du démarrage. Ce tableau peut être utilisé pour estimer les watts requis pour démarrer les moteurs électriques « code G » ; cependant, si un moteur électrique ne démarre pas ou n'atteint pas sa vitesse de fonctionnement, éteindre immédiatement l'appareil ou l'outil pour éviter d'endommager l'équipement. Toujours vérifier les exigences de l'outil ou de l'appareil utilisé par rapport à la sortie nominale du générateur.

Taille du moteur (ch)	Watts de fonctionnement	Watts requis pour le démarrage du moteur		
		Répulsion Induction	Condensateur	Phase auxiliaire
1/8	275	600	850	1200
1/6	275	600	850	2050
1/4	400	850	1050	2400
1/3	450	975	1350	2700
1/2	600	1300	1800	3600
3/4	850	1900	2600	—
1	1100	2500	3300	—

CORDON PROLONGATEUR

Voir la figure 1.

Le cordon prolongateur (modèle RDEC25) de 762 cm (25 pi) comporte une prise à verrouillage par rotation de 240 V, 20 A à l'une de ses extrémités, une prise à verrouillage par rotation de 240 V, 20 A à l'autre extrémité, ainsi qu'un connecteur de commande de moteur de 12 V c.c. à chacune de ses extrémités. Lorsque ce cordon est utilisé, le panneau de commande amovible peut fournir du courant au moyen des deux prises de courant doubles protégées par un disjoncteur de fuite de terre de 120 V situées sur la boîte de commande.

CAUTION:

Utiliser uniquement avec le cordon d'alimentation RDEC25. La longueur du cordon ne doit pas excéder 22,86 m (75 pi), ce qui équivaut à combiner trois cordons RDEC25.

ATTENTION :

Vérifier la tension et la fréquence requises avant de brancher tout équipement électronique sur le générateur. Le générateur peut se trouver endommagé si les appareils branchés ne sont pas prévus pour fonctionner à une tension égale à $\pm 10\%$ et une fréquence égale à ± 3 hz de celles indiquées sur la plaque signalétique du générateur. Pour éviter tout dommage, toujours brancher une charge additionnelle sur le générateur lorsqu'un appareil à circuits intégrés (tel qu'un téléviseur) est utilisé. Une varistance peut être aussi nécessaire pour certaines applications, dans le cas d'un ordinateur, par exemple. Une varistance peut être aussi nécessaire pour certaines applications de l'équipement en solide.

DISJONCTEUR DE FUITE À LA TERRE

Voir la figure 2.

Les prises de 20 A, 120 V sur le générateur sont protégées par un disjoncteur de fuite à la terre qui protège des dangers de courants de défaut à la terre. Un exemple de courant de défaut à la terre est le courant qui passerait par une personne utilisant un appareil dont l'isolation serait défectueuse, et qui serait en même temps en contact avec une mise électrique à la terre, telle qu'un dispositif de plomberie, un sol mouillé ou la terre.

Les prises protégées par un disjoncteur de fuite à la terre ne protègent pas des court-circuits, des surcharges et des chocs électriques.

Les prises protégées par un disjoncteur de fuite à la terre peuvent être testées au moyen des boutons TEST et RESET (Réinitialisation).

Pour tester :

- Appuyer sur le bouton TEST. Ceci doit faire sortir le bouton Reset (Réinitialiser).
- Pour restaurer l'alimentation, appuyer sur le bouton RESET (Réinitialiser).

Effectuer ce test chaque mois pour assurer un bon fonctionnement du disjoncteur de fuite à la terre. Si le générateur est remis à l'extérieur, non protégé des intempéries, tester la prise du disjoncteur avant chaque utilisation.

CARACTÉRISTIQUES ÉLECTRIQUES

CAPACITÉ DU GÉNÉRATEUR

S'assurer que le générateur peut fournir les watts continus (de fonctionnement) et de surtension (démarrage) suffisants pour tous les articles alimentés au même moment. Suivre ces simples étapes.

1. Sélectionner les articles qui seront alimentés au même moment.
2. Faire le total des watts continus (de fonctionnement) de ces articles. Ceci correspond à la somme de puissance que le générateur doit produire pour que ces articles puissent fonctionner. Voir le tableau de référence de wattage à droite.
3. Déterminer les watts de surtension (démarrage) nécessaires. Les watts de surtension correspondent à la courte pointe de puissance nécessaire pour démarrer les outils ou les appareils à moteur électriques, tels que les scies circulaires ou les réfrigérateurs. Les moteurs ne démarrant pas tous au même moment, le total des watts de surtension peut être déterminé en ajoutant uniquement les articles au wattage de surtension supplémentaire le plus élevé au wattage nominal total de l'étape 2.

Exemple :

Outil ou appareil	Estimation* du nombre de watts requis pour le fonctionnement	Estimation* du nombre de watts supplémentaires en surtension requis au démarrage
Lampe de travail quartz-halogène	1000	0
Scie alternative	960	+960
Perceuse électrique	600	+900
Scie circulaire	1400	+2300
	3960 Wattage de fonctionnement total	+2300 Wattage de surtension maximum

Wattage continu (fonctionnement) total 3960
Plus wattage de surtension supplémentaire max. + 2300
Égal à la sortie totale du générateur requise 6260

GESTION DE L'ÉNERGIE

Pour prolonger la durée de vie du générateur et des appareils reliés, il est important d'effectuer l'ajout de charges électriques supplémentaires au générateur avec soin. Rien ne doit être connecté aux sorties du générateur avant le démarrage du moteur. Une gestion correcte et en toute sécurité de l'énergie du générateur consiste à ajouter des charges en séquence :

1. Sans appareil connecté au générateur, mettre le moteur en marche de la façon décrite dans ce manuel.
2. Brancher et mettre en marche la première charge, de préférence la plus importante.
3. Laisser la sortie du générateur se stabiliser (le moteur tourne régulièrement et l'appareil relié fonctionne correctement).
4. Brancher et mettre la charge suivante en marche.
5. Une fois de plus, laisser le générateur se stabiliser.
6. Répéter les étapes 4 et 5 pour chaque charge supplémentaire.

Ne jamais ajouter de charges supérieures à la capacité du générateur. Bien veiller à considérer les charges de surtension comme décrit précédemment.

ATTENTION :

Ne pas surcharger la capacité du générateur. Le dépassement de la capacité du wattage/de l'ampérage du générateur peut endommager le générateur et/ou les appareils électriques qui lui sont reliés.

Outil ou appareil	Estimation* du nombre de watts requis pour le fonctionnement	Estimation* du nombre de watts supplémentaires requis au démarrage
Site de travail/atelier		
Lampe de travail quartz-halogène	1000	0
Pulvérisateur sans air – 1/3 ch	600	+1200
Scie alternative	960	+960
Perceuse électrique – 1/2 ch	600	+900
Scie circulaire – 185 mm (7-1/4 po)	1400	+2300
Scie à onglet – 255 mm (10 po)	1800	+1800
Raboteuse/dégauchiseuse – 152 mm (6 po)	1800	+1800
Scie circulaire à table/scie circulaire tous azimuts - 255 mm (10 po)	2000	+2000
Compresseur à air - 1 ch	1600	+4500

*Les wattages indiqués sont approximatifs. Vérifier l'outil ou l'équipement pour connaître la puissance réelle.

CARACTÉRISTIQUES

FICHE TECHNIQUE

MOTEUR

Type de moteur.....	Suburu, EX40 OHC
Course x alésage.....	89 mm x 65 mm
Système de refroidissement.....	Air forcé
Taux de compression.....	8:1:1
Système de démarrage.....	À rappel et électriques
Système d'allumage.....	Transistorisé
Bougie.....	NGK BR6HS
Volume de lubrifiant moteur.....	1,1 l (1,2 qt.)
Volume de carburant.....	30,28 l (8 gal.)

GÉNÉRATEUR

Tension nominale.....	120 V/240 V
Ampérage nominal.....	66,7 A / 33,3A
Sortie nominale.....	8 000 W
Sortie maximum.....	10 000 W
Fréquence nominale.....	60 Hz

DIMENSIONS

Longueur.....	78 cm (31 po)
Largeur.....	75 cm (30 po)
Hauteur.....	67 cm (27 po)
Poids.....	116 kg (256 lb)

BIEN CONNAÎTRE LE GÉNÉRATEUR

Voir la figure 3.

L'utilisation sûre de ce produit exige une compréhension des renseignements figurant sur le produit et contenus dans le manuel d'utilisation, ainsi qu'une bonne connaissance du projet entrepris. Avant d'utiliser ce produit, se familiariser avec toutes ses caractéristiques et règles de sécurité.

DISJONCTEUR C.A.

Le disjoncteur est fourni pour protéger le générateur contre les surcharges électriques. Appuyer sur le bouton du disjoncteur pour le réenclencher.

FILTRE À AIR

Le filtre à air permet de limiter la quantité de poussière et de saleté pénétrant dans l'unité lors du fonctionnement.

LEVIER D'ÉTRANGLEMENT

Le levier d'étranglement sert lors du démarrage du moteur.

COMMUTATEUR DU MOTEUR AVEC CLÉ

Le commutateur du moteur est utilisé avec la poignée du lanceur afin de faire démarrer la génératrice. Pour arrêter le moteur, mettre le commutateur du moteur sur arrêt.

CORDON PROLONGATEURS

Le cordon prolongateur (modèle RDEC25) de 762 cm (25 pi) comporte une prise à verrouillage par rotation de 120/240 V, 20 A à l'une de ses extrémités, une prise à verrouillage par rotation et 12 V c.c. à chacune de ses extrémités. Lorsque ce cordon est utilisé, le panneau de commande amovible peut fournir du courant au moyen des deux prises de courant doubles protégées par un disjoncteur de fuite de terre de 120 V situées sur la boîte de commande.

RÉSERVOIR DE CARBURANT AVEC JAUGE D'ESSENCE

Le réservoir de carburant avec jauge d'essence a une capacité de 30,28 l (8 gal).

ROBINET DE CARBURANT

Le débit de carburant par le générateur est contrôlé par la position du robinet de carburant.

SYSTÈME DE SURVEILLANCE GenSmart™

Le système de surveillance GenSmart assure un suivi de l'usage

et de la charge et prévient l'utilisateur lorsqu'il est recommandée de procéder à un entretien périodique du moteur.

NOTE : Le système de surveillance GenSmart™ assure un suivi de la charge uniquement pour les prises de 120 V, 20 A protégées par un disjoncteur de fuite de terre du panneau de commande amovible. Il ne mesure pas la charge sur la prise de 240 V, 30 A.

BORNE DE TERRE

La borne de terre permet d'obtenir une bonne mise à la terre du générateur pour la protection contre les chocs électriques. Consulter un électricien local pour les exigences de mise à la terre locales.

COMMUTATEUR D'ARRÊT

Pour arrêter le moteur, maintenir le commutateur d'arrêt jusqu'à ce que le moteur s'arrête.

BOUCHON/JAUGE D'HUILE

Retirer le bouchon de remplissage d'huile pour vérifier le niveau d'huile et faire l'appoint selon le besoin.

VIS DE VIDANGE D'HUILE

Lors de la vidange de lubrifiant moteur, la vis de vidange d'huile moteur est desserrée pour permettre à l'huile d'être vidangée.

PRISES

Les prises monophasées suivantes de 60 Hz situées sur le panneau de commande peuvent être utilisées pour faire fonctionner certains appareils, des systèmes d'éclairage électriques, des outils et des charges de moteur : (4) prises de 120 V c.a., (2) prises de 120 V, 20 A protégées par un disjoncteur de fuite de terre, et (1) prise de 240 V c.a., 30 A. Une prise de 240 V c.a., 20 A, est disponible à le côté du panneau de commande amovible lorsque le panneau est ouvert.

POIGNÉE DU DÉMARREUR À RAPPEL

La poignée du démarreur à rappel est utilisée pour mettre le générateur du moteur en marche.

PANNEAU DE COMMANDE AMOVIBLE

Le panneau de commande amovible peut être fixé sur un mur afin d'être utilisé avec des cordons prolongateurs à divers endroits.

ASSEMBLAGE

AVERTISSEMENT :

Ne pas tenter d'utiliser le générateur avant d'avoir terminé l'assemblage. Le non-respect de cette instruction pourrait entraîner des blessures graves.

LISTE DES PIÈCES DÉTACHÉE

Voir la figure 4.

Les articles suivants sont inclus avec le générateur :

No de

Pièce	Description	Qté.
1	Essieu	2
2	Roue	2
3	Rondelle plate (5/8 po)	2
4	Axe de blocage.....	2
5	Vis (1/4-20 x 2 po, six pans)	4
6	Rondelle plate (1/4 po)	6
7	Pied avec pied en caoutchouc	2
8	Écrou (1/4-20 écrou auto-serreur)	6
9	Cordon prolongateurs, 25 pi	1
10	Lubrifiant de moteur	1
11	Vis (1/2-20 x 1 po, six pans)	2
12	Clé	1
	Manuel d'utilisation (pas illustré)	1

DÉBALLAGE

Ce produit doit être assemblé.

- Couper prudemment les côtés de la caisse puis sortir la machine et les accessoires de la caisse. S'assurer que toutes les pièces figurant sur la liste de contrôle sont incluses.

NOTE : Cette machine est lourde et nécessite au minimum deux personnes pour être soulevée. Pour éviter des problèmes lombaires soulever avec les jambes, pas avec le dos et demander de l'aide lorsque nécessaire.

AVERTISSEMENT :

Ne pas utiliser le produit si, en le déballant, vous constatez que des éléments figurant dans la liste des pièces détachées (ou la liste d'expédition) sont déjà assemblés. Certaines pièces figurant sur cette liste n'ont pas été assemblées par le fabricant et exigent une installation. Le fait d'utiliser un produit qui a été assemblé de façon inadéquate peut entraîner des blessures.

- Examiner soigneusement le produit pour s'assurer que rien n'a été brisé ou endommagé en cours de transport.

- Ne pas jeter les matériaux d'emballage avant d'avoir soigneusement examiné le produit et vérifié qu'il fonctionne correctement.
- Si des pièces manquent ou sont endommagées, appeler le 1-866-539-1710, pour obtenir de l'aide.

AVERTISSEMENT :

Si des pièces manquent ou sont endommagées, ne pas utiliser le produit jusqu'à ce qu'elles soient remplacées. Le fait d'utiliser ce produit même s'il contient des pièces endommagées ou s'il lui manque des pièces peut entraîner des blessures graves.

AVERTISSEMENT :

Ne pas essayer de modifier ce produit ou de créer des accessoires non recommandés pour ce produit. De telles altérations ou modifications sont considérées comme un usage abusif et peuvent créer des conditions dangereuses pouvant entraîner des blessures graves.

NOTE : Ne pas mettre du carburant ou du lubrifiant dans la génératrice avant d'installer les pieds et les roues.

FIXER LES PIEDS

Voir la figure 5.

- Localiser les pièces suivantes :
 - 2 pieds avec patin en caoutchouc
 - 6 rondelles plate
 - 6 écrous frein
 - 4 vis (2 po)
 - 2 vis (1 po)
- Soulever l'extrémité avant de la génératrice, où se trouve le moteur, suffisamment pour avoir accès au bas du cadre. Fixer solidement les accessoires sous celui-ci afin de le soutenir.
- Placer une patte vis-à-vis de chaque trou du cadre.
- Insérer une vis de 2 po dans chacun des trous du cadre et de la pied.
- Fixer les vis en installant un écrou auto-serreur sur chaque vis de l'intérieur du cadre. Serrer solidement l'écrou.
- Insérer une vis de 25,4 mm (1 po) dans une rondelle plate, dans le trou de la barre stabilisatrice du cadre et dans le trou de l'onglet de la patte. Installer un écrou auto-serreur et le serrer solidement.
- Répéter ces étapes pour les autres pieds.

ASSEMBLAGE

INSTALLATION DES ROUES

Voir la figure 6.

Les roues sont fournies pour aider à déplacer le générateur à l'endroit désiré et doivent être installées du côté opposé à la lanceur à rappel.

- Localiser les pièces suivantes :
 - 2 essieux
 - 2 rondelles (5/8 po)
 - 2 axes de blocage
 - 2 roues
- Soulever suffisamment la génératrice du côté de la poignée pour avoir accès au bas du cadre. Fixer solidement les accessoires sous de celui-ci afin de le soutenir.
- Insérer un essieu dans le centre de la roue.
- Placer une rondelle sur l'essieu, puis glisser l'essieu dans le support du cadre.
- Glisser la goupille d'attelage dans le trou de l'essieu et s'assurer qu'elle est fixée solidement.
- Répéter le processus de l'autre côté pour fixer la deuxième roue.

CONNEXION D'UNE PILE

Voir la figure 7.

Les câbles de la pile doivent être branchés pour que la fonction de démarrage électrique de la génératrice fonctionne.

- Raccorder d'abord le fil rouge à la borne positive (+), puis raccorder le fil noir à la borne négative (-) à l'aide des boulons, des écrous et des rondelles fournis. S'assurer que toutes les connexions sont serrées.

NOTE : Prendre soin de ne pas court-circuiter les bornes au moment de procéder à l'installation. Le fait de court-circuiter les bornes peut causer des étincelles, des dommages à la batterie ou à la génératrice ou même des blessures ou des explosions.

- Recouvrir les bornes avec les capuchons en caoutchouc.

Au moment de retirer la pile afin de la remplacer : retirer l'écrou et le boulon de la borne négative (noire) en premier, et ensuite, de la borne positive (rouge) en prenant soin de ne pas court-circuiter les bornes. Respectez toujours les avertissements en matière de sécurité fournis avec la batterie. Enlevez la batterie. Retirer la batterie et l'éliminer conformément aux règlements locaux et d'état.

AVERTISSEMENT :

Pour réduire le risque d'électrocution ou d'explosion, ne pas court-circuiter les bornes de la batterie ou charger dans un contenant étanche. Éloigner des étincelles et des flammes.

AVERTISSEMENT :

Gardez les objets métalliques loin des bornes de batterie. Objets métalliques risquant d'établir le contact entre les deux bornes. La mise en court-circuit des bornes de batteries peut causer des étincelles, des brûlures ou un incendie.

PANNEAU DE COMMANDE AMOVIBLE

Voir la figure 8.

Pour retirer le panneau de commande amovible du générateur :

- Éteindre le générateur.
- Desserrer le dispositif de verrouillage sur le panneau de commande amovible et tirer le panneau de commande vers l'avant.
- Débrancher la prise à verrouillage par rotation et le connecteur de commande de moteur de 12 V à l'arrière du panneau de commande.

INSTALLATION D'UN FIXE AU MUR POUR LE TABLEAU LE PANNEAU DE COMMANDE AMOVIBLE

Voir les figures 9 et 10.

Le panneau de commande amovible peut être enlevé du générateur et fixé au mur dans un autre emplacement avant de le reconnecte au générateur.

A fixé au mur le panneau de commande amovible :

- Les vis ou les clous pour pendre la boîte devrait être espacée 4-1/4 po du centre pour centrer.
- Marquer le 4-1/4 po la mesure sur un clou de mur ou l'autre surface de bois forte.
- Perçage les trous et insère les vis ; resserrer les vis assurément dans le bois.

NOTE : Il devrait y avoir au moins 5/8 po de la vis ou des clous dépassant du morceau de bois pour pendre la boîte

- Pendre la boîte sur les vis ou les clous, faisant certain c'est assuré.

UTILISATION

DANGER :

Monoxyde de Carbone. Utiliser une génératrice à l'intérieur d'un bâtiment CAUSERA LA MORT EN QUELQUES MINUTES. Le tuyau d'échappement de la génératrice contient un niveau élevé de monoxyde de carbone (CO), lequel s'avère être un gaz poison inodore et invisible. Si vous pouvez sentir les gaz du tuyau d'échappement de la génératrice, vous respirez du CO. Mais, même si vous ne pouvez pas sentir les gaz provenant du tuyau d'échappement, vous pourriez être en train de respirer du CO.

- Ne jamais utiliser une génératrice à l'intérieur d'une maison, des garages, des petits espaces, ou autres aires restreintes partiellement fermées. Des niveaux mortels de monoxyde de carbone peuvent s'accumuler dans ces aires restreintes. Utiliser un ventilateur ou ouvrir une fenêtre ou les portes NE fournies PAS assez d'air frais à respirer.
- Utilisez SEULEMENT la génératrice à l'extérieur et loin des fenêtres ouvertes, des portes ouvertes, et des bouches d'aérations. Ces ouvertures peuvent tirer l'air provenant du tuyau d'échappement.

Même si vous utilisez une génératrice correctement, des gaz CO peuvent toujours s'infiltrer dans la maison. TOUJOURS utiliser une alarme de monoxyde de carbone à piles dans votre maison.

Si vous ressentez que vous commencez à être étourdi ou faible suite au fonctionnement de la génératrice, allez prendre l'air frais IMMÉDIATEMENT. Consultez un médecin. Vous pourriez avoir un empoisonnement au monoxyde de carbone.

DANGER :

Une mauvaise mise à la terre du générateur peut causer une électrocution, surtout si le générateur est équipé d'un kit de roues. Le code électrique américain (National Electric Code) requiert un générateur correctement mis à la terre à une source de terre approuvée. Appeler un électricien pour connaître les exigences locales de mise à la terre.

AVERTISSEMENT :

La familiarité avec l'appareil ne doit pas faire oublier la vigilance. Ne pas oublier qu'une fraction de seconde d'inattention peut entraîner des blessures graves.

AVERTISSEMENT :

N'utiliser ni accessoires, ni outils non recommandés par le fabricant de ce produit. L'utilisation de pièces et accessoires non recommandés peut entraîner des blessures graves.

APPLICATIONS

Cé générateur est conçu pour fournir une alimentation électrique pour le fonctionnement d'éclairages, d'appareils, d'outils et de charges de moteur compatibles.

AVANT D'UTILISER L'UNITÉ

- Utiliser uniquement À L'EXTÉRIEUR et loin des fenêtres, des portes et des événements.
- NE JAMAIS utiliser à l'intérieur d'une maison ou d'un garage, MÊME SI les portes et les fenêtres sont ouvertes.
- Toujours poser la génératrice sur une surface stable et plate.

ATTENTION :

Une tentative de démarrage du moteur avant le remplissage en lubrifiant correct entraîne une panne de l'équipement.

RÉLEVER ET ABAISSER LA POIGNÉE

Voir la figure 11.

- Relèvement le poignée (pour déplacer génératrice) : tirer sur le manche pour engager le bouton de poignée dans la fente pour le verrouiller en place.
- Abaissement le poignée (pour mettre génératrice) : retirer la goupille de verrouillage de la poignée, puis tirer le bouton de relâchement vers l'extérieur et abaisser la poignée.

Ne jamais utiliser la poignée pour soulever la génératrice. La poignée devrait seulement être utilisée pour transporter l'appareil.

VÉRIFICATION/AJOUT DE LUBRIFIANT

Voir la figure 12.

Le lubrifiant moteur a une influence majeure sur la performance du moteur et la durée de service. De manière générale et pour toutes températures, de l'huile SAE 10W-30 est recommandée. Toujours utiliser une huile moteur à 4 temps conforme ou supérieure aux exigences de service SJ API.

Ce moteur est doté d'un dispositif qui arrête le moteur lorsque le niveau d'huile est incorrect. Le moteur ne redémarre pas tant que le niveau d'huile correct n'est pas atteint.

NOTE : Des lubrifiants moteur 2 temps non détergentes endommageront le moteur et ne doivent pas être utilisées.

- Dévisser le capuchon d'huile/la jauge et les retirer.

UTILISATION

- Essuyer la jauge et l'insérer de nouveau dans le trou sans visser.
- Retirer une nouvelle fois la jauge et vérifier le niveau de lubrifiant. Le niveau de lubrifiant doit se trouver dans la zone hachurée de la jauge.
- Si le niveau est bas, ajouter de le lubrifiant moteur jusqu'à ce que le niveau atteigne la portion supérieure sur la jauge.
- Réinstaller et serrer le bouchon d'huile/la jauge.

VÉRIFICATION/AJOUT DE CARBURANT

Voir la figure 13.

- Retirer le bouchon du réservoir de carburant.
- Remplir le réservoir de carburant à 25 mm (1 po) en dessous du haut du goulot du réservoir de carburant.
- Replacer et serrer le bouchon.

NOTE : Toujours utiliser de l'essence sans plomb avec un indice d'octane de 86 ou plus. Ne jamais utiliser du carburant vieux, éventé ou contaminé et ne pas utiliser de mélange lubrifiant/carburant. Ne pas laisser la poussière ou l'eau pénétrer dans le réservoir de carburant. **Ne pas utiliser le carburant E85.**

UTILISATION DE STABILISATEUR DE CARBURANT

Le carburant défraîchit, s'oxyde et se dégrade avec le temps. L'ajout de stabilisateur de carburant allonge la durée d'utilisation du carburant et permet d'éviter la formation de dépôts pouvant obstruer le circuit de carburant. Suivre les instructions du fabricant de stabilisateur de carburant pour le rapport stabilisateur/carburant correct.

- Ajouter le stabilisateur dans le réservoir de carburant puis remplir d'essence en suivant les instructions données précédemment.

NOTE : Le stabilisateur de carburant et l'essence peuvent être mélangés avant le remplissage en utilisant un jerrican ou un autre récipient approuvé et en secouant doucement pour mélanger.

- Replacer et serrer le bouchon.
- Mettre le moteur en marche et le faire tourner pendant au moins 5 minutes pour que le stabilisateur pénètre dans tout le circuit de carburant.

CARBURANTS OXYGÉNÉS

Certains carburants standard sont mélangés avec de l'alcool ou de l'éther. Ces carburants sont généralement appelés carburants oxygénés. Pour la conformité aux normes antipollution, certaines régions des États-Unis et du Canada utilisent des carburants oxygénés pour réduire les émissions.

Si du carburant oxygéné est utilisé, s'assurer qu'il est sans plomb et conforme aux exigences d'indice d'octane minimum. Avant d'utiliser du carburant oxygéné, essayer de connaître le contenu du carburant. Certains états/provinces

requièrent que cette information soit indiquée sur la pompe. Voici les pourcentages approuvés par l'EPA :

Éthanol (éthyle ou alcool de grain) 10 % par volume. Il est permis d'utiliser de l'essence contenant jusqu'à 10 % d'éthanol par volume. L'essence contenant de l'éthanol peut être vendue sous le nom de Gasohol. **Ne pas utiliser le carburant E85.**

Éther méthyl-tertiobutylique 15 % par volume. Il est permis d'utiliser de l'essence contenant jusqu'à 15 % d'éther méthyltertiobutylique par volume.

Méthanol (méthyle ou alcool de bois) 5 % par volume. Il est permis d'utiliser de l'essence contenant jusqu'à 5 % de méthanol par volume tant qu'il contient également des cosolvants et des agents antirouille pour protéger le circuit de carburant. L'essence contenant plus de 5 % de méthanol par volume peut entraîner des problèmes de démarrage ou de performance. Elle peut également endommager les pièces en métal, en plastique et en caoutchouc du générateur ou du circuit de carburant.

Si un symptôme de fonctionnement non souhaité est noté, essayer une autre station-service ou changer de marqueur d'essence.

NOTE : Les dommages au circuit de carburant et les problèmes de performance résultant de l'utilisation de carburant oxygéné contenant des pourcentages supérieurs à ceux indiqués précédemment ne sont pas couverts par la garantie.

ATTENTION :

Sur une surface à niveau, avec le moteur sur arrêt, vérifier le niveau d'huile avant chaque utilisation du générateur.

PANNEAU DE COMMANDE AMOVIBLE

Voir la figure 14.

Le panneau de commande amovible peut être fixé sur un mur et relié à la génératrice au moyen du cordon d'alimentation (modèle n° RDEC25) de 762 cm (25 pi) fourni avec le produit.

Il est possible d'éteindre la génératrice à partir du panneau de commande amovible ou clé d'commutateur d'arrêt en marche ou de l'arrêter.

NOTE : L'commutateur d'arrêt est de type marche-arrêt provisoire. Il faut le maintenir enfoncé jusqu'à ce que le moteur soit complètement arrêté.

Le panneau de commande amovible comprend deux prises de courant doubles de 120 V protégées par un disjoncteur de fuite de terre, ainsi que des couvercles de prises. Chaque prise de courant double comprend les boutons-poussoirs « Test » (essai) et « Reset » (réinitialisation).

NOTE : Les prises de courant doubles peuvent être représentées sans les couvercles afin de donner des instructions plus claires concernant le fonctionnement.

UTILISATION

Utiliser uniquement avec le cordon d'alimentation RDEC25. La longueur du cordon ne doit pas excéder 22,86 m (75 pi), ce qui équivaut à combiner trois cordons RDEC25.

SYSTÈME DE SURVEILLANCE GenSmart™

Voir la figure 15.

Le système de surveillance GenSmart™ présente les caractéristiques suivantes :

Indicateur de charge

Mesure la puissance débitée des deux prises de courant doubles de 120 V protégées par un disjoncteur de fuite de terre situées sur le panneau de commande amovible. Le système de surveillance GenSmart™ assure un suivi de la charge uniquement pour les prises de 120 V GFCI protégées par un disjoncteur de fuite de terre du panneau de commande amovible. Il ne mesure pas la charge sur la prise de 240 V, 30 A. L'indicateur GenSmart™ peut mesurer jusqu'à 4 800 W de la génératrice 4 800 W.

NOTE : Si la prise de 240 V est utilisée, la charge indiquée sur l'afficheur ne représentera pas le pourcentage exact de la charge est dessiné du générateur.

Compteur d'heures

Le compteur d'heures analogique est activé à chaque fois que le moteur est mis en marche; il enregistre le nombre d'heures pendant lesquelles l'unité a été utilisée. Consulter le manuel d'utilisation du moteur et le compteur d'heures afin de déterminer le type d'entretien requis pour l'unité ainsi que le moment pour procéder à cet entretien.

Système d'avertissement d'entretien

À toutes les 100 heures d'utilisation, le système de surveillance GenSmart™ informe l'utilisateur qu'il faut procéder à l'entretien du filtre, de la bougie et de l'huile du moteur. Pour réinitialiser ce message, appuyer sur le bouton « Reset » (réinitialisation) situé au-dessous de l'écran du système de surveillance GenSmart™ et le tenir enfoncé pendant cinq secondes.

Lecture du système de surveillance GenSmart™

Lors du démarrage, l'unité affiche un message indiquant à l'utilisateur de lire et veiller à bien comprendre le manuel d'utilisation avant d'utiliser ce produit.

Lorsque la génératrice est en marche, le panneau affiche une barre d'alimentation, le pourcentage de la charge et le nombre total d'heures au cours desquelles l'unité a été utilisée.

À toutes les 100 heures d'utilisation, un message défilera sur l'afficheur, indiquant à l'utilisateur de procéder à l'entretien du filtre à air, de l'huile pour moteur et de la bougie, et d'appuyer sur le bouton « Reset » (réinitialisation) et de le tenir enfoncé pendant cinq secondes afin de réinitialiser l'afficheur.

NOTE : Prendre garde d'appuyer uniquement sur le bouton de réinitialisation (Reset) et de le tenir enfoncé au moment de réinitialiser le panneau de maintenance.

PANNEAU DE COMMANDE DE LA GÉNÉRATRICE

Le panneau de commande stationnaire comporte une prise à verrouillage par rotation de 240 V, 30 A ainsi que des disjoncteurs.

UTILISATION DE LA GÉNÉRATRICE LORSQUE LE PANNEAU DE COMMANDE AMOVIBLE EST FIXÉ SUR UN MUR

Voir la figure 16.

Si le panneau a été installé dans un endroit éloigné :

- Éteindre le générateur.
- Brancher la génératrice au panneau de commande amovible au moyen de la prise à verrouillage par rotation et du connecteur de commande de 12 V c.c. du moteur se trouvant sur le cordon d'alimentation fourni.
- Utiliser **UNIQUEMENT** la génératrice à l'extérieur et loin des fenêtres, des portes et des événements ouverts. Ces ouvertures peuvent aspirer l'échappement de la génératrice.
- Brancher jusqu'à deux cordons prolongateurs supplémentaires de 762 cm (25 pi) au cordon d'alimentation de 762 cm (25 pi) fourni. La longueur totale de tous les cordons d'alimentations reliés ne doit pas excéder 22,86 m (75 pi), soit la longueur de trois cordons prolongateurs RDEC25.
- Brancher le cordon prolongateur à la génératrice.
- Faire démarrer le moteur tel que décrit à la section **Mise en marche du moteur**.
- Brancher des appareils à la génératrice et évaluer la charge de chacun de ces appareils à l'aide du panneau d'affichage du système de surveillance GenSmart™.

DÉPLACEMENT DU GÉNÉRATRICE

Voir la figure 17.

- Éteindre le générateur. Débrancher l'équipement qui est relié à la génératrice.
- Mettre le commutateur marche/arrêt en position d'arrêt.
- Laisser la machine refroidir pendant environ 30 minutes avant de la remiser.
- Pour sécurité, insérer le goupille pour obtenir la poignée avant de transporter.
- Le pied sur l'arrière du cadre, incliner la machine vers soi, jusqu'à ce qu'elle soit en équilibre sur les roues, puis rouler la machine à l'endroit désiré.

SOULEVER LA GÉNÉRATRICE

Voir la figure 18.

- Rabattre la poignée à la position abaissée. Ne jamais soulever ou porter ce produit par le guidon.

NOTE : Cet outil est lourd et exige que vous ne soyez jamais soulevé. Pour éviter des problèmes lombaires, garder les genoux pliés, soulever avec les jambes, pas avec le dos et demander de l'aide lorsque nécessaire.

UTILISATION

DÉMARRAGE ÉLECTRIQUE

Voir la figure 19.

Ce modèle de génératrice est offert avec des fonctions de démarrage électrique ou de démarrage à rappel. Évitez les démarrages prolongés car ils risquent d'endommager le moteur.

La pile fournie en est une de type rechargeable au plomb étanche d'une charge nominale de 12 volts pouvant fonctionner dans n'importe quelle position sans risque de fuite. Elle est conforme aux règlements relatifs aux piles hermétiques. Son format pratique est 30 pour cent plus compact que celui des piles traditionnelles.

NOTE : Les nouvelles génératrices sont expédiées avec les connexions de pile débranchées. Les bornes positive et négative doivent être branchées à la pile avant que la fonction de démarrage électrique puisse fonctionner.

Pour procéder à la connexion initiale d'une pile, consulter la section intitulée **Connexion d'une pile**.

ATTENTION :

Sur une surface à niveau, avec le moteur sur arrêt, vérifier le niveau d'huile avant chaque utilisation du générateur.

MISE EN MARCHÉ DU MOTEUR

Voir la figure 20.

NOTE : Si l'emplacement de générateur n'est pas à niveau, l'unité peut ne pas démarrer ou peut s'arrêter durant le fonctionnement.

- Débrancher toutes les charges du générateur.
- Ouvrir le robinet de carburant.
- Écarter droit le levier d'étranglement à la position START (DÉMARRAGE).

NOTE : Si le moteur est chaud ou que la température est supérieure à 10 °C (50 °F), écartez gauche le levier d'étranglement sur la position RUN (MARCHE). La batterie a été expédiée dans un état de charge faible. Par conséquent, il peut être nécessaire de la charger avant d'être en mesure de faire démarrer la génératrice avec la clé d'interrupteur. Il est possible de mettre en marche la génératrice en tirant sur le lanceur. Une fois que la génératrice a été mise en marche, la charge de la batterie s'effectue pendant que l'unité fonctionne.

- Tournez le clé de commutateur du moteur sur "ON".
- Tourner la clé de commutateur à la position « START » ou tirer la poignée de démarrage à rappel jusqu'à ce que le moteur démarre (6 fois maximum).

NOTE : Ne pas laisser la poignée repartir brusquement en arrière après le démarrage. La ramener doucement à sa place d'origine.

NOTE : La batterie a été expédiée dans un état de charge faible. Par conséquent, il peut être nécessaire de la charger avant d'être en mesure de faire démarrer la génératrice avec la clé d'interrupteur. Il est possible de mettre en marche la génératrice en tirant sur le lanceur. Une fois que la génératrice a été mise en marche, la charge de la batterie s'effectue pendant que l'unité fonctionne.

- Laisser le moteur tourner pendant 30 secondes et mettre le levier d'étranglement sur RUN (MARCHE).

ARRÊT DU MOTEUR

Voir la figure 20.

Pour arrêter le moteur dans des conditions de fonctionnement normales :

- Retirer toute charge du générateur.
- Fermer le clé d'interrupteur sur ARRÊT ou maintenir le bouton enfoncé jusqu'à ce que le moteur s'arrête.

NOTE : Le générateur peut être passé tourner la clef de commutateur à de ou en appuyant et tenir le commutateur de moteur sur le tableau de commande avant fixe.

- Mettre le robinet de carburant sur ARRÊT.

NOTE : S'il faut éteindre le moteur immédiatement, il est possible d'utiliser l'un ou l'autre des interrupteurs du moteur si le panneau de commande amovible est relié à l'unité. L'interrupteur de marche-arrêt provisoire sur le panneau de commande stationnaire peut servir d'interrupteur d'arrêt principal.



AVERTISSEMENT :

Utiliser exclusivement des pièces PowerStroke identiques à celles d'origine pour les réparations. L'utilisation de toute autre pièce peut créer une situation dangereuse ou endommager le produit.

Seules les pièces figurant sur la liste des pièces sont conçues pour être réparées ou remplacées par l'utilisateur. Toutes les autres pièces doivent être remplacées dans un centre de réparations agréé.

ENTRETIEN GÉNÉRAL

Conserver le générateur dans un environnement propre et sec sans exposition à la poussière, la saleté, l'humidité ou des vapeurs corrosives. Ne pas laisser les événements de refroidissement du générateur s'obstruer avec des feuilles, de la neige, etc.

Ne pas utiliser un tuyau de jardinage pour nettoyer le générateur. De l'eau pénétrant dans le circuit de carburant ou d'autres pièces internes de l'unité peut causer des problèmes réduisant la durée de vie du générateur.

Pour nettoyer l'unité :

- Utiliser une brosse à poils doux et/ou un aspirateur pour détacher et retirer la saleté et les débris.
- Nettoyer les événements à pression basse ne dépassant pas 25 psi.
- Essuyer les surfaces extérieures du générateur avec un chiffon humide.

FUSIBLE DE CHARGE

Voir la figure 21.

- Retirer la vis du couvercle latéral.
- Soulever le couvercle latéral et le retirer.
- Dévisser le porte-fusible pour accéder au fusible et au ressort.
- Insérer un nouveau fusible dans le trou et resserrer solidement le porte-fusible.
NOTE : Si le ressort est sorti du porte-fusible à l'ouverture, replacer le ressort à l'intérieur du porte-fusible avant de le fixer solidement.
- Réinstaller le couvercle latéral.
- Réinstaller la vis et la serrer solidement.

INSPECTION/NETTOYAGE DU FILTRE À AIR

Voir la figure 22.

- Desserrer les vis qui se trouvent sur le dessus et le dessous du couvercle du filtre à air. Retirer le couvercle et mettre de côté.
- Retirer les éléments du filtre à air.
- Si les éléments du filtre à air est sale, les nettoyer avec de l'eau savonneuse chaude. Rincer et laisser sécher.

- Appliquer une légère couche d'huile moteur sur les éléments puis l'essorer.
- Replacer le élément dans le filtre à air.
- Replacer le couvercle du filtre à air et resserrer les vis pour le fixer.

NOTE : Ne pas faire tourner le générateur sans le filtre à air. Ceci entraînerait une usure rapide du moteur.

VIDANGE DE LE LUBRIFIANT MOTEUR

Voir la figure 23.

- Retirer le bouchon/la jauge d'huile.
- Placer un récipient sous la vis de vidange d'huile pour recueillir le lubrifiant vidangé.
- Dévisser et retirer la vis de vidange d'huile.
- Laisser le lubrifiant se vidanger complètement.
- Réinstaller la vis de vidange d'huile et bien serrer.
- Remplir de lubrifiant en suivant les instructions de la section **Vérification/ajout de lubrifiant**.
- Réinstaller le bouchon/la jauge d'huile.

NOTE : Le lubrifiant usé doit être éliminé auprès d'un site approuvé. voir le détaillant d'huile local pour plus d'informations.

ENTRETIEN DE LA BOUGIE

Voir la figure 24.

L'écartement de la bougie doit être vérifié et la bougie doit être exempte de dépôts pour que le moteur fonctionne correctement. Pour vérifier :

- Retirer le bouchon de la bougie.
- Nettoyer la saleté autour de la base de la bougie.
- Retirer la bougie à l'aide de la clé fournie (non inclus).
- Inspecter la bougie pour vérifier qu'elle n'est pas endommagée et la nettoyer avec une brosse métallique avant de la réinstaller. Si l'isolateur est fissuré ou écaillé, remplacer la bougie.

NOTE : Pour le remplacement, utiliser la bougie recommandées suivantes ou des bougie équivalente : NGK BPR4ES.

- Mesurer l'écartement de la bougie. L'écartement correct est de 0,7-0,8 mm (0,028-0,031 po). Pour augmenter l'écartement, si nécessaire, courber avec précaution l'électrode de terre (supérieure). Pour réduire l'écartement, taper doucement l'électrode de terre sur une surface dure.
- Installer la bougie ; la visser à la main pour éviter de foirer le filetage.
- Serrer avec la clé pour comprimer la rondelle. Si la bougie est neuve, utiliser 1/2 tour pour comprimer la rondelle. Si elle est usée, utiliser 1/8 à 1/4 de tour pour comprimer la rondelle.

NOTE : Une bougie mal serrée devient très chaude et peut endommager le moteur.

ENTRETIEN

NETTOYAGE DE L'ORIFICE D'ÉCHAPPEMENT ET DU SILENCIEUX

Selon le type de carburant utilisé, le type et la quantité de lubrifiant utilisée et/ou les conditions d'utilisation, l'orifice d'échappement et le silencieux peuvent être obstrués par de la calamine. Si l'appareil fonctionnant avec de l'essence semble avoir perdu de la puissance, cette calamine doit être éliminée pour restaurer le fonctionnement normal. Il est vivement recommandé de confier ce travail à un technicien qualifié.

PARE-ÉTINCELLES

Voir la figure 25.

- Inspecter le pare-étincelles pour des fissures ou des trous. Le remplacer au besoin. Pour se procurer un pare-étincelles de remplacement, communiquer avec le service à la clientèle de RIDGID au 1-866-539-1710.
- Au besoin, utiliser une brosse pour enlever les dépôts de calamine sur l'écran du pare-étincelles.

VIDANGE DU RÉSERVOIR DE CARBURANT/ CARBURATEUR

Voir les figures 26 et 27.

Afin de prévenir les dépôts de gommages dans le circuit de carburant, vidanger le carburant du réservoir et du carburateur avant de le remiser.

VIDANGE DU RÉSERVOIR DE CARBURANT

- Tournez le clé de commutateur du moteur sur arrêt ou maintenir le bouton d'ARRÊT enfoncé jusqu'à ce que le moteur s'arrête.
- Mettre le contacteur du moteur sur arrêt (O).
- Retirer la conduite de carburant du petit robinet en serrant les extrémités de l'attache et en glissant la conduite pour la retirer.
- Installer une extrémité du tuyau de vidange sur le robinet et placer l'autre extrémité dans un récipient suffisamment large pour contenir le carburant vidangé.

- Mettre le robinet de carburant sur MARCHE.
- Pour mieux drainer le carburant, veuillez incliner légèrement l'unité vers le petit robinet de carburant légèrement [environ 25,4 mm (1 po)].
- Lorsque le carburant est vidangé du réservoir, fermer le robinet de carburant et réinstaller la conduite sur le petit robinet.

VIDANGE DU CARBURATEUR

- Mettre le clé de commutateur du moteur sur arrêt ou maintenir le bouton d'ARRÊT enfoncé pendant 3 secondes ou jusqu'à ce que le moteur s'arrête.
- Mettre le robinet de carburant sur ARRÊT.
- Placer un récipient adapté sous la vis de vidange du carburateur pour recueillir le carburant ; desserrer la vis.
- Laisser le carburant se vidanger complètement dans le récipient.
- Resserrer la vis de vidange.

NOTE : Consulter les directives d'élimination des déchets locales pour éliminer le carburant correctement.

TRANSPORT

Voir la figure 28.

- Mettre le clé de commutateur du moteur sur arrêt.
- Mettre le robinet de carburant sur ARRÊT.
- S'assurer que le moteur et l'échappement de l'unité sont froids.
- Pour sécurité, insérer le goupille pour obtenir la poignée avant de transporter.
- Garder l'unité de niveau pendant le transport afin d'éviter de renverser du carburant.
- Ne pas faire chuter, heurter ou placer l'unité sous de lourds objets.

ENTRETIEN

REMISAGE

Lors de la préparation du générateur pour le remisage, laisser l'appareil refroidir complètement puis suivre les instructions ci-dessous.

STORAGE TIME	PRIOR TO STORING
Moins d'2 mois	<ul style="list-style-type: none"> ■ Vidanger l'essence du réservoir et la disposer dans un récipient adapté selon les règlements nationaux et locaux en vigueur.
2 mois à 1 an	<ul style="list-style-type: none"> ■ Vidanger le carburant du carburateur. ■ Vidanger l'essence du réservoir et la disposer dans un récipient adapté selon les règlements nationaux et locaux en vigueur.
1 an ou plus	<ul style="list-style-type: none"> ■ Vidanger le carburant du carburateur. ■ Retirer la bougie. ■ Vidanger l'essence du réservoir et la disposer dans un récipient adapté selon les règlements nationaux et locaux en vigueur. ■ Placer une cuillère à soupe d'huile moteur dans le cylindre de la bougie. Faire tourner lentement le moteur avec le cordon pour répartir l'huile. ■ Réinstaller la bougie. ■ Vidanger l'huile moteur. <p>Après le remisage :</p> <ul style="list-style-type: none"> ■ Remplir d'essence fraîche.

CALENDRIER D'ENTRETIEN

	Avant chaque utilisation	Après 1 mois ou 20 heures de fonctionnement	Tous les 3 mois ou 50 heures de fonctionnement	Tous les 6 mois ou 100 heures de fonctionnement	Chaque année ou toutes les 300 heures de fonctionnement
Vérifier l'huile moteur	■				
Changer l'huile moteur		■		■	
Vérifier le filtre à air	■				
Nettoyer le filtre à air**			■		
Remplacer le filtre à air**					■
Vérifier/régler l'écartement de la bougie				■	
Remplacer la bougie					■
Vérifier/régler le ralenti					■
Vérifier/régler le jeu des soupapes*					■
Nettoyer le réservoir de carburant et le filtre*				■	
Vérifier le tube de carburant					■

* Ceci ne doit être effectué que par un centre de réparations agréé.

** Consulter le manuel du moteur pour prendre connaissance du calendrier d'entretien de cet article.

NOTE : L'entretien doit être effectué plus fréquemment lorsque le générateur est utilisé dans des zones poussiéreuses. Lorsque le générateur a dépassé les valeurs maximum indiquées dans le tableau, l'entretien doit continuer à être effectué selon les intervalles ou aux fréquences indiqués.

DÉPANNAGE

PROBLÈME	CAUSE POSSIBLE	SOLUTION
Le moteur ne démarre pas.	La clé de commutateur de moteur est sur ARRÊT. Pas de carburant. Niveau d'huile bas. Le robinet de carburant est FERMÉ. Bougie défectueuse, encrassée ou mal écartée. Le levier d'étranglement est en position RUN (MARCHE). Moteur remisé sans traitement ou vidange de l'essence, ou plein fait avec un mauvais carburant. Le filtre à carburant est sale.	Mettre la clé de commutateur de moteur sur marche. Remplir le réservoir de carburant. Vérifier le niveau d'huile moteur et faire l'appoint si nécessaire. Mettre le robinet de carburant sur MARCHE. Remplacer la bougie. Tirer le levier de l'étrangleur sur FERMÉ. Vidanger le carburant et le carburateur. Remplir d'essence fraîche. Contacter un centre de réparations agréé.
Moteur difficile à démarrer.	Eau dans le carburant. Étincelle de bougie faible.	Vidanger l'ensemble du système et remplir de carburant frais. Contacter un centre de réparations agréé.
Le moteur manque de puissance.	Filtre à air encrassé. Moteur remisé sans traitement ou vidange de l'essence, ou plein fait avec un mauvais carburant. Changer le filtre à carburant.	Vérifier le élément du filtre à air. Nettoyer ou remplacer selon le besoin. Vidanger le carburant et le carburateur. Remplir d'essence fraîche. Nettoyer ou remplacer selon le besoin.
La prise c.a. ne fonctionne pas.	Disjoncteur déclenché. L'appareil branché est défectueux.	Enclencher le disjoncteur c.a. Réinitialiser le disjoncteur de fuite de terre. Essayer un article différent.
Le générateur émet un cognement ou un cliquettement.	Un cognement ou un cliquettement sous une lourde charge est normal. Cependant, s'il a lieu sous une charge normale à un régime moteur régulier, le problème peut provenir de la marque de carburant utilisée.	Choisir une autre marque et s'assurer que l'indice d'octane est supérieur ou égal à 86. Si le problème continue, contacter le centre de réparations agréé le plus proche.

Si le problème persiste après avoir essayé les solutions ci-dessus, contacter le centre de réparations agréé le plus proche pour obtenir de l'aide.

Les symptômes suivants peuvent indiquer des problèmes affectant le niveau d'émissions de l'unité :

- Démarrage difficile ou calage après le démarrage
- Ralenti irrégulier
- Ratés ou retours de flamme sous charge
- Post-combustion (retours de flamme)
- Fumée d'échappement noire ou consommation de carburant élevée

En cas de présence d'un de ces symptômes, faire inspecter l'unité et la faire réparer par le centre de réparations agréé le plus proche.

GARANTIE

RIDGID® GÉNÉRATEUR GARANTIE LIMITÉE DE SERVICE DE 3 ANS

Une preuve d'achat doit être présentée pour toute demande de réparation sous garantie.

Ce produit est fabriqué par One World Technologies, Inc., sous licence de marque de RIDGID, Inc. Toutes les communications de garantie doivent être adressées à One World Technologies, Inc., aux soins de : Service technique des outils motorisés à main et d'établi RIDGID®, au 1-866-539-1710 (appel gratuit).

CE QUI EST COUVERT PAR LA GARANTIE LIMITÉE DE TROIS ANS

Ce générateur RIDGID® est garanti, au seul acheteur d'origine, être exempt de vice du matériau et de fabrication sous réserve de certaines exceptions et limitation indiquées ci-dessous, pendant une période de 3 ans après la date d'achat.

Les garanties pour d'autres produits de RIDGID® peuvent changer.

CE QUI N'EST PAS COUVERT

Cette garantie ne couvre pas les dommages utilisations incorrectes, altérations, abusives, l'usure normale et déchire, une carence d'entretien, accidents ou être causés par des réparations ou des tentatives de réparation par quiconque autre que le personnel agréé par RIDGID®.

Cette garantie exclut la réparation dans les situations suivantes :

- La vie utile de la génératrice a diminué en raison d'une utilisation normale; usure normale de certains éléments (notamment les piles, les panneaux de commande fixes et amovibles, y compris les cordons correspondants et les fiches, les écrans numériques, les pneus, les prises et les disjoncteurs, les interrupteurs, et les cordons prolongateurs, le cas échéant);
- Le produit n'est pas installé, entretenu et utilisé conformément aux instructions et aux recommandations de l'entreprise qui sont décrites dans le manuel d'utilisation du produit;
- Le produit est utilisé aux fins de location
- il est endommagé en raison du gel, de l'exposition à l'eau, de la rouille, de la corrosion, de la dilatation thermique, du feu, d'une chute, ou d'une utilisation inadéquate.

Cette garantie ne couvre pas les frais de transport ni les coûts de main-d'œuvre relatifs à l'inspection et aux essais de générateur déterminés ne pas être une réclamation valide de garantie.

Moteur essence – Garantie : Le moteur essence de ce générateur est couvert séparément par la garantie du fabricant du moteur et est entretenu par le réseau de centres d'entretien autorisé du fabricant du moteur. Ridgid, Inc.

et One World Technologies, Inc., en démentez et toutes les garanties, explicites ou implicites, pour ce moteur essence.

RIDGID, INC., ET ONE WORLD TECHNOLOGIES, INC. NE FONT AUCUNE AUTRE GARANTIE, REPRÉSENTATION OU PROMESSE CONCERNANT LA QUALITÉ ET LES PERFORMANCES DE SES OUTILS MOTORISÉS, AUTRES QUE QUE CELLES EXPRESSÉMENT INDIQUÉES DANS LE PRÉSENT DOCUMENT.

RÉPARATIONS SOUS GARANTIE

Pour toute réparation sous garantie, cet générateur RIDGID® devra être retourné, en port payé, à un centre de réparations agréé RIDGID® nettoyeur haute pression. L'adresse du centre de réparation agréé le plus proche peut être obtenue en appelant au **1-866-539-1710 (appel gratuit)**, ou en accédant au site Internet RIDGID® : **www.ridgid.com**. Le centre de réparation agréé corrigera tout défaut de fabrication et réparera ou remplacera (à notre discrétion) gratuitement toute pièce défectueuse.

AUTRES LIMITATIONS

Sous réserve des lois en vigueur, toutes les garanties implicites sont exclues, y compris les GARANTIES DE VALEUR MARCHANDE ou D'ADÉQUATION À UN USAGE PARTICULIER. Toutes les garanties implicites, y compris les garanties de valeur marchande ou d'adéquation à un usage particulier ne pouvant pas être exclues en raison des lois en vigueur, sont limitées à une durée de trois ans, à compter de la date d'achat. One World Technologies, Inc., et RIDGID®, Inc., déclinent toute responsabilité pour les dommages directs ou indirects. Certains états et provinces ne permettant pas de limitation sur la durée des garanties implicites, et/ou l'exclusion ou la limitation des dommages directs ou indirects, les restrictions ci-dessus peuvent ne pas être applicables. Cette garantie donne au consommateur des droits spécifiques, et celui-ci peut bénéficier d'autres droits, qui varient selon les états ou provinces.

Cette garantie s'applique aux produits vendus aux États-Unis, au Canada et au Mexique uniquement.

Veuillez consulter le site web de RIDGID's , **www.ridgid.com**, ou appeler le au **1-866-539-1710 (appel gratuit)** pour trouver le site de fabricant-autorisée entretien le plus proche pour toute réparation, au titre de la garantie ou non, de ce générateur.

One World Technologies, Inc.

P.O. Box 321, Highway 8
Pickens, SC 219671

GARANTIE LIMITÉE DE TROIS ANS SUR LE MOTEUR

Garantie limitée de Subaru Robin

(Applicable aux moteurs achetés de Robin America à Wood Dale, IL, après le 1 avril 2008)

Robin America, Inc., une division de Fuji Heavy Industries, Ltd. (désigné ci-après « Subaru Robin »), garantit à l'acheteur original que chaque nouveau moteur qui est vendu est exempt de tout vice de matériau ou de fabrication pendant la période indiquée ci-dessous (à partir de la date d'achat) dans des conditions normales d'utilisation et sous condition d'un entretien normal. Dans le cadre de cette garantie limitée, Subaru Robin contracte une obligation envers sa clientèle qui se limite à la réparation ou au remplacement (au choix de l'entreprise) de toute pièce jugée, après évaluation de Subaru Robin, comme présentant des vices de matériau ou de fabrication. Toutefois, aux termes de cette garantie, l'obligation imposée à Subaru Robin est limitée par une condition selon laquelle l'entreprise, ou l'un de ses distributeurs ou de ses centres de réparations agréés autorisés à procéder à l'entretien du moteur, doit recevoir la réclamation au titre de la garantie ou la pièce ou les pièces défectueuses en temps opportun, avec les frais de transport payés au préalable, pour effectuer une inspection et une réparation. Toutes les demandes de réparation qui respectent les conditions de la garantie limitée doivent être traitées par Subaru Robin ou par l'un de ses distributeurs ou de ses centres de réparations agréés.

PÉRIODES DE GARANTIE :

Moteurs à essence à quatre temps, refroidis à l'air de Subaru Robin – garantie limitée de 3 ANS (séries EX / EH et SP 4.3ch ou plus grand)

Tel que mentionné précédemment, la réparation ou le remplacement de toute pièce en application de cette garantie limitée ne doit pas s'étendre au delà des termes d'origine de la garantie sur le moteur.

LIMITES ET EXCLUSIONS : Cette garantie limitée ne s'applique pas aux éléments suivants :

Un vilebrequin courbé ou brisé, ou tout dommage résultant d'une vibration causée par la courbure ou le bris du vilebrequin. Tout dommage attribuable à des boulons de montage desserrés sur le moteur, à l'utilisation d'accessoires inadéquats ou déséquilibrés, ou à l'installation de lames sur le vilebrequin.

Les réparations requises en raison d'un entreposage prolongé, ce qui inclut les dommages causés par le carburant usé ou contaminé contenu dans le réservoir, la canalisation d'essence et le carburateur; les valves poisseuses, et la corrosion et la rouille des pièces du moteur.

Les réparations requises en raison d'une surchauffe (le plus souvent causée lorsqu'un volant, un ventilateur, une entrée d'air, une ailette de refroidissement ou une grille de prise d'air sont surchargés, bouchés, manquants ou endommagés).

L'usure liée à la poussière ou au sable et causée par l'entretien inadéquat du purificateur d'air (se traduisant le plus souvent par l'usure des pistons, des segments de piston, des cylindres, des soupapes, des guides de soupape, du carburateur ou d'autres composants internes).

Les pièces brisées ou rayées en raison du bas niveau de lubrifiant ou de l'utilisation de lubrifiant usagée ou de calibre inadéquat.

La mise au point du moteur ou tout entretien normal, y compris, mais non de façon limitative, le réglage des soupapes, le remplacement normal des pièces, du carburant, de le lubrifiant, etc.

Toute défectuosité du moteur attribuable à la négligence, à une mauvaise utilisation, à un accident ou à l'emballement.

Toute installation, réparation ou modification du moteur qui, selon Subaru Robin, nuit à son rendement ou à sa fiabilité.

Toute installation ou réparation du moteur effectuée à l'aide de pièces ou de composants qui n'ont pas été fabriqués ou approuvés par Subaru Robin. L'entreprise est libre de juger si les pièces ou les composants en question nuisent au rendement ou à la fiabilité du moteur.

Toute situation où un composant ou un moteur est totalement usé en dépit d'une utilisation normale.

Le client doit assumer tous les frais de transport liés aux travaux relatifs aux garanties.

Subaru Robin se réserve le droit de modifier ou d'améliorer tous les moteurs et les pièces sans contracter l'obligation de modifier ou de remplacer les moteurs et les pièces vendus avant la mise en oeuvre de ces modifications ou de ces améliorations.

Nul n'est autorisé à offrir une garantie supplémentaire ou à assumer d'autres obligations au nom de Subaru Robin, à moins qu'une preuve écrite signée par un agent de l'entreprise ne soit présentée.

Certains états permettent pas d'exonération ou de réserve pour ce qui est de la couverture des dommages directs ou consécutifs et de la durée de toute garantie implicite; il se peut donc que l'exonération décrite précédemment ne puisse s'appliquer. La présente garantie donne au consommateur des droits spécifiques, et celui-ci peut bénéficier d'autres droits, qui varient selon les états ou provinces.

LA PRÉSENTE GARANTIE AINSI QUE L'OBLIGATION DE SUBARU ROBIN DÉCRITE AUX PRÉSENTES REMPLACENT TOUTES LES AUTRES GARANTIES OU OBLIGATIONS, EXPRESSES OU IMPLICITES, CE QUI INCLUT TOUTE GARANTIE DE QUALITÉ MARCHANDE OU DE QUALITÉ DE CONVENANCE À DES FINS PARTICULIÈRES. AUCUNE GARANTIE NE VA AU DELÀ DE LA DESCRIPTION FOURNIE AUX PRÉSENTES. SUBARU ROBIN NE PEUT EN AUCUN CAS ÊTRE TENU RESPONSABLE POUR TOUT DOMMAGE DIRECT OU INDIRECT.

GARANTIE

L'ÉNONCÉ DE CALIFORNIA AIR RESOURCES BOARD (CARB) QUI SUIT, S'APPLIQUE SEULEMENT AUX NUMÉROS DE MODÈLES QUI DOIVENT SE CONFORMER AUX EXIGENCES DE CARB.

GARANTIE RELATIVE AU CONTRÔLE DES VAPEURS DE CARBURANT

Votre machine à essence RIDGID neuve est conforme aux réglementations antipollution applicables de l'état de Californie, d'Environnement Canada et de l'EPA.

La partie relative aux vapeurs de carburant de cette garantie, telle que décrite ci-dessous, est fournie par One World Technologies, Inc. Une couverture de garantie antipollution pour les autres composants relatifs au système d'émission est fournie par le fabricant du moteur, tel que déclaré dans la garantie relative au système de contrôle des émissions incluse avec ce produit. Ce produit inclut également une garantie non limitée sur les composants du système d'émission, tel que décrit ailleurs dans ce manuel d'utilisation.

GARANTIE RELATIVE AU CONTRÔLE DES VAPEURS DE CARBURANT

GARANTIE RELATIVE AU CONTRÔLE DES VAPEURS DE CARBURANT DE L'ÉTAT DE CALIFORNIE VOS DROITS ET OBLIGATIONS DANS LE CADRE DE LA GARANTIE

Le California Air Resources Board et One World Technologies, Inc. sont heureux de vous expliquer la garantie portant sur le système de contrôle des émissions de vapeur de carburant du groupe année modèle 2009. Les moteurs de petite cylindrée neufs utilisés en Californie, doivent être conçus, construits et équipés conformément aux strictes réglementations antipollution de cet état. One World Technologies, Inc. doit garantir le système de contrôle des émissions de vapeur de carburant sur le groupe pour la période indiquée ci-dessus, sous réserve qu'il n'ait pas fait l'objet d'un usage abusif ou d'un manque d'entretien. Le système de contrôle des émissions peut inclure des pièces telles que : carburateurs, réservoirs de carburant, conduites de carburant, bouchon de carburant, cartouches, filtres, tuyaux de vapeurs, colliers, connecteurs et autres composants associés. Pour les moteurs de 80 cm³ ou moins, seul le réservoir de carburant est sujet aux exigences de garantie du contrôle des émissions de vapeurs de carburant de cette section.

DURÉE DE LA GARANTIE DU FABRICANT :

Le système de contrôle des émissions de vapeurs de carburant est garanti pour deux ans. Toute pièce de l'équipement se rapportant au système d'émissions de vapeurs de carburant s'avérant défectueuse sera réparée ou remplacée par One World Technologies, Inc.

RESPONSABILITÉS DU PROPRIÉTAIRE DANS LE CADRE DE LA GARANTIE :

- Le propriétaire de ce groupe est tenu d'effectuer les entretiens nécessaires, indiqués dans le manuel du propriétaire. One World Technologies, Inc., recommande de conserver tous les reçus relatifs à l'entretien du groupe. Toutefois, One World Technologies, Inc., ne peut pas refuser la couverture de la garantie pour l'unique raison du manque de reçus ou parce que tous les entretiens prévus n'ont pas été effectués.
- Le propriétaire du groupe doit toutefois être averti que les réparations couvertes par la garantie peuvent être refusées par One World Technologies, Inc., si la défaillance du groupe ou d'une pièce est due à un usage abusif, la négligence, un manque d'entretien ou des modifications non approuvées.
- Il est de la responsabilité du propriétaire de présenter le groupe à un centre de distribution et ou d'entretien One World Technologies, Inc., dès que le problème apparaît. Les réparations sous garantie seront effectuées dans un délai raisonnable, ne dépassant pas 30 jours.

Pour toute question concernant la couverture de garantie, contacter One World Technologies, Inc., au 1-866-539-1710.

EXIGENCES CONCERNANT LES RÉPARATIONS SOUS GARANTIE :

- (a) La période de garantie commence à la date de livraison de l'équipement au premier acheteur au détail.
- (b) Couverture de garantie générale des émissions de vapeurs de carburant. Il doit être garanti à l'acheteur original et à tout propriétaire suivant de cet équipement que le système de contrôle des émissions de vapeurs de carburant, à l'installation, a été :
 - (1) conçu, fabriqué et équipé conformément à toutes les normes applicables, et
 - (2) qu'il est exempt de vices de matériaux ou de fabrication causant la défaillance d'une pièce sous garantie pendant une période de deux ans.

(c) La garantie sur les pièces relatives aux émissions de vapeurs de carburant doit être interprétée de la façon suivante :

- (1) Toute pièce de garantie qui n'est pas prévue pour un remplacement dans le cadre de l'entretien requis dans les instructions écrites doit être garantie pour la durée de garantie définie dans la sous-section (b)(2). Si une telle pièce connaît une défaillance durant la période de garantie, elle doit être réparée ou remplacée par le fabricant offrant la garantie. Une telle pièce réparée ou remplacée dans le cadre de la garantie doit être garantie pour une durée non inférieure à la période de garantie restante.
- (2) Toute pièce de garantie qui est uniquement prévue pour une inspection régulière dans les instructions écrites doit être garantie pour la période de garantie définie dans la sous-section (b)(2). Une déclaration dans de telles instructions écrites relative « au remplacement ou à la réparation selon le besoin » ne réduit pas la durée de la couverture de garantie. Une telle pièce réparée ou remplacée dans le cadre de la garantie doit être garantie pour une durée non inférieure à la période de garantie restante.
- (3) Toute pièce de garantie qui est prévue pour un remplacement dans le cadre de l'entretien requis dans les instructions écrites doit être garantie pour la période indiquée avant le premier remplacement prévu de la pièce. Si la pièce connaît une défaillance avant le premier remplacement prévu, elle doit être réparée ou remplacée par le fabricant offrant la garantie. Une telle pièce réparée ou remplacée dans le cadre de la garantie doit être garantie pour une durée non inférieure à la période restante indiquée avant le premier remplacement prévu de la pièce.
- (4) La réparation ou le remplacement de toute pièce garantie dans le cadre de la présente garantie doivent être effectués sans frais pour le propriétaire à un centre de réparation sous garantie.
- (5) Nonobstant les dispositions de la sous-section (4) ci-dessus, les services et réparations dans le cadre de la garantie doivent être effectués auprès de centres de distributions possédant une franchise pour l'entretien de l'équipement en question.
- (6) Les travaux de diagnostic permettant de déterminer qu'une pièce sous garantie est défectueuse doivent être gratuits pour le propriétaire tant qu'ils ont été effectués auprès d'un centre de réparation sous garantie.
- (7) Durant toute la période de la garantie du système de contrôle des émissions de vapeurs de carburant indiquée dans la sous-section (b) (2), le fabricant offrant la garantie doit maintenir un approvisionnement en pièces sous garantie suffisant pour répondre à la demande prévue de ces pièces.
- (8) Des pièces de remplacement approuvées par le fabricant doivent être utilisées lors de tous travaux d'entretien ou de réparations dans le cadre de la garantie et doivent être fournies sans frais pour le propriétaire. Une telle utilisation ne réduira pas les obligations dans le cadre de la garantie du fabricant offrant la garantie.
- (9) L'utilisation de toute pièce ajoutée ou modifiée peut être une cause d'annulation de la réclamation de garantie conformément à cet article. Le fabricant offrant la garantie n'est pas tenu dans le cadre de cet article de garantir les défaillances de pièces sous garantie causées par l'ajout ou une modification de pièces.
- (10) Le fabricant offrant la garantie doit fournir tout document décrivant les procédures et polices de garantie dans les cinq jours ouvrables suivant la demande du Air Resources Board.

LISTE DES PIÈCES BÉNÉFICIAIRE DE LA GARANTIE RELATIVE AUX ÉMISSIONS :

- 1) Réservoir de carburant
- 2) Bouchon de carburant
- 3) Tuyaux des carburant
- 4) Boîte de carbone
- 5) Tuyaux des vapeur
- 6) Colliers de la tuyau
- 7) Connecteurs de la tuyau
- 8) Clapet antiretour de vapeur/carburant

Les instructions écrites pour l'entretien et l'utilisation du système de contrôle des émissions de vapeur de carburant par le propriétaire sont fournies avec chaque groupe neuf.

ÍNDICE DE CONTENIDO

■ Introduction	2
■ Instrucciones de seguridad importantes.....	3-4
■ Reglas de seguridad específicas	4
■ Símbolos	5-7
■ Aspectos eléctricos.....	7-9
■ Características	10
■ Armado.....	11-12
■ Funcionamiento.....	13-16
■ Mantenimiento.....	17-19
■ Corrección de problemas.....	20
■ Garantía.....	21-23
■ Pedidos de piezas / Servicio.....	Pág. posterior

INTRODUCCIÓN

Este producto ofrece numerosas características que hacen el uso del mismo más placentero y agradable. En el diseño de este producto se ha conferido prioridad a la seguridad, al desempeño y la fiabilidad, por lo cual se facilita su manejo y mantenimiento.

PELIGRO:

CONEXIÓN A TIERRA DEL GENERADOR

Para reducir el riesgo de descarga o electrocución, el generador debe conectarse a tierra correctamente. Siempre debe utilizarse la tuerca y el terminal de conexión a tierra del bastidor para conectar el generador a una fuente apropiada de conexión a tierra. La conexión a tierra debe realizarse con alambre calibre N° 8. Conecte el terminal del alambre de conexión a tierra entre la arandela y la tuerca, y apriete firmemente la tuerca. Conecte el otro extremo del alambre firmemente a una fuente apropiada de conexión a tierra.

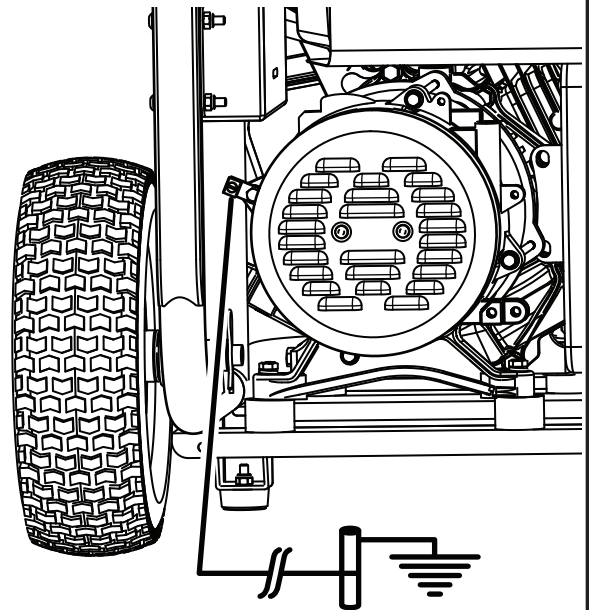
El Código Eléctrico Nacional especifica varias maneras prácticas para establecer una buena fuente de conexión a tierra. Si se utiliza una barra de acero o de hierro, éste debe ser de 15,9 mm (5/8 pulg.) de diámetro, y si se utiliza una barra no ferrosa, ésta debe ser de 13 mm (1/2 pulg.) de diámetro como mínimo y estar listada como material adecuado para conexión a tierra. Hínque la barra o tubo hasta una profundidad de 2,44 m (8 pies). Si se encuentra roca sólida a menos de 1,22 m (4 pies) de profundidad, entierre la barra o tubo en una zanja.

Todas las herramientas eléctricas y aparatos alimentados por este generador deben conectarse apropiadamente a tierra mediante el uso de un tercer alambre o tener un diseño con “doble aislamiento”.

Se recomienda:

1. Usar dispositivos eléctricos con clavija de tres patillas conectada a tierra.
2. Para asegurar la continuidad de la protección a tierra del generador al dispositivo, utilice un cordón de extensión con un receptáculo de tres orificios en un extremo y una clavija de tres patillas en el otro.

Revise y cumpla con todas las reglas federales, estatales y locales relevantes en relación con las especificaciones de conexión a tierra. Consulte a un electricista calificado o técnico de servicio si no ha comprendido completamente las instrucciones de conexión a tierra o si no está seguro si el generador está conectado a tierra correctamente.



INSTRUCCIONES DE SEGURIDAD IMPORTANTES

PELIGRO:

Monóxido de carbono. Usar un generador en el interior LO MATARÁ EN POCOS MINUTOS.

Los gases de escape del generador contienen niveles altos de monóxido de carbono (CO), un gas venenoso que no puede verse ni olerse. Si puede oler los gases de escape del generador, está respirando CO. Pero incluso si no puede oler los gases de escape, es posible que esté respirando CO.

- Nunca use un generador dentro de su hogar, garaje, sótano, ni demás espacios parcialmente encerrados. En dichos espacios, pueden acumularse niveles mortales de monóxido de carbono. Usar un ventilador o abrir puertas y ventanas NO proporciona suficiente aire fresco.
- SÓLO utilice el generador al aire libre y lejos de ventanas, puertas y respiraderos abiertos. Estas aberturas pueden atraer los gases de escape del generador.

Incluso si utiliza el generador correctamente, el CO puede ingresar en su hogar. SIEMPRE utilice una alarma de CO de pilas o con pilas de respaldo en su hogar.

Si comienza a sentirse descompuesto, mareado o débil luego de que el generador estuvo funcionando, trasládese adonde haya aire fresco INMEDIATAMENTE. Vea a un doctor. Puede sufrir intoxicación por monóxido de carbono.

ADVERTENCIA:

Lea y comprenda todas las instrucciones. El incumplimiento de cualquiera de las instrucciones siguientes puede causar electrocución, incendio o intoxicación por monóxido de carbono, lo cual puede causar la muerte o lesiones graves.

ADVERTENCIA:

El Reglamento Nacional de Electricidad exige que el generador esté conectado a una tierra aprobada. Antes de utilizar la terminal de tierra, consulte a un electricista calificado, inspector de instalaciones eléctricas u organismo gubernamental de la localidad en lo referente a las reglas y disposiciones relacionadas con el uso deseado del generador.

GUARDE ESTAS INSTRUCCIONES

Este manual contiene instrucciones importantes para este producto que debe ser seguido durante instalación y mantenimiento del generador y baterías.

- No permita que utilicen esta unidad niños ni personas carentes de la debida instrucción para su manejo.

- Nunca arranque ni accione el motor dentro de un área total o parcialmente cerrada. La inhalación de las emanaciones del escape puede ser mortal.
- Al utilizar esta herramienta, póngase protección para los ojos con la marca de cumplimiento de las normas ANSI Z87.1, así como protección para los oídos.
- Mantenga a todos los circunstantes, niños y animales por lo menos a 3 m (10 pies) de distancia.
- Use botas o zapatos robustos y secos. No utilice la unidad estando descalzo.
- No utilice este generador cuando se encuentre fatigado, enfermo o bajo los efectos de drogas, alcohol o medicamentos.
- Mantenga todas las partes del cuerpo alejadas de toda pieza móvil y superficie caliente de la unidad.
- No toque cables ni receptáculos desprovistos de aislamiento.
- No utilice el generador con cordones de corriente gastados, deshilachados, pelados o dañados de cualquier forma.
- Antes de guardar la unidad, deje que se enfríe el motor y retire el combustible de la unidad.
- No utilice or guarde el generador en la lluvia, nieve o tiempo húmedo.
- Guarde el generador en un lugar bien ventilado y con el tanque de combustible vacío. El combustible no se debe guardar cerca del generador.
- Antes de transportar la unidad en un vehículo, vacíe el tanque de combustible, cierre la válvula del combustible e inmovilice aquélla.
- Deje enfriar el motor durante cinco minutos antes de reabastecerlo de gasolina.
- Para reducir el riesgo de incendio o de lesiones por quemadura, maneje con cuidado el combustible. Es sumamente inflamable.
- No fume mientras esté mezclando el combustible o reabasteciendo el tanque.
- Almacene el combustible en un recipiente aprobado para gasolina.
- Coloque la unidad sobre el piso nivelado, apague el motor, y deje que se enfríe antes de reabastecerlo de combustible.
- Afloje la tapa del tanque de combustible para aliviar la presión y para evitar que se escape combustible por la tapa.
- Después de reabastecer de combustible la unidad ponga la tapa y apriétela firmemente.
- Limpie todo el combustible que se haya derramado de la unidad.
- Nunca intente en ninguna circunstancia eliminar el combustible derramado quemándolo.
- Los generadores vibran durante el uso normal. Durante y después del uso del generador, inspeccione el generador, así como los cordones de extensión y los cordones de corriente conectados a éste, para ver si tienen daños causados por la vibración. Deben repararse o reemplazarse los artículos dañados, según sea necesario. No use enchufes ni cordones que muestren señales de daño, como roturas o agrietamientos en el aislamiento, o daño en las espigas.

INSTRUCCIONES DE SEGURIDAD IMPORTANTES

- Los generadores fijos instalados de manera permanente son la mejor alternativa para abastecer de electricidad al hogar durante los cortes de energía. Incluso los generadores portátiles que están conectados correctamente pueden sobrecargarse. De esta manera, los componentes del generador pueden recalentarse o exigirse demasiado, lo que podría producir una falla en el generador.
- Use únicamente repuestos y accesorios autorizados y siga las instrucciones descritas en la sección de *Mantenimiento* de este

manual. El empleo de piezas no autorizadas o el incumplimiento de las instrucciones de mantenimiento puede significar un riesgo de descarga eléctrica o de lesiones.

- Mantenga la unidad según las instrucciones de mantenimiento señaladas en este manual del operador.
- Inspeccione cada vez la unidad antes de usarla para ver si tiene tornillos flojos, fugas de combustible, etc. Reemplace toda pieza dañada.

REGLAS DE SEGURIDAD ESPECÍFICAS



ADVERTENCIA:




Cuando este generador se utiliza para abastecer el sistema de cableado de un edificio: un electricista calificado debe instalar el generador, que debe conectarse a un interruptor de transferencia como un sistema derivado independiente, de conformidad con el Reglamento Nacional de Electricidad (NFPA 70). El generador se conectará a través de un interruptor de transferencia que controla todos los conductores, excepto el conductor de conexión a tierra del equipo. El bastidor del generador debe conectarse a un electrodo de conexión a tierra aprobado. Si no se aísla el generador de las líneas de alto voltaje puede causarse la muerte o lesiones a los trabajadores de dichas líneas.

- Las emanaciones del escape contienen monóxido de carbono, un gas tóxico incoloro e inodoro. La inhalación de las emanaciones del escape puede causar la pérdida de la conciencia e incluso la muerte. Si se utiliza la unidad en un área total o parcialmente cerrada, el aire puede contener una cantidad peligrosa de monóxido de carbono. Para evitar la acumulación de las emanaciones del escape, siempre asegúrese de que haya ventilación suficiente.
- Siempre use un detector de monóxido de carbono de baterías al utilizar el generador. Si comienza a sentirse mal, mareado o débil al estar utilizando el generador, apáguelo y respire aire fresco de inmediato. Vea a un doctor. Puede sufrir intoxicación por monóxido de carbono.
- Coloque el generador en una superficie estable horizontal.
- Utilice la unidad al aire libre en un área bien ventilada e iluminada, aislada de las áreas de trabajo para evitar la interferencia del ruido.
- Si se utiliza el generador en condiciones húmedas, puede causarse una electrocución. Mantenga seca la unidad.
- Mantenga el generador a una distancia mínima de 910 mm (3 pies) de todo tipo de material combustible.
- No utilice el generador cerca de materiales peligrosos.
- No utilice el generador en una estación de abastecimiento de gasolina o gas natural.
- No toque el silenciador ni el cilindro durante el funcionamiento de la unidad ni inmediatamente después; están CALIENTES y causan lesiones por quemadura.
- Este generador tiene un punto neutro conectado a tierra. Esto significa que el conductor neutro está conectado por vías eléctricas al marco de la máquina.
- No conecte la unidad al sistema eléctrico de un edificio a menos que un electricista calificado haya instalado debidamente un interruptor de transferencia.







- No permita que se derrame el tanque del generador al abastecerlo de gasolina. Llénelo hasta una altura de 25,4 mm (1 pulg.) abajo del cuello del tanque de gasolina para permitir la expansión del combustible. Revise el orificio de ventilación del interior del tanque de combustible para ver si tiene basura. No bloquee el respiradero.
- No fume mientras abastece de gasolina el generador.
- Apague el motor y déjelo enfriar por completo antes de agregar gasolina o lubricante al generador.
- No retire la varilla de nivel de aceite ni la tapa del tanque del combustible mientras esté funcionando el motor.
- Preste atención en particular a todas las etiquetas de seguridad adheridas al generador.
- En todo momento mantenga a los niños a una distancia mínima de 3 m (10 pies) del generador.
- La unidad funciona mejor a una temperatura entre -5 y 40 °C (23 y 104 °F) con una humedad relativa de 90% o menos.
- Es necesario modificar el generador si va a utilizarse **siempre** a una altitud superior a 1524 metros (5000 pies). Comuníquese con el centro de servicio autorizado de su preferencia si necesita más información y para que realicen tales modificaciones.
- El requerimiento de voltaje y frecuencia operativa de todos los equipos electrónicos debe comprobarse antes de enchufarlos a este generador. Pueden ocurrir daños si el equipo no está diseñado para operar dentro de una variación de voltaje de +/-10% y una variación de frecuencia de +/-3 hz de los valores nominales que aparecen en la placa de identificación del generador. Para reducir el riesgo de daños, siempre tenga una carga adicional enchufada al generador en caso de usarse equipos de estado sólido (tales como un aparato de televisión). También podría resultar necesario un acondicionador de la línea eléctrica para algunas aplicaciones; por ejemplo, con una computadora. También podría resultar necesario un acondicionador de la línea eléctrica para algunas aplicaciones de equipo de estado sólido.
- Cuando no esté utilizándose el paquete de baterías, manténgalo lejos de otros objetos metálicos como clips, monedas, llaves, clavos, tornillos y otros objetos metálicos pequeños que puedan establecer conexión entre ambas terminales. Establecer una conexión directa entre las dos terminales de las baterías puede causar quemaduras o incendios.
- Guarde estas instrucciones. Consúltelas con frecuencia y empléelas para instruir a otras personas que puedan utilizar esta producto. Si presta a alguien esta producto, facilítele también las instrucciones.

SÍMBOLOS

Las siguientes palabras de señalización y sus significados tienen el objeto de explicar los niveles de riesgo relacionados con este producto.






SÍMBOLO	SEÑAL	SIGNIFICADO
	PELIGRO:	Indica una situación peligrosa inminente, la cual, si no se evita, causará lesiones graves o mortales.
	ADVERTENCIA:	Indica una situación peligrosa posible, la cual, si no se evita, podría causar lesiones graves o mortales.
	PRECAUCIÓN:	Indica una situación peligrosa posible, la cual, si no se evita, podría causar lesiones menores o leves.
	PRECAUCIÓN:	(Sin el símbolo de alerta de seguridad) Indica una situación que puede producir daños materiales.

Es posible que se empleen en este producto algunos de los siguientes símbolos. Le suplicamos estudiarlos y aprender su significado. Una correcta interpretación de estos símbolos le permitirá utilizar mejor y de manera más segura el producto.

SÍMBOLO	NOMBRE	DENOMINACIÓN / EXPLICACIÓN
	Alerta de seguridad	Indica un peligro posible de lesiones personales.
V	Voltios	Voltaje
A	Amperios	Corriente
Hz	Hertz	Frecuencia (ciclos por segundo)
W	Watt	Potencia
hrs	Horas	Tiempo
gal	Galón	Volumen
qt	Cuarto	Volumen
	Alerta de condiciones húmedas	No exponga la unidad a la lluvia ni la use en lugares húmedos.
	Lea el manual del operador	Para reducir el riesgo de lesiones, el usuario debe leer y comprender el manual del operador antes de usar este producto.
	Protección ocular	Siempre póngase protección ocular con la marca de cumplimiento de la norma ANSI Z87.1.
	Descarga eléctrica	Si no se usa la unidad en condiciones secas y no se observan prácticas seguras de trabajo, puede producirse una descarga eléctrica.
	Emanaciones tóxicas	Con el funcionamiento del generador se emite monóxido de carbono, un gas tóxico incoloro e inodoro. Si se inhala monóxido de carbono puede causarse náusea, desmayo o la muerte.

SÍMBOLOS

Es posible que se empleen en este producto algunos de los siguientes símbolos. Le suplicamos estudiarlos y aprender su significado. Una correcta interpretación de estos símbolos le permitirá utilizar mejor y de manera más segura el producto.

SÍMBOLO	NOMBRE	DENOMINACIÓN / EXPLICACIÓN
	Fuego / Explosión	El combustible y los vapores del mismo son extremadamente inflamables y explosivos. El fuego o una explosión pueden causar quemaduras graves e incluso la muerte.
	Superficie caliente	Para reducir el riesgo de lesiones corporales o daños materiales evite tocar toda superficie caliente.
	Peligro al levantar	Para reducir el riesgo de lesiones serias, evite intentar levantar el generador usted solo.
	Conexión a tierra	Consulte a un electricista de la localidad para determinar los requisitos de conexión a tierra antes de utilizar la unidad.
	Electrocución	El incumplimiento de conectar correctamente a tierra el generador puede resultar en electrocución, especialmente si el generador está equipado con un conjunto de disco.

ETIQUETAS DE SEGURIDAD

La siguiente información puede encontrarse en el generador. Para su propia seguridad, le sugerimos estudiar y entender todas la etiquetas antes de poner marcha el generador.

Si se desprende de la unidad cualquiera de las etiquetas o se vuelven ilegibles, comuníquese con algún centro de servicio autorizado para obtener un reemplazo.

- SE MATARÁ o LESIONARÁ GRAVEMENTE si no sigue las instrucciones del Manual del operador.
- Riesgo de incendio. No agregue combustible cuando el producto esté funcionando.
- El generador es una fuente potencial de descarga eléctrica. No lo exponga a humedad, la lluvia ni a la nieve. No opere con manos o pies húmedos.
- El escape contiene gas venenoso de monóxido de carbono que puede causar pérdida del conocimiento a la MUERTE. Opere en áreas exteriores bien ventiladas lejos de puertas o ventanas abiertas.
- La omisión de conectar a tierra adecuadamente el generador puede resultar en electrocución, especialmente si el generador está equipado con un kit de ruedas.
- No exponga la unidad a la lluvia ni la use en lugares húmedos.
- Usar un generador en el interior PUEDE MARTARLO EN POCOS MINUTOS. Los gases de escape del generador contienen monóxido de carbono. Es un veneno que no puede verse ni olerse.
- NUNCA lo use dentro de su hogar o del garaje, INCLUSO con las puertas y las

ventanas abiertas.

- Sólo utilícelo AL AIRE LIBRE y lejos de ventanas, puertas y respiraderos.



ADVERTENCIA DE SUPERFICIE CALIENTE

No toque el silenciador ni el cilindro de aluminio del motor. Están muy CALIENTES y causan quemaduras graves. No ponga ningún material inflamable o combustible directamente en la trayectoria de las emanaciones del escape.



SÍMBOLOS

ADVERTENCIA DE COMBUSTIBLE

No fume al abastecer el combustible. No llene de más. El nivel de lleno es 25 mm (1 pulg.) debajo del cuello del tanque de combustible. Pare la marcha del motor cinco minutos antes del reabastecimiento de combustible para evitar que el calor del silenciador encienda los vapores de combustible.



ADVERTENCIA DEL LUBRICANTE DE MOTOR

Antes de utilizar el generador debe abastecerlo de lubricante. El tanque de aceite tiene una capacidad de 1 L (1,1 cuartos). Antes de utilizar la unidad, revise el nivel de lubricante. El nivel de lubricante siempre debe estar entre las áreas cubiertas con rayas entrecruzadas de la varilla de nivel. La unidad está equipada de un sensor, el cual apaga automáticamente el motor si el nivel de lubricante desciende abajo del límite de seguridad.



⚠ WARNING ⚠ AVERTISSEMENT ⚠ ADVERTENCIA

Product does not include ground rod or copper wire. National Electric Code requires generator to be properly grounded to an approved earth ground. Call an electrician for local grounding requirements.

Le produit ne comprend pas de piquet de terre ou de fil en cuivre. Le code électrique américain (National Electric Code) requiert un générateur pour une bonne mise à la terre approuvée. Appeler un électricien pour connaître les exigences locales de mise à la terre.

El producto no incluye el alambre de cobre ni la barra de conexión a tierra. Los Reglamentos Nacionales de Electricidad exigen que el generador esté debidamente conectado a una tierra aprobada. Comuníquese con un electricista para todo lo relacionado con los requisitos de conexión a tierra.

ADVERTENCIA ACERCA DE LA CONEXIÓN A TIERRA

El Reglamento Nacional de Electricidad exige que el generador esté conectado a una tierra aprobada.

ASPECTOS ELÉCTRICOS

CALIBRE DEL CORDÓN DE EXTENSIÓN

Consulte el cuadro mostrado abajo para asegurarse de que el calibre de los cordones de extensión que utilice puedan con la carga eléctrica requerida. Los cordones de calibre insuficiente pueden causar una caída de voltaje, lo cual puede quemar el dispositivo y recalentar el cordón mismo.

Corriente en Amperios	Carga en vatios		Longitud máxima permitida del cordón				
	A 120 V	A 240 V	Conduct. #8	Conduct. #10	Conduct. #12	Conduct. #14	Conduct. #16
2,5	300	600		305 m (1000 pies)	183 m (600 pies)	114 m (375 pies)	76 m (250 pies)
5	600	1200		152 m (500 pies)	91 m (300 pies)	61 m (200 pies)	38 m (125 pies)
7,5	900	1800		107 m (350 pies)	61 m (200 pies)	38 m (125 pies)	31 m (100 pies)
10	1200	2400		76 m (250 pies)	46 m (150 pies)	31 m (100 pies)	15 m (50 pies)
15	1800	3600		46 m (150 pies)	31 m (100 pies)	20 m (65 pies)	
20	2400	4800	53 m (175 pies)	38 m (125 pies)	23 m (75 pies)		
25	3000	6000	46 m (150 pies)	31 m (100 pies)			
30	3600	7200	38 m (125 pies)	20 m (65 pies)			
40	4800	9600	27 m (90 pies)				

ASPECTOS ELÉCTRICOS

CARGAS DE MOTORES ELÉCTRICOS

Es característico en el funcionamiento normal de los motores eléctricos comunes consumir durante el arranque hasta seis veces su corriente de operación. Esta tabla puede emplearse para estimar la potencia necesaria (en vatios) para arrancar los motores eléctricos de "Código G"; no obstante, si un motor eléctrico no arranca o no alcanza la velocidad de funcionamiento, apague el dispositivo o herramienta de inmediato para evitar dañar el equipo. Siempre verifique los requisitos de la herramienta o aparato con la salida nominal del generador.

Capacidad del motor (H.P.)	Potencia en marcha (vatios)	Potencia necesaria para arrancar el motor (vatios)		
		Inducción de repulsión	Capacitor	Fase dividida
1/8	275	600	850	1200
1/6	275	600	850	2050
1/4	400	850	1050	2400
1/3	450	975	1350	2700
1/2	600	1300	1800	3600
3/4	850	1900	2600	—
1	1100	2500	3300	—

CORDÓN DE EXTENSIÓN

Vea la figura 1.

El cordón de extensión de 762 cm (25 pies) (modelo RDEC25) tiene una toma de corriente de fijación por giro de 240 V y 20 A en un extremo y un receptáculo de fijación por giro de 240 V y 20 A en el otro extremo. También tiene un conector de control del motor de corr. cont. de 12 V en cada extremo. Al usar este cordón, el panel de control desmontable puede proporcionar electricidad a través de las 2 tomas de corriente dobles de 120 V con GFCI ubicadas en la caja de control.

CAUTION:

Utilícelo únicamente con el cordón de accesorio RDEC25. No sobrepase la longitud de separación de 22,86 m (75 pies) o la combinación de tres cordones de accesorio RDEC25.

PRECAUCIÓN:

El requerimiento de voltaje y frecuencia operativa de todos los equipos electrónicos debe comprobarse antes de enchufarlos a este generador. Pueden ocurrir daños si el equipo no está diseñado para operar dentro de una variación de voltaje de +/-10% y una variación de frecuencia de +/-3 hz de los valores nominales que aparecen en la placa de identificación del generador. A fin de evitar daños, siempre tenga una carga adicional enchufada al generador en caso de usarse equipos de estado sólido (tales como un aparato de televisión). También podría resultar necesario un acondicionador de la línea eléctrica para algunas aplicaciones; por ejemplo, con una computadora. También podría resultar necesario un acondicionador de la línea eléctrica para algunas aplicaciones de equipo de estado sólido.

INTERRUPTOR DE CIRCUITO ACCIONADO POR FALLA DE CONEXIÓN A TIERRA

Vea la figura 2.

Los receptáculos (20 A, 120 V) del generador están protegidos con un interruptor de circuito accionado por falla de conexión a tierra (GFCI), el cual protege contra los peligros de las corrientes desarrolladas al presentarse tal falla. Un ejemplo de una corriente debida a una falla de conexión a tierra es la que fluiría a través de una persona que está utilizando un aparato con aislamiento defectuoso, y al mismo tiempo está en contacto con una tierra eléctrica como una parte de la plomería, suelo húmedo o tierra.

Los receptáculos protegidos con GFCIs no protegen contra cortos circuitos, sobrecargas ni descargas eléctricas.

Los receptáculos con GFCIs pueden probarse con los botones TEST [PRUEBA] y RESET [REAJUSTE].

Para efectuar una prueba:

■ Oprima el botón TEST. Esto debe hacer salir el botón Reset (Reajustar).

■ Para restablecer la corriente, oprima el botón RESET.

Realice mensualmente esta prueba para asegurarse del buen funcionamiento del GFCI. Si se guarda a la intemperie el generador, sin protección de los elementos, pruebe el GFCI del receptáculo cada vez antes de usar la unidad.

ASPECTOS ELÉCTRICOS

CAPACIDAD DEL GENERADOR

Cerciórese que el generador pueda suministrar suficientes vatios de potencia continua (en marcha) y de sobrecorriente (al arrancar) para los equipos que desee alimentar al mismo tiempo. Siga estos pasos sencillos.

1. Seleccione los equipos que desea alimentar al mismo tiempo.
2. Sume la potencia continua (en marcha) en vatios de estos equipos. Esta es la cantidad de potencia que el generador debe producir para mantener en marcha los equipos. Observe la tabla de referencia de potencia en vatios, a la derecha.
3. Calcule cuánta potencia inicial (al arranque) en vatios necesitará. La potencia inicial (en vatios) es la breve variación rápida de potencia necesaria para poner en marcha los aparatos o herramientas accionados con motor eléctrico como las sierras circulares o los refrigeradores. Debido a que no todos los motores arrancan al mismo tiempo, se puede calcular la potencia inicial total en vatios sumando sólo los equipos con el mayor valor de potencia inicial adicional a la potencia nominal del paso 2.

Ejemplo:

Herramienta o aparato	W (de Funcionamiento) Continuo Estimados*	W (de Arranque) de Sobretensión Adicionales Estimados*
Lámpara de trabajo de halógeno de cuarzo	1000	0
Sierra alternativa	9600	+960
Taladro eléctrico	600	+900
Sierra circular	1400	+2300
	3960 vatios, potencia en marcha total	+2300 vatios, potencia inicial máxima

Potencia continua total en vatios (en marcha)	3960
Potencia inicial adicional máxima en vatios	+ 2300
Potencia total de salida requerida del generador	6260

ADMINISTRACIÓN DE LA POTENCIA

A fin de prolongar la vida útil del generador y los dispositivos acoplados, es importante tener cuidado al agregar cargas eléctricas al generador. NO debe haber equipo alguno conectado a los tomacorrientes del generador antes de poner en marcha el motor respectivo. La manera correcta y segura de administrar la potencia del generador consiste en agregar las cargas de manera secuencial de la manera siguiente:

1. Sin equipos conectados al generador, ponga en marcha el motor de la manera que se describe posteriormente en este manual.
2. Enchufe y active la primera carga, preferiblemente la máxima carga que tenga.
3. Deje que se establezca la salida del generador (el motor marcha uniformemente y el dispositivo acoplado funciona correctamente).
4. Enchufe y active la siguiente carga.
5. Nuevamente, deje que el generador se estabilice.
6. Repita los pasos 4 y 5 para cada carga adicional.

Nunca añada más cargas que las que permita la capacidad del generador. Tenga especial cuidado al considerar las cargas de sobrecorriente en la capacidad del generador según se describió anteriormente.

PRECAUCIÓN:

No exceda la capacidad del generador. Si excede la capacidad de corriente (amperios) y potencia (vatios) del generador puede dañar el generador y los dispositivos eléctricos conectados al mismo.

Herramienta o aparato	W de Funcionamiento Estimados*	W de Arranque Adicionales Estimados*
Herramientas pasatiempos/Sitio de trabajo		
Lámpara de trabajo de halógeno de cuarzo	1000	0
Rociador de aire comprimido – 1/3 HP	600	+1200
Sierra alternativa	960	+960
Taladro eléctrico – 1/2 HP	600	+900
Sierra circular - 7-1/4 pulg. (184 mm)	1400	+2300
Sierra de ingletes – 10 pulg. (254 mm)	1800	+1800
Cepillo de juntas – 6 pulg. (150 mm)	1800	+1800
Sierra de banco/sierra radial de brazo – 10 pulg. (254 mm)	2000	+2000
Compresor de aire – 1 HP	1600	+4500

*Los valores de potencias en vatios indicados son aproximados. Verifique la herramienta o el equipo para conocer el vatiaje real.

CARACTERÍSTICAS

ESPECIFICACIONES DEL PRODUCTO

MOTOR

Tipo de motor.....	Subaru, EX40 OHC
Diámetro interior x carrera.....	89 mm x 65 mm
Sistema de enfriamiento.....	Aire forzado
Relación de compresión.....	8:1:1
Sistema de arranque.....	Retráctil y eléctrica
Sistema de ignición.....	T.C.I.
Bujía.....	NGK BR6HS
Volumen de aceite de motor.....	1,1 l (1,2 cuarto)
Volumen de combustible.....	30,28 l (8 galones)

GENERADOR

Voltaje nominal.....	120 V / 240 V
Amperaje nominal.....	66,7 A / 33,3A
Salida nominal.....	8 000 W
Salida máxima.....	10 000 W
Frecuencia nominal.....	60 Hz

DIMENSIONES

Longitud.....	78 cm (31 pulg.)
Ancho.....	75 cm (30 pulg.)
Altura.....	67 cm (27 pulg.)
Peso.....	116 kg (256 lb)

FAMILIARÍCESE CON EL GENERADOR

Vea la figura 3.

El uso seguro que este producto requiere la comprensión de la información impresa en el producto y en el manual del operador así como ciertos conocimientos sobre el proyecto a realizar. Antes de usar este producto, familiarícese con todas las características de funcionamiento y normas de seguridad.

DISYUNTOR

El disyuntor se proporciona para proteger al generador contra sobrecarga eléctrica. El disyuntor puede restaurarse pulsando el botón del disyuntor.

FILTRO DE AIRE

El filtro de aire ayuda a limitar la cantidad de tierra y polvo que penetra a la unidad durante el funcionamiento.

PALANCA DEL ANEGADOR

La palanca del anegador se emplea al arrancar el motor.

INTERRUPTOR DEL MOTOR CON LLAVE

El interruptor del motor se utiliza en combinación con el mango del arrancador retráctil para arrancar el generador. Para apagar el motor, haga girar la llave a "OFF".

CORDÓN DE EXTENSIÓN

El cordón de extensión de 762 cm (25 pies) (modelo RDEC25) tiene una toma de corriente de fijación por giro de 240 V y 20 A en un extremo y un receptáculo de fijación por giro y 12 V en cada extremo. Al usar este cordón, el panel de control desmontable puede proporcionar electricidad a través de las 2 tomas de corriente dobles de 120 V con GFCI ubicadas en la caja de control.

TANQUE DE COMBUSTIBLE CON INDICADOR DE CARGA

El tanque de combustible con indicador de carga tiene una capacidad de 30,28 l (8 gal).

VÁLVULA DE COMBUSTIBLE

El flujo de combustible a través del generador se controla por medio de la posición de la válvula de combustible.

SISTEMA DE MONITOREO GenSmart™

El sistema de monitoreo GenSmart mantiene un registro del uso y de la carga, y avisa al operador cuando el motor un mantenimiento periódico Se recomienda.

NOTA: monitorea la carga únicamente de las tomas de corriente de 120 V. 20 A con GFCI que se encuentran en el panel de control desmontable. No mide la carga de las tomas de corriente de 240 V y 30 A.

TERMINAL DE CONEXIÓN A TIERRA

El terminal de conexión a tierra se utiliza para ayudar a conectar a tierra correctamente el generador como ayuda de protección contra descargas eléctricas. Consulte con un electricista local con respecto a los requisitos de conexión a tierra en el área geográfica donde se encuentre usted.

INTERRUPTOR DE APAGADO

Para apagar el motor, oprima y no suelte el interruptor de apagado hasta que el motor se detenga.

TAPA DE RELLENO DE ACEITE/VARILLA MEDIDORA DE ACEITE

Retire la tapa de relleno de aceite para revisar el nivel y añadir lubricante al generador cuando sea necesario.

PERNO DE DRENAJE DE ACEITE

Al cambiar el lubricante de motor, se afloja el perno de drenaje de aceite para permitir el drenaje del lubricante usado.

RECEPTÁCULOS

Las siguientes tomas de corriente monofásicas de 60 Hz ubicadas en el panel de control se pueden usar para operar dispositivos, iluminación eléctrica, herramientas y cargas del motor adecuadas: 4 receptáculos de corr. alt. de 120 V, 2 receptáculos dobles de 120 V y 20 A con GFCI, y un receptáculo de corr. alt. 240 V y 30 A. Queda disponible un receptáculo de corr. alt. de 240 V y 20 A conectado en la parte el lado del panel de control desmontable cuando el panel está desmontado.

MANGO DEL ARRANCADOR RETRÁCTIL

El mango del arrancador retráctil se usa para arrancar el motor del generador.

PANEL DE CONTROL DESMONTABLE

Para poder utilizar el panel de control en distintas ubicaciones, se lo puede montar en la pared y usar con cordones de extensión.

ARMADO



ADVERTENCIA:

No intente accionar el generador antes de terminar de armarlo. De lo contrario puede ocurrir un riesgo de lesiones graves.

LISTA DE PIEZAS SUELTAS

Vea la figura 4.

Los siguientes accesorios vienen incluidos:

Núm.

ref.	Descripción	Cant.
1	Eje.....	2
2	Rueda	2
3	Arandela plana (5/8 pulg.).....	2
4	Pasador del enganche.....	2
5	Tornillo (1/4-20 x 2 pulg., cabeza hex.)	4
6	Arandela plana (1/4 pulg.).....	6
7	Pata con pie de goma	2
8	Nut (1/4-20 tornillo colocando).....	6
9	Cordón de extensión, 25 pies	1
10	Lubricante para motor.....	1
11	Tornillo (1/2-20 x 1 pulg., cabeza hex.)	2
12	Llave	1
	Manual del operador (no se muestra).....	1

DESEMPAQUETADO

Este producto requiere armarse.

- Corte cuidadosamente los lados de la caja y después retire la herramienta y cualesquier accesorios de la caja. Asegúrese de que estén presentes todos los artículos enumerados en la lista de empaquetado.

NOTA: Esta herramienta es pesada y requiere al menos de dos personas para levantarla. Para evitar una lesión en la espalda, levántela con sus piernas, no con su espalda.



ADVERTENCIA:

No utilice este producto si alguna pieza incluida en la lista de piezas sueltas (o lista de contenido) ya está ensamblada al producto cuando lo desempaqueta. El fabricante no ensambla las piezas de esta lista en el producto. Éstas deben ser instaladas por el usuario. El uso de un producto que puede haber sido ensamblado de forma inadecuada podría causar lesiones personales graves.

- Inspeccione cuidadosamente la producto para asegurarse que no haya sufrido ninguna rotura o daño durante el transporte.

- No deseche el material de empaquetado hasta que haya inspeccionado cuidadosamente el producto y lo haya utilizado satisfactoriamente.

- Si hay piezas dañadas o faltantes, le suplicamos llamar al 1-866-539-1710, donde le brindaremos asistencia.



ADVERTENCIA:

Si hay piezas dañadas o faltantes, no utilice este producto sin haber reemplazado todas las piezas. Usar este producto con partes dañadas o faltantes puede causar lesiones serias al operador.



ADVERTENCIA:

No intente modificar esta producto ni introducir accesorios no recomendados para la misma. Cualquier alteración o modificación constituye maltrato y puede causar una condición peligrosa, y como consecuencia posibles lesiones corporales graves.

NOTA: Ponga combustible ni lubricante en el generador antes de instalar las patas y ruedas.

INSTALACIÓN DE LAS PATAS

Vea la figura 5.

- Localice los siguientes artículos:
 - 2 patas con pies de goma
 - 6 arandelas plana
 - 6 tuerca de bloqueo
 - 4 tornillos (2 pulg.)
 - 2 tornillos (1 pulg.)
- Levante el extremo frontal del generador, donde se encuentra el motor, de modo que pueda acceder a la parte inferior del bastidor. Coloque los soportes firmemente por debajo para que sirvan de apoyo.
- Coloque una pata sobre los orificios que se encuentran a cada lado del bastidor.
- Inserte un tornillo de torx a través de cada uno de los dos orificios en el bastidor y en la pata.
- Ajuste los tornillos colocando una tuerca de autobloqueo sobre cada tornillo en la parte interior del bastidor. Ajuste la tuerca firmemente.
- Inserte un tornillo de 25,4 mm (1 pulg.) a través de una arandela plana, el orificio en el travesaño del bastidor y luego a través del orificio en la lengüeta de la pata. Instale una tuerca de autobloqueo y ajústela para asegurarla.
- Repita lo mismo con la pata restante.

ARMADO

INSTALACIÓN DE LAS RUEDAS

Vea la figura 6.

Las ruedas se proporcionan para ayudar a trasladar el generador hasta la ubicación deseada y deben instalarse en el lado opuesto al arrancador retráctil.

- Localice los siguientes artículos:
 - 2 ejes
 - 2 arandelas (5/8 pulg.)
 - 2 pasadores del enganche
 - 2 ruedas
- Levante el extremo del mango del generador de modo que pueda acceder a la parte inferior del bastidor. Coloque los soportes firmemente por debajo para que sirvan de apoyo.
- Inserte un eje a través del centro de la rueda.
- Coloque una arandela en el eje, luego deslice el eje por el soporte en el bastidor.
- Deslice el pasador de enganche por el orificio del eje y asegúrese de que quede firme.
- Repita el proceso en el otro lado para instalar la segunda rueda.

CONEXIÓN DE LA BATERÍA

Vea la figura 7.

Los cables de la batería deben conectarse para poder utilizar la función de encendido eléctrico del generador.

- En primer lugar, conecte el cable rojo en el terminal positivo (+); a continuación, conecte el cable negro en el terminal negativo (-) con los pernos, las tuercas y las arandelas provistos. Asegúrese de que todas las conexiones estén firmes.

NOTA: Asegúrese de no provocar un cortocircuito entre los terminales durante la instalación. Un cortocircuito al juntar las terminales puede causar chispas, daños a la batería o al generador y hasta quemaduras o explosiones.

- Cubra los terminales con las cubiertas de caucho.

Al retirar la batería para reemplazarla: en primer lugar, quite la tuerca y el perno del polo negativo (negro) y, a continuación, del polo positivo (rojo), siempre teniendo el cuidado correspondiente para no producir un cortocircuito entre los terminales. Siempre observe las advertencias de seguridad que se suministran con la batería. Quite la batería y deséchela según lo establecido por las reglamentaciones locales y estatales.



ADVERTENCIA:

Para reducir el riesgo de electrocución o explosión, no cause cortocircuito en las terminales de las baterías o realice la carga en un recipiente sellado. Mantenga alejadas las chispas y las llamas.



ADVERTENCIA:

Guarde los objetos metálicos lejos de los terminales de la batería. Los objetos metálicos pueden establecer conexión entre ambas terminales. Establecer una conexión directa entre las dos terminales puede causar chispas, quemaduras o incendios.

PANEL DE CONTROL DESMONTABLE

Vea la figura 8.

Para quitar el panel de control desmontable del generador:

- Apague la generador.
- Afloje el pestillo del panel de control desmontable y tire el panel de control hacia delante.
- Desconecte la toma de corriente de fijación por giro y el conector de control del motor de 12 V de la parte posterior del panel de control.

INSTALAR UN MONTE DE PARED PARA LA PANEL DE CONTROL DESMONTABLE

Vea las figuras 9 y 10.

La panel de control desmontable puede ser retirado del generador y monte de pared en otra ubicación antes lo conecta de nuevo al generador.

Para tapiar monte la panel de control desmontable:

- Los tornillos o los clavos para colgar la caja debe ser espaciada 4-1/4 pulg. del centro para centrar.
- Marque el 4-1/4 pulg. medida en un semental de pared u otra superficie firme de madera.
- Taladrado los hoyos e inserte los tornillos; apriete los tornillos firmemente en la madera.

NOTA: Debe haber por lo menos 5/8 pulg. del tornillo o los clavos que salen del pedazo de madera para colgar la caja.

- Cuelgue la caja en los tornillos o clavos, lo acercando es seguro.

FUNCIONAMIENTO

PELIGRO:

Monóxido de carbono. Usar un generador en el interior LO MATARÁ EN POCOS MINUTOS. Los gases de escape del generador contienen niveles altos de monóxido de carbono (CO), un gas venenoso que no puede verse ni olerse. Si puede oler los gases de escape del generador, está respirando CO. Pero incluso si no puede oler los gases de escape, es posible que esté respirando CO.

- Nunca use un generador dentro de su hogar, garaje, sótano, ni demás espacios parcialmente encerrados. En dichos espacios, pueden acumularse niveles mortales de monóxido de carbono. Usar un ventilador o abrir puertas y ventanas NO proporciona suficiente aire fresco.
- SÓLO utilice el generador al aire libre y lejos de ventanas, puertas y respiraderos abiertos. Estas aberturas pueden atraer los gases de escape del generador.

Incluso si utiliza el generador correctamente, el CO puede ingresar en su hogar. SIEMPRE utilice una alarma de CO de pilas o con pilas de respaldo en su hogar.

Si comienza a sentirse descompuesto, mareado o débil luego de que el generador estuvo funcionando, trasládese adonde haya aire fresco INMEDIATAMENTE. Vea a un doctor. Puede sufrir intoxicación por monóxido de carbono.

PELIGRO:

El incumplimiento de conectar correctamente a tierra el generador puede resultar en electrocución, especialmente si el generador está equipado con un conjunto de ruedas. El Reglamento Nacional de Electricidad exige que el generador esté debidamente conectado a una tierra aprobada. Comuníquese con un electricista para todo lo relacionado con los requisitos de conexión a tierra.

ADVERTENCIA:

No permita que su familiarización con este producto lo vuelva descuidado. Tenga presente que un descuido de un instante es suficiente para causar una lesión grave.

ADVERTENCIA:

No utilice ningún aditamento o accesorio no recomendado por el fabricante de este producto. El empleo de aditamentos o accesorios no recomendados podría causar lesiones graves.

APLICACIONES

Este generador está diseñado para suministrar alimentación eléctrica para el funcionamiento de iluminación eléctrica compatible, electrodomésticos, herramientas y cargas de motor.

ANTES DE ACCIONAR LA UNIDAD

- Sólo utilícelo AL AIRE LIBRE y lejos de ventanas, puertas y respiraderos.
- NUNCA lo use dentro de su hogar o del garaje, INCLUSO con las puertas y las ventanas abiertas.
- Coloque siempre el generador sobre una superficie firme plana.

PRECAUCIÓN:

Si se intenta arrancar el motor antes de haberse abastecido debidamente de lubricante podría descomponerse el equipo.

LEVANTAR Y BAJAR EL MANGO

Vea la figura 11.

- Para levantar el mango (para trasladar la generador): tire del mango hacia arriba hasta que la perilla del mango de aseguramiento pase a través de la ranura correspondiente y asegure el mango en su lugar.
- Para bajar mango (para guardar la generador): quite la clavija de bloqueo del mango, tire de la perilla de liberación y ponga el mango en posición hacia abajo.

Nunca utilice el mango para levantar el generador. Sólo se debe utilizar el mango para transportar la unidad.

VERIFICACIÓN Y ABASTECIMIENTO DE ACEITE

Vea la figura 12.

El lubricante de motor empleado es un factor de gran importancia en el rendimiento y vida de servicio del motor. Para uso general, a todas temperaturas, se recomienda el aceite SAE 10W-30. Siempre utilice lubricante para motor de cuatro tiempos que satisfaga o sobrepase los requisitos SJ de clasificación de servicio API.

Este motor viene con una característica que apagará el motor cuando no se mantiene el nivel específico de aceite. El motor volverá a arrancar hasta que se alcance el nivel adecuado de aceite.

NOTA: El lubricante sin detergente o para motor de dos tiempos daña el motor, por lo cual no debe usarse.

- Desenrosque la tapa de relleno de aceite/varilla medidora de aceite y retírela.
- Limpie la varilla de nivel y vuelva a asentarla en el agujero; no la enrosque.
- Retire de nuevo la varilla medidora de lubricante y verifique el nivel de lubricante. El nivel de lubricante siempre debe estar entre las áreas cubiertas con rayas entrecruzadas de la varilla medidora.

FUNCIONAMIENTO

- Si está bajo el nivel, abastezca de lubricante el motor hasta que el nivel del fluido alcance la parte superior de la varilla.
- Vuelva a colocar la tapa de relleno de aceite/varilla medidora de aceite y asegúrela.

VERIFICACIÓN Y ABASTECIMIENTO DE COMBUSTIBLE

Vea la figura 13.

- Retire la tapa de combustible.
- Llene el tanque de combustible hasta una altura de 25 mm (1 pulg.) abajo del cuello del tanque.
- Coloque de nuevo la tapa del tanque de combustible y asegúrela.

NOTA: Siempre utilice gasolina sin plomo con un octanaje nominal inicial de 86 o mayor. Nunca utilice gasolina vieja, pasada o contaminada, y no utilice mezcla de aceite y gasolina. No permita que entre tierra o agua en el tanque de combustible. **No use combustible E85.**

USO DE ESTABILIZADOR DE COMBUSTIBLE

El combustible se hace viejo, se oxida y descompone al paso del tiempo. Agregando estabilizador de combustible (no incluido) se prolonga la vida útil del combustible y se evita la formación de depósitos, los cuales pueden tapan el sistema del combustible. Siga las instrucciones del fabricante del estabilizador de combustible en cuanto a la debida proporción estabilizador-combustible.

- Vierta el estabilizador en el tanque de combustible y, después, llénelo de gasolina de conformidad con las instrucciones anteriores.

NOTA: Pueden mezclarse el estabilizador y la gasolina antes de llenar el tanque; para ello utilice una lata de gasolina u otro recipiente aprobado para combustible y agítela suavemente para realizar la mezcla.

- Coloque de nuevo la tapa del tanque de combustible y asegúrela.
- Arranque el motor y déjelo funcionar por lo menos cinco minutos para permitir que el estabilizador trate todo el sistema de combustible.

COMBUSTIBLES OXIGENADOS

Algunas gasolinas convencionales están mezcladas con alcohol o con un compuesto de éter. Estas gasolinas se denominan colectivamente combustibles oxigenados. Para satisfacer las normas de limpieza del aire, en algunas áreas geográficas de Estados Unidos y Canadá se usan combustibles oxigenados para reducir las emisiones.

Si va a usar un combustible oxigenado, asegúrese de que no tenga plomo y satisfaga los requisitos relacionados con el octanaje nominal mínimo. Antes de usar un combustible oxigenado, trate de confirmar el contenido del combustible. En algunos estados o provincias se requiere mostrar información en las bombas. A continuación se muestran los porcentajes de combustibles oxigenados aprobados por la

EPA (Dirección de Protección Ambiental de EE.UU.):

Etanol (etilo o alcohol etílico) 10% por volumen. Puede utilizar gasolina con un contenido de 10% de etanol por volumen. La gasolina con contenido de etanol puede comercializarse con el nombre de "gasohol". **No use combustible E85.**

MTBE (éter metilbutílico terciario) 15% por volumen. Puede utilizar gasolina con un contenido de 15% de MTBE por volumen.

Metanol (metilo o alcohol metílico) 5% por volumen. Puede utilizarse gasolina con un contenido de 5% de metanol por volumen, siempre y cuando contenga también cosolventes e inhibidores de corrosión para proteger el sistema de combustible. La gasolina con un contenido superior a 5% de metanol por volumen puede causar problemas en el arranque o en el desempeño del motor. También puede dañar piezas de metal, caucho (hule) y plástico del generador o del sistema de combustible.

Si observa cualquier síntoma de funcionamiento indeseable, pruebe con otra estación de gasolina o cambie de marca de gasolina.

NOTA: No están cubiertos en la garantía los problemas de desempeño o daños al sistema de combustible producidos por el uso de un combustible oxigenado con un contenido superior a los porcentajes de alcohol o compuesto de éter señalados anteriormente.

PRECAUCIÓN:

Teniendo la unidad en una superficie nivelada y con el motor apagado, revise el nivel de lubricante cada vez antes de usar el generador.

PANEL DE CONTROL DESMONTABLE

Vea la figura 14.

El panel de control desmontable puede montarse en la pared y conectarse al generador con el cordón eléctrico de 762 cm (25 pies) (Modelo núm.: RDEC25) suministrado con el producto.

El generador puede no enciende o no apaga desde el panel de control desmontable o desde llave del interruptor de apagado en la unidad.

NOTA: El interruptor de apagado es un interruptor de encendido y apagado momentáneo. Debe presionar el interruptor y sostenerlo hasta que el motor se haya detenido totalmente.

El panel de control desmontable tiene dos tomas de corriente dobles de 120 V con GFCI y cubiertas de salida. Cada toma de corriente doble tiene un botón pulsador de verificación y reajuste.

NOTA: Las tomas de corriente con GFCI se pueden mostrar sin sus cubiertas para proporcionar instrucciones más claras sobre el funcionamiento de esta característica.

Utilícelo únicamente con el cordón de accesorio RDEC25. No sobrepase la longitud de separación de 22,86 m (75 pies) o la combinación de tres cordones de accesorio RDEC25.

FUNCIONAMIENTO

SISTEMA DE MONITOREO GENSMART™

Vea la figura 15.

El sistema de monitoreo GenSmart™ tiene las siguientes características:

Indicador de carga

Mide la salida de vatiaje de las 2 tomas de corriente dobles de 120 V con GFCI que se encuentran en el panel de control desmontable. GenSmart™ monitorea la carga únicamente de las tomas de corriente de 120 V con GFCI que se encuentran en el panel de control desmontable. No mide la carga de las tomas de corriente de 240 V y 30 A. El indicador GenSmart™ mide hasta 4 800 W de la capacidad nominal del generador.

NOTA: Si el receptáculo de 240 V está en uso, la carga indicada en la pantalla no reflejará con precisión el porcentaje exacto de la carga ser dibujado del generador.

Horómetro

El horómetro analógico se acciona al encender el motor y registra la cantidad de horas de uso de la unidad. Utilice este dispositivo junto con el manual adjunto del motor para determinar cuándo debe realizar el servicio y qué tipo de mantenimiento debe realizarse.

Sistema de advertencia de mantenimiento

Cada 100 horas de uso, el sistema de monitoreo GenSmart™ mostrará un mensaje que indicará al operador que se debe realizar el mantenimiento del filtro de aire del motor, la bujía y el aceite para motor. Para reajustar este mensaje, presione el botón de reajuste que se encuentra debajo de la pantalla GensMart™ y manténgalo presionado durante 5 segundos.

Lectura del sistema de monitoreo GenSmart™

Al arrancar, la unidad mostrará un mensaje que indicará al operador que debe leer y comprender el manual del operador antes de utilizar este producto.

Al arrancar, la unidad mostrará un mensaje que indicará al operador que debe leer y comprender el manual del operador antes de utilizar este producto.

Mientras el generador está en funcionamiento, el panel mostrará la barra de potencia, el porcentaje de carga y el total de horas de funcionamiento de la unidad.

Cada 100 horas de uso, se desplazará un mensaje a lo largo de la pantalla que le indica al operador que realice el mantenimiento al filtro de aire, al aceite para el motor y a la bujía, y que presione el botón de reajuste y lo mantenga presionado durante 5 segundos para reajustar la pantalla.

NOTA: Sea precavido: sólo presione el botón de reajuste y manténgalo presionado cuando desee reajustar el panel de mantenimiento.

PANEL DE CONTROL GENERAL

El panel de control fijo cuenta con una toma de corriente de fijación por giro de 240 V, 30A y disyuntores.

OPERACIÓN DEL GENERADOR MEDIANTE EL PANEL DE CONTROL DESMONTABLE MONTADO EN LA PARED

Vea la figura 16.

Si el panel se ha instalado en un lugar alejado:

- Apague la generador.
- Conecte el generador al panel de control desmontable mediante una toma de corriente de fijación por giro y un conector de control de corr. cont. de 12 V que se encuentran en el cordón eléctrico suministrado.
- Utilice el generador SÓLO al aire libre y lejos de ventanas, puertas u orificios de ventilación abiertos. Estas aberturas pueden atraer los gases de escape del generador.
- Conecte hasta dos cordones de extensión adicionales de 762 cm (25 pies) al cordón eléctrico de 762 cm (25 pies) suministrado. La longitud total de todos los cordones eléctricos conectados no debe superar los 22,86 (75 pies) o los 3 cordones de extensión RDEC25.
- Conecte el cordón de extensión al generador.
- Encienda el motor como se describe en **Arranque del motor**.
- Conecte dispositivos al generador y monitoree la carga de cada dispositivo agregado mediante el panel de la pantalla GenSmart™.

TRASLADO EL GENERADOR

Vea la figura 17.

- Apague la generador. Desconecte todos los equipos que estén enchufados al generador.
- Ponga la válvula de combustible en la posición OFF (APAGADO).
- Permita un período de enfriamiento de 30 minutos antes de guardar la máquina.
- Para seguridad, inserta el pasador para asegurar el mango antes de transportar.
- Con su pie en la parte trasera del bastidor, incline la máquina hacia usted hasta que se equilibre en las ruedas, luego empuje la máquina a la posición deseada.

LEVANTAR EL GENERADOR

Vea la figura 18.

- Pliegue el mango hacia abajo. Nunca alce o mueva este producto tomándolo por el mango móvil.

NOTA: Esta herramienta es pesada y requiere varios personas a levantar. Para evitar lesionarse la espalda, mantenga dobladas las rodillas, levante con las piernas, no con la espalda, y obtenga ayuda cada vez que la necesite.

FUNCIONAMIENTO

ARRANQUE ELÉCTRICO

Vea la figura 19.

El modelo de este generador se proporciona con capacidades de arranque tanto de impacto trasero como eléctrico. Evite el uso prolongado de arranque con manivela, pues esto puede dañar el motor.

La batería que se suministra es de plomo-ácido, de 12 voltios nominales, sellada y recargable y se puede poner en funcionamiento en cualquier posición sin que presente fugas. Cumple con las regulaciones de baterías antiderrame. Su cómodo tamaño ofrece una reducción del 30% sobre otras baterías convencionales.

NOTA: Los generadores nuevos de marca se envían con las conexiones de la batería sin conectar. Las terminales positiva y negativa deben conectarse con la batería antes de que se ponga en marcha la función Arranque eléctrico.

Para obtener información sobre la conexión inicial de la batería, consulte la sección **Conexión de la batería**.

PRECAUCIÓN:

Teniendo la unidad en una superficie nivelada y con el motor apagado, revise el nivel de lubricante cada vez antes de usar el generador.

ARRANQUE DEL MOTOR

Vea la figura 20.

NOTA: Si el generador no está en una superficie nivelada, es posible que no arranque o se apague durante su funcionamiento.

- Desconecte todas las cargas del generador.
- Ponga la válvula de combustible en la posición ON (ENCENDIDO).
- Desplace izquierda de la palanca del anegador hasta la posición START (ARRANQUE).

NOTA: Si el motor está caliente, o la temperatura es superior a los 10 °C (50 °F), desplace derecha la palanca del anegador de la posición RUN (FUNCIONAMIENTO).

- Haga girar la llave a la posición "ON".
- Coloque la llave en "ENCENDIDO" o tire del mango del arrancador retráctil hasta que comience a funcionar el motor (seis veces como máximo).

NOTA: No permita que el mango se retraiga violentamente después de arrancar; regréselo suavemente a su lugar original.

NOTA: La batería se envía con poca carga y es posible que deba cargarla para poder arrancar el generador exclusivamente mediante la llave. El generador puede arrancarse tirando del arrancador de reacción. Luego de que el generador arranque, la batería se cargará mientras la unidad esté en funcionamiento.

- Permita que el motor funcione 30 segundos y, después, desplace izquierda la palanca del anegador en la posición RUN (FUNCIONAMIENTO).

APAGADO DEL MOTOR

Vea la figura 20.

Para apagar el motor en condiciones normales de funcionamiento:

- Desconecte del generador toda carga presente.
- Haga girar la llave a "OFF" o para apagar el motor, oprima y no suelte el interruptor en la posición de APAGADO durante hasta que el motor se detenga.

NOTE : El generador puede ser parado girando la llave de interruptor a de o apretando y tiene el interruptor de motor en el tablero de control fijo.

- Ponga la válvula de combustible en la posición OFF (APAGADO).

NOTA: Si fuera necesario apagar el motor inmediatamente, se puede utilizar cualquier interruptor del motor si el panel de control desmontable está conectado a la unidad. El interruptor de encendido y apagado momentáneo del panel de control fijo se puede utilizar como el interruptor de APAGADO principal.

MANTENIMIENTO



ADVERTENCIA:

Al dar servicio a la unidad, sólo utilice piezas de repuesto idénticas. El empleo de piezas diferentes puede causar un peligro o dañar el producto.

Solamente las piezas enumeradas en la lista de piezas pueden ser reparadas o cambiadas por el consumidor. Todas las piezas restantes deben ser reemplazadas en un centro de servicio autorizado.

MANTENIMIENTO GENERAL

Mantenga el generador en un entorno limpio y seco, en el cual no esté expuesto al polvo, tierra, humedad o vapores corrosivos. No permita que las ranuras de aire de ventilación del generador se tapen de materia extraña, como hojas, etc.

No utilice una manguera de jardín para limpiar el generador. El agua que entra al sistema de combustible u otras partes internas puede causar problemas que acortan la vida de servicio del generador.

Para limpiar la unidad:

- Con un cepillo de cerdas suaves y/o una aspiradora afloje y elimine la tierra y la basura.
- Limpie las aberturas de ventilación con aire a baja presión que no se exceda de 25 psi.
- Limpie las superficies exteriores del generador con un paño húmedo.

CAMBIO DEL FUSIBLE

Vea la figura 21.

- Quite el tornillo de la cubierta lateral.
- Levante y retire la cubierta lateral.
- Desatornille el portafusibles para acceder al fusible y al resorte.
- Inserte el fusible nuevo en el orificio y vuelva a ajustar el portafusibles firmemente.

NOTA: si al abrir el portafusibles se sale el resorte, también deberá volver a colocarlo en el fusible antes de ajustar.

- Vuelva a colocar la cubierta lateral.
- Vuelva a colocar el tornillo y ajuste firmemente.

REVISIÓN Y LIMPIEZA DEL FILTRO DE AIRE

Vea la figura 22.

Para obtener un desempeño apropiado y una larga vida útil de la unidad, mantenga limpios los filtro de aire.

- Afloje los tornillos ubicados en la parte superior e inferior de la tapa del filtro de aire. Retire la tapa y hágala a un lado.
- Retire los elementos de filtro.
- Si el elemento de filtro está sucio, lávese con agua jabonosa tibia. Enjuáguelo y déjelo secar.

- Aplique una capa delgada de lubricante a los elementos y, después, estruje para sacar aquél.
- Coloque de nuevo el elemento en la unidad del filtro.
- Vuelva a colocar la tapa del filtro de aire y apriete los tornillos para asegurarla.

NOTA: No ponga a funcionar el generador sin el filtro de aire. Se causa un desgaste acelerado del motor.

CAMBIO DEL LUBRICANTE DEL MOTOR

Vea la figura 23.

- Retire la tapa de relleno de aceite/varilla medidora de aceite.
- Coloque un recipiente bajo el perno de drenaje de aceite para recoger el lubricante a medida que salga.
- Desenrosque el perno de drenaje de aceite y retírelo.
- Permita que se drene completamente el lubricante.
- Instale de nuevo el perno de drenaje de aceite y apriételo firmemente.
- Reabastezca de lubricante la unidad de conformidad con las instrucciones indicadas en el apartado **Verificación y abastecimiento de lubricante**.
- Reinstale la tapa de relleno de aceite/varilla medidora de aceite.

NOTA: El lubricante usado debe desecharse en un sitio de desecho aprobado. Si necesita más información, consulte a un concesionario de aceite de la localidad.

MANTENIMIENTO DE LA BUJÍA

Vea la figura 24.

La bujía debe tener el debido espacio interelectródico y debe estar libre de depósitos para que el motor funcione de forma correcta. Para verificar:

- Retire la tapa de la bujía.
- Limpie toda la tierra presente alrededor de la base de la bujía.
- Retire los bujías con la llave (no incluido).
- Inspeccione la bujía para ver si está dañada, y límpiela con un cepillo de alambre antes de volver a instalarla. Si el aislante está agrietado o desportillado, debe reemplazarse la bujía.

NOTA: Si va a reemplazarla, utilice la bujía recomendadas, o una equivalente: NGK BPR4ES.

- Mida el espacio interelectródico. La separación correcta es 0,7-0,8 mm (0,028-0,031 pulg.). Para ampliar la separación, doble con cuidado el electrodo (superior) de conexión a tierra. Para angostar el espacio, golpee suavemente sobre una superficie dura el electrodo de tierra.
- Asiente en su lugar la bujía y enrósquela con la mano para evitar trasroscarla.
- Apriétela con una llave para comprimir la arandela. Si es nueva la bujía, gírela 1/2 vuelta para comprimir al

MANTENIMIENTO

nivel adecuado la arandela. Si va a volver a usar la bujía vieja, gírela de 1/8 a 1/4 de vuelta para comprimir al nivel adecuado la arandela.

NOTA: Si no se aprieta debidamente, la bujía se calienta mucho y podría dañar el motor.

LIMPIEZA DEL ORIFICIO DE ESCAPE Y DEL SILENCIADOR

Según sea el tipo de combustible empleado, el tipo y cantidad de lubricante empleado, así como las condiciones de funcionamiento, puede obstruirse el orificio de escape y el silenciador con depósitos de carbono. Si observa alguna pérdida de potencia en la productos con motor de gasolina, quizá sea necesario eliminar dichos depósitos para restablecer el desempeño original. Recomendamos enfáticamente que este servicio lo realicen únicamente técnicos de servicio calificados.

PARACHISPAS

Vea la figura 25.

- Revise si el parachispas tiene rasgaduras o agujeros. Reemplácelo si es necesario. Para adquirir un parachispas de repuesto, comuníquese con el Centro de asistencia al cliente de RIDGID llamando al 1-866-539-1710.
- Utilice un cepillo para retirar los depósitos de carbono de la rejilla del parachispas.

DRENAJE DEL TANQUE DEL COMBUSTIBLE Y DEL CARBURADOR

Vea las figuras 26 y 27.

Para evitar los depósitos de sustancias gomosas en el sistema de combustible, vacíe el tanque de combustible y el carburador antes de guardarlo.

DRENAJE DEL TANQUE DE COMBUSTIBLE

- Haga girar la llave del interruptor del motor a OFF o para apagar el motor, oprima y no suelte el interruptor en la posición de APAGADO durante hasta que el motor se detenga.
- Ponga la válvula de combustible en la posición OFF (APAGADO).
- Retire el conducto de combustible de la llave de purga; para ello, apriete los extremos del sujetador de retención y separe el conducto.

- Instale un extremo del conducto de drenaje en la llave de purga, y coloque el otro extremo en un recipiente de combustible de la suficiente capacidad para recibir el combustible drenado del tanque.
- Ponga la válvula de combustible en la posición ON (ENCENDIDO).
- Para obtener un mejor drenaje de combustible, incline levemente la unidad hacia delante (25,4 mm [1 pulg.] aproximadamente).
- Una vez que se haya drenado todo el combustible del tanque, cierre la válvula y vuelva a instalar el conducto en la llave de purga.

DRENAJE DEL CARBURADOR

- Ponga la llave del interruptor del motor en OFF (APAGADO).
- Ponga la válvula de combustible en la posición OFF (APAGADO).
- Coloque un recipiente adecuado bajo el tornillo de drenaje del carburador para recibir el combustible; afloje el tornillo.
- Permita que se drene completamente el combustible y caiga en el recipiente.
- Vuelva a apretar el tornillo de drenaje.

NOTA: Consulte las normas de desecho de residuos peligrosos de la localidad donde se encuentre para averiguar la forma correcta de desechar el combustible usado.

TRANSPORTE

Vea la figura 28.

- Ponga el interruptor de apagado en OFF (O) (APAGADO).
- Ponga la válvula de combustible en la posición OFF (APAGADO).
- Asegúrese de que estén fríos el motor y el escape de la unidad.
- Para seguridad, inserta el pasador para asegurar el mango antes de transportar.
- Al transportar la unidad, manténgala nivelada para evitar que se derrame combustible.
- No deje caer la unidad, no la golpee ni la coloque bajo objetos pesados.

MANTENIMIENTO

ALMACENAMIENTO

Al preparar el generador para guardarlo, deje que la unidad se enfríe por completo y luego siga los lineamientos señalados abajo.

TIEMPO DE ALMACENAMIENTO	ANTES DE GUARDARLO
Menos de dos meses	<ul style="list-style-type: none"> ■ Vacíe el tanque de combustible y colóquelo en un recipiente apropiado según lo establecido por las disposiciones estatales y locales.
De dos meses a un año	<ul style="list-style-type: none"> ■ Drene el combustible del carburador. ■ Vacíe el tanque de combustible y colóquelo en un recipiente apropiado según lo establecido por las disposiciones estatales y locales.
Un año o más	<ul style="list-style-type: none"> ■ Drene el combustible del carburador. ■ Retire la bujía. ■ Vacíe el tanque de combustible y colóquelo en un recipiente apropiado según lo establecido por las disposiciones estatales y locales. ■ Ponga una cucharada sopera de aceite para motor en el cilindro de la bujía. Gire el motor lentamente con la cuerda de tiro para distribuir el aceite. ■ Instale de nuevo la bujía. ■ Cambie el lubricante del motor. <p>Al sacar la unidad después de haberla tenido guardada:</p> <ul style="list-style-type: none"> ■ Reabastezca de gasolina fresca la unidad.

PROGRAMA DE MANTENIMIENTO

	Antes de cada uso	Al cabo del primer mes o 20 horas de funcionamiento	Cada 3 meses o 50 horas de funcionamiento	Cada 6 meses o 100 horas de funcionamiento	Cada año o luego de 300 horas de funcionamiento
Revisar el lubricante del motor	■				
Cambiar el lubricante del motor		■		■	
Revisar el filtro de aire	■				
Limpiar el filtro de aire**			■		
Cambiar el filtro de aire**					■
Comprobar/ajustar la bujía				■	
Reemplazar la bujía					■
Comprobar/ajustar la velocidad de ralentí					■
Comprobar/ajustar el huelgo de válvula*					■
Limpiar el depósito y el filtro de combustible*				■	
Comprobar el tubo de combustible					■

* Estas tareas deben ser efectuadas sólo por el centro de servicio autorizado.

** Consulte el manual del motor para conocer el cronograma de mantenimiento de este elemento.

NOTA: La frecuencia de mantenimiento debe ser mayor si se el generador se usa en zonas de mucho polvo.

Si el generador ha sobrepasado los valores máximos especificados en el cuadro, aun debe seguirse el programa de mantenimiento de acuerdo con los intervalos allí recomendados.

CORRECCIÓN DE PROBLEMAS

PROBLEMA	CAUSA POSIBLE	SOLUCIÓN
El motor no arranca.	<p>La llave del interruptor del motor está en apagado (OFF).</p> <p>No hay combustible.</p> <p>Está bajo el nivel de lubricante.</p> <p>Está cerrada la válvula de combustible (OFF).</p> <p>Bujía defectuosa, sucia o con separación incorrecta.</p> <p>La palanca de anegador está en la posición RUN (FUNCIONAMIENTO).</p> <p>El motor almacenado sin tratamiento ni vaciado de gasolina, o reabastecido de gasolina de mala calidad.</p> <p>Filtro de combustible sucio.</p>	<p>Ponga la llave del interruptor del motor en encendido (ON).</p> <p>Llene el tanque de combustible.</p> <p>Revise el nivel del lubricante del motor, y reabastézcalo si es necesario.</p> <p>Abra la válvula (ON).</p> <p>Reemplace la bujía.</p> <p>Desplace izquierda de la palanca del anegador hasta la posición START (ARRANQUE).</p> <p>Vacíe el combustible y el carburador. Reabastezca de gasolina fresca la unidad.</p> <p>Comuníquese con un centro de servicio autorizado.</p>
Cuesta trabajo arrancar el motor	<p>Hay agua en la gasolina.</p> <p>Está débil la chispa de la bujía.</p>	<p>Drene todo el sistema y reabastézcalo con combustible nuevo.</p> <p>Comuníquese con un centro de servicio autorizado.</p>
Le falta potencia al motor..	<p>Está sucio el filtro de aire.</p> <p>El motor almacenado sin tratamiento ni vaciado de gasolina, o reabastecido de gasolina de mala calidad.</p> <p>Cambio del filtro de combustible.</p>	<p>Compruebe el elemento de filtro de aire. Limpie o reemplace según sea necesario.</p> <p>Vacíe el combustible y el carburador. Reabastezca de gasolina fresca la unidad. Si el problema continúa, comuníquese con un centro de servicio autorizado.</p> <p>Limpie o reemplace según sea necesario.</p>
No funciona el receptáculo de corriente alterna.	<p>El disyuntor está en apagado (OFF).</p> <p>Está defectuoso el dispositivo conectado.</p>	<p>Ponga en encendido (ON) el disyuntor de corriente alterna. Reajuste el GFCI.</p> <p>Pruebe con un dispositivo diferente.</p>
El generador produce un ruido como de “cascabeleo” o “explosiones”	<p>Un leve ruido ocasional de “cascabeleo” o “explosiones” si la carga es pesada no debe ser causa de preocupación. No obstante, si tal cascabeleo o explosiones ocurren con una carga normal a velocidad estable del motor, el problema puede ser la marca de gasolina utilizada.</p>	<p>Cambie a una marca diferente de gasolina, y asegúrese de que sea de un octanaje de 86 por lo menos. Si el problema continúa, comuníquese con un centro de servicio autorizado</p>
Si el problema persiste después de probar las soluciones mencionadas arriba, comuníquese con un centro de servicio autorizado para solicitar asistencia.		
<p>Los siguientes síntomas pueden indicar problemas que afectan el nivel de emisiones de la unidad:</p> <ul style="list-style-type: none"> ■ Arranque difícil o paro del motor después de arrancar ■ Marcha lenta irregular ■ Falla o retardo en la combustión, con la unidad bajo carga ■ Combustión secundaria (combustión retardada) ■ Sale humo negro del escape o consumo elevado de combustible <p>Si encuentra cualquiera de estos síntomas, permita que inspeccionen y reparen la unidad en un centro de servicio autorizado.</p>		

GARANTÍA

RIDGID® GENERADOR GARANTÍA DE LIMITADA DE 3 AÑOS

Debe presentarse prueba de la compra al solicitar servicio al amparo de la garantía.

Este producto está manufacturado por One World Technoloiges, Inc. La licencia de uso de la marca comercial es otorgada por RIDGID, Inc. Toda comunicación en relación con la garantía debe dirigirse a One World Technoloiges, Inc., a la atención de: Servicio Técnico de generador, por el (línea gratuita) 1-866-539-1710.

LO QUE ESTÁ CUBIERTO EN LA GARANTÍA DE LIMITADA DE TRES AÑOS GARANTÍA DE SERVICIO LIMITADA

Se garantiza, solamente para el comprador original, que este generador de RIDGID® está libre de defectos en el material y la mano de obra conforme a ciertas excepciones y limitaciones indicadas abajo, por un período de 3 años después de la fecha de compra.

Las garantías para otros productos de RIDGID® pueden variar.

LO QUE NO ESTÁ CUBIERTO

Esta garantía no es aplicable a aquellos daños por razones de uso indebido, alteraciones, abuso, desgaste y deterioro normal, falta de mantenimiento, accidentes o repara hecho o procurado por cualquier persona con excepción de un centro de servicio autorizado para de generador de RIDGID®.

Esta garantía no cubre la reparación si:

- el uso normal ha agotado la vida útil del generador y las piezas desgastables (incluso las pilas, los paneles de control fijos y desmontables, entre ellos los cordones correspondientes y las tomas, las pantallas digitales, los neumáticos, los enchufes y los disyuntores, los interruptores y los cordones de extensión si corresponde);
- el cliente no instala correctamente, ni mantiene ni opera el producto conforme a las instrucciones y recomendaciones de la empresa, que se establecen en el manual del operador del generador;
- el producto se utiliza como equipo de alquiler
- se daña debido a congelación, exposición a agua, oxidación, corrosión, expansión térmica, fuego, caída o uso inadecuado.

Este garantía no cubre los costos de mano de obra o flete asociados con la inspección y pruebas de la generador cuál se encuentra para no ser una demanda válida de la garantía.

Motor de gasolina - Garantía: el motor de gasolina en una generador cuenta con una garantía independiente por parte el fabricante del motor, la cual es implementada a través de la red de centros de servicio autorizados del fabricante del motor. Ridgid, Inc. y One World Technologies, Inc. niega cualquier y todo expresado o las garantías implícitas con respecto al motor de gasolina.

RIDGID, INC. Y ONE WORLD TECHNOLOGIES, INC. NO OFRECEN NINGUNA GARANTÍA, DECLARACIÓN O PROMESA EN RELACIÓN CON LA CALIDAD O EL DESEMPEÑO DE GENERADOR QUE LAS SEÑALADAS ESPECÍFICAMENTE EN ESTA GARANTÍA.

FORMA DE OBTENER SERVICIO

Para obtener servicio para esta generador RIDGID®, debe devolverla, ya sea con el flete pagado por anticipado, o llevarla a un centro de servicio autorizado para la generador de RIDGID®. Puede obtener información sobre la ubicación del centro de servicio autorizado más cercano llamando al **1-866-539-1710 (línea gratuita)** o dirigiéndose al sitio Web de RIDGID®, en www.ridgid.com. Al solicitar servicio al amparo de la garantía, debe presentar el recibo de venta fechado original. El centro de servicio autorizado reparará toda mano de obra deficiente del producto, y reparará o reemplazará cualquier pieza amparada por la garantía, a nuestra exclusiva discreción, sin ningún costo para el consumidor.

LIMITACIONES ADICIONALES

Hasta donde lo permiten las leyes pertinentes, se desconoce toda garantía implícita, incluidas las garantías de comerciabilidad o idoneidad para un uso en particular. Toda garantía implícita, incluidas las garantías de comerciabilidad o idoneidad para un uso en particular, que no pueda desconocerse según las leyes estatales, está limitada a tres años a partir de la fecha de compra. One World Technoloiges, Inc., y RIDGID®, Inc., no son responsables de daños directos, indirectos, incidentales o consecuentes. Algunos estados no permiten limitaciones en cuanto al período de vigencia de una garantía implícita o no permiten exclusiones o limitaciones de daños incidentales o consecuentes, por lo tanto es posible que esta limitación no se aplique en su caso. Esta garantía le confiere derechos legales específicos, y es posible que usted goce de otros derechos, los cuales pueden variar de un estado a otro.

Esta garantía es válida solamente para productos vendidos en los Estados Unidos, México y Canadá.

Consulte la página Web de RIDGID®, www.ridgid.com, o llame al **1-866-539-1710 (línea gratuita)** para localizar su fabricante-autorizada técnico de servicio más cercano para obtener servicio con o sin garantía para esta lavadora de presión de RIDGID®.

One World Technologies, Inc.

P.O. Box 321, Highway 8

Pickens, SC 219671

MOTOR CON GARANTÍA LIMITADA DE 3 AÑOS

Garantía limitada del fabricante proporcionada por Subaru Robin

(Válida para los motores adquiridos en Robin America, Wood Dale, IL, luego del 1 de Abril de 2008)

Robin America, Inc., una subsidiaria de Fuji Heavy Industries, Ltd. (en adelante denominada "Subaru Robin"), garantiza al comprador minorista original que cada motor nuevo que se venda carecerá de defectos en material y mano de obra bajo condiciones normales de servicio y uso durante el período mencionado abajo a partir de la fecha de venta. La obligación de Subaru Robin bajo esta Garantía limitada cubre únicamente la reparación y el reemplazo, a elección de Subaru Robin, de las partes que, luego de ser examinadas, resulten, a criterio de Subaru Robin, defectuosas en material o mano de obra. Una condición de la obligación de Subaru Robin bajo esta Garantía Limitada será que esta empresa directamente o a través de uno de sus Distribuidores o Centros de Servicio autorizados a realizar el servicio del motor en cuestión, reciban una notificación inmediata de cualquier reclamo de la garantía y que el motor, o las partes presuntamente defectuosas, se envíen inmediatamente con el transporte pagado por adelantado a dicho Distribuidor o Centro de Servicio para realizar la inspección y reparación. Todas las reparaciones que califiquen bajo esta Garantía limitada deben ser realizadas por Subaru Robin, o uno de sus Distribuidores o Centros de Servicios autorizados.

PERÍODOS DE GARANTÍA:

Motores de gasolina Subaru Robin de cuatro tiempos refrigerados por aire: Garantía Limitada de 3 AÑOS (Serie EX / EH y SP 4.3HP o mayores)

La reparación o el reemplazo de las partes bajo esta Garantía limitada no extenderán el plazo de garantía del motor más allá del plazo original establecido anteriormente.

LIMITACIONES Y EXCLUSIONES: Esta Garantía limitada no cubrirá:

- Cigüeñales doblados o rotos, o el daño producido por la vibración propia de un cigüeñal con estas características. Tampoco cubrirá el daño ocasionado por pernos de montaje del motor flojos, o por paletas o accesorios inapropiados o colocados incorrectamente que estén montados en el cigüeñal.
- Reparaciones necesarias a causa de un período de almacenamiento prolongado, incluidos los daños ocasionados por el combustible contaminado o alojado por mucho tiempo en el tanque de combustible, las tuberías o el carburador, las válvulas pegajosas o la corrosión y el óxido en partes del motor.
- Reparaciones necesarias debido al recalentamiento. (Generalmente provocado por la sobrecarga, obstrucción, daño o ante la falta del volante, el ventilador, los conductos de entrada de aire, las aletas de enfriamiento o cubierta de paso de aire).
- Desgaste propio del polvo o la arenilla ocasionado por el mantenimiento inadecuado del filtro de aire (que generalmente provoca el desgaste de los pistones, los aros del pistón, los cilindros, las válvulas, las guías de las válvulas, el carburador u otros componentes internos).
- Piezas rotas o rayadas debido a un bajo nivel de lubricante, suciedad o un grado de lubricante inadecuado.
- Servicios de mantenimiento normales y ajustes al motor, incluidos, entre otros, el ajuste de válvulas, el reemplazo normal de artículos de servicio, combustible, lubricante, etc.
- Cualquier motor que haya estado expuesto a la negligencia, al uso indebido, accidentes, al uso incorrecto o al exceso de velocidad.
- Cualquier motor que haya sido instalado, reparado o alterado por cualquier persona de manera tal que, según el criterio exclusivo de Subaru Robin, se vea afectado su desempeño o fiabilidad.
- Cualquier motor que haya sido montado o reparado con piezas o componentes que no hayan sido fabricados o aprobados por Subaru Robin, y que, según el criterio exclusivo de esta empresa, afecten de modo adverso el desempeño o fiabilidad del motor.
- Circunstancias en las cuales el uso normal haya terminado con la vida útil de un componente o de un motor.

El cliente es responsable de todos los gastos de transporte incurridos ante la realización de tareas cubiertas por la garantía.

Subaru Robin se reserva el derecho de modificar, alterar o mejorar cualquier motor o pieza sin incurrir en ninguna obligación de modificar o reemplazar las piezas o los motores vendidos anteriormente que no cuenten con dicha modificación, alteración o mejora.

Ninguna persona está autorizada a otorgar cualquier otra garantía o a asumir una obligación adicional en nombre de Subaru Robin, a menos que cuente con una autorización por escrito y firmada por un directivo de Subaru Robin.

Algunos estados no permiten limitaciones en cuanto a la duración de una garantía implícita, o a la exclusión o limitación de los daños indirectos o consecuentes, por lo que es posible que las limitaciones o exclusiones antes mencionadas no se apliquen en su caso. Esta garantía le otorga derechos legales específicos. Es posible que usted también tenga otros derechos específicos que varían según cada estado.

ESTA GARANTÍA Y LA OBLIGACIÓN DE SUBARU ROBIN MENCIONADA EN ESTE DOCUMENTO PREVALECE SOBRE CUALQUIER OTRA GARANTÍA U OBLIGACIÓN DE CUALQUIER TIPO EXPRESADA O IMPLÍCITA, INCLUIDA CUALQUIER GARANTÍA DE COMERCIABILIDAD O IDONEIDAD PARA UN FIN EN PARTICULAR. NO EXISTEN GARANTÍAS QUE SE EXTIENDAN MÁS ALLÁ DE LA DESCRIPCIÓN ESPECIFICADA EN EL PRESENTE DOCUMENTO. EN NINGÚN CASO, SUBARU ROBIN SERÁ RESPONSABLE DE CUALQUIER DAÑO INDIRECTO O CONSECUENTE.

GARANTÍA

LA SIGUIENTE DECLARACIÓN DE LA OFICINA DE RECURSOS ATMOSFÉRICOS DE CALIFORNIA (CARB) SE APLICA SÓLO A LOS MODELOS OBLIGADOS A CUMPLIR CON LOS REQUISITOS DE DICHO ORGANISMO.

GARANTÍA EN RELACIÓN CON EL CONTROL DE EMISIONES EVAPORATIVAS

Su nuevo producto a gasolina de RIDGID cumple con todas las normas de emisiones aplicables de la Dirección de protección ambiental (EPA) de EE.UU., de Medioambiente de Canadá (Environment Canada) y del Estado de California.

La porción de emisiones evaporativas de esta cobertura, como se describe a continuación, es suministrada por One World Technologies, Inc. El fabricante del motor proporciona una cobertura de garantía en las emisiones por separado para componentes relacionados con emisiones, como se describe en una "Garantía del sistema de control de emisiones" incluida con este producto. Por supuesto, este producto también incluye una garantía que no está limitada a componentes relacionados con emisiones, como se describe en otra sección de este manual del operador.

DECLARACIÓN DE GARANTÍA EN RELACIÓN CON EL CONTROL DE EMISIONES EVAPORATIVAS

DECLARACIÓN DE GARANTÍA EN RELACIÓN CON EL CONTROL DE EMISIONES EVAPORATIVAS DE CALIFORNIA

DERECHOS Y OBLIGACIONES DEL CONSUMIDOR SEGÚN LA GARANTÍA

La Junta de Recursos Atmosféricos de California (CARB) y One World Technologies, Inc., tienen el gusto de explicar la garantía del sistema de control de emisiones evaporativas en el modelo año 2009 de generador. En California, los motores nuevos que utilizan motores pequeños deben diseñarse, fabricarse y equiparse de manera que cumplan con las rigurosas normas estatales contra la contaminación del aire. One World Technologies, Inc., debe garantizar el sistema de control de emisión evaporativa en la generador durante el período indicado abajo, siempre y cuando dicho equipo no haya sido sujetos a abuso, descuido o mantenimiento indebido.

El sistema de control de emisión evaporativa puede incluir piezas como: tanques, conductos, y tapas de combustible, carburadores, válvulas, recipientes, filtros, mangueras de vapor, abrazaderas, conectores y otros componentes asociados. Para motores de 80 cc o menos, sólo el tanque de combustible está sujeto a los requisitos de la garantía del control de emisión evaporativa de esta sección.

COBERTURA DE LA GARANTÍA DEL FABRICANTE:

Este sistema de control de emisión evaporativa está garantizado por dos años. En caso de existir una pieza defectuosa relacionada con la emisión evaporativa, ésta será reparada o reemplazada por One World Technologies, Inc.

RESPONSABILIDADES DEL PROPIETARIO EN RELACIÓN CON LA GARANTÍA:

- Como propietario de una generador, usted es responsable de la realización del mantenimiento necesario indicado en el manual del propietario. One World Technologies, Inc., le recomienda guardar todos los recibos y facturas de mantenimiento de la generador, no obstante One World Technologies, Inc., no puede negar la cobertura de la garantía únicamente por la carencia de recibos.
- Sin embargo, como propietario de una generador, usted debe saber que One World Technologies, Inc., puede negarle la cobertura de la garantía si dicha generador o una parte de la misma ha fallado debido a abuso, descuido, o mantenimiento indebido o modificaciones no autorizadas.
- Usted es responsable de presentar su generador a un establecimiento de servicio de One World Technologies, Inc., tan pronto como surja el problema. Las reparaciones amparadas por la garantía deben realizarse en un plazo razonable menor de 30 días.

Si tiene alguna pregunta con respecto a la cobertura de la garantía, debe comunicarse con One World Technologies, Inc., al 1-866-539-1710.

REQUISITOS DE LA GARANTÍA DE DEFECTOS:

- (a) El tiempo de garantía inicia en la fecha que el motor o equipo es entregado al comprador final.
- (b) Cobertura de garantía de emisiones evaporativas general. El equipo debe ser garantizado al comprador final y cualquier propietario subsecuente que cuando el sistema de control evaporativo instalado fue:
 - (1) Diseñado, fabricado y equipado de conformidad con todas las normas aplicables; y
 - (2) Libre de defectos en los materiales y mano de obra que puedan causar el defecto de la parte garantizada por un tiempo de dos años.

(c) La garantía en las piezas relacionadas con las emisiones evaporativas será interpretada de la siguiente manera:

- (1) Cualquier pieza garantizada que no está en el calendario para reemplazo como lo requiere el mantenimiento en las instrucciones por escrito debe ser garantizada por el tiempo de garantía definido en la subsección (b)(2). Si cualquier de dichas partes fallan durante el tiempo de la cobertura de la garantía, debe ser reparada o reemplazada por el fabricante que expide la garantía. Cualquier dicha pieza reparada o reemplazada en virtud de la garantía debe ser garantizada por un periodo no menor al tiempo restante de la garantía.
- (2) Cualquier pieza garantizada que está en el calendario sólo para inspección regular en las instrucciones por escrito debe ser garantizada por el tiempo de garantía definido en la subsección (b)(2). Una declaración en dichas instrucciones por escrito para el efecto de "reparar o reemplazar según sea necesario" no reducirá el tiempo de cobertura de la garantía. Cualquier pieza reparada o reemplazada en virtud de la garantía debe ser garantizada por un periodo no inferior al tiempo restante de la garantía.
- (3) Cualquier pieza garantizada que está en el calendario para reemplazo como lo requiere el mantenimiento en las instrucciones por escrito debe ser garantizada por el tiempo previo al primer punto de reemplazo programado para esa pieza. Si la pieza falla previa al primer cambio programado, la pieza debe ser reparada o reemplazada por el fabricante que expide la garantía. Cualquier pieza reparada o reemplazada en virtud de la garantía debe ser garantizada por un periodo no inferior al tiempo al primer punto de reemplazo programado para la pieza.
- (4) La reparación o reemplazo de cualquier pieza garantizada en virtud de las restricciones de la garantía de este artículo debe ser realizada sin cargo al propietario en la estación de garantía.
- (5) No obstante de las restricciones de la subsección (4) anteriormente citada, los servicios o reparaciones de garantía debe ser proporcionados en los centros de distribución que son franquiciados para dar servicio a los motores o equipos sujetos.
- (6) No debe haber cargo para el propietario por la mano de obra de diagnóstico que determina el que una pieza garantizada está defectuosa, siempre y cuando dicho diagnóstico sea realizado en una estación de garantía.
- (7) Durante todo el tiempo de la garantía del sistema de control de emisión evaporativa fijada en la subsección (b)(2), el fabricante que expide la garantía debe mantener un suministro suficiente de piezas garantizadas para cumplir con la demanda esperada para dichas piezas.
- (8) Las piezas de repuesto aprobadas por el fabricantes deben ser utilizadas en la realización de cualquier mantenimiento o reparaciones de garantía y deben ser proporcionadas sin costo al propietario. Tal uso no reducirá las obligaciones de la garantía del fabricante que expide la garantía.
- (9) El uso de piezas modificadas o añadidas será motivo para no permitir un reclamo de la garantía hecho de acuerdo con este artículo. El fabricante que expide la garantía no será responsable en virtud de este artículo a garantizar defectos de piezas garantizadas debido al uso de una pieza modificada o añadida.
- (10) El fabricante que expide esta garantía proporcionará todos los documentos que describen los procedimientos o políticas de garantía dentro de cinco días laborales de la solicitud por la Junta de Recursos Atmosféricos (Air Resources Board).

LISTA DE PIEZAS DE GARANTÍA DE EMISIÓN:

- 1) Tanque de combustible
- 2) Tapa del tanque
- 3) Mangueras de combustible
- 4) Receptáculo de carbón
- 5) Mangueras de vapor
- 6) Abrazaderas de manguera
- 7) Conector de la manguera
- 8) Válvula de retención de vapor / combustible

Las instrucciones por escrito para el mantenimiento y uso del sistema de control de emisiones evaporativas por el propietario deben ser facilitadas con cada generador nueva.

OPERATOR'S MANUAL

Manuel de l'opérateur

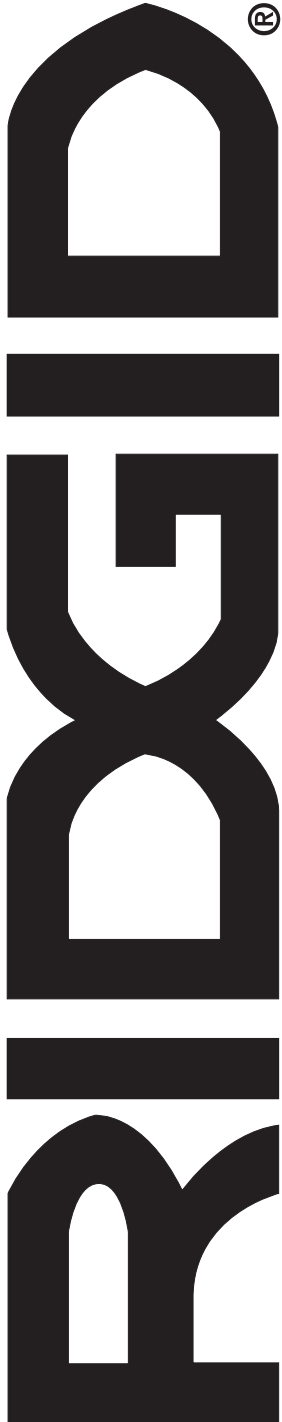
Manual del operador

PORTABLE GENERATOR

Groupe portable

Generador portátil

RD8000/RD80011 Series / Série / Serie



Customer Service Information:

For parts or service, contact your nearest RIDGID authorized service center. Be sure to provide all relevant information when you call or visit. For the location of the authorized service center nearest you, please call 1-866-539-1710 or visit us online at www.ridgid.com.

The model number of this tool is found on a plate attached to the motor housing. Please record the serial number in the space provided below. When ordering repair parts, always give the following information:

Model No. _____

Serial No. _____

Service après-vente :

Pour acheter des pièces ou pour un dépannage, contacter le centre de réparations RIDGID agréé le plus proche. Veiller à fournir toutes les informations pertinentes lors de tout appel téléphonique ou visite. Pour obtenir l'adresse du centre de réparations agréé le plus proche, téléphoner au 1-866-539-1710, ou visiter notre site www.ridgid.com.

Le numéro de modèle se trouve sur une plaquette fixée au boîtier du moteur. Noter le numéro de série dans l'espace ci-dessous. Lors de toute commande de pièces détachées, fournir les informations suivantes :

No. de modèle _____

No. de série _____

Información sobre servicio al consumidor:

Para piezas de repuesto o servicio, comuníquese con el centro de servicio autorizado de productos RIDGID de su preferencia. Asegúrese de proporcionar todos los datos pertinentes al llamar o al presentarse personalmente. Para obtener información sobre el centro de servicio autorizado más cercano a usted, le suplicamos llamar al 1-866-539-1710 o visitar nuestro sitio en la red mundial, en la dirección www.ridgid.com.

El número de modelo de este producto se encuentra en una placa adherida al alojamiento del motor. Le recomendamos anotar el número de serie en el espacio suministrado abajo. Al ordenar piezas de repuesto siempre proporcione la siguiente información:

Núm. de modelo _____

Núm. de serie _____

987000-528
5-4-09 (REV:04)

**See this fold-out section for all of the figures referenced
in the operator's manual.**

**Consulter l'encart à volets afin d'examiner toutes les
figures mentionnées dans le manuel d'utilisation.**

**Consulte esta sección desplegable para ver todas las
figuras a las que se hace referencia en el manual del
operador.**

Fig. 1

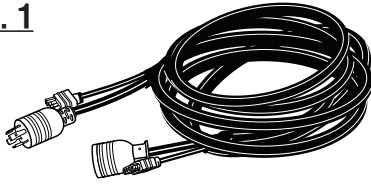
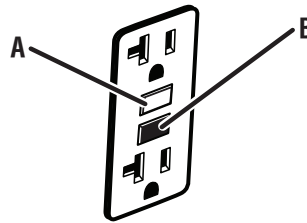


Fig. 2



- A - Reset button (bouton de réinitialisation, botón de reajuste)
- B - Test button (bouton de test, botón de prueba)

Fig. 3

- A - Recoil starter grip (poignée du démarreur à rappel, mango del arrancador retráctil)
- B - Air filter (filtre à air, filtro de aire)
- C - Choke lever (levier d'étrangleur, palanca del anegador)
- D - Removable control panel (panneau de commande amovible, panel de control desmontable)
- E - Fuel cap (bouchon de carburant, tapa del tanque)
- F - Engine switch with switch key (commutateur du moteur avec clé de interrupteur, interruptor del motor con llave del interruptor)

- G - GenSmart™ monitoring system (système de surveillance GenSmart™, sistema de monitoreo GenSmart™)
- H - 120 volt, AC GFCI 20 amp receptacles (prises 120 V, C.A. GFCI 20 A, 120 V de CA GFCI 20 A receptáculos)
- I - 120/240 volt, AC 30 amp receptacle (prise 120/240 V, C.A. 30 A, 120/240 V de CA 30 A receptáculo)
- J - Off switch (commutateur d'arrêt, interruptor de apagado)
- K - AC circuit breaker (disjoncteur de C.A., disyuntor de circuito de CA)
- L - Handle (poignée, mango)

- M - Fuel tank with fuel indicator (réservoir de carburant avec indicateur, tanque de combustible con indicador)
- N - AC circuit breaker model RD80011 (disjoncteur de C.A. modèle RD80011, disyuntor de circuito de CA modelo RD80011)
- O - Ground terminal (borne de terre, terminal de conexión a tierra)
- P - Battery (pile, batería)
- Q - Oil cap/dipstick (bouchon/jauge d'huile, tapa de relleno de aceite/varilla medidora de aceite)
- R - Oil drainage bolt (vis de vidange d'huile, perno de drenaje de aceite)
- S - Handle lock pin (goupille de blocage de la poignée, pasador de seguro del mango)

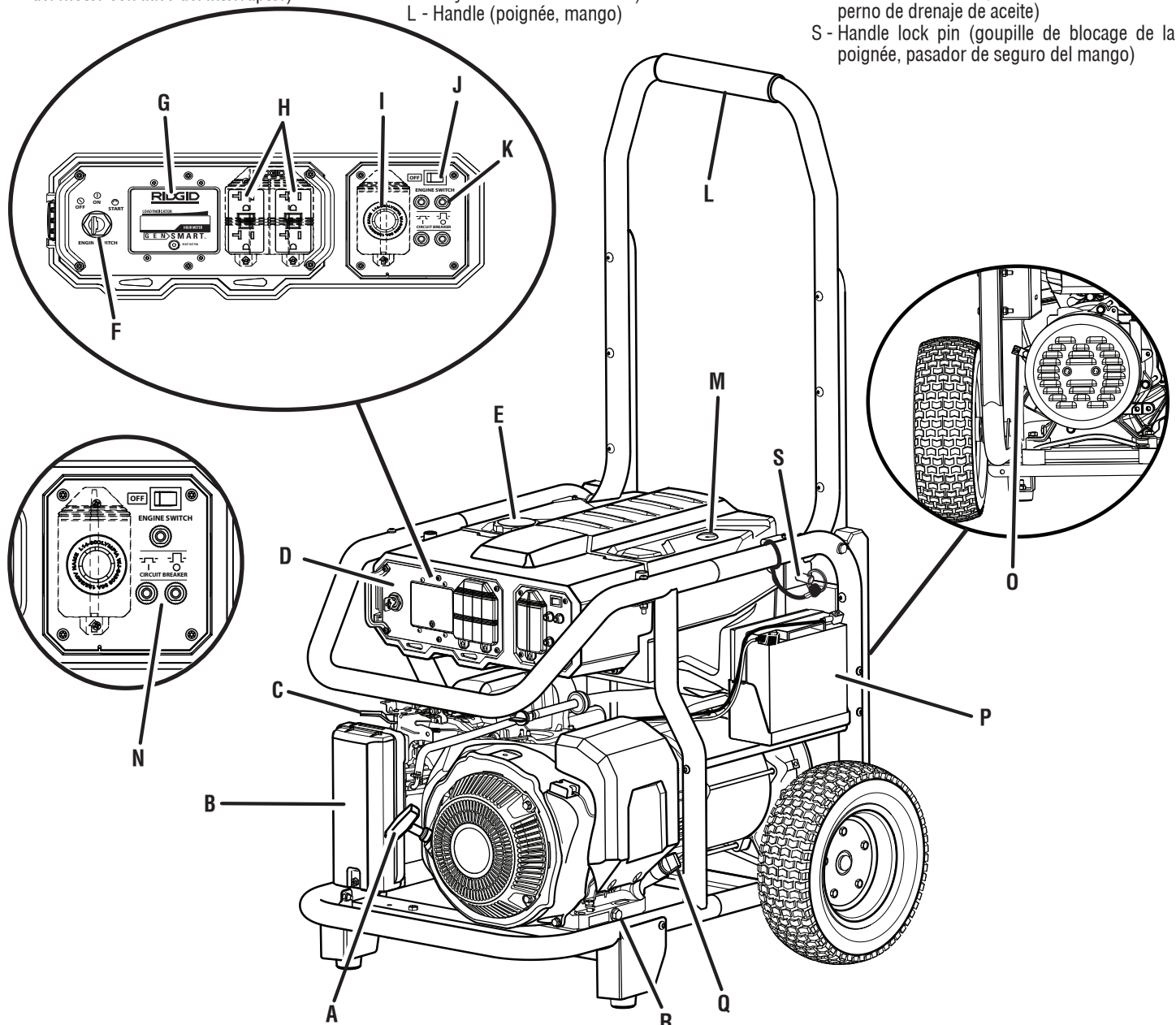
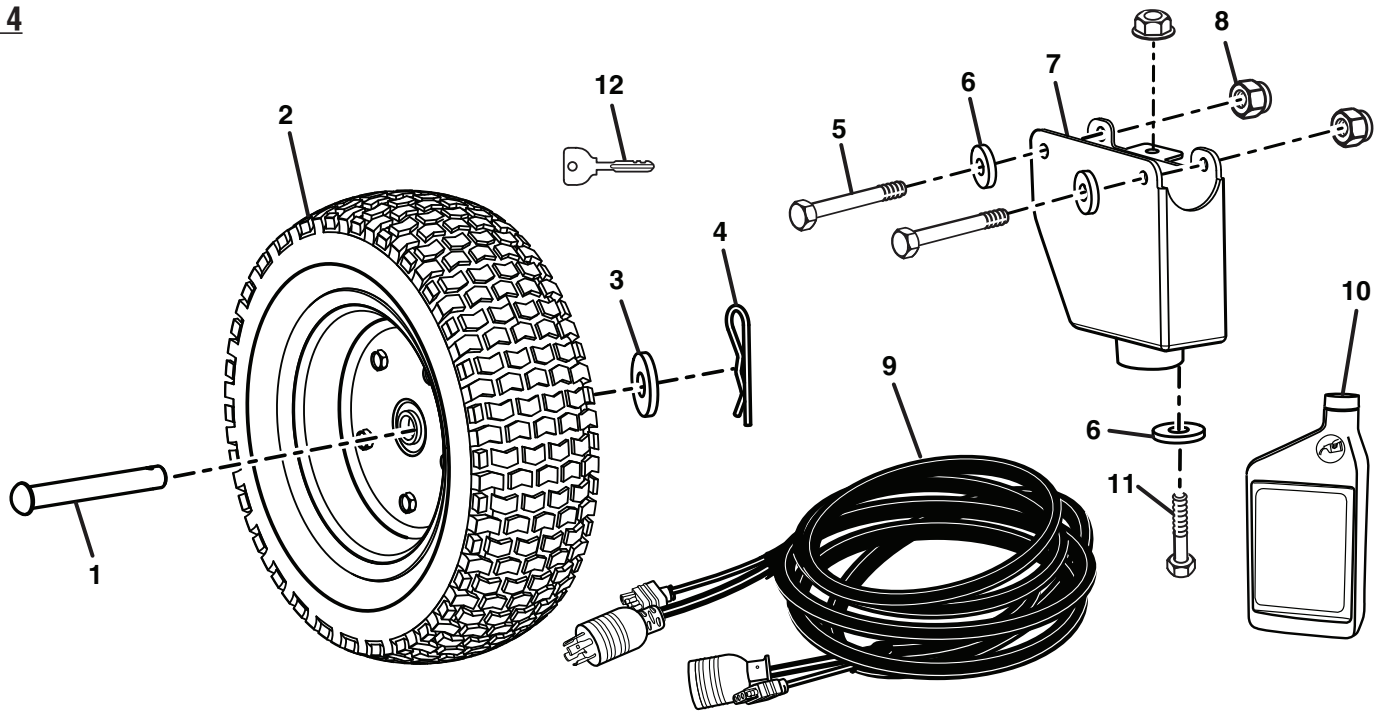


Fig. 4

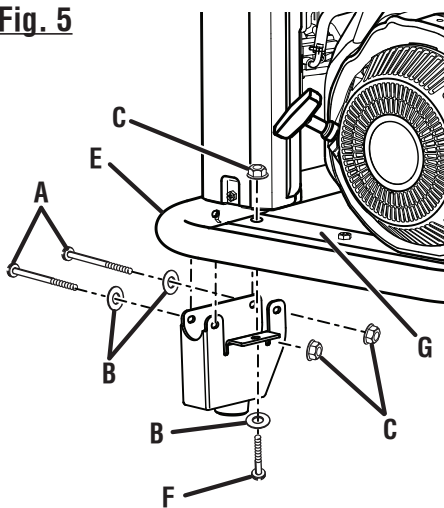


- 1 - Axle (essieu, eje)
- 2 - Wheel (roue, rueda)
- 3 - Flat washer (rondelle plate, arandela plana)
- 4 - Hitch pin (axe de blocage, pasador del enganche)
- 5 - Screw, 2 in. (vis, 2 po; tornillo, 2 pulg.)

- 6 - Flat washer (rondelle plate, arandela plana)
- 7 - Front leg/rubber foot (pied avant/pied en caoutchouc, Pata delantero/pie de goma)
- 8 - Nut (écrou, tuerca)
- 9 - Extension cord, 25 ft. (cordon prolongateurs 25 pi, cordón de extension 25 pies)

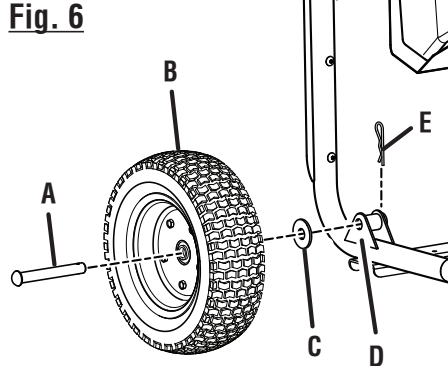
- 10 - Engine lubricant (lubrifiant de moteur, lubricante para motor)
- 11 - Screw, 1 in. (vis, 1 po; tornillo, 1 pulg.)
- 12 - Key (clé, llave)

Fig. 5



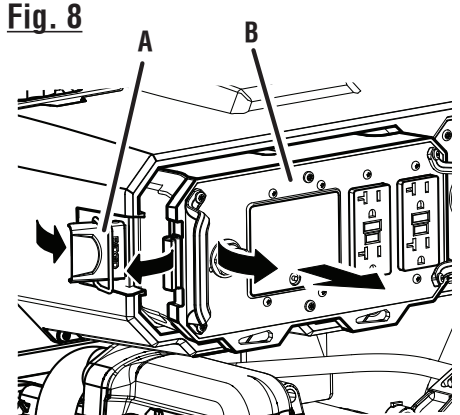
- A - Screw, 2 in. (vis, 2 po; tornillo, 2 pulg.)
- B - Flat washer (rondelle plate, arandela plana)
- C - Lock nut (écrou de blocage, tuerca de seguridad)
- D - Frame support with foot (pied avec patin en caoutchouc, pata con pies de goma)
- E - Hitch pin (goupille de sûreté, pasador de enganche)
- F - Screw, 1 in. (vis, 1 po; tornillo, 1 pulg.)
- G - Frame crossbar (barre stabilisatrice du cadre travesaño del bastidor)

Fig. 6



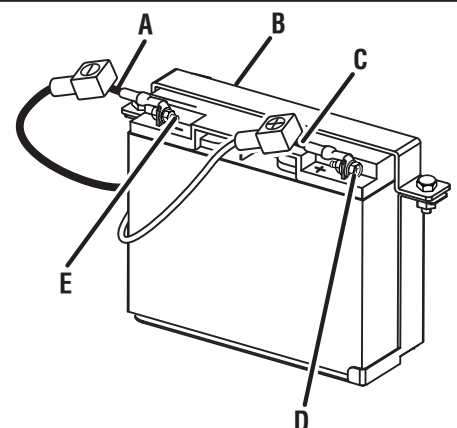
- A - Axle (essieu, eje)
- B - Wheel (roue, rueda)
- C - Flat washer (rondelle plate, arandela plana)
- D - Mount bracket (support de montage, soporte de montaje)
- E - Hitch pin (goupille de sûreté, pasador de enganche)

Fig. 8



- A - Latch (loquet, pestillo)
- B - Removable control panel (panneau de commande amovible, panel de control en distintas)

Fig. 7



- A - Black wire (-) [fil noir (-), cable negro (-)]
- B - Battery bracket (support de pile, soporte de la batería)
- C - Red wire (+) [fil rouge (+), cable rojo (+)]
- D - Positive (+) terminal [borne positive (+), tapa del terminal positiva (+)]
- E - Negative (-) terminal [borne négative (-), terminal negativa (-)]

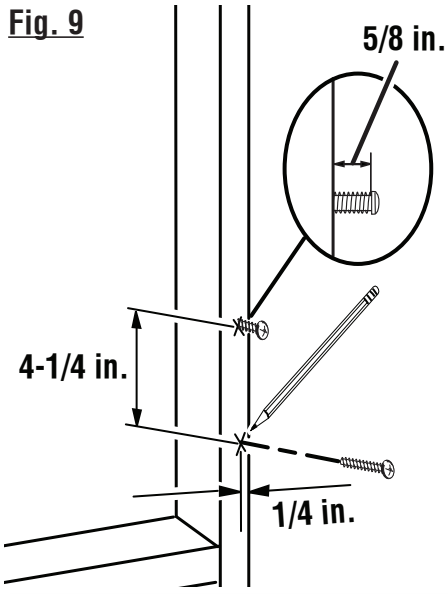


Fig. 10

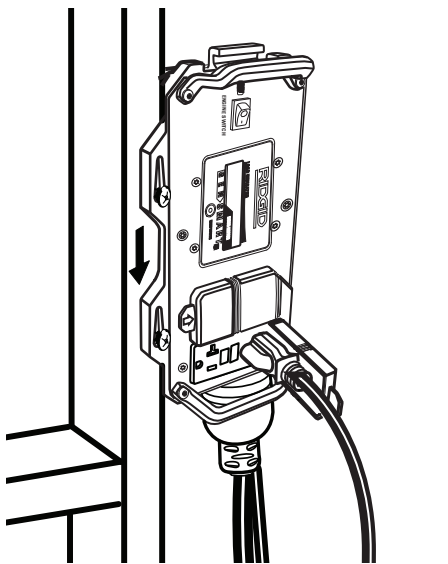
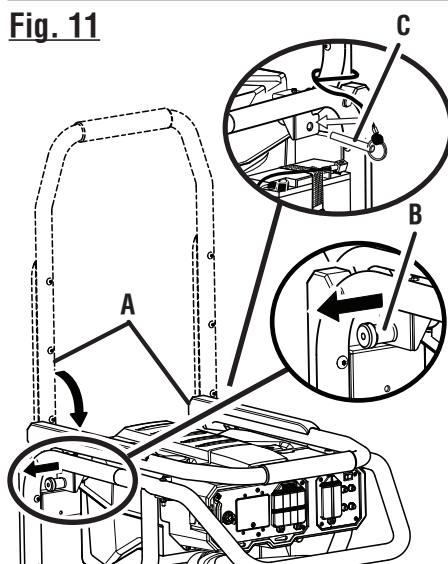
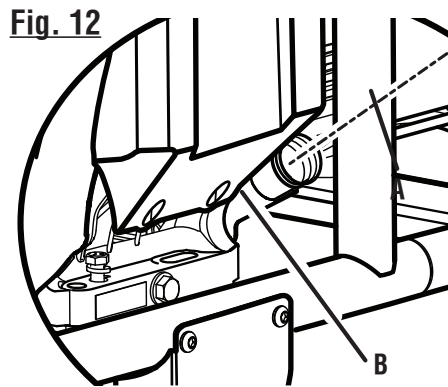


Fig. 11

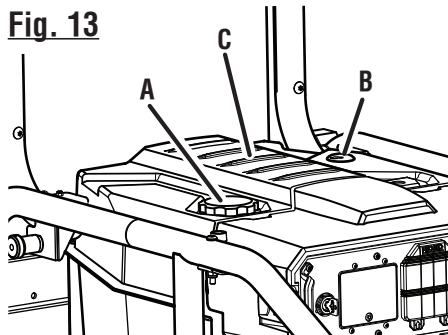


- A - Handle (poignée, mango)
- B - Release knob (relâchez le bouton, perilla de afloje)
- C - Pin (goupille, pasador)



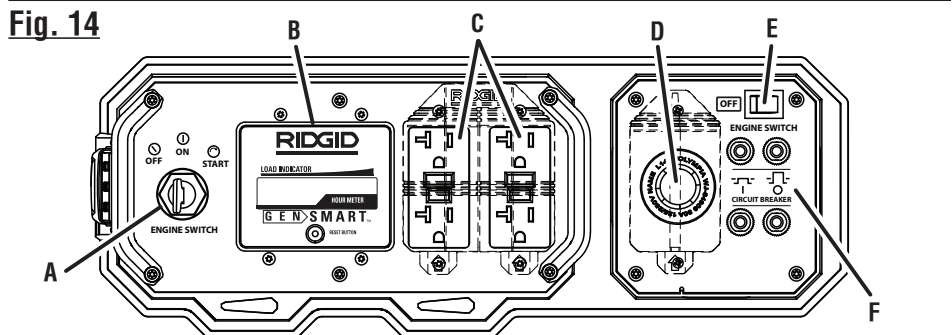
- A - Oil cap/dipstick (bouchon/ jauge d'huile, tapa de relleno de aceite/varilla medidora de aceite)
- B - Oil fill hole (orifice de remplissage d'huile, agujero de llenado de aceite)

Fig. 13



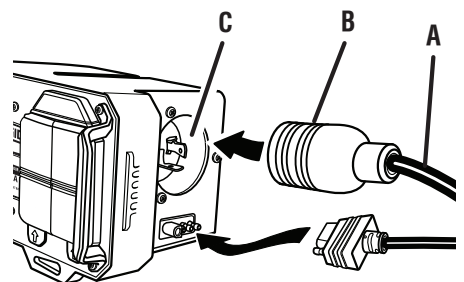
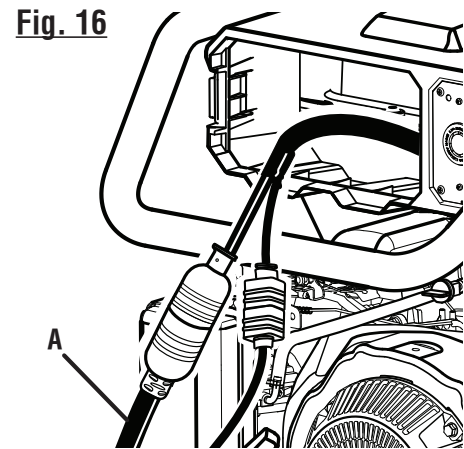
- A - Fuel cap (bouchon de carburant, tapa del tanque de combustible)
- B - Fuel gauge (jauge de carburant, medidor del nivel de combustible)
- C - Fuel tank (réservoir de carburant, tanque de combustible)

Fig. 14



- A - Engine on/off switch (interrupteur marche/arrêt de moteur, interruptor encendido/apagado del motor)
- B - GenSmart™ monitoring system (système de surveillance GenSmart™, sistema de monitoreo GenSmart™)
- C - 120 volt AC GFCI 20 amp receptacles (prises 120 V C.A. 20 A, 120 V de CA GFCI 20 A réceptáculos)

Fig. 16



- A - Extension cord, RDEC25 (cordon prolongateurs RDEC25, cordón de extensión RDEC25)
- B - Twist-lock plug (prise à verrouillage, enchufe de bloqueo de giro)
- C - Twist-lock receptacle (prise à verrouillage par rotation, réceptáculo de fijación por giro)

Fig. 15

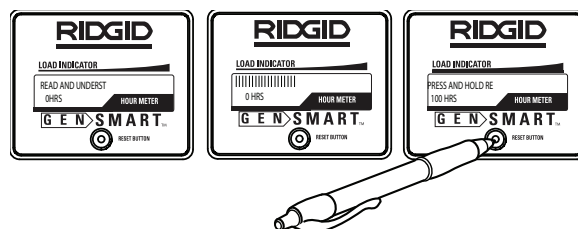


Fig. 17

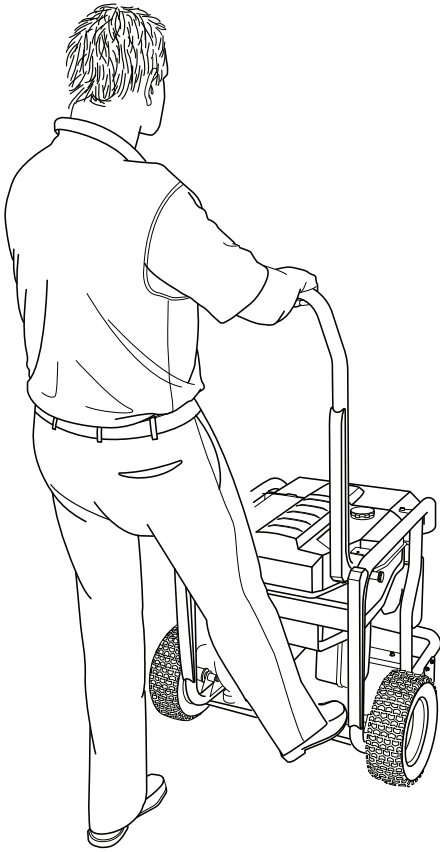
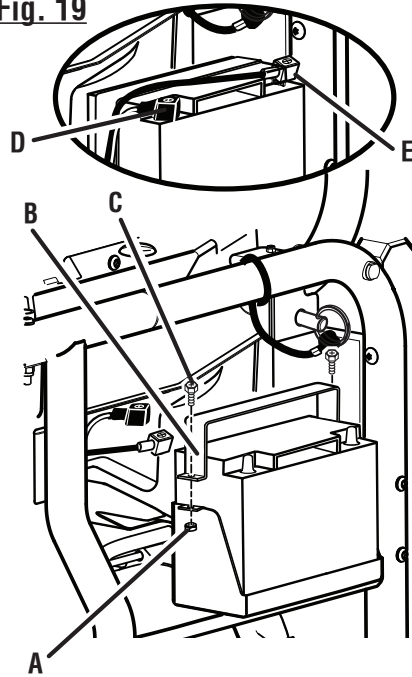
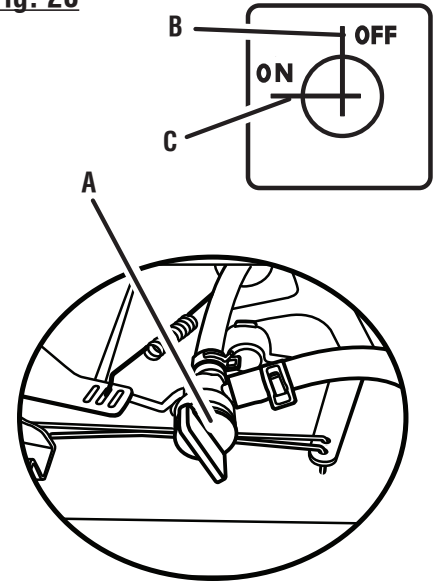


Fig. 19



- A - Nut (écrou tuerca)
- B - Battery bracket (support de pile, placa de batería)
- C - Screw (vis, tornillo)
- D - Negative (-) terminal [borne positive (+), terminal negativa (-)]
- E - Positive (+) terminal [borne positive (+), tapa del terminal positiva (+)]

Fig. 20



- A - Fuel valve (robinet de carburant, válvula de combustible)
- B - Off (arret, apagado)
- C - On (marche, encendido)

Fig. 18

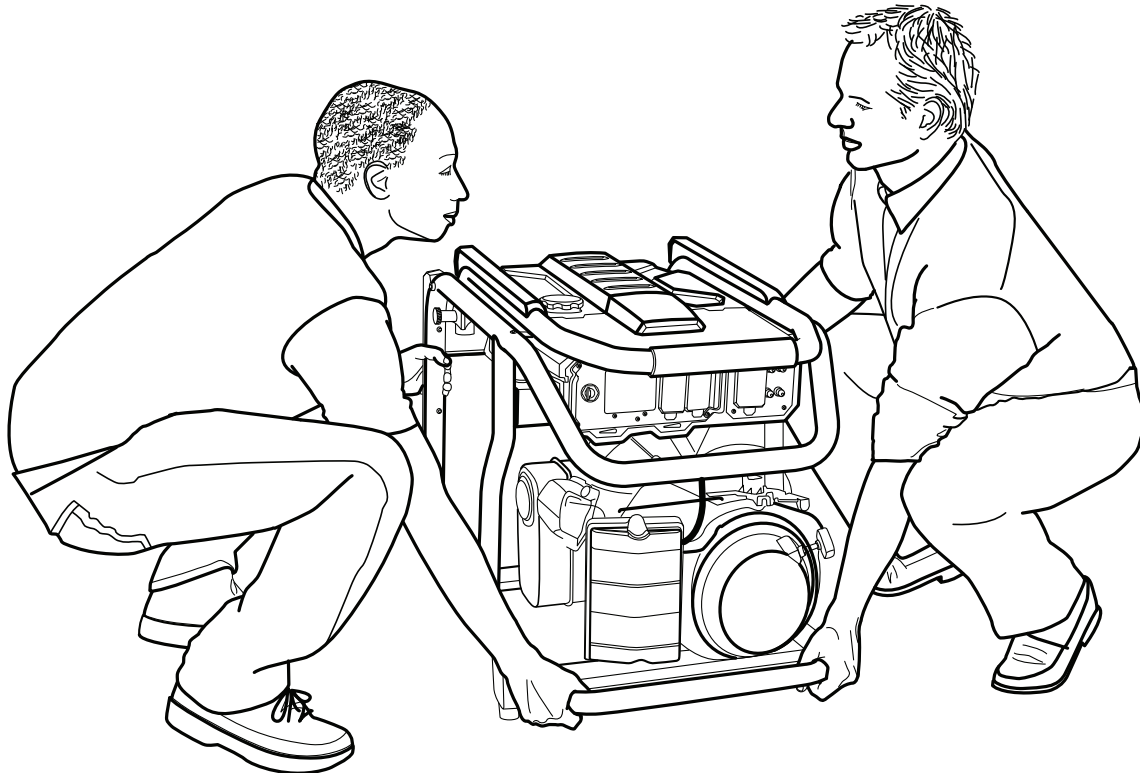
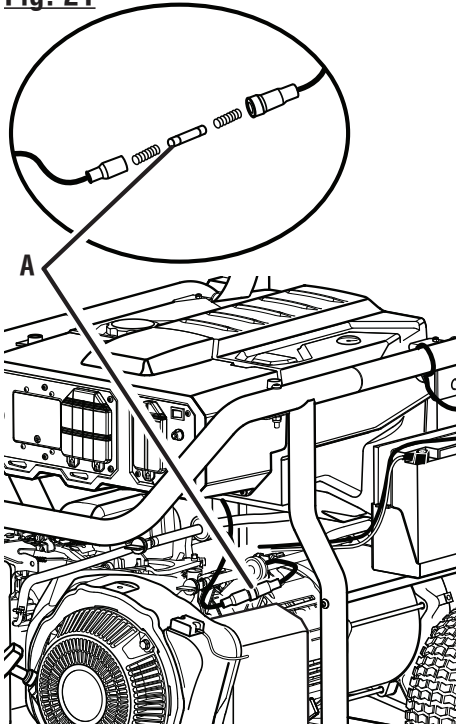
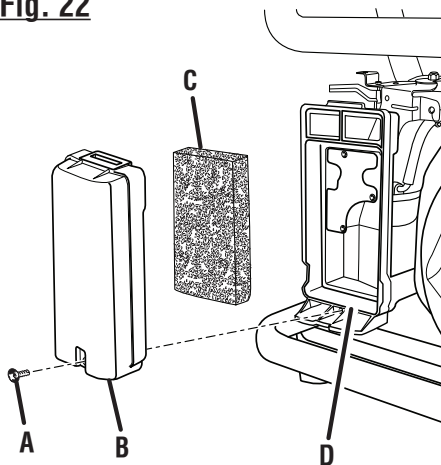


Fig. 21



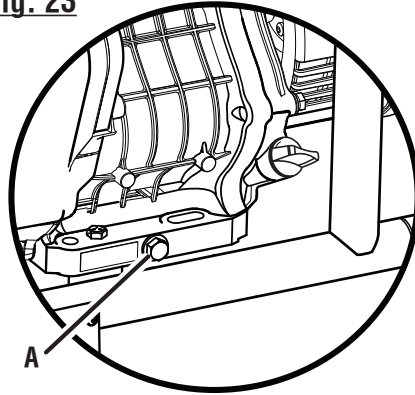
A - Fuse (fusible, circuito)

Fig. 22



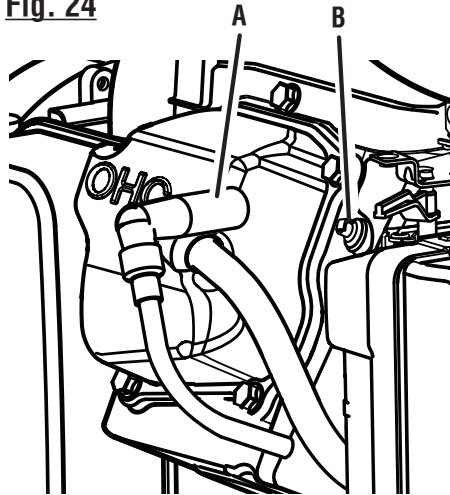
A - Screw (vis, tornillo)
 B - Air filter cover (couvercle du filtre à air, tapa del filtro de aire)
 C - Filter element (élément du filtre, elemento de filtro)
 D - Air filter unit (unité de filtre à air, unidad del filtro de aire)

Fig. 23



A - Oil drainage bolt (oil drainage bolt, oil drainage bolt)

Fig. 24



A - Spark plug cap (capuchon de bougie, tapa de la bujía)
 B - Spark plug (bougie, bujía)

Fig. 25

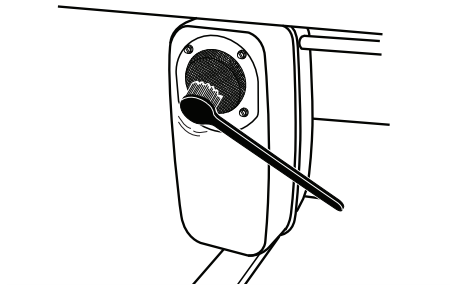
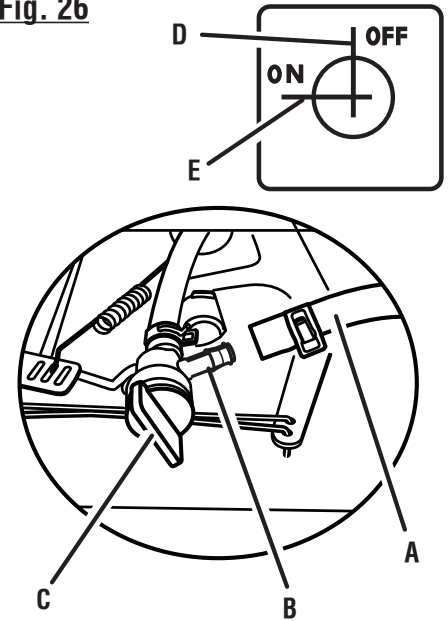
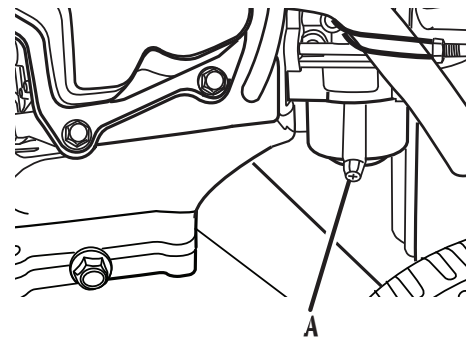


Fig. 26



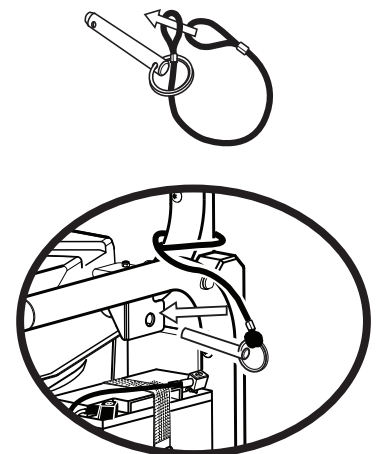
A - Fuel line (conduite de carburant, conducto de combustible)
 B - Petcock (robinet de carburant, llave de purga)
 C - Fuel valve (robinet de carburant, válvula de combustible)
 D - Off (arrêt, apagado)
 E - On (marche, encendido)

Fig. 27



A - Carburetor drain screw (vis de vidange du carburateur, tornillo de drenaje del carburador)

Fig. 28



Free Manuals Download Website

<http://myh66.com>

<http://usermanuals.us>

<http://www.somanuals.com>

<http://www.4manuals.cc>

<http://www.manual-lib.com>

<http://www.404manual.com>

<http://www.luxmanual.com>

<http://aubethermostatmanual.com>

Golf course search by state

<http://golfingnear.com>

Email search by domain

<http://emailbydomain.com>

Auto manuals search

<http://auto.somanuals.com>

TV manuals search

<http://tv.somanuals.com>