

OPERATOR'S MANUAL

DieHard®

Portable Power 1150

**Jump Starter/DC Power Source
Air Compressor, Inflator and AC Power**

**Model No.
200.71988**



CAUTION:

Read all Safety Rules and Operating Instructions,
and follow them with each use of this product.

Sears, Roebuck and Co., Hoffman Estates, IL 60179 U.S.A.

00-99-000865/0808

TABLE OF CONTENTS

SECTION	PAGE
1. IMPORTANT SAFETY INSTRUCTIONS	1
2. PRODUCT FEATURES	2
3. CHARGING THE INTERNAL BATTERY	3
4. JUMP-STARTING A VEHICLE ENGINE	4
5. DIGITAL DISPLAY FUNCTIONS	5
6. POWERING A 12V DC DEVICE	5
7. USING THE USB PORT	6
8. USING THE BUILT-IN LIGHT	6
9. INTERNAL BATTERY REPLACEMENT	7
10. USING THE AIR COMPRESSOR	7
11. USING THE INFLATOR	8
12. ESTIMATED TIME FOR INFLATING	8
13. USING THE DEFLATOR	8
14. BEFORE USING THE INVERTER	9
15. USING THE INVERTER	9
16. POWERING THE 110V AC DEVICE	10
17. EXAMPLE RUN-TIME CHART	10
18. STORAGE AND MAINTENANCE	11
19. SPECIFICATIONS	12
20. AC POWER SPECIFICATIONS	12
21. REPLACEMENT PARTS	12

DieHard One-year Full Warranty

When operated and maintained according to all supplied instructions, if this DieHard product fails due to a defect in material or workmanship within one year from the date of purchase, return it to any Sears store or other DieHard outlet in the United States for free replacement.

This warranty does not include light bulbs, or the inflator hose and adapters, which are expendable parts. This warranty gives you specific legal rights, and you may also have other rights which vary from state to state.

Sears, Roebuck and Co., Hoffman Estates, IL 60179

FOR CUSTOMER ASSISTANCE OR REPLACEMENT PARTS,
CALL TOLL-FREE BETWEEN 7 AM TO 4:30 PM CT
MONDAY THROUGH FRIDAY: 1-800-SEARS-64 (1-800-732-7764)



CONTAINS SEALED NON-SPILLABLE LEAD-ACID BATTERY. MUST BE DISPOSED OF PROPERLY.

WARNING: Possible explosion hazard. Contact with battery acid may cause severe burns and blindness. Keep out of reach of children.

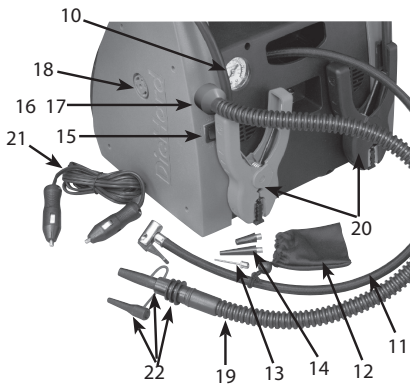
IMPORTANT: CHARGE IMMEDIATELY AFTER PURCHASE

IMPORTANT: READ AND SAVE THIS SAFETY AND INSTRUCTION MANUAL.

1. IMPORTANT SAFETY INSTRUCTIONS

- 1.1 Charge the 1150's internal battery immediately upon purchase, every 30 days and after every use.
- 1.2 Use in a well ventilated space.
- 1.3 Contains a sealed, non-spillable lead-acid battery. Must be disposed of properly.
- 1.4 **WARNING:** Possible explosion hazard. Contact with battery acid may cause severe burns and blindness. Keep out of reach of children.
- 1.5 **WARNING:** Pursuant to California Proposition 65, this product contains chemicals known to the State of California to cause cancer and birth defects or other reproductive harm.
- 1.6 **WARNING:** Failure to follow instructions may cause damage or an explosion. Read entire instruction manual before use. Always wear safety glasses to protect your eyes during use.

2. DIEHARD PORTABLE POWER 1150 JUMP-STARTER/DC POWER SOURCE



1. JUMP START ON/OFF Switch. Turn on to activate clamps and USB.
2. Inverter/Compressor switch. This switch turns the inverter or air compressor on and off.
3. Digital Display – indicates internal and vehicle's battery percentage of charge and displays a code when improperly connected to battery. The display also shows power out when using the inverter.
4. Plastic lens cover
5. Two, light bulbs
6. Two, 12V DC power outlets
7. Two, 110V AC household power outlets.
8. USB port
9. Power Switch (Light/Display). This switch turns on the light or the internal battery status digital display.
10. Air compressor gauge
11. Air compressor hose
12. Air compressor accessory bag
13. Air compressor ball inflation adapter
14. Two, air compressor miscellaneous inflation adapters
15. ON/OFF inflator/deflator switch
16. High-flow inflator outlet
17. Inflator/deflator hose end adapter
18. High-flow deflator outlet
19. Inflator/deflator hose
20. Two cables with clamps
21. Male-to-male accessory 12V charging connector
22. Three inflator/deflator hose device adapters.
23. Wall Charger

3. CHARGING THE INTERNAL BATTERY

IMPORTANT:

- **CHARGE IMMEDIATELY AFTER PURCHASE**
- **KEEP FULLY CHARGED.**

This Portable Power 1150 comes with a sealed, non-spillable DieHard maintenance-free lead-acid battery. This internal battery is specifically designed to deliver high power jump-starting as well as repetitive deep cycling performance.

To charge the Portable Power 1150's internal battery:

- 3.1** Check the internal battery's charge level by pressing the switch marked DISPLAY. The Digital Display will show the battery's percentage. Charge if under 100%

NOTE: Internal battery's percentage is most accurate when the Portable Power 1150 has been disconnected from all devices and charging sources for 1 - 24 hours.

- 3.2** To charge, plug the (external) wall charger cord into the socket on the back of the 1150. Then, plug the wall charger into a 120V AC source.

CAUTION: Operating the Portable Power 1150 while the internal battery is being charged may cause permanent damage to the unit.

- 3.3** While the 1150 is charging, the battery's percentage of charge will be displayed. When the internal battery is fully charged, the display will show 100. Complete charging may take up to 48 hours. The 1150 is then ready to use.

- 3.4** Once the battery is fully charged, the internal charging circuitry automatically switches to float-mode monitoring, which keeps the battery fully charged without overcharging.

The internal battery may also be charged while you drive using the male-to-male accessory cable (available separately, see "Accessories and Replacement Parts" section of this manual). Insert one end of the accessory cable into the 12V DC power outlet and the other end into the vehicle's accessory outlet (lighter socket). Completely disconnect the accessory cable when the engine is not running.

4. JUMP-STARTING A VEHICLE ENGINE

Use in a well-ventilated area. Keep hands, hair, clothing and jewelry clear of fan blades, belts, pulleys and other parts that may cause injury.

- 4.1 Turn ignition off before making cable connections.
- 4.2 Place the 1150 on a flat, stable surface near the vehicle battery and away from moving engine parts.
- 4.3 Connect the red clamp to the positive (+) terminal of the vehicle battery.

NOTE: In the rare case of jump-starting a vehicle that has a positive-grounded vehicle electrical system, connect the black clamp to the negative terminal of the vehicle battery. Then connect the red clamp to an unpainted and unmoving part of the vehicle chassis or engine block. If you are unsure of the nature of the vehicle's electrical grounding system, check the owner's manual of the vehicle or call the Customer Technical Assistance number: 1-800-SEARS-64.

- 4.4 Connect the black clamp to an unpainted and unmoving part of the vehicle chassis or engine block. Do not connect to the carburetor, fuel lines or sheet-metal body parts. The Digital Display displays the vehicle's voltage.

CAUTION: If you have connected the clamps backwards, an audio alarm will sound. DO NOT turn the ON/OFF switch to the ON position. This could cause serious damage. Reverse the connections and the audio alarm will stop.

- 4.5 Turn ON the JUMP START ON/OFF switch and then turn key and crank the engine. If the engine does not start within 5-8 seconds, stop cranking and wait at least one minute before attempting to start the vehicle again. This permits the battery to cool down.
- 4.6 After the engine starts, make sure to turn OFF the Jump Start switch. Then disconnect the black clamp (-) and then the red clamp (+) in that order.
- 4.7 Recharge the 1150 as soon as possible after use.

CAUTION: To prevent sparking while the 1150 jump-start switch is in the ON position, NEVER allow the clamps to touch together or to contact the same piece of metal. Never attempt to charge a frozen battery.

5. DIGITAL DISPLAY FUNCTIONS

- 5.1 To check the 1150's internal battery's status, push the power switch on the front of the 1150 to the DISPLAY position. The display will show the charge percentage of the internal battery.
- 5.2 When connected to the vehicle, the display shows the vehicle's battery voltage. When connected and in the ON position, the display shows the equalized voltage between the vehicle's battery and internal battery. If the display button is pressed, the battery percentage is shown (instead of voltage).
- 5.3 When the inverter is turned on and being used, the display will show the total wattage used by the device being powered by the inverter.

6. POWERING A 12V DC DEVICE

The Portable Power 1150 is a power source for all 12 volt DC accessories that are equipped with a 12V accessory plug. The DC accessory outlet has a 15-amp automatic overload protection circuit breaker. The breaker will automatically reset after an overload occurs.

6.1 To Operate a 12V DC Device:

- Open the protective cover of the DC power outlet on the front panel of the Portable Power 1150.
- Plug the 12V DC device into the DC power outlet, and turn the 12V DC device "ON" (if required).
- If the 12V DC device draws more than 15A, the internal circuit breaker of the Portable Power 1150 will momentarily disconnect power to the device. If this occurs, unplug the device and the circuit breaker will automatically reset after several seconds.
- The DC power outlet is internally wired directly to the internal battery. Extended operation of a 12V DC device may result in excessive battery drain. Recharge immediately after unplugging the device.

6.2 12V DC Electrical Device Example Run-Time Chart

Appliance Type	Estimated Power	Estimated Time*
Fluorescent Lights, Cellular Phones	4 Watts	50 Hours
Radios, Depth Finders, Fans	9 Watts	25 Hours
Camcorders, DVD Players, Spotlights	15 Watts	13 Hours
Electrical Tools, Bilge Pumps	24 Watts	7.3 Hours
Electric Coolers	48 Watts	4.5 Hours
Air Compressors, Car Vacuums	80 Watts	2 Hour

***NOTE:** Estimated run-times. Actual time may vary. Times are based on the internal battery being new, fully charged and operating at room temperature.

7. USING THE USB PORT

The USB port on the 1150 provides up to 500mA at 5VDC.

- 7.1 Turn the JUMP START ON/OFF switch to the ON position.
- 7.2 Plug the device into the USB port on the front panel of the 1150.
- 7.3 Turn USB device ON.
- 7.4 Reverse these steps when finished using the USB port.

8. USING THE BUILT-IN LIGHT

- 8.1 Position the 1150 on a flat, stable surface near the intended work area.
- 8.2 Push the power switch to the LIGHT position. The light will turn on and illuminate your work area.

NOTE: With a fully charged internal battery, the built-in light should provide 18 to 30 hours of continuous, useful light.

- 8.3 Push power switch to the OFF position when work is completed.
- 8.4 Charge the 1150 as soon as possible after using the built-in light.

NOTE: With a fully charged internal battery, the built-in light should provide 18 to 26 hours of continuous useful light, depending on ambient conditions.

9. INTERNAL BATTERY REPLACEMENT

The 1150 is equipped with a built in door, located on the back of the unit, to make replacing the internal battery easy and efficient.

To order a replacement battery, call: 1-800-SEARS-64.

- 9.1 Be sure that all switches are in the OFF position.
- 9.2 Remove clamps from storage pegs on the back of the 1150.
- 9.3 Remove eight screws from the door.
- 9.4 Slide door out.
- 9.5 Remove the negative (first) and positive nuts and bolts securing the cable to the battery.
- 9.6 Push cables to the side and carefully slide battery out of the 1150.
- 9.7 Reverse steps for assembly. Make sure that the nuts and bolts securing the cables are tight.

10. USING THE AIR COMPRESSOR

CAUTION: Read instructions of the product being inflated before using the compressor. Avoid over inflation, do not exceed the manufacturer's recommended pressures. Do not leave the air compressor unattended during use.

- 10.1 Remove the air compressor hose from the storage compartment in the back of the Portable Power 1150. Install adapters as necessary.
- 10.2 Attach the air compressor hose to the product or accessory to be inflated by flipping down the lever.
- 10.3 Place the Inverter/Compressor Switch in the compressor position and inflate product.
- 10.4 When the product is inflated to the proper air pressure (using the air compressor gauge) place the Inverter/Compressor Switch in the OFF position and remove the hose.
- 10.5 Do not run for more than 10 minutes maximum at a time. Allow the 1150 to cool down for 10 minutes before using again.

NOTE: If the compressor overheats, the built-in thermal protection will turn the unit off. Wait a few minutes and it will automatically restart.

NOTE: The air compressor is rated for 150 PSI.

10.6 Estimated Time for Inflating

Vehicle Tires 13" to 16"	6 to 24 minutes
Bike Tire	1 to 3 minutes
Sports Balls	30 seconds

Use the air compressor gauge to ensure the proper pressure has been reached. Do not over inflate.

11. USING THE INFLATOR

CAUTION: Read instructions of the product being inflated before using the inflator. Avoid over inflation, do not exceed the manufacturer's recommended pressures. Do not leave the inflator unattended during use.

- 11.1 Attach the corrugated hose with end adapter to the high-flow inflator outlet located directly above the inflator ON / OFF switch on the back of the 1150.
- 11.2 The main accessory adapter attached to the corrugated hose accommodates up to 4 sizes. If another size is needed an additional adapter can be attached to the end of the main accessory adapter.
- 11.3 Insert the adapter into the product to be inflated.
- 11.4 Push the inflator switch to the ON position and inflate product.
- 11.5 When product is inflated to the desired level, push the inflator switch to the OFF position and remove the adapter.

12. ESTIMATED TIME FOR INFLATING

24" Beach Ball	1 to 3 minutes
Pool Raft	4 to 6 minutes
Queen-size Air Mattress	4 to 8 minutes
2 Person Boat	8 to 10 minutes

*Times may vary depending on size and product features.

13. USING THE DEFLATOR

- 13.1 Attach the corrugated hose with the end adapter to the high-flow deflator outlet which is located on the right side of the 1150.
- 13.2 The main accessory adapter attached to the corrugated hose accommodates up to 4 sizes. If another size is needed, an additional adapter can be attached to the end of the main accessory adapter.
- 13.3 Insert the adapter into the item to be deflated.
- 13.4 Push the inflator switch to the ON position and deflate item.
- 13.5 When product is deflated to the desired level, push the inflator switch to the OFF position and remove the adapter.

14. BEFORE USING THE INVERTER

Important Safety Instructions:

- 14.1 Keep the 1150 well ventilated in order to properly disperse heat generated while it is in use. Make sure there are several inches of clearance around the top and sides and do not block the vents on the back of the 1150.
- 14.2 Make sure the 1150 is not close to any potential source of flammable fumes, gases or clothing.
- 14.3 Keep the 1150 dry.
- 14.4 DO NOT allow the 1150 to come into contact with rain or moisture.
- 14.5 DO NOT operate the 1150 if you, the 1150, the device being operated or any other surfaces that may come in contact with any power source are wet. Water and many other liquids can conduct electricity, which may lead to serious injury.
- 14.6 Do not place the 1150 on or near heating vents, radiators or other sources of heat.
- 14.7 Do not place the 1150 in direct sunlight. The ideal air temperature for operation is between 50° and 80°F.
- 14.8 Do not use inverter near open engine compartment where fumes or gases may accumulate.
- 14.9 Do not modify the AC receptacles in any way.

15. USING THE INVERTER

It is important to know the continuous wattage of the device you plan to use with the inverter. The Portable Power 1150 must be used with devices drawing 400 watts or less. If the wattage is not marked on the device, use only devices that draw less than 4 Amps of AC.

Devices like TVs, fans or electric motors require additional power to start (commonly known as the “starting or peak power”). The Portable Power 1150 can supply a momentary surge in wattage; however even devices rated less than the maximum 400 watts can exceed the inverters surge capability and cause an automatic overload shutdown.

Make sure the device you are using is compatible with a modified sine wave inverter.

CAUTION: Always run a test to establish whether the inverter will operate a particular piece of equipment or device.

NOTE: In the event of a power overload, the inverter is designed to automatically shut down. This safety feature prevents damaging the inverter while testing devices and equipment with the 400-watt range.

Note: If powering more than one device, start one device at a time to avoid a power surge and/or inverter overload. The surge load of each device should not exceed the inverter’s Continuous Operation wattage rate.

16. POWERING A 110V AC DEVICE

To operate a 110V AC device:

- 16.1 Open the protective cover of the AC power outlet on the front panel of the Portable Power 1150.
- 16.2 Plug the 110V AC device into the AC power outlet, and place the Inverter/Compressor Switch in the INVERTER position.
- 16.3 If the device does not operate properly when first connected to the inverter, push the inverter rocker switch ON (I), OFF (O), and ON (I) again in quick succession. If this procedure is not successful, it is likely that the 1150 inverter does not have the required capacity to operate the device intended.
- 16.4 Charge the Portable Power 1150 as soon as possible after each use.

CAUTION: Incorrect operation of your inverter may result in damage and personal injury. The inverter output is 110V AC and can shock or electrocute the same as any ordinary household AC wall outlet.

17. 110V AC ELECTRICAL DEVICE EXAMPLE RUN-TIME CHART

Appliance Type	Estimated Power	Estimated Time*
Spotlights, Sump Pumps, DVD Players	100 Watts	1.5 Hours
Faxes, TVs, Small Power Tools	150 Watts	1.25 Hours
Computer Printer, Medium Power Tools, Blenders	200 Watts	55 Minutes

The maximum continuous load is 400 watts.

***NOTE:** Estimated run-times. Actual time may vary. Times are based on the internal battery being new, fully charged and operated at room temperature.

18. STORAGE AND MAINTENANCE

IMPORTANT:

- **CHARGE IMMEDIATELY AFTER PURCHASE**
- **KEEP FULLY CHARGED.**

Charge the 1150 internal battery immediately upon purchase, every 30 days and after every use.

All batteries are affected by temperature. The ideal storage temperature is between 40 and 70 degrees Fahrenheit. The internal battery will gradually self-discharge (lose power) over time and more quickly in warm environments. Leaving the battery in a discharged state may result in permanent battery damage. To ensure satisfactory performance and avoid permanent damage, charge the internal battery every month.

When the JUMP START ON/OFF switch is ON, the clamps are live and will produce arcing or sparking if they come in contact with each other. To prevent accidental arcing, always keep the clamps on the storage holders and the JUMP START ON/OFF switch in the OFF position when not using it to jump start a vehicle.

18.1 Replacing the built-in light

To replace the built-in light bulb:

1. Turn the light off.
2. Insert a standard (flat blade) screwdriver into one of the two slots along the bottom of the plastic lens and GENTLY pop the lens out. Repeat for the other side.
3. Gently grasp the bulb and twist counter-clockwise one quarter-turn to unscrew the bulb.
4. Insert a replacement bulb of the same type and rating, and twist clockwise one quarter-turn to screw in the new bulb.
5. Replace the lens cover.
6. Test the light by switching the light on and off.

18.2 Customer Technical Assistance

Customer technical assistance is available Monday-Friday, 7 am to 4:30 pm Central Time by phoning 1-800-SEARS-64.

19. SPECIFICATIONS

Internal Battery Type	DieHard Maintenance-free AGM Lead-acid
Nominal Voltage	12v DC
Capacity	22 Ah
DC Power Outlet (Max. Continuous Load)	15A per outlet
Built-in Light Bulb (Replaceable)	5w/12v DC (Base type BA9S)
Jumper Cables	4-gauge AWG, 24 Inches
Dimensions (H x W x D)	12 H x 11.5 x 10.5 Inches
Product Weight	24.5 lbs.

20. AC POWER SPECIFICATIONS

Maximum Continuous Power	400 Watts
Surge Capacity (Peak Power)	800 Watts
No Load Current Draw	<0.4 Amps
Wave Form	Modified Sine Wave
Input Voltage Range	10.5 - 15.5V DC
AC Outlets	Two, 110V AC 3-Prong Grounded

21. REPLACEMENT PARTS

Parts and customer technical assistance are available Monday-Friday, 7 am to 4:30 pm Central Time at 1-800-SEARS-64.

Air Compressor Accessory Kit: (3 Hose Adaptors)
00-99-000599

Inflator Accessory Kit: (Inflator / Deflator Hose, Unit End
and 3 Hose Adaptors) 00-99-000598

Male-to-Male Accessory Cable: 38-99-000834

Replacement Light Bulb: 00-00-000722

Lens Cover: 37-99-00382-0

Wall Charger: 93026681

Replacement Battery Kit: 2299001766

Free Manuals Download Website

<http://myh66.com>

<http://usermanuals.us>

<http://www.somanuals.com>

<http://www.4manuals.cc>

<http://www.manual-lib.com>

<http://www.404manual.com>

<http://www.luxmanual.com>

<http://aubethermostatmanual.com>

Golf course search by state

<http://golfingnear.com>

Email search by domain

<http://emailbydomain.com>

Auto manuals search

<http://auto.somanuals.com>

TV manuals search

<http://tv.somanuals.com>