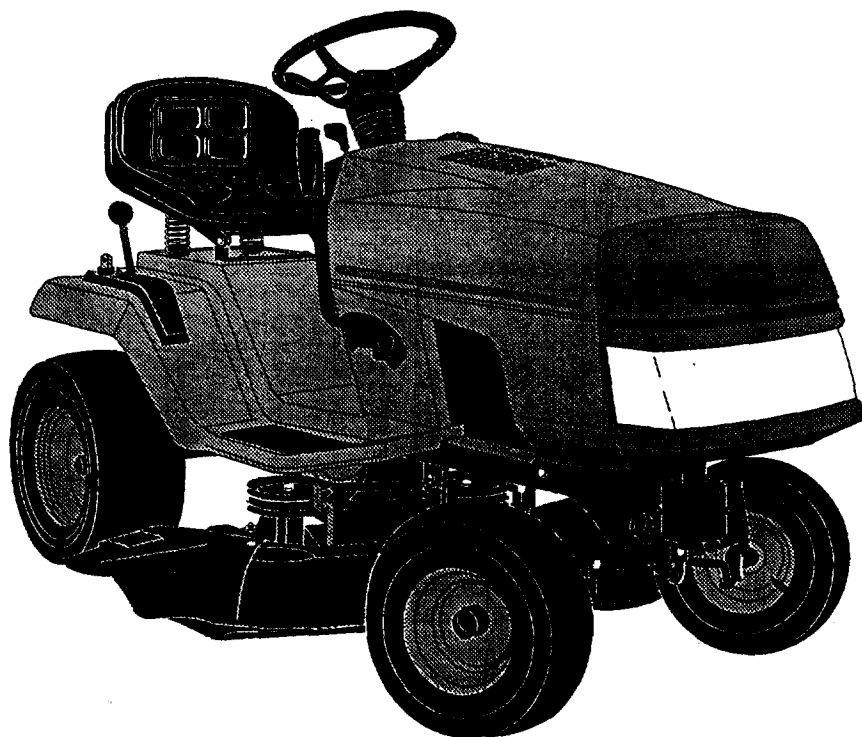


SEARS
OWNER'S
MANUAL

MODEL NO.
917.257462

Caution:
Read and follow
all Safety Rules
and Instructions
Before Operating
This Equipment



CRAFTSMAN[®]

**12.0 HP
ELECTRIC START
36" MOWER
6 SPEED
LAWN RIDER**

- Assembly
- Operation
- Maintenance
- Service and Adjustment
- Repair Parts

Sears, Roebuck and Co., Chicago, IL 60684 U.S.A.



SAFETY RULES

Safe Operation Practices for Ride-On Mowers



IMPORTANT: THIS CUTTING MACHINE IS CAPABLE OF AMPUTATING HANDS AND FEET AND THROWING OBJECTS. FAILURE TO OBSERVE THE FOLLOWING SAFETY INSTRUCTIONS COULD RESULT IN SERIOUS INJURY OR DEATH.

I. GENERAL OPERATION

- Read, understand, and follow all instructions in the manual and on the machine before starting.
- Only allow responsible adults, who are familiar with the instructions, to operate the machine.
- Clear the area of objects such as rocks, toys, wire, etc., which could be picked up and thrown by the blade.
- Be sure the area is clear of other people before mowing. Stop machine if anyone enters the area.
- Never carry passengers.
- Do not mow in reverse unless absolutely necessary. Always look down and behind before and while backing.
- Be aware of the mower discharge direction and do not point it at anyone. Do not operate the mower without either the entire grass catcher or the guard in place.
- Slow down before turning.
- Never leave a running machine unattended. Always turn off blades, set parking brake, stop engine, and remove keys before dismounting.
- Turn off blades when not mowing.
- Stop engine before removing grass catcher or unclogging chute.
- Mow only in daylight or good artificial light.
- Do not operate the machine while under the influence of alcohol or drugs.
- Watch for traffic when operating near or crossing roadways.
- Use extra care when loading or unloading the machine into a trailer or truck.

II. SLOPE OPERATION

Slopes are a major factor related to loss-of-control and tipover accidents, which can result in severe injury or death. All slopes require extra caution. If you cannot back up the slope or if you feel uneasy on it, do not mow it.

DO:

- Mow up and down slopes, not across.
- Remove obstacles such as rocks, tree limbs, etc.
- Watch for holes, ruts, or bumps. Uneven terrain could overturn the machine. *Tall grass can hide obstacles.*
- Use slow speed. Choose a low gear so that you will not have to stop or shift while on the slope.
- Follow the manufacturer's recommendations for wheel weights or counterweights to improve stability.
- Use extra care with grass catchers or other attachments. These can change the stability of the machine.
- Keep all movement on the slopes *slow* and *gradual*. Do not make sudden changes in speed or direction.
- Avoid starting or stopping on a slope. If tires lose traction, disengage the blades and proceed slowly *straight* down the slope.

DO NOT:

- *Do not* turn on slopes unless necessary, and then, turn slowly and gradually downhill, if possible.
- *Do not* mow near drop-offs, ditches, or embankments. The mower could suddenly turn over if a wheel is over the edge of a cliff or ditch, or if an edge caves in.
- *Do not* mow on wet grass. Reduced traction could cause sliding.
- *Do not* try to stabilize the machine by putting your foot on the ground.
- *Do not* use grass catcher on steep slopes.

III. CHILDREN

Tragic accidents can occur if the operator is not alert to the presence of children. Children are often attracted to the machine and the mowing activity. *Never* assume that children will remain where you last saw them.

- Keep children out of the mowing area and under the watchful care of another responsible adult.
- Be alert and turn machine off if children enter the area.
- Before and when backing, look behind and *down* for small children.
- Never carry children. They may fall off and be seriously injured or interfere with the safe machine operation.
- Never allow children to operate the machine.
- Use extra care when approaching blind corners, shrubs, trees, or other objects that may obscure vision.

IV. SERVICE

- Use extra care in handling gasoline and other fuels. They are flammable and vapors are explosive.
 - Use only an approved container.
 - Never remove gas cap or add fuel with the engine running. Allow engine to cool before refueling. Do not smoke.
 - Never refuel the machine indoors.
 - Never store the machine or fuel container inside where there is an open flame, such as a water heater.
- Never run a machine inside a closed area.
- Keep nuts and bolts, especially blade attachment bolts, tight and keep equipment in good condition.
- Never tamper with safety devices. Check their proper operation regularly.
- Keep machine free of grass, leaves, or other debris build-up. Clean oil or fuel spillage. Allow machine to cool before storing.
- Stop and inspect the equipment if you strike an object. Repair, if necessary, before restarting.
- Never make adjustments or repairs with the engine running.
- Grass catcher components are subject to wear, damage, and deterioration, which could expose moving parts or allow objects to be thrown. Frequently check components and replace with manufacturer's recommended parts, when necessary.
- Mower blades are sharp and can cut. Wrap the blade(s) or wear gloves, and use extra caution when servicing them.
- Check brake operation frequently. Adjust and service as required.



Look for this symbol to point out important safety precautions. It means CAUTION!!! BECOME ALERT!!! YOUR SAFETY IS INVOLVED.



CAUTION: Always disconnect spark plug wire and place wire where it cannot contact spark plug in order to prevent accidental starting when setting up, transporting, adjusting or making repairs.

CONGRATULATIONS on your purchase of a Sears Lawn Rider. It has been designed, engineered and manufactured to give you the best possible dependability and performance.

Should you experience any problem you cannot easily remedy, please contact your nearest Sears Service Center/Department. We have competent, well-trained technicians and the proper tools to service or repair this unit.

Please read and retain this manual. The instructions will enable you to assemble and maintain your unit properly. Always observe the "SAFETY RULES".

MODEL NUMBER	917.257462
SERIAL NUMBER	_____
DATE OF PURCHASE	_____
THE MODEL AND SERIAL NUMBERS WILL BE FOUND ON A PLATE UNDER THE SEAT.	
YOU SHOULD RECORD BOTH SERIAL NUMBER AND DATE OF PURCHASE AND KEEP IN A SAFE PLACE FOR FUTURE REFERENCE.	

MAINTENANCE AGREEMENT

A Sears Maintenance Agreement is available on this product. Contact your nearest Sears store for details.

CUSTOMER RESPONSIBILITIES

- Read and observe the safety rules.
- Follow a regular schedule in maintaining, caring for and using your unit.
- Follow the instructions under "Maintenance" and "Storage" sections of this owner's manual.

PRODUCT SPECIFICATIONS

HORSEPOWER:	12.0
GASOLINE CAPACITY:	1.4 GALLONS UNLEADED REGULAR
OIL (3.0 PINTS)	SAE 30 (or 10W-30) WINTER: SAE 5W-30
SPARK PLUG (GAP .030 IN.):	CHAMPION RJ-19LM STD361458
VALVE CLEARANCE:	INTAKE .005 - .007 IN. EXHAUST .009 - .011 IN.
GROUND SPEED:	FORWARD 1st .95 MPH 2nd 1.25 MPH 3rd 1.94 MPH 4th 2.91 MPH 5th 3.71 MPH 6th 4.76 MPH REVERSE: 1.46 MPH
TIRE PRESSURE:	FRONT: 14 PSI REAR: 12 PSI
CHARGING SYSTEM:	3 AMPS BATTERY @3600 RPM
BLADE BOLT TORQUE:	30-35 FT. LBS.

WARNING: This unit is equipped with an internal combustion engine and should not be used on or near any unimproved forest-covered, brush-covered or grass-covered land unless the engine's exhaust system is equipped with a spark arrester meeting applicable local or state laws (if any). If a spark arrester is used, it should be maintained in effective working order by the operator.

In the state of California the above is required by law (Section 4442 of the California Public Resources Code). Other states may have similar laws. Federal laws apply on federal lands. A spark arrester for the muffler is available through your nearest Sears Authorized Service Center (See REPAIR PARTS section of this manual).

LIMITED TWO YEAR WARRANTY ON ELECTRIC START RIDING EQUIPMENT

For two years from date of purchase, when this riding equipment is maintained, lubricated, and tuned up according to the operating and maintenance instructions in the owner's manual, Sears will repair free of charge any defect in material or workmanship.

This Warranty does not cover:

- Tire replacement or repair caused by punctures from outside objects (such as nails, thorns, stumps, or glass).
- Expendable items which become worn during normal use, such as blades, spark plug, air cleaners and belts.
- Repairs necessary because of operator abuse or negligence, including bent crankshafts and the failure to maintain the equipment according to the instructions contained in the owner's manual.
- Riding equipment used for commercial or rental purposes.

FULL 90 DAY WARRANTY ON BATTERY

For 90 days from date of purchase, if any battery included with this riding equipment proves defective in material or workmanship and our testing determines the battery will not hold a charge, Sears will replace the battery at no charge.

WARRANTY SERVICE IS AVAILABLE BY CONTACTING THE NEAREST SEARS SERVICE CENTER/DEPARTMENT IN THE UNITED STATES. THIS WARRANTY APPLIES ONLY WHILE THIS PRODUCT IS IN USE IN THE UNITED STATES.

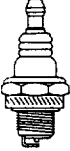
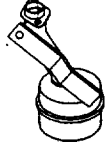

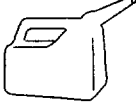


This Warranty gives you specific legal rights, and you may also have other rights which vary from state to state.

SEARS, ROEBUCK AND CO., D/731CR-W SEARS TOWER, CHICAGO, IL 60684

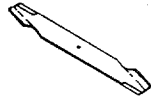

ACCESSORIES AND ATTACHMENTS

These accessories and attachments were available when the unit was purchased. They are also available at most Sears retail outlets, catalogs and service centers. Most Sears stores can order these items for you when you provide the model number of your tractor.

ENGINE

SPARK PLUG	MUFFLER	AIR FILTER	GAS CAN	ENGINE OIL	STABILIZER
					

MAINTENANCE

BLADES	BELTS
	

PERFORMANCE

Sears offers a wide variety of attachments that fit your vehicle. Many of these are listed below with brief explanations of how they can help you. This list was current at the time of publication; however, it may change in future years - more attachments may be added, changes may be made in these attachments, or some may no longer be available or fit your model. **Contact your nearest Sears store for the accessories and attachments that are available for your unit.**

Most of these attachments do not require additional hitches or conversion kits (those that do are indicated) and are designed for easy attaching and detaching.

PERMANEX BAGGER lets you collect grass clippings and leaves for a healthier, neater looking lawn. Two Permanex containers hold 30-gallon plastic bags.

LAWN SWEEPERS let you collect grass clippings and leaves.

CAPTS make hauling easy. Variety of sizes available.

ROLLER for smoother lawn surface. 36-inch wide, 18-inch diameter water-tight drum holds up to 390 lbs. of weight. Rounded edges prevent harm to turf. Adjustable scraper automatically cleans drum.

SPREADER/SEEDERS make seeding, fertilizing, and weed killing easy. Broadcast spreaders are also useful for granular de-icers and sand.

CORING AERATOR takes small plugs out of soil to allow moisture and nutrients to reach grass roots. 36-inch swath. 24 hardened steel coring tips. 150 lb. capacity weight tray.

AERATOR promotes deep root growth for a healthy lawn. Tapered 2.5-inch steel spikes mounted on 10-inch diameter discs puncture holes in soil at close intervals to let moisture soak in. Steel weight tray for increased penetration.

MULCH RAKE/DETHATCHER loosens soil and flips thatch and matted leaves to lawn surface for easy pickup. Twenty spring tine teeth. Useful to prepare bare areas for seeding. Available for rear mounting only.

SPRAYERS use 12-volt DC electric motor that connects to the tractor battery or other 12-volt source. Includes booms for automatic spraying when pulling, and hand held wand for spot spraying. Wand has adjustable spray pattern. For applying herbicides, insecticides, fungicides, and liquid fertilizers.

TABLE OF CONTENTS

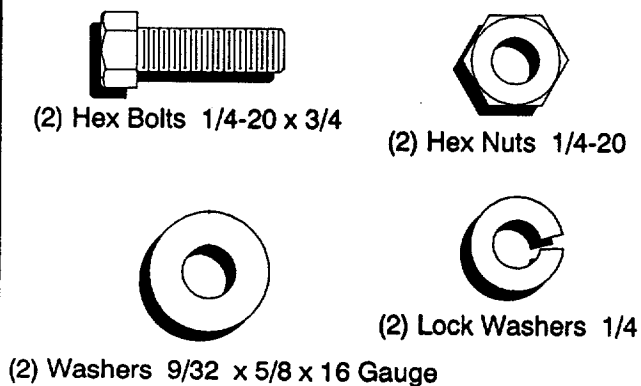
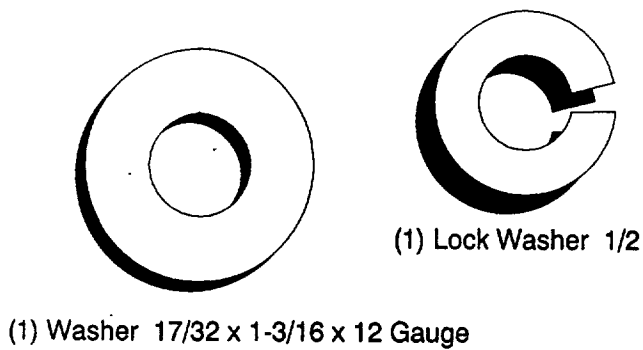
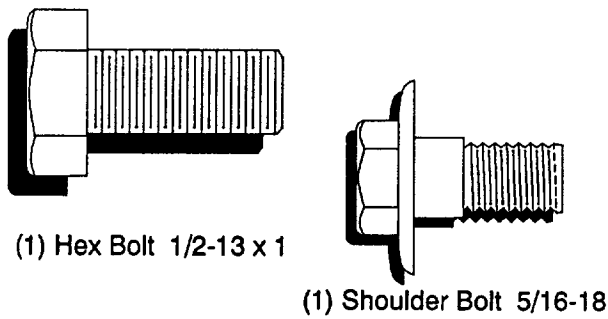
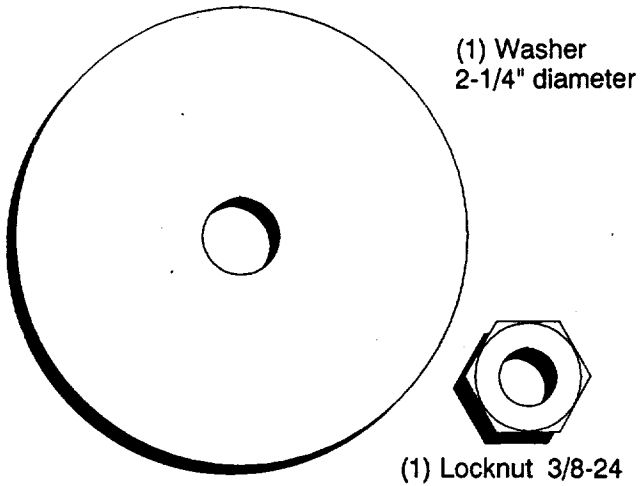
SAFETY RULES	2	OPERATION	10-13
PRODUCT SPECIFICATIONS	3	MAINTENANCE	14-17
CUSTOMER RESPONSIBILITIES	3	SERVICE AND ADJUSTMENTS	18-22
WARRANTY	3	STORAGE	23
TABLE OF CONTENTS	5	TROUBLESHOOTING	24-25
INDEX	5	REPAIR PARTS - TRACTOR	27-45
TRACTOR ACCESSORIES	4	REPAIR PARTS - ENGINE	46-50
ASSEMBLY	7-9	PARTS ORDERING/SERVICE	BACK PAGE

INDEX

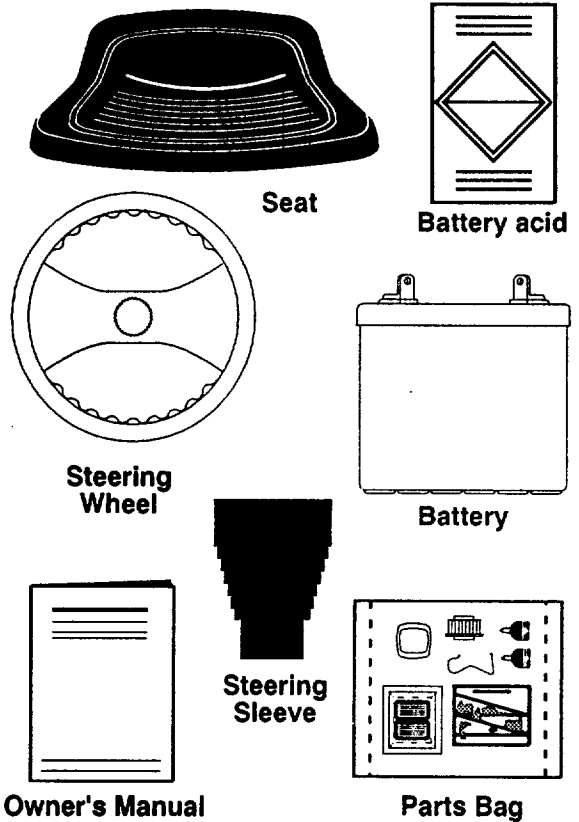
A		F		P	
Accessories	4	Filter:		Parking Brake	10-11
Adjustments:		Air Filter	16	Parts Bag	6
Brake	20	Fuel	17	Parts, Replacement/Repair	27-50
Carburetor	22	Fuel:		Product Specifications	3
Mower		Type	13	R	
Front-To-Back	19	Storage	23	Repair Parts	27-50
Side-To-Side	19	Fuse	21	S	
Throttle Control Cable	22	H		Safety Rules	2
Air Filter, Engine	16	Hood Removal/Installation	21	Seat	8
Air Screen, Engine	17	L		Service and Adjustments	18-22
Assembly	7-9	Leveling Mower Deck	19	Carburetor	22
B		Lubrication:		Fuse	21
Battery:		Chart	14	Hood Removal/Installation	21
Charging	8	M		Motion Drive Belt	
Cleaning	16	Maintenance	14-17	Removal/Replacement	20
Installation	9	Air Filter	16	Mower Adjustment	
Levels	8,15	Air Screen, Engine	17	Front-to-Back	19
Preparation	8	Battery	15-16	Side-to-Side	19
Starting with Weak Battery	21	Blade	15	Mower Removal	18
Storage	23	Cooling Fins, Engine	17	Tire Care	8,15,21
Terminals	16	Engine Oil	16	Slope Guide Sheet	51
Belt:		Fuel Filter	17	Spark Plugs	17
Motion Drive		Lubrication Chart	14	Specifications	3
Removal/Replacement	20	Schedule	14	Starting the Engine	13
Blade:		Spark Plugs	17	Steering Wheel	7,20
Sharpening	15	Tire Care	8,15,21	Stopping the Tractor	11
Replacement	15	Mower:		Storage	23
Brake Adjustment	20	Adjustment, Front-to-Back	19	T	
C		Adjustment, Side-to-Side	19	Throttle Control Cable	
Carburetor Adjustment	22	Blade Sharpening	15	Adjustment	22
Controls, Tractor	10	Blade Replacement	15	Tires	8,15,21
Cutting Height, Mower	12	Cutting Height	12	Trouble Shooting Chart	24-25
E		Installation	18	Transaxle:	
Electrical:		Operation	12	Repair Parts	44-45
Interlocks and Relays	21	Removal	18	W	
Schematic	26	Mowing Tips	13	Warranty	3
Wiring Diagram	28	Muffler	17	Wiring Diagram	28
Engine:		Spark Arrester	3,38	Wiring Schematic	26
Air Filter	16	O			
Air Screen	17	Oil:			
Cooling Fins, Engine	17	Cold Weather Conditions	12,16		
Oil Change	16	Engine	16		
Oil Level	12,16	Storage	23		
Oil Type	16	Operation	10-13		
Preparation	12	Operating Mower	12		
Repair Parts	46-50	Options:			
Starting	13	Accessories	4		
Storage	23	Spark Arrester	3,38		

CONTENTS OF HARDWARE PACK

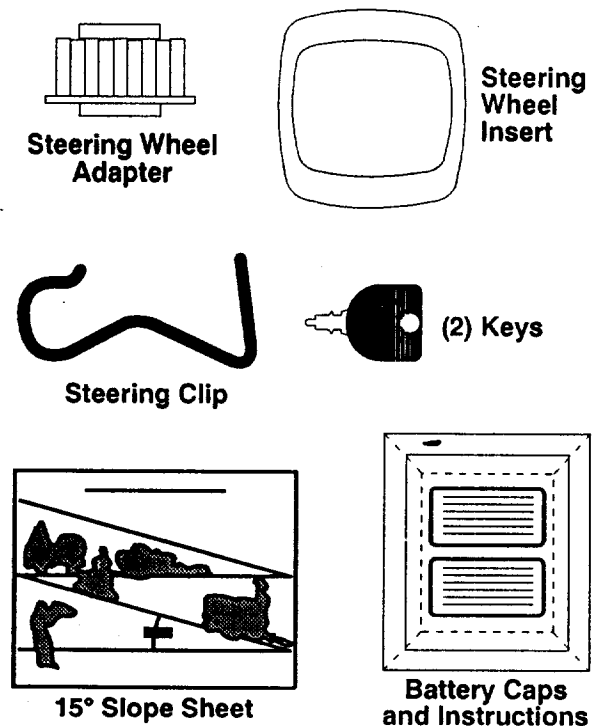
Parts Bag contents shown full size



Parts packed separately in carton



Parts bag contents not shown full size



ASSEMBLY

TOOLS REQUIRED FOR ASSEMBLY

A socket wrench set will make assembly easier. Standard wrench sizes are listed.

- | | |
|--------------------|---------------------|
| (1) 9/16" wrench | Pliers |
| (2) 7/16" wrenches | Tire pressure gauge |
| (1) 1/2" wrench | Screwdriver |
| (1) 3/4" wrench | Utility knife |

When right and left hand is mentioned in this manual, it means when you are in the operating position (seated behind the steering wheel).

TO REMOVE UNIT FROM CARTON UNPACK CARTON

- Remove all accessible loose parts and parts cartons from carton (See page 6).
- Cut along dotted lines on the carton, from top to bottom, all four corners of carton and lay panels flat.
- Check for any additional loose parts or cartons and remove.

ATTACH STEERING WHEEL

POSITION STEERING SHAFT (See Fig. 1) -

- Lift hood.
- Pull steering shaft up to engage gears.
- Push steering clip through hole on steering shaft at 45° (hole is located under dash and above lower steering bushing).
- Push steering clip onto steering shaft until steering clip snaps into place.

INSTALL STEERING WHEEL (See Fig. 2) -

- Slide the steering sleeve over the steering shaft (Bottom of sleeve goes over ring on dash).
- Slide steering wheel adapter onto upper steering shaft.
- Position front wheels of the tractor so they are pointing straight forward.
- Position steering wheel so cross bars are horizontal (left to right) and slide onto adapter.
- Assemble large flat washer and 3/8-24 locknut and tighten securely.
- Snap insert into center of steering wheel.
- Remove protective plastic from tractor hood and grill.

BEFORE ROLLING UNIT OFF SKID

IMPORTANT: CHECK FOR AND REMOVE ANY STAPLES IN SKID THAT MAY PUNCTURE TIRES WHERE UNIT IS TO ROLL OFF SKID.

- Raise mower lift lever to its highest position.
- Place gearshift lever in "NEUTRAL" position.
- Release parking brake by depressing clutch/brake pedal.
- Roll unit backwards off skid.
- Remove banding holding discharge guard up against tractor.

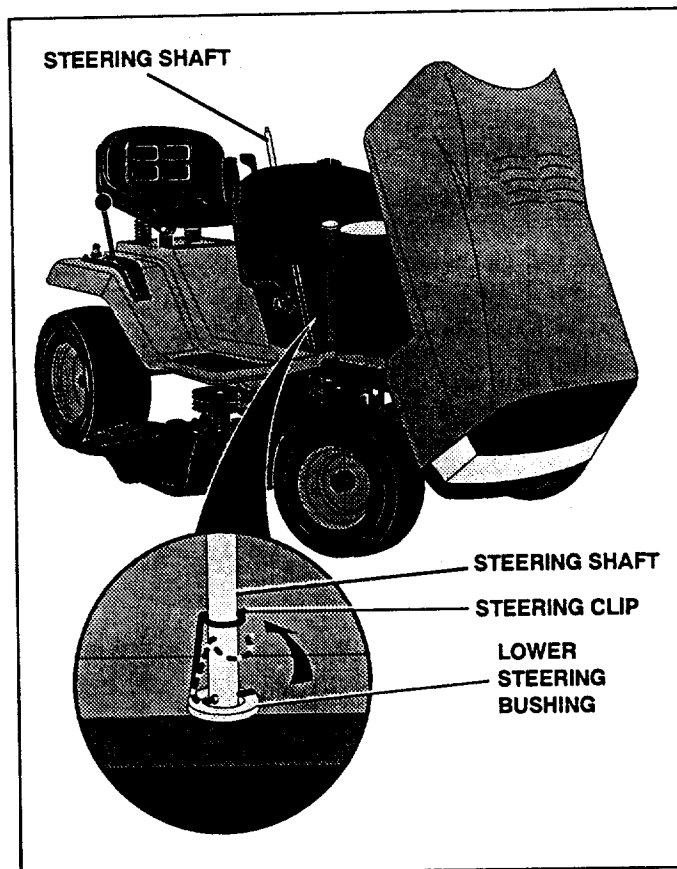


FIG. 1

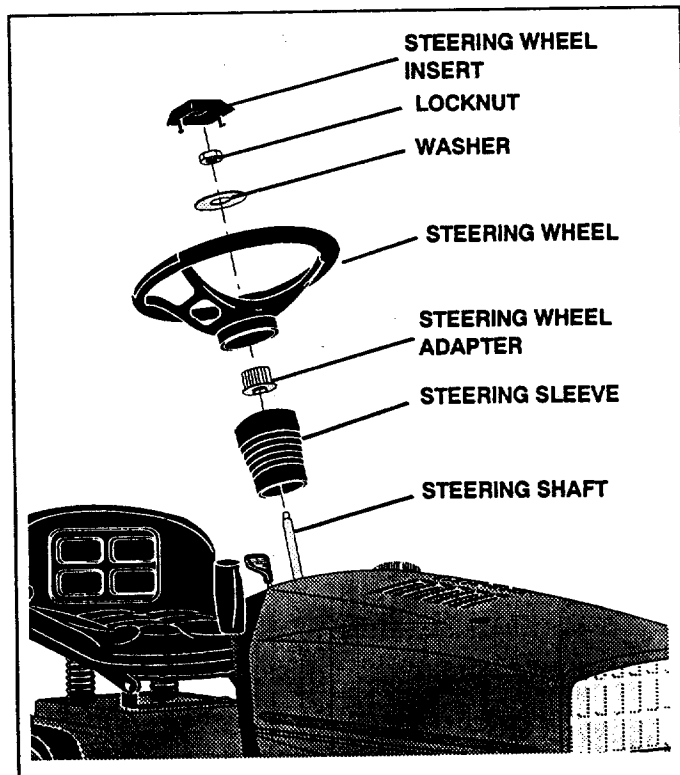


FIG. 2

ASSEMBLY

HOW TO SET UP YOUR TRACTOR

PREPARE BATTERY (See Fig. 3)



CAUTION: Wear eye and face shield.
Wash hands or clothing immediately if accidentally in contact with battery acid.
Do not smoke. Fumes from charged battery acid are explosive.
Read the instructions included with the battery vent caps. Always wear gloves, clothing and goggles to protect your hands, skin and eyes.

Your unit has a battery charging system which is sufficient for normal use. However, periodic charging of the battery with an automotive charger will extend its life.

- See instructions packed with vent caps in parts bag.
- Fill battery with acid. Fill each cell until it reaches the bottom of the vent wells. Do not overfill.
- Allow battery to stand and settle for at least thirty minutes. After standing, check the level of acid. If below the vent wells, add more acid until the correct level is reached.

While battery is standing (after adding acid) and later, while battery is being charged, continue with assembly of unit.

IMPORTANT: TO MAXIMIZE THE LIFE OF YOUR BATTERY, IT IS NECESSARY THAT THE BATTERY BE CHARGED BEFORE USE. FAILURE TO CHARGE BATTERY CAN RESULT IN A SHORTENED BATTERY LIFE.

- Charge battery at a rate of 6 amperes for 1 hour. Use a 12 volt battery charger. Observe all safety precautions required for battery charging.
- Check the acid level after the battery is charged. If the acid has fallen below the correct level, add distilled or iron free water.
- Install the vent caps to cover the vent wells. Wash the top of the battery with water to remove any acid, then wipe dry.
- Check battery case for leakage to make sure that no damage has occurred in handling.
- Dispose of excess battery acid. Neutralize acid for disposal by adding it to four inches of water in a five gallon plastic container. Stir with a wooden or plastic paddle while adding baking soda until the addition of more soda causes no more foaming.
- Follow instructions on how to install battery.

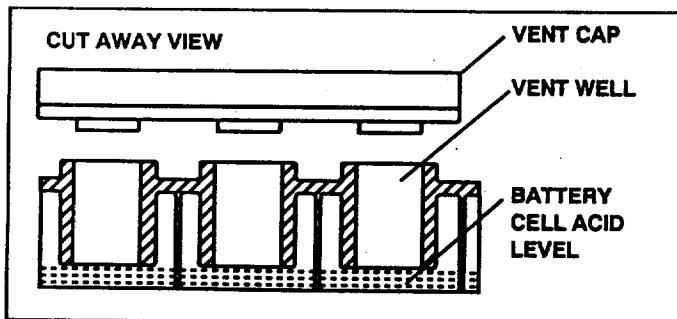


FIG. 3

INSTALL SEAT (See Fig. 4)

Adjust seat before tightening adjustment bolt.

- Remove cardboard packing on seat pan.
- Place seat on pan and assemble shoulder bolt.
- Assemble adjustment bolt, lock washer and flat washer loosely. Do not tighten.
- Tighten shoulder bolt securely.
- Lower seat into operating position and sit on seat.
- Slide seat until a comfortable position is reached which allows you to press clutch/brake pedal all the way down (See Fig. 8).
- Get off seat without moving its adjusted position.
- Raise seat and tighten adjustment bolt securely.

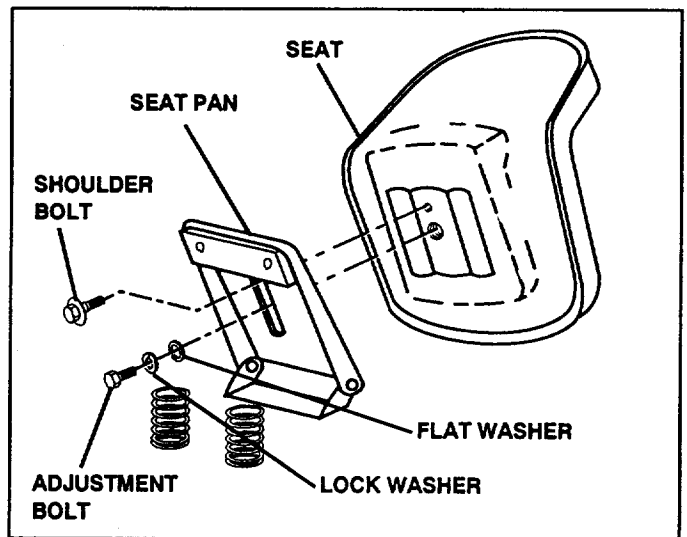


FIG. 4

CHECK TIRE PRESSURE

The tires on your unit were overinflated at the factory for shipping purposes. Correct tire pressure is important for best cutting performance.

- Reduce tire pressure to PSI shown in "PRODUCT SPECIFICATIONS" on page 3 of this manual.

CHECK DECK LEVELNESS

For best cutting results, mower housing should be properly leveled. See "TO LEVEL MOWER HOUSING" in the Service and Adjustments section of this manual.

CHECK FOR PROPER POSITION OF ALL BELTS

See the figures that are shown for replacing motion and mower blade drive belts in the Service and Adjustments section of this manual. Verify that the belts are routed correctly.

CHECK BRAKE SYSTEM

After you learn how to operate your tractor, check to see that the brake is properly adjusted. See "TO ADJUST BRAKE" in the Service and Adjustments section of this manual.

ASSEMBLY

INSTALL BATTERY (See Figs. 5 & 6)



CAUTION: Do not short battery terminals. Before installing battery, remove metal bracelets, wristwatch bands, rings, etc.

Positive terminal must be connected first to prevent sparking from accidental grounding.

- Lift seat to raised position.
- Open battery box door.
- Lower battery into battery box with battery terminals toward front of unit.
- Be sure drain tube is attached to bottom of battery box.
- First connect RED battery cable and RED fused ignition wire to positive (+) battery terminal with hex bolt, flat washer, lock washer and hex nut as shown. Tighten securely.
- Connect BLACK grounding cable to negative (-) battery terminal with remaining hex bolt, flat washer, lock washer and hex nut. Tighten securely.
- Close battery box door.

Use terminal access doors for:

- Inspection for secure connections (to tighten hardware).
- Inspection for corrosion.
- Testing battery.
- Jumping (if required).
- Periodic charging.

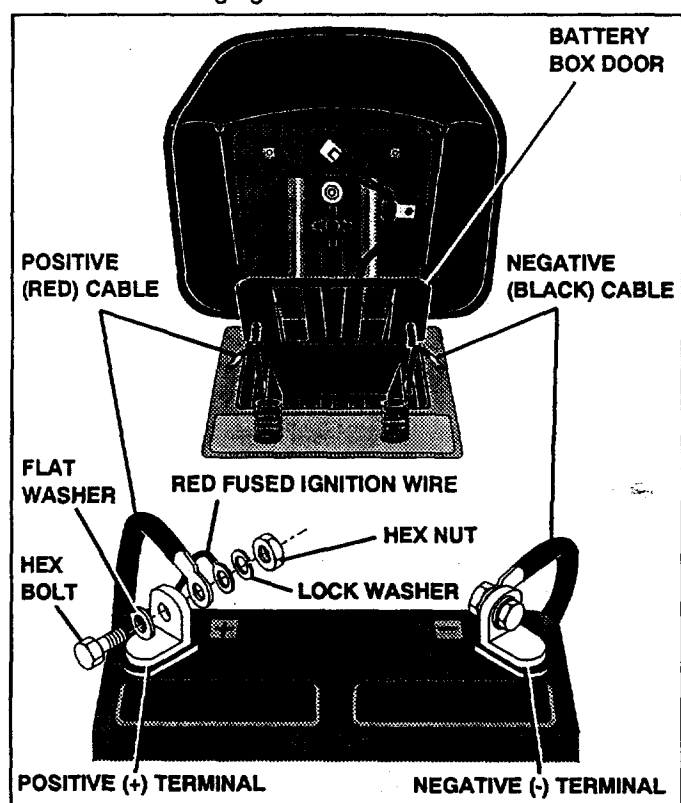


FIG. 5

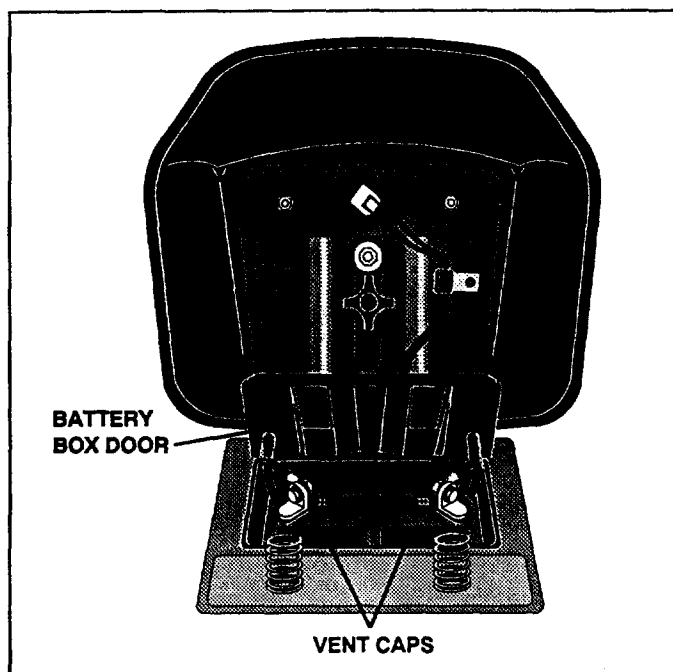


FIG. 6

✓ CHECKLIST

BEFORE YOU OPERATE AND ENJOY YOUR NEW LAWN RIDER, WE WISH TO ASSURE THAT YOU RECEIVE THE BEST PERFORMANCE AND SATISFACTION FROM THIS QUALITY PRODUCT.

PLEASE REVIEW THE FOLLOWING CHECKLIST:

- ✓ All assembly instructions have been completed.
- ✓ No remaining loose parts in carton.
- ✓ Battery is properly prepared and charged. (Minimum 1 hour at 6 amps).
- ✓ Seat is adjusted comfortably and tightened securely.
- ✓ All tires are properly inflated. (For shipping purposes, the tires were over-inflated at the factory).
- ✓ Be sure mower deck is properly leveled side-to-side/front-to-rear for best cutting results. (Tires must be properly inflated for leveling).
- ✓ Check mower and drive belts. Be sure they are routed properly around pulleys and inside all belt keepers.
- ✓ Check wiring. See that all connections are still secure and wires are properly clamped.

WHILE LEARNING HOW TO USE YOUR LAWN RIDER, PAY EXTRA ATTENTION TO THE FOLLOWING IMPORTANT ITEMS:

- ✓ Engine oil is at proper level.
- ✓ Fuel tank is filled with fresh, clean, regular unleaded gasoline.
- ✓ Become familiar with all controls - their location and function. Operate them before you start the engine.
- ✓ Be sure brake system is in safe operating condition.

OPERATION

KNOW YOUR LAWN RIDER

READ THIS OWNER'S MANUAL AND SAFETY RULES BEFORE OPERATING YOUR LAWN RIDER.

Compare the illustrations with your Lawn Rider to familiarize yourself with the location of various controls and adjustments. Save this manual for future reference.

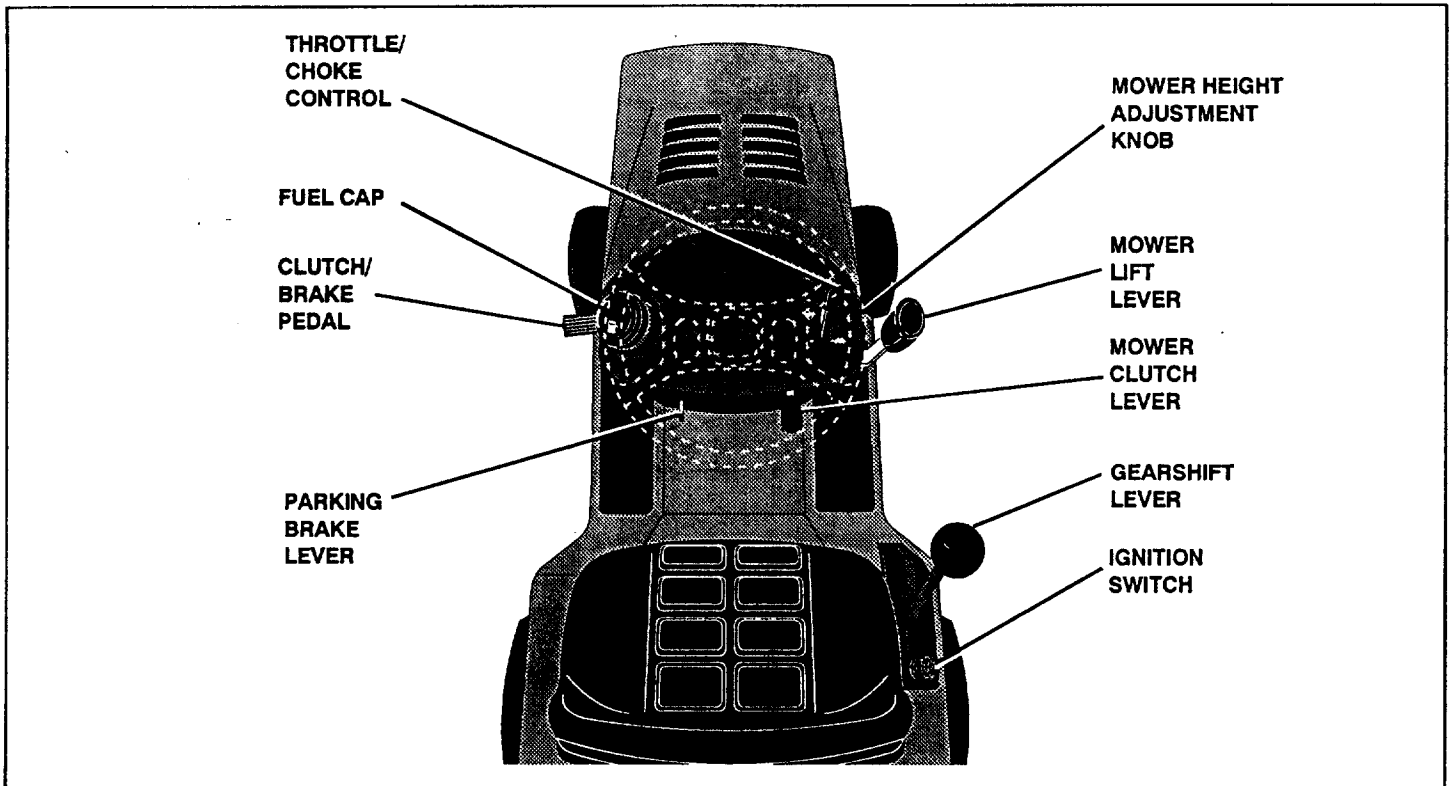


FIG. 7

Sears tractors conform to the safety standards of the American National Standards Institute.

IGNITION SWITCH: Used for starting and stopping the engine.

THROTTLE/CHOKE CONTROL: Used for starting and controlling engine speed.

CLUTCH/BRAKE PEDAL: Used for declutching and braking the tractor and starting the engine.

GEARSHIFT LEVER: Selects the speed and direction of tractor.

PARKING BRAKE LEVER: Locks clutch/brake pedal into the brake position.

MOWER CLUTCH LEVER: Used to engage the mower blades.

MOWER LIFT LEVER: Used to raise and lower the mower deck.

MOWER HEIGHT ADJUSTMENT KNOB: Used to set mower cutting height.

CAUTION TO AVOID INJURY

- READ OWNER'S MANUAL.
- KNOW LOCATION AND FUNCTION OF ALL CONTROLS.
- KEEP GUARDS, SAFETY SHIELDS AND SWITCHES IN PLACE AND WORKING.
- REMOVE OBJECTS THAT CAN BE THROWN BY BLADES.
- DO NOT MOW WHEN CHILDREN AND OTHERS ARE AROUND.
- NEVER CARRY CHILDREN OR PASSENGERS.
- ALWAYS LOOK BEHIND MACHINE BEFORE BACKING.
- DO NOT MOW WHERE MACHINE CAN TIP OR SLIP.
- IF MACHINE STOPS GOING UPHILL, STOP BLADE AND BACK DOWN SLOWLY.
- BE SURE BLADES AND ENGINE HAVE STOPPED BEFORE PLACING HANDS OR FEET NEAR THE BLADES.
- REMOVE KEY WHEN LEAVING MACHINE.

OPERATION



The operation of any tractor can result in foreign objects thrown into the eyes, which can result in severe eye damage. Always wear safety glasses or eye shields before starting your tractor and while moving. We recommend Wide Vision Safety Mask for over the spectacles or standard safety glasses.

HOW TO USE YOUR TRACTOR

TO SET PARKING BRAKE (See Fig. 8)

- Depress clutch/brake pedal into full "BRAKE" position and hold.
- Place parking brake lever in "ENGAGED" position and release pressure from clutch/brake pedal. Pedal should remain in "BRAKE" position. Make sure parking brake will hold vehicle secure.

STOPPING (See Figs. 8 and 9)

MOWER BLADES -

- Move mower clutch lever to "DISENGAGED" position.

GROUND DRIVE -

- Depress clutch/brake pedal into full "BRAKE" position.
- Move gearshift lever to "NEUTRAL" position.

ENGINE -

- Move Throttle Control to "SLOW" position.
- Turn ignition key to "OFF" position and remove key. Always remove key when leaving vehicle to prevent unauthorized use.
- Never use choke to stop engine.

TO USE THROTTLE CONTROL (See Fig. 9)

Always operate engine at full throttle.

- Operating engine at less than full throttle reduces the battery charging rate and the engine cooling air flow.
- Full throttle offers the best bagging and mower performance.

TO MOVE FORWARD AND BACKWARD (See Figs. 8 and 9)

The direction and speed of movement is controlled by the gearshift lever.

- Start tractor with clutch/brake pedal depressed and gearshift lever in "NEUTRAL" position.
- Move gearshift lever to desired position.
- Slowly release clutch/brake pedal to start movement.

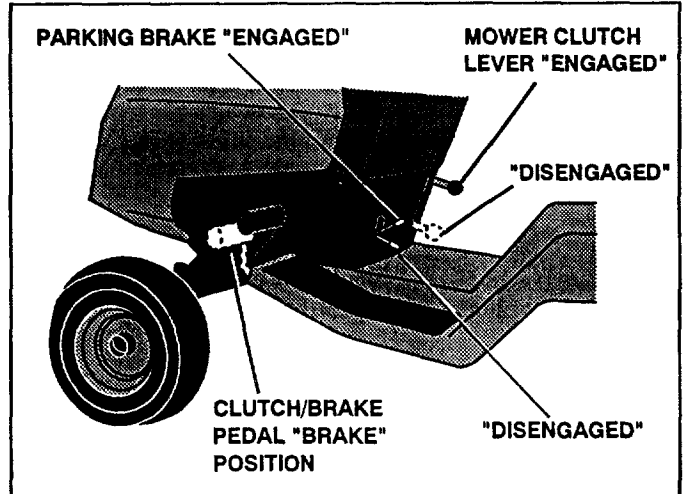


FIG. 8

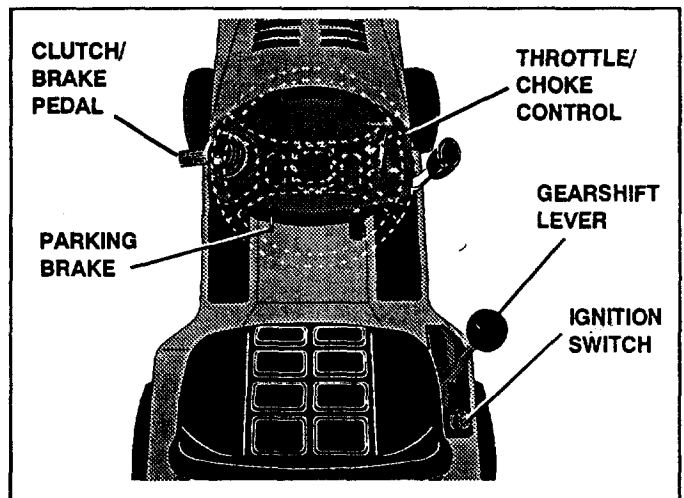


FIG. 9

OPERATION

TO ADJUST MOWER CUTTING HEIGHT

(See Fig. 10)

The position of the mower lift lever determines the cutting height. The position of the mower lift lever can be adjusted by moving the height adjustment knob to desired position.

- With lift lever back and locked in highest position, pull out the adjustment knob and move to desired position.
- Move mower lift lever out and forward to adjustment knob.

The cutting height range is approximately 1" to 3-1/2". The heights are measured from the ground to the blade tip with the engine not running. These heights are approximate and may vary depending upon soil conditions, height of grass and types of grass being mowed.

- The average lawn should be cut approximately 2-1/2 inches during the cool season and over 3 inches during hot months. For healthier and better looking lawns, mow often and after moderate growth.
- For best cutting performance, grass over 6 inches in height should be mowed twice. Make the first cut relatively high; the second to desired height.

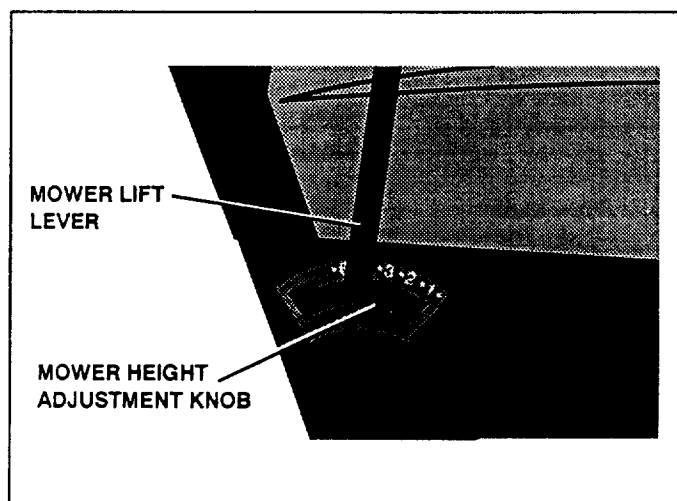


FIG. 10

TO OPERATE MOWER (See Figs. 10 and 11)

Your unit is equipped with an operator presence sensing switch. Any attempt by the operator to leave the seat with the engine running and the mower clutch engaged will shut off the engine.

- Select desired height of cut.
- Engage mower by slowly moving mower clutch lever to "ENGAGED" position.
- TO STOP MOWER - Move mower clutch lever to "DISENGAGED" position.



CAUTION: Do not operate the mower without either the entire grass catcher, on mowers so equipped, or the discharge guard in place.

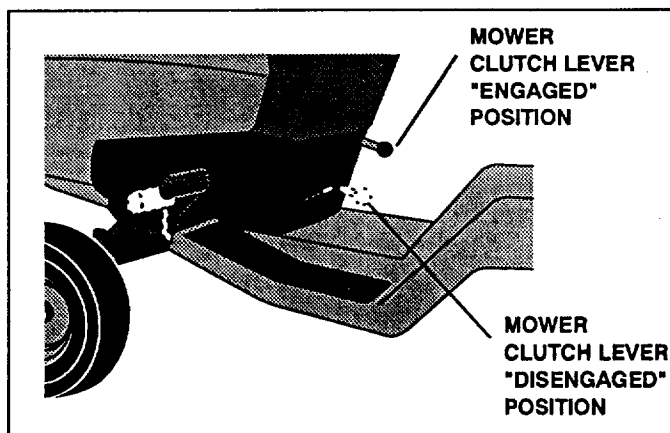


FIG. 11

TO OPERATE ON HILLS



CAUTION: Do not drive up or down hills with slopes greater than 15° and do not drive across any slope.

- Choose the slowest speed before starting up or down hills.
- Avoid stopping or changing speed on hills.
- If slowing is necessary, move throttle control lever to slower position.
- If stopping is absolutely necessary, push clutch/brake pedal quickly to brake position and engage parking brake.
- Move gearshift lever to 1st gear and be sure you have allowed room for tractor to roll slightly as you restart movement.
- To restart movement, slowly release parking brake and clutch/brake pedal.
- Make all turns slowly.

TO TRANSPORT

- Raise mower lift lever to highest position.
- When pushing or towing your unit, be sure gearshift lever is in "NEUTRAL" position.
- Do not push unit at more than five (5) MPH.

BEFORE STARTING THE ENGINE

CHECK ENGINE OIL LEVEL (See Fig. 16)

- The engine in your unit has been shipped from the factory already filled with summer weight oil.
- Check engine oil with unit on level ground.
- Remove oil fill dipstick and wipe clean, replace and screw cap tight, wait for a few seconds, remove and read oil level. If necessary, add oil until "FULL" mark on dipstick is reached. Do not overfill.
- For cold weather operation you should change oil for easier starting (see "OIL VISCOSITY CHART" in the Maintenance section of this manual).
- To change engine oil, see the Maintenance section in this manual.

OPERATION

ADD GASOLINE

- Fill fuel tank. Use fresh, clean, regular unleaded gasoline. (Use of leaded gasoline will increase carbon and lead oxide deposits and reduce valve life).

IMPORTANT: WHEN OPERATING IN TEMPERATURES BELOW 32°F(0°C), USE FRESH, CLEAN WINTER GRADE GASOLINE TO HELP INSURE GOOD COLD WEATHER STARTING.

WARNING: Experience indicates that alcohol blended fuels (called gasohol or using ethanol or methanol) can attract moisture which leads to separation and formation of acids during storage. Acidic gas can damage the fuel system of an engine while in storage. To avoid engine problems, the fuel system should be emptied before storage of 30 days or longer. Drain the gas tank, start the engine and let it run until the fuel lines and carburetor are empty. Use fresh fuel next season. See Storage Instructions for additional information. Never use engine or carburetor cleaner products in the fuel tank or permanent damage may occur.



CAUTION: Fill to bottom of gas tank filler neck. Do not overfill. Wipe off any spilled oil or fuel. Do not store, spill or use gasoline near an open flame.

TO START ENGINE (See Fig. 7)

When starting engine for the first time or if engine has run out of fuel, it will take extra cranking time to move fuel from the tank to the engine.

- Depress the clutch/brake pedal and set the parking brake.
- Place gearshift lever in "NEUTRAL" position.
- Move mower clutch to "DISENGAGED" position.
- Move throttle control lever to "CHOKE" position for cold engine start. For warm engine start, move throttle control to "FAST" position.
- Turn ignition key clockwise to "START" position and release key as soon as engine starts. Do not run starter continuously for more than fifteen seconds per minute. If engine does not start after several attempts, move throttle control to "FAST" position, wait a few minutes and try again.
- When engine starts, move throttle control to desired position.
- Allow engine to warm up for a few minutes before engaging drive or attachment clutch.

NOTE: If at a high altitude (above 3000 feet) or in cold temperatures (below 32° F), the carburetor fuel mixture may need to be adjusted for best engine performance. See "TO ADJUST CARBURETOR" in the Service and Adjustments section of this manual.

MOWING TIPS

- Mower should be properly leveled for best mowing performance. See "TO LEVEL MOWER HOUSING" in the Service and Adjustments section of this manual.
- The left hand side of mower should be used for trimming.
- Drive so that clippings are discharged onto the area that has been cut. Have the cut area to the right of the machine. This will result in a more even distribution of clippings and more uniform cutting.
- When mowing large areas, start by turning to the right so that clippings will discharge away from shrubs, fences, driveways, etc. After one or two rounds, mow in the opposite direction making left hand turns until finished (See Fig. 12).
- If grass is extremely tall, it should be mowed twice to reduce load and possible fire hazard from dried clippings. Make first cut relatively high; the second to the desired height.
- Do not mow grass when it is wet. Wet grass will plug mower and leave undesirable clumps. Allow grass to dry before mowing.
- Always operate engine at full throttle when mowing to assure better mowing performance and proper discharge of material. Regulate ground speed by selecting a low enough gear to give the mower cutting performance as well as the quality of cut desired.
- When operating attachments, select a ground speed that will suit the terrain and give best performance of the attachment being used.

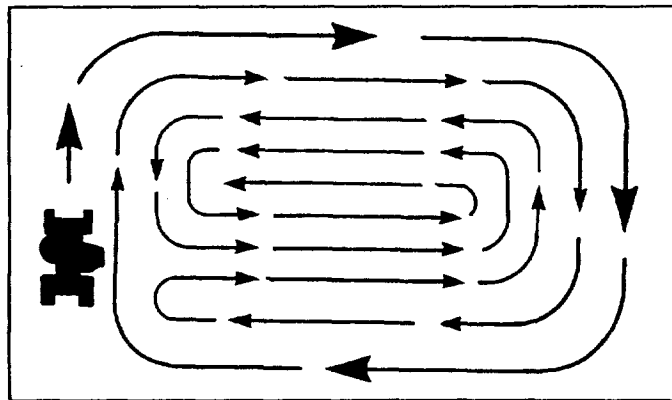


FIG. 12

MAINTENANCE

MAINTENANCE SCHEDULE		BEFORE EACH USE							SERVICE DATES								
FILL IN DATES AS YOU COMPLETE REGULAR SERVICE		BEFORE EACH USE	FIRST 2 HOURS	EVERY 8 HOURS	EVERY 25 HOURS	EVERY 50 HOURS	EVERY 100 HOURS	EVERY SEASON	BEFORE STORAGE								
TRACTOR	Check Brake Operation	✓		✓													
	Check Tire Pressure	✓		✓													
	Check for Loose Fasteners	✓								✓							
	Sharpen/Replace Mower Blades				✓ ₄												
	Lubrication Chart				✓					✓							
	Check Battery Level/Recharge				✓												
	Clean Battery and Terminals				✓						✓						
	Check Transmission Cooling				✓												
	Adjust Blade Belt(s) Tension						✓										
	Adjust Motion Drive Belt(s) Tension						✓										
ENGINE	Check Engine Oil Level	✓		✓													
	Change Engine Oil		✓		✓ _{1,2,3}					✓							
	Clean Air Filter				✓ ₂												
	Clean Air Screen				✓ ₂												
	Inspect Muffler/Spark Arrester					✓											
	Replace Oil Filter (If equipped)						✓ _{1,2}										
	Clean Engine Cooling Fins						✓ ₂										
	Replace Spark Plug						✓		✓								
	Replace Air Filter Paper Cartridge						✓ ₂										
	Replace Fuel Filter								✓								

1 - Change more often when operating under a heavy load or in high ambient temperatures.
 2 - Service more often when operating in dirty or dusty conditions.

3 - If equipped with oil filter, change oil every 50 hours.
 4 - Replace blades more often when mowing in sandy soil.

GENERAL RECOMMENDATIONS

The warranty on this vehicle does not cover items that have been subjected to operator abuse or negligence. To receive full value from the warranty, operator must maintain unit as instructed in this manual.

Some adjustments will need to be made periodically to properly maintain your unit.

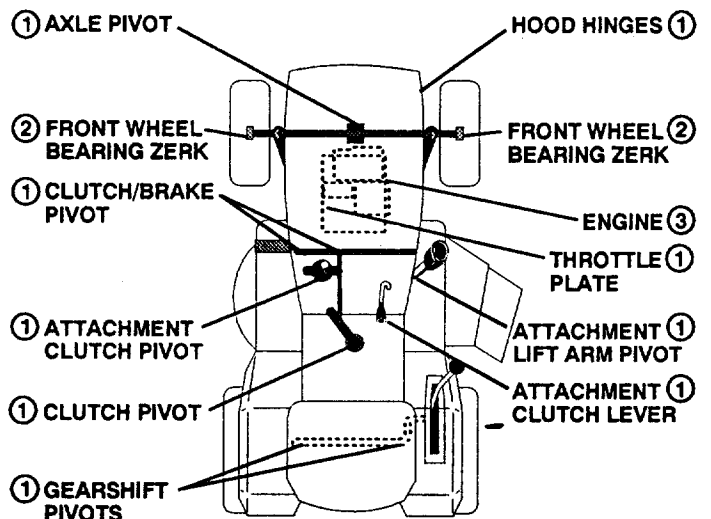
All adjustments in the Service and Adjustments section of this manual should be checked at least once each season.

- Once a year you should replace the spark plug, clean or replace air filter, and check blades and belts for wear. A new spark plug and clean air filter assure proper air-fuel mixture and help your engine run better and last longer.

BEFORE EACH USE

- Check engine oil level.
- Check brake operation.
- Check tire pressure.
- Check for loose fasteners.

LUBRICATION CHART



- ① SAE 30 OR 10W30 MOTOR OIL API - SG
- ② GENERAL PURPOSE GREASE
- ③ REFER TO ENGINE MAINTENANCE SECTION

IMPORTANT: DO NOT OIL OR GREASE THE PIVOT POINTS WHICH HAVE SPECIAL NYLON BEARINGS. VISCOUS LUBRICANTS WILL ATTRACT DUST AND DIRT THAT WILL SHORTEN THE LIFE OF THE SELF-LUBRICATING BEARINGS. IF YOU FEEL THEY MUST BE LUBRICATED, USE ONLY A DRY, POWDERED GRAPHITE TYPE LUBRICANT SPARINGLY.

MAINTENANCE

LAWN RIDER

Always observe safety rules when performing any maintenance.

BRAKE OPERATION

If unit requires more than six (6) feet stopping distance at high speed in highest gear, than brake must be adjusted. (See "TO ADJUST BRAKE" in the Service and Adjustments section of this manual).

TIRES

- Maintain proper air pressure in all tires (See "PRODUCT SPECIFICATIONS" on page 3 of this manual).
- Keep tires free of gasoline, oil, or insect control chemicals which can harm rubber.
- Avoid stumps, stones, deep ruts, sharp objects and other hazards that may cause tire damage.

BLADE CARE

For best results mower blades must be kept sharp. The blades can be sharpened with a file or on a grinding wheel. We suggest they be sharpened or replaced after every 25 hours of mowing. Check blades more often if mowing in sandy conditions.

- Do not attempt to sharpen blades while they are on the mower.
- Replace bent or damaged blades.

BLADE REMOVAL (See Fig. 13)

- Raise mower to highest position to allow access to blades.
- Remove hex bolt, lock washer and flat washer securing blade.
- Install new or resharpened blade with trailing edge up towards deck as shown.
- Reassemble hex bolt, lock washer and flat washer in exact order as shown.
- Tighten bolt securely (30-35 Ft. Lbs. torque).

IMPORTANT: BLADE BOLT IS GRADE 8 HEAT TREATED.

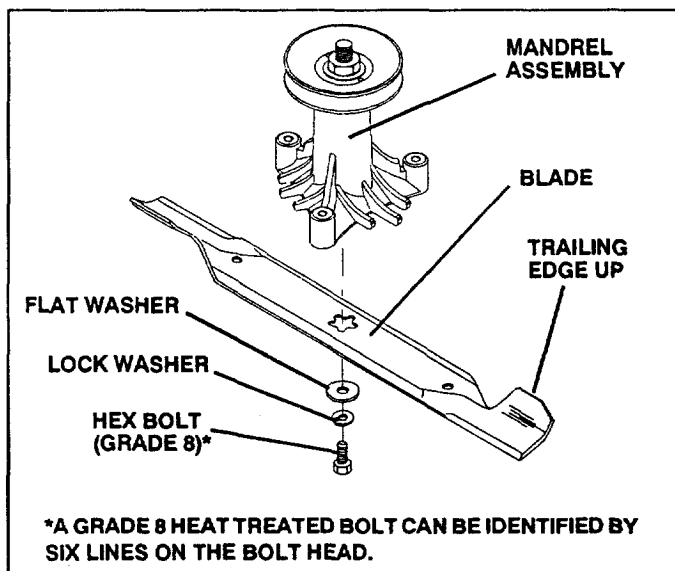


FIG. 13

TO SHARPEN BLADE (See Fig. 14)

Care should be taken to keep the blade balanced. An unbalanced blade will cause excessive vibration and eventual damage to mower and engine.

- The blade can be sharpened with a file or on a grinding wheel. Do not attempt to sharpen while on the mower.
- To check blade balance, you will need a 5/8" diameter steel bolt, pin, or a cone balancer. (When using a cone balancer, follow the instructions supplied with balancer).
- Slide blade on to an unthreaded portion of the steel bolt or pin and hold the bolt or pin parallel with the ground. If blade is balanced, it should remain in a horizontal position. If either end of the blade moves downward, sharpen the heavy end until the blade is balanced.

NOTE: Do not use a nail for balancing blade. The lobes of the center hole may appear to be centered, but are not.

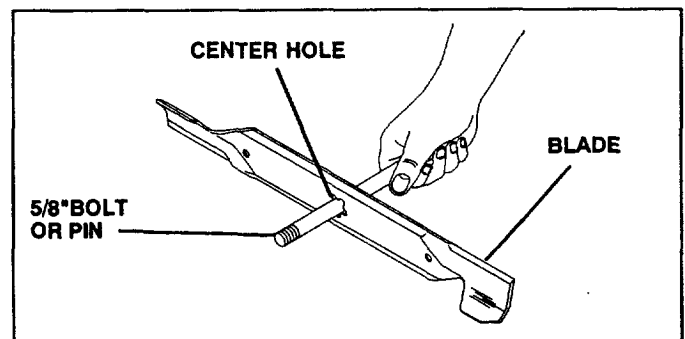


FIG. 14

BATTERY (See Fig. 15)

Your unit has a battery charging system which is sufficient for normal use. However, periodic charging of the battery with an automotive charger will extend its life.

- Acid solution level in each battery cell should be even with bottoms of vent wells. Add only distilled or iron free water if necessary. Do not overfill.
- Keep battery and terminals clean.
- Keep battery bolts tight.
- Keep vent caps tight and small vent holes in caps open.
- Recharge at 6 amperes for 1 hour.

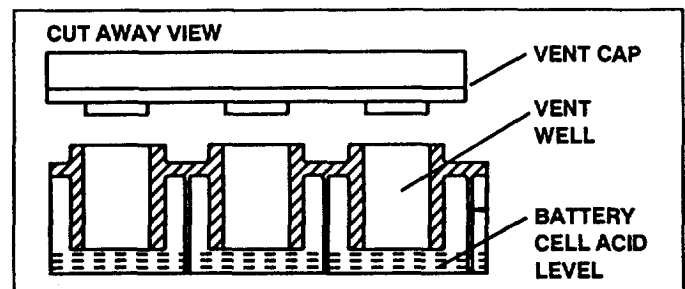


FIG. 15

MAINTENANCE

TO CLEAN BATTERY AND TERMINALS -

Corrosion and dirt on the battery and terminals can cause the battery to "leak" power.

- Remove terminal guard.
- Disconnect BLACK battery cable first then RED battery cable and remove battery from tractor.
- Wash battery with solution of four tablespoons of baking soda to one gallon of water. Be careful not to get the soda solution into the cells.
- Rinse the battery with plain water and dry.
- Clean terminals and battery cable ends with wire brush until bright.
- Coat terminals with grease or petroleum jelly.
- Reinstall battery (See "INSTALL BATTERY" in the Assembly section of this manual).

V- BELTS

Check V-Belts for deterioration and wear after 100 hours. Replace if necessary. The belts are not adjustable. Replace belts if they begin to slip from wear.

TRANSAXLE COOLING

Keep transaxle free from build-up of dirt and chaff which can restrict cooling.

ENGINE

LUBRICATION

Change the oil after the first two hours of operation and every 25 hours thereafter or at least once a year if the tractor is not used for 25 hours in one year.

Check the crankcase oil level before starting the engine and after each eight (8) hours of continuous use. Add SAE 30W motor oil or equivalent. Tighten oil fill cap/dipstick securely each time you check the oil level. SAE 5W-30 motor oil may be used to make starting easier in areas where temperature is consistently 32° F or lower.

TO CHANGE ENGINE OIL (See Fig. 16 and 17)-

Determine temperature range expected before oil change. All oil must meet API service classification SG.

- Be sure vehicle is on level surface.
- Oil will drain more freely when warm.
- Catch oil in a suitable container.
- Remove oil fill dipstick. Be careful not to allow dirt to enter the engine when changing oil.
- Remove drain plug.
- After oil has drained completely, replace oil drain plug and tighten securely.
- Refill engine with oil through oil fill dipstick tube. Pour slowly. Do not overfill. For approximate capacity see Product Specifications on page 3 of this manual.
- Use gauge on oil fill dipstick for checking level. Be sure dipstick cap is tightened securely for accurate reading. Keep oil at "FULL" line on dipstick.

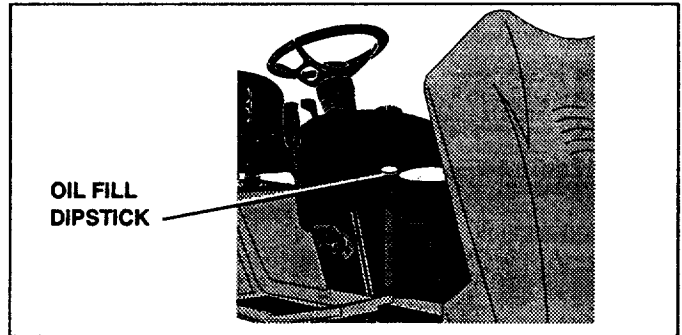
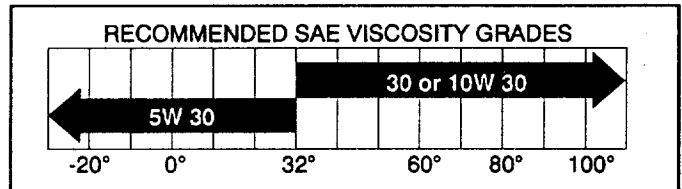


FIG. 16

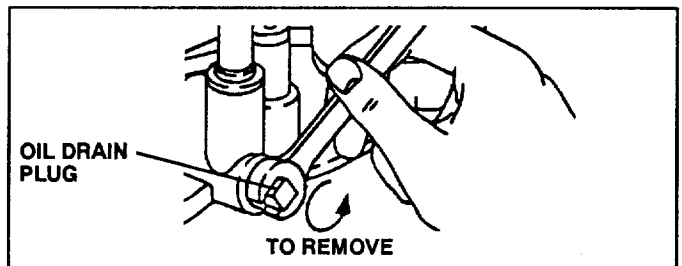


FIG. 17

AIR FILTER (See Fig. 18)

Your engine will not run properly and may be damaged by using a dirty air filter. Remove cartridge every 25 hours and tap gently to clean. Replace paper cartridge once a year or after every 100 hours of operation, more often if used in very dusty, dirty conditions.

- Remove knob and cover.
- Remove cartridge nut and clean or replace cartridge.
- Reassemble and tighten securely.

NOTE: Do not attempt to clean or oil the paper cartridge.

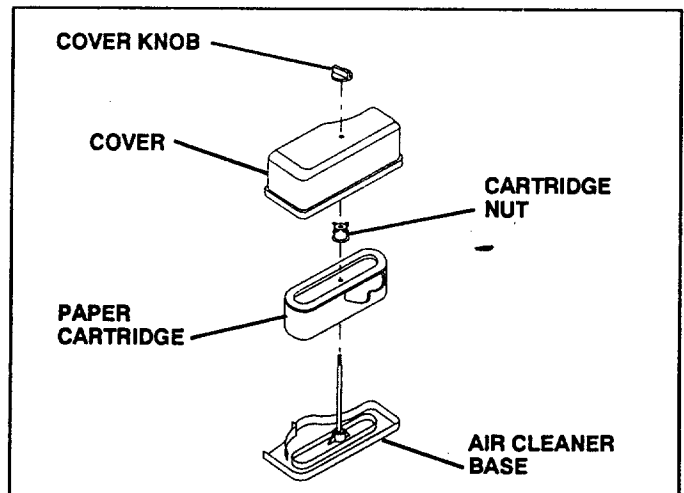


FIG. 18

MAINTENANCE

AIR SCREEN (See Fig. 19)

The engine air screen must be kept free of dirt and chaff to prevent engine damage from overheating. Clean with a wire brush or compressed air to remove dirt and stubborn dried gum fibers.

ENGINE COOLING FINS (See Fig. 19)

Remove any dust, dirt or oil from engine cooling fins to prevent engine damage from overheating.

- Remove oil fill dipstick and cover opening to prevent entry of dirt.
- Remove screws from blower housing and lift housing off engine.
- Remove the screws securing the starter housing and lift housing off engine.
- Use compressed air or stiff bristle brush to thoroughly clean engine cooling fins.
- To reassemble, reverse above procedure.

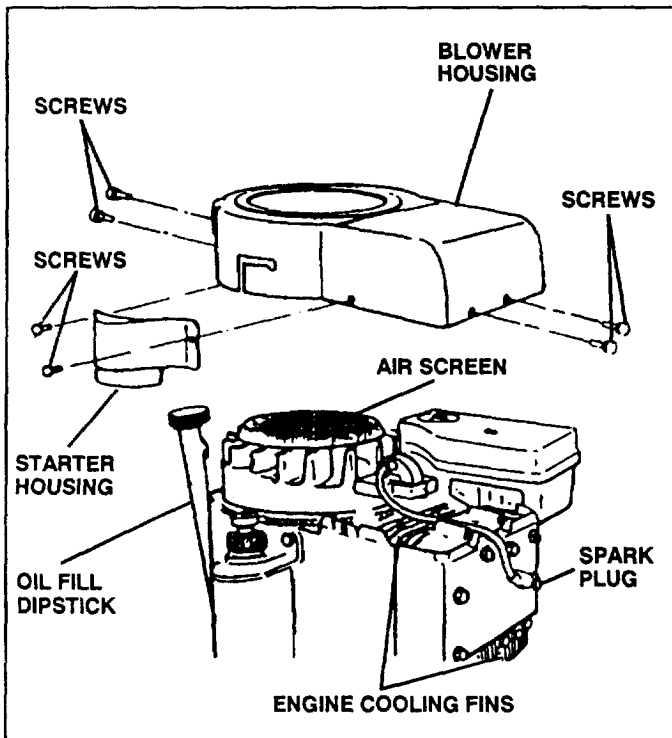


FIG. 19

MUFFLER

Inspect and replace corroded muffler and spark arrester (if equipped) as it could create a fire hazard and/or damage.

SPARK PLUGS

Replace spark plugs at the beginning of each mowing season or after every 100 hours of use, whichever comes first. Spark plug type and gap setting is shown in "PRODUCT SPECIFICATIONS" on page 3 of this manual.

IN-LINE FUEL FILTER (See Fig. 20)

Fuel filter should be replaced once each season. If fuel filter becomes clogged, obstructing fuel flow to carburetor, replacement is required.

- With engine cool, remove filter and plug fuel line sections.
- Place new fuel filter in position in fuel line.
- Be sure there are no fuel line leaks and clamps are properly positioned.
- Immediately wipe up any spilled gasoline.

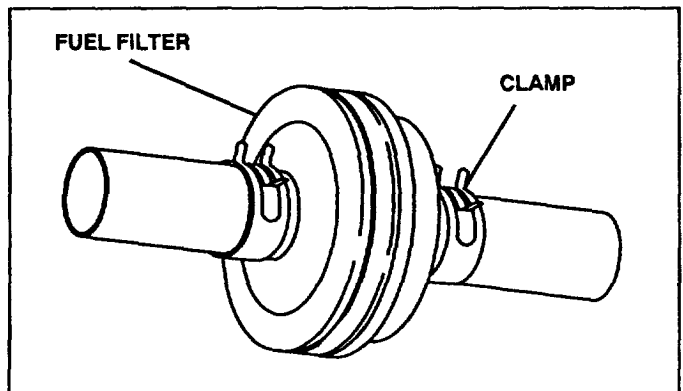


FIG. 20

CLEANING

- Clean engine, battery, seat, finish, etc. of all foreign matter.
- Keep finished surfaces and wheels free of all gasoline, oil, etc.
- Protect painted surfaces with automotive type wax.

We do not recommend using a garden hose to clean your unit unless the electrical system, muffler, air filter and carburetor are covered to keep water out. Water in engine can result in a shortened engine life.

SERVICE AND ADJUSTMENTS

CAUTION: BEFORE PERFORMING ANY SERVICE OR ADJUSTMENTS:



- Depress clutch/brake pedal fully and set parking brake.
- Place gearshift lever in "NEUTRAL" position.
- Place attachment clutch in "DISENGAGED" position.
- Turn ignition key "OFF" and remove key.
- Make sure the blades and all moving parts have completely stopped.
- Disconnect spark plug wire from spark plug and place wire where it cannot come in contact with plug.

LAWN RIDER

TO REMOVE MOWER (See Fig. 21)

Mower will be easier to remove from the right side of unit.

- Park tractor on a level surface and engage parking brake.
- Remove key from ignition.
- Be sure that mower clutch lever is in "DISENGAGED" position.
- Lower mower deck to lowest cutting position.
- Remove retainer spring and washer that holds mower clutch spring to the mower clutch arm.
- Disconnect mower clutch spring from mower clutch arm.
- Remove retainer springs and washers from mower stabilizer link.
- Remove retainer springs and washers from rear lift links.
- Remove retainer spring and washer from front lift link.
- Withdraw front lift links, rear lift links and mower stabilizer link from axle brackets.
- Remove belt from engine pulley.
- Raise mower lift handle to transport position.
- Turn front tires to left.
- Slide mower deck out on right side of tractor.

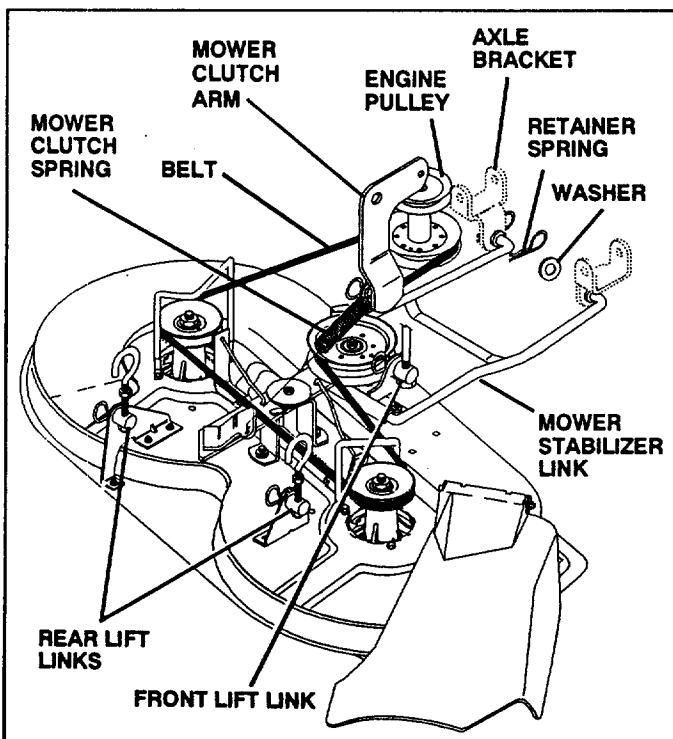


FIG. 21

TO INSTALL MOWER (See Fig. 21)

- Reverse removal instructions.

MOWER UPSTOP ADJUSTMENT (See Fig. 22)

- Raise mower lift lever to highest (transport) position.
- Measure distance from top of mower deck to lower flange of chassis (dim. "A").
- Dim. "A" should be 3-3/8 to 3-1/2 inches.
- To adjust dim. "A", if required, lower mower to lowest position. Remove washer and retainer spring in trunnion, then withdraw trunnion pin from bracket. Loosen lower trunnion locknut and rotate trunnion counter-clockwise on lift link to increase dim. "A" or clockwise on lift link to decrease dim. "A".
- Tighten lower trunnion locknut.

NOTE: Each full turn of trunnion will change dim. "A" by 1/16 inch. Re-insert trunnion into bracket with pin pointing to L.H. side of unit. Re-install washer and retainer spring.

- Raise lift lever to highest position and recheck dim. "A". Repeat adjustment if necessary.

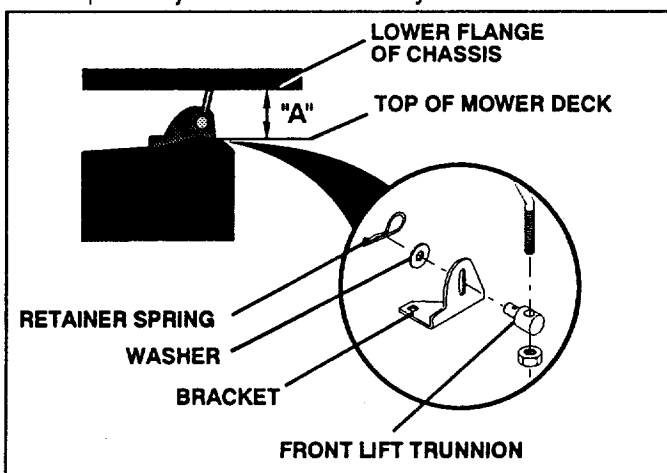


FIG. 22

SERVICE AND ADJUSTMENTS

TO LEVEL MOWER HOUSING (See Fig. 23 - Fig. 26)

Adjust the mower while tractor is parked on level ground or driveway. Make sure tires are properly inflated (See "PRODUCT SPECIFICATIONS" on page 3). If tires are over or under inflated, you will not properly adjust your mower.

NOTE: One rotation of trunnion nut is equivalent to approximately 1/8 inch of height change. Be sure upper and lower nuts are tightened against trunnion after adjustment has been completed.

- Place mower height adjustment knob in position "3" (See Fig. 23).
- Lower mower lift lever to height adjustment knob.

SIDE-TO-SIDE ADJUSTMENT (See Figs. 24 and 25) -

- Measure distance from ground to lower flange of mower deck on both sides of mower (dim. "B" & "C"). Dim. "B" & "C" should be the same.

Level the mower side-to-side by adjusting the left rear lift link.

- To raise left side of mower, loosen upper trunnion nut tighten the lower trunnion nut.
- To lower left side of mower, loosen lower trunnion nut and tighten upper trunnion nut.

FRONT-TO-BACK ADJUSTMENT (See Figs. 25 and 26)-

To obtain the best cutting results, the mower housing should be adjusted so the rear is approximately 1/4 to 3/8" higher than the front when the mower is in height adjustment position "3".

- Measure distance from ground line to lower flange of deck at right front and right rear (dim. "D" & "E") in line with front and rear tires.

Raise or lower rear of mower housing by adjusting the right rear lift link.

- To raise rear of mower housing, loosen upper trunnion nut and tighten lower trunnion nut.
- To lower rear of mower housing, loosen the lower trunnion nut and tighten upper trunnion nut.
- Recheck side-to-side adjustment.

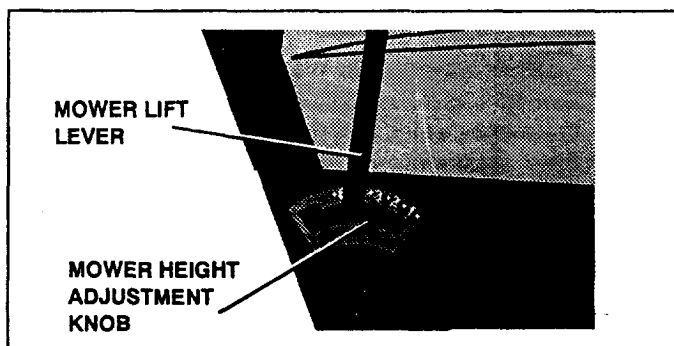


FIG. 23

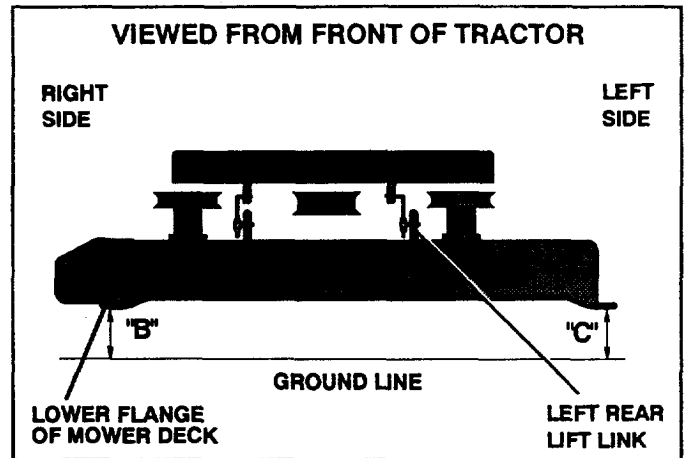


FIG. 24

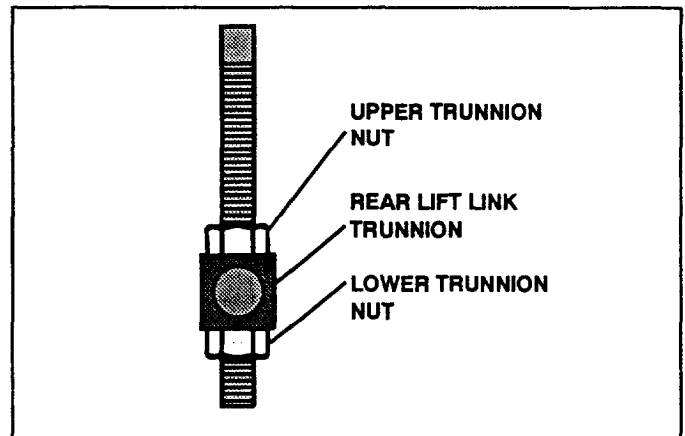


FIG. 25

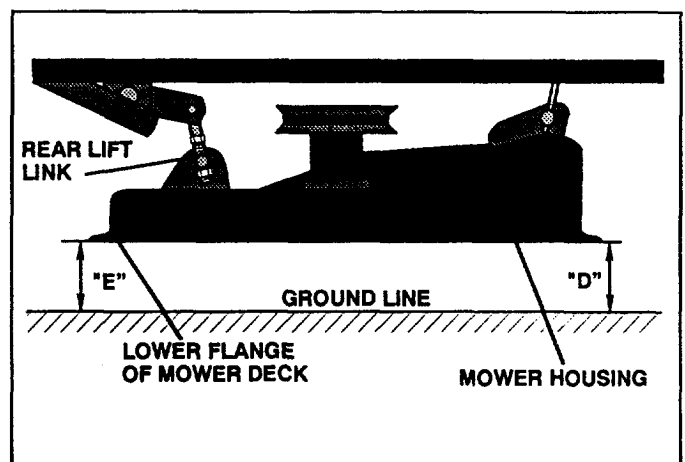


FIG. 26

SERVICE AND ADJUSTMENTS

TO ADJUST BRAKE (See Fig. 27)

Your unit is equipped with an adjustable brake system which is mounted on the right side of the transaxle.

If unit requires more than six (6) feet stopping distance at high speed in highest gear, then brake must be adjusted.

- Depress clutch/brake pedal and engage parking brake.
- Measure distance between brake operating arm and nut "A" on brake rod.
- If distance is other than 1-5/8", disengage parking brake, loosen jam nut and turn nut "A" until distance becomes 1-5/8". Retighten jam nut against nut "A".
- Engage parking brake and recheck distance.
- Road test unit for proper stopping distance as stated above. Readjust if necessary. If stopping distance is still greater than six (6) feet in highest gear, further maintenance is necessary. Contact your nearest authorized service center.

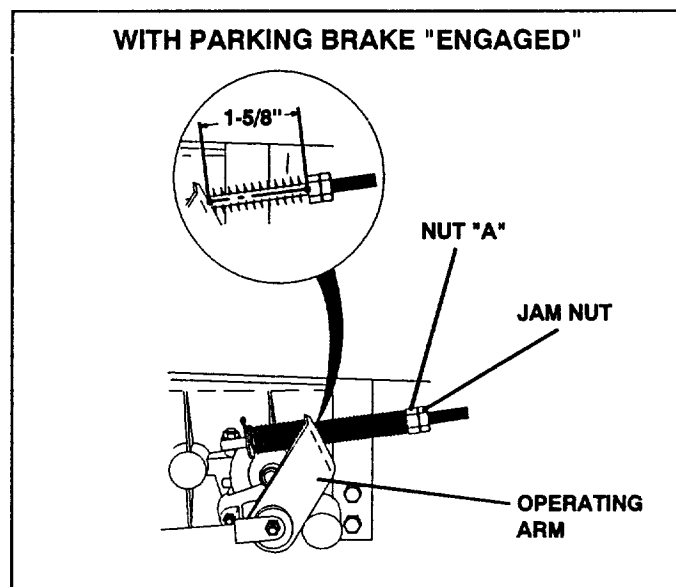


FIG. 27

TO REPLACE MOTION DRIVE BELT (See Fig. 28)

The tractor drive belt may be replaced without tools. Park the tractor on level area. Engage parking brake. For assistance, there is a belt installation guide decal on bottom side of left footrest.

- Engage parking brake.
- Lower mower lift lever to "lowest" position.
- Turn front wheels fully to left or right.
- Disconnect mower drive belt at engine pulley.
- Disconnect motion drive belt at clutching idler.
- Disconnect motion drive belt at transaxle. Push above transaxle pulley.

- Disconnect motion drive belt at frame belt keeper.
- Disconnect motion drive belt at engine pulley. Thread belt below mower drive sheave and through engine belt keeper and engine pulley.
- Remove belt.
- Install new belt by reversing above procedure.
- Make sure that belt is inside all belt keepers.

IMPORTANT: REPLACE ONLY WITH BELT LISTED IN THIS MANUAL.

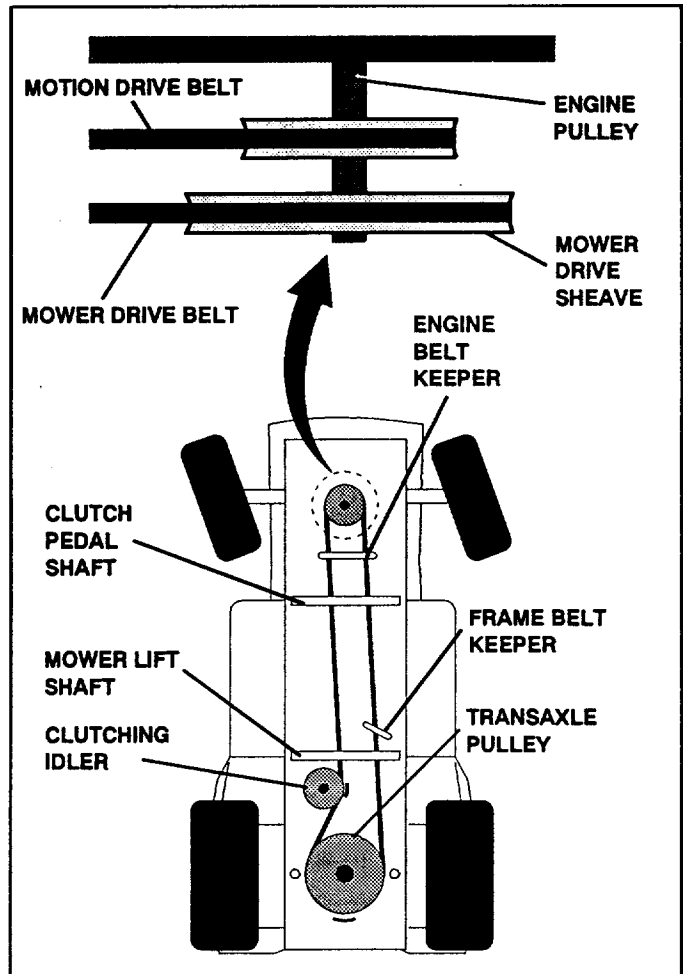


FIG. 28

TO ADJUST STEERING WHEEL ALIGNMENT

If steering wheel crossbars are not horizontal (left to right) when wheels are positioned straight forward, remove steering wheel and reassemble per instructions in the Assembly section of this manual.

FRONT WHEEL TOE-IN/CAMBER

The front wheel toe-in and camber are not adjustable on your tractor. If damage has occurred to affect the front wheel toe-in or camber, contact your nearest authorized service center.

SERVICE AND ADJUSTMENTS

TO REMOVE WHEEL FOR REPAIRS (See Fig. 29)

- Block up axle securely.
- Remove axle cover, retaining ring and washers to allow wheel removal (rear wheel contains a square key - Do not lose).
- Repair tire and reassemble.
- On rear wheels only: align grooves in rear wheel hub and axle. Insert square key.
- Replace washers and snap retaining ring securely in axle groove.
- Replace axle cover.

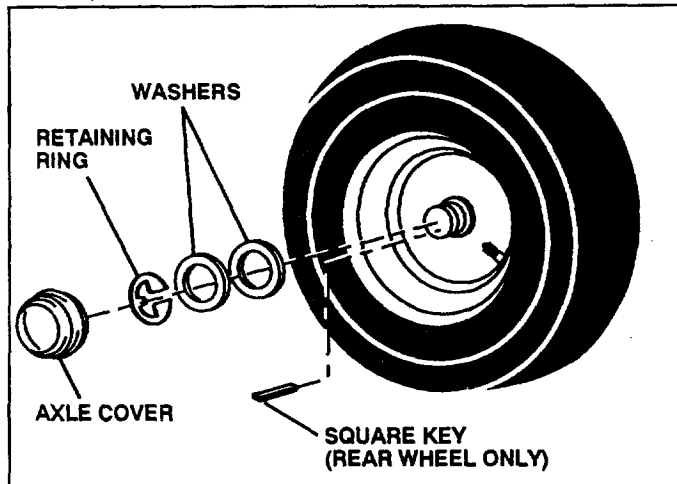


FIG. 29

TO START ENGINE WITH A WEAK BATTERY (See Fig. 30)



CAUTION: Lead-acid batteries generate explosive gases. Keep sparks, flame and smoking materials away from batteries. Always wear eye protection when around batteries.

If your battery is too weak to start the engine, it should be recharged. If "jumper cables" are used for emergency starting, follow this procedure:

IMPORTANT: YOUR UNIT IS EQUIPPED WITH A 12 VOLT NEGATIVE GROUNDED SYSTEM. THE OTHER VEHICLE MUST ALSO BE A 12 VOLT NEGATIVE GROUNDED SYSTEM. DO NOT USE YOUR TRACTOR BATTERY TO START OTHER VEHICLES.

TO ATTACH JUMPER CABLES -

- Connect each end of the RED cable to the POSITIVE (+) terminal of each battery, taking care not to short against chassis.
- Connect one end of the BLACK cable to the NEGATIVE (-) terminal of fully charged battery.
- Connect the other end of the BLACK cable to a good CHASSIS GROUND, away from fuel tank and battery.

TO REMOVE CABLES, REVERSE ORDER -

- BLACK cable first from left side of chassis and fully charged battery.
- RED cable last from both batteries.

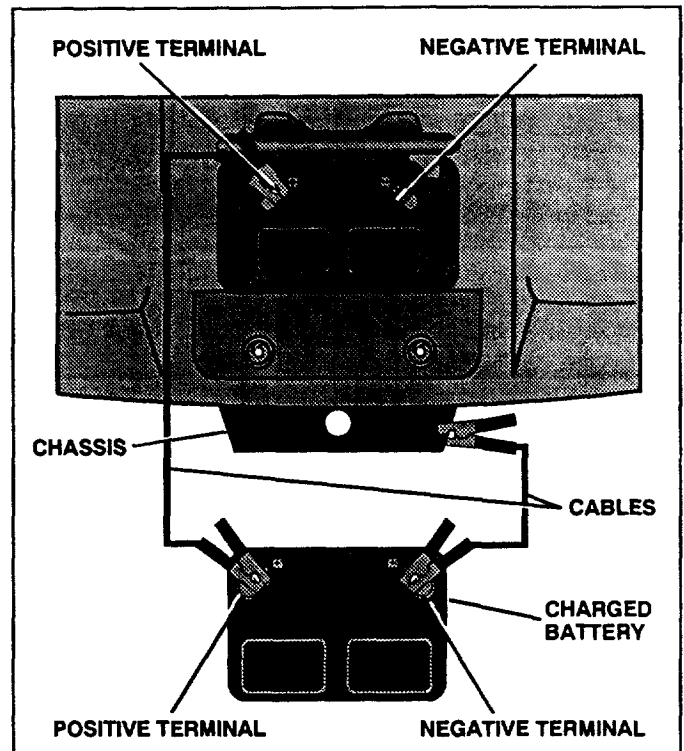


FIG. 30

TO REPLACE FUSE

Replace with 30 amp automotive-type plug-in fuse. The fuse holder is located next to the battery box, accessible from left rear wheel area.

INTERLOCKS AND RELAYS

Loose or damaged wiring may cause your tractor to run poorly, stop running or prevent it from starting.

- Check wiring. See the electrical wiring diagram in the Repair Parts section of this manual.

TO REMOVE HOOD (See FIG. 31)

- With hood closed, remove hood spring from hole in grill strap.
- Remove left side and right side pivot.
- Lift hood off unit.
- To reassemble hood, reverse above procedure.

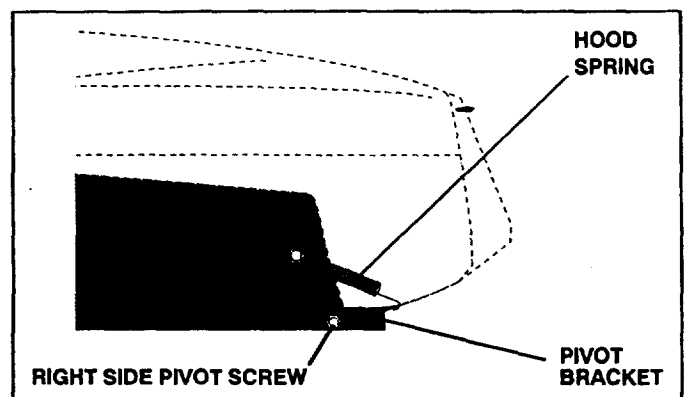


FIG. 31

SERVICE AND ADJUSTMENTS

ENGINE

TO ADJUST THROTTLE CONTROL CABLE (See Fig. 32)

The throttle control has been preset at the factory and adjustment should not be necessary. Check adjustment as described below before loosening cable. If adjustment is necessary, proceed as follows:

- With engine not running, move throttle control lever from "SLOW" to "CHOKE" position. Slowly move lever from "CHOKE" to "FAST" position.
- Check that holes "A" in governor control lever and hole in governor plate line-up. If holes "A" are not aligned, loosen clamp screw and move throttle cable until holes are aligned. Tighten clamp screw securely.

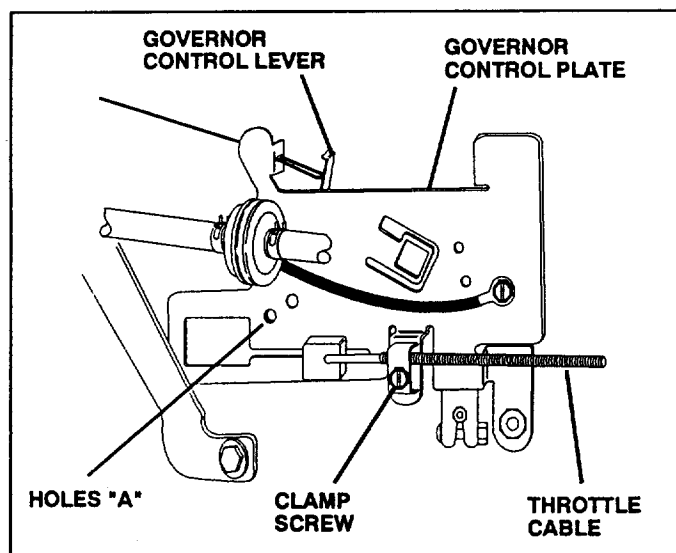


FIG. 32

TO ADJUST CARBURETOR (See Fig. 33)

The carburetor has been preset at the factory and adjustment should not be necessary. However, minor adjustment may be required to compensate for differences in fuel, temperature, altitude or load. If the carburetor does need adjustment, proceed as follows:

In general, turning idle mixture valve **in** (clockwise) decreases the supply of fuel to the engine giving a leaner fuel/air mixture. Turning the idle mixture valve **out** (counterclockwise) increases the supply of fuel to the engine giving a richer fuel/air mixture.

IMPORTANT: DAMAGE TO THE NEEDLE VALVE AND THE SEAT IN CARBURETOR MAY RESULT IF SCREW IS TURNED IN TOO TIGHT.

PRELIMINARY SETTING -

- Air cleaner assembly must be assembled to the carburetor when making carburetor adjustments.
- Be sure the throttle control cable is adjusted properly (see above).
- With engine off turn idle mixture valve **in** (clockwise) closing it finger tight and then turn **out** (counterclockwise) 1 full turn.

FINAL SETTING -

- Start engine and allow to warm for five minutes. Make final adjustments with engine running and shift/motion control lever in "NEUTRAL" position.
- Move throttle control lever to "SLOW" position. With finger, rotate and hold throttle lever against idle speed screw. Turn idle speed screw to attain 1750 RPM.
- While still holding throttle lever against idle speed screw, turn idle mixture valve **in** (clockwise) until engine begins to die and then turn **out** (counterclockwise) until engine runs rough. Turn valve to a point midway between those two positions. Release throttle lever.

ACCELERATION TEST -

- Move throttle control lever from "SLOW" to "FAST" position. If engine hesitates or dies, turn idle mixture valve **out** (counterclockwise) 1/8 turn. Repeat test and continue to adjust, if necessary, until engine accelerates smoothly.

High speed stop is factory adjusted. Do not adjust - damage may result.

IMPORTANT: NEVER TAMPER WITH THE ENGINE GOVERNOR, WHICH IS FACTORY SET FOR PROPER ENGINE SPEED. OVERSPEEDING THE ENGINE ABOVE THE FACTORY HIGH SPEED SETTING CAN BE DANGEROUS. IF YOU THINK THE ENGINE-GOVERNED HIGH SPEED NEEDS ADJUSTING, CONTACT YOUR NEAREST AUTHORIZED SERVICE CENTER, WHICH HAS PROPER EQUIPMENT AND EXPERIENCE TO MAKE ANY NECESSARY ADJUSTMENTS.

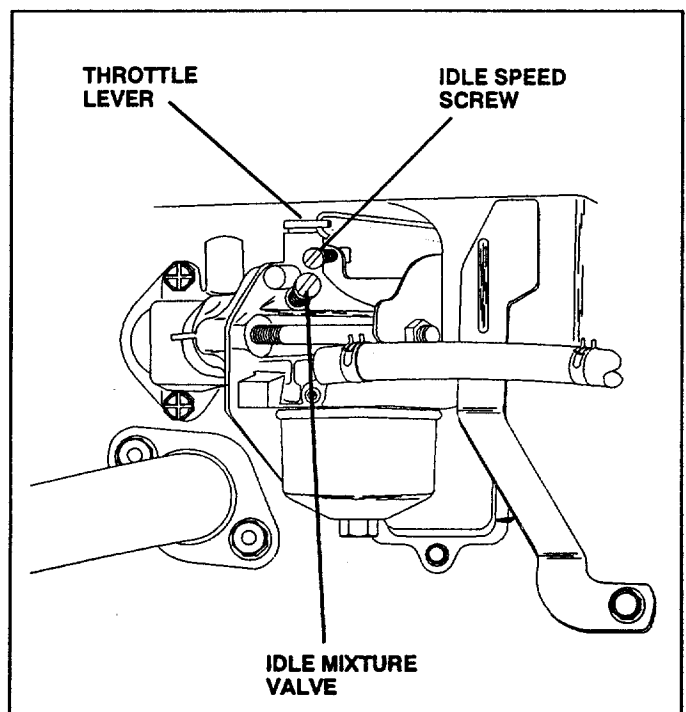


FIG. 33

STORAGE

Immediately prepare your tractor for storage at the end of the season or if the unit will not be used for 30 days or more.



CAUTION: Never store the tractor with gasoline in the tank inside a building where fumes may reach an open flame or spark. Allow the engine to cool before storing in any enclosure.

TRACTOR

Remove mower from tractor for winter storage. When mower is to be stored for a period of time, clean it thoroughly, remove all dirt, grease, leaves, etc. Store in a clean, dry area.

- Clean entire tractor (See "CLEANING" in the Maintenance section of this manual).
- Inspect and replace belts, if necessary (See belt replacement instructions in the Service and Adjustments section of this manual).
- Lubricate as shown in the Maintenance section of this manual.
- Be sure that all nuts, bolts and screws are securely fastened. Inspect moving parts for damage, breakage and wear. Replace if necessary.
- Touch up all rusted or chipped paint surfaces; sand lightly before painting.

BATTERY

- Fully charge the battery for storage.
- After a period of time in storage, battery may require recharging.
- To help prevent corrosion and power leakage during long periods of storage, battery cables should be disconnected and battery cleaned thoroughly (see "TO CLEAN BATTERY AND TERMINALS" in the Maintenance section of this manual).
- After cleaning, leave cables disconnected and place cables where they cannot come in contact with battery terminals.
- Be sure battery drain tube is securely attached.

ENGINE

FUEL SYSTEM

IMPORTANT: IT IS IMPORTANT TO PREVENT GUM DEPOSITS FROM FORMING IN ESSENTIAL FUEL SYSTEM PARTS SUCH AS CARBURETOR, FUEL FILTER, FUEL HOSE, OR TANK DURING STORAGE. ALSO, EXPERIENCE INDICATES THAT ALCOHOL BLENDED FUELS (CALLED GASOHOL OR USING ETHANOL OR METHANOL) CAN ATTRACT MOISTURE WHICH LEADS TO SEPARATION AND FORMATION OF ACIDS DURING STORAGE. ACIDIC GAS CAN DAMAGE THE FUEL SYSTEM OF AN ENGINE WHILE IN STORAGE.

- Drain the fuel tank.
- Start the engine and let it run until the fuel lines and carburetor are empty.
- Never use engine or carburetor cleaner products in the fuel tank or permanent damage may occur.
- Use fresh fuel next season.

NOTE: Fuel stabilizer is an acceptable alternative in minimizing the formation of fuel gum deposits during storage. Add stabilizer to gasoline in fuel tank or storage container. Always follow the mix ratio found on stabilizer container. Run engine at least 10 minutes after adding stabilizer to allow the stabilizer to reach the carburetor. Do not drain the gas tank and carburetor if using fuel stabilizer.

ENGINE OIL

Drain oil (with engine warm) and replace with clean engine oil. (See "ENGINE" in the Maintenance section of this manual).

CYLINDERS

- Remove spark plug(s).
- Pour one ounce of oil through spark plug hole(s) into cylinder(s).
- Turn ignition key to "START" position for a few seconds to distribute oil.
- Replace with new spark plug(s).

OTHER

- Do not store gasoline from one season to another.
- Replace your gasoline can if your can starts to rust. Rust and/or dirt in your gasoline will cause problems.
- If possible, store your unit indoors and cover it to give protection from dust and dirt.
- Cover your unit with a suitable protective cover that does not retain moisture. Do not use plastic. Plastic cannot breathe which allows condensation to form and will cause your unit to rust.

IMPORTANT: NEVER COVER TRACTOR WHILE ENGINE AND EXHAUST ARE STILL WARM.

TROUBLESHOOTING POINTS

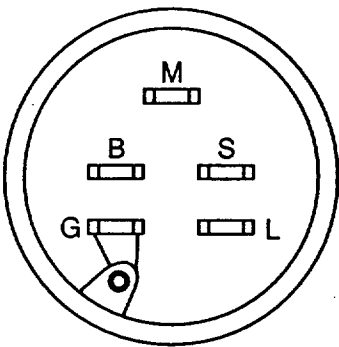
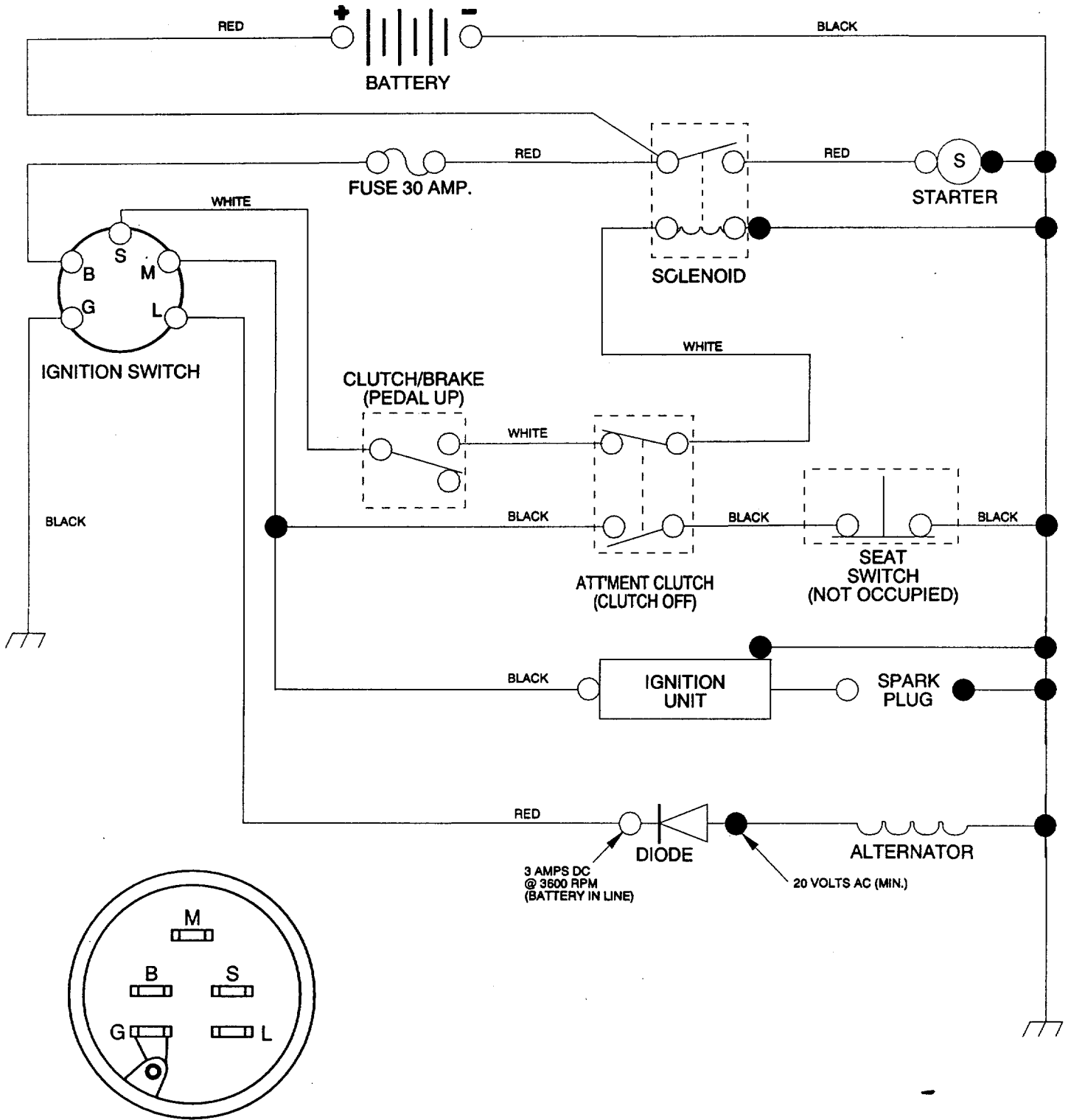
PROBLEM	CAUSE	CORRECTION
Will not start	<ol style="list-style-type: none"> 1. Out of fuel. 2. Engine not "CHOKED" properly. 3. Engine flooded. 4. Bad spark plug. 5. Dirty air filter. 6. Dirty fuel filter. 7. Water in fuel. 8. Loose or damaged wiring. 9. Carburetor out of adjustment. 10. Engine valves out of adjustment. 	<ol style="list-style-type: none"> 1. Fill fuel tank. 2. See "TO START ENGINE" in the Operation section. 3. Wait several minutes before attempting to start. 4. Replace spark plug. 5. Clean/replace air filter. 6. Replace fuel filter. 7. Drain fuel tank and carburetor, refill tank with fresh gasoline and replace fuel filter. 8. Check all wiring. 9. Contact Sears Service Center/Department. 10. Contact Sears Service Center/Department.
Hard to start	<ol style="list-style-type: none"> 1. Dirty air filter. 2. Bad spark plug. 3. Weak or dead battery. 4. Dirty fuel filter. 5. Stale or dirty fuel. 6. Loose or damaged wiring. 7. Carburetor out of adjustment. 8. Engine valves out of adjustment. 	<ol style="list-style-type: none"> 1. Clean/replace air filter. 2. Replace spark plug. 3. Recharge or replace battery. 4. Replace fuel filter. 5. Drain fuel tank and refill with fresh gasoline. 6. Check all wiring. 7. Contact Sears Service Center/Department. 8. Contact Sears Service Center/Department.
Engine will not turn over	<ol style="list-style-type: none"> 1. Clutch/brake pedal not depressed. 2. Attachment clutch is engaged. 3. Spark plug wire is disconnected. 4. Weak or dead battery. 5. Blown fuse. 6. Corroded battery terminals. 7. Loose or damaged wiring. 8. Faulty ignition switch. 9. Faulty solenoid or starter. 10. Faulty operator presence switch(es). 	<ol style="list-style-type: none"> 1. Depress clutch/brake pedal. 2. Disengage attachment clutch. 3. Connect wire to spark plug. 4. Recharge or replace battery. 5. Replace fuse. 6. Clean battery terminals. 7. Check all wiring. 8. Check/replace ignition switch. 9. Check/replace solenoid or starter. 10. Contact Sears Service Center/Department.
Engine clicks but will not start	<ol style="list-style-type: none"> 1. Weak or dead battery. 2. Corroded battery terminals. 3. Loose or damaged wiring. 4. Faulty solenoid or starter. 	<ol style="list-style-type: none"> 1. Recharge or replace battery. 2. Clean battery terminals. 3. Check all wiring. 4. Check/replace solenoid or starter.
Loss of power	<ol style="list-style-type: none"> 1. Cutting too much grass/too fast. 2. Throttle in "CHOKE" position. 3. Build-up of grass, leaves and trash under mower. 4. Dirty air filter. 5. Low oil level/dirty oil. 6. Faulty spark plug. 7. Dirty fuel filter. 8. Stale or dirty fuel. 9. Water in fuel. 10. Spark plug wire loose. 11. Dirty engine air screen/fins. 12. Dirty/clogged muffler. 13. Loose or damaged wiring. 14. Carburetor out of adjustment. 15. Engine valves out of adjustment. 	<ol style="list-style-type: none"> 1. Set in "Higher Cut" position/reduce speed. 2. Adjust throttle control. 3. Clean underside of mower housing. 4. Clean/replace air filter. 5. Check oil level/change oil. 6. Clean and regap or change spark plug. 7. Replace fuel filter. 8. Drain fuel tank and refill with fresh gasoline. 9. Drain fuel tank and carburetor, refill tank with fresh gasoline and replace fuel filter. 10. Connect and tighten spark plug wire. 11. Clean engine air screen/fins. 12. Clean/replace muffler. 13. Check all wiring. 14. Contact Sears Service Center/Department. 15. Contact Sears Service Center/Department.
Excessive vibration	<ol style="list-style-type: none"> 1. Worn, bent or loose blade. 2. Bent blade mandrel. 3. Loose/damaged part(s). 	<ol style="list-style-type: none"> 1. Replace blade. Tighten blade bolt. 2. Replace blade mandrel. 3. Tighten loose part(s). Replace damaged parts.

TROUBLESHOOTING POINTS

PROBLEM	CAUSE	CORRECTION
Engine continues to run when operator leaves seat with attachment clutch engaged	<ol style="list-style-type: none"> 1. Faulty operator-safety presence control system. 	<ol style="list-style-type: none"> 1. Check wiring, switches and connections. If not corrected, contact Sears Service Center/Department.
Poor cut - uneven	<ol style="list-style-type: none"> 1. Worn, bent or loose blade. 2. Mower deck not level. 3. Buildup of grass, leaves, and trash under mower. 4. Bent blade mandrel. 	<ol style="list-style-type: none"> 1. Replace blade. Tighten blade bolt. 2. Level mower deck. 3. Clean underside of mower housing. 4. Replace blade mandrel.
Mower blades will not rotate	<ol style="list-style-type: none"> 1. Obstruction in clutch mechanism. 2. Mower drive belt out of adjustment. 3. Worn/damaged mower drive belt. 4. Frozen idler pulley. 5. Frozen blade mandrel. 	<ol style="list-style-type: none"> 1. Remove obstruction. 2. Adjust mower drive belt. 3. Replace mower drive belt. 4. Replace idler pulley. 5. Replace blade mandrel.
Poor grass discharge	<ol style="list-style-type: none"> 1. Engine speed too slow. 2. Travel speed too fast. 3. Wet grass. 4. Mower deck not level. 5. Low/uneven tire air pressure. 6. Worn, bent or loose blade. 7. Buildup of grass, leaves and trash under mower. 8. Mower drive belt worn or out of adjustment. 9. Blades improperly installed. 10. Improper blades used. 	<ol style="list-style-type: none"> 1. Place throttle control in "FAST" position. 2. Shift to slower speed. 3. Allow grass to dry before mowing. 4. Level mower deck. 5. Check tires for proper air pressure. 6. Replace/sharpen blade. Tighten blade bolt. 7. Clean underside of mower housing. 8. Replace/adjust mower drive belt. 9. Reinstall blades sharp edge down. 10. Replace with blades listed in this manual.
Headlight(s) not working (if so equipped)	<ol style="list-style-type: none"> 1. Switch is "OFF". 2. Bulb(s) burned out. 3. Faulty light switch. 4. Loose or damaged wiring. 5. Blown fuse. 	<ol style="list-style-type: none"> 1. Turn switch "ON". 2. Replace bulb(s). 3. Check/replace light switch. 4. Check wiring and connections. 5. Replace fuse.
Battery will not charge	<ol style="list-style-type: none"> 1. Bad battery cell(s). 2. Poor cable connections. 3. Faulty regulator (if so equipped). 	<ol style="list-style-type: none"> 1. Replace battery. 2. Check/clean all connections. 3. Replace regulator.

12 HP 36" LAWN RIDER - - MODEL NUMBER 917.257462

SCHEMATIC



IGNITION SWITCH

POSITION	CIRCUIT
OFF	M + G
ON	B + L
START	B + S

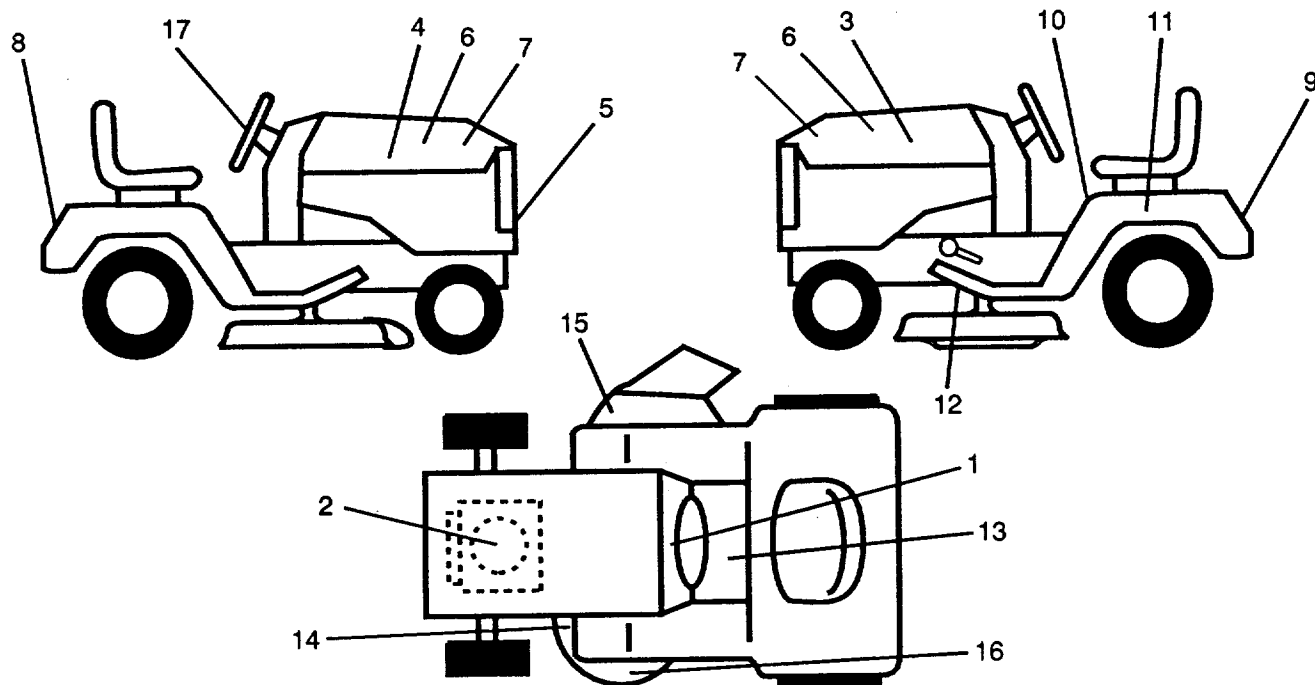
- NON-REMOVABLE CONNECTIONS
- REMOVABLE CONNECTIONS

WIRING INSULATED CLIPS
 NOTE: IF WIRING INSULATED CLIPS WERE REMOVED FOR SERVICING OF UNIT, THEY SHOULD BE REPLACED TO PROPERLY SECURE YOUR WIRING

REPAIR PARTS

12 HP 36" LAWN RIDER - - MODEL NUMBER 917.257462

DECALS



KEY PART NO. NO.

DESCRIPTION

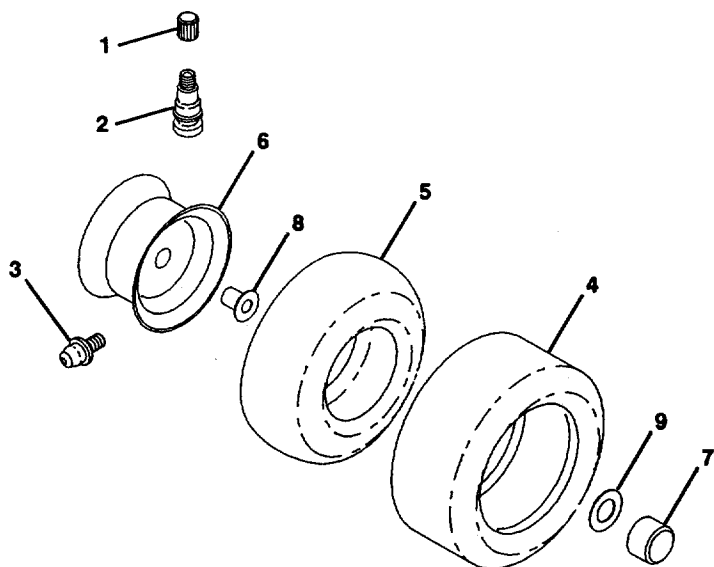
1	126712X	Decal, Instruction, Engine
2	126685X	Decal, Engine
3	130622	Decal, Stripe, Hood, L.H.
4	130621	Decal, Stripe, Hood, R.H.
5	126241X	Decal, Grill
6	126770X	Decal, Side Panel
7	108631X	Decal, II
8	125880X	Decal, Fender
9	127521	Decal, USA
10	106974X	Decal, Caution

KEY PART NO. NO.

DESCRIPTION

11	121549X	Decal, Caution, Battery
12	123408X	Decal, V-Belt Drive
13	126701X	Pad, Center
14	105814X	Decal, Mower Drive Belt
15	121343X	Decal, Danger
16	3713J	Decal, Rotating Blades
17	125879X	Decal, Steering Wheel Insert
--	101539X	Sheet, Instruction, 15° Slope
--	130147	Manual, Owner's

WHEELS & TIRES



KEY PART NO. NO.

DESCRIPTION

1	59192	Cap, Valve
2	65139	Stem, Valve
3	278H	Fitting, Grease (Front Only)
4	123410X	Tire, Front
	106230X	Tire, Rear
5	59904	Tube, Tire, Front
		(Not Supplied, Service Item Only)
	8134H	Tube, Tire, Rear
		(Not Supplied, Service Item Only)
6	122394X361	Rim, Front
	123412X361	Rim, Rear
7	104757X	Cap, Axle (Front and Rear)
8	9040H	Bearing, Flange (Front only)
9	121748X	Washer 25/32 x 1-5/8 x 16 Gauge

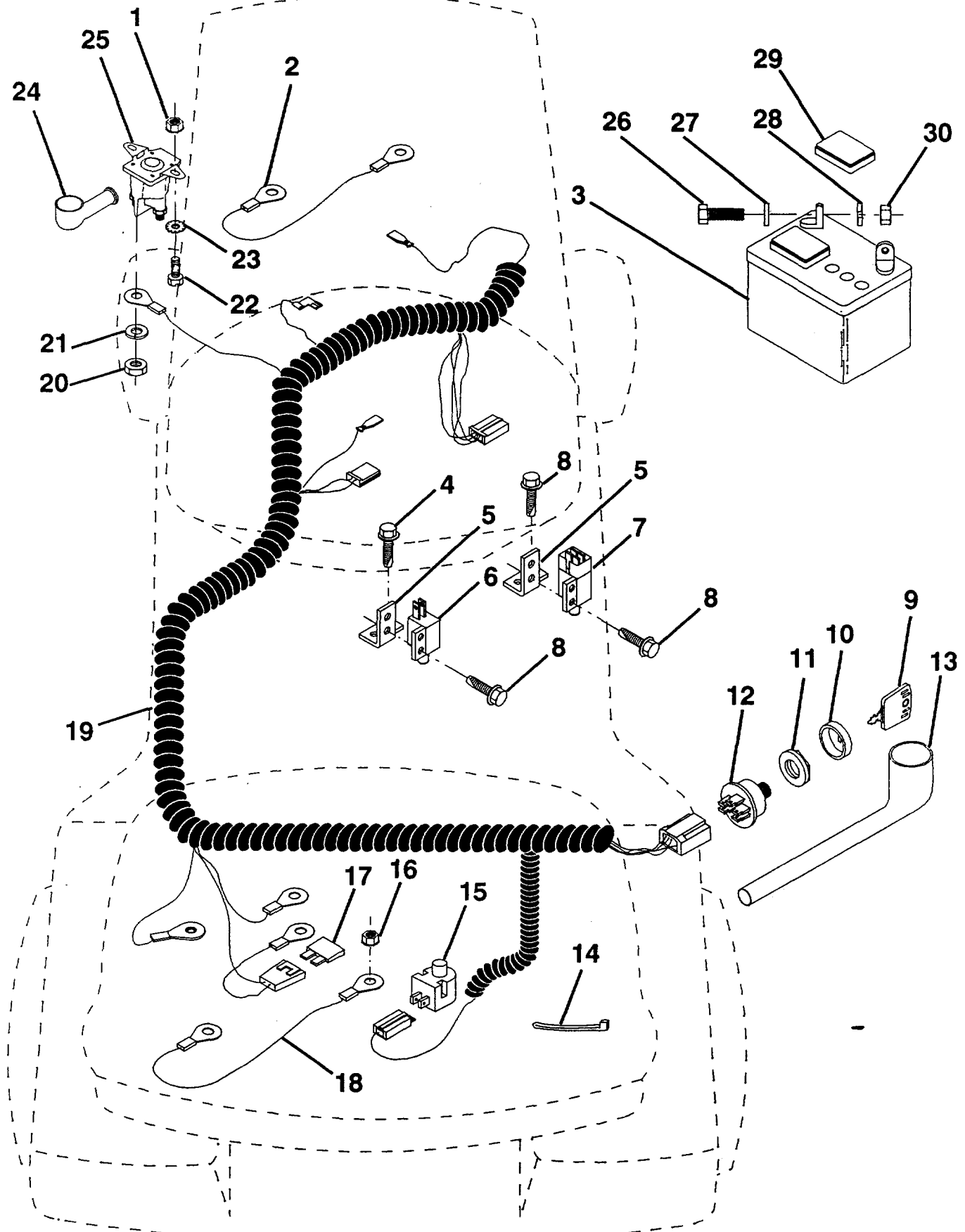
NOTE: All component dimensions given in U.S. inches
1 inch = 25.4 mm

HARDWARE SHOWN LARGER FOR EASIER IDENTIFICATION

REPAIR PARTS

12 HP 36" LAWN RIDER - - MODEL NUMBER 917.257462

ELECTRICAL



REPAIR PARTS

12 HP 36" LAWN RIDER - - MODEL NUMBER 917.257462

ELECTRICAL

KEY PART NO.	PART NO.	DESCRIPTION
1	73510400	Nut, Hex, Keps 1/4-20 UNC
2	108423X	Assembly, Cable
3	121265X	Battery
4	STD611005	* Screw, Hex Washer Head, Tapping #10-16 x 1/2
5	108236X	Bracket, Switch
6	104445X	Switch, Interlock
7	109553X	Switch, Interlock
8	STD601005	* Screw, Hex Head, Tapping #10-24 x 1/2
9	109310X	Key, Molded
10	123620X	Cover, Key, Ignition
11	124211X	Nut, Ignition
12	STD365402	* Switch, Ignition
13	124083X	Cover, Ignition Switch
14	7192J	Tie, Cable
15	121305X	Switch, Plunger
16	STD541431	* Nut, Keps 5/16-18
17	108824X	Fuse
18	128353	Assembly, Cable
19	132223	Harness, Ignition
20	73350400	Nut, Hex, Jam 1/4-20
21	STD551125	* Washer, Lock 1/4
22	74780408	Bolt, Hex 1/4-20 x 12 Grade 5
23	STD551225	* Washer, Lock, External Tooth 1/4
24	131563	Cover, Terminal
25	109081X	Solenoid
26	74760412	Bolt, Hex Head 1/4-20 UNC x 3/4
27	STD551025	* Washer 9/32 x 5/8 x 16 Gauge
28	STD551125	* Washer, Lock, Hvy. Hel. Spring 1/4
29	121264X	Cap, Battery
30	STD541025	* Nut, Hex, Fin 1/4-20

* STANDARD HARDWARE - - PURCHASE LOCALLY

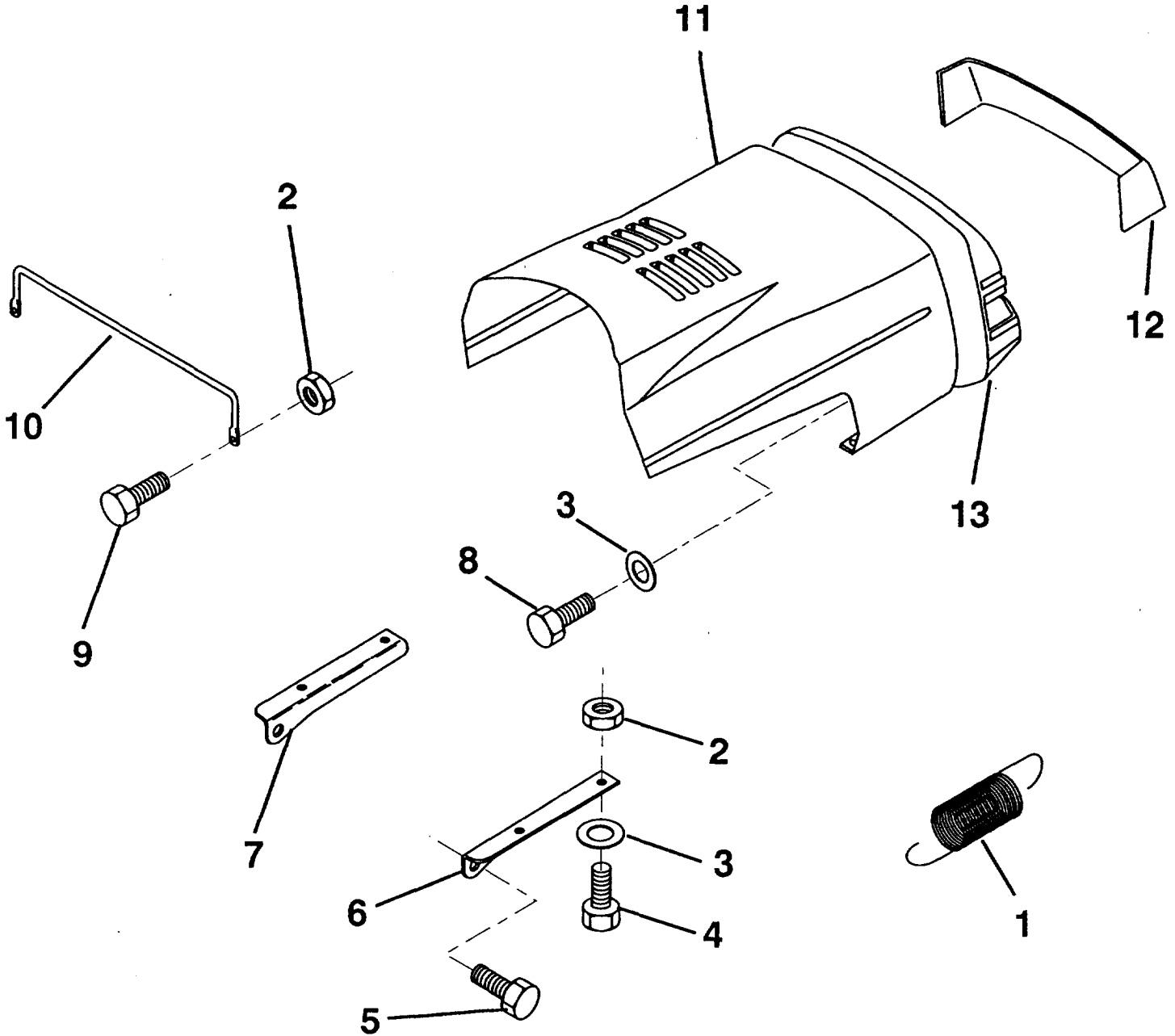
NOTE: All component dimensions given in U.S. inches
1 inch = 25.4 mm

HARDWARE SHOWN LARGER FOR EASIER IDENTIFICATION

REPAIR PARTS

12 HP 36" LAWN RIDER - - MODEL NUMBER 917.257462

HOOD



KEY PART NO. NO.

KEY PART NO.	NO.	DESCRIPTION
1	124657X	Spring, Extension
2	STD541425	* Nut, Hex, Keps 1/4-20 UNC
3	STD551025	* Washer 9/32 x 5/8 x 16 Gauge
4	STD522506	* Bolt, Hex, Fin 1/4-20 UNC x 5/8 Grade 5
5	126675X	Bolt, Shoulder
6	122549X	Bracket, Hood, RH
7	122548X	Bracket, Hood, LH
8	17411310	Screw, Hex, Fin #13-16 Hi-Lo x 5/8

KEY PART NO. NO.

KEY PART NO.	NO.	DESCRIPTION
9	STD522507	* Bolt, Hex, Fin 1/4-20 x 3/4 Grade 5
10	123693X	Brace, Hood
11	122032X361	Hood
12	125745X361	Plate, Grill Trim
13	123705X	Grill

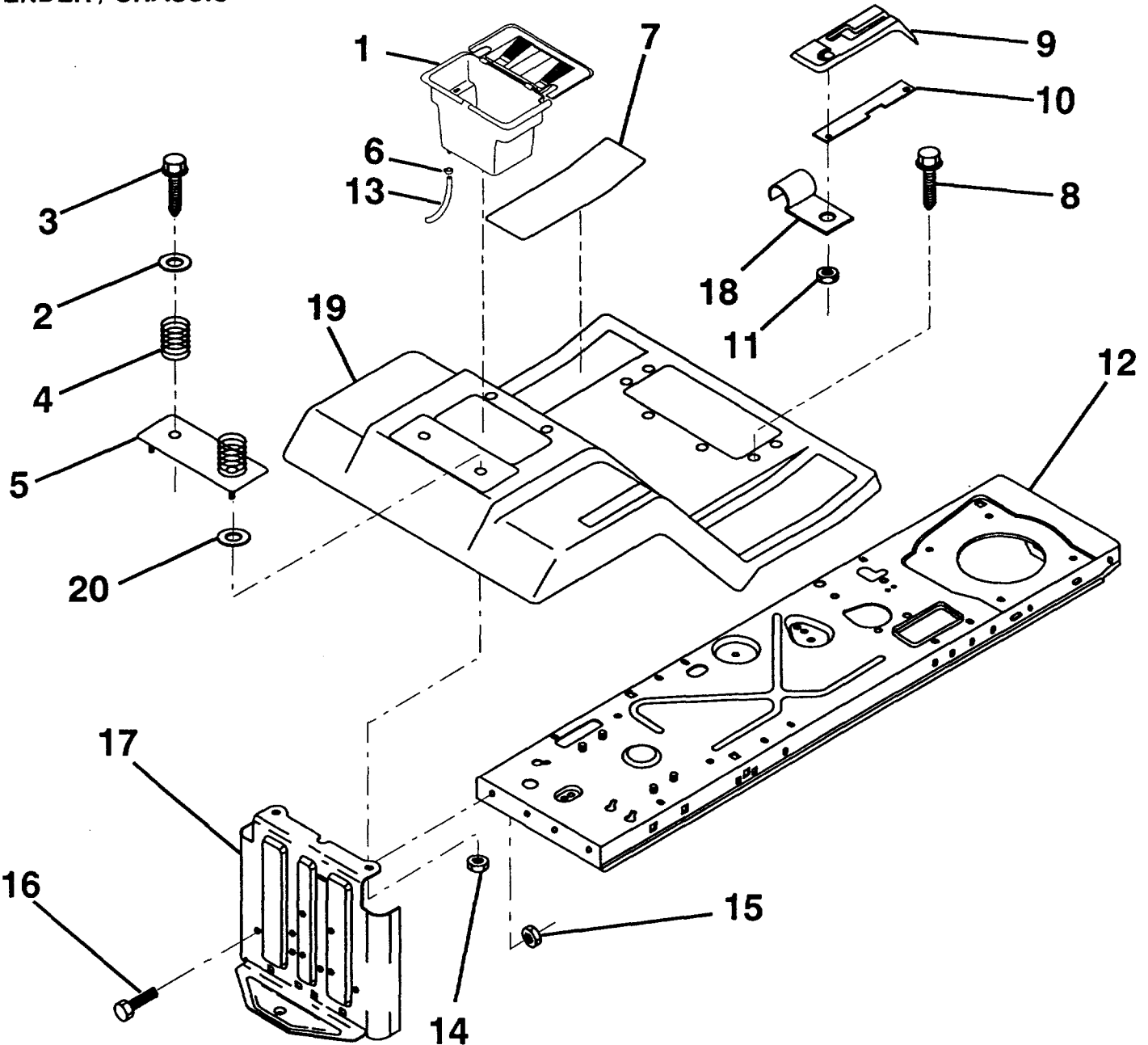
* STANDARD HARDWARE - - PURCHASE LOCALLY
NOTE: All component dimensions given in U.S. inches
1 inch = 25.4 mm

HARDWARE SHOWN LARGER FOR EASIER IDENTIFICATION

REPAIR PARTS

12 HP 36" LAWN RIDER - - MODEL NUMBER 917.257462

FENDER / CHASSIS



KEY PART NO. NO.

DESCRIPTION

1	129965	Case, Battery
2	19132012	Washer 13/32 x 1-1/4 x 12 Gauge
3	17490612	Screw, Hex Washer Head, Thd. Roll. 3/8-16 x 3/4
4	124181X	Spring, Compression, Seat
5	127115X419	Plate, Fender
6	109596X	Clamp, Hose
7	126700X	Pad, Footrest
8	17490512	Screw, Hex Washer Head, Thd. Roll. 5/16-18 x 3/4
9	126995X	Console, Shift Control
10	124602X	Bar, Shift Lock
11	124346X	Nut, Self-Threading 3/16

KEY PART NO. NO.

DESCRIPTION

12	123645X	Assembly, Frame
13	105687X	Tube, Battery Drain
14	73510400	Nut, Hex, Keps 1/4-20
15	STD541431	* Nut, Crownlock 5/16-18
16	STD523107	* Bolt, Hex 5/16-18 UNC x 3/4
17	127880	Drawbar
18	126470X	Clip, Insulated
19	128083X417	Fender/Footrest
20	19091413	Washer 9/32 x 7/8 x 13 Gauge

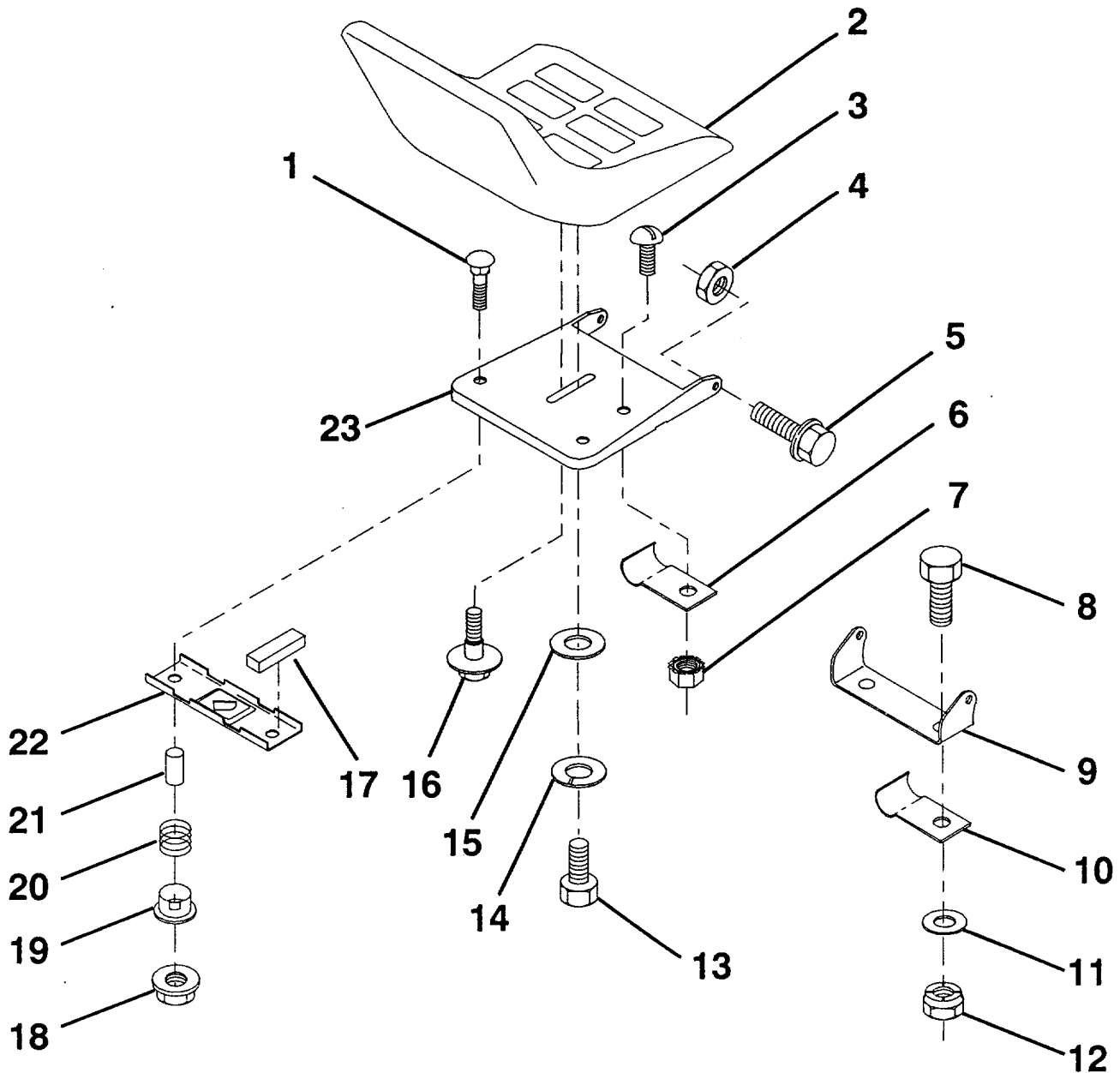
* STANDARD HARDWARE - - PURCHASE LOCALLY
NOTE: All component dimensions given in U.S. inches
 1 inch = 25.4 mm

HARDWARE SHOWN LARGER FOR EASIER IDENTIFICATION

REPAIR PARTS

12 HP 36" LAWN RIDER - - MODEL NUMBER 917.257462

SEAT



KEY PART NO. NO.	DESCRIPTION
1	72050411 Bolt, Carriage 1/4-20 x 1-3/8
2	127436 Seat
3	STD511005 * Screw, Slotted Pan Head #10-32 x 1/2
4	STD541431 * Nut, Crownlock 5/16-18
5	105529X Bolt, Shoulder 5/16-18 UNC
6	4171R Clip, Insulated
7	73951000 Nut, Keps #10-32 UNF
8	STD523707 * Bolt, Hex, Fin 3/8-16 UNC x 3/4
9	126656X Bracket, Pivot, Seat
10	126471X Clip, Insulated
11	19131210 Washer 13/32 x 3/4 x 10 Gauge
12	STD541437 * Nut, Crownlock 3/8-16 UNC
13	74780814 Bolt, Hex, Fin 1/2-13 UNC x 1

KEY PART NO. NO.	DESCRIPTION
14	STD551150 * Washer, Lock 1/2
15	19171912 Washer 17/32 x 1-3/16 x 12 Gauge
16	127018X Bolt, Shoulder
17	121251X Strip, Foam
18	123976X Locknut, Hex, Large, Flange
19	121248X Bushing, Snap
20	121250X Spring, Compression
21	121249X Spacer, Split, Large .28 Id. x .88
22	121246X Bracket, Switch, Mounting
23	124294X Pan, Seat

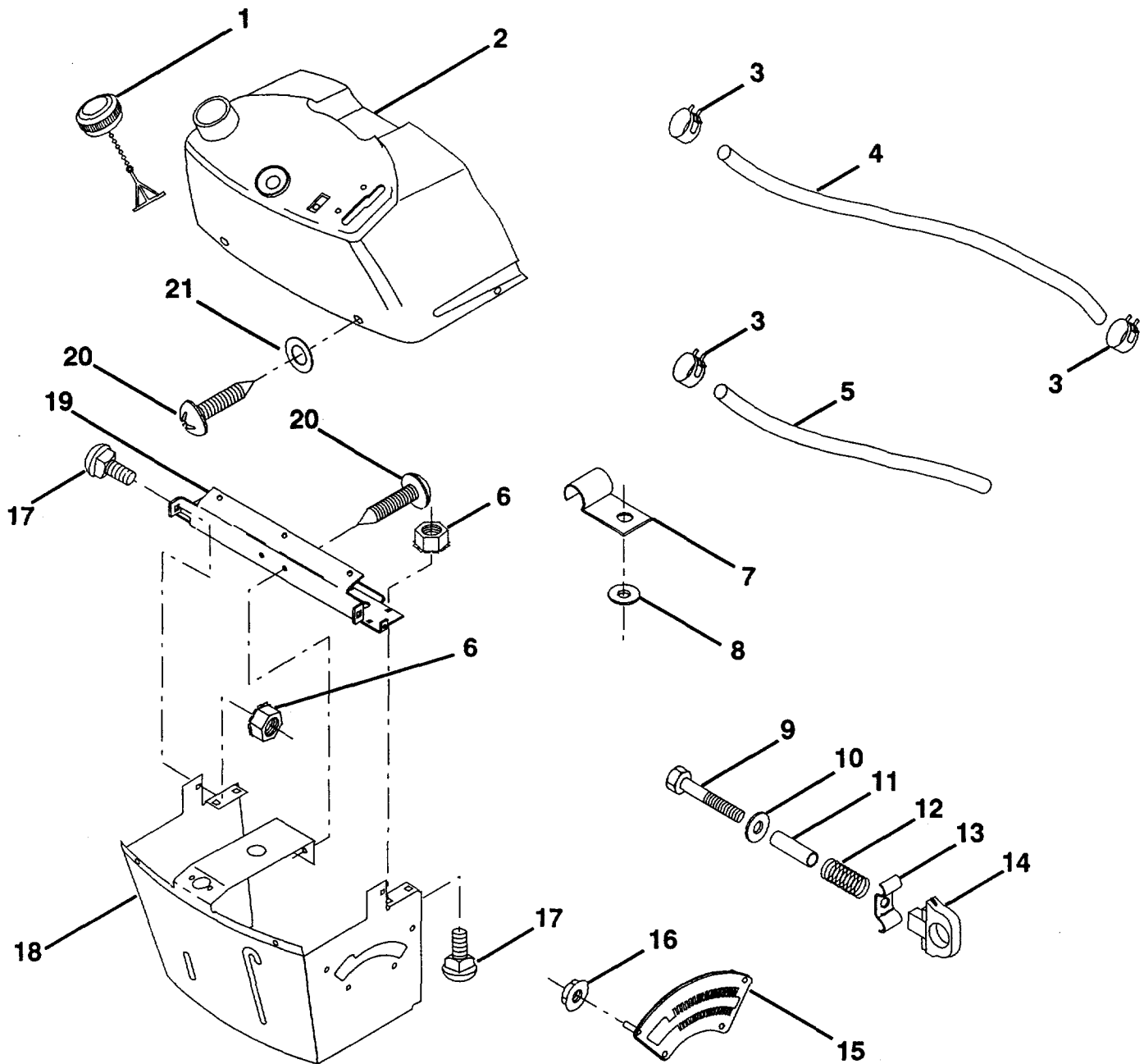
* STANDARD HARDWARE - - PURCHASE LOCALLY
 NOTE: All component dimensions given in U.S. inches
 1 inch = 25.4 mm

HARDWARE SHOWN LARGER FOR EASIER IDENTIFICATION

REPAIR PARTS

12 HP 36" LAWN RIDER - - MODEL NUMBER 917.257462

DASH



KEY PART NO. NO.

DESCRIPTION

1	122015X	Cap, Fuel
2	130913	Assembly, Dash & Fuel Tank
3	123487X	Clamp, Hose
4	8544R	Line, Fuel
5	8548R	Line, Fuel
6	STD541425	* Nut, Hex, Keps 1/4-20
7	2751R	Clip, Fuel Line
8	STD551025	* Washer 9/32 x 3/4 x 16 Gauge
9	74760428	Bolt, Hex, Fin. 1/4-20 x 1-3/4
10	19091413	Washer 11/32 x 11/16 x 16 Gauge
11	121249X	Spacer, Split
12	3720R	Spring

KEY PART NO. NO.

DESCRIPTION

13	126450X	Clip, Height Adjustment
14	126115X	Knob, Height Stop
15	122023X	Adjustment, Quadrant Height
16	124346X	Nut, Self-Threading 3/16-18
17	STD532505	* Bolt, Carriage 1/4-20 x 1/2 Grade 5
18	130745	Support Assembly, Dash
19	130722	Brace, Cross
20	18000408	Screw, Self-Tapping 1/4-20 x 1/2
21	19090816	Washer 9/32 x 1/2 x 16 Gauge

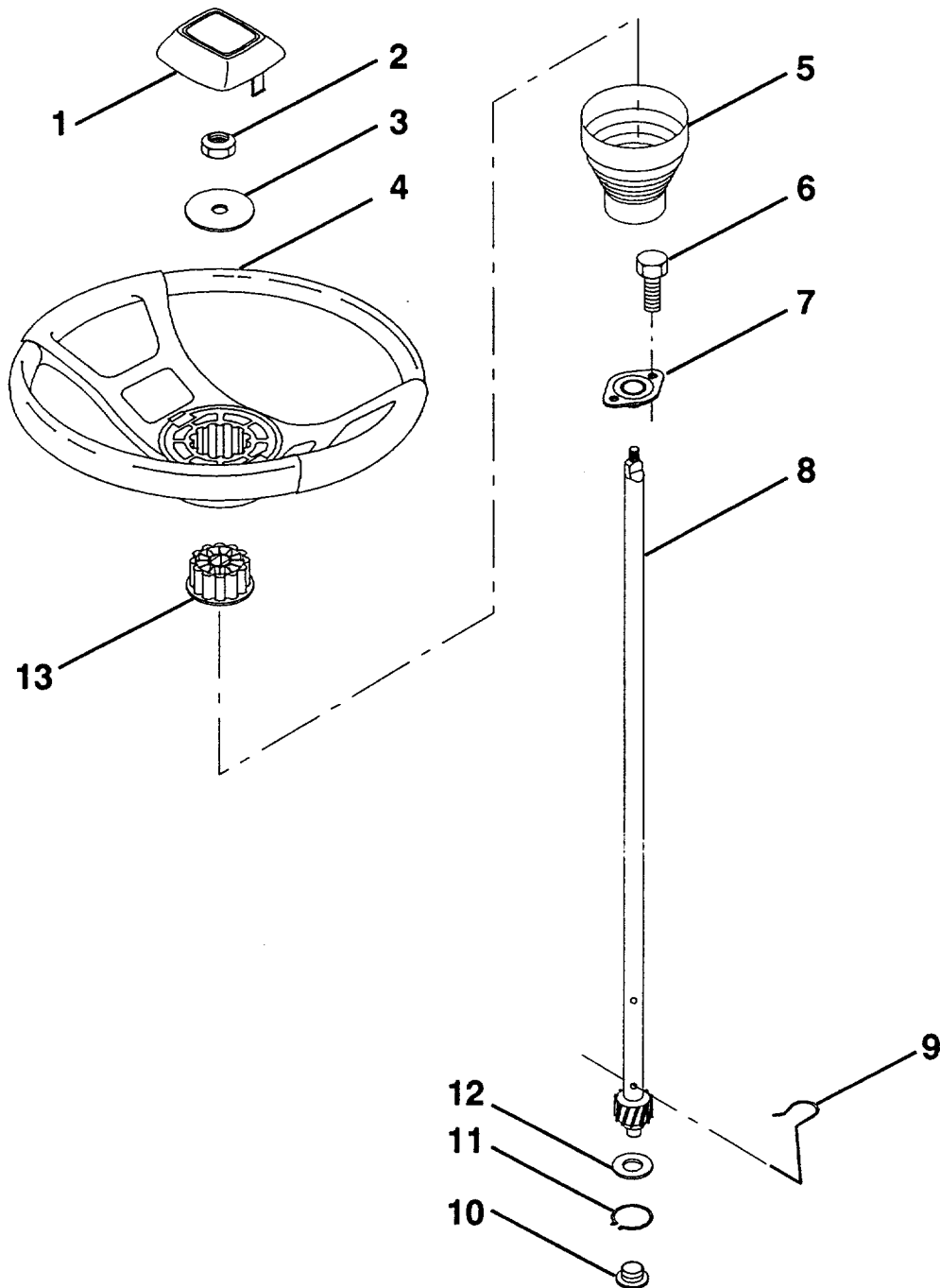
* STANDARD HARDWARE - - PURCHASE LOCALLY
 NOTE: All component dimensions given in U.S. inches
 1 inch = 25.4 mm

HARDWARE SHOWN LARGER FOR EASIER IDENTIFICATION

REPAIR PARTS

12 HP 36" LAWN RIDER - - MODEL NUMBER 917.257462

STEERING WHEEL



KEY PART NO. NO.

DESCRIPTION

1	100710L	Insert, Steering Wheel
2	STD541537	* Locknut 3/8-24 UNF
3	19133808	Washer 13/32 x 2-3/8 x 8 Gauge
4	100713N	Wheel, Steering
5	121897X	Sleeve, Steering
6	STD611005	* Screw, Hex Self-Tapping #10-16 x 1/2
7	102803X	Bushing, Steering
8	123651X	Shaft, Steering

KEY PART NO. NO.

DESCRIPTION

9	124210X	Clip, Steering
10	123438X	Bushing, Lower, Steering
11	12000045	Ring, Retaining
12	STD551062	* Washer 21/32 x 1 x 16 Gauge
13	104820X	Adaptor, Steering Wheel

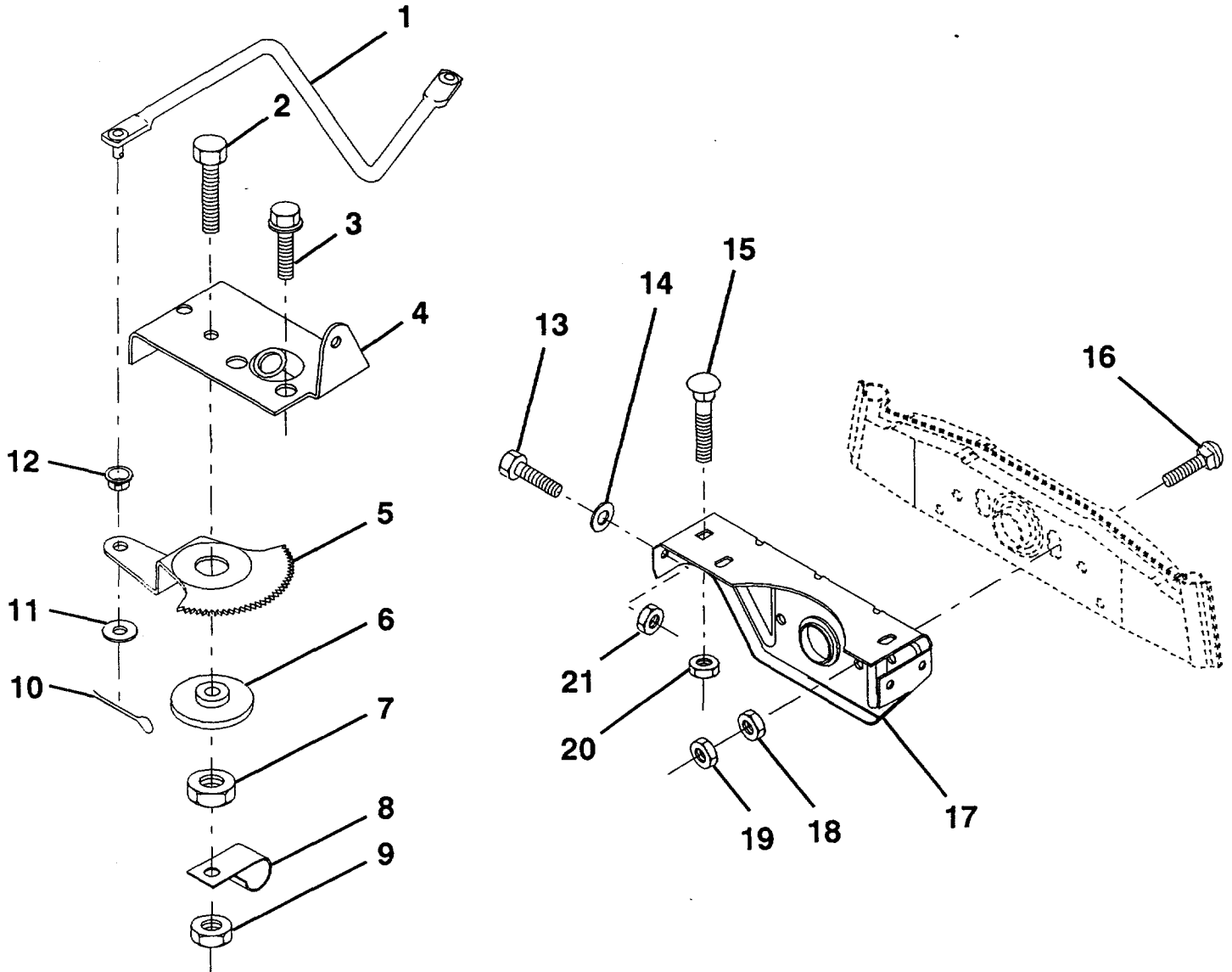
* STANDARD HARDWARE - - PURCHASE LOCALLY
NOTE: All component dimensions given in U.S. inches
1 inch = 25.4 mm

HARDWARE SHOWN LARGER FOR EASIER IDENTIFICATION

REPAIR PARTS

12 HP 36" LAWN RIDER - - MODEL NUMBER 917.257462

SECTOR GEAR / AXLE SUPPORT



KEY PART NO. NO.

DESCRIPTION

1	124093X	Link, Drag
2	74780828	Bolt, Hex, Fin. 1/2-13 x 1-3/4
3	17490508	Screw, Hex, Thd. Roll. 5/16-18 x 1/2
4	121925X	Plate, Steering Support
5	121926X	Gear, Sector
6	121927X	Bushing
7	73030800	Nut, Heavy, Hex, Top Lock 1/2-13 UNC
8	126472X	Clip, Wire
9	73680800	Nut, Crownlock 1/2-13
10	STD561210	* Pin, Cotter 1/8 x 3/4
11	STD551037	* Washer 13/32 x 13/16 x 16 Gauge

KEY PART NO. NO.

DESCRIPTION

12	126847X	Bushing
13	STD523107	* Bolt, Hex 5/16-18 UNC x 3/4
14	19111416	Washer 11/32 x 7/8 x 16 Gauge
15	STD533707	* Bolt, Carriage 3/8-16 UNC x 3/4
16	72140622	Bolt, Carriage 3/8-16 x 2-3/4
17	121912X	Support, Front Axle
18	STD541037	* Nut, Hex, Fin. 3/8-16 UNC
19	73930600	Nut, Centerlock 3/8-16 UNC
20	STD541437	* Nut, Crownlock 3/8-16 UNC
21	STD541431	* Nut, Crownlock 5/16-18

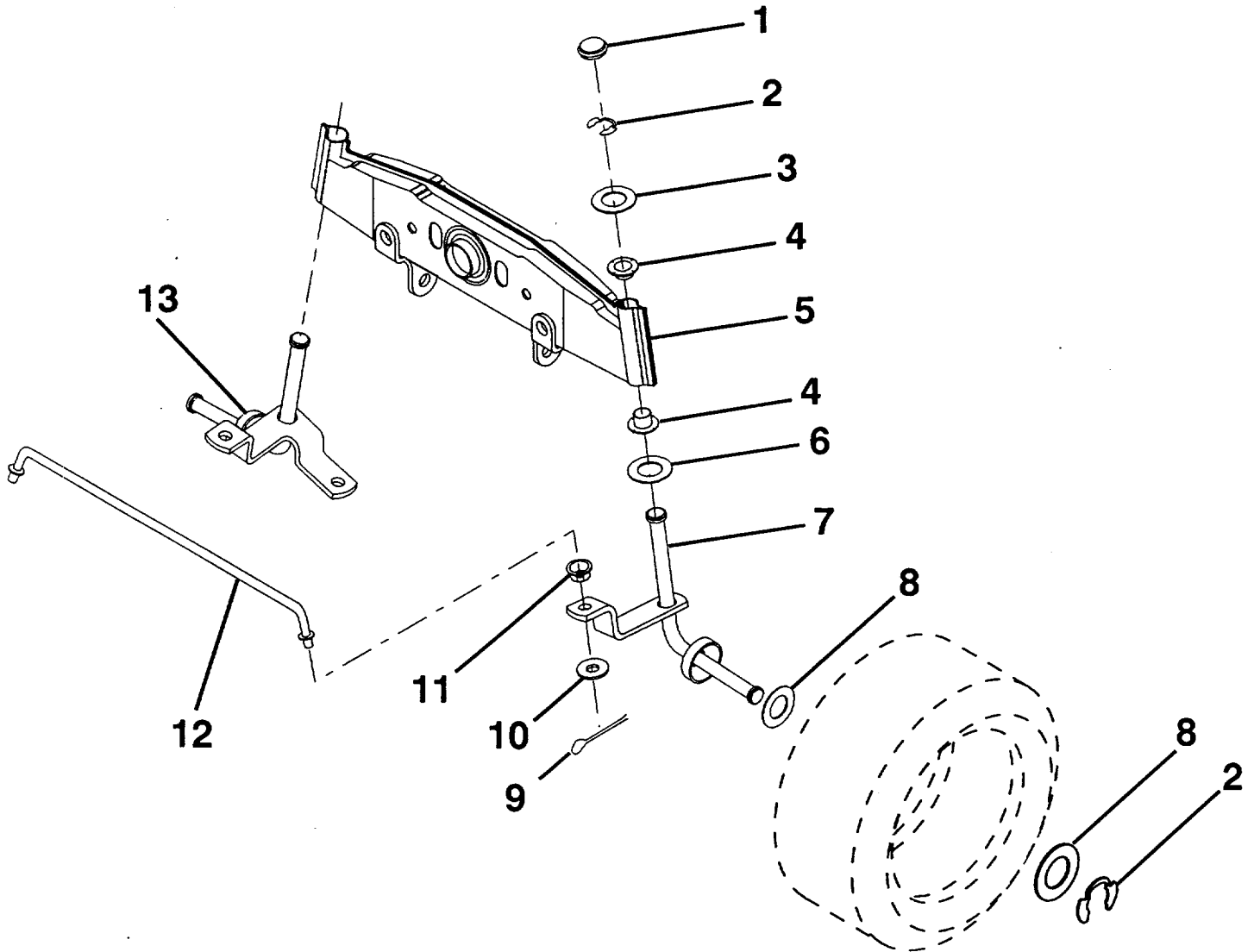
* STANDARD HARDWARE - - PURCHASE LOCALLY
NOTE: All component dimensions given in U.S. inches
1 inch = 25.4 mm

HARDWARE SHOWN LARGER FOR EASIER IDENTIFICATION

REPAIR PARTS

12 HP 36" LAWN RIDER - - MODEL NUMBER 917.257462

FRONT AXLE



KEY PART NO. NO.

DESCRIPTION

1	121232X	Cap, Spindle
2	12000029	Ring, Klip
3	121748X	Washer 25/32 x 1-5/8 x 16 Gauge
4	121922X	Nyliner
5	128543	Axle, Front
6	6266H	Bearing, Thrust
7	121919X	Spindle Assembly, RH
8	121749X	Washer 25/32 x 1-1/4 x 16 Gauge
9	STD561210	* Pin, Cotter 1/8 x 3/4

KEY PART NO. NO.

DESCRIPTION

10	STD551037	* Washer 13/32 x 13/16 x 16 Gauge
11	126847X	Bushing
12	121924X	Rod, Tie
13	121916X	Spindle Assembly, LH

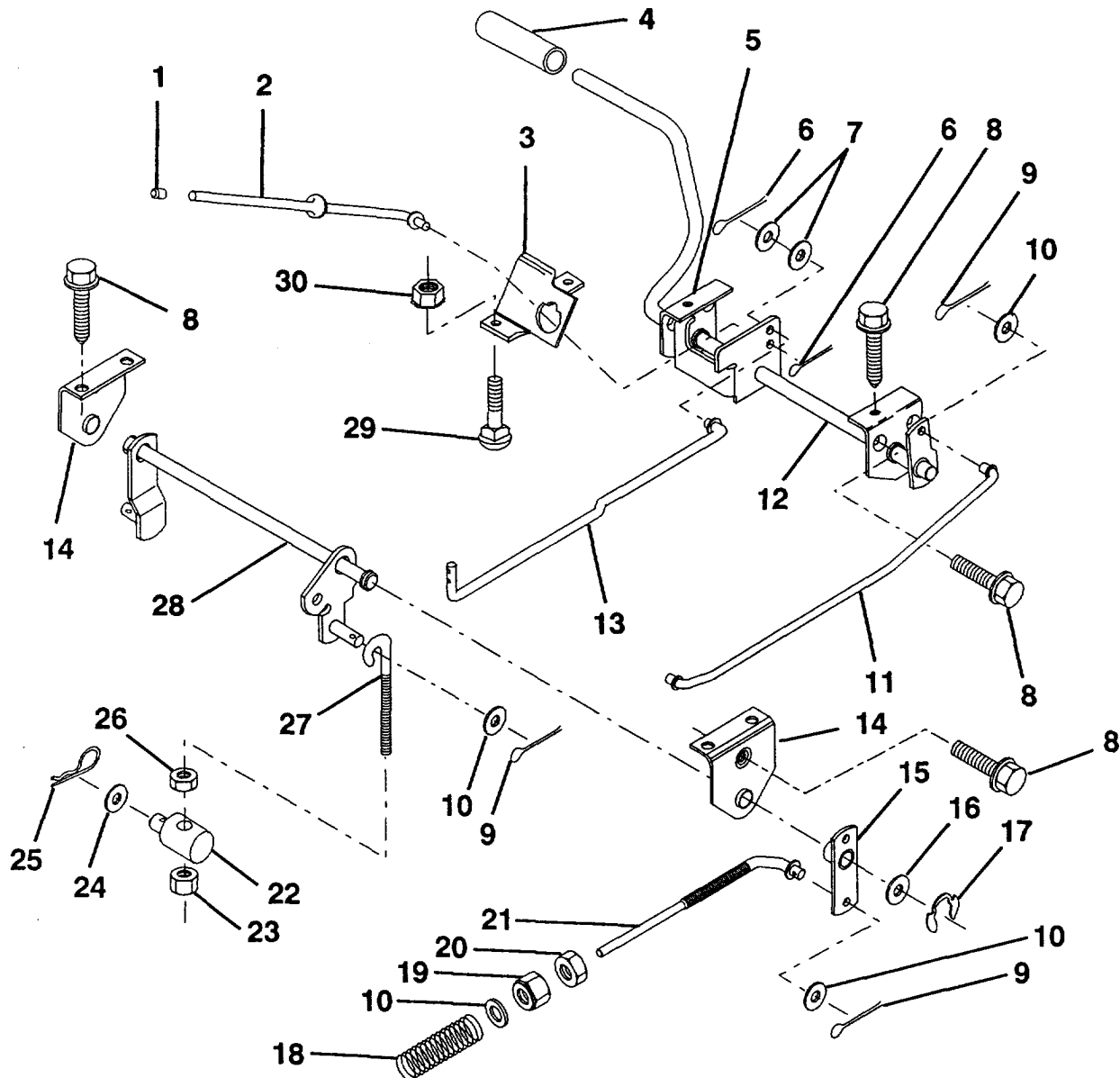
* STANDARD HARDWARE - - PURCHASE LOCALLY
 NOTE: All component dimensions given in U.S. inches
 1 inch = 25.4 mm

HARDWARE SHOWN LARGER FOR EASIER IDENTIFICATION

REPAIR PARTS

12 HP 36" LAWN RIDER - - MODEL NUMBER 917.257462

BRAKE / REAR MOWER LIFT ASSEMBLY



KEY PART NO. NO.

DESCRIPTION

1	124236X	Cap, Plunger
2	123436X	Rod, Parking Brake
3	123437X	Bracket, Parking Brake
4	8883R	Cover, Pedal
5	122504X	Bracket, Clutch/Brake Pedal, LH
6	STD560907	* Pin, Cotter 3/32 x 3/4
7	STD551037	* Washer 13/32 x 5/8 x 16 Gauge
8	17490508	Screw, Hex, Thd. Roll. 5/16-18 x 1/2
9	STD561210	* Pin, Cotter 1/8 x 3/4
10	STD551037	* Washer 13/32 x 13/16 x 16 Gauge
11	123543X	Rod, Front Brake
12	129567	Assembly, Clutch/Brake Pedal
13	123394X	Rod, Clutch
14	121978X	Bracket, Lift, Shaft
15	123641X	Assembly, Brake, Pivot, Arm
16	19251816	Washer 25/32 x 1-1/8 x 16 Gauge

KEY PART NO. NO.

DESCRIPTION

17	12000034	Ring, Klip
18	106888X	Spring, Brake Rod
19	STD541237	* Nut, Hex, Jam 3/8-16 UNC
20	73680600	Nut, Crownlock 3/8-16 UNC
21	131460	Rod, Rear Brake
22	127378	Trunnion, Lift
23	73680600	Nut, Crownlock 3/8-16 UNC
24	19132012	Washer 13/32 x 1-1/4 x 12 Gauge
25	4921H	Spring, Retainer
26	STD541437	* Nut, Centerlock 3/8-16 UNC
27	127369	Link, Threaded
28	127358	Assembly, Rear Mower Lift
29	STD533107	* Bolt, Carriage 5/16-18 UNC x 3/4
30	STD541431	* Nut, Keps 5/16-18 UNC

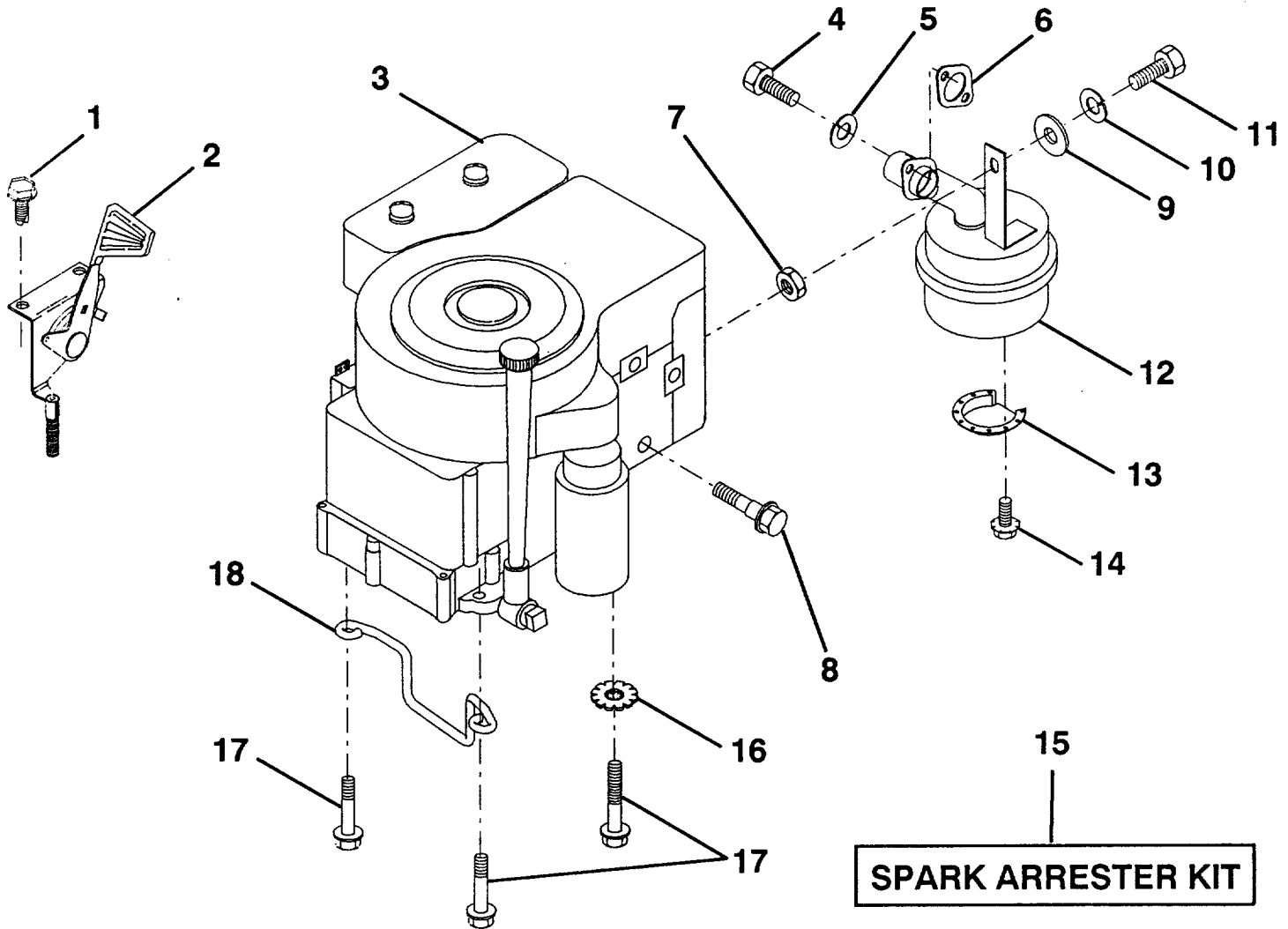
* STANDARD HARDWARE - - PURCHASE LOCALLY
NOTE: All component dimensions given in U.S. inches
 1 inch = 25.4 mm

HARDWARE SHOWN LARGER FOR EASIER IDENTIFICATION

REPAIR PARTS

12 HP 36" LAWN RIDER - - MODEL NUMBER 917.257462

ENGINE / THROTTLE



KEY PART NO. NO.

DESCRIPTION

1	17720408	Screw, Hex, Thread Cutting 1/4-20 x 1/2
2	132758	Control, Throttle
3	131951	Engine, Briggs & Stratton, 12 HP, Model 283707, Type 0217-01
4	71070512	Screw, Hex Head Cap 5/16-18 x 3/4
5	STD551131	*Washer, Lock, Heavy Helical Spring 5/16
6	125593X	Gasket, Exhaust
7	STD541031	*Nut, Hex, Fin. 5/16-18
8	121094X	Bolt, Shoulder
9	STD551031	Washer 5/16 x 3/4 x 16 Gauge
10	STD551125	*Washer, Lock, Heavy Helical Spring 1/4

KEY PART NO. NO.

DESCRIPTION

11	STD522507	*Bolt, Hex, Fin. 1/4-20 UNC x 3/4
12	124097X	Muffler
13	101326L	Deflector, Muffler
14	17030808	Screw, Hex, Spiderlock 8 x 1/2 ABTPS
15	121851X	Kit, Spark Arrester (Optional)
16	STD551237	*Washer, Lock, External Tooth 3/8
17	17490624	Screw, Hex Washer Head, Thd. Roll. 3/8-16 x 1-1/2
18	126636X	Keeper, Ground Drive Belt

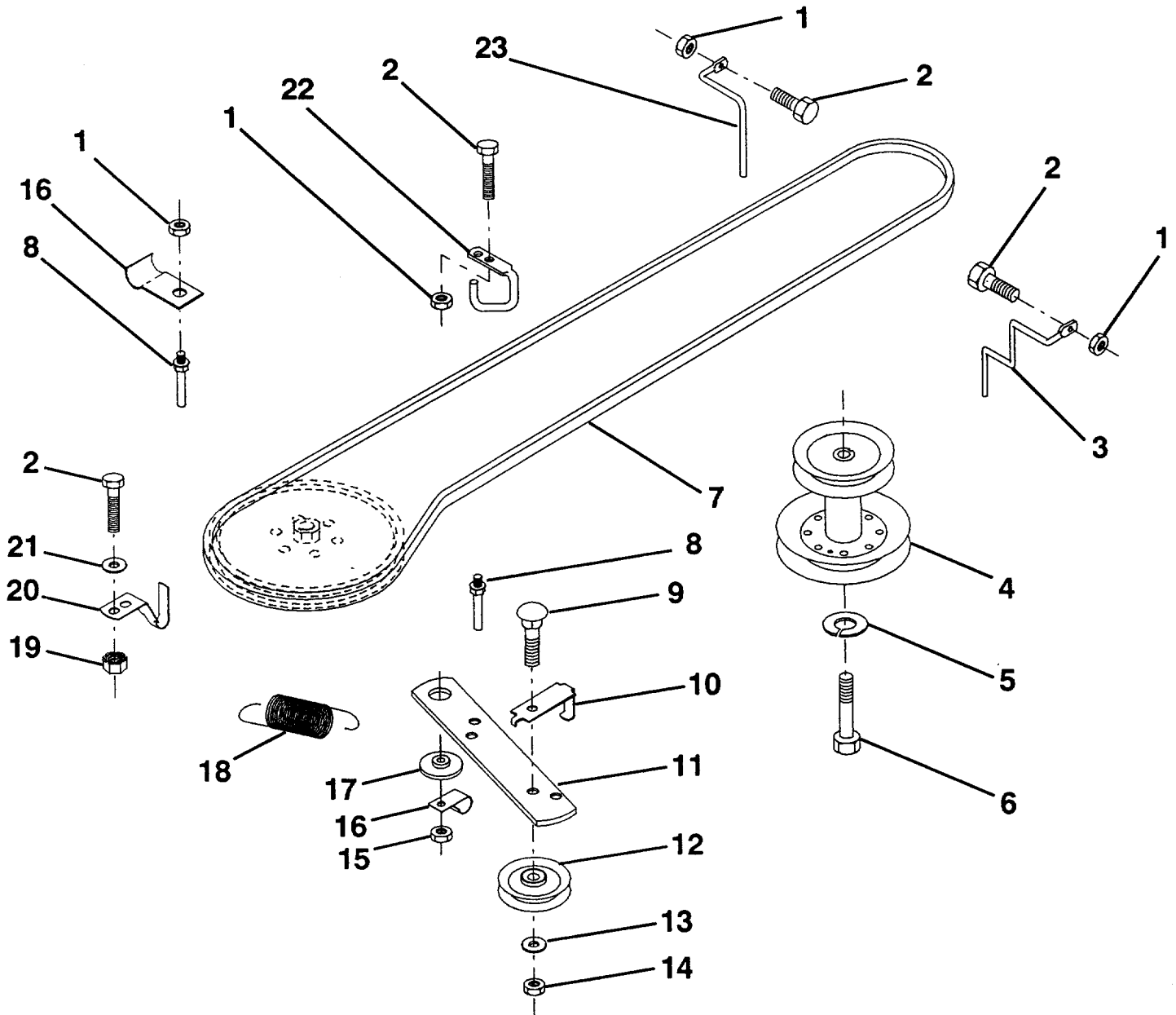
* STANDARD HARDWARE - - PURCHASE LOCALLY
NOTE: All component dimensions given in U.S. inches
1 inch = 25.4 mm

HARDWARE SHOWN LARGER FOR EASIER IDENTIFICATION

REPAIR PARTS

12 HP 36" LAWN RIDER - - MODEL NUMBER 917.257462

GROUND DRIVE



KEY PART NO. NO.

DESCRIPTION

1	STD541431	* Nut, Crownlock 5/16-18
2	STD523107	* Bolt, Hex 5/16-18 UNC x 3/4
3	131205	Keeper, Mower Drive Belt, Engine, RH
4	131004	Pulley, Engine
5	STD551143	* Washer, Lock 7/16
6	71130720	Bolt, Hex, Fin 7/16-20 UNF x 1-1/4
7	124525X	Traction, V-Belt Drive
8	123405X	Keeper, T/A Ground Drive Belt
9	STD523715	* Bolt, Hex 3/8-16 UNC x 1-1/2
10	123396X	Keeper, Ground Drive Belt, Idler
11	123395X	Arm, Ground Drive Clutch
12	4859J	Idler, Flat
13	STD551037	* Washer 13/32 x 13/16 x 16 Gauge

KEY PART NO. NO.

DESCRIPTION

14	73930600	Nut, Centerlock 3/8-16 UNC
15	STD541437	* Nut, Crownlock 3/8-16 UNC
16	126471X	Clip, Insulated
17	122052X	Spacer, Retainer
18	131459	Spring, Extension
19	STD541431	* Nut, Keps 5/16-18 UNC
20	123891X	Keeper, T/A Ground Drive Belt
21	STD551025	* Washer 11/32 x 5/8 x 16 Gauge
22	123404X	Keeper, Frame, Ground Drive Belt
23	131204	Keeper, Engine, Mower Drive Belt, LH

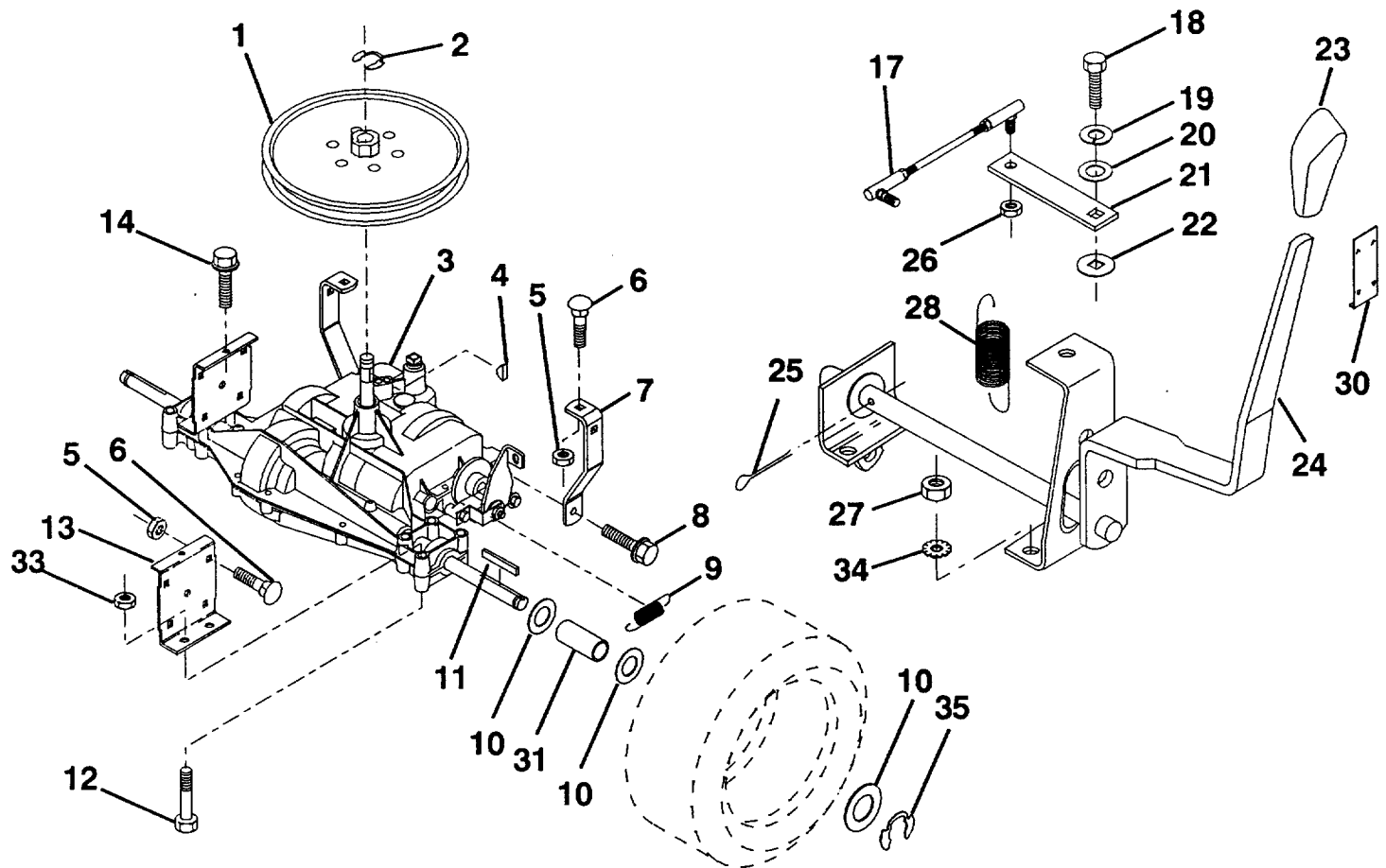
* STANDARD HARDWARE - - PURCHASE LOCALLY
NOTE: All component dimensions given in U.S. inches
1 inch = 25.4 mm

HARDWARE SHOWN LARGER FOR EASIER IDENTIFICATION

REPAIR PARTS

12 HP 36" LAWN RIDER - - MODEL NUMBER 917.257462

TRANSAXLE



KEY PART NO. NO.

DESCRIPTION

1	123385X	Pulley
2	12000028	Ring, Retainer
3	123655X	Transaxle, Foote/Dana, 6 Speed, Model Number 143.4360-18
4	STD580025	* Key, Woodruff #9
5	STD541431	* Nut, Crownlock 5/16-18
6	STD533107	* Bolt, Carriage 5/16-18 UNC x 3/4
7	123378X	Strap, Torque
8	17490512	Screw, Hex, Thd. Roll. 5/16-18 x 3/4
9	110422X	Spring, Brake
10	121749X	Washer 25/32 x 1-1/4 x 16 Gauge
11	123583X	Key, Square
12	STD523727	* Bolt, Hex 3/8-16 x 2-3/4
13	123377X	Bracket, Transaxle
14	17490508	Screw 5/16-18 x 1/2
17	123632X	Link, Shift
18	71040412	Bolt, Hex, Fin. 1/4-28 x 3/4 Gr. 8

KEY PART NO. NO.

DESCRIPTION

19	STD551125	* Washer, Lock 1/4
20	19091210	Washer 9/32 x 3/4 x 10 Gauge
21	123539X	Arm, Shift
22	105701X	Washer, Shift Plate
23	122011X	Knob, Golf Club
24	128202	Handle, Shift
25	STD561210	* Pin, Cotter 1/8 x 1
26	STD541531	* Nut, Hex, Nylon 5/16-24
27	STD541431	* Nut, Keps 5/16-18
28	128085	Spring, Extension
30	123692X	Retainer, Knob
31	123409X	Spacer
33	STD541437	* Nut, Crownlock 3/8-16
34	11050500	Washer, Lock, External Tooth 5/16
35	STD581075	* E-Ring

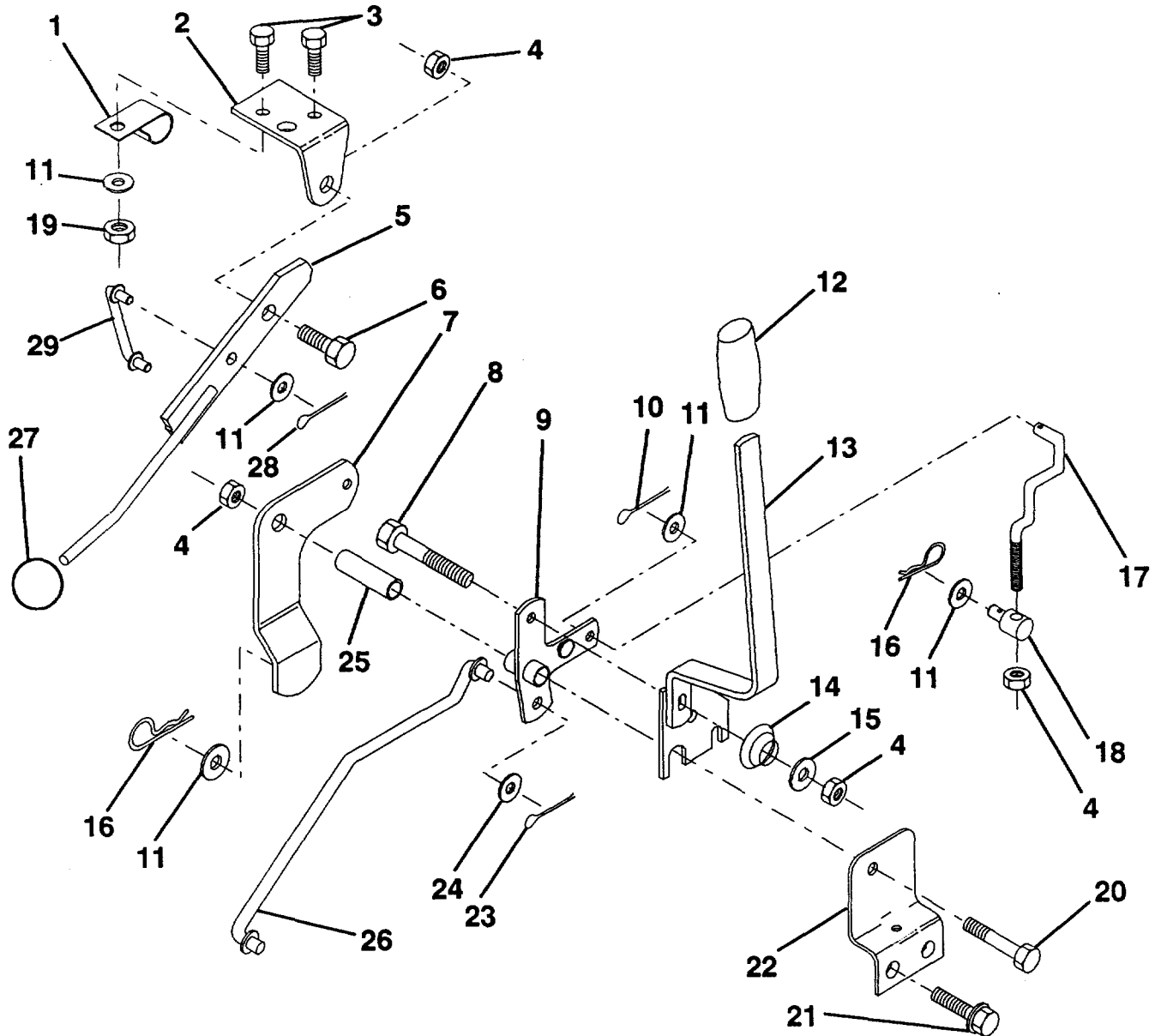
* STANDARD HARDWARE - - PURCHASE LOCALLY
NOTE: All component dimensions given in U.S. inches
1 inch = 25.4 mm

HARDWARE SHOWN LARGER FOR EASIER IDENTIFICATION

REPAIR PARTS

12 HP 36" LAWN RIDER - - MODEL NUMBER 917.257462

MOWER LIFT LEVER



KEY PART NO. NO.

DESCRIPTION

1	126470X	Clip, Fuel Line
2	122018X	Bracket, Mower Clutch
3	74780408	Bolt, Hex, Fin 1/4-20 UNC x 1/2 Grade 5
4	STD541437	*Nut, Crownlock 3/8-16 UNC
5	123417X	Assembly, Clutch Lever
6	106451X	Bolt, Shoulder
7	123491X	Assembly, Mower Clutch Arm
8	STD523722	*Bolt, Hex 3/8-16 UNC x 2-1/4
9	121930X	Assembly, Bellcrank, Lift
10	76020412	Pin, Cotter 1/8 x 3/4
11	STD551037	*Washer 13/32 x 13/16 x 16 Gauge
12	122027X	Grip, Handle
13	127028	Assembly, Lift Handle
14	123496X	Spring, Compression
15	19131212	Washer 13/32 x 3/4 x 12 Gauge
16	4921H	Retainer, Spring

KEY PART NO. NO.

DESCRIPTION

17	127359	Link, Front Lift
18	133205	Trunnion, Threaded 3/8-16
19	73680400	Nut, Crownlock 1/4-20
20	STD523727	*Bolt, Hex, Fin. 3/8-16 UNC x 2-3/4
21	17490508	Screw, Hex, Thd. Roll. 5/16-18 x 1/2
22	121929X	Bracket, Mower Height
23	STD561210	*Pin, Cotter 1/8 x 1
24	STD551050	*Washer 17/32 x 1 x 16 Gauge
25	121933X	Tube, Spacer
26	121934X	Rod, Mower Lift
27	106932X	Knob
28	STD560907	*Pin, Cotter 3/32 x 3/4
29	123671X	Link, Mower Clutch

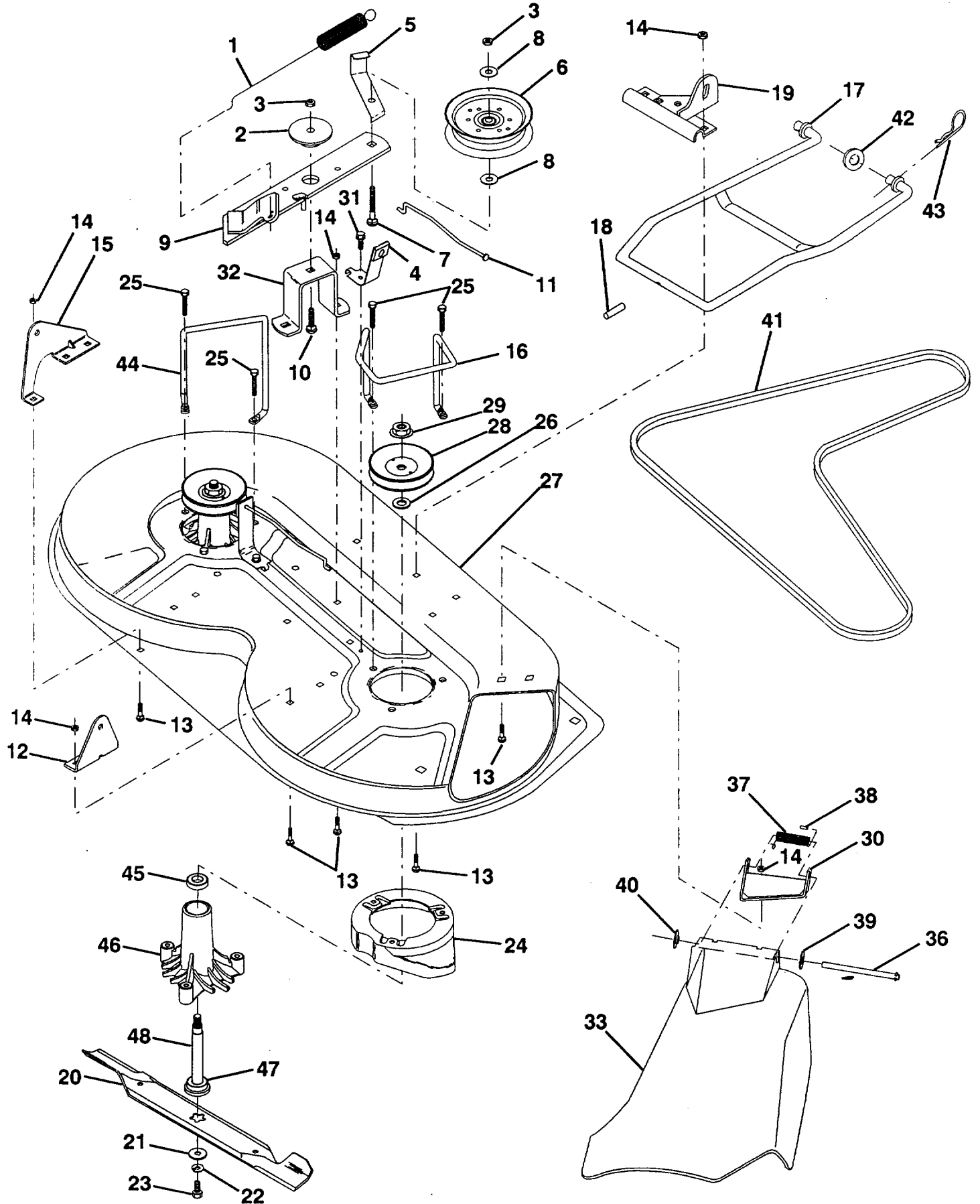
* STANDARD HARDWARE - - PURCHASE LOCALLY
NOTE: All component dimensions given in U.S. inches
1 inch = 25.4 mm

HARDWARE SHOWN LARGER FOR EASIER IDENTIFICATION

REPAIR PARTS

12 HP 36" LAWN RIDER - - MODEL NUMBER 917.257462

MOWER DECK



REPAIR PARTS

12 HP 36" LAWN RIDER - - MODEL NUMBER 917.257462

MOWER DECK

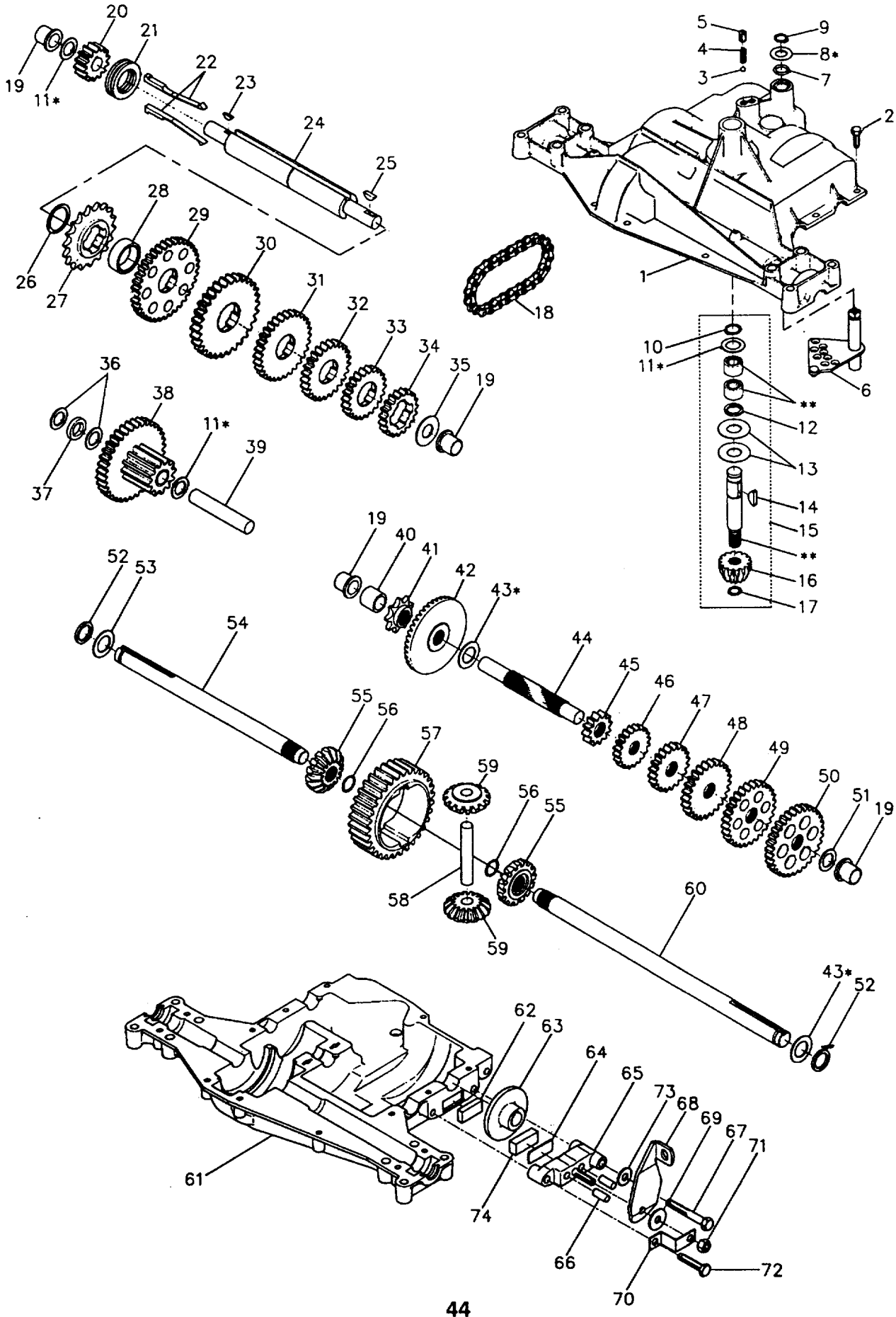
KEY PART NO. NO.	DESCRIPTION	KEY PART NO. NO.	DESCRIPTION
1 127743	Spring, Mower Clutch	26 129963	Washer .150 Thick
2 122052X	Spacer, Retainer	27 129983	Deck Assembly
3 STD541437	* Nut, Crownlock 3/8-16	28 129207	Pulley, Mandrel
4 130840	Brake Assembly	29 73050900	Nut, Flangelock 9/16
5 131251	Guide, Belt Idler	30 126361X	Bracket Assembly, Deflector
6 121316X	Pulley, Flat Idler	31 17490508	Screw, Hex Washer Head, Thd., Roll. 5/16-18 x 1/2
7 STD533720	* Bolt, Carriage 3/8-16 x 1-3/4 Grade 5	32 122051X	Arm, Support Idler, Mower
8 19131410	Washer 13/32 x 7/8 x 10 Gauge	33 131560	Deflector
9 127744	Arm Assembly, Idler, Mower	36 121980X	Rod, Hinge
10 STD533710	* Bolt, Carriage 3/8-16 x 1	37 123713X	Spring, Torsion Deflector
11 130841	Rod, Brake	38 105304X	Cap, Sleeve
12 127356	Bracket, Lift, Rear, R.H.	39 19111016	Washer 11/32 x 5/8 x 16 Gauge
13 STD533106	* Bolt, Carriage 5/16-18 x 5/8	40 110452X	Pushnut
14 STD541431	* Nut, Crownlock 5/16-18	41 131264	V-Belt
15 127357	Bracket, Lift, Rear, L.H.	42 STD551050	* Washer 17/32 x 1 x 16 Gauge
16 130837	Keeper, Belt, R.H.	43 STD624008	* Retainer, Spring
17 128508	Link Assembly, Mower Stabilizer	44 130836	Keeper, L.H.
18 128511	Pin, Drive	45 110485X	Bearing
19 127380	Bracket Assembly, Front	46 128774	Housing, Mandrel
20 127841	Blade	47 129895	Bearing
21 129962	Washer, Hard	48 133172	Shaft & Bearing Assembly, Mandrel
22 STD551137	* Washer, Lock 3/8	-- 130794	Mandrel Assembly (Includes Key Numbers 21-23, 26, 29, and 45-48)
23 850857	Bolt 3/8-24 x 1-1/4 Grade 8		
24 128961	Stripper		
25 78158	Bolt 5/16-18 x 1-1/4		

* STANDARD HARDWARE - - PURCHASE LOCALLY
NOTE: All component dimensions given in U.S. inches
1 inch = 25.4 mm

REPAIR PARTS

12 HP 36" LAWN RIDER - - MODEL NUMBER 917.257462

FOOTE/DANA TRANSAXLE - MODEL NUMBER 143.4360-18



REPAIR PARTS

12 HP 36" LAWN RIDER - - MODEL NUMBER 917.257462

FOOTE/DANA TRANSAXLE - MODEL NUMBER 143.4360-18

KEY PART NO. NO.	DESCRIPTION	KEY PART NO. NO.	DESCRIPTION
1	120458X Housing, Upper	41	105928X Sprocket, 9 Teeth
2	2274J Screw, Tapping, Large 1/4-20 x .734	42	110084X Gear, Bevel, 42 Teeth
3	68003 Ball, Detent	43	108983X * Washer, Plain .758 x 1.12 x .010
4	105904X Spring, Detent		105930X * Washer, Plain .758 x 1.12 x .015
5	105905X Screw, Set		105931X * Washer, Plain .758 x 1.12 x .020
6	120460X Shifter Assembly		105932X * Washer, Plain .758 x 1.12 x .025
7	120461X O-Ring		3417J * Washer, Plain .758 x 1.25 x .020
8	120462X * Washer, Plain .505 x .942 x .006		106097X * Washer, Plain .758 x 1.25 x .025
	120463X * Washer, Plain .505 x .942 x .010		2264J * Washer, Plain .758 x 1.25 x .031
	120464X * Washer, Plain .505 x .942 x .015		106098X * Washer, Plain .758 x 1.25 x .035
	120465X * Washer, Plain .505 x .942 x .020		2265J * Washer, Plain .758 x 1.25 x .040
	120466X * Washer, Plain .505 x .942 x .026		106586X * Washer, Plain .758 x 1.25 x .045
	83818 * Washer, Plain .505 x .942 x .030		106587X * Washer, Plain .758 x 1.25 x .050
	120467X * Washer, Plain .505 x .942 x .040		106588X * Washer, Plain .758 x 1.25 x .055
9	2286J Ring, Retaining		2263J * Washer, Plain .758 x 1.25 x .062
10	2267J Ring, Retaining	44	120473X Shaft, Drive
11	3413J * Washer, Plain .632 x 1.00 x .010	45	105933X Gear, Spur, 12 Teeth
	2233J * Washer, Plain .632 x 1.00 x .020	46	106151X Gear, Spur, 15 Teeth
	2232J * Washer, Plain .632 x 1.00 x .026	47	120407X Gear, Spur, 20 Teeth
	2231J * Washer, Plain .632 x 1.00 x .031	48	106589X Gear, Spur, 25 Teeth
	2230J * Washer, Plain .632 x 1.00 x .036	49	120408X Gear, Spur, 28 Teeth
	2229J * Washer, Plain .632 x 1.00 x .041	50	105937X Gear, Spur, 31 Teeth
	2228J * Washer, Plain .632 x 1.00 x .046	51	2226J Washer, Plain .632 x 1.00 x .060
	2227J * Washer, Plain .632 x 1.00 x .050	52	2272J Seal, Felt
	2226J * Washer, Plain .632 x 1.00 x .060	53	2263J Washer, Plain .758 x 1.25 x .062
	105906X * Washer, Plain .632 x 1.00 x .082	54	123907X Axle, Left Hand
12	6725J O-Ring	55	110081X Gear, Miter, 15 Teeth
13	120415X Washer, Plain .632 x 1.38 x .046	56	105941X Ring, Retaining
14	2257J Key, Woodruff, #9	57	110071X Gear, Spur, 32 Teeth
15	110077X Kit, Input Shaft Assembly	58	120952X Shaft, Cross
16	110078X Pinion, Bevel, 14 Teeth	59	110082X Gear, Miter, 15 Teeth
17	105909X Ring, Retaining	60	123908X Axle, Right Hand
18	105910X Chain, 24 Pitches	61	120476X Housing, Lower
19	105911X Bearing, Flange	62	120961X Puck, Friction
20	108976X Gear, Spur, 14 Teeth	63	7294J Disc, Brake
21	105913X Collar, Clutch	64	108989X Spacer
22	120468X Key, Clutch	65	120953X Jaw, Brake
23	2242J Key, Woodruff, #3	66	120954X Pin, Dowel
24	120469X Shaft, Intermediate	67	120955X Screw, Tapping, Large 5/16-18 x 2.25
25	2244J Key, Woodruff, #61	68	108992X Lever, Actuating
26	105916X Ring, Retaining	69	108996X Washer, Plain .321 x 1.00 x .055
27	120470X Sprocket, 18 Teeth	70	120956X Bracket, Anti-Rotation
28	110070X Spacer	71	73810500 Locknut 5/16-24
29	108977X Gear, Spur, 37 Teeth	72	106596X Screw, Tapping, Large 5/16-18 x 1.44
30	109254X Gear, Spur, 35 Teeth	73	120993X Washer, Plain .343 x .81 x .059
31	120405X Gear, Spur, 30 Teeth	74	120951X Puck, Friction
32	108980X Gear, Spur, 25 Teeth	75	120416X Grease
33	120406X Gear, Spur, 22 Teeth		
34	108455X Gear, Spur, 19 Teeth		
35	105925X Washer, Plain .640 x 1.37 x .061		
36	2232J Washer, Plain .632 x 1.00 x .026		
37	108978X Spacer .630 x 1.00 x .169		
38	110079X Assembly, Gear, Combination of 12 Teeth and 35 Teeth		
39	120471X Shaft, Idler		
40	120472X Spacer .635 x .875 x .755		

* Use In Various Combinations to Maintain Proper Clearances

** Order Key Number 15

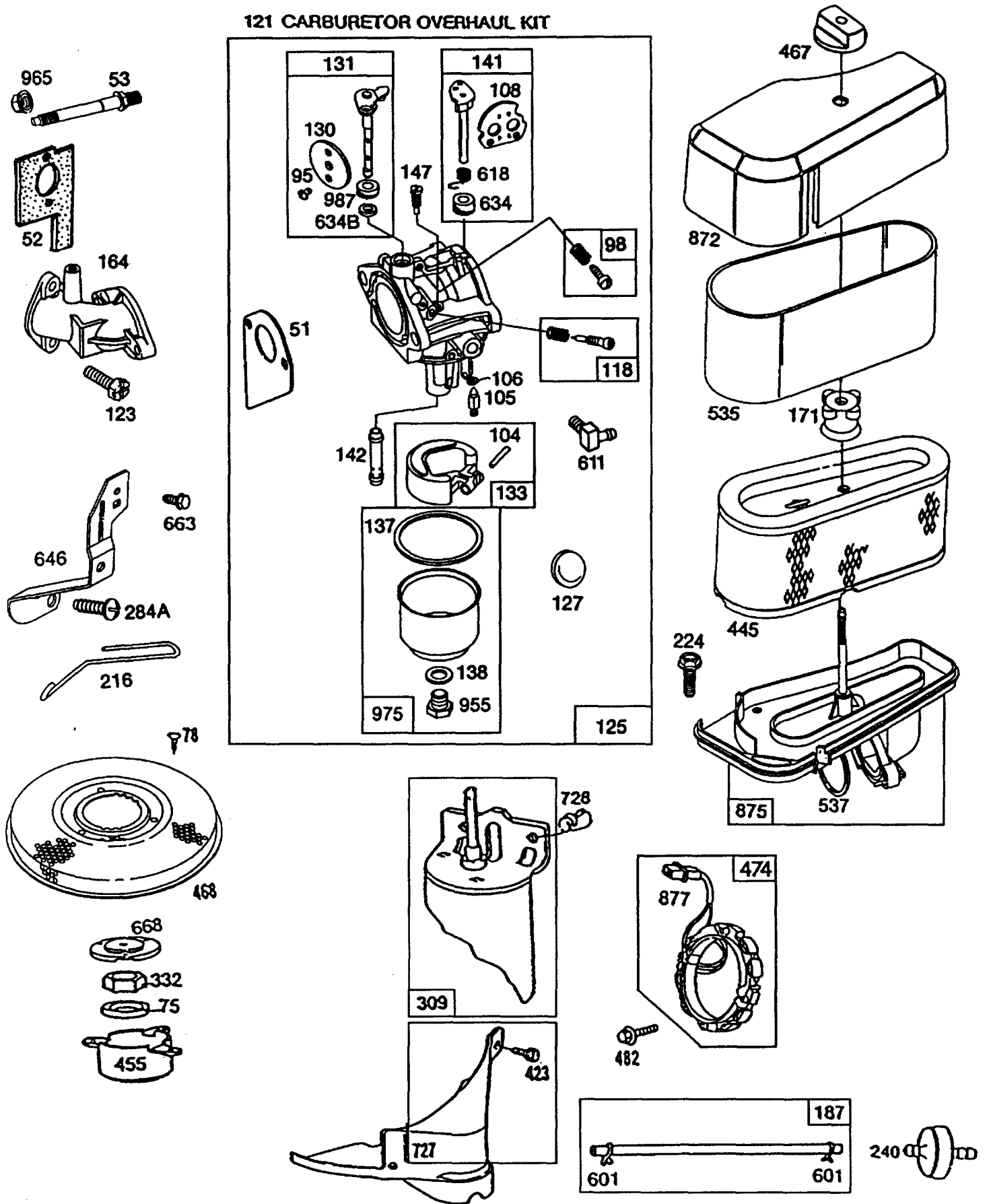
NOTE: All component dimensions given in U.S. inches
1 inch = 25.4 mm

REPAIR PARTS

12 HP 36" LAWN RIDER - - MODEL NUMBER 917.257462

BRIGGS & STRATTON ENGINE - MODEL NUMBER 283707, TYPE NUMBER 0217-01

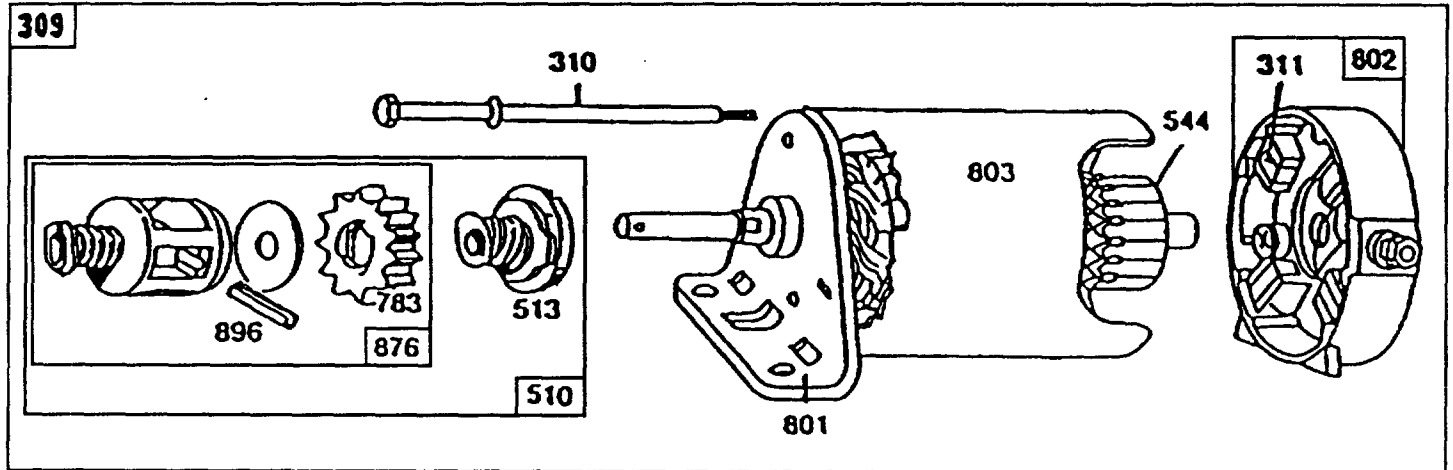
121 CARBURETOR OVERHAUL KIT



REPAIR PARTS

12 HP 36" LAWN RIDER - - MODEL NUMBER 917.257462

BRIGGS & STRATTON ENGINE - MODEL NUMBER 283707, TYPE NUMBER 0217-01



Reference Number	309	310	311	510	544	801	802	803	
Manufacturer	Motor and Drive Ass'y.	Thru Bolt Assembly	Brush Assembly	Drive Assembly	Armature Assembly	Drive End Cap Assembly	End Cap Ass'y. Commutator	Housing Assembly	
Briggs & Stratton	Housing Length								
12V	3-21/32"	394805	94003	395538	490421**	390837	394856	395537*	393825

*Includes Brush Set

**Includes #398003 Clutch Assembly (Ref. No. 513)
 #280104 Gear (Ref. No. 783)
 #490467 Retainer and Pin (Ref. No. 876)
 # 94288 Roll Pin (Ref. No. 896)

REPAIR PARTS

12 HP 36" LAWN RIDER - - MODEL NUMBER 917.257462

BRIGGS & STRATTON ENGINE - MODEL NUMBER 283707, TYPE NUMBER 0217-01

KEY PART NO.	NO.	DESCRIPTION	KEY PART NO.	NO.	DESCRIPTION
1	490450	Cylinder Assembly	53	94637	Stud, Carburetor Mounting
2	399265	Bearing, Cylinder (Requires Special Tools For Installation)	75	224061	Washer, Spring
3	391086	* Seal, Oil	78	93805	Screw, Sems
5	494240	Head, Cylinder	95	94098	** Screw, Throttle
7	271866	* Gasket, Cylinder Head	98	494382	Screw, Idle Speed
8	391406	Breather Assembly	104	231789	** Pin, Float Hinge
9	27803	* Gasket, Valve Cover	105	231790	** Valve Assembly, Inlet Needle
10	93394	Screw, Sems	106	281169	Inlet, Valve Seat
11	280100	Tube, Breather	108	224540	Valve, Choke
12	271916	* Gasket, Crankcase Cover 1/64"	118	494383	** Valve, Needle
	271997	* Gasket, Crankcase Cover .005"	121	494384	Carburetor Overhaul Kit
	271996	* Gasket, Crankcase Cover .009"	123	94616	Screw, Elbow Mounting
13	93723	Screw, Cylinder Head	125	494502	Carburetor Assembly
15	94239	Plug, Oil Drain	127	- - -	** Plug, Welch (Sold in Kit Only)
16	490466	Crankshaft	130	224539	Valve, Throttle
	94196	Key, Timing Gear	131	494379	Shaft and Lever, Throttle
18	494238	Base, Engine	133	494381	Float, Carburetor
20	291675	* Seal, Oil	137	281165	*** Gasket, Float Bowl
22	94305	Screw, Sems, Base Mounting	138	281164	*** Washer, Float Bowl Screw
23	492326	Flywheel and Ring Gear Assembly, Magneto	141	494380	** Shaft and Lever, Choke
24	222698	Key, Flywheel	142	494537	** Nozzle / Jet, Carburetor
25	394661	Piston Assembly, Standard		494499	High Altitude Kit:
	394662	Piston Assembly .010" Oversize	147	231794	231796 Pilot, Jet, High Altitude
	394663	Piston Assembly .020" Oversize	164	213819	281164 Seal, Bowl Screw
	394664	Piston Assembly .030" Oversize	171	281051	** Pilot, Jet
26	391780	Ring Set, Piston, Standard Size	187	393815	Carburetor, Elbow
	392331	Ring Set, Piston, Chrome, Standard	171	281051	Nut, Air Cleaner Mounting
	391781	Ring Set, Piston .010" Oversize	188	93535	Line, Fuel
	391782	Ring Set, Piston .020" Oversize	201	262767	Screw, Sems
	391783	Ring Set, Piston .030" Oversize	209	260871	Link, Governor
27	260924	Lock, Piston Pin	209	260871	Spring, Governor
28	299691	Pin Assembly, Piston, Standard	216	262766	Link, Choke
	391286	Pin Assy., Piston .005" Oversize	219	490815	Oil Slinger, Governor Gear and Bracket Assembly
29	490348	Rod Assembly, Connecting	222	494887	Plate, Governor Control (Choke-A-Matic)
	490469	Rod Assembly, Connecting, .020" Undersize Crankpin Bore	224	94513	Screw, Sems, Air Cleaner
31	222299	Lock, Connecting Rod Screw	225	231058	Crank, Governor
32	92909	Screw, Connecting Rod	227	493935	Lever Assembly, Governor
33	262246	Valve, Exhaust	230	222450	Washer, Governor Crank
34	262247	Valve, Intake	232	262785	Spring, Governor Link
35	65906	Spring, Intake Valve	240	394358	Filter, Fuel
36	26828	Spring, Exhaust Valve			
37	223752	Guard, Flywheel			
40	221596	Retainer, Intake Valve	*		Included in Gasket Set (494241)
41	292260	Rotocoil, Exhaust Valve	**		Included in Carburetor Overhaul Kit (494384)
42	93630	Retainer, Exhaust Valve Rotocoil	***		Included in both Carburetor Overhaul Kit (494384) and Carburetor Gasket Set (494385)
45	262248	Tappet, Valve			
46	212897	Gear, Cam			
51	272465	*** Gasket, Carburetor (Carburetor to Elbow)			
52	270872	* Gasket, Carburetor (Elbow to Cylinder)			

NOTE: All component dimensions given in U.S. inches
1 inch = 25.4 mm

REPAIR PARTS

12 HP 36" LAWN RIDER - - MODEL NUMBER 917.257462

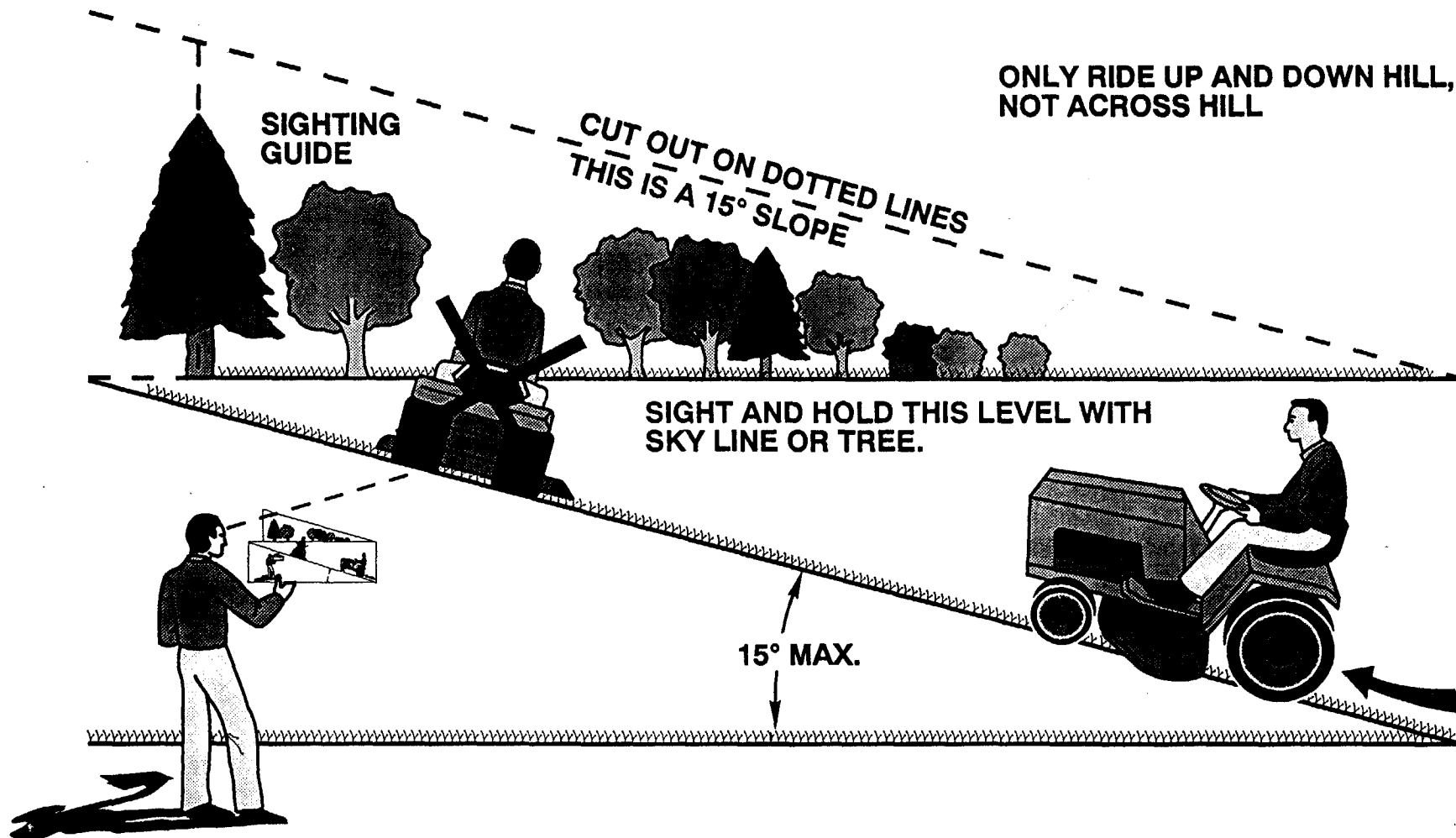
BRIGGS & STRATTON ENGINE - MODEL NUMBER 283707, TYPE NUMBER 0217-01

KEY PART NO. NO.	DESCRIPTION	KEY PART NO. NO.	DESCRIPTION
265 221535	Clamp, Casing	635 66538	Elbow, Spark Plug
284 94419	Screw, Clamp Mounting	646 224546	Brace, Air Cleaner
284A 94326	Screw, Air Cleaner	657 93496	Screw, Sems
304 494269	Housing, Blower	663 94620	Screw, Hex Head
305 94608	Screw, Sems, Blower Housing Mounting	668 280848	Spacer
306 224545	Shield, Cylinder	726 392134	Gear, Ring (Includes Mounting Parts)
307 93949	Screw, Sems, Cylinder Shield Mounting	727 490324	Cover, Starter (Includes Mounting Screws)
308 491490	Cover, Cylinder Head	728 94627	Screw, Sems
309 - - -	Motor, Starting (See Chart on Illustrated Pages for Replacement Parts for Starting Motors)	729 28159	Clip, Lead Wire
332 92284	Nut, Hex	741 262135	Gear, Timing
333 492341	Armature, Magneto	757 212359	Link, Counterweight
334 93381	Screw, Sems, Armature Mounting	758 399891	Counterweight Assembly
337 802592	Plug, Spark	759 298909	Pin, Counterweight
346 93705	Screw, Hex Head	761 93875	Screw, Counterweight
356 494328	Wire, Ground	842 270920	Seal, Oil Filler Cap
358 494241	Gasket Set	847 490474	Fill Group, Oil
363 19203	Puller, Flywheel	851 221798	Terminal, Ignition Cable
383 89838	Wrench, Spark Plug	869 261463	Seat, Intake Valve, Standard
422 223721	Clamp, Oil Filler Tube	870 213316	Seat, Exhaust Valve, Standard
423 94073	Screw, Sems	871 261961	Guide, Exhaust Valve
445 493909	Cartridge, Air Cleaner	872 281104	Cover, Air Cleaner
455 222561	Cup, Screen Mounting	875 494237	Body, Air Cleaner
467 493903	Knob, Air Cleaner	877 393456	Diode and Connector Assembly, Dual Circuit
468 222562	Screen, Flush Rotating	955 94642	** Screw, Fuel Bowl
474 393474	Stator, Alternator	965 94108	Locknut, Air Cleaner Mounting
482 93621	Screw, Sems	975 494378	Bowl Assembly, Carburetor
523 490327	Cap and Dipstick, Oil Filler	977 494385	Carburetor Gasket Kit
524 68838	Seal, Filler Tube	987 281166	** Seal, Throttle Shaft
525 280741	Tube, Oil Filler	1005 280687	Fan, Flywheel
535 272403	Element, Air Cleaner	1006 224413	Retainer, Fan
537 281106	* O-Ring, Air Cleaner	1020 262243	Eccentric
552 231597	Bushing, Governor Crank	1021 94160	Pin, Eccentric
562 92613	Bolt, Governor Lever		
592 231082	Nut, Hex #10-24		
601 93053	Clamp, Fuel Pipe		
611 494451	Fuel Inlet Tube		
614 93306	Cotter, Hair Pin		
615 93307	Retainer, E-Ring		
618 262803	Spring, Choke Return		
634 281168	** Seal, Choke Shaft		
634A 491323	* Seal, Governor		
634B 281167	Washer, Throttle Shaft		

* Included in Gasket Set (494241)
 ** Included in Carburetor Overhaul Kit (494384)
 *** Included in both Carburetor Overhaul Kit (494384) and Carburetor Gasket Set (494385)

NOTE: All component dimensions given in U.S. inches
 1 inch = 25.4 mm

SUGGESTED GUIDE FOR SIGHTING SLOPES FOR SAFE OPERATION



Operate your Tractor up and down the face of slopes (not greater than 15°), never across the face. Make turns gradually to prevent tipping or loss of control. Exercise extreme caution when changing direction on slopes.

SEARS
OWNER'S
MANUAL

MODEL NO.
917.257462

**HOW TO ORDER
REPAIR PARTS**

CRAFTSMAN[®]

**12.0 HP
ELECTRIC START
36" MOWER
6 SPEED
LAWN RIDER**

Each tractor has its own model number. Each engine has its own model number.

The Model Number for your tractor will be found on the model plate located under the seat.

The model number for your engine will be found on the blower housing of the engine.

All parts listed herein may be ordered from any Sears, Roebuck and Co. Service Center and most Retail Stores.

WHEN ORDERING REPAIR PARTS, ALWAYS GIVE THE FOLLOWING INFORMATION:

- **PRODUCT - LAWN RIDER**
- **MODEL NUMBER - 917.257462**
- **ENGINE MODEL NUMBER - 283707 TYPE NUMBER 0217-01**
- **PART NUMBER**
- **PART DESCRIPTION**

Your Sears merchandise has added value when you consider Sears has service units nationwide staffed with Sears trained technicians... professional technicians specifically trained to insure that we meet our pledge to you, we service what we sell.

Sears, Roebuck and Co., Chicago, IL 60684 U.S.A.

Free Manuals Download Website

<http://myh66.com>

<http://usermanuals.us>

<http://www.somanuals.com>

<http://www.4manuals.cc>

<http://www.manual-lib.com>

<http://www.404manual.com>

<http://www.luxmanual.com>

<http://aubethermostatmanual.com>

Golf course search by state

<http://golfingnear.com>

Email search by domain

<http://emailbydomain.com>

Auto manuals search

<http://auto.somanuals.com>

TV manuals search

<http://tv.somanuals.com>