

1997

Owner's Manual

CRAFTSMAN®

21" Six-Speed Rear Drive

Mulching/Side-Discharge

SELF-PROPELLED LAWN MOWER

Model No.

247.370330

12A-967K099



CAUTION: Before using this product, read this manual and follow all Safety Rules and Operating Instructions.

Sears, Roebuck and Co., Hoffman Estates, IL 60179, U.S.A.

TABLE OF CONTENTS

Content	Page	Content	Page
Warranty Information	2	Maintenance	12
Safe Operation Practices	3	Service & Adjustment	15
Slope Guage	6	Off-Season Storage	19
Assembly	7	Trouble-Shooting	21
Operation	9	Repair Parts	22

WARRANTY INFORMATION

Two-Year Warranty on Craftsman Lawn Mower

For two years from the date of purchase, when this Craftsman lawn mower is maintained, lubricated, and tuned up according to the instructions in the owner's manual, Sears will repair, free of charge, any defects in material or workmanship. If this lawn mower is used for commercial or rental purposes, this warranty applies for only 90 days from the date of purchase.

This warranty does not cover:

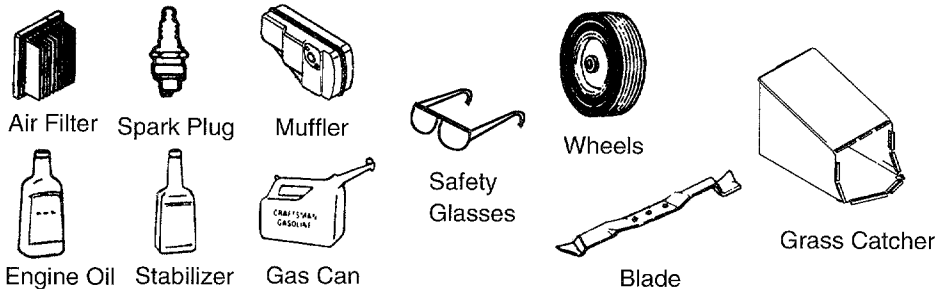
1. Expendable items which become worn during normal use, such as rotary mower blades, blade adapters, belts, air cleaners and spark plug.
2. Repairs necessary because of operator abuse or negligence, including bent crankshafts and the failure to maintain equipment according to the instructions contained in the owner's manual.

WARRANTY SERVICE IS AVAILABLE BY RETURNING THE CRAFTSMAN LAWN MOWER TO THE NEAREST SEARS SERVICE CENTER IN THE UNITED STATES. THIS WARRANTY APPLIES ONLY WHILE THIS PRODUCT IS IN USE IN THE UNITED STATES.

This warranty gives you specific legal rights, and you may also have other rights which vary from state to state. Sears, Roebuck and Co., D/817WA, Hoffman Estates, IL 60179

ACCESSORIES

These accessories were available when the lawn mower was purchased. They are also available at most Sears retail outlets, and service centers. Most Sears stores can order repair parts for you when you provide the model number of your lawn mower.



PRODUCT SPECIFICATIONS	
Horsepower:	6 H.P.
Engine Oil	27 oz. SAE 30 oil
Fuel Capacity:	1.5 quarts unleaded
Spark Plug:	J-19LM (Champion)
Spark Plug Gap:	.030"

Please record model number, serial number, and date of purchase here for future reference. You will find this information on the model plate located on the cutting deck of your mower.

Model Number

Serial Number

Date of Purchase

SAFE OPERATION PRACTICES



This symbol points out important safety instructions which, if not followed, could endanger the personal safety and/or property of yourself and others. Read and follow all instructions in this manual before attempting to operate your lawn mower. Failure to comply with these instructions may result in personal injury. When you see this symbol—**heed its warning.**



DANGER:

Your lawn mower was built to be operated **according to the rules for safe operation in this manual.** As with any type of power equipment, carelessness or error on the part of the operator can result in serious injury. **If you violate any of these rules, you may cause serious injury to yourself or others.**



This unit is equipped with an internal combustion engine and should not be used on or near any unimproved forest-covered, brush-covered or grass-covered land unless the engine's exhaust system is equipped with a spark arrester meeting applicable local or state laws (if any). If a spark arrester is used, it should be maintained in effective working order by the operator.

In the State of California the above is required by law (Section 4442 of the California Public Resources Code). Other states may have similar laws. Federal laws apply on federal lands. A spark arrester for the muffler is available through your nearest Sears Authorized Service Center (See the REPAIR PARTS section of this manual.)



WARNING: The engine exhaust from this product contains chemicals known to the State of California to cause cancer, birth defects or other reproductive harm.

GENERAL OPERATION

- Read this owner's guide carefully in its entirety before attempting to assemble this machine. Read, understand, and follow all instructions on the machine and in the manual(s) before operation. Be completely familiar with the controls and the proper use of this machine before operating it. Keep this manual in a safe place for future and regular reference, and for ordering replacement parts.
- Your rotary mower is a precision piece of power equipment, not a plaything. Therefore, exercise extreme caution at all times. Your unit has been designed to perform one job: to mow grass. Do not use it for any other purpose.
- Never allow children under 14 years old to operate a power mower. Children 14 years old and over should only operate mower under close parental supervision. Only responsible individuals who are familiar with these rules of safe operation should be allowed to use your mower.
- Keep the area of operation clear of all persons, particularly small children and pets. Stop engine when they are in the vicinity of your mower to help prevent blade contact or thrown object injury. Although the area of operation should be completely cleared of foreign objects, an object may have been overlooked and could be accidentally thrown by the mower in any direction and cause serious personal injury to the operator or any others allowed in the area.
- Thoroughly inspect the area where the equipment is to be used. Remove all stones, sticks, wire, bones, toys and other foreign objects which could be picked up and thrown by the mower in any direction and cause serious personal injury to the operator or any others allowed in the area. Plan your mowing pattern to avoid discharge of material toward roads, sidewalks, bystanders and the like. To help avoid a thrown object's injury, keep children, bystanders and helpers at least 75 feet from the mower while it is in operation.
- Always wear safety glasses or safety goggles during operation or while performing an adjustment or repair, to protect eyes from foreign objects that may be thrown from the machine in any direction.
- Wear sturdy, rough-soled work shoes and close-fitting slacks and shirts. Shirts and pants that cover the arms and legs and steel-toed shoes are recommended. Do not wear loose fitting clothes or jewelry. They can be caught in moving parts. Never operate a unit in bare feet, sandals, slippery or light weight (e.g. canvas) shoes.
- Do not put hands or feet near or under rotating parts. Keep clear of discharge opening at all times as the rotating blade can cause injury.
- Many injuries occur as a result of the mower being pulled over the foot during a fall. Do not hang on to the mower if you are falling; release the handle immediately.
- Never pull the mower toward you while you are walking. If you must back the mower away from a

wall or obstruction first look down and behind, and then follow these steps:

- a. Step back from the mower to fully extend your arms.
 - b. Be sure you are well balanced with sure footing.
 - c. Pull the mower back slowly, no more than half way toward you.
 - d. Repeat these steps as needed.
- Do not operate the mower while under the influence of alcohol or drugs.
 - Do not engage the self-propelled mechanism on units so equipped while starting engine.
 - The blade control handle is a safety device. Never attempt to bypass its operation. Doing so makes the safety device inoperative and may result in personal injury through contact with the rotating blade. The blade control handle must operate easily in both directions and automatically return to the disengaged position when released.
 - Never operate the mower in wet grass. Always be sure of your footing. A slip and fall can cause serious personal injury. Keep a firm hold on the handle and walk, never run. If you feel you are losing your footing, RELEASE THE BLADE CONTROL HANDLE IMMEDIATELY and the blade will stop rotating within three seconds.
 - Mow only in daylight or good artificial light.
 - Stop the blade when crossing gravel drives, walks or roads.
 - If the equipment should start to vibrate abnormally, stop the engine and check immediately for the cause. Vibration is generally a warning of trouble.
 - Shut the engine off and wait until the blade comes to a complete stop before removing the grass catcher or unclogging the chute. The cutting blade continues to rotate for a few seconds after the engine is shut off. Never place any part of the body in the blade area until you are sure the blade has stopped rotating.
 - Never operate mower without proper guards, grass catcher, plates or other safety protective devices in place.
 - Muffler and engine become hot and can cause a burn. Do not touch.
 - Only use accessories approved for this machine by the manufacturer. Read, understand, and follow all instructions provided with the approved accessory.
 - If situations occur which are not covered in this manual, use care and good judgment. Contact your dealer for assistance.

SLOPE OPERATION

For your safety, use the slope gauge included as part of this manual to measure slopes before operating this unit

on a sloped or hilly area. If the slope is greater than 15 degrees as shown on the slope gauge, do not operate this unit on that area or serious injury could result.

DO:

- Mow across the face of slopes; never up and down. Exercise extreme caution when changing direction on slopes.
- Watch for holes, ruts, hidden objects, or bumps. Tall grass can hide obstacles.
- Always be sure of your footing. A slip and fall can cause serious personal injury. If you feel you are losing your balance release the blade control handle immediately and the blade will stop in less than 3 seconds.
- ON MODELS WITH CASTER WHEELS: Lock both front wheels so they do not pivot while mowing on the face of slopes. To turn the mower, depress the handle and raise the front wheels slightly.

DO NOT:

- Do not mow near drop-offs, ditches or embankments. The operator could lose footing or balance.
- Do not mow slopes greater than 15 degrees as shown on the slope gauge.
- Do not mow on wet grass. Reduced footing could cause slipping.
- ON MOWERS WITH CASTER WHEELS: Do Not Mow on slopes with casters unlocked since the mower has a tendency to drift down hill.

CHILDREN

Tragic accidents can occur if the operator is not alert to the presence of children. Children are often attracted to the mower and the mowing activity. Never assume that children will remain where you last saw them.

- Keep children out of the mowing area and under the watchful care of a responsible adult other than the operator.
- Be alert and turn mower off if a child enters the area.
- Before and while moving backwards, look behind and down for small children or other objects.
- Never allow children under age 14 to operate the mower. Children 14 years of age and above should read and understand the operation instructions and safety rules in this manual.
- Use extreme care when approaching blind corners, shrubs, trees, or other objects that may obscure your vision of a child or hazard.

SERVICE

- Use extreme care in handling gasoline and other fuels. They are extremely flammable and the vapors are explosive.

- Use only an approved gasoline container.
- Never remove gas cap or add fuel while the engine is running. Allow engine to cool at least two minutes before refueling.
- Replace gasoline cap securely and wipe off any spilled gasoline before starting the engine as it may cause a fire or explosion.
- Extinguish all cigarettes, cigars, pipes and other sources of ignition.
- Never refuel machine indoors because flammable vapors will accumulate in the area.
- Never store the machine or fuel container inside where there is an open flame or spark such as a gas water heater, space heater, or furnace.
- Never run an engine inside a closed area.
- To reduce fire hazard, keep mower free of grass, leaves, or other debris build-up. Clean up oil or fuel spillage. Allow mower to cool at least 5 minutes before storing.
- Before cleaning, repairing, or inspecting, make certain the blade and all moving parts have stopped. Disconnect the spark plug wire, and keep the wire away from the spark plug to prevent accidental starting.
- Check the blade and engine mounting bolts at frequent intervals for proper tightness. Also, visually inspect blade for damage (e.g., bent, cracked or worn). Replace with blade which meets original equipment specifications listed in this manual.
- Keep all nuts, bolts, and screws tight to be sure the equipment is in safe working condition.
- Never tamper with safety devices. Check their proper operation regularly.
- After striking a foreign object, stop the engine, remove the wire from the spark plug, and thoroughly inspect the mower for any damage. Repair the damage before starting and operating the mower.
- Never attempt to make a wheel or cutting height adjustment while the engine is running.
- Grass catcher components are subject to wear, damage and deterioration, which could expose moving parts or allow objects to be thrown. For safety protection, frequently check components and replace with manufacturer's recommended parts, when necessary.
- Mower blades are sharp and can cut. Wrap the blade(s) or wear gloves, and use extra caution when servicing them.
- Do not change the engine governor setting or overspeed the engine. Excessive engine speeds are dangerous.

YOUR RESPONSIBILITY



Restrict the use of this power machine to persons who read, understand and follow the warnings and instructions in this manual and on the machine.

Following are representations of the safety labels on your lawn mower. Please maintain safety while operating the mower.

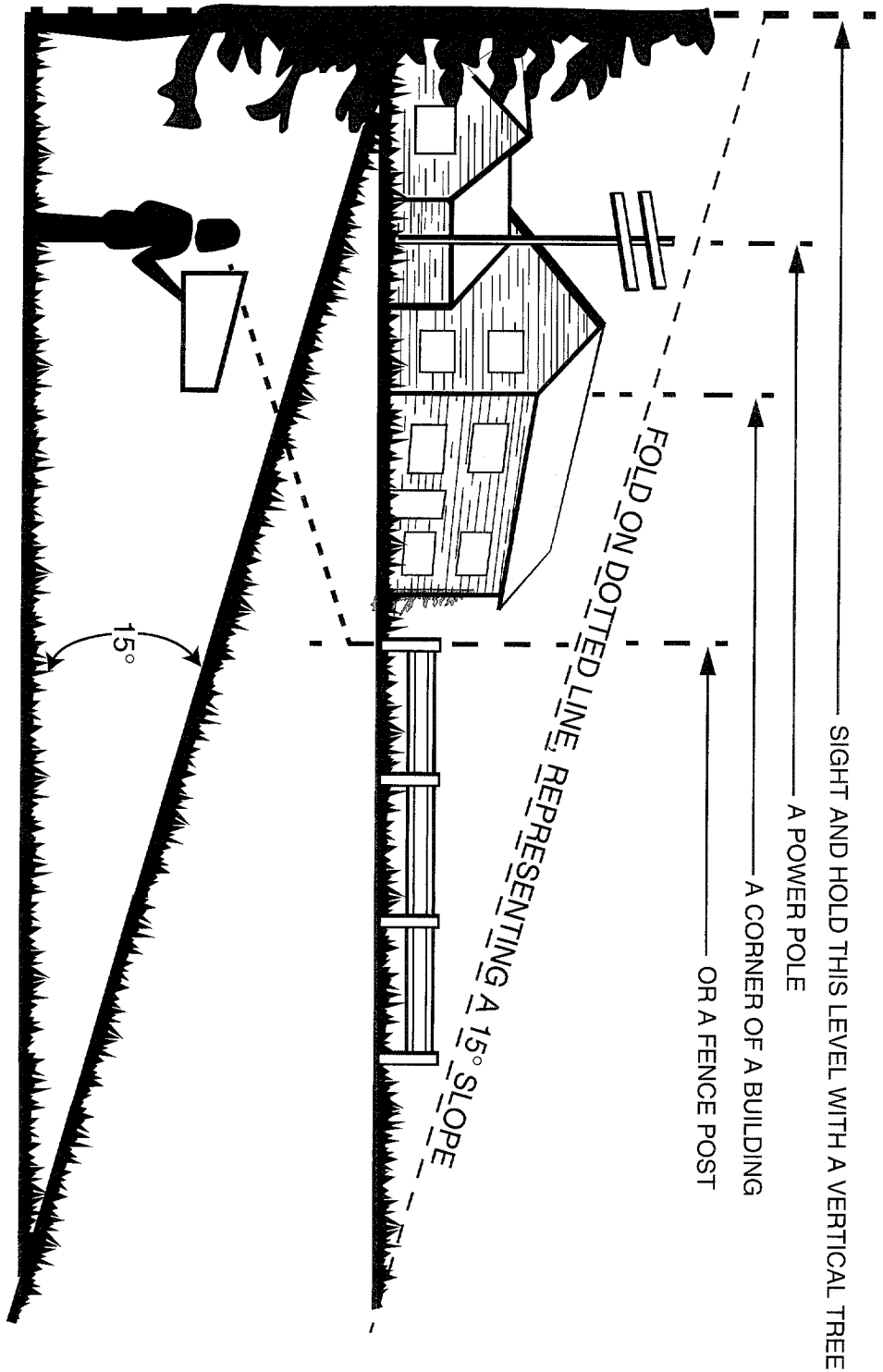


SAVE THESE INSTRUCTIONS FOR FUTURE REFERENCE.



SLOPE GAUGE

USE THIS PAGE AS A GUIDE TO DETERMINE SLOPES WHERE YOU MAY NOT OPERATE SAFELY:



WARNING

Do not mow on inclines with a slope in excess of 15 degrees (a rise of approximately 2-1/2 feet every 10 feet). A riding mower could overturn and cause serious injury. If operating a walk-behind mower on such a slope, it is extremely difficult to maintain your footing and you could slip, resulting in serious injury. Operate RIDING mowers up and down slopes, never across the face of slopes. Operate WALK-BEHIND mowers across the face of slopes, never up and down slopes.

ASSEMBLY

REMOVING UNIT FROM CARTON

- Remove staples, break glue on top flaps, or cut tape at carton end and peel along top flap to open carton.
- Remove loose parts if included with unit (i.e., owner's manual, etc.). See Figure 1.

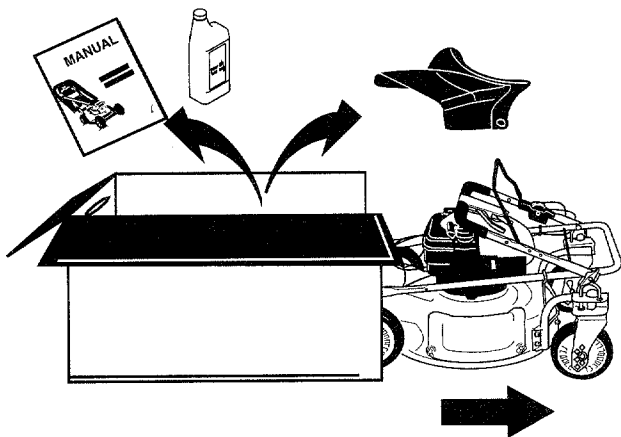


Figure 1

- Cut along dotted lines and lay carton down flat.
- Remove packing material.
- Roll or slide unit out of carton. Check carton thoroughly for loose parts. See Figure 1.

Note: Make sure not to crimp the cables while removing the loose parts or the entire unit from the carton.

IMPORTANT: This unit is shipped **without gasoline or oil in the engine**. Be certain to service engine with gasoline and oil before operating your mower.

NOTE: Reference to right or left hand side of the mower and front or rear of the mower is observed from the operating position.

LOOSE PARTS

- a. Side Discharge Chute
- b. Owner's Manual
- c. A Bottle of Engine Oil

TOOLS REQUIRED

- a. Pair of Pliers
- b. Funnel

DISCONNECTING SPARK PLUG

- Before setting up your lawn mower, disconnect the spark plug wire from the spark plug, and ground it against the engine. See Figure 2.
- Attach rubber boot to a bolt on the engine to ground.

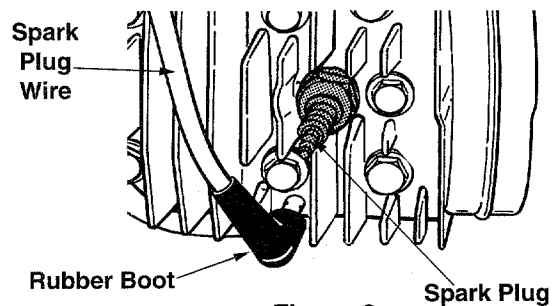
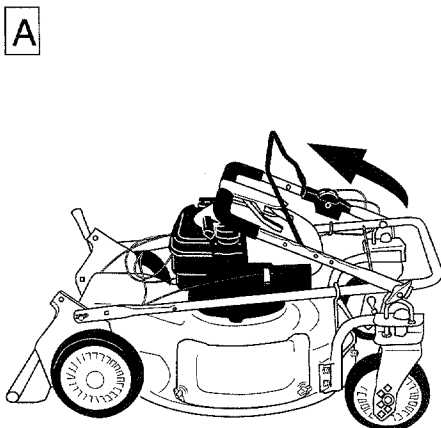


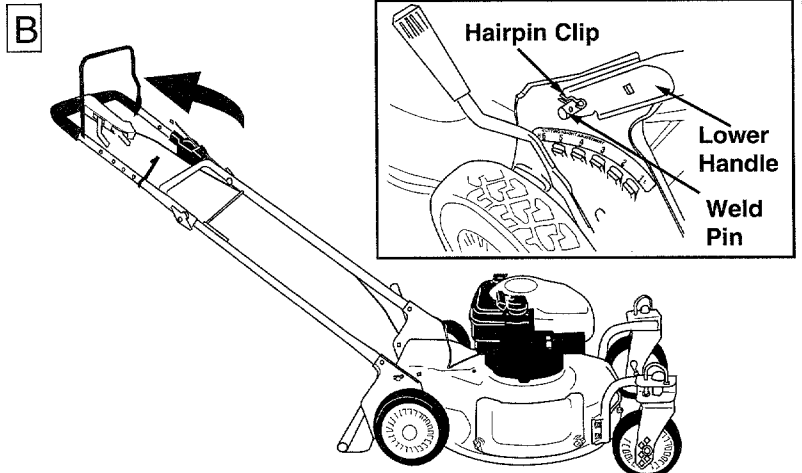
Figure 2

ASSEMBLING HANDLE

- Raise the lower handle as shown in Figure 3A so that the lower handle snaps into place.



1. Raise lower handle



2. Raise upper handle

Figure 3

Note: Make sure to route the cables inside the lower handle. Also do not crimp the cables while lifting the handle up.

For shipping purposes, the hairpin clip is placed in the outer hole of the weld pin on each side of the lower handle.

- Remove the hairpin clip from the outer hole of the weld pin.
- Using a pair of pliers, insert the hairpin clip into the inner hole on the weld pin. Repeat on other side. See Figure 3B inset.
- Raise the upper handle as shown in Figure 3B. Tighten the wing nuts which are already on the handle.
- Attach control cables to lower handle with two cable ties found on the handle. Pull tight and cut off the excess.

ATTACHING STARTER ROPE

The rope guide is already attached to the right side of the upper handle of your mower. See Figure 4.

- With the spark plug wire disconnected and grounded, hold the blade control handle against the upper handle, and pull the starter rope out of the engine and up towards the operator.
- Slip the rope through the rope guide. Tighten the wing knob holding the rope guide to the upper handle..

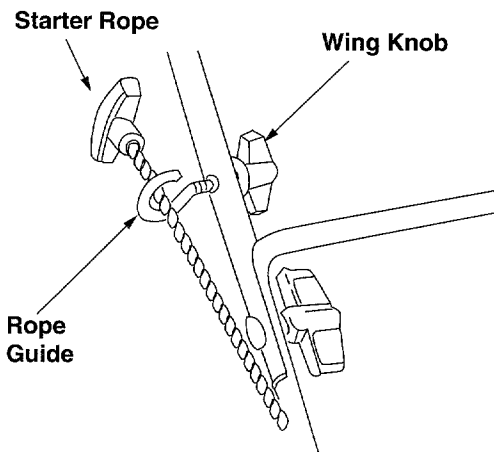


Figure 4

ATTACHING DISCHARGE CHUTE

Your lawn mower was shipped as a mulcher. Replace the mulching cover with the side discharge chute for discharging grass clippings.

- Remove three plastic wing nuts holding the

mulching cover to the deck. See Figure 5A. Keep the cover in a safe place for future use. Save the wing nuts.

- Place the side discharge chute on the deck in place of the mulching cover. Make sure that the top flange of the discharge chute goes under the deck. See Figure 5B.
- Align the three slots on the discharge chute with the hardware slots on the deck. See Figure 5B.
- Insert the three wing nuts earlier removed through these slots. Tighten the wing nuts.

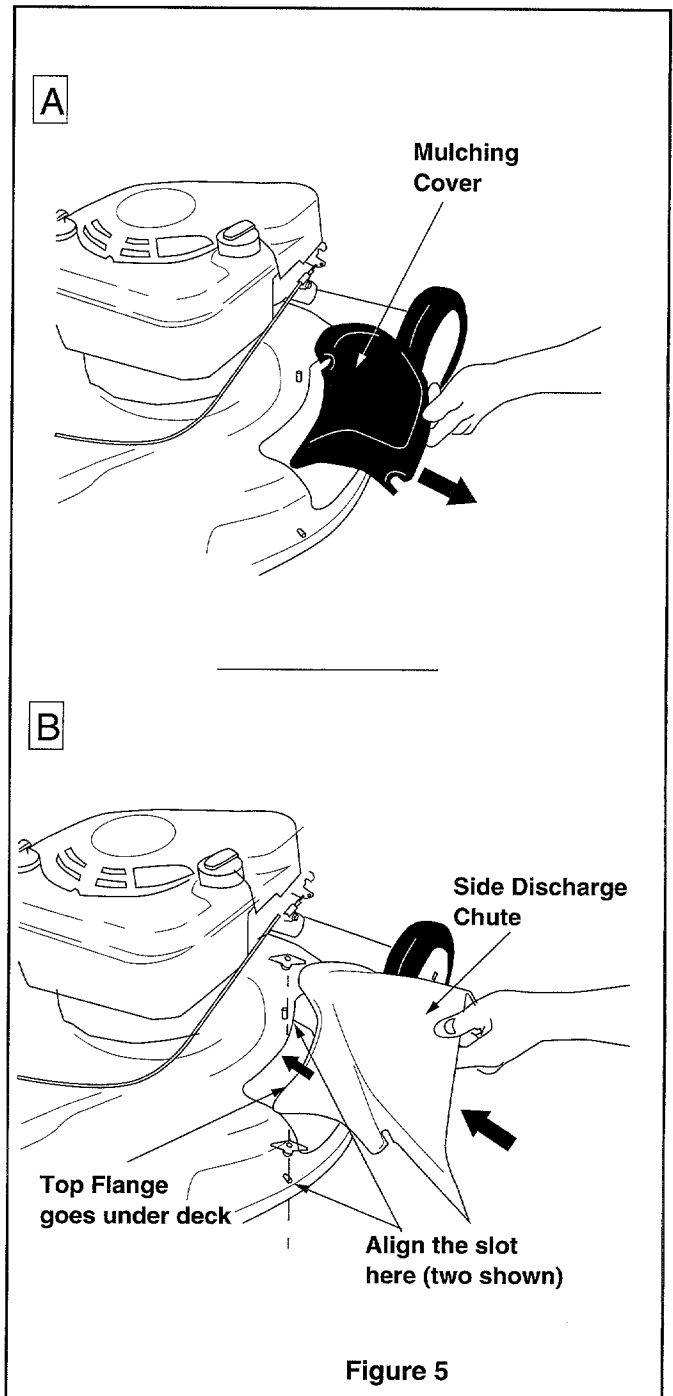


Figure 5

OPERATION

KNOW YOUR MOWER

(Refer to Figure 6.)



Compare the illustrations on this page with your lawn mower to familiarize yourself with the location of various controls and adjustments.

The operation of any lawn mower can result in foreign objects being thrown into the operator's eyes, causing severe eye damage. **Always wear safety glasses** before operating the mower, or while performing any adjustments or repairs on it.

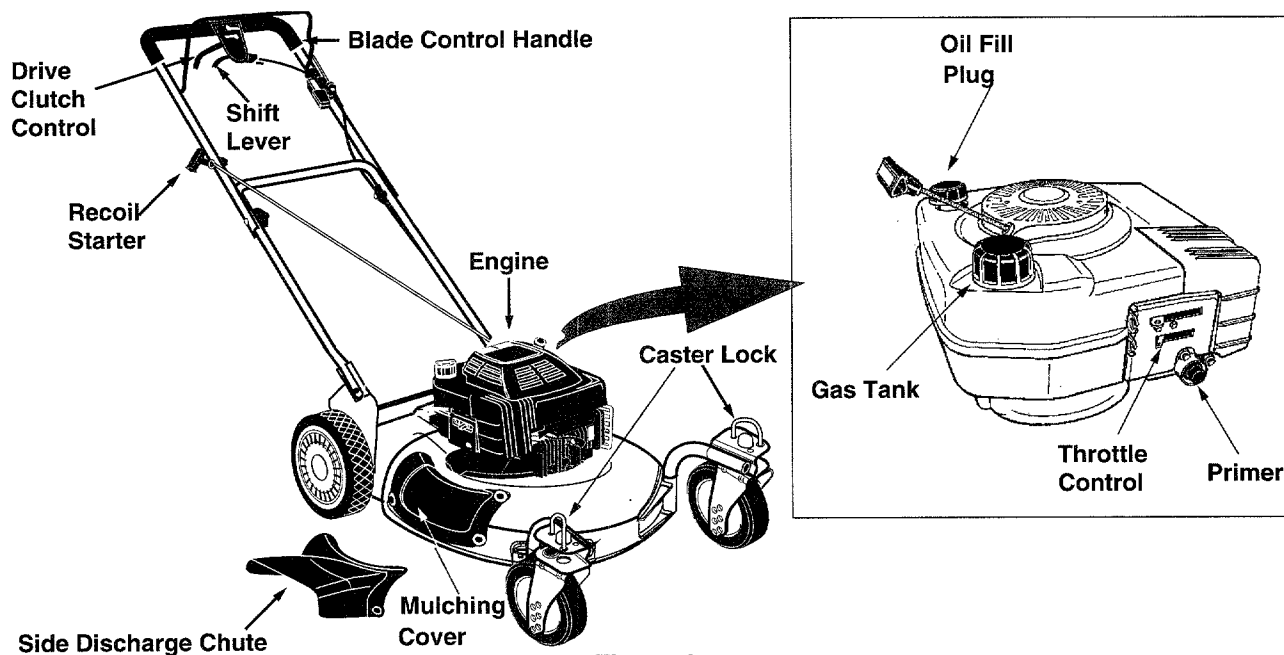


Figure 6

Blade Control Handle



WARNING: This control mechanism is a safety device. **Never attempt to bypass** its operations.

The blade control handle must be depressed in order to operate the unit. Release the blade control handle to stop the engine and the blade.

Drive Clutch Control

Squeeze the drive clutch control to engage the drive system; release the drive clutch control to disengage the drive system.

Shift Lever

The shift lever is used to select any one of the six forward speeds of the mower.

Note: Move the shift lever only when the engine is running. Changing the shift lever setting with the

engine turned off can cause damage to the mower.

Caster Wheels

Your mower is equipped with caster wheels in front. The casters can be locked in a straight ahead position for mowing on hills, or can be unlocked to swivel freely on level ground.

Throttle Control

The throttle control is used to regulate engine speed. It **cannot** be used to stop the engine.

Primer

The primer is used to pump gas into the carburetor. Use it to start a cold engine, but do not use it to restart a warm engine after a short shutdown.

Recoil Starter

The recoil starter is attached to the handle. Stand behind the unit and pull the recoil starter to start the unit.

MEETS CPSC BLADE SAFETY STANDARDS

Craftsman Walk-Behind Lawn Mowers conform to the safety standards of the American National Standards Institute and the U.S. Consumer Product Safety Commission.

STOPPING ENGINE

- Release blade control handle to stop the engine and the rotating blade.
- Disconnect spark plug wire and move away from spark plug to prevent accidental starting.

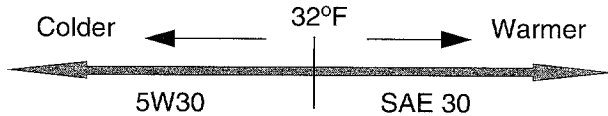


WARNING: Before using your lawn mower, refer to the **safety rules** on pages 3-5 of this manual again. **Always be careful.**

GAS AND OIL FILL-UP

Oil

- Only use high quality detergent oil rated with API service classification SF, SG or SH. Select the oil's viscosity grade according to your expected operating temperature. Follow the chart below.



Oil Viscosity Grade Chart

- Use SAE30 oil; *do not use* 10W40 oil.
- Fill oil sump and check the oil level.
 - a. Position the mower on level ground.
 - b. Clean area around oil fill plug.
 - c. Remove oil fill plug and dipstick.
 - d. Wipe dipstick clean, insert it into oil fill hole and tighten securely.
 - e. Remove dipstick and check the oil level. If the oil is not up to FULL mark on the dipstick, pour recommended oil through the oil fill and check the level again. Do not overfill the oil sump.
- Install oil fill plug and dipstick, tighten securely.

NOTE: Although multi-viscosity oils (5W30, 10W30, etc.) improve starting in cold weather, these multiviscosity oils will result in increased oil consumption when used above 32°F. Check the oil level more frequently to avoid possible engine damage from running low on oil.

Gasoline



Never fill fuel tank indoors, or when engine is running or hot. Do not smoke when filling fuel tank.

- Clean area around fuel cap. Remove cap.
- Use a funnel to funnel to prevent spillage.

- Pour approximately 1.5 quarts of fresh, regular grade, unleaded gasoline slowly to the fuel tank.

IMPORTANT: Never mix engine oil with gasoline.

- Fill tank to 1/2" below the bottom of the filler neck. Wipe any fuel spillage. **Do not fill** fuel tank completely. Provide space for fuel expansion.

BEFORE STARTING

Each time before you start the mower, attach the spark plug wire to the spark plug and check for proper drive clutch operation using the Neutral Adjustment Test.

Neutral Adjustment Test

- a. With the drive clutch control released, push mower forward and pull it backward. Does it move freely?
- b. Squeeze the drive clutch control and pull the mower backward. Do the rear wheels lock (not turn)?
- c. Is the drive clutch control cable free of kinks or sharp bends?

If you answered "yes" to all three questions, your mower is ready to be started. If you answered "no" to any one or more of the questions, your mower needs drive clutch control adjustment. Please refer to the Adjustments section of this manual for instructions.

STARTING ENGINE AND ENGAGING DRIVE



WARNING: Be sure **no one other than the operator** is standing near the lawn mower while starting or operating.

- Make certain the metal cap on the end of the spark plug wire is fastened securely over the metal tip on the spark plug.
- Move throttle control to FAST position.
- Push primer three times. See Figure 8. Wait about two seconds between each push. In cold weather around 55° F or below, prime five times. **Do not prime to restart a warm engine** after a short shutdown.
- Grasp blade control handle and pull rope out slowly until engine reaches the start of compression cycle (rope will pull slightly harder at this point). See Figure 7. Let the rope rewind slowly.
- Then pull rope with a rapid, continuous, full arm stroke. Keeping a firm grip on the blade control handle, let the rope return to the starter slowly.

Note: If engine fails to start after three pulls, repeat steps 2, 3, and 4.

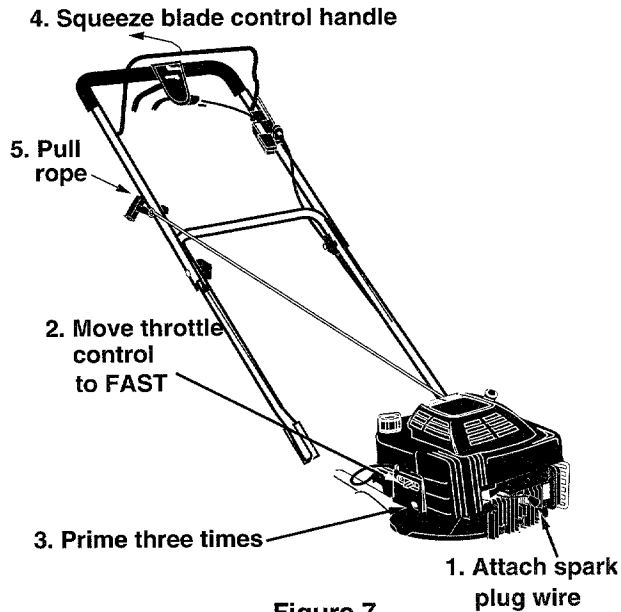


Figure 7



WARNING: The blade will rotate whenever the engine is running. **Keep hands and feet away from the blade.**

- With the blade control handle squeezed against the handle, move shift lever to the desired speed.
- Squeeze the drive clutch control lever against the handle to engage drive.

IMPORTANT: Move the shift lever **ONLY** when the engine is running. Disengage the drive clutch control when shifting speeds. You can **damage** the unit if you shift speed with the clutch handle engaged or engine not running.



Never run engine **indoors or in enclosed, poorly ventilated areas.** Engine exhaust contains carbon monoxide, an odorless and deadly gas.

Keep hands, feet, hair and loose clothing away from any moving parts on engine and lawn mower.

LOCKING CASTER WHEELS

If you are cutting grass on a slope, always lock the front wheel casters of your mower for straight ahead operation. On level ground you may leave the casters unlocked to pivot freely.

To turn the mower on a slope with casters locked, depress the handle and raise the front wheels slightly.

- **To lock caster:** Lift and place the lock pin in the larger hole on each caster. See Figure 8.

- **To unlock caster:** Lift and place the lock pin in the smaller hole to allow casters to rotate freely. See Figure 8.

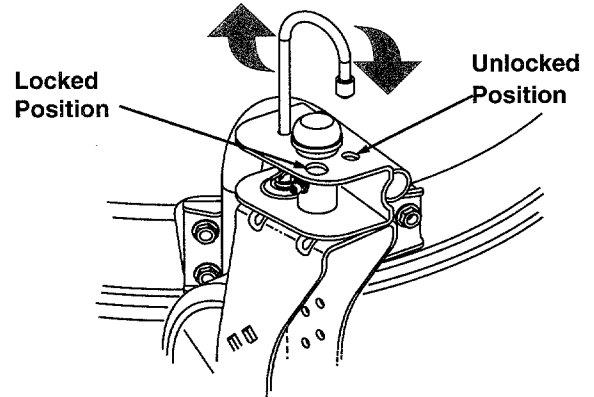


Figure 8



WARNING: Do not mow on slopes with casters unlocked since the mower can drift downhill.

USING YOUR LAWN MOWER

Your mower is designed to operate as a mulching or a side discharge unit.

- For converting from a mulcher to a side discharge unit, refer to instructions on page 8 of this manual.
- For converting from a side discharge unit to a mulcher, replace the side discharge chute with the mulching cover. Do not operate the mower without the mulching cover or the discharge chute properly installed.
- Be sure that lawn is clear of stones, sticks, wire, or other objects which could damage lawn mower or cause serious personal injury to the operator and others.
- *For best results, do not cut wet grass* because it tends to stick to the underside of the mower, preventing proper discharge of grass clippings, and could cause you to slip and fall. New grass, thick grass or wet grass may require a narrower cut. Blade speed should be adjusted to the condition of the lawn.
- The *best mowing pattern* is one that allows the clippings to discharge towards the uncut part of the lawn. This permits recutting of the clippings to further pulverize them. When cutting high weeds, discharge towards cut portion, then recut

- Rinse the foam filter thoroughly in clear water.
- Wrap in a clean cloth and squeeze (do not twist) until completely dry, or allow to air dry.
- Saturate with engine oil and squeeze (don't twist) to distribute oil and remove excess oil.
- If necessary, replace paper filter (do not attempt to clean). Install new filter on base.
- Swing cover upward and align hinge on the cover with that on the engine.
- Tighten cover screw securely.

Clean Engine

- Clean engine periodically. Remove dirt and debris with a cloth or brush.
- Frequently remove grass clippings, dirt and debris from cooling fins, air intake screen and levers and linkage. This will help ensure adequate cooling and correct engine speed.

NOTE: Do not clean with a forceful spray of water as water could contaminate the fuel system.

Spark Plug

- Clean spark plug and reset gap to .030" at least once a season or every 50 hours of operation. See Figure 10. Spark plug replacement is recommended at the start of each season. Refer to engine parts list for correct spark plug type.

NOTE: Do not sandblast spark plug. Spark plug should be cleaned by scraping or wire brushing and washing with a commercial solvent.

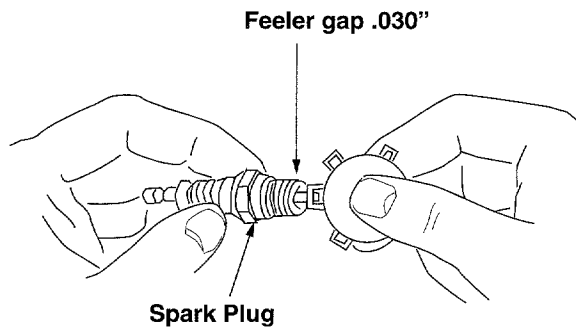


Figure 10

Muffler



WARNING: Do not operate the lawn mower **without a muffler**, or tamper with the exhaust system. Damaged mufflers or spark arresters could create a fire hazard. Temperature of muffler and nearby areas may exceed 150° F(65°C).

- Inspect periodically, and replace if necessary. If your engine is equipped with a spark arrester

screen assembly, remove every 50 hours for cleaning and inspection. Replace if damaged.

LUBRICATION

(Refer to Figure 11.)

Wheels

- Lubricate the wheels at least once a season with light oil or engine oil. Also, if the wheels are removed for any reason, lubricate the surface of the axle bolt and the inner surface of the wheel with light oil.

Caster Assembly

- Grease fittings are provided for easy lubrication of the swivel pins located on the front caster assembly. Use a grease gun to lubricate the casters every 25 operating hours or so.

Blade Control Handle

- Lubricate the pivot points on the blade control handle and the brake cable at least once a season with light oil. The blade control must operate freely in both directions.

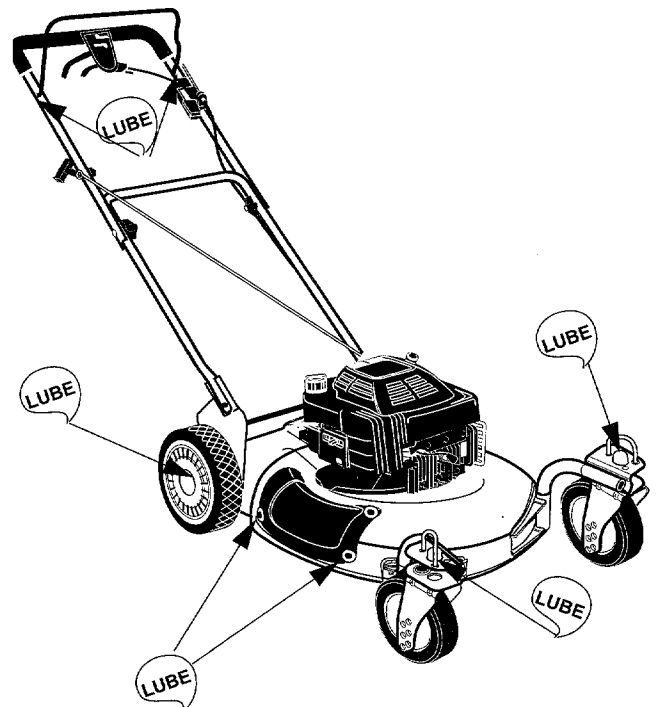


Figure 11

SERVICE & ADJUSTMENTS

BLADE CARE

Periodically inspect the blade adapter for cracks, especially if you strike a foreign object. Replace when necessary.



WARNING: When removing the cutting blade for sharpening or replacement, **protect hands by using heavy gloves or a rag to grasp the cutting blade.**

- Disconnect spark plug wire from spark plug.
- Turn mower on its side making sure that the air filter and the carburetor are up.
- Use a block of wood between blade and mower deck to prevent blade from turning when bolt is removed. Protect your hands with gloves and/or wrap blade with heavy cloth.

To Remove Blade

- Remove the bolt and blade bell support which hold the blade and adapter to the engine crankshaft. See Figure 12.
- Remove the blade and adapter from the crankshaft.

To Replace Blade:

- Before reinstalling the blade and the blade adapter to the unit, lubricate the engine crankshaft and the inner surface of the blade adapter with light oil.
- Install the blade adapter, the blade and the bell support on the crankshaft as shown in Figure 12.

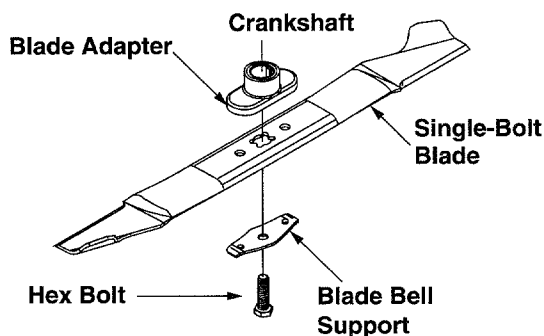


Figure 12

- Check and make sure to align the tabs in the holes of the blade with the hole in the bell support. See Figure 12.
- Check and make sure that the side of the blade

marked "bottom" (with part number)faces away from the adapter.

- Insert the hex bolt through the blade assembly. Figure 12 shows the correct order of assembly.
- Use block of wood to hold blade again while you tighten the bolt clockwise. Follow the recommended torque for the bolt which is 450-600 in.-lbs.

IMPORTANT: The bolt, used to secure the blade to the engine, is specially heat-treated. **Do not substitute.** To order replacement bolt, refer to the Repair Parts section of this manual.



WARNING: To ensure safe operation of your unit, **all nuts and bolts must be checked** periodically for correct tightness.

To Sharpen Blade:

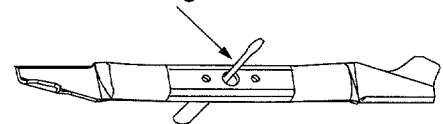
The blade can be sharpened with a file or on a grinding wheel. Do not attempt to sharpen while on the mower.

- Follow the original angle of grind as a guide. Make sure that each cutting edge receives an equal amount of grinding to prevent an unbalanced blade.

NOTE: An unbalanced blade will cause excessive vibration when rotating at high speeds, may cause damage to the mower and could break, causing personal injury.

- Test the blade by balancing it on a round shaft screwdriver or a blade balancer. See Figure 13.
- If the blade is not balanced, remove metal from the heavy side until it balances evenly.

1. Insert screw driver through hole



2. Blade should be parallel to ground

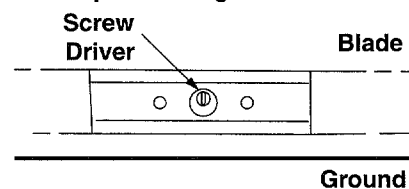


Figure 13

just removed. See Figure 20.

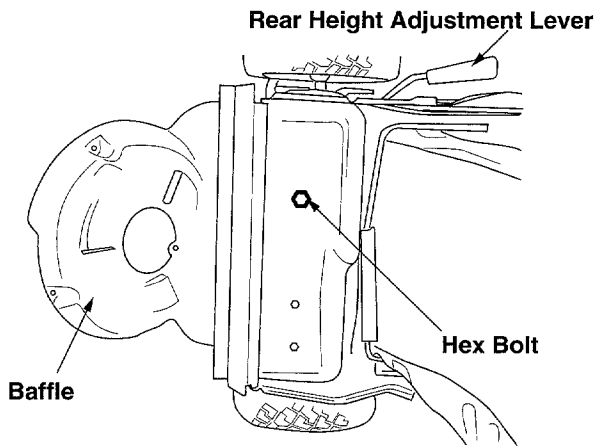


Figure 20

- Tilt the transmission forward and loosen the idler pulley bolt and lock nut 1/2 turn using two 7/16" wrenches. For location of idler pulley bolt and lock nut, refer to Figure 22.
- Using a pair of pliers, pull back and rotate belt keeper bracket from slot on idler pulley.
- Slide the belt out from between the belt keeper bracket and the idler pulley.
- Push control arm back and remove the six speed cable from the slot. Pivot the control arm down. See Figure 21.

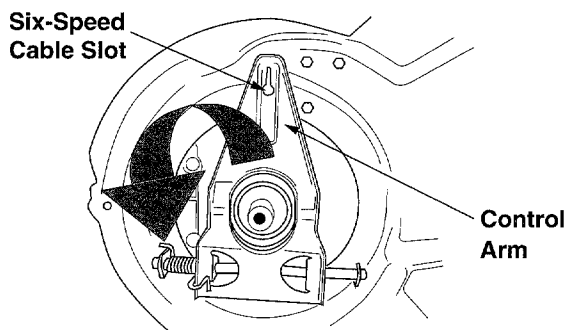


Figure 21

- Remove the lower pulley halves from the crankshaft and slide the old belt out.
- Grease the crankshaft.
- Feed the new belt over the transmission pulley, start the belt in pulley groove and rotate pulley until belt is seated in transmission pulley. For location of the transmission pulley, see Figure 22 inset.
- Place belt between idler pulley and the belt keeper bracket. See Figure 22.
- Using a pair of pliers, replace the belt keeper

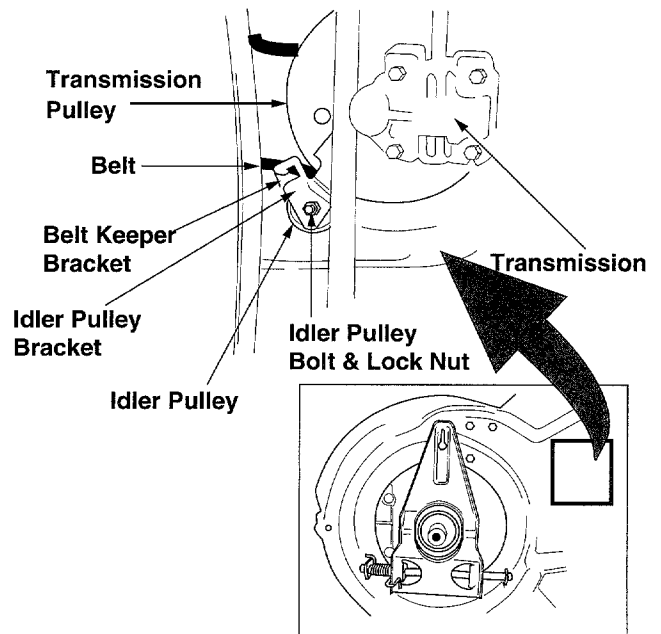


Figure 22

- Tighten the idler pulley bolt and lock nut 1/2 turn using 7/16" wrenches.
- Place belt between the two pulley halves on the crankshaft as shown in Figure 23. Make sure to route the belt inside the belt guard pin.

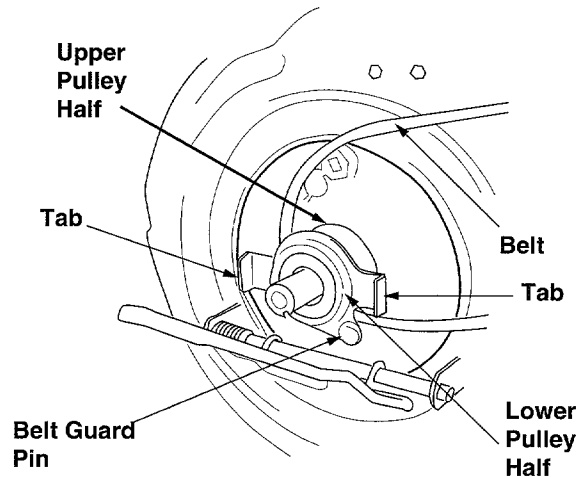


Figure 23

IMPORTANT: For proper assembly, it is essential to keep the belt guard pin and the two tabs on the lower pulley half in the position shown in Figure 23.

- Pinch belt together so that it is not in the pulley groove, and the lower pulley can be pushed towards the engine. See Figure 24.
- Pivot the control arm back to its original position

- and reinstall the six-speed cable into the slot.
- Check and make sure the belt is routed inside the pulley halves and the belt guard pin.
- Reinstall and tighten the bolt securing transmission to rear mower housing.
- Pivot the baffle back to its original position and secure with three hex screws earlier removed. You will need a 3/8" socket for these screws.
- Reinstall spacer, wave washer, blade adapter assembly and the blade in the correct order.
- Tighten the hex bolt to secure the blade. Follow recommended torque which is 450-600 in.-lbs.

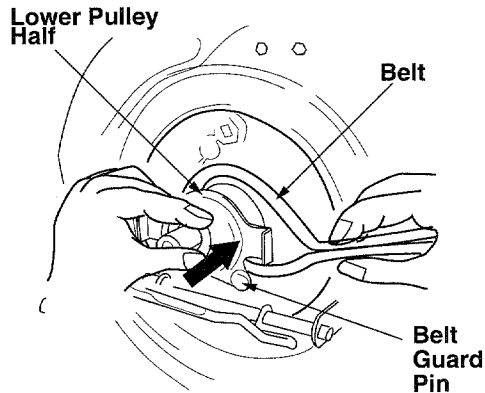


Figure 24

DRIVE CLUTCH ADJUSTMENT

The drive clutch control adjustment wheel is located

in the drive clutch control handle housing and is used to loosen or tighten the drive belt. You will have to tighten the drive clutch control if

- a. the mower does not self-propel with the drive clutch engaged; or
- b. the mower's drive wheels hesitate while engine maintains same speed; or
- c. it is more comfortable to have the drive engaged with the lever further away from the handle.

To adjust the drive clutch, follow these steps:

- Rotate the adjustment wheel clockwise to tighten the cable. See Figure 25.
- Rotate the adjustment wheel counter-clockwise to loosen the cable. See Figure 25.
- Make certain to retest the unit for neutral adjustment (see page 10). Loosen the drive clutch control if necessary.

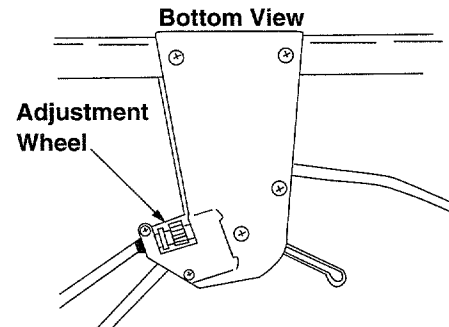


Figure 25

STORAGE

Prepare your lawn mower for storage at the end of the season or if the unit will not be used for 30 days or more. **Store mower in a clean, dry area.**

MOWER

- Clean underside of the mower following instructions in the Maintenance section on page 13 of this manual.
- Inspect and replace/sharpen blade, if required. Refer to page 15 of this manual for blade care instructions.
- Lubricate mower following the lubrication chart in Figure 11 of this manual.
- You can fold your mower's handle for convenient storage. Follow these steps:
 - a. Remove the starter rope from the rope guide.
 - b. Loosen the two hand knobs on the sides of the handle, and let the upper handle fold down to the rear.
 - c. Move the hairpin clips to the outer hole in the weld pins on the handle mounting brackets.
 - d. Spread the sides of the lower handle, and push it forward and down.

NOTE: When folding the handle for storage or transportation, be careful not to bend or kink the cables.

ENGINE

IMPORTANT: It is important to prevent gum deposits from forming in essential fuel system parts such as carburetor, fuel filter, fuel hose, or tank during storage. Also, experience indicates that alcohol blended fuels (called gasohol or using ethanol or methanol) can attract moisture which leads to separation and formation of acids during storage. Acidic gas can damage the fuel system of an engine while in storage.

Drain Fuel System & Carburetor



WARNING: Drain fuel into approved container outdoors **away from open flame**. Be sure engine is cool. **Do not smoke**.

- Drain the fuel tank.
- Start the engine and let it run until the fuel lines and carburetor are empty.
- Drain carburetor by removing bowl drain screw which is located below the carburetor. See Figure 26.

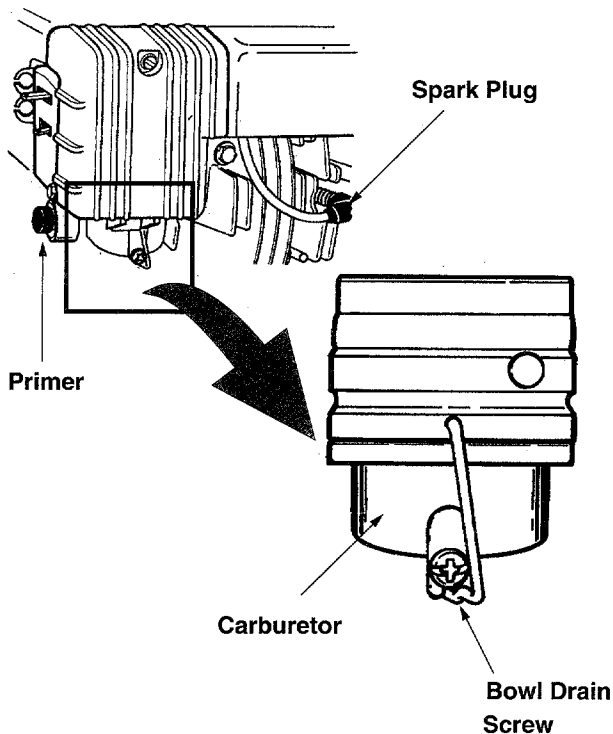


Figure 26



WARNING: Never use engine or carburetor cleaner products in the fuel tank or **permanent damage** may occur.

- Use fresh fuel next season.

Fuel Stabilizer

NOTE: Fuel stabilizer is an acceptable alternative in minimizing the formation of fuel gum deposits during storage.

- Add stabilizer to gasoline in fuel tank or storage container.
- Always follow the mix ratio found on stabilizer container.
- Run engine at least 10 minutes after adding stabilizer to allow the stabilizer to reach the carburetor.
- Do not drain the gas tank and carburetor if using fuel stabilizer. Drain all the oil from the crankcase (This should be done after the engine has been operated and is still warm) and refill the crankcase with fresh oil.

Oil Cylinder Bore

After you have drained the fuel tank, protect the inside of the engine as follows:

- Remove spark plug, pour approximately one ounce (30 ml) of engine oil into spark plug hole, and crank slowly to distribute oil.



WARNING: Avoid spray from spark plug hole when cranking the engine slowly.

- Replace spark plug; do not connect spark plug wire.

Change Oil

- Change oil if it has not been changed in the last three months. For instructions on how to change oil refer to the Maintenance section of this manual.

Clean Engine

- Clean engine and remove any grass clippings, dirt, or chaff from the exterior of the engine.
- Remove any dirt or debris from cooling fins, air intake screen, levers, and linkage.

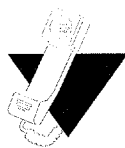
OTHER

- Do not store gasoline from one season to another.
- Replace your gasoline can if it starts to rust. Rust and/or dirt in the gasoline will cause problems. Store unit in a clean, dry area. Do not store next to corrosive materials, such as fertilizer.

NOTE: If storing in an unventilated or metal storage shed, be certain to rustproof the equipment by coating with a light oil or silicone.

TROUBLE-SHOOTING

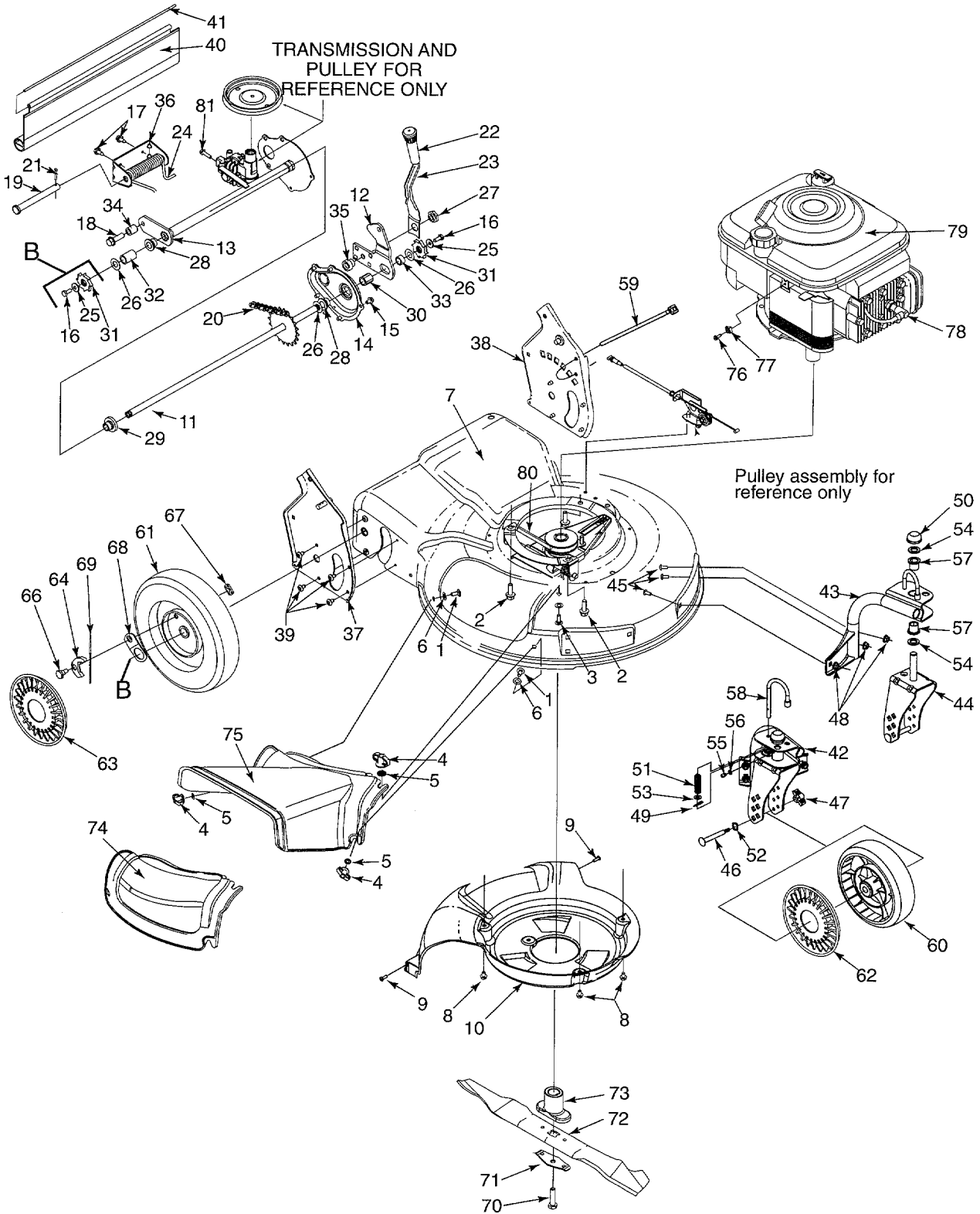
PROBLEM	POSSIBLE CAUSE	CORRECTIVE ACTION
Engine fails to start	<ol style="list-style-type: none"> 1. Blade control handle disengaged 2. Spark plug wire disconnected 3. Throttle control lever not in starting position 4. Fuel tank empty, or stale fuel 5. Blocked fuel line 6. Faulty spark plug 7. Engine flooded 	<ol style="list-style-type: none"> 1. Engage blade control handle. 2. Connect wire to spark plug. 3. Move throttle lever to starting position. 4. Fill tank with fresh, clean fuel. 5. Clean fuel line. 6. Clean, adjust gap or replace. 7. Crank engine with throttle in FAST position.
Engine runs erratic	<ol style="list-style-type: none"> 1. Spark plug wire loose 2. Blocked fuel line or stale fuel 3. Vent in gas cap plugged 4. Water or dirt in fuel system 5. Dirty air cleaner 	<ol style="list-style-type: none"> 1. Connect and tighten spark plug wire. 2. Clean fuel line, fill tank with clean, fresh gasoline. 3. Clear vent. 4. Drain fuel tank. Refill with fresh fuel. 5. Clean air cleaner. Refer to page 13
Engine overheats	<ol style="list-style-type: none"> 1. Engine oil level low 2. Air flow restricted 	<ol style="list-style-type: none"> 1. Fill crankcase with proper oil. 2. Clean lawn mower engine.
Occasional skip (hesitates) at high speed	<ol style="list-style-type: none"> 1. Spark plug gap too close 	<ol style="list-style-type: none"> 1. Adjust gap to .030 inches.
Idles poorly	<ol style="list-style-type: none"> 1. Spark plug fouled, faulty, or gap too wide 2. Dirty air cleaner 	<ol style="list-style-type: none"> 1. Reset gap to .030 inches or replace spark plug. 2. Clean air cleaner following instructions on page 13.
Excessive vibration	<ol style="list-style-type: none"> 1. Cutting blade loose or unbalanced 2. Bent cutting blade 3. Bent engine crankshaft 	<ol style="list-style-type: none"> 1. Tighten blade and adapter, balance blade. 2. Replace blade. 3. Contact your SEARS Service Center.
Mower will not mulch grass	<ol style="list-style-type: none"> 1. Engine speed too low 2. Wet grass 3. Excessively high grass 4. Dull blade 	<ol style="list-style-type: none"> 1. Move throttle lever to FAST position. 2. Wait until later to cut. 3. Mow once at a high cutting height, then mow again at desired height. Make a narrower cutting swath (1/2) width. Do not cut off more than 1/3 of the total length. 4. Sharpen or replace blade.
Uneven cut	<ol style="list-style-type: none"> 1. Wheels not in same height position 2. Dull blade 	<ol style="list-style-type: none"> 1. Place all four wheels in same relative height position. 2. Sharpen or replace blade.



For repairs beyond the minor adjustments listed above, please contact your nearest SEARS Service Center.

PARTS LIST

CRAFTSMAN 6 H.P. LAWN MOWER MODEL 247.370330



CRAFTSMAN 6 H.P. LAWN MOWER MODEL 247.370330

Key No.	Part No.	Description	Key No.	Part No.	Description
1.	710-0134	Carriage Screw 1/4-20 x .62	32.	750-0151	Spacer
2.	710-0654A	Screw TT 3/8-18 :1.00	33.	750-0515	Spacer
3.	710-0703	Carriage Bolt 1/4-20 x .750	34.	750-0807	Spacer
4.	712-0397	Wing Nut	35.	750-1056	Shoulder Spacer
5.	726-0233	Push Nut	36.	782-0568	Spring Bracket, Lift Assist
6.	736-0204	Flat Washer .334 I.D. x .62 O.D. x .03	37.	682-3052	Handle Bracket RH
7.	782-0078	Deck 21"	38.	682-3053	Handle Bracket LH
8.	710-0653	Hex Screw 1/4-20 x .375	39.	710-1348	Torx Screw AB
9.	710-1220	Screw HL 1/2-14 x .750	40.	731-1901	Trail Shield
10.	731-1828	Rear Baffle	41.	732-0842	Trail Shield Wire
11.	638-0012	Rear Axle Ass'y.	42.	682-9020	Caster Ass'y. RH
12.	782-0566	Pivot Arm, Rear	43.	682-9021	Caster Ass'y.LH
13.	682-7526	Trans. Axle Ass'y.	44.	682-9024	Caster Bracket Ass'y.
14.	682-7528	Chain Cover	45.	710-0260	Carriage Bolt 5/16 -18 Gr.5
15.	710-0653	Hex Scr.TT 1/4-20 x .375	46.	711-1146	Axle, Caster
16.	710-0751	Hex Screw 1/4-20 x .620 Gr. 5	47.	712-0397	Wing Nut
17.	710-0896	Hex Screw AB 1/4-14 x .625	48.	712-3004A	Lock Nut 5/16-18 Gr.5
18.	710-1315	Hex Screw 3/16 x 1.25	49.	714-0104	Internal Cotter Pin
19.	711-0835	Clevis Pin	50.	726-0214	Push Cap
20.	713-0453	Chain: Endls #48	51.	732-0306	Compression Spring
21.	714-0474	Cotter Pin	52.	736-0232	Wave Washer
22.	720-0223	Grip	53.	736-0264	Flat Washer .330 I.D. x .630 x .06
23.	732-0803	Spring Lever	54.	736-0366	Flat Washer 5/8 I.D. x 1.0 O.D.
24.	732-0832	Torsion Spring	55.	737-3000	Lube Fitting
25.	736-0270	Bell Washer	56.	736-0931	Flat Washer .203 I.D. x .403 O.D.
26.	736-0369	Flat Washer	57.	741-0685	Flange Bearing
27.	738-0529	Shoulder Nut .625 dia x .165	58.	747-0924	Front Wheel Lock Pin
28.	741-0324	Flange Bearing	59.	725-0157	Cable Tie
29.	741-0522	Flange Bearing	60.	734-1849	Caster Wheel 7x2
30.	741-0978	Slev. Bearing	61.	734-1850	Wheel Ass'y. Rear 9 x 2
31.	748-0318	Ratchet Wheel	62.	731-1887	Hub Cap

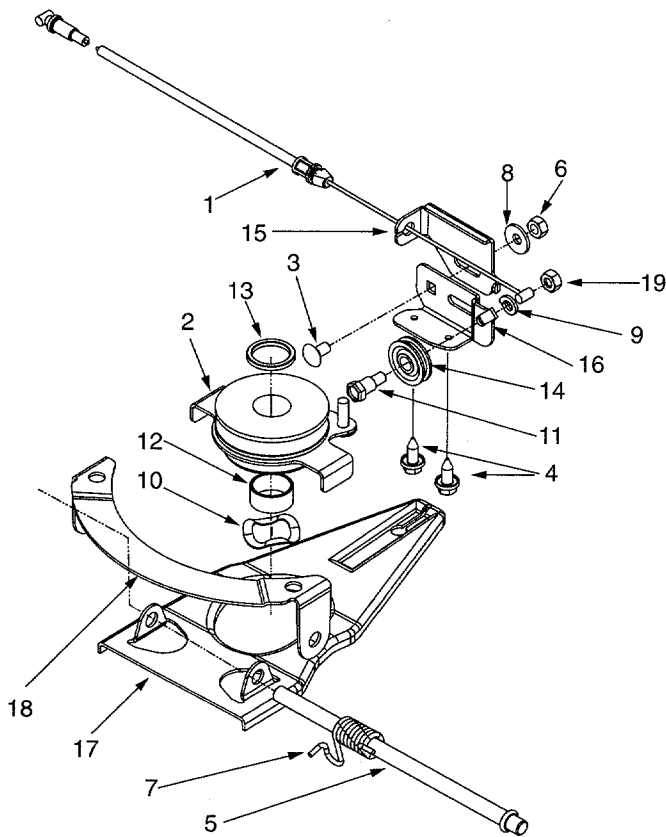
(Table continued on next page)

CRAFTSMAN 6 H.P. LAWN MOWER MODEL 247.370330

(Table continued from previous page)

Key No.	Part No.	Description	Key No.	Part No.	Description
63.	731-0981A	Hub Cap Radial	73.	748-0377B	Blade Adapter
64.	748-0381	Pawl RH	74.	731-1833	Mulching Cover
65.	748-0188B	Pawl LH(not shown)	75.	731-1832	Side Discharge Chute
66.	738-0137A	Shoulder Screw	76.	710-1237	Hex Scr. Slit. Wash. .620
67.	712-0414	Weld Nut	77.	751B213146	Casing Clamp, Throttle
68.	16855	Ratchet Pawl Plate	78.	J-19LM (Champion)	Spark Plug
69.	10622B	Ratchet Spring	79.	143.976006	Engine
70.	710-1257	Hex Bolt	80.	754-0460	Drive Belt
71.	736-0524A	Blade Bell Support	--	770-0753M	Owner's Manual (not shown)
72.	742-0741	Mulching Blade			

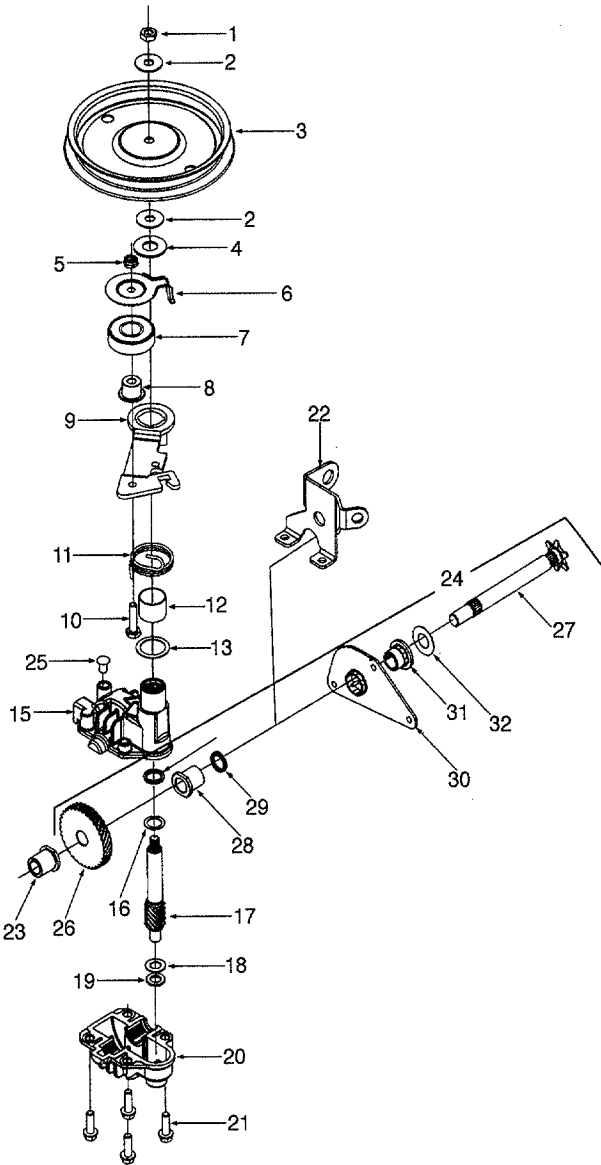
Six-Speed Pulley Assembly



Key No.	Part No.	Description
1.	746-0939	Six-Speed Cable
2.	656-0613	Pulley Ass'y. Multi Speed
3.	710-0167	Carr. Scr. 1/4-20 x .50
4.	710-0896	Scr. AB 1/4-14 x .625
5.	711-1114	Pivot Shaft
6.	712-0287	Nut 1/4-20
7.	732-0807	Torsion Spring
8.	736-0270	Bell Washer .265 x .75 x .062
9.	736-0329	Lock Washer 1/4 Reg. Duty
10.	736-0526	Wave Washer 1.38 x .88 x .029
11.	738-0924	Shld. Scr. .340 x .350 x 1/4-20
12.	750-1070	Slev. Spacer .88 I.D. x 1 O.D. x .48
13.	750-1071	Slev. Spacer .88 I.D. x 1.13 O.D. x .12
14.	756-0625	Roller Cable
15.	782-7574	6-Spd. Cable Adj. Brkt.
16.	782-7575	6-Spd. Cable Mtg. Brkt.
17.	782-7596	6-Spd. Control Arm
18.	782-7597	6-Spd. Pivot Brkt.
19.	712-0138	Hex Nut 1/4-28

CRAFTSMAN 6 H.P. LAWN MOWER MODEL 247.370330

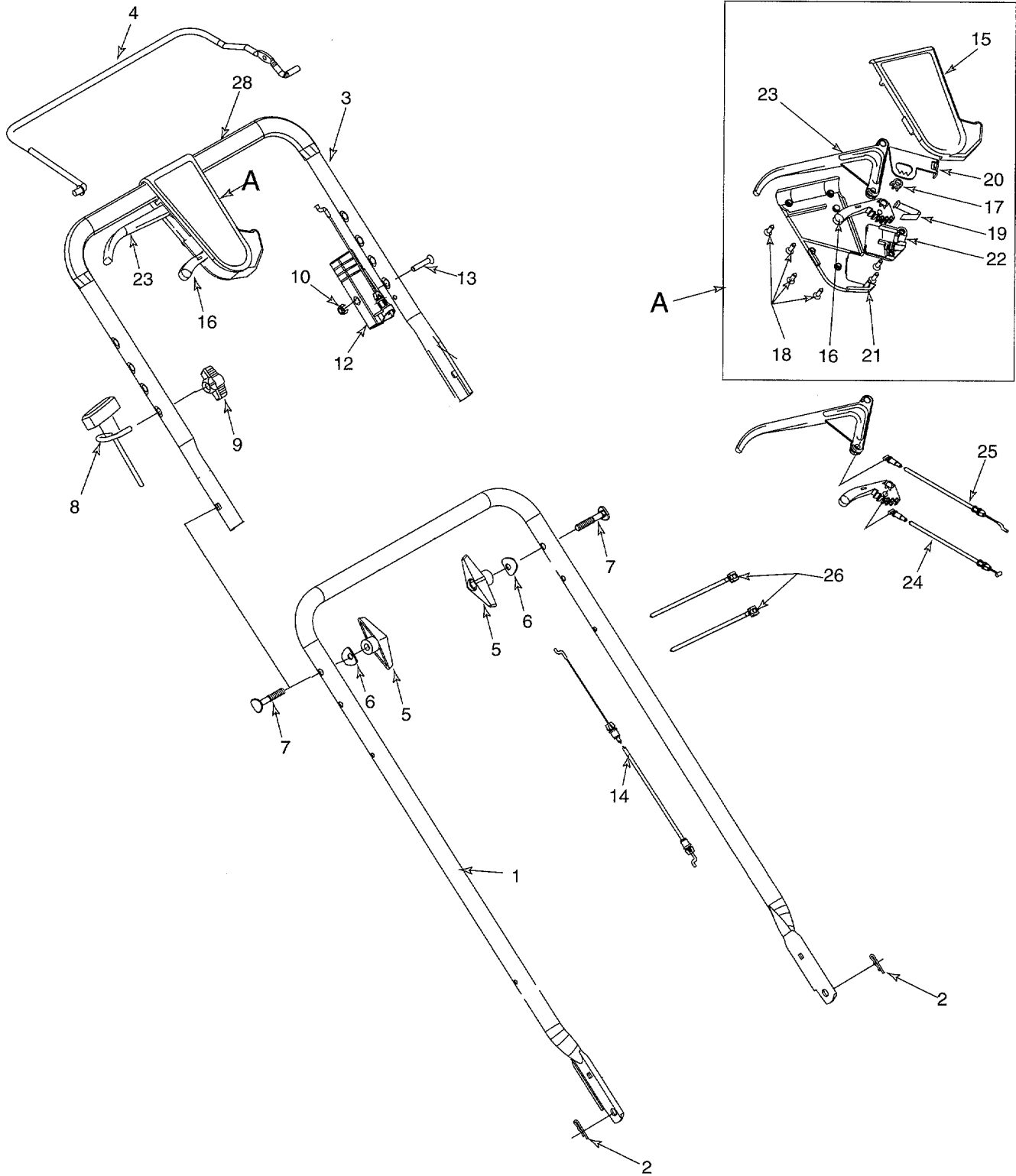
Transmission 618-0263



Key No.	Part No.	Description
1.	712-3025	Hex Jam Nut 5/16 - 24
2.	736-0425	Bell Washer .325 x .930 x .045
3.	756-0656	Pulley
4.	736-3084	Flat Washer .510 x 1.10 x .060
5.	712-0896	Hex Lock Nut 1/4 - 28
6.	782-7598	Belt Keeper
7.	741-0600	Bearing
8.	750-1050	Flange Spacer
9.	682-0027	Idler Bracket Assembly.
10.	710-0299	Hex. Cap Scr. 1/4-28 x 1.00 Gr. 5
11.	732-0811	Torsion Spring
12.	741-0682	Bearing Sleeve
13.	736-0570	Flat Washer .855 x 1.250 x .030
14.	721-0329	Oil Seal
15.	618-0253	Upper Housing Assembly.
16.	736-0520	Flat Washer .504 x .700 x .030
17.	717-1468	Pinion Shaft 10T
18.	736-0314	Thrust Washer .382 I.D. x .684 O.D.
19.	736-0569	Thrust Washer .388 x .625 x .062
20.	618-0252	Lower Housing Ass'y.
21.	710-0642	Hex Scr.TT 1/4-20 x .75
22.	782-7601	Cable Bracket
23.	741-0674	Flange Bearing
24.	611-0066	Shaft Assembly.
25.	721-0325	Plug
26.	717-1469	Gear 34T.
27.	711-1168	Output Shaft 6T.
28.	741-0673	Flange Bearing
29.	721-0329	Oil Seal
30.	782-7595	Pivot Bracket
31.	741-0324	Flange Bearing
32.	736-0369	Fl. Wash. .508 I.D. x 1 O.D. x .020

CRAFTSMAN 6 H.P. LAWN MOWER MODEL 247.370330

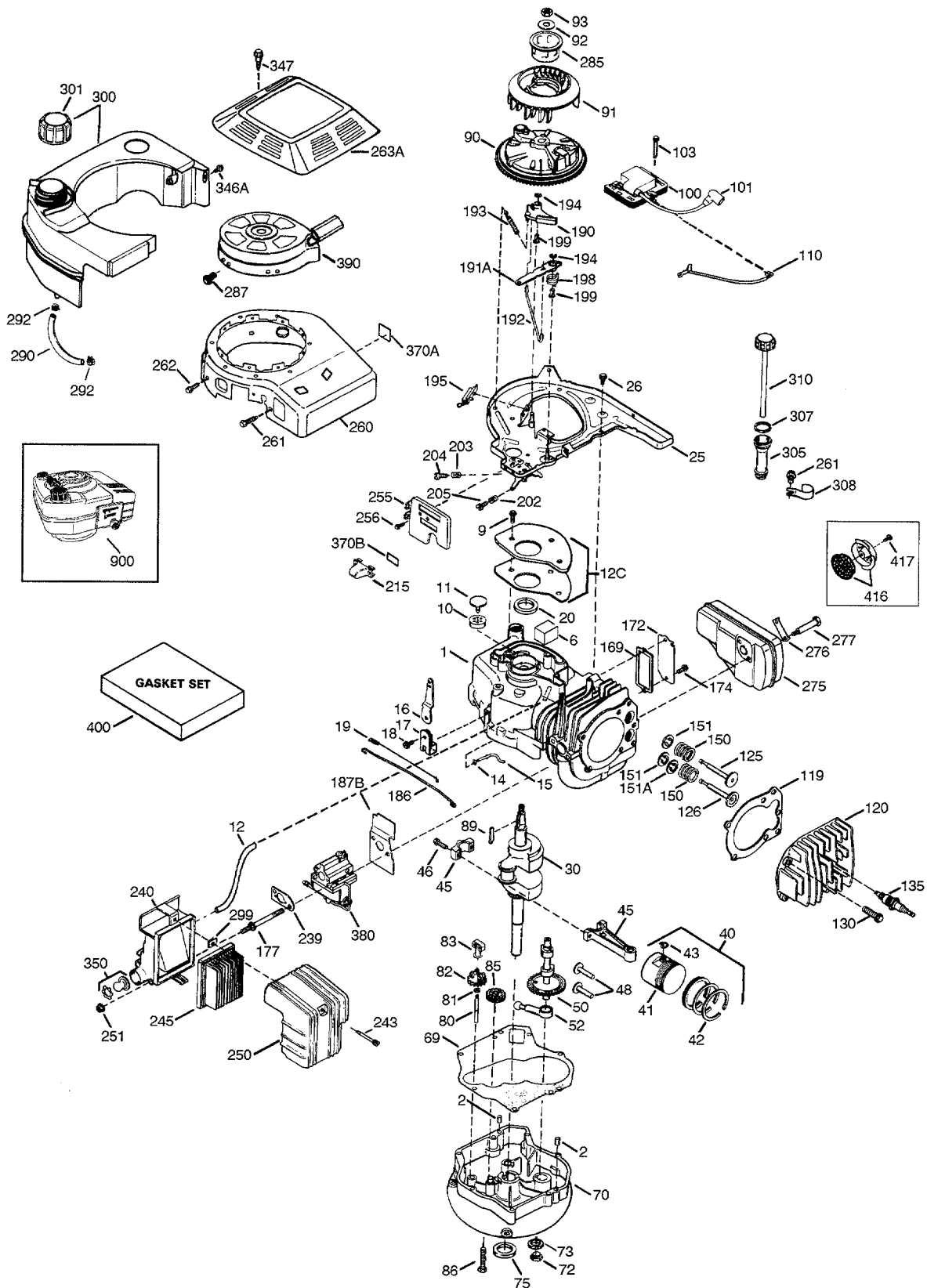
Handle Assembly



CRAFTSMAN 6 H.P. LAWN MOWER MODEL 247.370330

Key No.	Part No.	Description	Key No.	Part No.	Description
1.	749-0907	Lower Handle	15.	731-0904	Six-Spd. Control Hsg., Upper
2.	714-0104	Hairpin Clip	16.	731-0924	Shift Lever
3.	749-0439B	Upper Handle	17.	713-0397	Rack Gear Insert, 3T
4.	747-0824	Control Handle	18.	710-0841	C-Sunk Screw AB 10-12 x .75 thd.
5.	720-0241	Handle Knob	19.	732-0627	Six-Spd. Shift Lever Spring
6.	736-0451	Saddle Washer	20.	16864	Six-Spd. Rack Cable Bracket
7.	710-1174	Carriage Screw	21.	731-0905	Six-Spd. Control Hsg., Lower
8.	710-1205	Rope Guide	22.	731-0906	Six-Spd. Cable Mtg. Cap
9.	720-0279	Wing Nut	23.	731-0620	Control Drive Lever
10.	712-0324	Hex Lock Nut 1/4-20 Thd.	24.	746-0939	Six-Spd. Cable 53"
12.	746-0883	Control Cable Box	25.	746-0710A	Self-Propelled Adj. Cable 48"
13.	710-1270	Oval C-Sunk Screw	26.	726-0240	Cable Tie
14.	746-0922	Control Cable 60"			

CRAFTSMAN ENGINE MODEL 143.976006 FOR CRAFTSMAN 6 H.P. LAWN MOWER MODEL 247.370330



**CRAFTSMAN ENGINE MODEL 143.976006 FOR
CRAFTSMAN 6 H.P. LAWN MOWER MODEL 247.370330**

Key No.	Part No.	Description	Key No.	Part No.	Description
--	--	RPM High 3100 To 3400	52	29914	Oil Pump Ass'y.
--	--	RPM Low 2000 To 2300	69	36032A	Mounting Flange Gasket
1	36177	Cylinder	70	37026	Mounting Flange
2	27652	Dowel Pin	72	30572	Oil Drain Plug
6	36059	Breather Element	73	28833	Drain Plug Gasket
9	590568	Screw, 10-24 X 3/4"	75	36010	Oil Seal
10	36002	Breather Valve Body	80	30574A	Governor Shaft
11	36003	Check Valve	81	30590A	Washer
12	32447	Breather Tube	82	30591	Governor Gear Ass'y.
12C	36005A	Breather Cover & Gasket	83	36057	Governor Spool
14	28277	Washer	85	36034	Idler Gear
15	36006	Governor Rod (Machined)	86	650924	Screw, 1/4-20 X 1-9/16"
16	36008	Governor Lever	89	611154	Flywheel Key
17	31335	Governor Lever Clamp	90	611155	Flywheel
18	651018	Screw, Torx T-15, 8-32 X 19/64"	91	611156	Flywheel Fan
19	36082	Governor Spring	92	650815	Belleville Washer
20	36010	Oil Seal	93	650816	Flywheel Nut
25	36011	Blower Housing Baffle	100	34443A	Solid State Ignition
26	650802	Screw, 1/4-20 X 5/8"	101	610118	Spark Plug Cover
30	37025	Crankshaft	103	651007	Screw, Torx T-15, 10-24 X 15/16
40	36073	Piston, Pin, Ring Set (Std.)	110	36054	Ground Wire
	36074	Piston, Pin, Ring Set (.010 OS)	119	36061	Cylinder Head Gasket
	36075	Piston, Pin, Ring Set (.020 OS)	120	36120A	Cylinder Head
41	36070	Piston & Pin Ass'y. (Std.)	125	36471	Exhaust Valve (Std.)
	36071	Piston & Pin Ass'y. (.010 OS)		36472	Exhaust Valve (1/32" OS)
	36072	Piston & Pin Ass'y. (.020 OS)	126	29314B	Intake Valve(Std.)
42	36076	Ring Set (std.)		29315C	Intake Valve (1/32" OS)
	36077	Ring Set(.010 OS.)			
	36078	Ring Set(.020 OS)			
43	20381	Piston Pin Retaining Ring	130	6021A	Screw, 5/16-18 X 1-1/2"
45	36023A	Connecting Rod Ass'y.	135	35395	Resistor Spark Plug (RJ19LM)
46	32610A	Connecting Rod Bolt	150	31672	Valve Spring
48	36030	Valve Lifter	151	31673	Lower Valve Spring Cap
50	36031A	Camshaft (MCR)	151A	40016	Intake Valve Seal

**CRAFTSMAN ENGINE MODEL 143.976006 FOR
CRAFTSMAN 6 H.P. LAWN MOWER MODEL 247.370330**

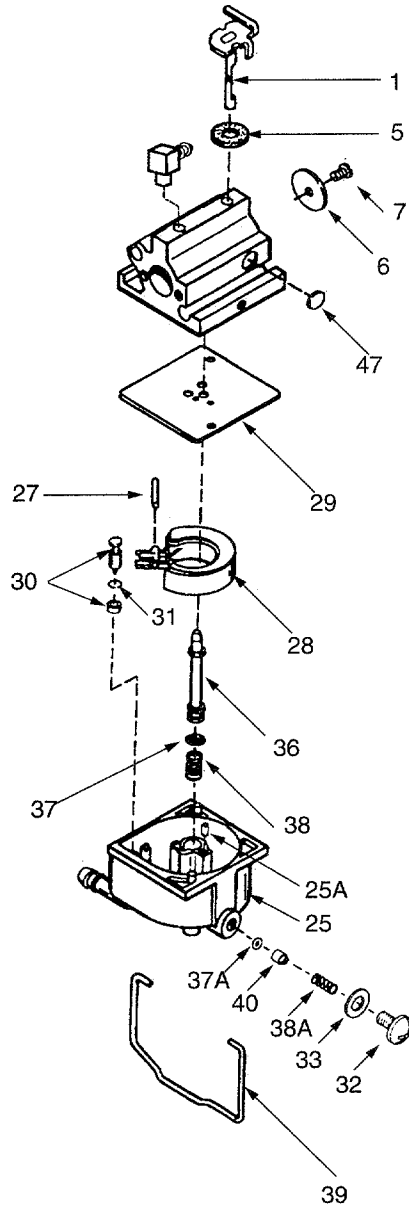
Key No.	Part No.	Description	Key No.	Part No.	Description
169	27234A	Valve Spring Box Gasket	262	650929	Screw, 1/4 - 20 X 11/16"
172	32755	Valve Spring Box Cover	263A	36156A	Starter Grill
174	30200	Screw, 10-24 X 9/16"	275	36107	Muffler
177	650925A	Carburetor Mounting Stud	276	36043	Locking Plate
186	36009	Governor Link	277	650927	Screw, 5/6 -18 X 2 - 11/32"
187B	36035	Carburetor Gasket/Air Baffle	285	34449A	Starter Cup
190	36013	Brake Lever Ass'y.	287	650926	Screw, 8 - 32 X 21/64"
191A	36012	Brake Control Lever	290	34357	Fuel Line
192	36016	Brake Control Lever Link	292	26460	Fuel Line Clamp
193	36015	Brake Spring	299	650900	U Type Nut Clip
194	36014	Retaining Ring	300	36066	Fuel Tank
195	610973	Terminal Ass'y.	301	35355	Fuel Cap
198	36017	Brake Control Lever Spring	305	36063	Oil Fill Tube
199	36018	Brake Lever Bushing	307	35499	O Ring
202	36482	Compression Spring	308	36040	Fill Tube Clip
203	31342	Compression Spring	310	36147	Dipstick
204	651029	Screw, Torx T-10, 5-40 X 7/16"	346A	28763	Screw, 10-32 X 35/64"
205	651030	Screw, Torx T-10, 6-32 X 17/32"	347	650898A	Screw, 10-32 X 27/32"
215	36051	Control Knob	350	36045	Primer
239	36048	Carburetor To Air Cleaner Gasket	370A	36261	Lubrication Decal
240	36044B	Air Cleaner Body	370B	36155	Control Decal
243	650899	Screw, 10-32 X 2-3/32	380	632671A	Carburetor
245	36046	Air Cleaner Filter	390	590702*	Rewind Starter
250	36154	Air Cleaner Cover	400	36062C**	Gasket Set
251	650928	Lock Nut 1/4 - 20	416	36085	Spark Arrester Kit (Optional)
255	36110	Control Plate	417	650760	Screw, 8-32 X 3/8' (Optional)
256	650983	Screw, 8-32 X 21/64"	900		Replacement Engine: None
260	36153	Blower Housing	900		Replacement S/B 750804, Order from 71-999
261	650737	Screw, 1/4-20 X 1/2"			

* Note: This engine may have been built with 590739 Starter.

** Includes part numbers 27234A, 28833, 36005A, 36032A, 36035, 36048, 36061, 36183, 696088.

**CRAFTSMAN ENGINE MODEL 143.976006 FOR
CRAFTSMAN 6 H.P. LAWN MOWER MODEL 247.370330**

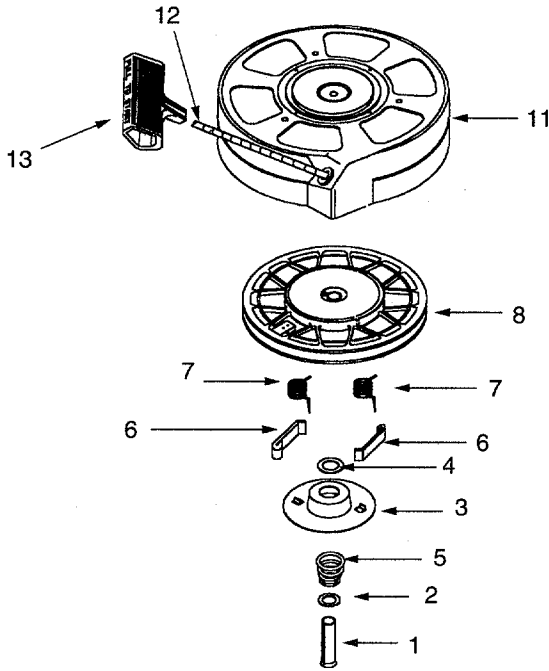
Carburetor 632671A



Key No.	Part No.	Description
--	632671A	Carburetor
1	632539	Throttle Shaft & Lever Ass'y.
5	632593	Dust Seal
6	632541	Throttle Shutter
7	650506	Throttle Shutter Screw
25	632675	Float Bowl
25A	632701	Idle Restrictor
27	632544	Float Shaft
28	632543	Float
29	632548	Float Bowl To Body Gasket
30	632551	Inlet Needle, Seat & Seat Retainer
31	632637	Seat Retainer
32	632672	Bowl Drain Screw
33	632673	Bowl Drain Washer
36	632674	Main Nozzle Tube
37	632547	O Ring, Main Nozzle Tube
37A	632547	O Ring
38	632545	Spring, Main Nozzle Tube
38A	632545	Spring
39	632549	Float Bowl Retainer
40	632676	Main Fuel Jet
47	632554	Welch Plug, Idle Mixing Well

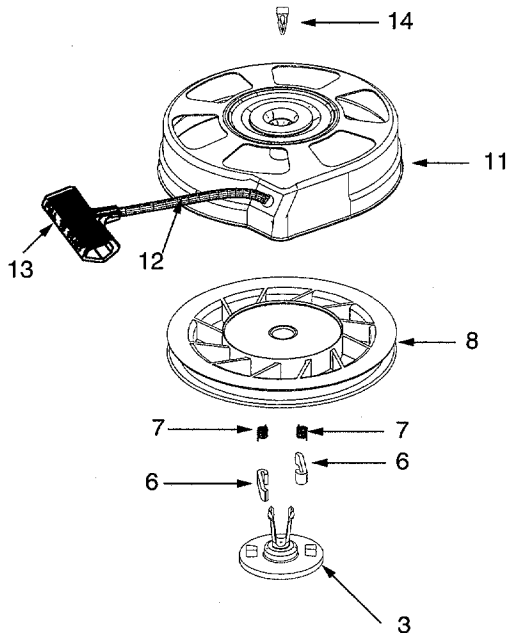
**CRAFTSMAN ENGINE MODEL 143.976006 FOR
CRAFTSMAN 6 H.P. LAWN MOWER MODEL 247.370330**

Recoil Starter 590702



Key No.	Part No.	Description
--	590702	Recoil Starter
1	590599A	Spring Pin
2	590600	Washer
3	590696	Retainer
4	590601	Washer
5	590697	Brake Spring
6	590698	Starter Dog
7	590699	Dog Spring
8	590700	Pulley & Rewind Spring Ass'y.
11	590703	Starter Housing Ass'y. (40 degree grommet)
12	590535	Starter Rope (98" x 9/64" dia.)
13	590701	Starter Handle

Recoil Starter 590739



Key No.	Part No.	Description
--	590739	Rewind Starter
3	590740	Retainer
6	590616	Starter Dog
7	590617	Dog Spring
8	590618A	Pulley & Rewind Spring Ass'y.
11	590638	Starter Housing Ass'y (40 Degree Grommet)
12	590535	Starter Rope (98" X 9/64")
13	590701	Starter Handle
14	590741	Locking Tab

MANUAL DEL PROPIETARIO

CRAFTSMAN®

Motor posterior de seis velocidades
Acolchadora/Descarga lateral, de 21"

CORTADORA DE CESPED AUTOPROPULSADA

Modelo No.
247.370330



PRECAUCION: Antes de operar este equipo lea y observe todas las Reglas de Seguridad e Instrucciones de Seguridad

Sears, Roebuck y Co., Hoffman Estates, IL 60179 EE.UU.

TABLA DE CONTENIDO

Contenido	Página	Contenido	Página
Información de Garantía	2	Mantenimiento	12
Prácticas seguras de operación	3	Servicio y Ajuste	15
Indicador de pendiente	6	Almacenamiento de fuera de temporada	19
Ensamblado	7	Localización de fallas	21
Operación	9		

INFORMACION DE GARANTIA

Garantía por dos años para la cortadora de césped Craftsman

Por dos años desde la fecha de compra cuando esta cortadora de césped sea mantenida, lubricada y puesta a punto de acuerdo con las instrucciones en el manual del propietario, Sears reparará libre de costo cualquier defecto de material o de mano de obra. Esta garantía se aplica por 90 días solamente a partir de la fecha de compra, si la cortadora de césped se usa para fines comerciales o de alquiler.

Esta garantía no cubre:

1. Artículos descartables que se desgastan durante el uso normal, tales como las cuchillas giratorias de la cortadora, adaptadores de las cuchillas, correas, filtros de aire y la bujía.
2. Reparaciones necesarias a causa de abuso o negligencia del operador, incluyendo cigüeñales doblados y la falla en mantener el equipo de acuerdo con las instrucciones contenidas en el manual del propietario.

EL SERVICIO DE GARANTIA ESTA DISPONIBLE MEDIANTE LA DEVOLUCION DE LA CORTADORA DE CESPED CRAFTSMAN AL CENTRO DE SERVICIO DE SEARS MAS CERCANO EN LOS ESTADOS UNIDOS. ESTA GARANTIA SE APLICA MIENTRAS ESTE PRODUCTO ESTE EN USO EN LOS ESTADOS UNIDOS SOLAMENTE.

Esta garantía le otorga derechos legales específicos y usted puede también tener otros derechos que varían de Estado a Estado.

Sears, Roebuck y Co. D/817WA, Hoffman States, IL 60179

ACCESORIOS

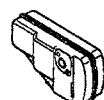
Estos accesorios estaban disponibles cuando la cortadora de césped se compró. Están también disponibles en la mayoría de las tiendas minoristas y centros de servicio de Sears. La mayoría de las tiendas de Sears pueden ordenar esas piezas de repuesto para usted con el número de modelo de su cortadora de césped.



Filtro de aire



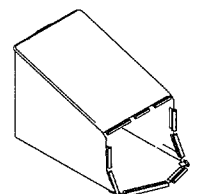
Bujía



Silenciador



Ruedas



Colector de césped



Aceite de motor



Estabilizador



Recipiente de gasolina



Gafas de seguridad



Cuchilla

ESPECIFICACIONES DEL PRODUCTO	
Caballos de fuerza:	6 H.P.
Aceite de motor:	27 oz. de aceite SAE 30
Capacidad de combustible:	1.5 cuartos sin plomo
Bujía:	J-19LM (Champion)
Separación de la bujía:	0.030 pulgadas

Por favor registre el número de modelo, número de serie y fecha de compra aquí para referencia futura. Usted encontrará esta información en la placa de modelo ubicada en la plataforma de corte de su cortadora.

Número de Modelo

Número de Serie

Fecha de Compra.....

PRACTICAS SEGURAS DE OPERACION



Este símbolo señala instrucciones importantes de seguridad las cuales, si no se observan, podrían poner en peligro la seguridad personal y/o su propiedad y la de otras personas. Lea y observe todas las instrucciones de este manual antes de intentar operar su cortadora de césped. La falla en cumplir con estas instrucciones puede resultar en lesiones personales. Cuando vea este símbolo- **obedezca su advertencia.**



PELIGRO:

Su cortadora de césped fue fabricada para operarse de acuerdo con **las reglas para una operación segura de este manual.** Al igual que con cualquier tipo de equipo motorizado, la falta de cuidado o error de parte del operador puede resultar en lesiones graves. **La falla de observar las instrucciones siguientes de seguridad podría resultar en lesiones graves o en la muerte**



ADVERTENCIA: Esta unidad está equipada con un motor de combustión interna y no debe usarse en o cerca de tierras no mejoradas cubiertas de bosques, matorrales, y/o hierbas, a menos que el sistema de escape esté equipado con un supresor de chispas que cumpla con las leyes del estado o federales aplicables (de existir), si se usa un supresor de chispas debe ser mantenido en buenas condiciones de trabajo por el operador.

En el Estado de California es requerido por ley (Sección 4442 del Código de Recursos Públicos de California) lo indicado arriba. Otros Estados pueden tener leyes similares. Las leyes federales se aplican en las tierras federales. Está disponible un supresor de chispas para el silenciador en su centro de servicio autorizado Sears más cercano (vea la sección de PIEZAS DE REPUESTO de este manual).



ADVERTENCIA: El escape del motor de este producto contiene sustancias química conocidas en el Estado de California como causantes de cáncer, defectos de nacimiento u otros perjuicios reproductores.

OPERACION GENERAL

- Lea cuidadosamente esta guía del propietario en su totalidad antes de intentar armar esta máquina. Lea, comprenda y observe todas las instrucciones en la máquina y en el manual(es) antes de la operación. Guarde este manual en un lugar seguro para referencia futura y regular y para ordenar piezas de repuesto.
- Su cortadora giratoria es una pieza de precisión de equipo motorizado y no un juguete. Por consiguiente ejerza una precaución extrema en todo momento. Su unidad ha sido diseñada para desempeñar una tarea: cortar el césped. No la use para ningún otro fin.
- Nunca permita que niños menores de 14 años operen la unidad. Los niños de 14 años de edad y mayores deben operar solamente bajo una supervisión paterna estrecha. Debe permitirse operar la unidad a individuos responsables que estén familiarizados con estas reglas de operación segura solamente.
- Mantenga el área de operación despejada de todas las personas, particularmente niños pequeños y animales domésticos. Apague el motor cuando están cerca de su cortadora para ayudar a prevenir lesiones por el contacto con la cuchilla o por objetos despedidos. A pesar que el área de operación debe estar completamente despejada de objetos extraños, puede haberse descuidado un objeto el que puede ser accidentalmente despedido en cualquier dirección por la cortadora y causar lesiones personales graves al operador o a otras personas permitidas en el área.
- Inspeccione completamente el área donde se usará el equipo. Retire todas las piedras, palos, alambre, huesos, juguetes y otros objetos extraños que pueden ser tomados y despedidos en cualquier dirección por la cortadora y causar lesiones personales graves al operador o a otras personas permitidas en el área. Programe su patrón de corte para evitar la descarga de material hacia los caminos, aceras, espectadores y otros. Mantenga a los niños, espectadores y ayudantes a 75 pies de distancia por lo menos de la cortadora mientras está en operación, para ayudar a evitar lesiones por objetos despedidos.
- Use siempre lentes de seguridad o antiparras de seguridad, durante la operación y al efectuar ajustes o reparaciones, para proteger los ojos contra objetos extraños que pueden ser despedidos por la máquina en cualquier dirección.
- Use zapatos de trabajo resistentes, de suela áspera y pantalones y camisa ajustadas. Se recomiendan camisas y pantalones que cubran los brazos y las piernas y zapatos de puntera de acero. No use ropas holgadas ni joyas y sujete el cabello para que esté por encima de los hombros. Pueden quedar atrapadas en las piezas móviles. Nunca opere una unidad con los pies descalzos, sandalias o zapatos resbalosos o livianos (por ej. de lona).
- No coloque sus manos o ninguna parte de su cuerpo o ropas cerca de o debajo de piezas giratorias. Manténgase alejado en todo momento de la abertura de descarga ya que la hélice giratoria puede causar lesiones graves.
- Muchas lesiones ocurren como resultado de que la cortadora es empujada sobre el pie durante una caída. No se sujete a la cortadora si se está cayendo; suelte inmediatamente el mango.

- Nunca empuje la cortadora hacia usted mientras esté caminando. Si usted debe hacer retroceder la cortadora de una pared u obstrucción primero mire hacia abajo y detrás y a continuación siga estos pasos
 - a. Retroceda desde la cortadora para extender completamente sus brazos.
 - b. Asegúrese que se mantenga en equilibrio y firmemente parado.
 - c. Tire lentamente de la cortadora hacia atrás, no más que a medio camino hacia usted.
 - d. Repita esos pasos según sea requerido.
- No opere la unidad mientras está bajo la influencia del alcohol o las drogas.
- Mientras arranca el motor, no enganche el mecanismo autopulsado de tenerlo.
- El mango de control de la cuchilla es un mecanismo de seguridad. Nunca trate de sobrepasar su operación. El hacerlo inhabilita el mecanismo de operación y puede resultar en lesiones personales a través del contacto con la cuchilla giratoria. El mango de control de la cuchilla debe operar fácilmente en ambas direcciones y retornar automáticamente a la posición desenganchada cuando se suelta.
- Nunca opere la cortadora en césped mojado. Asegúrese siempre de estar firmemente parado. Un resbalón y una caída puede causar lesiones personales graves. Sujete firmemente el mango y camine, nunca corra. Si siente que está cayendo, **SUELTE INMEDIATAMENTE EL MANGO DE CONTROL DE LA CUCHILLA** y la cuchilla detendrá su giro en tres segundos.
- Corte a la luz del día o bajo una buena luz artificial solamente.
- Detenga la cuchilla al cruzar caminos particulares, senderos o caminos cubiertos con pedregullo.
- Si el equipo comienza a vibrar anormalmente detenga el motor e inspeccione inmediatamente por la causa. La vibración es generalmente una advertencia de problemas.
- Apague el motor y espere hasta que la hélice se detenga completamente antes de retirar la bolsa de césped o destapar la canaleta. La hélice continúa girando durante unos segundos después de apagar el motor. Nunca coloque ninguna parte del cuerpo en el área de la hélice hasta que esté seguro que la hélice ha detenido su giro.
- Nunca opere la cortadora sin que las guardas adecuadas, bolsa de césped, placas u otros mecanismos protectores de seguridad
 - estén en su lugar.
 - El silenciador y el motor se calientan y pueden causar quemaduras. No los toque.
 - Use accesorios aprobados para esta máquina por el fabricante solamente. Lea, comprenda y observe todas las instrucciones provistas con el accesorio aprobado.
 - Ejerza cuidado y buen juicio si ocurrieran situaciones que no están cubiertas en este manual. Contacte a su vendedor por asistencia.

OPERACION EN PENDIENTE

Para su seguridad, use el inclinador de pendiente incluido como parte de este manual para medir pendientes antes de operar esta unidad en una pendiente o área empinada. Si la pendiente es mayor que 15 grados según se muestra en el indicador de pendiente (pág.6), no opere esta unidad en esa área ya que podría resultar en lesiones graves.

HAGA LO SIGUIENTE:

- Corte a través de la superficie de las pendientes; nunca hacia arriba o hacia abajo. Sea muy precavido al cambiar dirección sobre las pendientes.
- Observe por pozos, surcos, objetos ocultos o elevaciones. El césped alto puede ocultar obstáculos.
- Siempre asegúrese de pararse firmemente. Un resbalón y caída pueden causar lesiones personales graves. Si usted siente que está perdiendo el equilibrio suelte el mango de control de la cuchilla inmediatamente y la cuchilla se detendrá en menos de 3 segundos.
- **EN LOS MODELOS CON RUEDAS DE METAL FORJADO:** Calce ambas ruedas delanteras de manera que no pivoteen mientras corta sobre la superficie de las pendientes. Para girar la cortadora empuje el mango hacia abajo y levante ligeramente las ruedas delanteras.

NO HAGA LO SIGUIENTE:

- No corte cerca de caídas verticales, zanjas o terraplenes. El operador puede perder pie o perder el equilibrio.
- No corte en pendientes mayores de 15 grados según indicado en el indicador de pendientes.
- No corte sobre césped mojado. El pararse con una firmeza menor puede causar un resbalón.
- **EN LOS MODELOS CON RUEDAS DE METAL FORJADO:** No corte sobre pendientes con las ruedas sin calzar ya que la cortadora tiene una tendencia a moverse baranca abajo.

NIÑOS

Pueden ocurrir accidentes trágicos si el operador no está alerta a la presencia de niños pequeños. Los niños se sienten atraídos a menudo a la actividad de corte. Nunca suponga que los niños permanecerán donde usted los vio por última vez.

- Mantenga a los niños fuera del área de corte y bajo los ojos vigilantes de un adulto responsable que no sea el operador.
- Esté alerta y apague la cortadora si un niño entra al área.
- Antes y mientras retrocede, mire detrás y hacia abajo por niños pequeños u otros objetos.
- Nunca permita que niños menores de 14 años de edad operen la cortadora. Los niños de 14 años de edad y mayores deben leer y comprender las instrucciones de operación y reglas de seguridad en este manual.
- Sea muy precavido al aproximarse a esquinas ciegas, arbustos, árboles u otros objetos que pueden oscurecer su visión de un niño o riesgo.

SERVICIO

- Sea muy precavido al usar gasolina y otros combustibles. Los mismos son extremadamente inflamables y los vapores son explosivos.
- Use un recipiente aprobado de gasolina solamente.
- Nunca retire la tapa de gasolina ni vierta combustible mientras el motor está funcionando. Permita que el motor se enfríe por dos minutos por lo menos antes de cargar combustible.

- Vuelva a colocar firmemente la tapa de gasolina y limpie la gasolina derramada antes de arrancar el motor, ya que puede causar un incendio o explosión.
- Apague todos los cigarrillos, cigarros, pipas y otras fuentes de encendido.
- Nunca cargue combustible a la unidad bajo techo ya que los vapores inflamables se acumularán en el área.
- Nunca almacene la máquina ni el recipiente de combustible bajo techo donde haya llamas expuestas o chispas, tales como calentadores de agua caliente a gas, secadora de ropas o caldera.
- Nunca haga funcionar su máquina en un área cerrada.
- Para reducir el riesgo de incendio, mantenga la cortadora libre de hojas, grama, y otras acumulaciones de desechos. Limpie los derrames de combustible y aceite. Permita que la cortadora se enfríe por 5 minutos por lo menos antes de guardarla.
- Asegúrese que la cuchilla y todas las piezas móviles estén detenidas, antes de limpiar, reparar o inspeccionar. Desconecte el cable de la bujía y mantenga el cable alejado de la bujía para prevenir el arranque accidental.
- Inspeccione los pernos de montaje de la cuchilla y del motor a intervalos frecuentes por un ajuste adecuado. También, inspeccione visualmente la cuchilla por daños (por ej. doblada, agrietada o gastada). Reemplace con una cuchilla que cumpla con las especificaciones del equipo original listadas en este manual.
- Mantenga todas las tuercas, pernos y tornillos bien ajustados para asegurarse que el equipo esté en buenas condiciones de trabajo.
- Nunca manipule los mecanismos de seguridad. Inspeccione regularmente su operación apropiada.
- Después de golpear un objeto extraño, apague inmediatamente el motor, desconecte el cable de la bujía de la bujía, e inspeccione completamente la unidad por daños. Repare el daño antes de arrancar y operar la cortadora.
- Nunca intente efectuar un ajuste de la rueda o altura de corte mientras el motor esté funcionando.
- Los componentes de la bolsa de césped están sujetos a daños y deterioración por desgaste, lo que puede exponer las piezas móviles o permitir que los objetos sean despedidos. Inspeccione frecuentemente los componentes y reemplace con las piezas recomendadas por el fabricante, cuando sea necesario, para protección de seguridad.
- Las cuchillas de la cortadora son afiladas y pueden cortar. Al prestar servicio envuelva la cuchilla(s) o use guantes y sea muy precavido.
- No cambie la graduación del regulador del motor ni acelere en exceso el motor. Las velocidades excesivas del motor son peligrosas.

SU RESPONSABILIDAD



Restrinja el uso de esta máquina motorizada a las personas que lean, comprendan y siguen las advertencias e instrucciones en este manual y en la máquina.

Las siguientes son representaciones de los rótulos de seguridad en su cortadora. Mantenga la seguridad mientras opera la cortadora. Al volver a ordenar los rótulos de seguridad, por favor tenga listo el número de pieza.

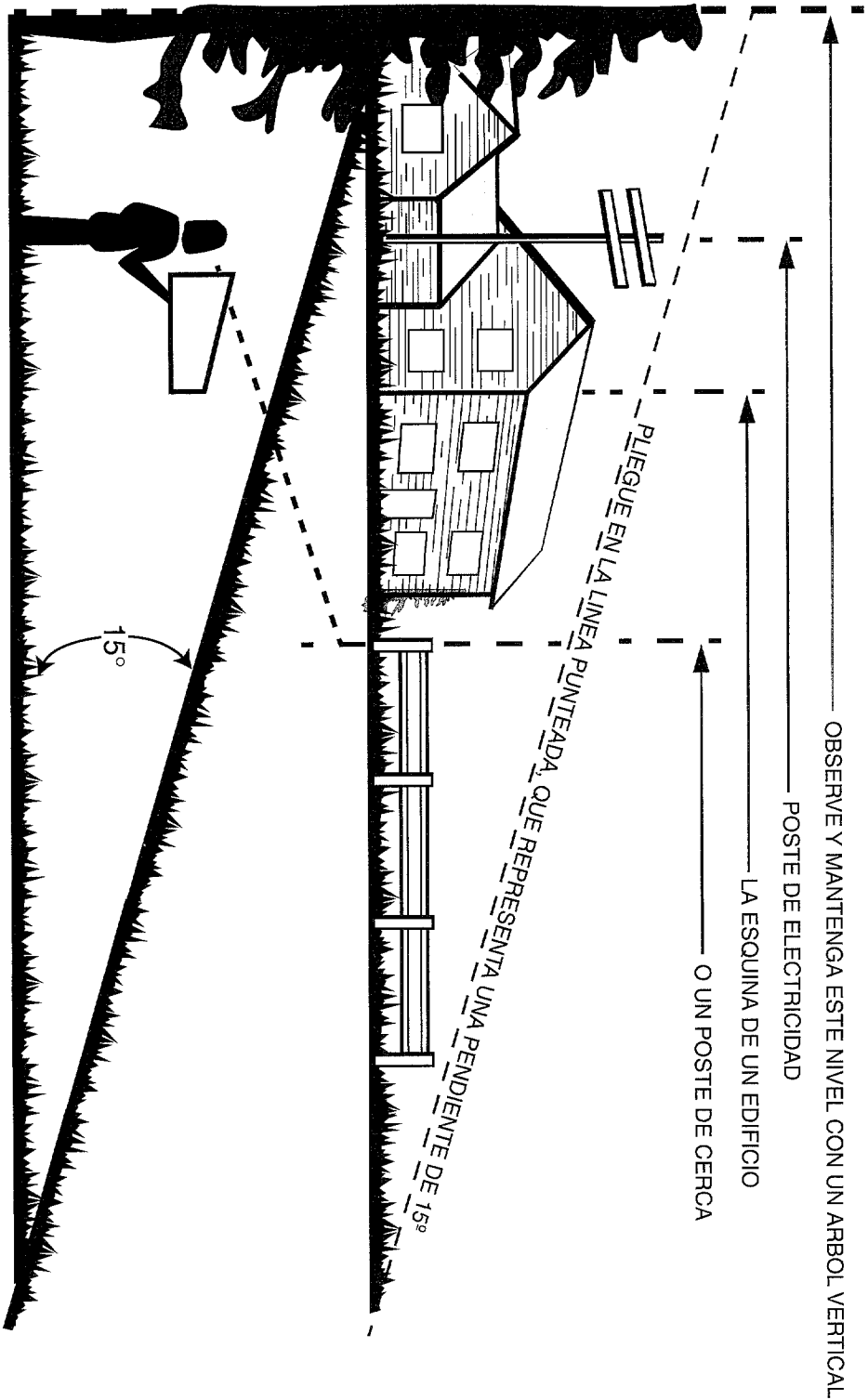


GUARDE ESTAS INSTRUCCIONES PARA REFERENCIA FUTURA



INDICADOR DE PENDIENTE

USE ESTA PAGINA COMO UNA GUIA PARA DETERMINAR PENDIENTES DONDE USTED NO PUEDE OPERAR CON SEGURIDAD:



ADVERTENCIA

No corte en terrenos inclinados con una pendiente mayor de 15 grados (una elevación de 2-1/2 pies cada 10 pies aproximadamente). Una cortadora con el operador montado podría volcar y causar lesiones graves. Si opera una cortadora de empuje en tal pendiente, es extremadamente difícil mantenerse firmemente parado y usted puede resbalar resultando en lesiones graves. Opere las cortadoras con el OPERADOR MONTADO hacia arriba y abajo de las pendientes, nunca a través de la superficie de las mismas. Opere las cortadoras de EMPUJE a través de las superficies de las pendientes, nunca hacia arriba y abajo de las mismas.

ENSAMBLADO

EXTRACCION DE LA UNIDAD DE LA CAJA

- Para abrir la caja extraiga los broches, rompa la goma en las aletas superiores o corte la cinta al extremo de la caja y pele a lo largo de la aleta superior.
- Extraiga las piezas sueltas de estar incluidas con la unidad (por ej. manual del propietario, etc.). Vea la Figura 1.

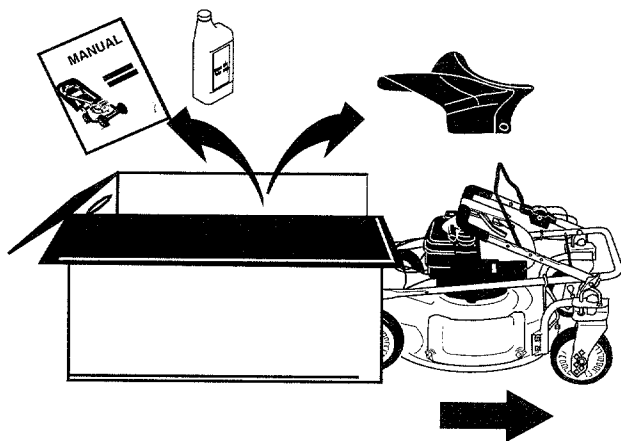


Figura 1

- Corte a lo largo de las líneas punteadas y coloque la caja plana.
- Extraiga el material de envasado.
- Ruede o deslice la unidad fuera de la caja. Inspeccione bien la caja por piezas sueltas. Vea la Figura 1.

Nota: Asegúrese de no apretar los cables al extraer las piezas sueltas o toda la unidad de la caja.

IMPORTANTE: Esta unidad se despacha **sin gasolina ni aceite en el motor**. Asegúrese de prestar servicio al motor con gasolina y aceite antes de operar su cortadora.

NOTA: Se observa desde la posición operativa la referencia al lado de mano derecha o izquierda y parte anterior o posterior de la cortadora.

PIEZAS SUELTAS

- a. Canaleta de descarga lateral
- b. Manual del propietario
- c. Una botella de aceite de motor

HERRAMIENTAS REQUERIDAS

- a. Un par de pinzas
- c. Un embudo

DESCONEXION DE LA BUJIA

- Antes de preparar su cortadora de césped desconecte el cable de la bujía de la bujía, y conéctela a tierra contra el motor. Vea la Figura 2.
- Fije la bota de goma a un perno del motor a tierra.

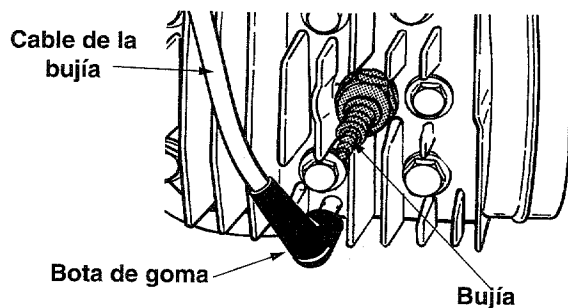
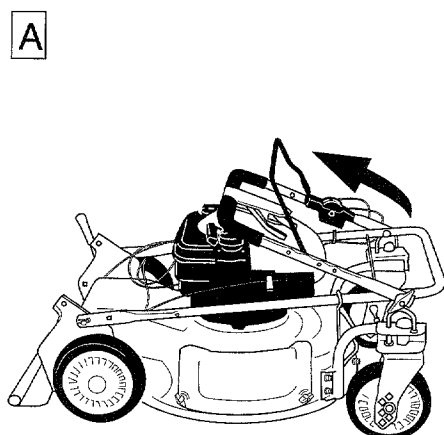


Figura 2

ENSAMBLADO DEL MANGO

- Levante el mango inferior en la dirección mostrada en la Figura 3A de manera que el mango inferior calce en su lugar.



1. Eleve el mango inferior

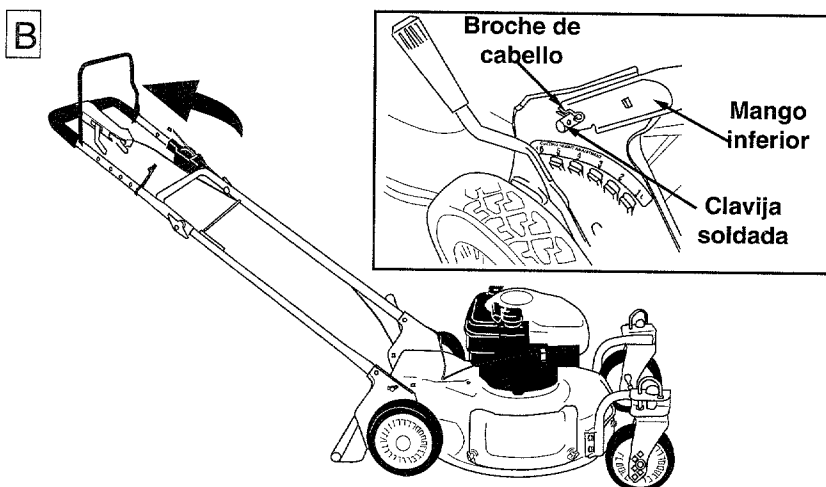


Figura 3

2. Eleve el mango superior

Nota: Asegúrese de encaminar los cables dentro del mango inferior. También no presione los cables al levantar el mango.

Para fines de transporte, el broche del cabello se coloca en el orificio exterior de la clavija soldada a cada lado del mango inferior.

- Extraiga el broche del cabello del orificio exterior de la clavija soldada.
- Usando un par de pinzas, inserte el broche del cabello dentro del orificio interior de la clavija soldada. Repita del otro lado. Vea el recuadro de la Figura 3.
- Levante el mango superior en la dirección mostrada en la Figura 3B. Ajuste las tuercas mariposa que ya están colocadas en el mango.
- Fije los cables al mango inferior con las dos amarrazas para cable ya colocadas en el mango. Tire de las amarrazas y corte el exceso.

FIJACION DE LA CUERDA DEL ARRANCADOR

La guía de la cuerda está ya fijada al lado derecho del mango superior de su cortadora. Vea la Figura 4.

- Con la bujía desconectada y conectada a tierra, mantenga el mango de control de la cuchilla contra el mango superior y tire la cuerda del arrancador fuera del motor.
- Deslice la cuerda a través de la guía de la cuerda. Ajuste la tuerca mariposa que sujeta la guía de la cuerda al mango superior.

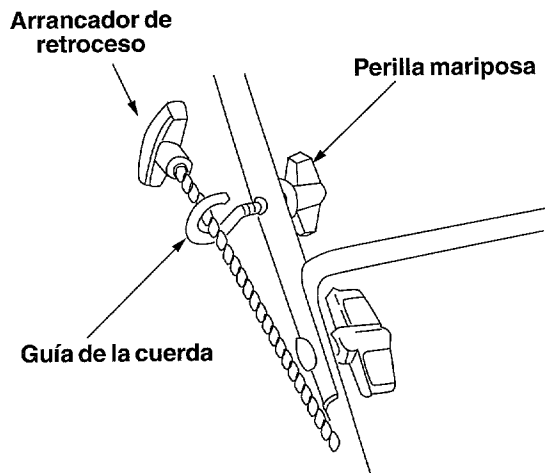


Figura 4

FIJACION DE LA CANALETA DE DESCARGA

Su cortadora fue despachada como una acolchadora. Extraiga la cubierta de acolchado y fije la canaleta de descarga lateral para descargar recortes de césped.

- Extraiga tres tuercas mariposa plásticas que fijan la cubierta de acolchado a la plataforma. Vea la Figura 5A. Mantenga la cubierta en un lugar seguro para uso futuro. Guarde las tuercas mariposa.

- Coloque la canaleta de descarga lateral en la plataforma en lugar de la cubierta de acolchado. Asegúrese que la brida del tope de la canaleta de descarga esté debajo del tope. Vea la Figura 5B.
- Alinee las tres ranuras de la canaleta con las ranuras de la ferretería en la plataforma. Vea la Figura 5B.
- Inserte las tres tuercas mariposa extraídas antes a través de esas ranuras. Ajuste las tuercas mariposa.

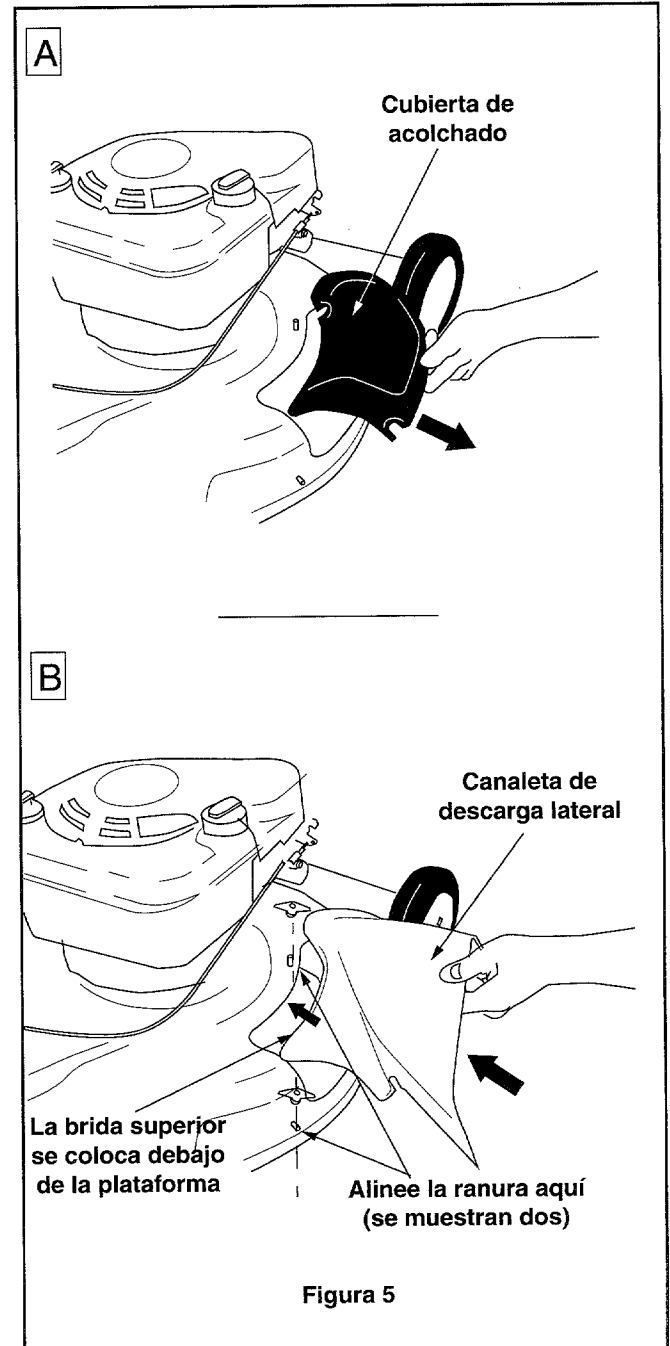


Figura 5

OPERACION

CONOZCA SU CORTADORA DE CESPED

(Refiérase a la Figura 6)



Compare las ilustraciones en la Figura 6 con su cortadora de césped para familiarizarse con la ubicación de los varios controles y ajustes. La operación de una cortadora de césped puede resultar en objetos extraños siendo despedidos contra los ojos del operador causando lesiones graves. Mientras opera la cortadora o efectúe ajustes o reparaciones, **use siempre gafas de seguridad.**

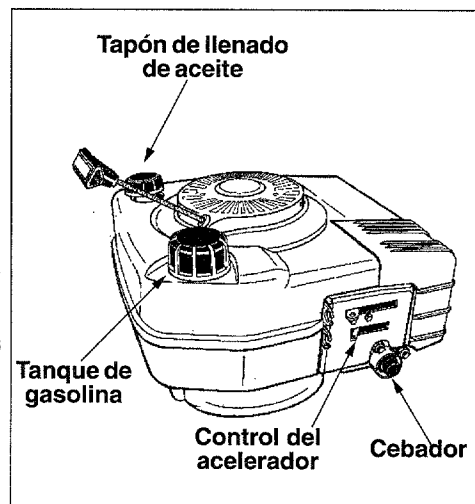
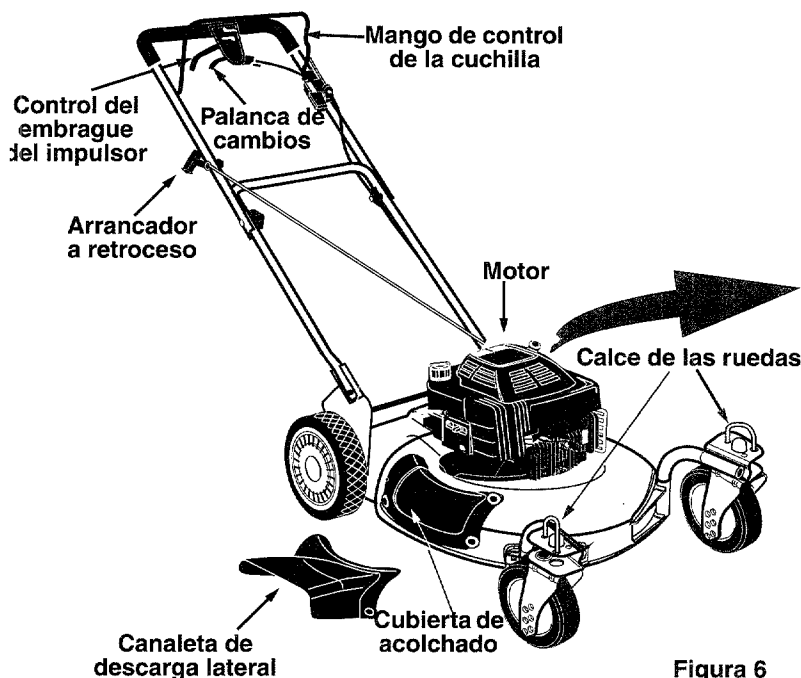


Figura 6

Mango de control de la cuchilla



ADVERTENCIA: Este mecanismo de control es un mecanismo de seguridad la unidad. Nunca trate de **sobrepasar** su operación.

El mango de control de la cuchilla debe presionarse para operar la unidad. Para detener el motor y la cuchilla suelte el mango de control de la cuchilla.

Control del embrague del impulsor

Para enganchar el sistema impulsor accione el control del embrague del impulsor; suelte el control del embrague del impulsor para desenganchar el sistema impulsor.

Palanca de cambios

La palanca de cambios se usa para seleccionar cualquiera de las seis velocidades de avance de la cortadora.

Nota: Mueva la palanca de cambios cuando el motor está funcionando solamente. El cambiar la posición de la palanca de cambios cuando el motor está apagado puede causar daños a la cortadora.

Ruedas de metal forjado

Su cortadora está equipada con ruedas de metal forjado en la parte delantera. Las ruedas pueden calzarse en posición recta hacia adelante para cortar en elevaciones o pueden dejarse sin calzar para girar libremente en terrenos a nivel.

Control del acelerador

El control del acelerador se usa para regular la velocidad del motor. No puede usarse para detener el motor.

Cebador

El cebador se usa para bombear gasolina al carburador. Uselo para arrancar un motor frío, pero no lo use para rearrancar un motor caliente después de un breve apagado.

Arrancador de retroceso

El arrancador de retroceso está fijado al mango. Para arrancar la unidad, párese detrás de la misma y tire del arrancador de retroceso.

CUMPLE CON LAS NORMAS CPSC DE SEGURIDAD DE CUCHILLAS

Las cortadoras de césped de empuje Craftsman cumplen con las normas de seguridad del Instituto Americano de Normas Nacionales y de la Comisión de Seguridad de Productos del Consumidor de Estados Unidos

DETENCION DEL MOTOR

- Suelte el mango de control de la cuchilla para detener el motor y la cuchilla.
- Desconecte el cable de la bujía y aléjese de la misma para evitar un arranque accidental.



ADVERTENCIA: Antes de usar su cortadora de césped refiérase nuevamente a las **reglas de seguridad** de las páginas 3-5 de este manual. **Sea siempre precavido.**

LLENADO DE GASOLINA Y ACEITE

Aceite

- Use aceite detergente de alta calidad solamente, clasificado según la clasificación API de servicio SF, SG o SH. Seleccione el grado de viscosidad del aceite de acuerdo con su temperatura esperada de operación.

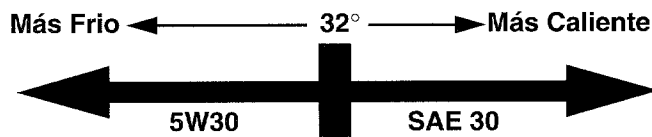


Tabla de Grado de Viscosidad de Aceite

- Use aceite SAE30; no use aceite 10W40.
- Llene el reservorio de aceite e inspeccione el nivel de aceite. Vea la Figura 7
 - a. Coloque la cortadora sobre un suelo nivelado.
 - b. Limpie el área alrededor del tapón de llenado de aceite.
 - c. Extraiga el tapón de llenado de aceite y la varilla de medición.
 - d. Frote limpia la varilla de medición. Inserte dentro del orificio de llenado de aceite y ajuste seguramente.
 - e. Extraiga la varilla de medición e inspeccione el nivel de aceite. Si el aceite no llega a la marca FULL (LLENO) de la varilla de medición, vierta el aceite recomendado a través del llenador de aceite e inspeccione nuevamente el nivel.
- Vuelva a colocar el tapón de llenado de aceite y la varilla de medición y ajuste firmemente.

NOTA: A pesar que los aceites de viscosidad múltiple (5W30, 10W30, etc.) mejoran el arranque en tiempo frío, los mismos resultarán en un consumo mayor de combustible cuando se usan sobre los 32°F. Inspeccione su nivel de aceite más frecuentemente para evitar daños posibles al motor al funcionar con poco aceite.

Gasolina



Nunca llene al tanque bajo techo o cuando el motor está funcionando frío o caliente. No fume mientras llena el tanque de combustible.

- Limpie el área alrededor de la tapa de combustible. Extraiga la tapa del combustible.
- Use un embudo para evitar derramar.

- Vierta lentamente al tanque de gasolina aproximadamente 1.5 cuartos de gasolina fresca, de grado regular, sin plomo.

IMPORTANTE: Nunca mezcle aceite de motor con gasolina.

- Llene el tanque a 1/2" por debajo del cuello del llenador. Limpie cualquier derrame. **No llene** completamente el tanque. Deje espacio para la expansión del combustible.

ANTES DE ARRANCAR

Cada vez que arranque la cortadora, fije el cable de la bujía a la bujía e inspeccione por una operación apropiada del embrague del impulsor usando la Prueba de Ajuste del Neutro.

Prueba de ajuste del neutro

- a. Con el control de embrague del impulsor desenganchado, empuje la cortadora hacia adelante y tire hacia atrás. ¿Se mueve con facilidad?
- b. Accione el control del embrague del impulsor y tire de la cortadora hacia atrás. ¿Están calzadas las ruedas posteriores (no giran)?
- c. ¿Está el cable de control del embrague del impulsor libre de torceduras o dobleces pronunciados?

Si usted respondió "sí" a las tres preguntas, su cortadora está lista para arrancar. Si usted respondió "no" a una o más de las preguntas, su cortadora requiere un ajuste de control del embrague del impulsor. Para las instrucciones por favor refiérase a la sección de Ajustes de este manual.

ARRANQUE DEL MOTOR Y ENGANCHE DEL IMPULSOR



ADVERTENCIA: Asegúrese que **ninguna persona además del operador** esté parada cerca de la cortadora de césped al arrancar u operar.

- Asegúrese que la tapa de metal al extremo del cable de la bujía esté fijada firmemente sobre la punta de metal de la bujía.
- Mueva el control del acelerador a la posición FAST (RAPIDO).
- Cebe tres veces. Vea la Figura 8. Espere dos segundos aproximadamente entre cada cebado. Cebe cinco veces en tiempo frío alrededor de 55°F o menor. Después de un apagado breve **no cebe para volver a arrancar un motor.**
- Sujete el mango del arrancador y tire lentamente de la soga hasta que el motor llegue al comienzo del ciclo de compresión (la soga ofrecerá un poco de más resistencia en este punto). Vea la Figura 7. Permita que la soga se enrolle lentamente.
- Tire de la soga con una pasada rápida, continua, usando todo el brazo. Empuñando firmemente el mango del arrancador permita que la soga se enrolle lentamente.

Nota: Si el motor falla en arrancar después de tres tirones, repita los pasos 2,3, y 4.

4. Accione el mango de control de la cuchilla

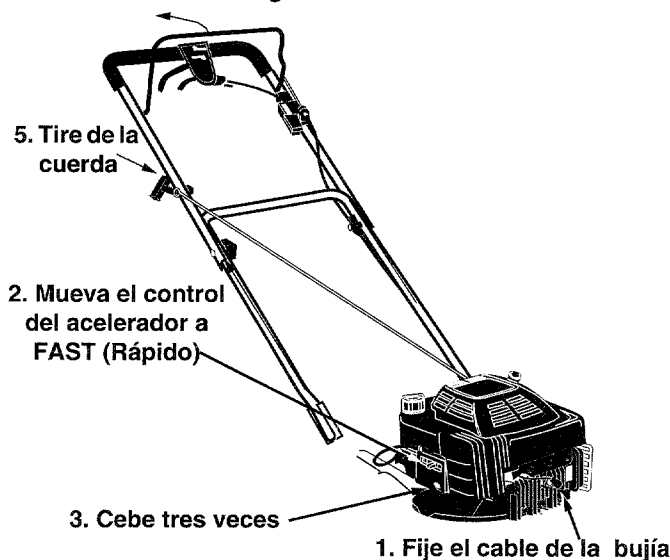


Figura 7



ADVERTENCIA: La cuchilla girará siempre que funcione el motor. **Mantenga las manos y los pies alejados de la cuchilla.**

- Con el mango de control de la cuchilla apretado contra el mango, mueva la palanca de cambios a la velocidad deseada.
- Apriete el control del embrague del impulsor contra el mango para enganchar el impulsor.

IMPORTANTE: Mueva la palanca de cambios cuando el motor está funcionando SOLAMENTE. Al cambiar velocidades desenganche el control del embrague del impulsor. Si usted cambia velocidades con el mango del embrague enganchado o el motor detenido, puede **dañar** la unidad.

Nunca haga funcionar el motor **bajo techo ni en áreas confinadas con mala ventilación**. El escape del motor contiene monóxido de carbono, un gas inodoro y letal.

Mantenga las manos, pies, cabello y ropas holgadas alejadas de las piezas móviles del motor y de la cortadora.

RUEDAS DE METAL FORJADO DE CALCE

Si usted está cortando césped en una pendiente, siempre calce las ruedas de metal forjado delanteras de su cortadora para una operación recta de avance. Usted puede dejar las ruedas libres para pivotar en un terreno nivelado.

Para girar la cortadora en una pendiente con las ruedas calzadas, presione la manija y levante ligeramente las ruedas delanteras.

- **Para calzar las ruedas:** Levante y coloque la clavija de calce en el orificio más grande de cada rueda. Vea la Figura 8.

- **Para descalzar las ruedas:** Levante y coloque la clavija de calce en el orificio más pequeño para permitir que las ruedas giren libremente. Vea la Figura 8.

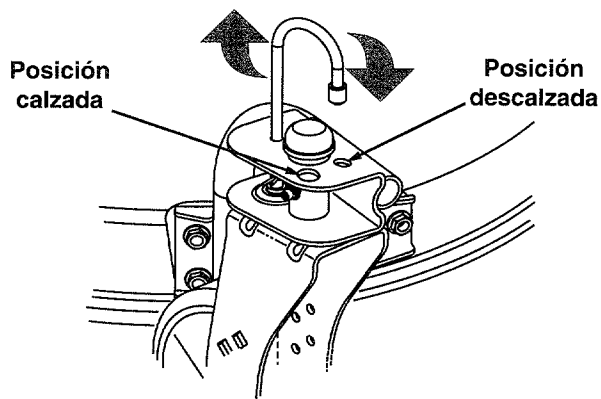


Figura 8



ADVERTENCIA: No corte en pendientes con las ruedas descalzadas ya que la cortadora puede moverse pendiente abajo fuera de control.

USO DE SU CORTADORA

Su cortadora de césped está diseñada para operar como una unidad acolchadora o de descarga lateral

- Para convertir de una unidad acolchadora a una de descarga lateral, refiérase a las instrucciones de la página 8 de este manual.
- Para convertir de una unidad de descarga lateral a una acolchadora, reemplace la canaleta de descarga lateral con la cubierta de acolchado. No opere la cortadora sin la cubierta de acolchado o la canaleta de descarga correctamente instalados y firmemente ajustados.
- Asegúrese que el césped esté libre de piedras, palos, alambre u otros objetos que puedan dañar la cortadora de césped o el motor. tales objetos pueden ser accidentalmente despedidos por la cortadora en cualquier dirección y causar lesiones personales graves al operador o a otras personas.
- Para obtener los mejores resultados no corte césped mojado ya que tiende a pegarse a la parte inferior de la cortadora, evitando la descarga apropiada de los recortes de césped y puede causar que se resbale y se caiga. El césped nuevo, denso o mojado puede requerir un corte más angosto. La velocidad de la cuchilla debe ajustarse al estado del césped.
- El mejor patrón de movimiento es aquel que permite que los recortes sean descargados hacia la parte no cortada del césped. Esto permite volver a cortar los recortes para pulverizarlos aún más. Al cortar hierbas altas, descargue hacia la porción cortada y después vuelva a cortar en ángulos rectos con respecto a la primera dirección.



ADVERTENCIA: Si usted golpea un objeto extraño, **detenga el motor**. Extraiga el cable de la bujía de la misma e inspeccione completamente la cortadora por daños. **Repáre el daño** antes de arrancar y operar nuevamente la cortadora. **Una vibración intensa** de la cortadora durante la operación es una señal de daño. La unidad debe inspeccionarse y repararse a la brevedad.

- Para obtener un césped sano, corte siempre un tercio o menos del largo total del césped. El césped debe cortarse en el otoño mientras haya crecimiento.

- **Esta cortadora está diseñada para operarse con el acelerador a velocidad plena** para proporcionarle el mejor corte y efectuar la tarea más efectiva de embolsar el césped cortado.
- Para operar la cortadora en una pendiente, siga las instrucciones de la página 11.

AJUSTE DE LA ALTURA

Para instrucciones respecto a como ajustar la altura de corte y la altura del mango, refiérase a la sección de ajuste de altura de la página 16 de este manual. Para obtener los mejores resultados en el corte, mantenga la altura de corte en la posición alta hasta que se determine cual es la mejor altura para su césped.

MANTENIMIENTO

RECOMENDACIONES GENERALES

- Observe siempre las reglas de seguridad al efectuar el mantenimiento.
- La garantía de esta cortadora de césped no cubre artículos que han estado sujetos a abuso o negligencia por parte del operador. El operador debe mantener la cortadora según se instruye en este manual para recibir el valor pleno de la garantía.
- El cambiar la velocidad gobernada del motor cancelará la garantía del mismo.
- Para mantener su unidad adecuadamente se deben efectuar ajustes periódicamente.

- Todos los ajustes en la sección de Servicio y Ajustes de este manual deben efectuarse una vez por temporada por lo menos.
- Siga el programa de mantenimiento indicado abajo.
- Inspeccione periódicamente todos los sujetadores y asegúrese que estén ajustados



ADVERTENCIA: Siempre detenga el motor y **desconecte el cable de la bujía** antes de efectuar mantenimiento o ajustes.

RESPONSABILIDADES DEL CLIENTE

PROGRAMA DE MANTENIMIENTO		Después de cada uso	Primeras dos horas	Cada 25 horas	Cada 50 horas	Cada 100 horas	Una vez por temporada	Antes de almacenar	FECHAS DE SERVICIO					
PRODUCTO	Lubricar ruedas						✓							
	Lubricar ruedas de metal forjado			✓										
	Lubricar control de la cuchilla						✓							
	Limpiar plataforma	✓						✓						
	Cuidado de la cuchilla			✓				✓						
MOTOR	Cambiar aceite		✓	✓										
	Servicio al filtro de espuma			✓										
	Reemplazar filtro de papel					✓								
	Limpiar motor						✓							
	Inspeccionar bujía				✓		✓							
	Inspeccionar supresor de chispas (de haberlo)				✓									

LIMPIEZA

La parte inferior de la plataforma de la cortadora debe limpiarse después de cada uso para evitar la acumulación de recortes de césped, hojas, tierra u otros desechos. Si se permite acumular estos desechos, resultará en oxidación y corrosión.

- Desconecte el cable de la bujía.
- Drene la gasolina de la cortadora, o coloque un trozo de plástico debajo de la tapa de gasolina.
- Incline la cortadora de manera que se apoye sobre el armazón. Mantenga el lado con el filtro hacia arriba. Sujete firmemente.
- Frote limpia la parte inferior de la plataforma con una herramienta adecuada.
- Enderece la cortadora sobre las ruedas en el suelo. Asegúrese de retirar el plástico que puso debajo de la tapa de gasolina, si así lo hizo.



ADVERTENCIA: Nunca incline la cortadora más de 90 grados y **no la deje dada vuelta en ningún momento.** El aceite puede drenar dentro de la parte superior del motor causando un problema de arranque.

NOTA: No recomendamos usar una manguera de jardín para limpiar la cortadora a menos que el silenciador, filtro de aire y carburador estén cubiertos para mantener afuera el agua. El agua dentro del motor puede acortar la vida del mismo.

MANTENIMIENTO DEL MOTOR

Aceite de Motor

- Use aceite detergente de alta calidad solamente, clasificado según la clasificación API de servicio SF, SG o SH de acuerdo con su temperatura esperada de operación. Para la tabla de viscosidad refiérase a la página 10 de este manual.
- Detenga el motor y espere varios minutos antes de inspeccionar los niveles de aceite. Con el motor sobre un suelo a nivel, el aceite debe alcanzar la marca FULL (LLENO) en la varilla de medición.
- Cambie el aceite del motor después de las primeras cinco horas de operación, y cada veinticinco horas después.

Cambio de aceite del motor

Cambie el aceite después de las dos primeras horas de operación y cada 25 horas de operación después. Drene el aceite mientras el motor está caliente. Siga las instrucciones impartidas abajo.

- Incline la cortadora con la bujía hacia arriba.
- Coloque un recipiente debajo de la varilla de medición. Extraiga la varilla de medición del reservorio de aceite.
- Drene completamente el reservorio de aceite, colectando el aceite en un recipiente aprobado.
- Llène el reservorio con 27 onzas de aceite fresco SAE 30. Para las instrucciones de llenado de aceite refiérase a la página 10 de este manual.

Filtro de aire

El filtro de aire impide que la suciedad, polvo, etc. dañinos, penetren al carburador y sean forzados dentro del motor y es importante para la duración del motor y el rendimiento. El filtro de aire consiste de un filtro de espuma (de estar así equipado) y de un filtro de papel.



ADVERTENCIA: Nunca haga funcionar su motor sin que el filtro de aire esté completamente ensamblado.

Para prestar servicio al filtro de aire:

1. Reemplace el **filtro de papel** cada 100 horas de uso, o más frecuentemente bajo condiciones polvorientas.
2. Preste servicio al filtro de espuma (de estar así equipado) cada tres meses o cada 25 horas de uso. Limpie y reaceite diariamente si se usa en condiciones extremadamente polvorientas.

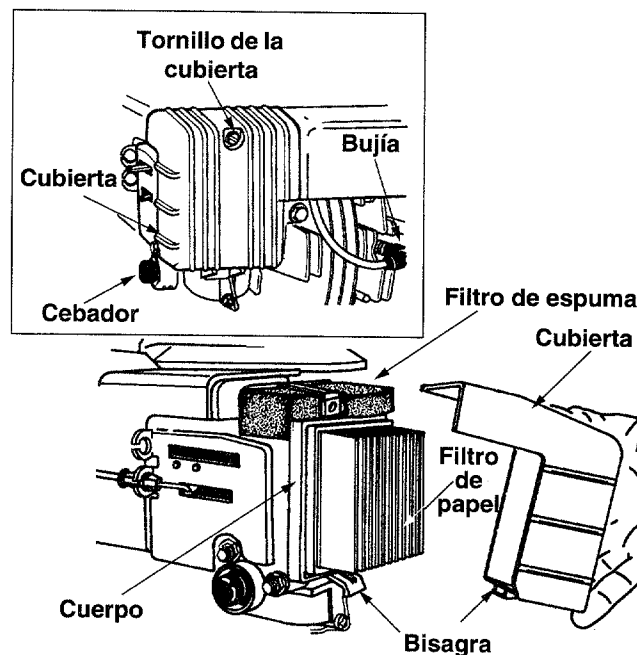


Figura 9

- Extraiga el tornillo de la cubierta y la cubierta, no separe el tornillo de la cubierta. Vea el recuadro de la Figura 9. Gire hacia abajo la cubierta para extraer de la bisagra. Vea la Figura 9.
- Inspeccione el filtro de espuma por decoloración o acumulación de suciedad. Si alguna de ellas estuviera presente, limpie el filtro.
- Lave el filtro en solución de agua y detergente y exprima (no tuerza) hasta que se elimine toda la suciedad.
- Enjuague bien el filtro de espuma en agua limpia.

- Envuelva en un trapo limpio y exprima (no retuerza) hasta que esté completamente seco o permita que se seque al aire.
- Sature con aceite de motor y exprima (no retuerza) para distribuir y eliminar el exceso de aceite.
- Si fuera necesario, reemplace el filtro de papel (no trate de limpiar). Instale un nuevo filtro en la base.
- Gire el filtro hacia arriba y alinee la bisagra de la cubierta con la del motor.
- Ajuste bien el tornillo de la cubierta.

Limpie el motor

- Limpie periódicamente el motor. Elimine la suciedad y los desechos con un trapo o cepillo.
- Extraiga periódicamente los recortes de césped, suciedad y desechos de las aletas de enfriamiento, pantalla de toma de aire, palancas y acople. Esto ayudará a asegurar un enfriamiento adecuado y una velocidad correcta del motor.

NOTA: No limpie con un chorro intenso de rociado de agua ya que el agua puede contaminar el sistema de combustible.

Bujía

- Limpie la bujía y ajuste la separación a 0.030" una vez por temporada por lo menos o después de cada 50 horas de operación. Vea la figura 10. Se recomienda el reemplazo de la bujía al comienzo de cada temporada. Refiérase a la lista de piezas del motor para el tipo correcto de bujía.

NOTA: No limpie la bujía con chorro de arena. La bujía debe limpiarse raspando o cepillando con cepillo de alambre y lavando con un solvente comercial.

Separación de .030" del calibre palpador de .030"

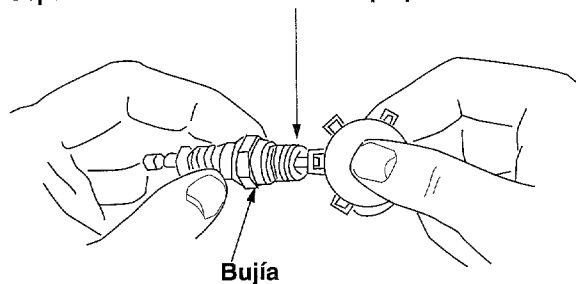


Figura 10

Silenciador



ADVERTENCIA: No opere la cortadora **sin un silenciador**, ni manipule el sistema de escape. Los silenciadores o supresores de chispas dañados pueden crear un riesgo de incendio. La temperatura del silenciador y de las áreas circundantes **puede exceder los 150°F (65°C)**.

- Inspeccione periódicamente y reemplácelo si fuera necesario. Si su motor está equipado con un conjunto de tamiz de supresor de chispas, retire después de cada 50 horas de uso para limpieza e inspección. Reemplace si está dañado.

LUBRICACION

(Refiérase a la Figura 11)

Ruedas

- Lubrique las ruedas una vez por temporada por lo menos con aceite liviano o aceite de motor. También, si se extraen las ruedas por cualquier motivo, lubrique la superficie del perno del eje y la superficie interior de la rueda con aceite liviano.

Conjunto de las ruedas de metal forjado

- Se proveen engrasadores para una lubricación fácil de las clavijas giratorias ubicadas en el conjunto delantero de las ruedas de metal forjado. Use un revólver de grasa para lubricar las ruedas de metal forjado cada 25 horas de operación aproximadamente.

Mango de control de la cuchilla

- Lubrique los puntos de pivote en el mango de control de la cuchilla y el cable del freno con aceite liviano una vez por temporada por lo menos. El mango de control de la cuchilla debe operar libremente en ambas direcciones.

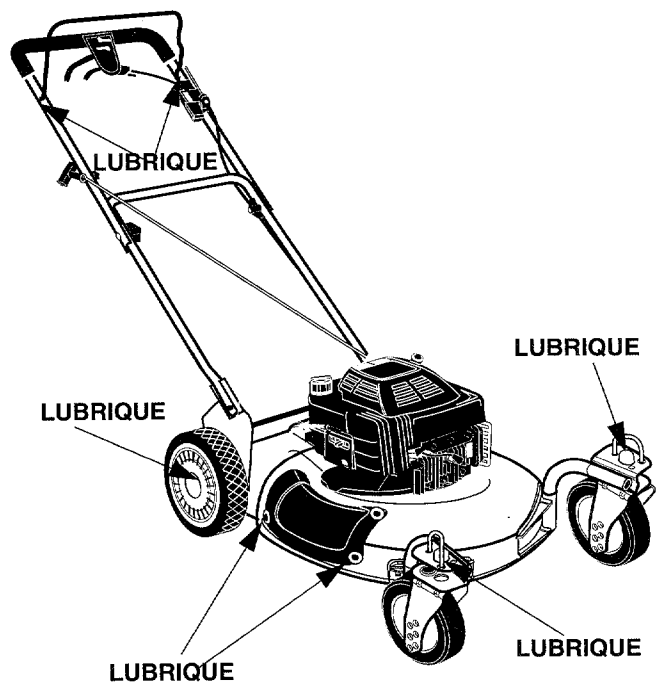


Figura 11

SERVICIO Y AJUSTES

CUIDADO DE LA CUCHILLA

Inspeccione periódicamente el adaptador de la cuchilla por grietas, especialmente si golpea un objeto extraño. Reemplace según sea necesario.



ADVERTENCIA: Proteja sus manos usando guantes gruesos o un trapo para sujetar la cuchilla de corte, al extraerla para afilarla o reemplazarla.

- Desconecte el cable de la bujía de la misma.
- Vuelque la cortadora de lado asegurándose que el filtro de aire y el carburador estén hacia arriba.
- Use un bloque de madera entre la cuchilla y la plataforma de la cortadora para evitar que gire la cuchilla cuando se extraiga el perno. Proteja sus manos con guantes y/o envuelva la cuchilla con una tela gruesa.

Extracción de la cuchilla

- Extraiga el perno y el soporte de la campana de la cuchilla que sujeta la cuchilla y el adaptador al cigüeñal del motor. Vea la Figura 12.
- Extraiga la cuchilla y el adaptador del cigüeñal.

Reemplazo de la cuchilla

- Antes de volver a instalar la cuchilla y el adaptador de cuchilla a la unidad, lubrique el cigüeñal del motor y la superficie interna del adaptador de la cuchilla con aceite liviano.
- Instale el adaptador de la cuchilla en el cigüeñal con la "estrella" alejada del motor. Vea la Figura 12.

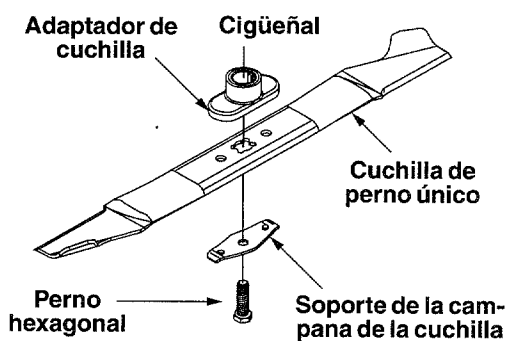


Figura 12

- Coloque la cuchilla y el soporte de la campana en el adaptador asegurándose de alinear las aletas en los orificios de la cuchilla con el orificio en el soporte de la campana. Vea la Figura 12.
- Inspeccione y asegúrese que el lado de la cuchilla marcado "bottom" ("fondo") (o con el número de pieza) enfrentada alejada del adaptador.

- Inserte el perno hexagonal a través del conjunto de la cuchilla. La Figura 12 muestra el orden correcto de ensamblado.
- Use un bloque de madera para mantener nuevamente la cuchilla mientras usted ajusta el perno en el sentido de las agujas del reloj. Observe el par torsor recomendado para el perno que es de 450-600 pulg.lbs.

IMPORTANTE: El perno usado para asegurar la cuchilla al motor está especialmente tratado térmicamente. **No lo sustituya.** Para ordenar un perno de reemplazo, refiérase a la sección de Piezas de Repuesto de este manual.



ADVERTENCIA: Todas las tuercas y pernos deben inspeccionarse periódicamente por un ajuste correcto, para asegurar una operación segura de su unidad.

Afilado de la cuchilla

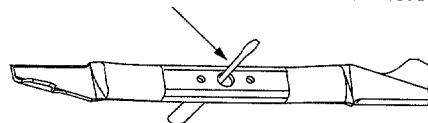
La cuchilla puede afilarse con una lima o en una rueda afiladora. No trate de afilarla mientras esté colocada en la cortadora.

- Siga el ángulo original de afilado como guía. Asegúrese que cada borde de corte reciba un grado igual de afilado para evitar una cuchilla desequilibrada.

NOTA: Una cuchilla desequilibrada causará una vibración excesiva cuando gire a altas velocidades, puede causar daño a la cortadora y puede romperse, causando lesiones personales.

- Pruebe la cuchilla equilibrándola sobre un destornillador de hoja redonda o en un equilibrador de cuchillas. Vea la Figura 13.
- Si la cuchilla no está equilibrada, desgaste el metal del lado más pesado hasta que se equilibre de forma pareja.

1. Inserte el destornillador a través del orificio



2. La cuchilla debe estar paralela al suelo

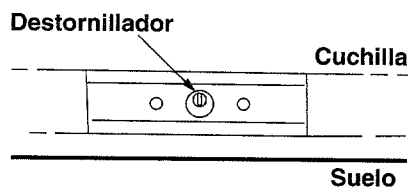


Figura 13

AJUSTES DEL MOTOR



ADVERTENCIA: No efectúe ajustes innecesarios al motor. Las graduaciones de fábrica son satisfactoria para la mayoría de las condiciones. Manténgase alejado de todas las piezas móviles, si efectúa ajustes al motor mientras el mismo está funcionando. Sea precavido con las superficies calientes y el silenciador. mantenga sus manos alejadas de esas piezas.

Carburador:

El carburador ha sido pregraduado de fábrica y no debería requerir ajustes.

- Si el motor en su cortadora no opera correctamente debido a problemas sospechados del carburador, lleve su cortadora de césped a su centro de servicio SEARS más cercano.
- Si usted piensa que el carburador necesita ajuste, consulte con su centro de servicio SEARS más cercano.
- El funcionamiento del motor puede afectarse a altitudes superiores a los 4000 pies. Instale un juego de ajuste para grandes altitudes, disponible en el centro de servicio de SEARS, para mejorar el funcionamiento del motor.

NOTA: Un filtro sucio causará que el motor funcione con rudeza. Asegúrese que el filtro de aire esté limpio y esté fijado al carburador.

Velocidad del Motor



ADVERTENCIA: El acelerar el motor sobre la graduación de fábrica puede ser peligroso. No intente incrementar la velocidad del motor o puede resultar en lesiones personales. El cambio de la velocidad gobernada del motor **cancelará la garantía del motor.**

- Si en su opinión el motor está funcionando demasiado rápido o lento, lleve su cortadora de césped al centro de servicio SEARS más cercano.

AJUSTE DE LA ALTURA DEL MANGO

Su cortadora de césped se despacha con el mango en la posición de altura máxima. Proceda como sigue para bajar la altura del mango.

- Extraiga la cuerda del arrancador de la guía de la cuerda.
- Extraiga el mango superior extrayendo las perillas manuales y pernos del acarreador. Coloque el mango superior fuera del paso, teniendo cuidado en no doblar o presionar los cables.
- Extraiga los broches del cabello de las clavijas soldadas en los soportes del mango. Refiérase al recuadro de la Figura 3. Presione sobre las piernas del mango inferior. Extraiga el mango inferior de la cortadora.

- Gire el mango inferior de la cortadora de manera que la muesca en el fondo del mango inferior esté orientada hacia adelante según se muestra en la Figura 14. Reensamble, colocando los orificios inferiores del mango sobre las clavijas soldadas en el soporte de montaje del mango.

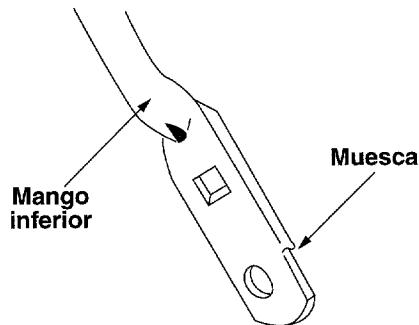


Figura 14

- Reensamble el mango superior al mango inferior.
- Coloque los broches del cabello en los orificios interiores en las clavijas soldadas y fije la cuerda del arrancador según se instruye en la sección de Ensamblado.

AJUSTE DE LA ALTURA DE CORTE

IMPORTANTE: Todas las ruedas deben colocarse en la **misma posición relativa**. Eleve las ruedas de la cortadora para un corte bajo y baje las ruedas para un corte alto. Para céspedes duros o irregulares, mueva la palanca de ajuste de altura a una posición más elevada. Esto ayudará a detener el corte al ras del césped.

Ajuste de la rueda trasera

La palanca de ajuste de la altura de corte de la **rueda trasera** está ubicada sobre la rueda posterior izquierda. Vea la Figura 15.

- Para ajustar la altura de corte, tire hacia afuera de la palanca de ajuste de altura y muévela hacia adelante o atrás. Colóquela en la posición deseada de corte marcada en la cortadora. Vea la Figura 15.

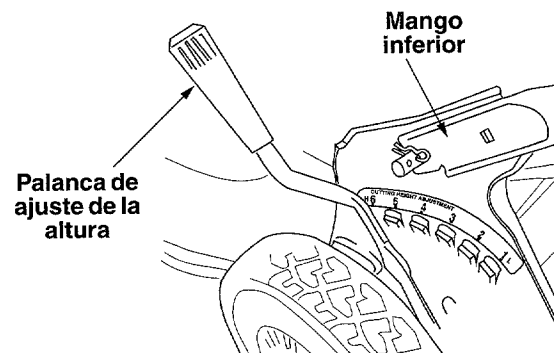


Figura 15

Ajuste de la rueda delantera

La altura de corte de la rueda delantera está determinada por la colocación de la varilla de eje en una de las seis posiciones de altura en cada conjunto de las ruedas de metal forjado en las ruedas delanteras.

- Para ajustar, extraiga la tuerca mariposa del perno del eje. Vea la Figura 16.
- Deslice el perno del eje y la arandela del resorte, del conjunto y seleccione una altura de corte.
- Con la arandela del resorte sobre el perno del eje, reinserte el perno del eje en el orificio cuadrado deseado, a través del conjunto de las ruedas. Vea la Figura 16.
- Asegure con la tuerca mariposa previamente extraída.

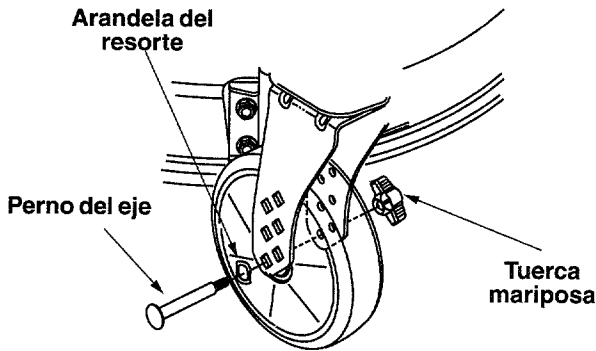


Figura 16

AJUSTE DEL CABLE DE CAMBIO DE SEIS VELOCIDADES

Usted puede tener también que ajustar periódicamente el cable de cambios de seis velocidades a causa del desgaste normal del mismo. Si no pueden obtenerse todas las seis velocidades, se necesita ajustar.

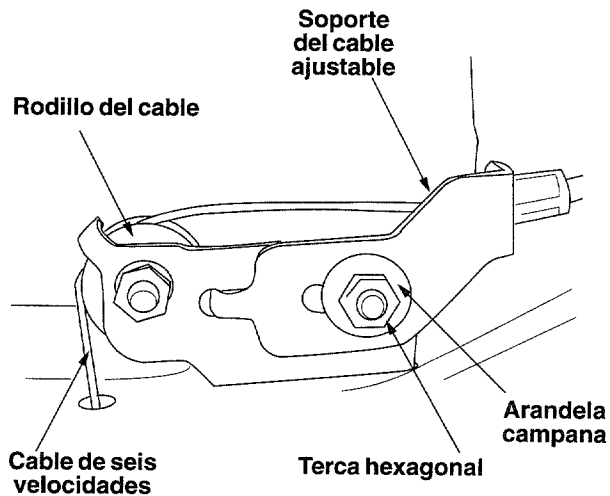


Figura 17

- Ubique el soporte del cable ajustable al lado izquierdo de la plataforma al lado del motor.
- Afloje la tuerca hexagonal que asegura el soporte ajustable del cable. Vea la Figura 17.
- Coloque la palanca de cambios en la posición de seis velocidades.

- Tire hacia atrás del soporte ajustable del cable hacia la parte posterior de la cortadora. Vuelva a ajustar la tuerca hexagonal.
- Ajuste las velocidades en la cortadora con el motor funcionando. Si fuera necesario vuelva a ajustar.

REEMPLAZO DE LA CORREA

- Desconecte la bujía y conéctela a tierra contra el motor.
- Drene el tanque de combustible o coloque un trozo de plástico debajo de la tapa para prevenir la pérdida de gasolina.
- Coloque la palanca de cambios en la primera posición.
- Inclíne la cortadora sobre uno de sus lados. Bloquee seguramente.
- Extraiga el perno central que asegura la cuchilla al cigüeñal. Extraiga la cuchilla, el adaptador de la cuchilla, la arandela ondulada y el separador.
- Coloque el ajustador posterior de altura en la sexta posición.
- Usando un manguito de 3/8", extraiga los tres tornillos hexagonales que fijan el deflector a la plataforma. Vea la Figura 18.

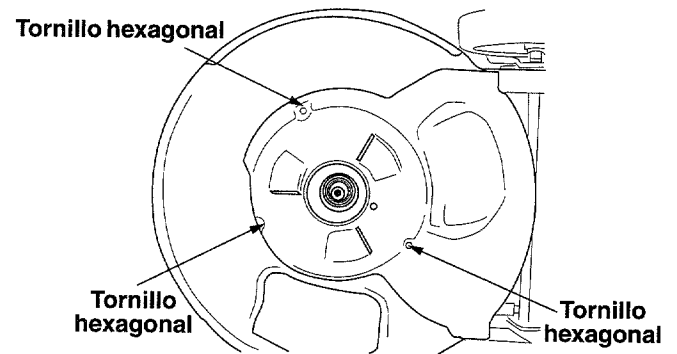


Figura 18

- Pivotee el deflector hacia la parte posterior de la cortadora. Vea la Figura 19.

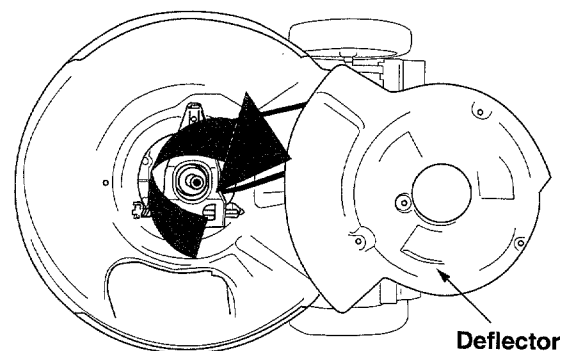
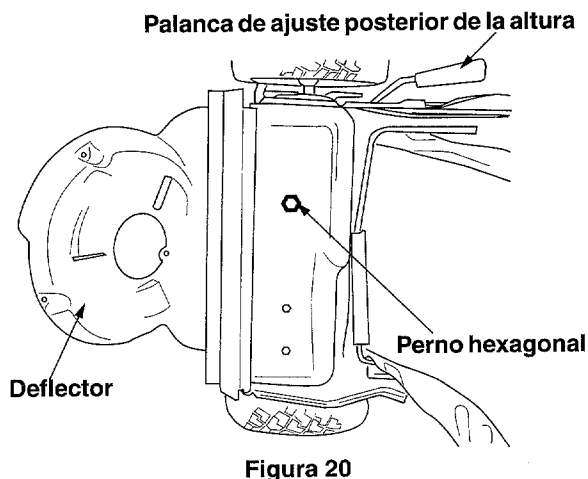
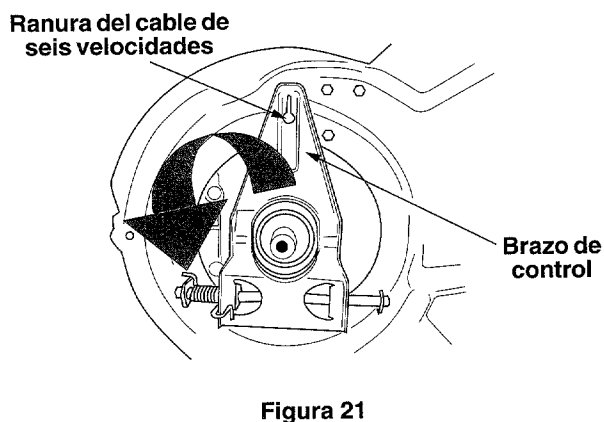


Figura 19

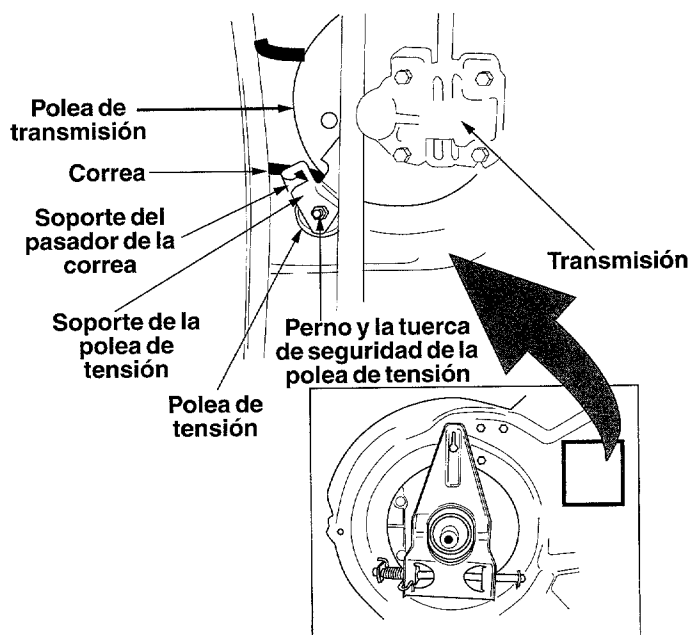
- Extraiga el perno hexagonal que sujeta la transmisión al armazón de la cortadora. Tenga cuidado en guardar el perno recién extraído. Vea la Figura 20.



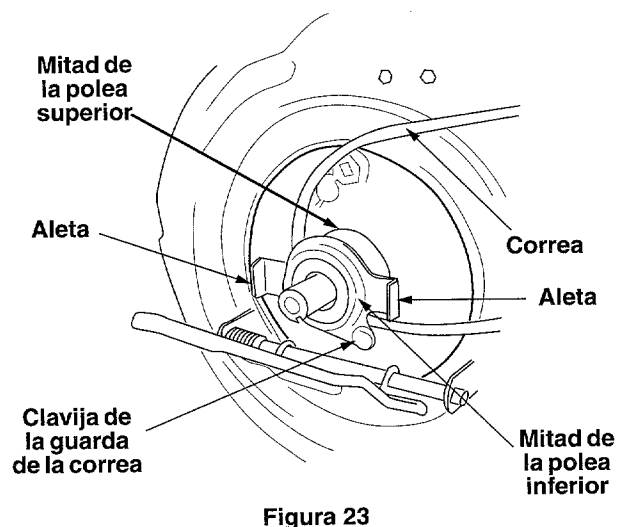
- Incline la transmisión hacia adelante y afloje 1/2 vuelta el perno y la tuerca de seguridad de la polea de tensión usando dos llaves de 7/16". Refiérase a la Figura 22 para la ubicación del perno y de la tuerca de seguridad de la polea de tensión.
- Usando un par de pinzas, tire hacia atrás y gire el soporte del pasador de la correa de la ranura en la polea de tensión.
- Deslizar la correa de afuera entre el soporte del pasador de la correa y el soporte de la polea de tensión.
- Empuje hacia atrás el brazo de control y extraiga el cable de seis velocidades de la ranura. Pivotee hacia abajo el brazo de control. Vea la Figura 21.



- Extraiga las mitades de la polea inferior del cigüeñal y deslice hacia afuera la correa vieja.
- Engrase el cigüeñal.
- Alimente la correa nueva sobre la polea de transmisión, arranque la polea en la ranura de la polea y gire esta última hasta que la correa esté asentada en la polea de transmisión. Vea el recuadro de la Figura 22.
- Coloque la correa entre la polea de tensión y el soporte del pasador de la correa. Vea la Figura 22.
- Usando un par de pinzas, vuelva a colocar el soporte del pasador de la correa de manera que calce en su lugar.



- Ajuste 1/2 vuelta el perno y la tuerca de seguridad de la polea de tensión usando llaves de 7/16".
- Coloque la correa entre ambas mitades de la polea sobre el cigüeñal según se muestra en la Figura 23. Asegúrese de encaminar la correa dentro de la clavija de la guarda de la correa.



IMPORTANTE: Para un ensamblado apropiado, es esencial mantener en la posición mostrada en la Figura 23, la clavija de la guarda de la correa y las dos aletas en la mitad de la polea inferior, como se muestra en la figura 23.

- Junte la correa de manera que no esté en su ranura, y para que la polea inferior pueda empujarse hacia el motor. Vea la Figura 24.
- Pivotee el brazo de control hacia su posición original y vuelva a instalar el cable de seis velocidades dentro de la ranura.

- Inspeccione y asegúrese que la correa esté encaminada dentro de las mitades de la polea y de la clavija de la guarda de la correa.
- Vuelva a instalar y ajuste el perno que asegura la transmisión al armazón posterior de la cortadora.
- Pivotee el deflector a su posición original y asegure con los tres tornillos hexagonales extraídos antes. Usted necesitará un manguito de 3/8" para esos tornillos.
- Vuelva a instalar el separador, arandela ondulada, conjunto del adaptador de la cuchilla y la cuchilla en el orden correcto.
- Ajuste el perno hexagonal para asegurar la cuchilla. Observe el par torsor recomendado que es de 450-600 pulg.lb.

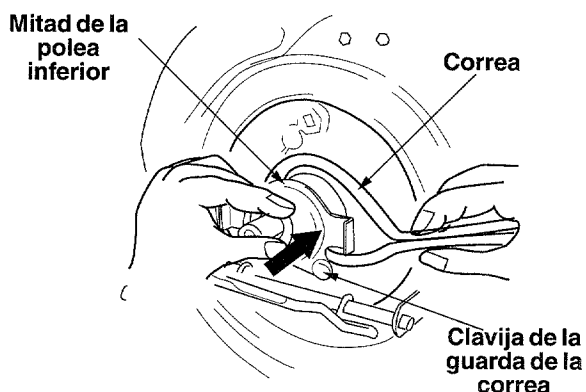


Figura 24

AJUSTE DEL EMBRAGUE DEL IMPULSOR

La rueda de ajuste de control del embrague del impulsor está ubicado en el armazón del mango de control

del embrague del impulsor y se usa para aflojar o ajustar la correa impulsora. Usted deberá ajustar el control del embrague del impulsor si:

- la cortadora no es autopropulsada con el embrague del impulsor enganchado; o
- las ruedas propulsoras de la cortadora vacilan mientras la cortadora mantiene la misma velocidad; o
- es más cómodo tener el impulsor enganchado con la palanca más alejada del mango.

Siga estos pasos para ajustar el embrague del impulsor:

- Gire la rueda de ajuste en el sentido de las agujas del reloj para ajustar el cable. Vea la Figura 25.
- Gire la rueda de ajuste en sentido contrario a las agujas del reloj para aflojar el cable. Vea la Figura 25.
- Asegúrese de volver a probar la unidad para el ajuste del neutro (vea la página 10). Afloje el control del embrague del impulsor si fuera necesario.

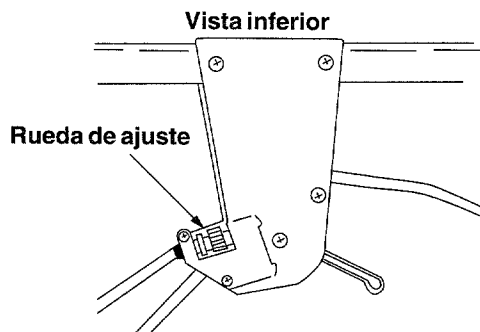


Figura 25

ALMACENAMIENTO

Prepare su cortadora para almacenamiento al final de la temporada o si no la usará durante 30 días o más.

Almacene en una cortadora limpia y seca.

CORTADORA

- Limpie la parte inferior de la cortadora siguiendo las instrucciones de la sección de Mantenimiento de este manual.
- Inspeccione y reemplace/afile la cuchilla, si es requerido. Para instrucciones sobre el cuidado de la cuchilla, refiérase a la sección de Mantenimiento de este manual.
- Lubrique la cortadora siguiendo la tabla de lubricación en la Figura 12 de este manual.
- Usted puede plegar el mango de su cortadora para un almacenamiento conveniente según se muestra en la Figura 18.
 - Extraiga la cuerda del arrancador de la guía de la cuerda.
 - Afloje las dos perillas manuales de los lados del mango, y permita que el mango superior se pliegue hacia atrás.

- Mueva los broches del cabello al orificio exterior en las clavijas soldadas en los soportes de montaje del mango.
- Despliegue los lados del mango inferior y empuje hacia adelante y hacia abajo.

NOTA: Cuando pliegue el mango para almacenamiento o transporte, sea precavido en no doblar o presionar los cables.

MOTOR

IMPORTANTE: Es importante prevenir que se formen depósitos de goma en piezas esenciales del sistema de combustible tales como el carburador, el filtro de combustible, la manguera de combustible o el tanque durante el almacenamiento. También la experiencia indica que los combustibles mezclados con alcohol (llamados gasohol o que usan etanol o metanol) pueden atraer la humedad lo que resulta en la separación y formación de ácidos durante el almacenamiento. El gas ácido puede dañar el sistema de combustible del motor mientras está en almacenamiento.

Drene el sistema de combustible y el carburador



ADVERTENCIA: Drene el combustible en un recipiente aprobado al aire libre **alejado de llamas expuestas**. Asegúrese que el motor esté frío. **No fume.**

- Drene el tanque de combustible.
- Arranque el motor y permita que funcione hasta que estén vacíos las tuberías de combustible y el carburador
- Drene el carburador extrayendo el tornillo de drenaje del tazón que está ubicado debajo del carburador. Vea la Figura 26.

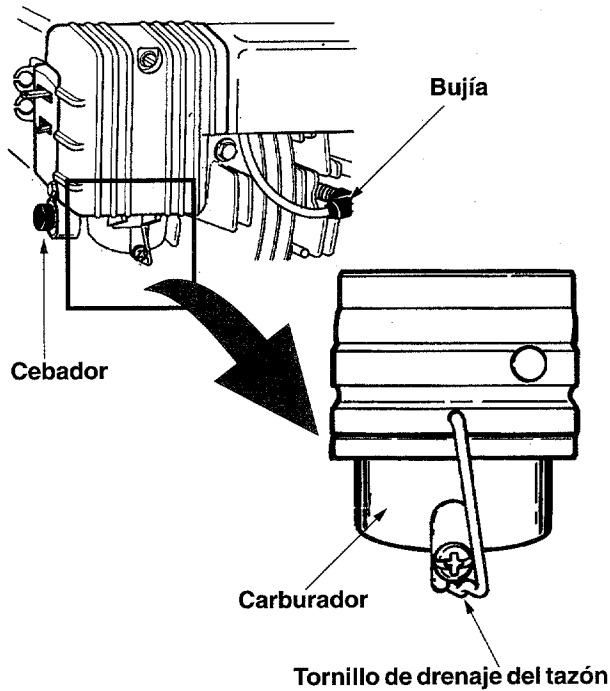


Figura 26



ADVERTENCIA: Nunca use productos limpiadores del motor o del carburador en el tanque de combustible ya que puede ocurrir un daño **permanente**.

- Use combustible fresco la próxima temporada.

Estabilizador de combustible.

NOTA: El estabilizador de combustible es una alternativa aceptable para minimizar la formación de depósitos de goma del combustible durante el almacenamiento.

- Agregue el estabilizador a la gasolina en el tanque de combustible o recipiente de almacenamiento.
- Siempre siga la proporción de mezcla de combustible indicada en el recipiente del estabilizador.
- Después de agregar estabilizador haga funcionar el motor durante 10 minutos por lo menos, para permitir que el estabilizador llegue al carburador.
- No drene el tanque de combustible ni el carburador si usa el estabilizador de combustible. Drene todo el aceite del cárter (esto debe hacerse después que ha funcionado el motor y está todavía caliente) y llene el cárter con aceite fresco.

Interior del cilindro de aceite

Después de haber drenado el tanque de combustible, proteja el interior del motor como sigue:

- Extraiga la bujía, vierta una onza aproximadamente (30 ml) de aceite de motor, dentro del orificio de la bujía y trate de arrancar lentamente para distribuir el aceite.



ADVERTENCIA: Evite el rociado desde el orificio de la bujía, al intentar arrancar lentamente el motor.

- Vuelva a colocar la bujía, no conecte el cable de la bujía.

Cambio de aceite

- Cambie el aceite si no se ha cambiado en los últimos tres meses. Refiérase a la sección de Mantenimiento de este Manual para las instrucciones acerca de como cambiar el aceite.

Limpieza del motor

- Limpie el motor y extraiga los recortes de césped, tierra o paja del exterior del motor.
- Limpie la tierra o los desechos de las aletas de enfriamiento, pantalla de toma de aire, palancas y acople.

OTRO

- No almacene gasolina de una temporada para otra.
- Reemplace la gasolina si su recipiente comienza a oxidarse. La oxidación y/o suciedad en la gasolina causarán problemas. Almacene la unidad en un área limpia y seca. No almacene cerca de materiales corrosivos tales como fertilizantes.

NOTA: Si se almacena en una casilla no ventilada o de metal, asegúrese de proteger el equipo contra el óxido, recubriéndolo con un aceite liviano o siliconas.

TABLA DE LOCALIZACION DE FALLAS

Problema	Causa(s) posible	Accion Correctora
El motor no arranca	<ol style="list-style-type: none"> 1. Está desenganchado el mango de control de la cuchilla 2. Está desconectado el cable de la bujía 3. La palanca de control del acelerador no está en la posición de arranque 4. Tanque vacío de combustible o combustible rancio 5. Tubería de combustible bloqueada 6. Bujía defectuosa 7. Motor ahogado 	<ol style="list-style-type: none"> 1. Enganche el mango de control de la cuchilla 2. Conecte el cable a la bujía. 3. Mueva la palanca del acelerador a la posición inicial. 4. Llene el tanque con combustible fresco y limpio. 5. Limpie la tubería de combustible. 6. Limpie, ajuste la separación o reemplace 7. Intente arrancar el motor con el acelerador en la posición FAST.
Funcionamiento errático	<ol style="list-style-type: none"> 1. Está flojo el cable de la bujía 2. Tubería de combustible bloqueada o combustible rancio 3. Está taponado el ventiladero en la tapa de gasolina 4. Agua o suciedad en el sistema de combustible 5. Filtro sucio de aire 	<ol style="list-style-type: none"> 1. Conecte y ajuste el cable de la bujía. 2. Limpie la tubería de combustible, llene el tanque con gasolina limpia y fresca. 3. Despeje el ventiladero 4. Drene el tanque de combustible. Vuelva a llenar con combustible fresco 5. Limpie el filtro de aire. Refiérase a la sección de Mantenimiento de este manual.
El motor se sobrecalienta	<ol style="list-style-type: none"> 1. Bajo nivel del aceite del motor 2. Flujo de aire obstaculizado 	<ol style="list-style-type: none"> 1. Llene el cárter con aceite adecuado. 2. Limpie el motor de la cortadora de césped.
Salto ocasional (vacila) a alta velocidad	<ol style="list-style-type: none"> 1. Separación demasiado pequeña de la bujía 	<ol style="list-style-type: none"> 1. Ajuste la separación a .030"
Funciona mal en vacío	<ol style="list-style-type: none"> 1. Bujía sucia, defectuosa o demasiada separación 2. Filtro sucio 	<ol style="list-style-type: none"> 1. Reajuste la separación a .030 pulgadas o reemplace la bujía. 2. Limpie el filtro de aire siguiendo las instrucciones en la página. ____
Vibración excesiva	<ol style="list-style-type: none"> 1. Cuchilla de corte floja o desequilibrada 2. Cuchilla de corte doblada 3. Cigüeñal del motor doblado 	<ol style="list-style-type: none"> 1. Ajuste la cuchilla y el adaptador, equilibre la cuchilla. 2. Reemplace la cuchilla. 3. Consulte con su Centro de Servicio SEARS.
La cortadora no acolchará el césped	<ol style="list-style-type: none"> 1. Velocidad demasiado baja del motor 2. Césped mojado 3. Césped excesivamente alto 4. Cuchilla desafilada 	<ol style="list-style-type: none"> 1. Mueva la palanca del acelerador a la posición FAST. 2. Espere hasta más tarde para cortar. 3. Corte una vez a una altura elevada de corte, a continuación corte nuevamente a la altura deseada. Reduzca el ancho de la banda de corte (1/2). No corte más que 1/3 del ancho total. 4. Afíle o reemplace la cuchilla
Corte irregular	<ol style="list-style-type: none"> 1. Las ruedas no están en la misma posición de altura 2. Cuchilla desafilada 	<ol style="list-style-type: none"> 1. Coloque todas las cuatro ruedas en la misma posición relativa de altura. 2. Afíle o reemplace la cuchilla.



Por favor consulte con su centro de servicio SEARS más cercano para reparaciones más importantes que los ajustes menores listados arriba.

Sears se complace en ofrecer a sus clientes servicio de reparación de aparatos electrodomésticos y electrónicos de todas las marcas.

En Sears, usted puede contar con operadores en español, a los que puede llamar sin cargo alguno.

Para pedir servicio de reparación a domicilio,

Llame 24 horas al día, 7 días a la semana

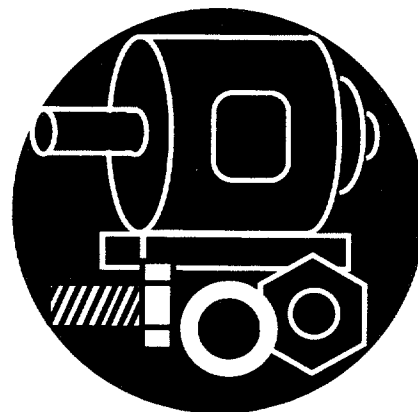
1 800-676-5811



Para ordenar piezas con entrega a domicilio,

Llame de 7 am a 7 pm, 7 días a la semana

1 800-659-7084



SEARS
REPAIR SERVICES

Free Manuals Download Website

<http://myh66.com>

<http://usermanuals.us>

<http://www.somanuals.com>

<http://www.4manuals.cc>

<http://www.manual-lib.com>

<http://www.404manual.com>

<http://www.luxmanual.com>

<http://aubethermostatmanual.com>

Golf course search by state

<http://golfingnear.com>

Email search by domain

<http://emailbydomain.com>

Auto manuals search

<http://auto.somanuals.com>

TV manuals search

<http://tv.somanuals.com>