

# IMAGE<sup>®</sup>

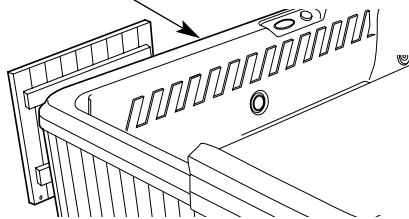
R E N E W

510

Model No. 831.105021

Serial No. \_\_\_\_\_

Write the serial number in the space above for reference. The serial number decal is found on the frame behind the access cover.



## USER'S MANUAL



To schedule repair service  
or to purchase parts  
call SEARS toll-free at:

**1-800-4-MY-HOME<sup>®</sup>**

(1-800-469-4663)

24 hours a day 7 days week

To purchase or inquire about a  
Sears Maintenance Agreement  
call SEARS toll-free at:

**1-800-361-6665**



### **⚠ CAUTION**

Read all precautions and instructions in this manual before using this equipment. Save this manual for future reference.



Visit our website at

[www.imagefitness.com](http://www.imagefitness.com)

---

# TABLE OF CONTENTS

IMPORTANT SAFETY INSTRUCTIONS .....	3
BEFORE YOU BEGIN .....	6
CHOOSING A LOCATION FOR THE HYDROTHERAPY SPA .....	7
SET-UP AND ASSEMBLY .....	8
USING THE HYDROTHERAPY SPA .....	10
MAINTENANCE .....	14
TROUBLE-SHOOTING .....	18
PART LIST .....	20
EXPLODED DRAWING .....	21
ORDERING REPLACEMENT PARTS .....	.Back Cover
LIMITED WARRANTY .....	.Back Cover

# IMPORTANT SAFETY INSTRUCTIONS

**⚠ WARNING:** TO REDUCE THE RISK OF DROWNING, ELECTRIC SHOCK, OR SERIOUS INJURY, READ THE FOLLOWING IMPORTANT PRECAUTIONS BEFORE USING THE HYDROTHERAPY SPA.

## READ AND FOLLOW ALL INSTRUCTIONS

1. It is the responsibility of the owner to ensure that all users of the hydrotherapy spa are adequately informed of all precautions.
2. Use the hydrotherapy spa only as described in this manual.
3. The hydrotherapy spa is intended for home use only. Do not use the spa in any commercial, rental, or institutional setting.
4. Use the hydrotherapy spa only on a level surface. Do not use the spa on carpet or other materials that could be damaged by moisture. Do not use the spa on rough or sharp surfaces such as gravel or wood chips.
5. The hydrotherapy spa will weigh approximately 2,000 pounds (908 kgs) when it is filled with water. Be sure that the location you select for the spa will support this weight plus the weight of the occupants.
6. Inspect and tighten all parts regularly; replace any worn or missing parts immediately.
7. **DANGER**—Risk of injury: Do not remove or alter the covers on the suction fittings. Never operate the hydrotherapy spa if the suction guard is missing or broken. If you need to replace a suction fitting, be sure to use only manufacturer-recommended parts. Keep hair and body away from the suction guard. Do not allow long hair to float freely in the water; long hair should be restrained with a bathing cap.
8. **IMPORTANT:** Do not allow the hydrotherapy spa to be exposed to direct sunlight when it is empty. The surface of the spa shell can reach temperatures as high as 150°F (65°C) in a matter of minutes if exposed to the sun while it is empty. These high temperatures can cause significant damage, such as blistering of the shell surface and warping of the spa shell. Any damage caused by sun exposure is not covered under warranty.
9. Do not bring any object into the hydrotherapy spa that could damage the spa shell.
10. Never insert any object into any opening.
11. Do not use breakable containers near or in the hydrotherapy spa.
12. Do not sit on the spa cover or place objects on it. It is not designed to support weight.
13. Remove any water or debris that may collect on the spa cover.
14. Keep children under 12 and pets away from the hydrotherapy spa when it is not in use.
15. Keep all chemicals away from children and pets.
16. The pH and chemical balance of the water must be maintained as explained in this manual (see pages 10 and 14). Failure to do so may cause injury to users or damage to the spa, and will void the warranty.
17. Individuals with infections and open sores or wounds should not use the hydrotherapy spa. Bacteria thrive in warm and hot water. Always keep the spa disinfected and maintain the proper chemical balance.
18. Shower before and after using the hydrotherapy spa. This will remove any deodorant, perspiration, or body oils that could contaminate the water. Showering after will remove any residual chemicals and any bacteria that may have been in the spa.
19. **WARNING**—The Ground Fault Circuit Interrupter (GFCI), must be tested before each use. To test the GFCI, press the “test” button while the spa is running. The spa should shut off. Press the “reset” button. The spa should resume normal operation. If the spa continues to run after the “test” button is pressed, then the GFCI is damaged.

Do not use the spa until the GFCI has been repaired or replaced by a qualified electrician.

20. Keep all electrical appliances such as radios, telephones, televisions, and lights at least five feet (1.5 m) away from the water.
21. **DANGER**—Risk of electric shock: Do not set up the hydrotherapy spa within five feet (1.5 m) of any metal objects or surfaces. As an alternative, you may use the spa within five feet (1.5 m) of metal objects if each metal object is permanently connected to the bonding LVG on the controller of this unit by a minimum No. 6 AWG (13.3 mm<sup>2</sup>) solid copper conductor. At least two lugs marked “BONDING LUGS” are provided on the external surface or on the inside of the supply terminal box or compartment. To reduce the risk of electric shock, connect the local common bonding grid in the area of the hot tub or spa to these terminals with an insulated or bare copper conductor not smaller than 6 AWG. All field-installed metal components such as rails, ladders, drains, or other similar hardware within 3 m of the spa or hot tub shall be bonded to the equipment grounding bus with copper conductors not smaller than 6 AWG.
22. Do not operate the pump motor when the hydrotherapy spa is empty. The pump motor may be seriously damaged if it is operated without water circulating. The cut-off valves must always be open when using the spa (see step 2 on page 8).
23. **DANGER**—Risk of drowning: Exercise extreme caution to prevent unauthorized and unsupervised use of the hydrotherapy spa by children. Children must always be supervised.
24. **DANGER**—To reduce the risk of drowning:
  - Never use the hydrotherapy spa alone;
  - Children should not use the spa unless they are supervised by an adult;
  - Keep pets away from the spa at all times;
  - Always replace and lock the spa cover when the hydrotherapy spa is not in use.
25. **WARNING**—To reduce the risk of injury: The water temperature should never exceed 104°F (40°C). Water temperature in excess of 100°F (38°C) may be injurious to your health. If you plan to remain in the hydrotherapy spa for more than 10 to 15 minutes, lower the temperature to 100°F (38°C) or below. Lower temperatures are also recommended for children. Children should not be allowed to swim under the surface of the water in the spa.
26. **WARNING**—To reduce the risk of injury: Always use an accurate thermometer to determine the water temperature before using the hydrotherapy spa.
27. **WARNING**—To reduce the risk of injury: Pregnant women should consult with their physician before using the hydrotherapy spa. Pregnant women should not use the spa if the water temperature is above 100°F (38°C); the unborn child could be seriously harmed. This is especially important during the first 90 days of the pregnancy.
28. **DANGER**—To reduce the risk of drowning: Prolonged immersion in the hydrotherapy spa may cause hyperthermia, a dangerous condition which occurs when the internal body temperature rises several degrees above the normal body temperature of 98.6°F (37°C). The symptoms of hyperthermia are nausea, dizziness, drowsiness, and fainting. Effects include: a lack of awareness, inability to perceive heat or danger, and a greater risk of drowning due to a loss of consciousness. *Special note: Individuals suffering from hyperthermia may be unable to realize that they must exit the spa, and they also may be physically unable to do so.*
29. **WARNING**—To reduce the risk of drowning: Do not use the hydrotherapy spa if you are under the influence of alcohol or drugs. Heat from the water, in conjunction with alcohol or drugs, can cause unconsciousness.
30. **WARNING**—To reduce the risk of injury or drowning: Consult your physician about possible side-effects of any medications you may be taking before using the hydrotherapy spa. Heat from the water, in conjunction with some medications may cause drowsiness and increase the risk of drowning. Others can effect blood pressure, heart rate, and circulation.
31. Do not use the hydrotherapy spa immediately after strenuous exercise.
32. **WARNING**—To avoid injury, exercise care when entering or exiting the spa.

33. **WARNING**—To reduce the risk of injury: It is especially important for persons over the age of 35 or persons with pre-existing health problems, such as obesity, heart disease, high or low blood pressure, circulatory problems, or diabetes to consult their physician before using this product.

34. **WARNING**—The included warning sign must be posted where all users of the spa can see and read it (see **POSTING THE WARNING SIGN** on page 13).


35. **CAUTION**—The hydrotherapy spa is not designed for in-ground installation. Do not install the hydrotherapy spa in-ground.

36. **WARNING**—Disconnect the electric power supply before servicing the spa.


37. If you feel pain or dizziness at any time while using the hydrotherapy spa, discontinue use and contact a physician.

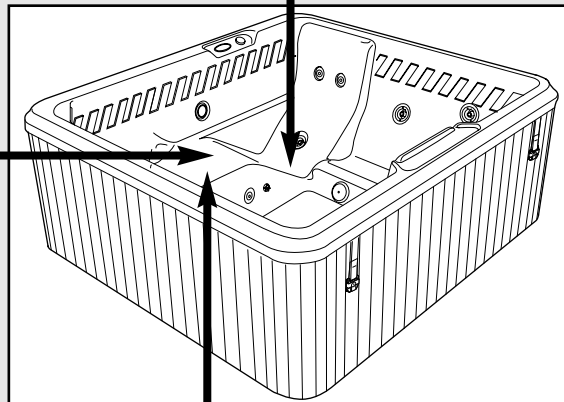
38. **Minimum Electrical Ratings:**


- 240 Volt Minimum Supply Conductor Ampacity: 40 Amps
- 240 Volt Minimum Breaker/Fuse: 40 Amps


39. A green terminal or a terminal marked **G**, **GR**, **Ground**, **Grounding**, or with the  symbol is located inside the supply terminal box or compartment. To reduce the risk of electric shock, this terminal must be connected to the grounding means provided in the electric supply service panel with a continuous copper wire equivalent in size to the circuit conductors supplying this equipment.


40. **WARNING DECAL PLACEMENT:** Locate the decals at right and familiarize yourself with this information.

 <b>WARNING</b>	
<b>PREVENT DROWNING</b> <ul style="list-style-type: none"><li>• Supervise your children at all times.</li><li>• Attach spa cover after each use.</li><li>• Spa heat can cause hyperthermia and unconsciousness.</li><li>• Spa heat in conjunction with alcohol, drugs, or medication can cause unconsciousness.</li></ul>	<b>PREVENT ELECTROCUTION</b> <ul style="list-style-type: none"><li>• Never place any electrical appliance within 5 feet of spa.</li><li>• Read and follow owner's manual and instructions</li></ul>
Note: This marking is to be removed only by the owner	



 <b>WARNING</b>	
<ul style="list-style-type: none"><li>• Water temperatures in excess of 38° C may be injurious to health.</li><li>• Disconnect the electric power before servicing.</li><li>• To avoid injury, exercise care when entering or exiting the spa.</li><li>• Test the ground fault circuit interrupter before each use of the spa.</li><li>• Do not install equipment in a pit.</li><li>• Read the instruction manual.</li><li>• Connect only to a circuit protected by a Class A ground fault circuit interrupter.</li></ul>	

 <b>WARNING</b>	
Continuous exposure of the spa surface to direct sunlight or ultra-violet rays may cause damage to the spa's surface, will void the warranty, and will result in potentially hazardous surface temperatures. To avoid sun damage, the cover should be in place when the spa is not in use.	

 **WARNING:** Read all instructions before using the hydrotherapy spa. ICON assumes no responsibility for personal injury or property damage sustained by or through the use of this product.

**SAVE THESE INSTRUCTIONS**

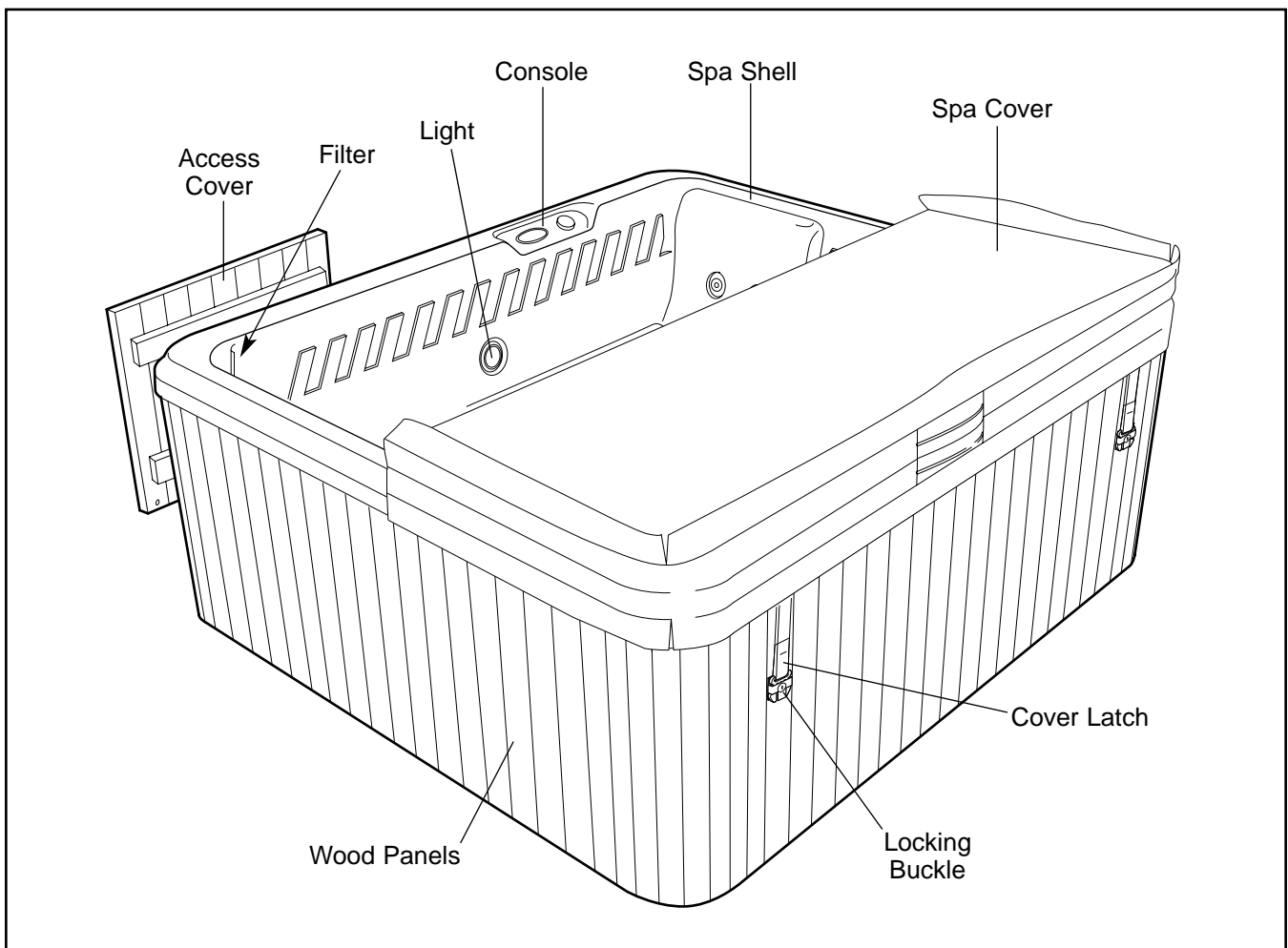
# BEFORE YOU BEGIN

Thank you for selecting the innovative IMAGE® RENEW 510 hydrotherapy spa. The RENEW 510 offers the features and quality of a traditional hot tub at an affordable price. Best of all, the RENEW 510 provides the benefits of hydrotherapy in the comfort and privacy of your own home.

Hydrotherapy is a proven method for soothing tired muscles after exercise or for relieving the stress of a busy life. The warm environment stimulates blood flow, which is essential in the healing process, and the powerful massage action further eases tension and stress throughout the body. The RENEW 510 gives you the specialized treatment you need to feel your best.

**For your safety and benefit, read this manual carefully before using the RENEW 510.** If you have additional questions, please call our Customer Service Department toll-free at SEARS 1-800-4MYHOME (469-4663), or SEARS 1-877-LEFOYER (533-6937) 24 hours. To help us assist you, please note the product model number and serial number before calling. The model number is 831.105021. The serial number can be found on a decal attached to frame inside the spa (see the front cover of this user's manual).

Before reading further, please familiarize yourself with the parts that are labeled in the drawing below.



---

# CHOOSING A LOCATION FOR THE HYDROTHERAPY SPA

There are many factors to consider when choosing a location to set up the hydrotherapy spa. These factors vary depending on whether you use the hydrotherapy spa inside or outside. We have listed several factors you may wish to consider as you decide where you want to use the hydrotherapy spa.

## **If you set up the hydrotherapy spa inside:**

1. The hydrotherapy spa will increase the level of humidity in your home. The location you choose should be well ventilated. You may need to install a ventilation fan or use a dehumidifier.
2. The hydrotherapy spa should be close to a source of water.
3. Do not use the hydrotherapy spa on carpet or other material that may be damaged by moisture. We recommend that you place the spa on a water- and stain-resistant, non-slip surface with a floor drain for any water that may splash from the spa.
4. Be sure that the location you choose is stable. It must be able to support the weight of the hydrotherapy spa when it is filled with water plus the weight of the occupants. The hydrotherapy spa weighs approximately 2,000 pounds (908 kgs) when filled with water.
5. Do not use the hydrotherapy spa above a finished living area due to the risk of water damage.
6. Be sure that there is room around the hydrotherapy spa to permit servicing of the unit. The dimensions of the spa are: 5' 10" W x 6' 4" L x 2' 6" H (153 cm x 183 cm x 61 cm). Make sure to allow for this size when choosing the location.
7. The hydrotherapy spa is not designed for in-floor installation. However, it is compatible with a deck system that is built flush with the top of the spa, provided you leave access to the motor for service.
8. Make sure to consider such factors as aesthetics or privacy that may affect the safety or enjoyment of using the hydrotherapy spa.

## **If you set up the hydrotherapy spa outside:**

1. You should check your local building codes concerning the use of outdoor spas.
2. The hydrotherapy spa should be close to a source of water.
3. We recommend that you place the hydrotherapy spa on a water- and stain-resistant, non-slip surface. Do not use the spa on rough or sharp surfaces such as gravel or wood chips.
4. Be sure that the location you choose is stable. It must be able to support the weight of the hydrotherapy spa when it is filled with water plus the weight of the occupants. The hydrotherapy spa weighs approximately 2,000 pounds (908 kgs) when filled with water.
5. Think about environmental factors, such as rain, wind, shade, sunlight, and so forth.
6. You should be able to monitor the use of the hydrotherapy spa from your home, to prevent unauthorized use by children. You may want to enclose the spa with a fence and self-latching gate to prevent unauthorized use.
7. Be sure that there is room around the hydrotherapy spa to permit servicing of the unit. The dimensions of the spa are: 5' 10" W x 6' 4" L x 2' 6" H (153 cm x 183 cm x 61 cm). Make sure to allow for this size when choosing the location.
8. The hydrotherapy spa is not designed for in-ground installation. However, it is compatible with a deck system that is built flush with the top of the spa, provided you leave access to the motor for service.
9. Make sure to consider such factors as aesthetics or privacy that may affect the safety or enjoyment of using the hydrotherapy spa.

# SET-UP AND ASSEMBLY

**Before beginning assembly, carefully read the following information and instructions:**

- Place all parts in a cleared area and remove the packing materials from the spa shell; do not dispose of the packing materials until assembly is completed and the spa is in operation.
- Assembly requires two people.
- Note: Some small parts may have been pre-attached for shipping. If a part is not in the parts bag, check to see if it has been pre-attached.

- During assembly, make sure that all parts are oriented as shown in the drawings.
- Read each assembly step before you begin.
- Tighten all parts as you assemble them, unless instructed to do otherwise.

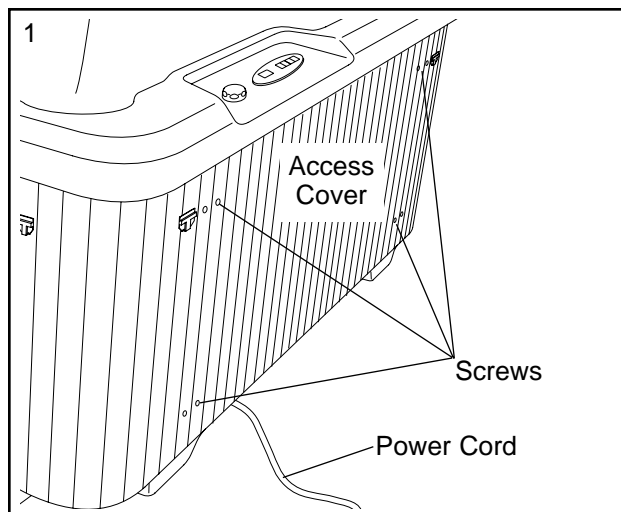
**ASSEMBLY REQUIRES THE FOLLOWING TOOLS (not included):**

- One (1) phillips screwdriver 

1. **Before beginning assembly, make sure that you have read and understand the information on the previous two pages.**

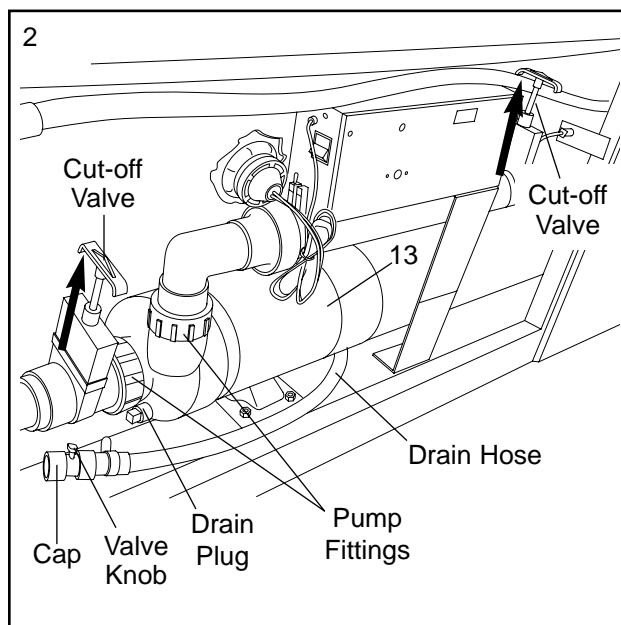
Remove the four screws from the access cover on the console side of the spa. Remove the access cover by sliding it down and then pulling the bottom of it away from the spa. **Be careful not to damage the spa shell.**

Remove the Power Cord with the GFCI from inside the spa.



2. Locate and check the positions of the two cut-off valves. The cut-off valves may have been closed at the factory during manufacturing. However, the cut-off valves must be open for spa operation. To open the valves, hold the handles and turn them until you can pull them out to the open position. **IMPORTANT: THE MOTOR WILL BE DAMAGED IF IT IS OPERATED WITH THE CUT-OFF VALVES CLOSED.**

Close the valve knob on the drain hose. Thread the cap onto the drain hose. Thread the drain plug into the Pump Motor (13). Tighten the two pump fittings.





3. Remove the two warning decals (not shown) from the spa shell. Wipe out the spa shell using a damp cloth. Before you fill the spa, make sure that it is in the desired position and that it can easily be serviced. Once the spa is filled with water, it must be drained before it can be moved.

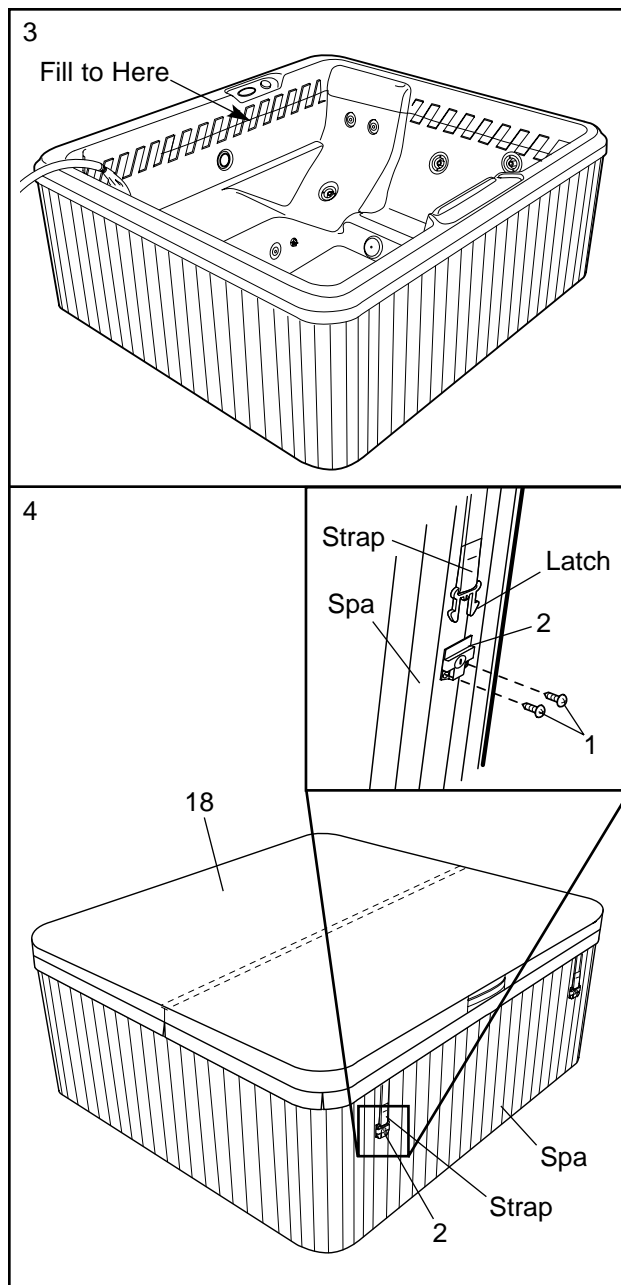
Using a garden hose or other clean water source, begin filling the spa. **Do not use soft water.** You may fill the spa with cool water; however, if you use warm or hot water, the spa will be ready to use sooner. Fill the spa until the water is about four inches (10 cm) below the console. **Do not overfill the spa.**

4. Place the Spa Cover (18) over the spa. **Make sure that the Spa Cover is centered.**

Snap a Buckle (2) onto each of the four latches on the Spa Cover (18).

Pull down one of the straps on the Spa Cover (18) and hold the Buckle (2) against the wood panels on the side of the spa. (Note: To position the Buckle correctly, have a second person hold the strap on the opposite side of the Spa Cover tight.) **The Spa Cover must be tight. Do not place the Buckle over the grooves between the wood panels.** Refer to the inset drawing. Remove the latch from the Buckle (2). Attach the Buckle to the wood panel with two Buckle Screws (1). **Note: It may be helpful to use a drill with a 1/16" bit to make starter holes in the wood panel. It may also be helpful to apply a little soap or wax to the screw threads.**

Attach the other three Buckles (2) to the wood panels in the same way.



5. Before using the spa, follow the instructions on page 13 to post the included warning sign. **Do not allow the spa to be used before the warning sign is posted.**

# USING THE HYDROTHERAPY SPA

The hydrotherapy spa is designed to seat two adults. The ten thera-jets can be regulated to provide a relaxing massage to sooth away stress, and the strength of the water massage can be adjusted by the air control. The hydrotherapy spa holds 200 gallons (167 imperial gallons) of water and offers an automatic, programmable heating (70°F to 104°F [21°C to 40°C]) and filtration system.

The guidelines below explain how to properly use the hydrotherapy spa. Follow these guidelines to maintain the hydrotherapy spa for your long-term enjoyment.

## PLUGGING IN THE HYDROTHERAPY SPA

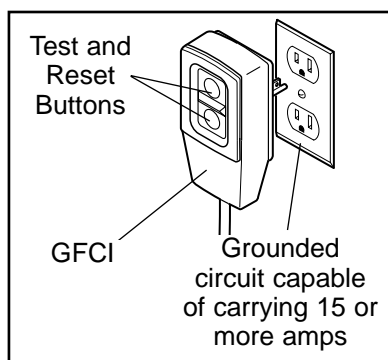
Important: The hydrotherapy spa is equipped with a 120/240V convertible electronics package. Operation at 240V will allow the heater to run more efficiently and less often. **Conversion of the spa to 240V operation must be performed only by a qualified, licensed electrician and must comply with all local, state, and federal electrical codes.** Please refer to the instructions on the inside of the electronics package for information about converting the spa to 240V operation.

Once the hydrotherapy spa is filled with water, the power cord can be plugged in and the spa can be turned on. Note: The first time the power cord is plugged in, the spa will turn on automatically.

When connecting the power cord, plug the power cord directly into a grounded circuit capable of carrying 15 or more amps. No other appliance should be on the same circuit. Replace the power cord immediately if it becomes damaged.

There is a Ground Fault Circuit Interrupter (GFCI) on the end of the power cord. Always test the GFCI before using the hydrotherapy spa.

First, turn on the spa by pressing the jet control on the console (see USING THE CONSOLE on page 13). Once the unit is running, press the GFCI "test" button. The spa should shut off. Press the "reset" button. The spa should resume normal operation. If the spa continues to run after the "test" button is pressed, the GFCI is damaged. Do not use the spa until the GFCI has been repaired or replaced by a qualified electrician.



## TESTING AND TREATING THE WATER

The hydrotherapy spa comes with a starter chemical pack for maintaining the water in the spa. Disregard the directions on the individual packages of "QUICK pHix It DOWN" and "QUICK pHix It UP." However, the directions on the bottle of "Non-chlorine Shox" and "Bromine Base" are correct. **Always keep the chemicals away from children and pets.**

The first time you use the spa, you should test and treat the water. **You must also treat the water each time you refill the spa.** Once you have verified that the spa is functioning properly, and the water has circulated for a while, remove the spa cover and add 1/3 of the "Bromine Base" bottle, and 1/3 of the "Non-chlorine Shox" bottle to the water. Allow the water to circulate for five minutes. You should now test the pH of the water using the included pH test kit. The pH reading should be between 7.2 and 7.8.

If the level is too low, add one teaspoon from one of the "QUICK pHix It UP" packets to the water. Let the water circulate through the spa for five minutes. Test the pH level again. Repeat until the pH level is correct.

If the level is too high, add one teaspoon from one of the "QUICK pHix It DOWN" packets to the water. Let the water circulate through the spa for five minutes. Test the pH level again. Repeat until the pH level is correct.

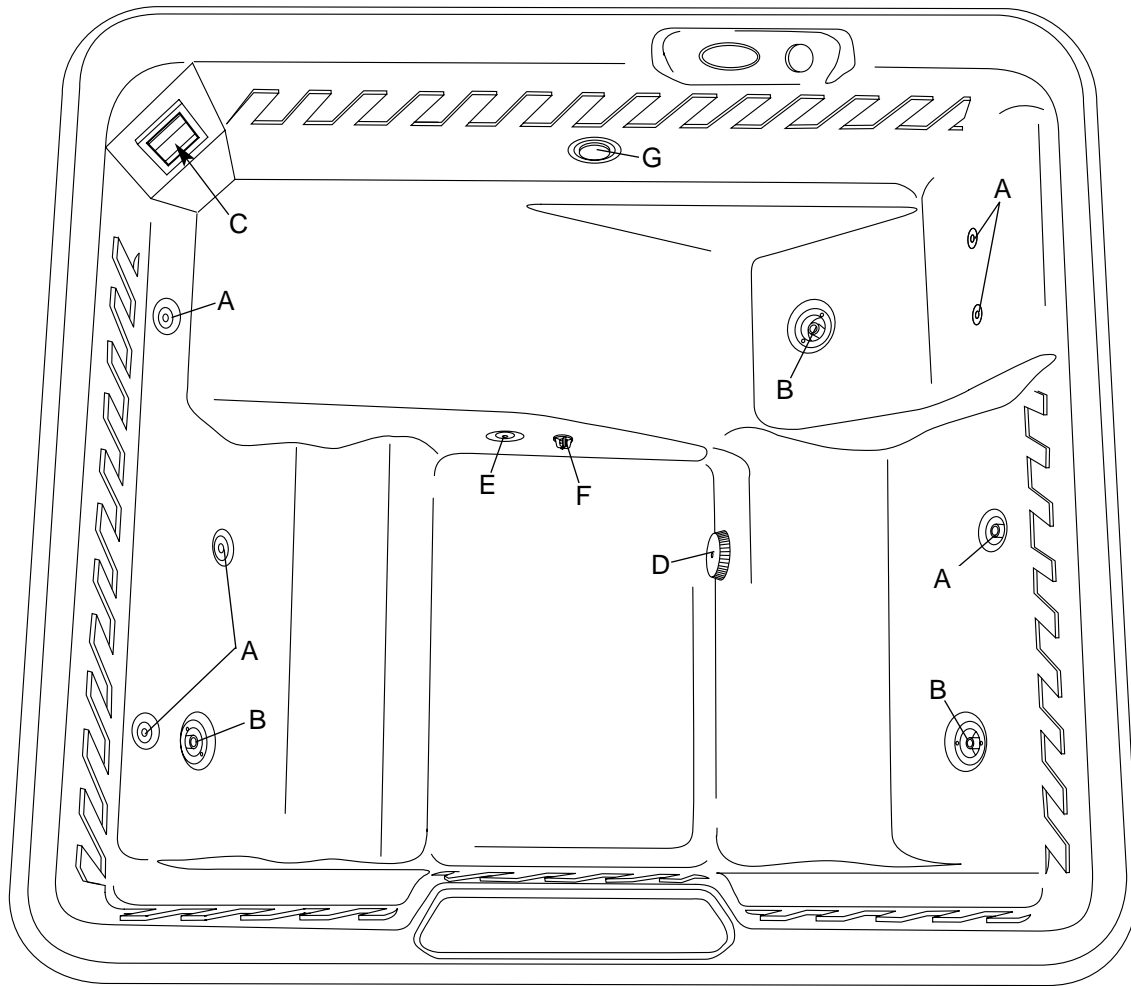
See WATER CHEMISTRY on page 14 for information concerning proper water maintenance.

## STARTING THE HYDROTHERAPY SPA

Once you have tested the GFCI, you should verify the water flow from the pumping unit. Set the air control on the console to the lowest setting (see USING THE CONSOLE on page 12). The pumping unit will heat the water as it pumps. Cover the hydrotherapy spa with the spa cover. **The spa cover must be tight.** (See SECURING THE SPA COVER on page 13.) The water will heat at about 2.0°F (1°C) an hour with the cover on. If you are using the spa indoors, and the room temperature is maintained at 70°F (21°C), it will take approximately 24 to 26 hours for the water to reach the set temperature.

The temperature and water flow can be set or changed by the controls on the console (see USING THE CONSOLE on page 12).

## SPA SHELL DIAGRAM



### SPA OPERATION

Refer to the diagram above. The function of each component is explained below:

The **six uni-directional thera-jets (A)** are located on the sides of the spa. Five jets focus a water massage on your upper or lower back. The remaining jet provides a foot hydro-massage when you are in the reclining seat.

The **three multi-directional thera-jets (B)** can be adjusted for a custom hydro-massage. One of the jets is located on the reclining seat and focuses the water massage on your lower back. Another jet is located on one of the bench seats, below a uni-directional thera-jet, and focuses a water massage on your lower or middle back. The remaining jet, located on the other bench seat, focuses a water massage on your upper or lower back.

Note: Each thera-jet can be shut off by being pressed in and turned back on by being pulled out.

The **filter (C)** can be removed for cleaning and replacement (see page 17).

The **suction vent (D)**, located near the floor of the spa, brings the water into the pump, in order to operate the system. The suction cover should always be in place over the suction vent. **Never operate the spa without the suction cover in place.**

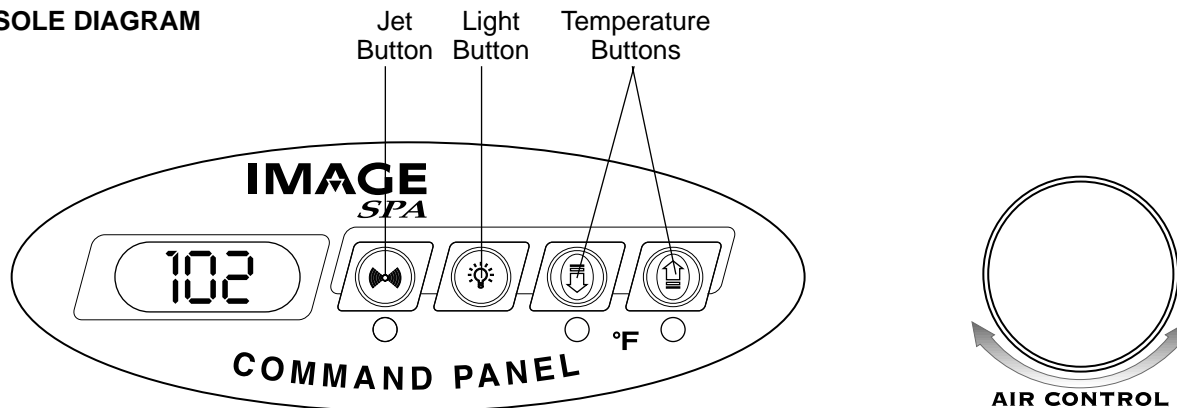
This spa is ozone ready. An optional ozone generator can be installed to utilize the **ozone jet (E)**. Ozone provides a way to help sanitize your spa with minimal chemical treatment.

The temperature probe (F) reads the current water temperature, which is displayed on the console.

The spa also has a light (G) for evening use.

The spa features automatic freeze protection. If the water temperature falls below 40°F (4°C), the pump will begin circulating and heating the water to prevent the water from freezing.

## CONSOLE DIAGRAM



Refer to the diagram above. The function of each control is explained below:

**Temperature Buttons:** Control the temperature setting of the water. The temperature can be set from 70°F to 104°F. The water heats at about 1.8°F per hour with the cover on. Use a medical or other accurate thermometer to check the temperature of the water. Note: The word "COOL" will appear in the console display if the temperature of the water is more than 20°F cooler than the set temperature. When this happens, the heater will automatically activate to warm the water. The word "ICE" will appear in the display if the temperature drops below 40°F. If this happens, the pump will automatically circulate the water and warm the plumbing to keep the water from freezing.

The temperature buttons can also be used to change the filter cycle time. First, press either of the temperature buttons. While the console display is flashing, press the jet button. The letters "FC" should appear in the display. Next, press the temperature buttons to select a 2-, 4-, or 6-hour filter cycle time. Then, press the jet button again. If the filter cycle time is not changed, it will default to 2 hours.

**Jet Button:** Turns the spa jets on and off. If the button is pressed once, the spa jets will run at low speed, providing gentle hydrotherapy. If the button is pressed again, the jets will run at high speed, providing more intense hydrotherapy. If the button is pressed a third time, the jets will shut off.

The spa also features an automatic mode that heats and filters the water when the spa is left unattended. When the spa is first plugged in, or if the buttons on the console have not been pressed for longer than twenty minutes, the automatic mode will begin filtering or heating the water as needed. **Note: To keep the filter and heat cycles from running, the power cord must be unplugged.**

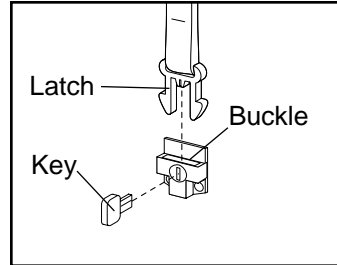
**Light Button:** Turns the underwater light on and off.

**Air Control:** Determines the amount of air flowing through the hydrotherapy jets during operation. If the control is turned counterclockwise, the amount of air flowing through the jets will increase. If the control is turned clockwise, the amount of air will decrease.

## SECURING THE SPA COVER

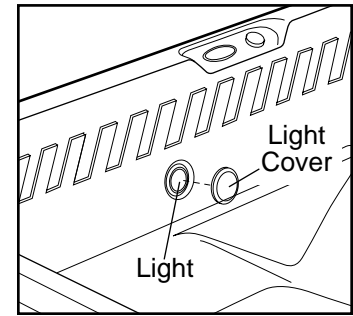
To secure the spa cover, snap the latches on the spa cover into the buckles on the side panels.

To lock the buckles, insert the key and turn it clockwise 1/4 turn. To unlock the buckles, insert the key and turn it counter-clockwise 1/4 turn.



## ATTACHING THE RED AND BLUE LIGHT COVERS

The spa comes with red and blue light covers for the spa light. To attach one of the light covers, center it over the spa light and press it into place.



**Always keep the buckles locked when the spa is not in use. Keep the keys in a safe place, out of the reach of children.**

---

## POSTING THE WARNING SIGN

The included warning sign, shown below, must be posted on a wall or fence where it will be visible to all users of the spa. Whenever the spa is moved, the sign must also be moved and reposted near the spa. If the sign becomes lost or illegible, call our toll-free Customer Hot Line at **SEARS 1-800-4MYHOME (469-4663)**, or **SEARS 1-877-LEFOYER (533-6937) 24 hours a day** to obtain a free replacement sign. Post the sign as described above.

# **WARNING**

**DURING PREGNANCY, SOAKING IN HOT WATER MAY CAUSE DAMAGE TO THE FETUS. LIMIT USE TO 10 MINUTES AT A TIME.**

### PREVENT DROWNING

- Spa heat speeds up the effect of alcohol, drugs, or medicine and can cause unconsciousness.
- Immediately leave spa if uncomfortable or sleepy.

### PREVENT CHILD DROWNING

- Water attracts children.
- Always attach spa cover after each use.

# MAINTENANCE

The hydrotherapy spa is designed to provide you with years of enjoyment. Please follow the guidelines below to properly maintain the spa.

## MAINTENANCE SCHEDULE

### DAILY

- Check the water level and refill the spa to the level shown in step 3 on page 9.
- Check the pH balance and sanitizer level. Adjust if necessary (see WATER CHEMISTRY below).
- Clean the surface of the water with a skimming net.

### WEEKLY

- Clean the spa shell at the waterline.
- Check and thoroughly clean the filter (see CHECKING AND CLEANING THE FILTER on page 17).
- Replace the filter if needed (see ORDERING REPLACEMENT PARTS on the back cover).

### MONTHLY

- Clean the spa cover (see MAINTAINING THE SPA COVER on the right).
- Soak the filter for two hours in a trisodium phosphate (TSP) solution. Rinse the filter in clean water.
- Replace the filter if needed (see ORDERING REPLACEMENT PARTS on the back cover).

### EVERY THREE MONTHS

- Drain the spa and refill with clean water. Sanitize and test the pH of the water.
- Check for any leaks around the pump or joints in the pipes. The seals will wear out over time; detecting leaks early can reduce repair costs.
- Clean the interior of the spa. Do not use solvents or waxes.

### EVERY SIX MONTHS

- Treat the exterior with a wood sealant (see MAINTAINING THE SPA EXTERIOR below).

## MAINTAINING THE SPA EXTERIOR

The wood panel exterior has been treated with a sealant at the factory to protect the wood from water damage. We suggest that you treat the wood finish twice a year with an additional coat of weather sealant. Contact your local spa and pool supplier for advice on which sealants work best in your climate.

## CLEANING THE SPA SHELL

The spa shell should be cleaned with a mild soap solution. Do not use solvents. The spa should always be clean and dry before being moved or stored.

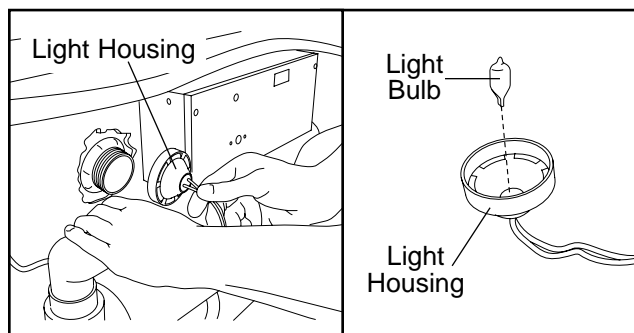
## MAINTAINING THE SPA COVER

The spa cover should be cleaned monthly. To clean the spa cover, use water and a non-abrasive cleaner on the entire cover. Rinse the cover with a garden hose to remove any cleaner residue. Dry the cover entirely. You should also use a non-silicone based vinyl conditioner on the cover after you clean it. This will help protect the cover from sun damage.

## REPLACING THE LIGHT BULB

If the light bulb in the spa burns out, first remove the access cover to replace it (see ATTACHING AND REMOVING THE ACCESS COVER on page 15).

Locate the light housing. Turn the housing counter-clockwise and remove it from the spa shell.



To replace the light bulb, pull the old bulb out of the housing and insert a new bulb. Re-attach the light housing to the spa shell. Re-attach the access cover to the spa.

## SANITIZING THE SPA

Please refer to your local pool and spa supplier for information concerning which chemicals you should use in your area to sanitize the spa.

The most common sanitizing agent is a solid bromine concentrate. The amount required varies according to several factors, such as user load, temperature, water conditions, and so forth.

Proper water maintenance is a complex process. Contact your local pool and spa supplier for information on how you should accomplish this.

## WATER CHEMISTRY

The hydrotherapy spa comes with a starter chemical pack for maintaining the water in the spa. (See TESTING AND TREATING THE WATER on page 10.)

Additional chemicals can be purchased at a pool and spa supply store.

**CAUTION: The chemicals used to maintain the pH balance of the water and to sanitize the water can be dangerous. Always follow these basic guidelines when handling the chemicals:**

1. Always read and follow the directions on the label, unless directed otherwise.
2. Never mix different chemicals.
3. Do not exceed the recommended amounts of chemicals—follow the directions on the label closely.
4. Keep all chemicals out of the reach of children and pets.
5. Keep all containers closed tightly when not in use.
6. Never add water to the chemicals—always add the chemicals to the water as directed.
7. Always store chemicals in a cool, dry place.

### MAINTAINING THE PROPER PH BALANCE

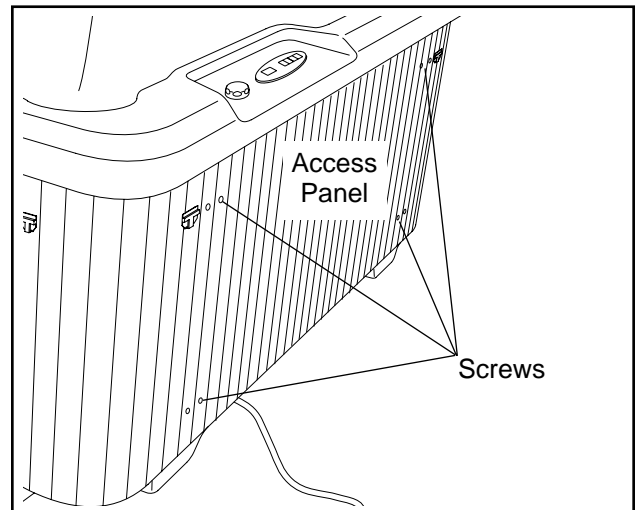
The pH factor is a measure of relative acidity or alkalinity in the water. It is measured on a scale of 1 to 14. Pure water has a value of 7, which is neutral. Any value above 7 is alkaline, and any value below 7 is acidic. You should maintain a slightly alkaline pH level, between 7.2 and 7.8, in the hydrotherapy spa.

Severe problems can occur when the pH balance is not maintained within this range. If the pH level exceeds 7.8, dissolved minerals can build-up and clog the plumbing in the spa jet unit. If the pH level falls below 7.2, the acid level in the water will begin to corrode the metal parts in the spa jet unit. Also, the sanitation agents in the water will not be effective if the pH level is not properly maintained. Damage caused by improper pH levels is not covered under the warranty.

To maintain the proper pH level, you should test the pH of the water regularly, using the included pH test kit. The pH reading should be between 7.2 and 7.8. If the level is too low, add a pH increaser (usually soda ash). If the level is too high, add a pH reducer (usually sodium bisulfate). Test the water again after five minutes. See the instructions with your pH test kit for additional information about testing and adjusting the pH.

### ATTACHING AND REMOVING THE ACCESS COVER

To locate the access cover, refer to the drawing on page 6. Turn off the power to the spa. To remove the access cover, first remove the four access cover screws. Slide the access cover down and then pull the bottom of it away from the spa. **Be careful not to damage the spa shell as you remove the cover.**



If the spa will be stored for any period of time, place the power cord inside the spa before re-attaching the access cover.

To reattach the access cover, insert the top of the cover under the edge of the spa shell. Slide the cover up until the bottom of the cover clears the trim along the bottom of the spa. Slide the cover into place and re-attach it with the two access cover screws.

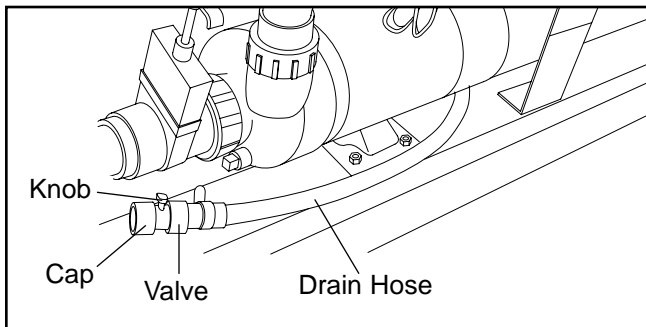
## DRAINING THE HYDROTHERAPY SPA

The hydrotherapy spa should be drained at least four times a year and refilled with clean water. You may need to drain the spa more often, depending on the user load. This must be done, because after repeated chemical treatment, the water becomes chemically saturated. Once this happens, additional chemical treatment of the water is no longer effective. The spa should also be drained if you will not be using it for long periods of time. The spa must always be drained before major repairs are made.

**The hydrotherapy spa should always be covered when it is empty. Direct sunlight can cause extensive damage. The surface of the spa shell can reach temperatures as high as 150°F (65.5°C) in a matter of minutes if exposed to the sun while it is empty. These high temperatures can cause significant damage, such as blistering of the shell surface and warping of the spa shell. Any damage caused by sun exposure is not covered under warranty.**

To drain the hydrotherapy spa, follow these steps:

1. Set the temperature control on the console to the lowest setting.
2. Unplug the power cord.
3. Remove the access cover from the back of the spa unit.
4. Remove the drainage hose from the clip and attach a garden hose to the valve on the drainage hose.
5. Open the valve by turning the knob counterclockwise. The water will begin to drain.
6. When the spa is empty, close the valve and remove the garden hose. Return the drainage hose to the clip and replace the access cover.
7. Refill the spa and treat the water with chemicals (see pages 9, 10, 14 and 15).



## DRAINING THE PUMP

After the hydrotherapy spa is drained (see DRAINING THE HYDROTHERAPY SPA above), the pump in the spa jet unit should also be drained if the hydrotherapy spa will be stored for more than thirty days, or if it may be exposed to freezing temperatures.

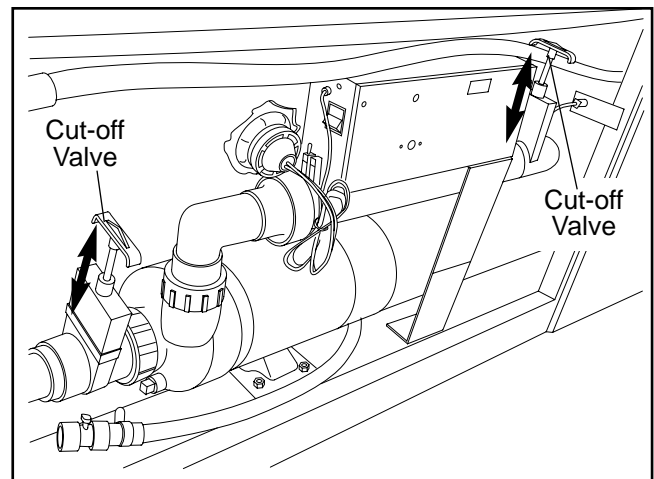
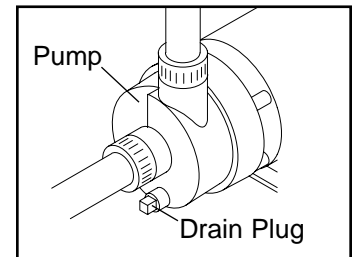
To drain the pump, remove the access cover from the spa unit (see ATTACHING AND REMOVING THE ACCESS COVER on page 15). Locate the pump inside the spa unit. Remove the drain plug from the pump. Tip the spa jet unit slightly, until all the water has drained from the pump. Replace the drain plug.

## OPENING AND CLOSING THE CUT-OFF VALVES

For minor repairs to the pump/motor, the cut-off valves can be closed. To close the valves, remove the access cover from the back of the spa unit. Locate both cut-off valves. Push the handles into the closed position and turn the handles until they lock into place.

If you are planning to work on the pump/motor, you will also need to drain the pump (see this page).

To open the valves, turn the handles until they are unlocked, and pull the handles out to the open position.





## WINTER USE AND CARE

The hydrotherapy spa is designed for year-round use. If you decide to store the hydrotherapy spa for the winter, store it in a warm, dry location. Follow the steps below to winterize the hydrotherapy spa.

1. Drain the spa (see DRAINING THE HYDROTHERAPY SPA on page 16).
2. Remove all remaining water from the spa shell. Dry the spa shell with towels.
3. Set the air control on the console to the lowest setting. Use a wet/dry vacuum to pull any remaining water from the system. To do this, place the vacuum nozzle over each thera-jet, starting with the highest jet and finishing with the lowest one.
4. Set the air control on the console to the highest setting and repeat step 3.
5. Drain the pump (see DRAINING THE PUMP on page 16). Once the water has drained from the pump, place the vacuum nozzle over the drainage hole in the pump and vacuum any additional water from the pump. **Note: For additional protection you can remove the pump/motor from the spa to store it in a climate controlled room.**
6. Clean the spa shell (see page 14).
7. Clean the filter (see this page).
8. Re-attach the access cover.
9. Re-attach the spa cover.

## CONVERTING THE SPA TO A 240 VOLT POWER SOURCE

The hydrotherapy spa is designed to operate with either a 120v power source or a 240v power source. For your convenience, the spa is shipped ready to accept a 120v power source. However, you can greatly improve the performance of the spa by converting the spa's power supply to receive power from a 240v power source. If the spa is converted, it must be wired directly into an approved 240v GFCI in your home by a licensed, qualified electrician in accordance with all local, state, and national electrical codes.

## CHECKING AND CLEANING THE FILTER

The filter should be checked periodically for build-up of dirt and oil. To check or clean the filter, it is necessary to remove the basket and the two filter cartridges from the filter housing.

### Removing and Cleaning the Basket:

1. Turn off the power.
2. Locate the filter housing in one corner of the spa. Grip the tab on the filter door and pull it open.

3. Reach into the basket with four fingers and pull the basket towards you until it snaps free.
4. Lift the basket out of the filter housing by pulling on the handle on the far side and turning the basket towards you.
5. Clean the basket by spraying it with a garden hose or holding it under a faucet. **Note: Avoid hitting the basket against objects to clean it, since this may break the basket.**
6. Put the basket back into the housing and press it down until it snaps into place.
7. Close the filter door.

### Removing and Cleaning the Filter Cartridges:

1. Follow steps 1 through 4 at the left to remove the basket.
2. Reach into the housing and locate the plastic diverter on top of the filter cartridges. Rotate the valve on the diverter until it is fully open.
3. Stick two fingers into the holes in the diverter and lift the diverter and the upper filter cartridge directly upwards until the edge of the diverter clears the housing. Then, tip the diverter towards yourself and pull it out. Note: If the diverter comes off the filter cartridge, reach into the housing and lift out the upper filter cartridge.
4. Lift the lower filter cartridge out of the housing.
5. Clean the filter cartridges with a garden hose or under a faucet. Spray each pleat from top to bottom. **Note: To avoid damaging the filter cartridges, do not use a brush to clean them.**
6. To remove body oils or sun tan lotions, soak the filter cartridges in a cleaning solution purchased from a pool and spa supply store.
7. Inspect the filter cartridges for damage. Replace the filter cartridges if there is any sign of damage.
8. Put one filter cartridge back into the housing.
9. Push the tube on the diverter into the other filter cartridge as far as it will go. Put the other filter cartridge into the housing.
10. Put the basket back into the housing and press it down until it snaps into place. Close the filter door.

## ADJUSTING THE FILTER DIVERTER

The diverter regulates the flow of water to the filter in order to make the pump run smoothly. Open the diverter fully to begin with. If the pump runs smoothly, no further adjustment is necessary.

If the pump begins to cavitate (if you hear a "cracking" sound or if the speed of the pump surges up then slows down repeatedly), turn the valve slightly to reduce the water flow. Keep adjusting the valve in small increments until the pump runs smoothly.

# TROUBLE-SHOOTING

Most problems can be solved by following the simple steps below. Find the symptom that applies, and follow the steps listed. If further assistance is needed, call our Customer Service Department toll-free at SEARS 1-800-4MYHOME (469-4663), or SEARS 1-877-LEFOYER (533-6937), 24 hours a day.

## 1. SYMPTOM: THE SPA WILL NOT OPERATE

- a. Check to see if the GFCI breaker is tripped, or was not turned on. Reset the GFCI breaker.

## 2. SYMPTOM: THE CIRCUIT BREAKER OR THE GFCI TRIPS WHILE THE SPA IS OPERATING

- a. Reset the circuit breaker or the GFCI. If the circuit breaker or the GFCI trips again, contact a qualified electrician for service.

## 3. SYMPTOM: THE PUMP HUMS

- a. The filter may be dirty or damaged. Remove the filter housing from the spa jet unit and clean or replace the filter.
- b. The pump may have a foreign object stuck in the impeller. Contact our customer service department or, if your spa is no longer under warranty, you may also contact a local spa and pool service provider.
- c. The pump may have a loose wire connection. Contact our customer service department or, if your spa is no longer under warranty, you may also contact a local spa and pool service provider.

## 4. SYMPTOM: THE PUMP HUMS BUT DOES NOT ROTATE

- a. The pump may be jammed. Contact our customer service department or, if your spa is no longer under warranty, you may also contact a local spa and pool service provider.

## 5. SYMPTOM: THE PUMP IS NOISY WHILE OPERATING

- a. There may be debris in the pump. Contact our customer service department or, if your spa is no longer under warranty, you may also contact a local spa and pool service provider.
- b. The pump may have a bad bearing. Contact our customer service department or, if your spa is no longer under warranty, you may also contact a local spa and pool service provider.

## 6. SYMPTOM: THE WATER DOES NOT HEAT

- a. Make sure that the hydrotherapy spa is fully covered with the spa cover. **The spa cover must be tight for the water to heat.** Set the air control to low. Set the temperature to the desired setting. The water will heat at a rate of 2.0°F (1°C) an hour. If you are using the spa indoors, and the room temperature is maintained at 70°F (21°C), it will take approximately 24 to 36 hours for the water to reach the set temperature.
- b. If you are using the hydrotherapy spa outdoors, it may take longer for the water to heat. See the chart below for the approximate heating time.

<u>Air Temperature</u>	<u>Heating Time</u>
70°F+ (21°C+)	24 to 36 hours
50°F to 70°F (10°C to 21°C)	2 to 3 days
30°F to 50°F (1°C to 10°C)	3 to 4 days

If the water still has not heated after four days, contact our customer service department or, if your spa is no longer under warranty, you may also contact a local spa and pool service provider.

- c. If actual water temperature is lower than the set temperature, and the **Heat On** LED indicator on the console is not lit, contact our customer service department. If your spa is no longer under warranty, contact a local spa and pool service provider.

## 7. SYMPTOM: THE WATER IS NOT BEING CLEANED BY THE FILTER

- a. Check to see if the filter is in place. Clean the filter if it is dirty.
- b. Check the chemical balance of the water. If the pH is incorrect, the sanitizing agents will not function properly.

**8. SYMPTOM: THE WATER PULSATES OR THERE IS MINIMUM WATER FLOW**

- a. Adjust the water level. This usually occurs only when the water level is low. Add water until the thera-jets are covered (see step 4 on page 9).

**9. SYMPTOM: THE WATER LEVEL DROPS**

- a. Some water loss due to evaporation is normal. If rapid water loss occurs, or if you notice wetness on the floor around the hydrotherapy spa, then the spa shell may have a leak. Contact your local spa and pool service provider for repairs.
- b. A clamp or seal inside the pump compartment may be loose. Check inside the pump compartment for excess water, and watch the pump unit while it is operating to see if water drips from any of the plumbing. If you can identify the location of the leak inside the spa jet unit, tighten the clamp or replace the damaged seal.

**10. SYMPTOM: THE SPA CONTINUES TO RUN AFTER IT HAS BEEN SHUT OFF**

- a. To turn the spa jets on, press the Pump button once. To turn the spa jets off, press the control twice. After you press it once, the spa jets will shut off for about 30 seconds, and restart. Press the control again. The spa jets will remain off for three hours, at which time they will begin running the filter cycle. At any time after the spa jets has been shut off, the pump will begin cycling the water if the temperature falls below the minimum setting.

**11. SYMPTOM: NO AIR FLOWS THROUGH THE MULTI-DIRECTIONAL HYDRO-JETS WHEN THE AIR CONTROL IS TURNED COUNTER-CLOCKWISE**

- a. The three multi-directional hydro-jets can be closed and opened by pushing and pulling the nozzles. If no air flows through the jets when the air control is turned counterclockwise, simply pull the nozzles slightly.

# PART LIST—Model No. 831.105021

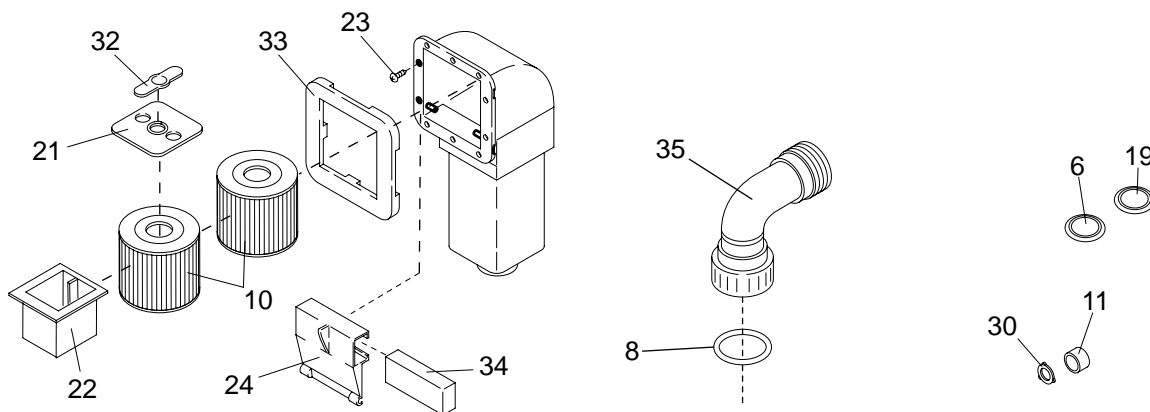
R1200A

Key No.	Qty.	Description	Key No.	Qty.	Description
1	8	Buckle Screw	26	2	Suction Cover
2	4	Buckle	27	3	Rubber Washer
3	4	#8 x 5/8" Screw	28	1	O-ring
4	4	Motor Washer	29	1	Drain Plug
5	4	Rubber Insulator	30	1	Hose Washer
6	1	Blue Lens	31	1	Sensor Fitting Assembly
7	1	Zip Tie	32	1	Diverter Valve
8	2	2" O-Ring	33	1	Trim Plate
9	2	Removable Collar	34	1	Foam, Weir
10	2	Filter Cartridge	35	1	1/2" Plumbing Elbow
11	1	Hose Cap	#	2	Key
12	4	1/4" x 1 1/4" Screw	#	1	Starter Chemical Pack
13	1	Pump Motor	#	1	User's Manual
14	1	Control Unit	#	1	Light Bulb
15	1	Lock Washer	#	1	Pregnancy Warning Sign
16	2	Heater Gasket	#	1	Drowning Warning Sign, English
17	1	Control Knob	#	1	Drowning Warning Sign, French
18	1	Spa Cover	#	1	Ground Wire
19	1	Red Lens	#	1	Water Test Strip
20	3	Multidirectional Jet	#	2	Short Panel
21	1	Diverter	#	2	Long Panel
22	1	Basket	#	4	Corner Panel
23	10	#8 x 1 1/2" Screw	#	32	Panel Screw
24	1	Filter Door	#	1	General Warning Sign
25	2	Cover Screw			

Note: “#” indicates a non-illustrated part. Specifications are subject to change without notice.

# EXPLODED DRAWING—Model No. 831.105021

R1200A





---

# NOTES

---

# NOTES

# ORDERING REPLACEMENT PARTS

To order replacement parts, simply call our Customer Service Department toll-free at SEARS 1-800-4MYHOME (469-4663), or SEARS 1-877-LEFOYER (533-6937) 24 hours a day. To help us assist you, please be prepared to give the following information when calling:

- The MODEL NUMBER of the product (831.105021)
- The NAME of the product (IMAGE® RENEW 510 hydrotherapy spa)
- The SERIAL NUMBER of the product (see the front cover of this manual)
- The KEY NUMBER and DESCRIPTION of the desired part(s) (see the PART LIST and the EXPLODED DRAWING on pages 20 and 21).

## LIMITED FIVE YEAR MASSAGE SPA WARRANTY

ICON Health & Fitness, Inc. (ICON), warrants this product to be free from defects in workmanship and material, under normal use and service conditions, for a period of ninety (90) days from the date of purchase. ICON extends a limited five (5) year warranty on the spa shell structure. ICON also extends a limited two (2) year warranty on the pump and motor. This warranty extends only to the original purchaser. ICON's obligation under this warranty is limited to replacing or repairing, at ICON's option, the product through one of its authorized service centers. All repairs for which warranty claims are made must be pre-authorized by ICON. This warranty does not extend to any product or damage to a product caused by or attributable to freight damage, abuse, misuse, improper or abnormal usage, or repairs not provided by ICON authorized service personnel, to products used for commercial or rental purposes, or to products used as store display models. Specifically excluded are damages caused by or attributable to the following incidents: any damage to the wood exterior resulting from improper maintenance, or any damage to the wood or tile exterior attributable to freight mishandling; damage resulting from improper winterization; damage to the spa shell resulting from improper chemical treatment, damage to the spa shell resulting from exposure to extreme temperatures, or damage to the spa shell resulting from exposure to direct sunlight and ultraviolet rays while the spa is empty; damage to the pump, motor, plumbing, and components due to improper maintenance, chemical treatment, or exposure; damage resulting from failure to properly follow user's manual installation, operating, or maintenance instructions. Also excluded are consumable components, including but not restricted to headrests, filter cartridges, and light bulbs. No other warranty beyond that specifically set forth above is authorized by ICON.

ICON is not responsible or liable for indirect, special or consequential damages arising out of or in connection with the use or performance of the product or damages with respect to any economic loss, loss of or damage to property including water damage, loss of revenues or profits, loss of enjoyment or use, costs of removal, installation or other consequential damages of whatsoever nature. Some states do not allow the exclusion or limitation of incidental or consequential damages. Accordingly, the above limitation may not apply to you.

The warranty extended hereunder is in lieu of any and all other warranties and any implied warranties of merchantability or fitness for a particular purpose is limited in its scope and duration to the terms set forth herein. Some states do not allow limitations on how long an implied warranty lasts. Accordingly, the above limitation may not apply to you.

This warranty gives you specific legal rights. You may also have other rights which vary from state to state.

**ICON HEALTH & FITNESS, INC., 1500 S. 1000 W., LOGAN, UT 84321-9813**



## Free Manuals Download Website

<http://myh66.com>

<http://usermanuals.us>

<http://www.somanuals.com>

<http://www.4manuals.cc>

<http://www.manual-lib.com>

<http://www.404manual.com>

<http://www.luxmanual.com>

<http://aubethermostatmanual.com>

Golf course search by state

<http://golfingnear.com>

Email search by domain

<http://emailbydomain.com>

Auto manuals search

<http://auto.somanuals.com>

TV manuals search

<http://tv.somanuals.com>