

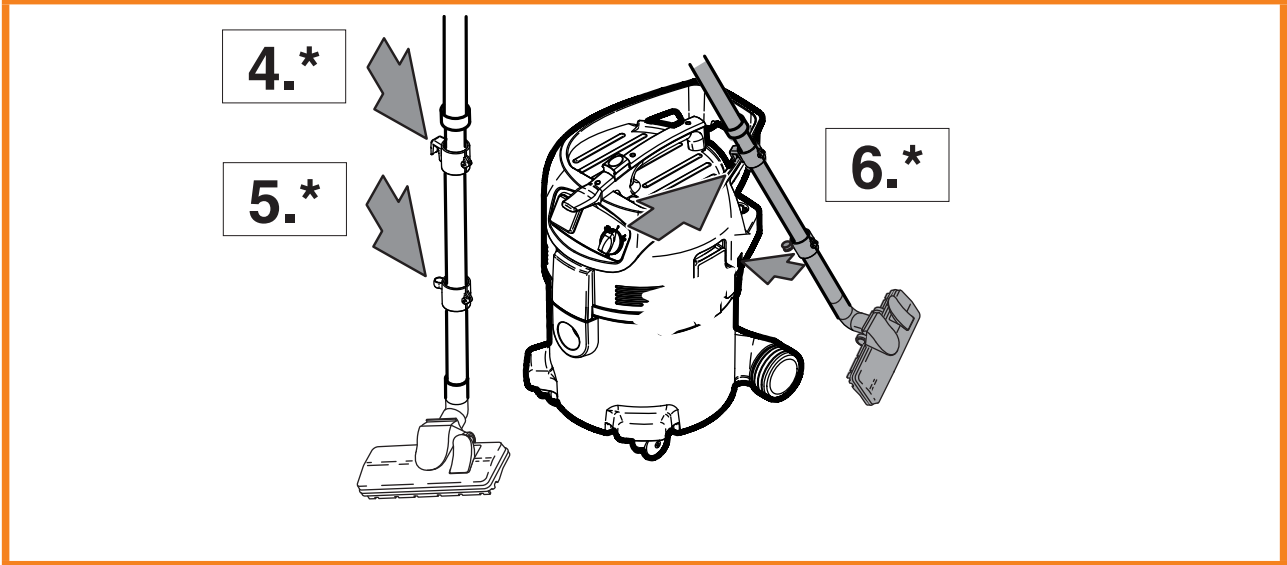
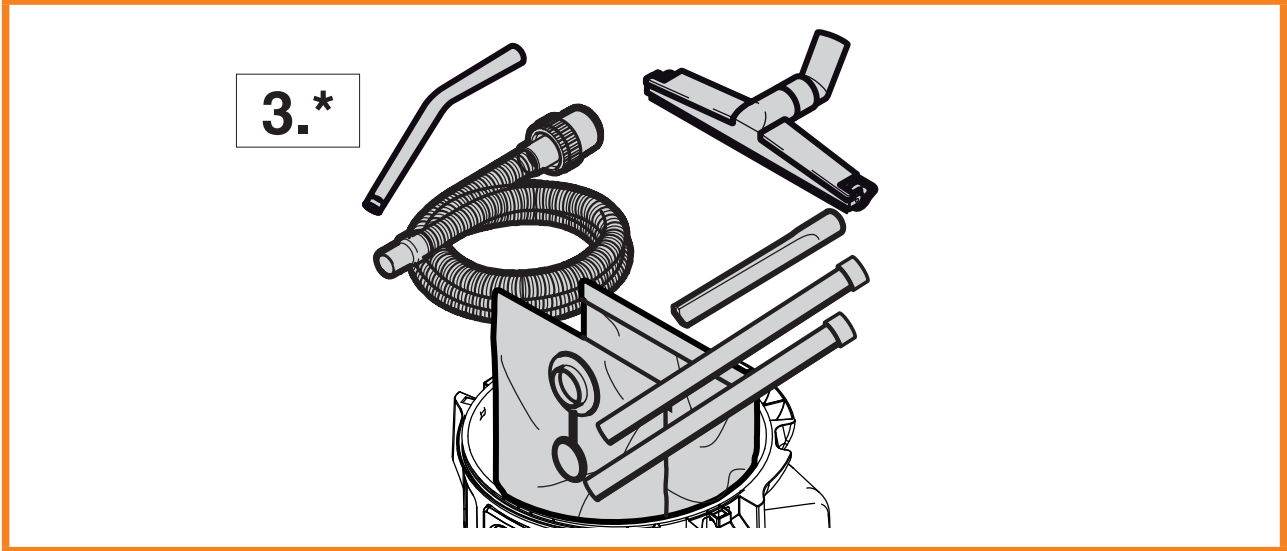
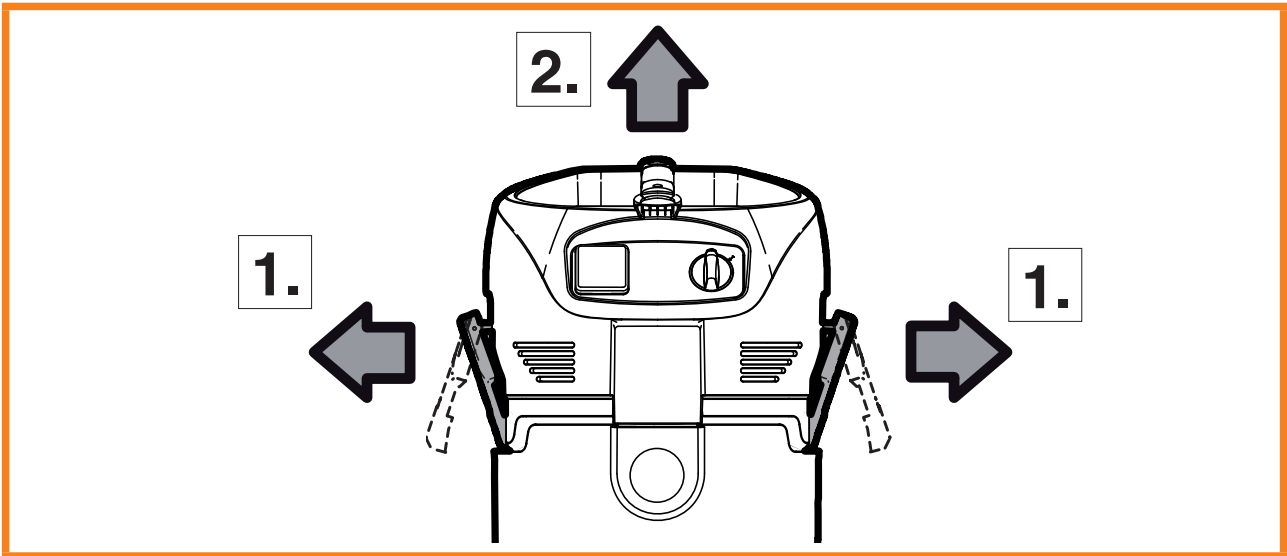
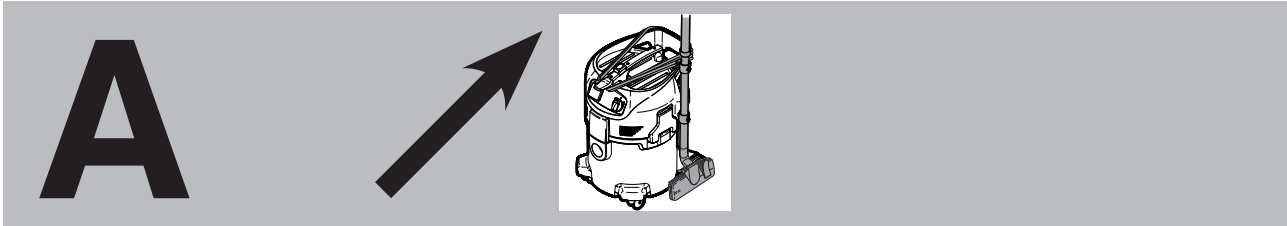


ATTIX 30 / PC / XC
ATTIX 40 / PC / XC
ATTIX 50 / PC / XC
ATTIX 50-21 PC EC

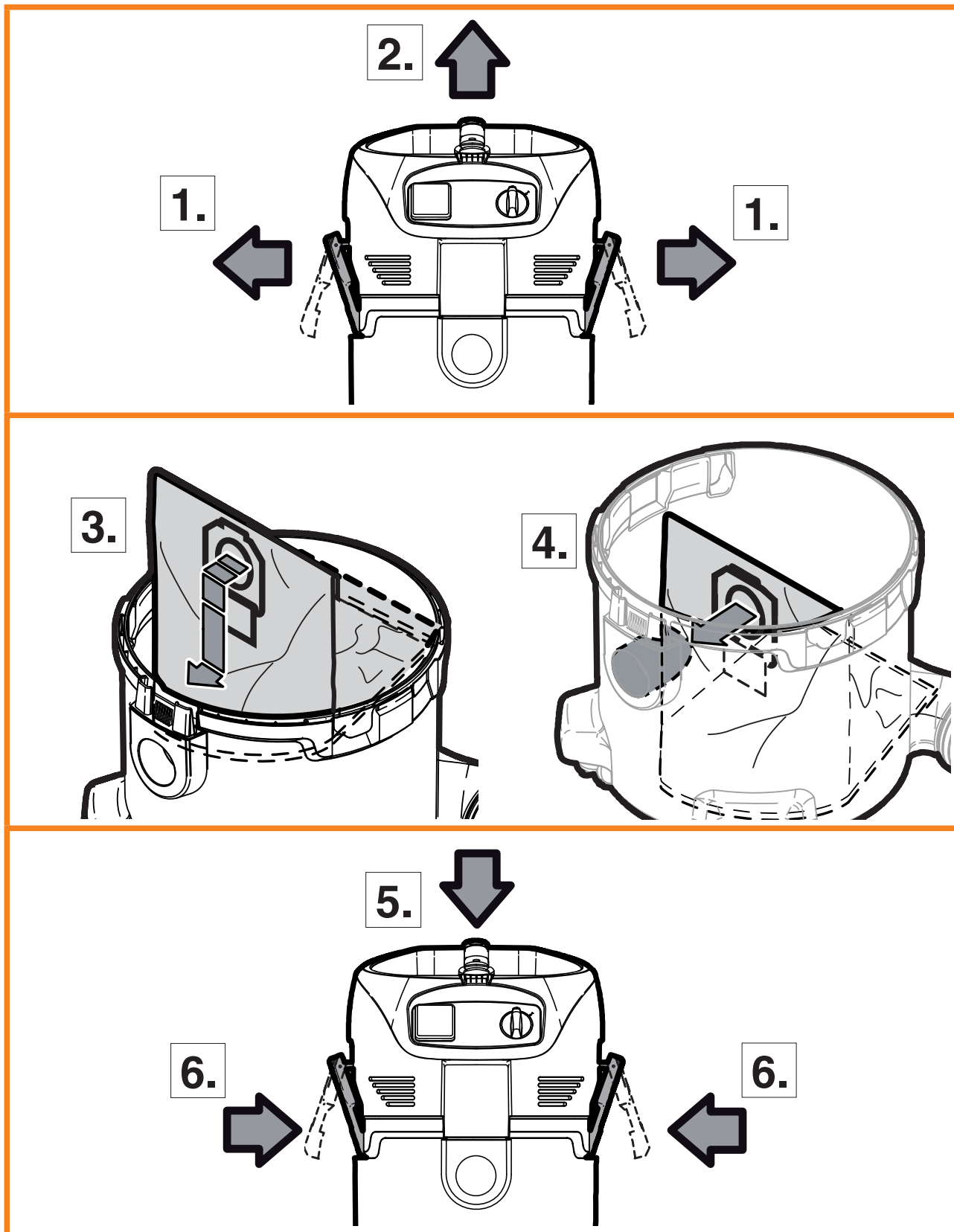
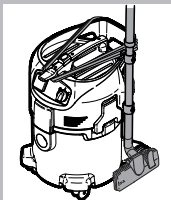
Quick Start Guide

Nilfisk
ALTO
Why Compromise





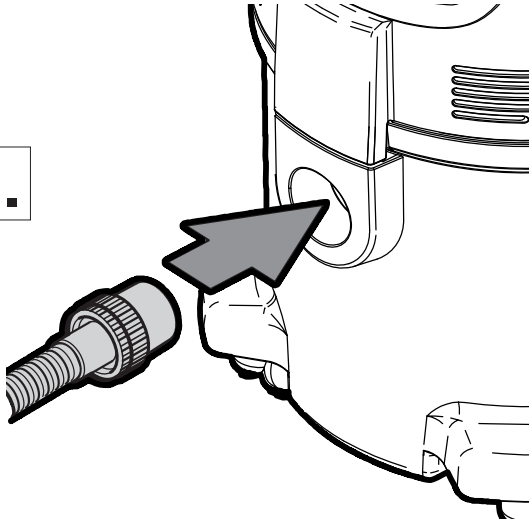
A



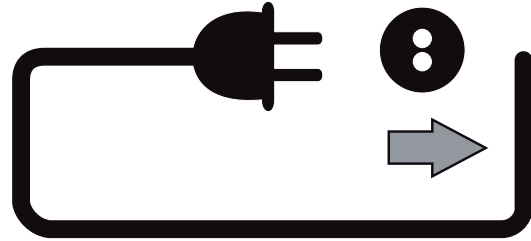
B



1.

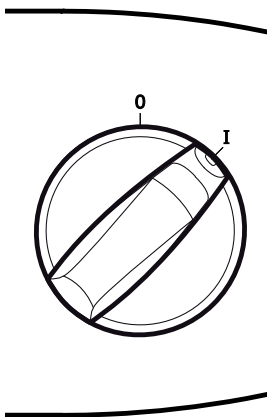


2.

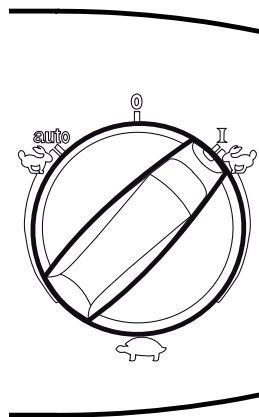


ATTIX 30- / 40- / 50-01
ATTIX 30- / 40- / 50-11

ATTIX 30- / 40- / 50-21

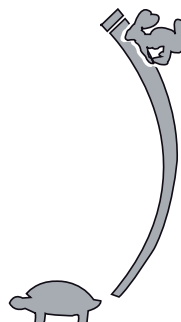
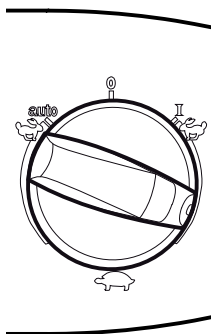


0 = ○
I = ●



0 = ○
I = ●
auto =

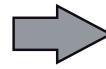
ATTIX 30- / 40- / 50-21



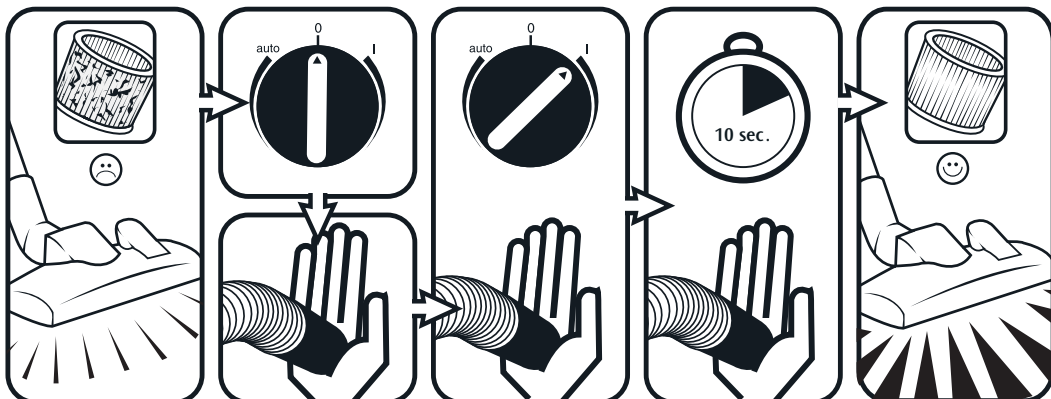
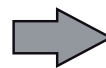
B



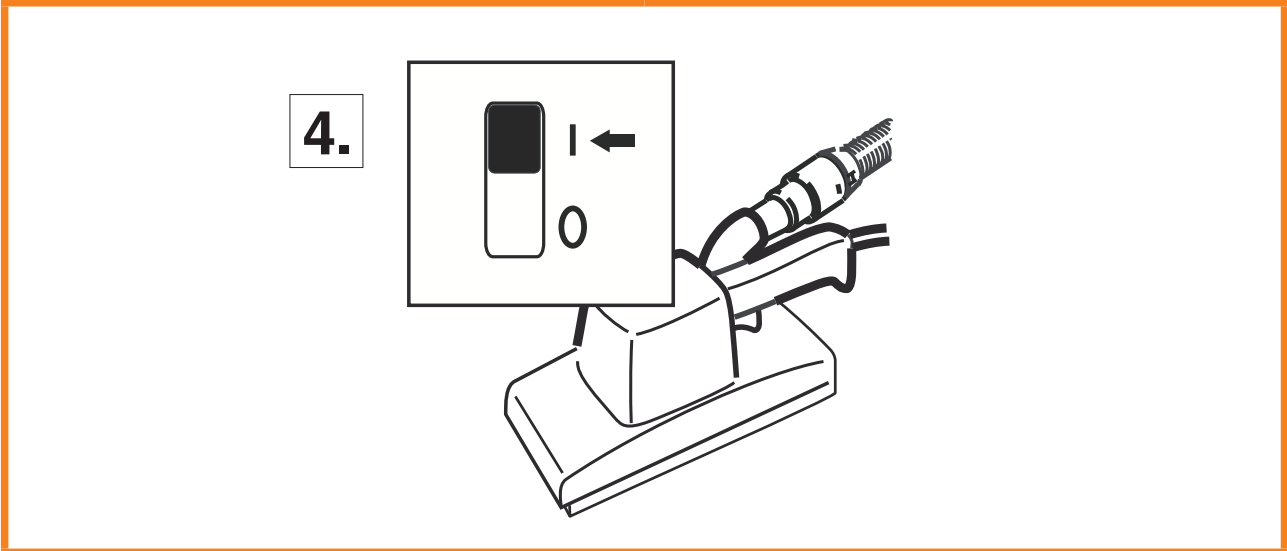
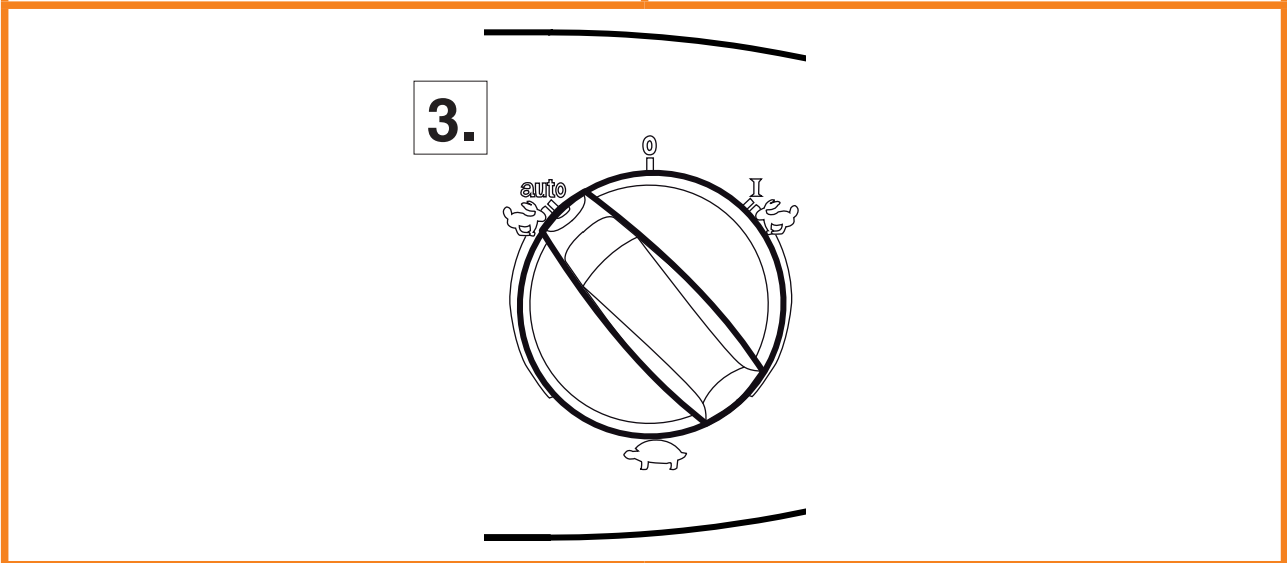
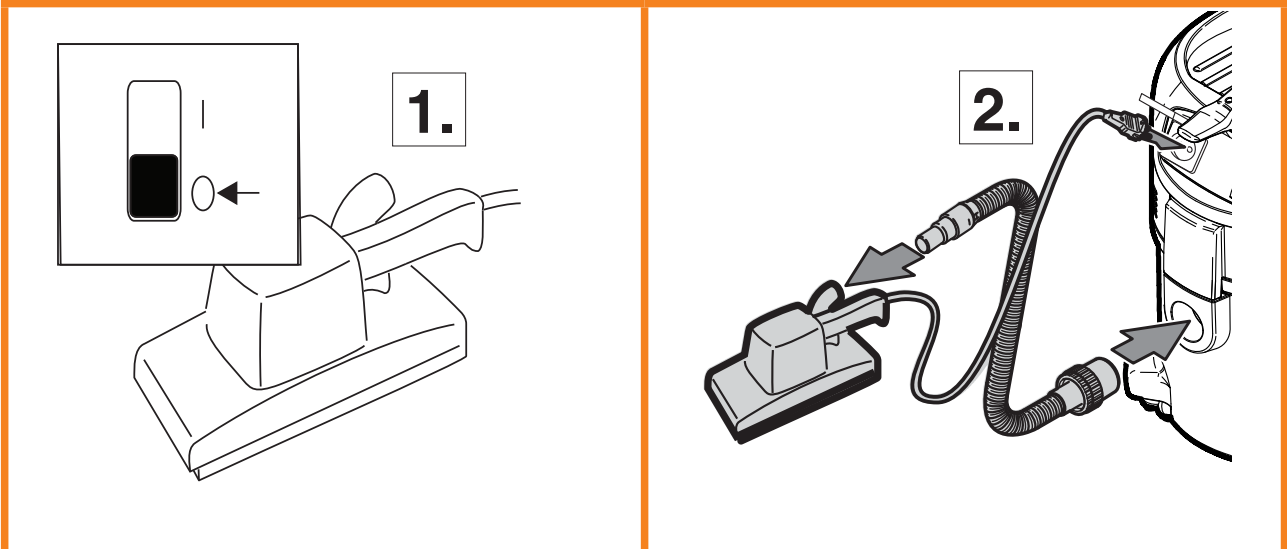
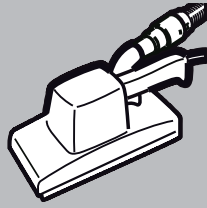
ATTIX 30- / 40- / 50-xx PC



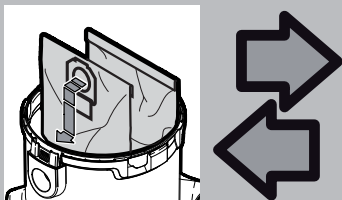
ATTIX 30- / 40- / 50-xx XC



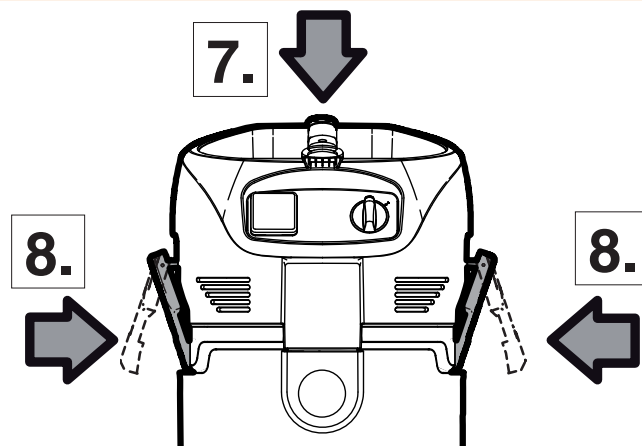
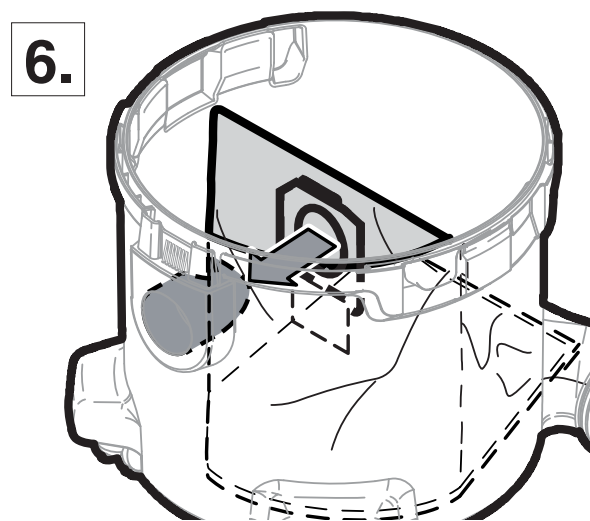
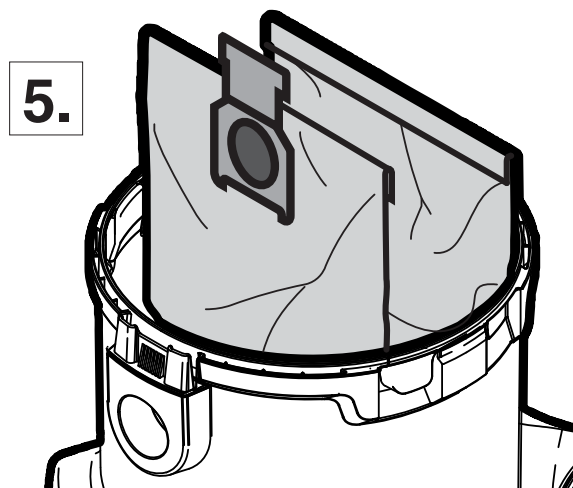
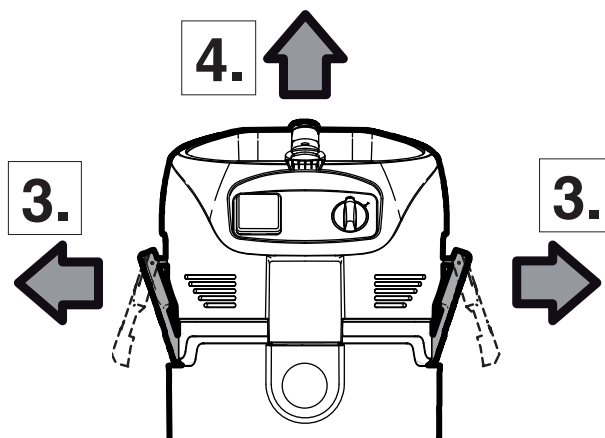
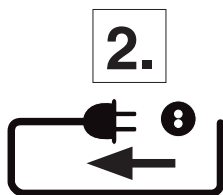
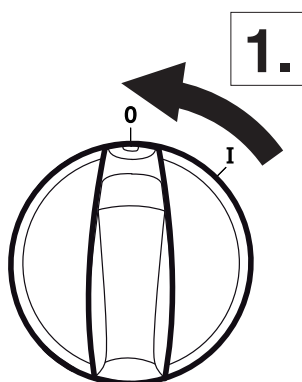
B*



C



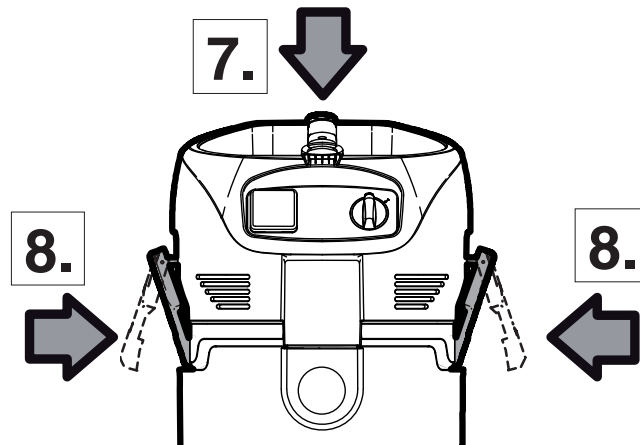
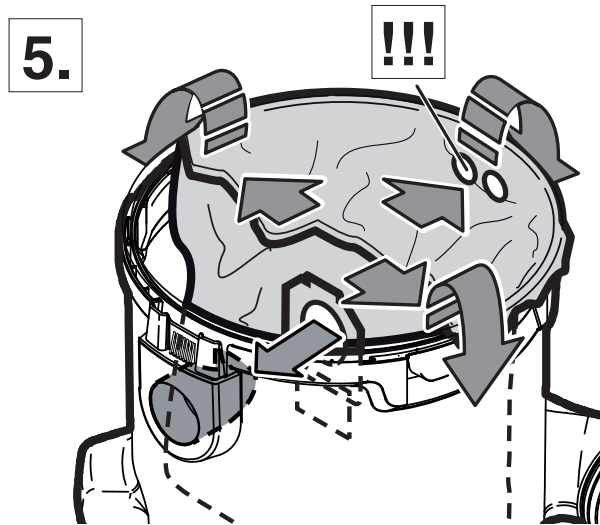
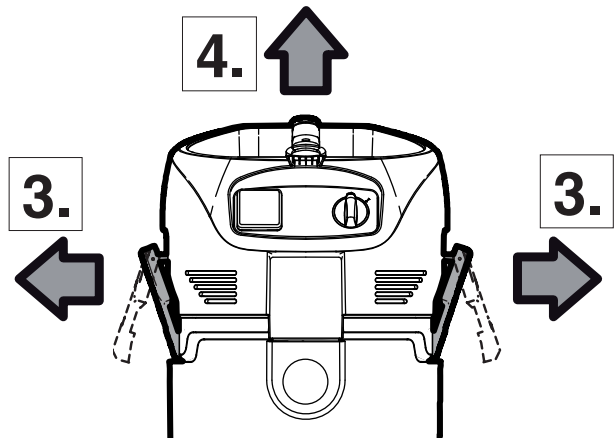
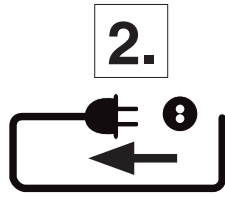
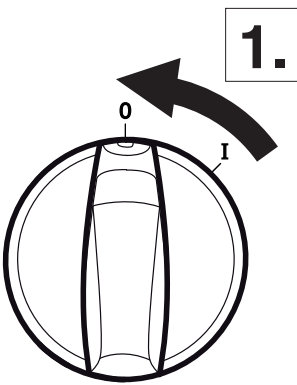
ATTIX 30 / 40 / 50



C



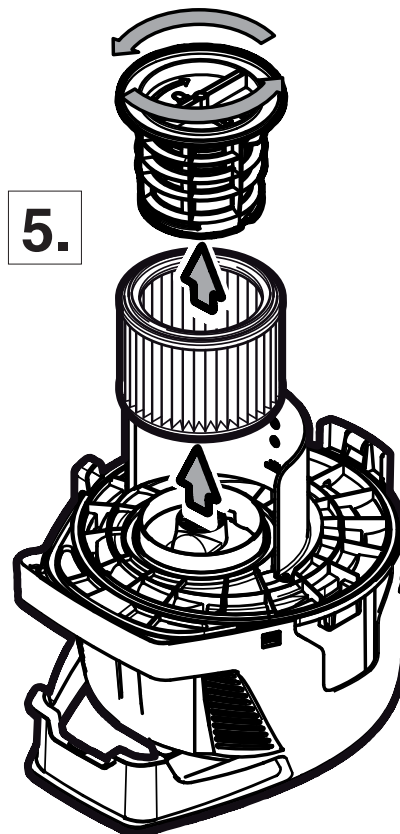
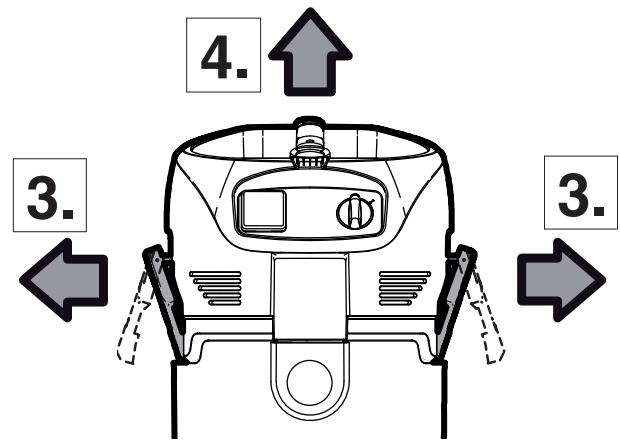
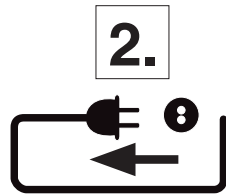
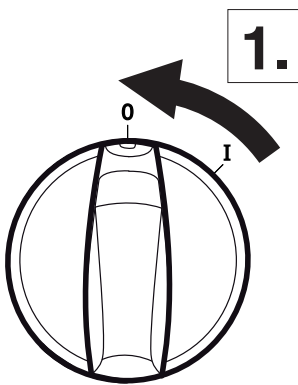
ATTIX 30 / 40 / 50

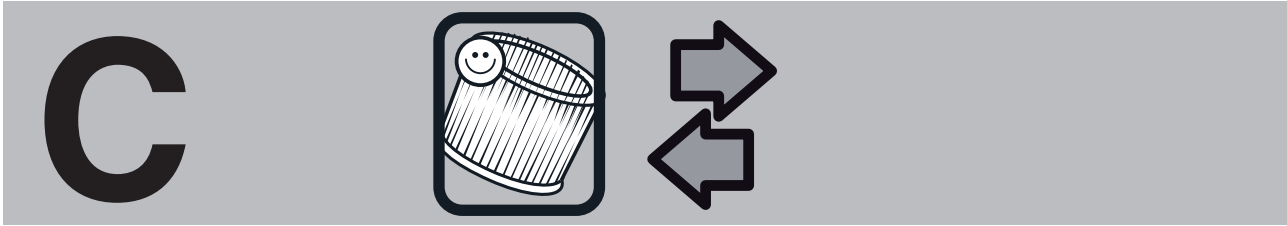


C

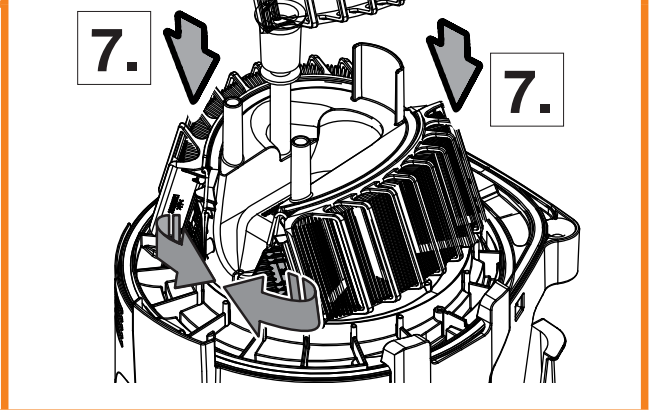
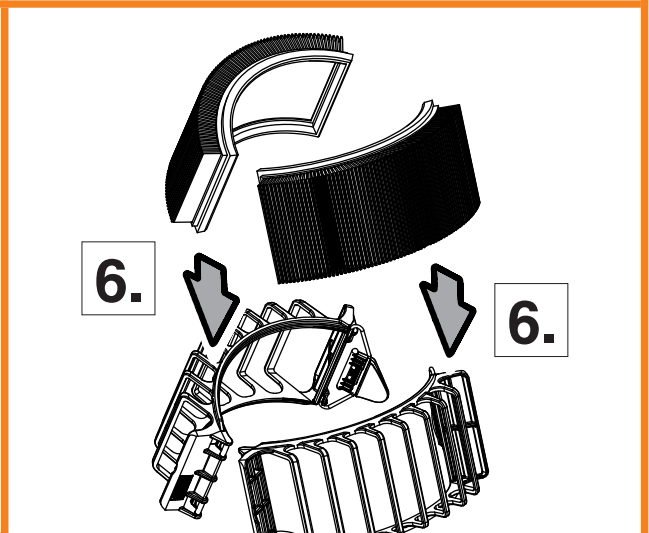
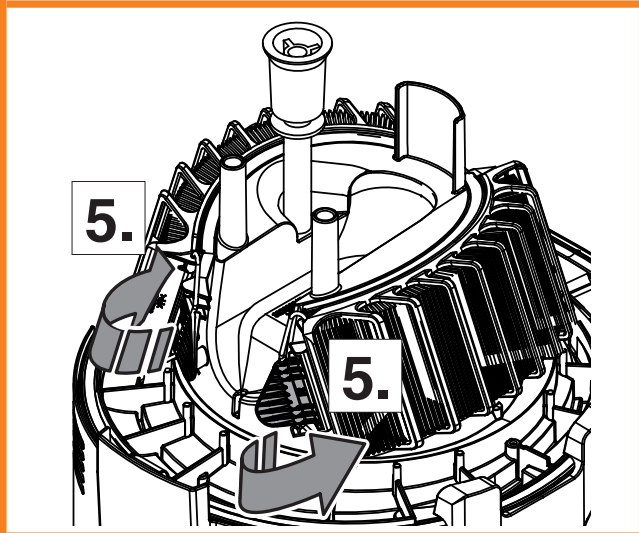
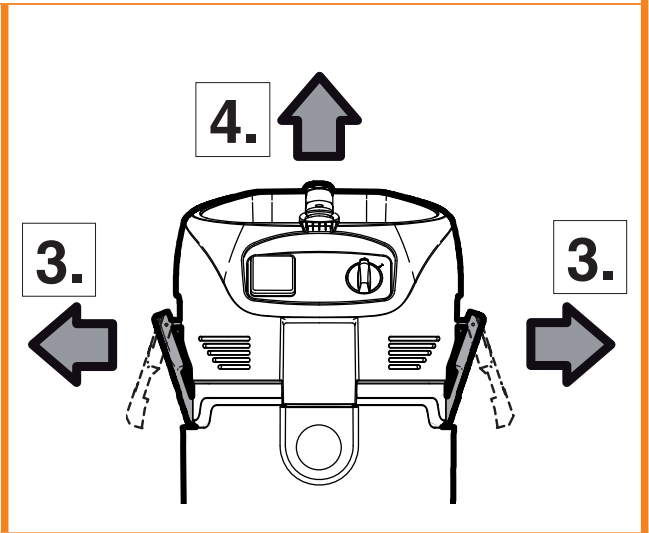
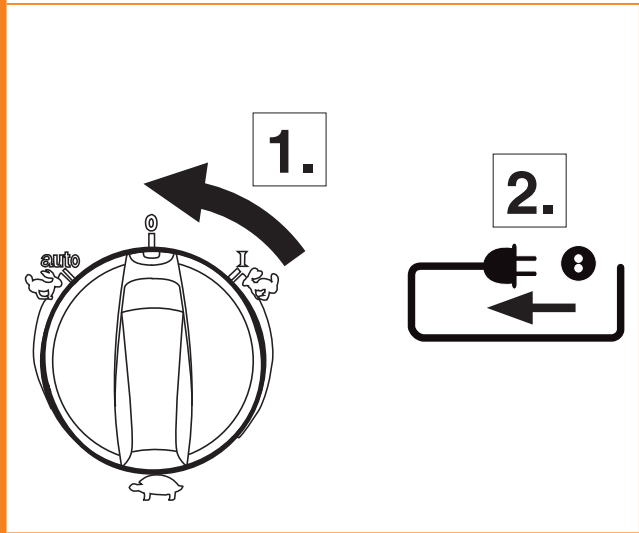


ATTIX 30 / 40 / 50 / STD / PC

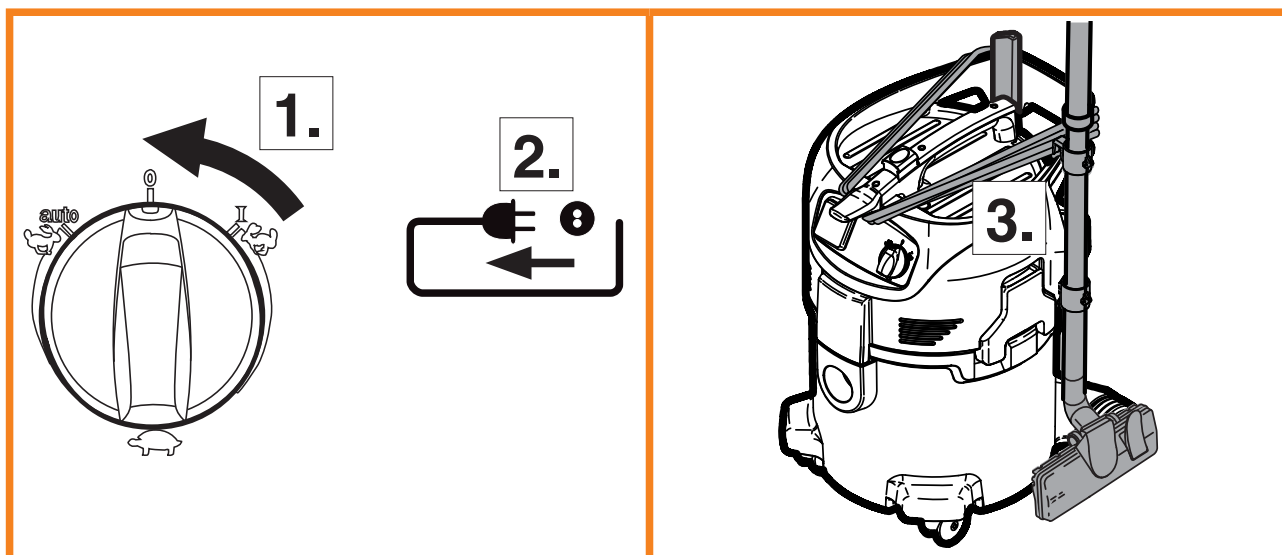
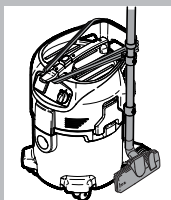




ATTIX 30 / 40 / 50 XC



D



This document

This document contains the safety information relevant for the appliance along with a quick reference guide.



Prior to using the appliance for the first time, be sure to read this document through and keep it ready to hand.

Further support

Detailed information on the appliance can be found in the operating instructions, which you can download from our web site at www.nilfisk-alto.com.

For further queries, please contact the Nilfisk-Alto service representative responsible for your country.

See reverse of this document.

Important safety instructions

Symbols used to mark instructions

	DANGER
	Danger that leads directly to serious or irreversible injuries, or even death.

	WARNING
	Danger that can lead to serious injuries or even death.

	CAUTION
	Danger that can lead to minor injuries and damage.

The appliance must

- only be used by persons, who have been instructed in its correct usage and explicitly commissioned with the task of operating it
- only be operated under supervision
- not be used by children

1. Do not use any unsafe work techniques.
2. Never use the vacuum cleaner without a filter.
3. Switch off the appliance and disconnect the mains plug in the following situations:

- Prior to cleaning and servicing
- Prior to replacing components
- Prior to changing over the appliance
- If foam develops or liquid emerges

Besides the operating instructions and the binding accident prevention regulations valid in the country of use, observe recognised regulations for safety and proper use.

Purpose and intended use

The appliance is suitable for picking up dry, non-flammable dust and liquids.

The appliance is suitable for commercial use, such as e.g. in

- Hotels, Schools, Hospitals, Factories, Shops, Offices, Hire shops

Any other use is considered as improper use. The manufacturer accepts no liability for any damage resulting from such use. The risk for such use is borne solely by the user. Proper use also includes proper operation, servicing and repairs as specified by the manufacturer. See operating instructions.

Transport

1. Before transporting the dirt tank, close all the locks.
2. Do not tilt the cleaner if there is liquid in the dirt tank.
3. Do not use a crane hook to lift the cleaner.

Storage

1. Store the appliance in a dry place, protected from frost.

Electrical connection

1. It is recommended that the vacuum cleaner should be connected via a residual current circuit breaker.
2. Arrange the electrical parts (sockets, plugs and couplings) and lay down the extension lead so that the protection class is maintained.
3. Connectors and couplings of power supply cords and extension leads must be watertight.

Extension lead

1. As an extension lead, only use the version specified by the manufacturer or one of a higher quality. See operating instructions.

2. When using an extension lead, check the minimum cross-sections of the cable:

Cable length	Cross section	
	< 16 A	< 25 A
up to 20 m	1.5 mm ²	2.5 mm ²
20 to 50 m	2.5 mm ²	4.0 mm ²

Warranty




Our general conditions of business are applicable with regard to the guarantee. Unauthorised modifications to the appliance, the use of incorrect brushes in addition to using the appliance in a way other than for the intended purpose exempt the manufacturer from any liability for the resulting damage.

Tests and approvals


Electrical tests must be performed in accordance with the provisions of safety regulations (BGV A3) and to DIN VDE 0701 Part 1 and Part 3. In accordance with DIN VDE 0702 these tests must be performed at regular intervals and after repairs or modifications.

Risks


Electrical components

	DANGER
	<p>Electric shock due to faulty mains connecting lead.</p> <p>Touching a faulty mains connecting lead can result in serious or even fatal injuries.</p> <ol style="list-style-type: none"> 1. Do not damage the mains power lead (e.g. by driving over it, pulling or crushing it). 2. Regularly check whether the power cord is damaged or shows signs of ageing. 3. Have the faulty mains connecting lead replaced by your Nilfisk-Alto service representative or a qualified electrician prior to using the appliance again.
	DANGER
	<p>The upper section of the vacuum cleaner contains live components. Contact with live components leads to serious or even fatal injuries.</p> <ol style="list-style-type: none"> 1. Never spray water on to the upper section of the vacuum cleaner.
	CAUTION
	<p>Appliance socket^{*)}.</p> <p>The appliance socket is only designed for the purposes defined in the operating instructions. The connection of different appliances can result in damage.</p> <ol style="list-style-type: none"> 1. Prior to plugging in an appliance, always switch off the vacuum cleaner and the appliance that is to be connected. 2. Read the operating instructions to the appliance to be connected and observe the safety notes contained in these.


*) Optional accessories / option

CAUTION	
	<p>Damage due to unsuitable mains voltage.</p> <p>The appliance can be damaged as a result of being connected to an unsuitable mains voltage.</p> <ol style="list-style-type: none"> 1. Ensure that the voltage shown on the rating plate corresponds to the voltage of the local mains power supply.


Picking up liquids

CAUTION	
	<p>Picking up liquids.</p> <p>Do not pick up flammable liquids.</p> <ol style="list-style-type: none"> 1. Before liquids are picked up, always remove the filter bag/waste bag and check that the float or the water level limit works properly. 2. The use of a separate filter element or filter screen is recommended. 3. If foam appears, stop work immediately and empty the tank.


Hazardous materials

WARNING	
	<p>Hazardous materials.</p> <p>Vacuuming up hazardous materials can lead to serious or even fatal injuries</p> <ol style="list-style-type: none"> 1. The following materials must not be picked up by the vacuum cleaner: <ul style="list-style-type: none"> - hazardous dust - hot materials (burning cigarettes, hot ash, etc.) - flammable, explosive, aggressive liquids (e.g. petrol, solvents, acids, alkalis, etc.) - flammable, explosive dust (e.g. magnesium or aluminium dust, etc.)

Spare parts and accessories

CAUTION	
	<p>Spare parts and accessories.</p> <p>The use of non-genuine spare parts and accessories can impair the safety of the appliance.</p> <ol style="list-style-type: none"> 1. Only use spare parts and accessories from Nilfisk-Alto. 2. Use only the brushes supplied with the vacuum cleaner or specified in the operating manual.

Emptying dirt tank

CAUTION	
	<p>Picking up environmentally hazardous materials.</p> <p>Materials picked up can present a hazard to the environment.</p> <ol style="list-style-type: none"> 1. Dispose of the dirt in accordance with legal regulations.

Recycling the cleaner

Make the old cleaner unusable immediately.

1. Unplug the cleaner.
2. Cut the power cord.
3. Do not discard of electrical appliances with household waste.



As specified in European Directive 2002/96/EC on old electrical and electronic appliances, used electrical goods must be collected separately and recycled ecologically. Contact your local authorities or your nearest dealer for further information.

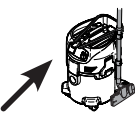

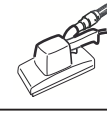


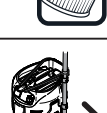
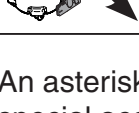
Quick reference guide

Pages 2 – 12 feature a pictorial quick reference guide, which is designed to help you when starting up, operating and storing the appliance.

This quick reference guide does not replace the separate operating instructions, which describes the appliance in detail. The operating instructions also contain further information on the operation, maintenance and repair of the appliance.

Meaning of the symbols



The instructions for actions are subdivided into 7 sections, which are represented by symbols.

	A Before starting
	B Control / Operation
	B Connecting electrical appliances
	C Replacement of filter bag
	C Replacement of disposal bag
	C Replacement of filter element
	D After finishing work

An asterisk (*) indicates a model variant or special accessories.

Check whether your appliance is equipped with the control elements or special accessories depicted. If not, please proceed to the next action.

		ATTIX 30 / 40 / 50							50-21 PC EC
		EU	CH / DK	GB 230	GB 110V	FR	AU/NZ	ZA	EU
Voltage	V	230			110	230	230/240	230	230
Mains frequency	Hz	50/60			50/60	50	50	50	50/60
Fuse	A	16	10	13	16	16	16	13	16
Power consumption _{IEC}	W	1200			1000	1200			1100
Type of protection (splash water protected)		IPX4							
Sound pressure level at a distance of 1m, EN 60704-1	dB(A)	62 ± 2							
Working sound pressure level	dB(A)	59 ± 2							

	EC conformity declaration
NILFISK-ADVANCE A/S Sognevej 25 DK-2605 Brøndby	
Product:	Vacuum cleaner for wet and dry operation
Model:	ATTIX 30 / 40 / 50
Description:	110/230-240 V~, 50/60 Hz
The design of the machine complies with the following regulations:	EC Machine Directive 2006/42/EC EC Low Voltage Directive 2006/95/EC EC EMC Directive 2004/108/EC
Harmonized standards:	EN ISO 12100-1, EN ISO 12100-2 EN 60335-1 EN 60335-2-69 EN 55014-1, EN 55014-2, EN 61000-3-2
National standards and technical specifications:	DIN EN 60335-1 DIN EN 60335-2-69
 Anton Sørensen General Manager EAPC Technical Operations	Brøndby 2008

Free Manuals Download Website

<http://myh66.com>

<http://usermanuals.us>

<http://www.somanuals.com>

<http://www.4manuals.cc>

<http://www.manual-lib.com>

<http://www.404manual.com>

<http://www.luxmanual.com>

<http://aubethermostatmanual.com>

Golf course search by state

<http://golfingnear.com>

Email search by domain

<http://emailbydomain.com>

Auto manuals search

<http://auto.somanuals.com>

TV manuals search

<http://tv.somanuals.com>